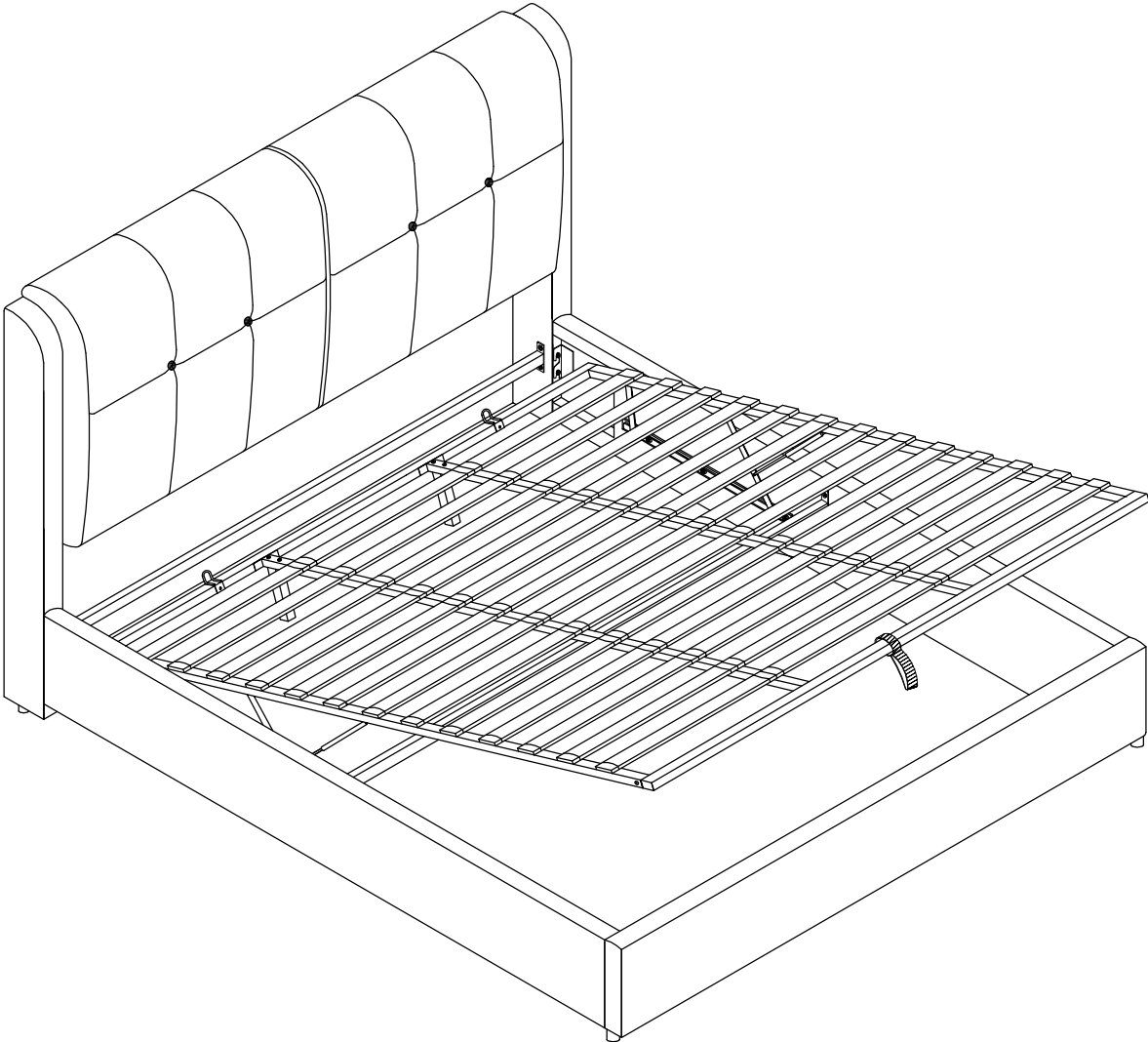
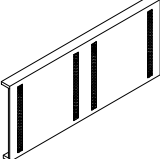
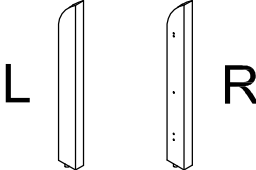
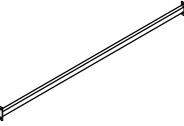
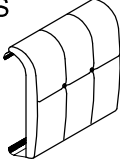
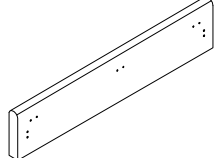
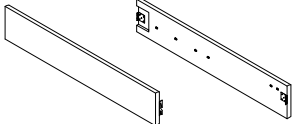
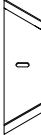
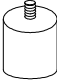
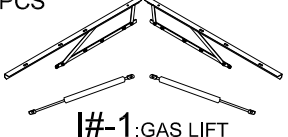
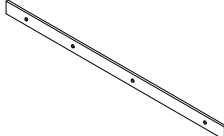
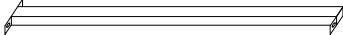
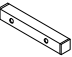
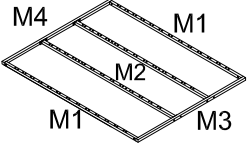

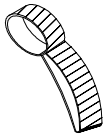
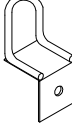
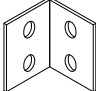
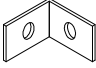
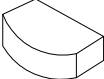
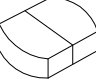
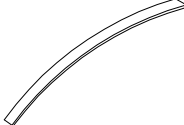



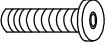

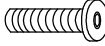
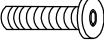
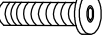







ASSEMBLY DIAGRAM




Parts List


| | | | |
|---|---|--|--|
| A:HEADBOARD 1PC  | B:HB LEG 2PCS  | C:HB SUPPORT RAIL 1PC  | D:HB BACK CUSHION 2PCS  |
| E:FOOTBOARD 1PC  | F:SIDE RAIL 2PCS LEFT AND RIGHT  | G:CORNER BRACKET 2PCS  | H : FEET 2PCS  |
| I:HINGES LEFT AND RIGHT 2PCS  I#-1:GAS LIFT | J : SIDEBAR 2PCS  | K : CROSS BAR 1PC  | L:SUPPORT BLOCK 1PC  |
| M: FRAME KD 1SETS  | N: SUPPORT LEG 2PCS  | O : 1PC  | P:ANGLE IRON 2PCS  |
| Q : ANGLE IRON 2PCS  | R : ANGLE IRON 2PCS  | S:SLAT CAP 26PCS  | T:DOUBLE PLASTIC CAP 26PCS  |
| U:SLAT 39PCS  | V : NON-WOVEN BED BASE 1PC  | | |

Hardware List


| | | | | | |
|--|--|--|--|---|---|
| 1:BOLT 20PCS  M8X50mm | 2:BOLT 12PCS  M8X30mm | 3:BOLT 10PCS  M6X50mm | 4:BOLT 12PCS  M6X15mm | 5:BOLT 12PCS  M6X25mm | 6:NUT 18PCS  |
| 7:FLAT WASHER 32PCS  M8 | 8:SPRING WASHER 32PCS  M8 | 9:ALLEN KEY 1PC  M8 | 10:SPANNER 1PC  | 11:FLAT WASHER 34PCS  M6 | 12:ALLEN KEY 1PC  M6 |

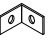
STEP 1

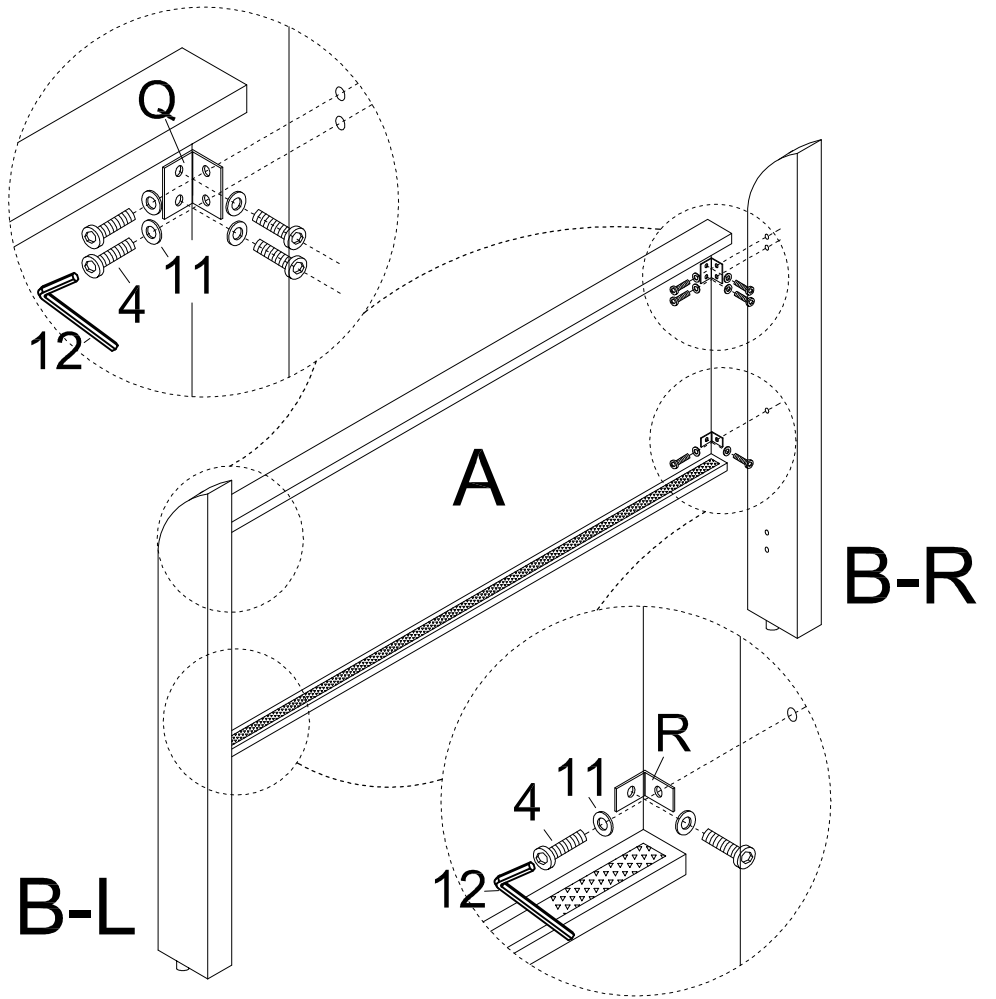
4  12PCS

11  12PCS


12  1PC


Q  2PCS

R  2PCS




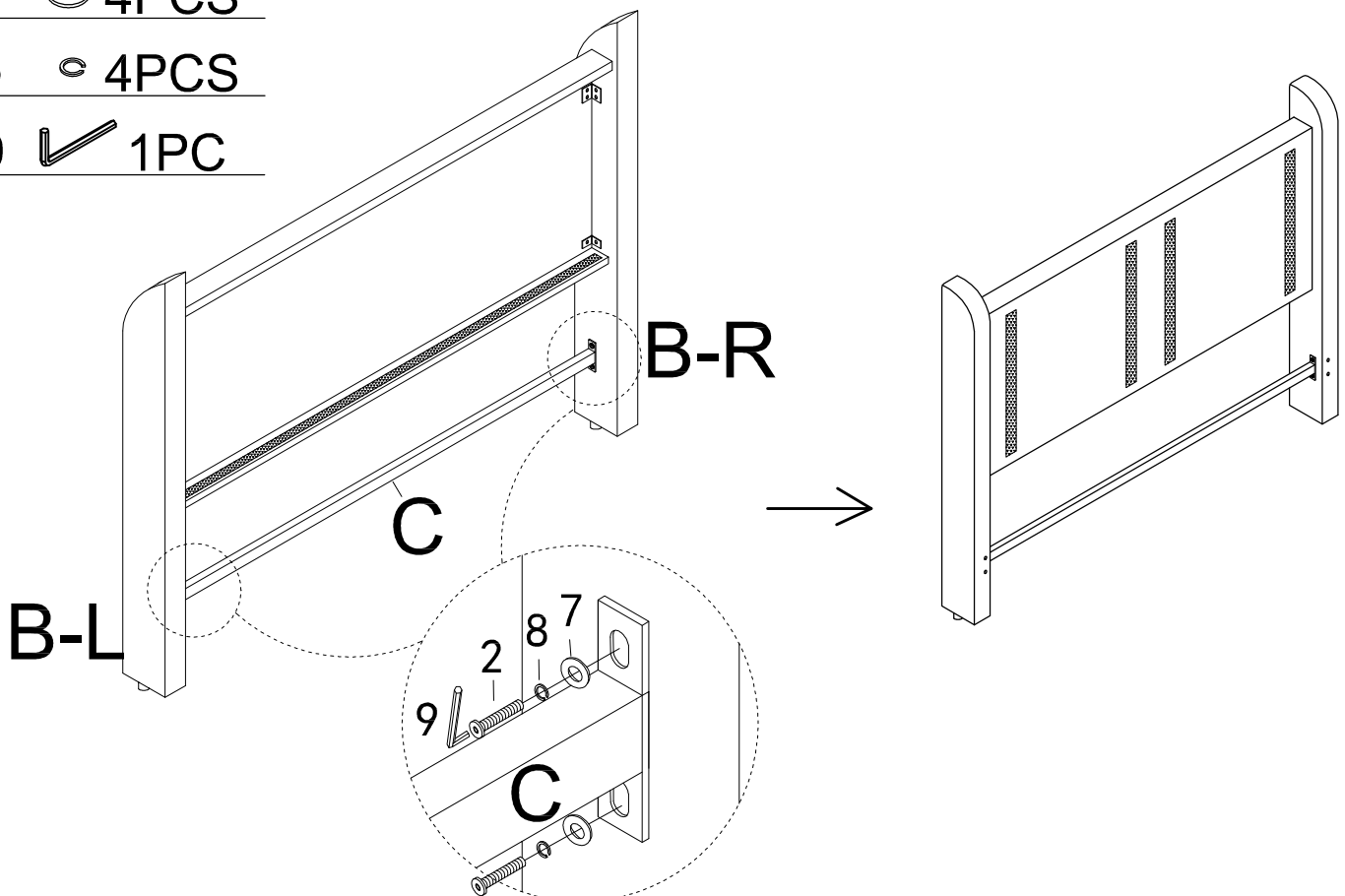
STEP 2

2  4PCS


7  4PCS

8  4PCS


9  1PC





STEP 3


2  8PCS


7  8PCS


8  8PCS

9  1PC

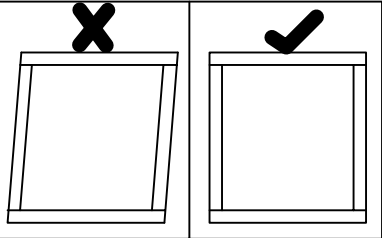
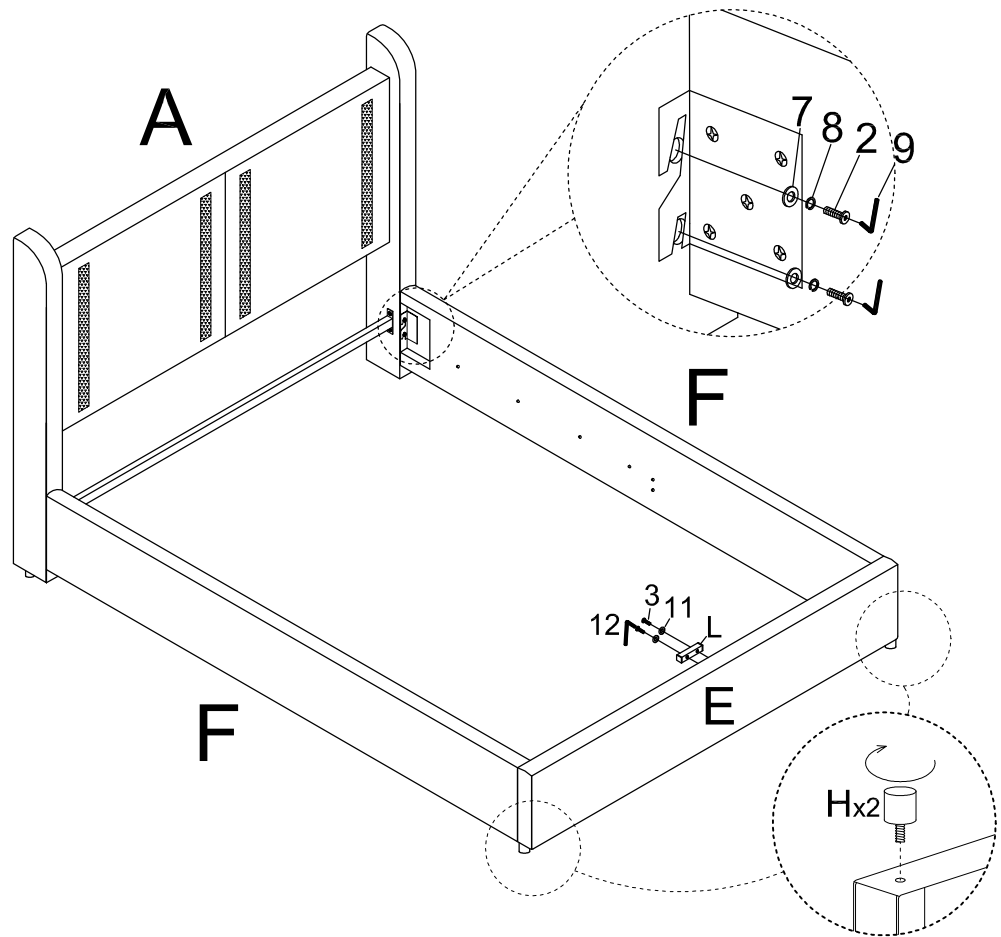
3  2PCS

11  2PCS

12  1PC

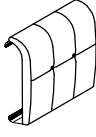
L  1PC

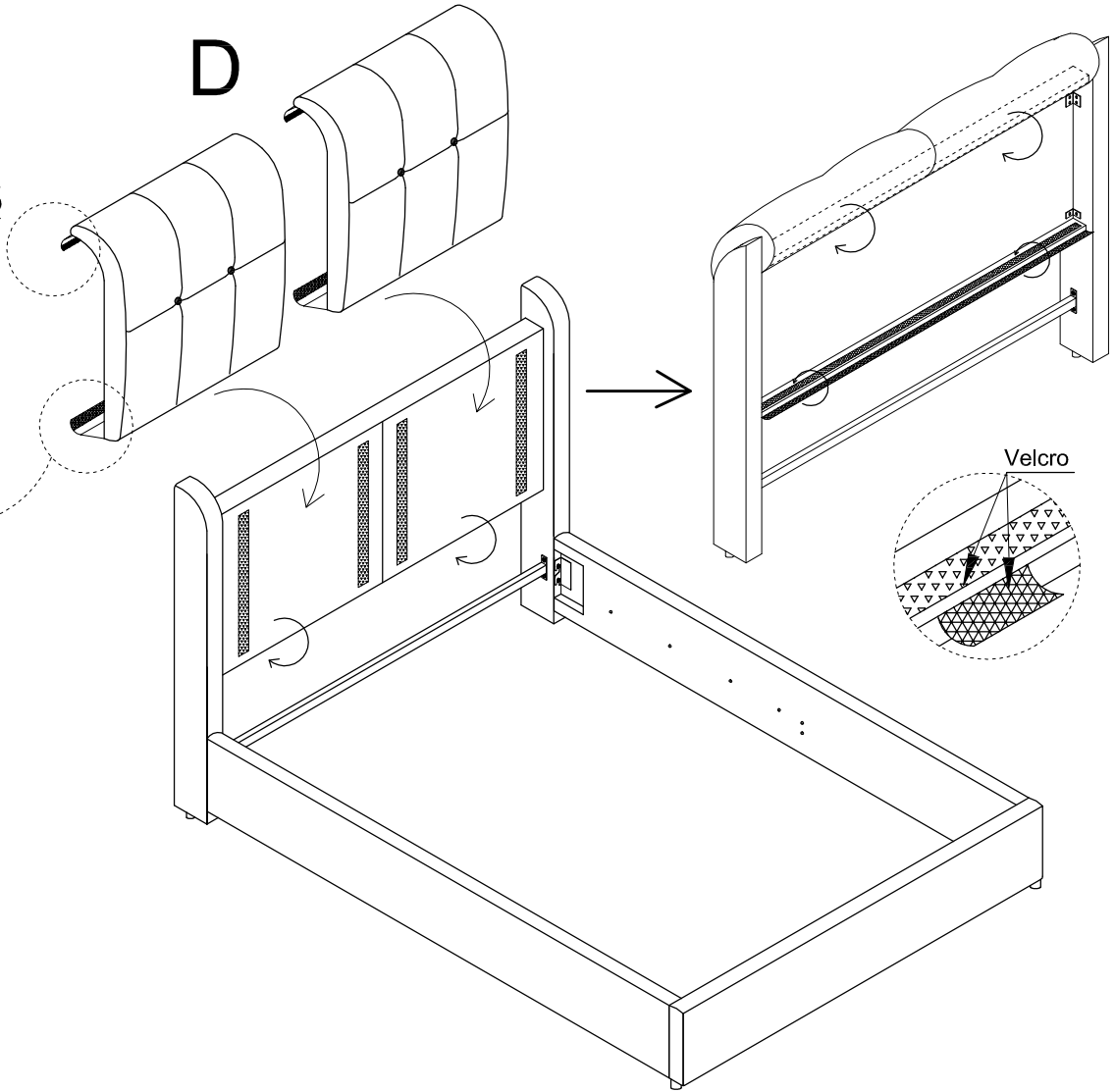
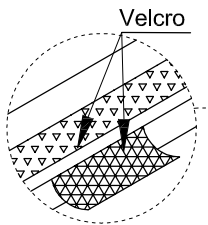
H  2PCS



Note: Ensure that footboard, headboard and side rails are square.

STEP 4

D  2PCS




STEP 5

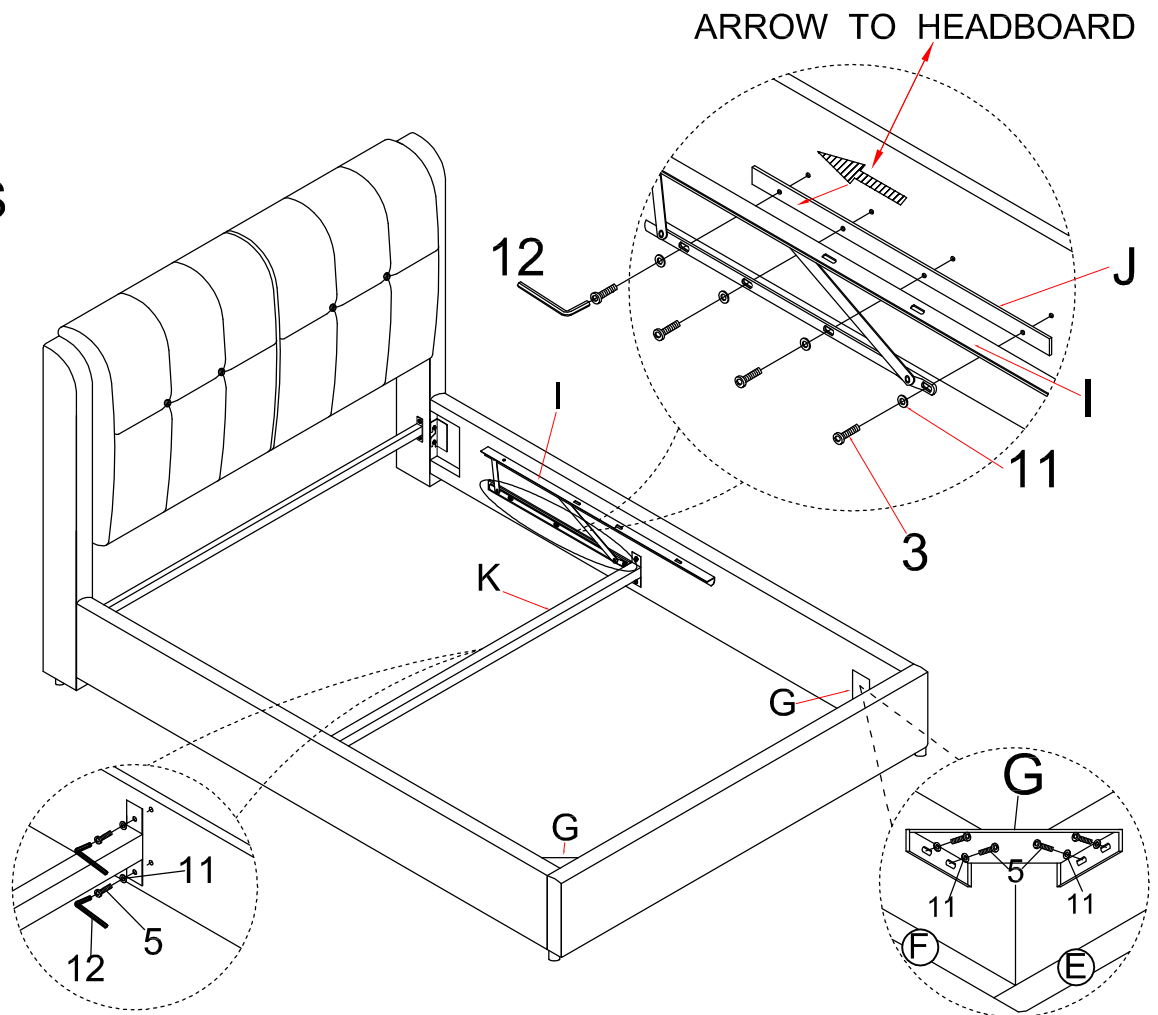
3  8PCS

5  12PCS

11  20PCS

G  2PCS

12  1PC




STEP 6

1  14PCS

7  14PCS

8  14PCS

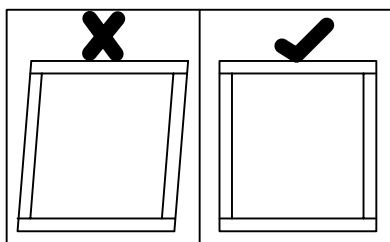
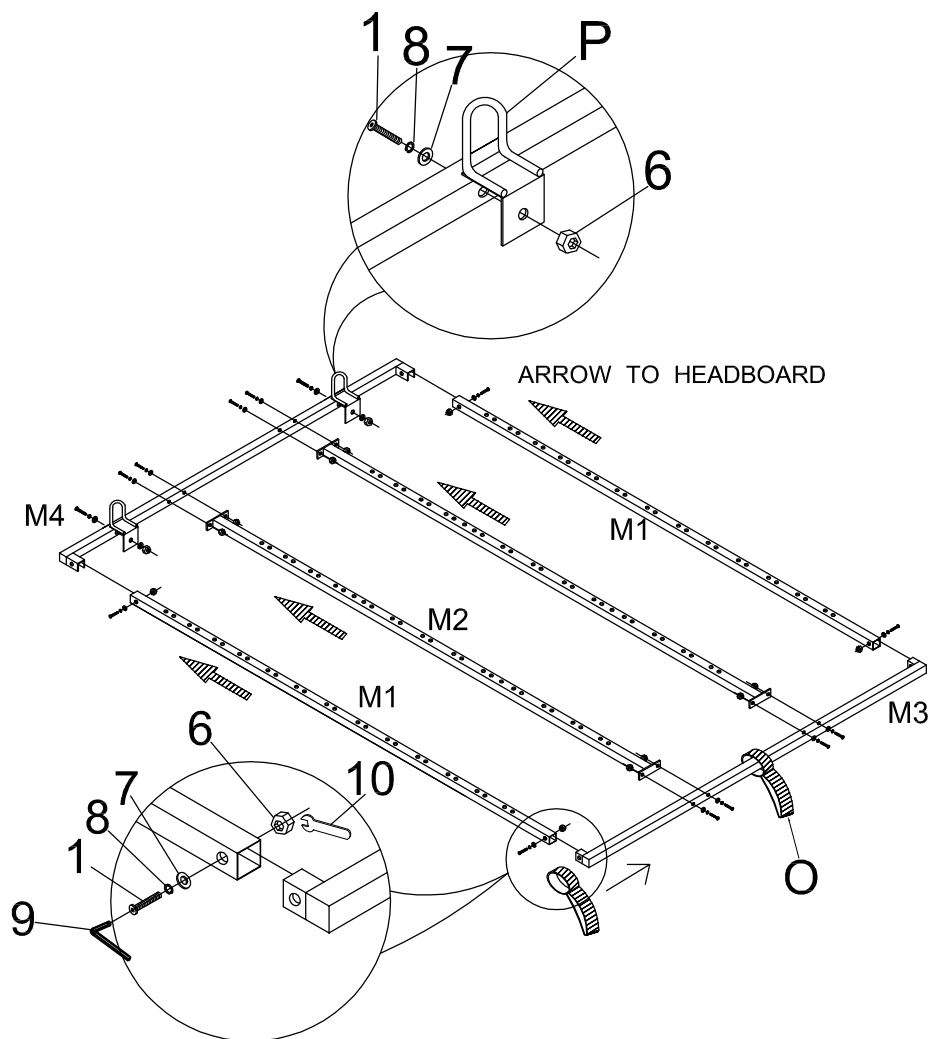
6  14PCS

9  1PC

10  1PC


P  2PCS

O  1PC




Note: Ensure that Frame assembly s are square.

STEP 7


1  6PCS

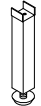
7  6PCS

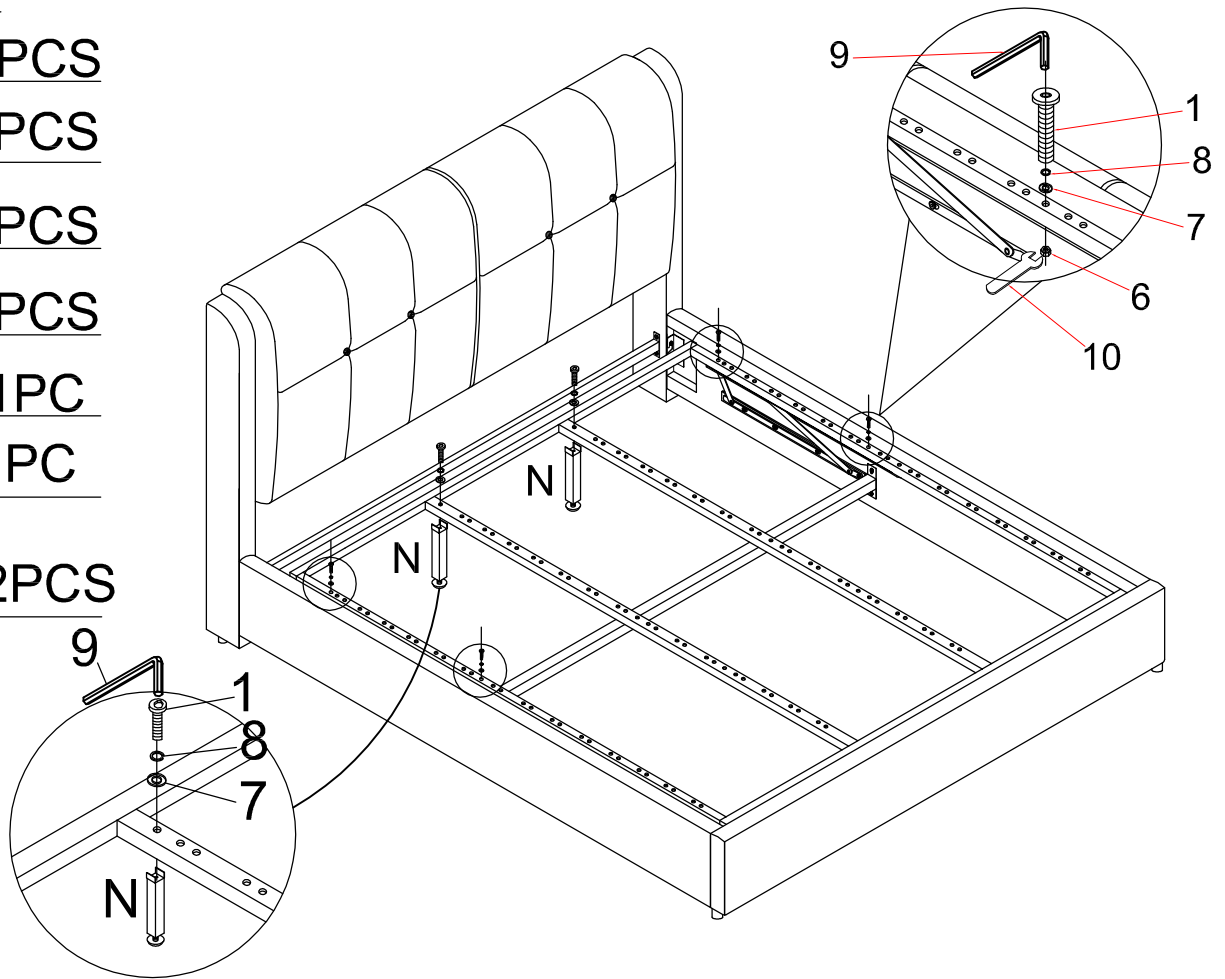
8  6PCS

6  4PCS


9  1PC

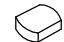
10  1PC

N  2PCS

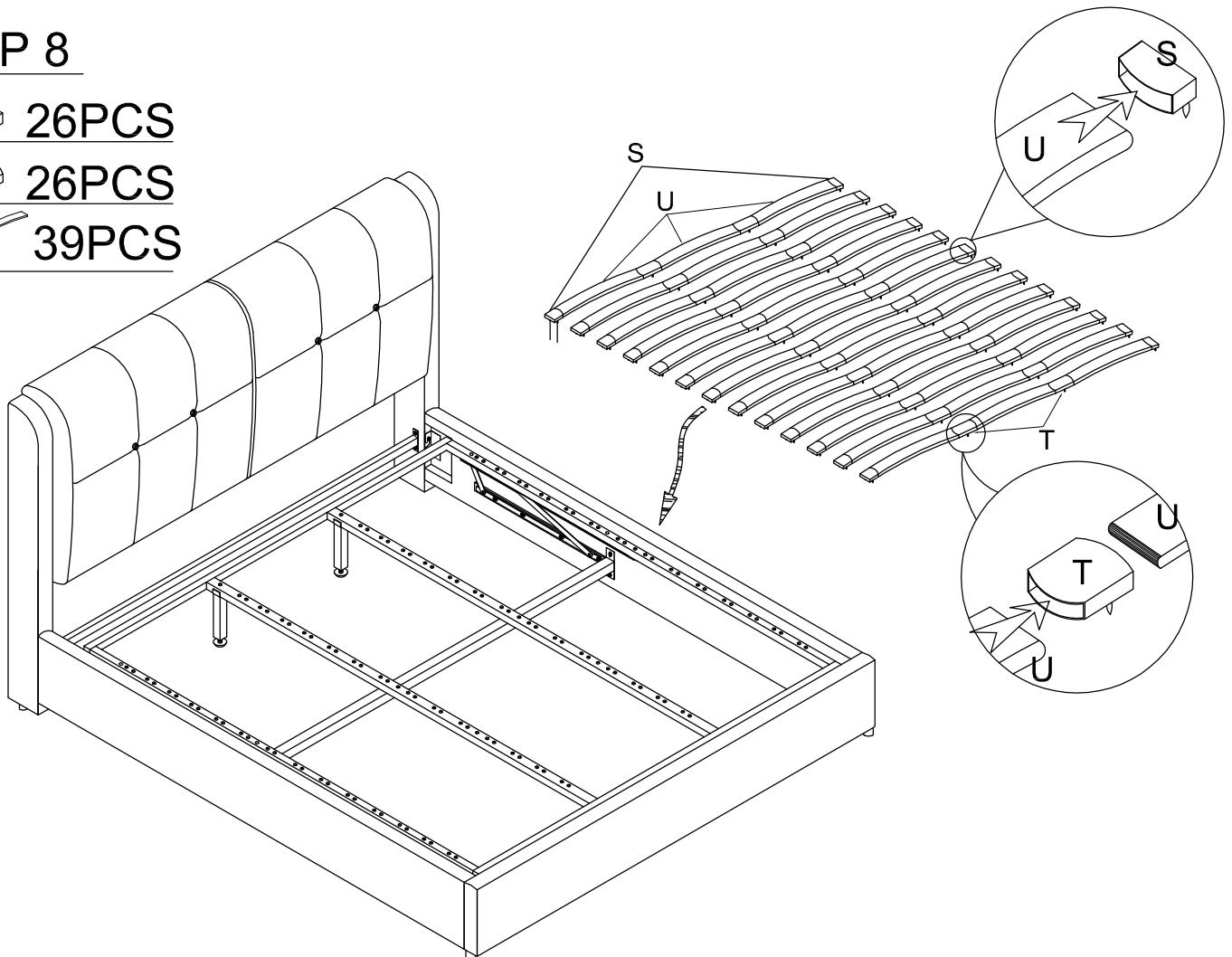


STEP 8

S  26PCS

T  26PCS

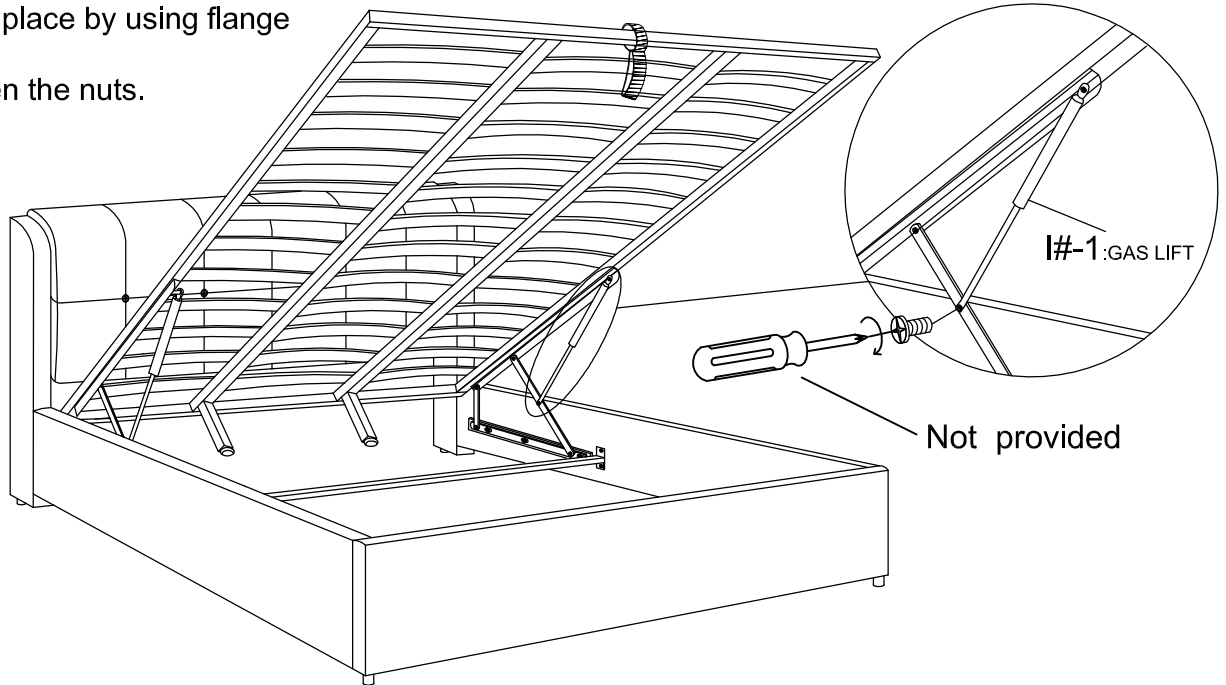
U  39PCS



STEP 9

Assembly Instructions

Please ensure the pneumatic arm is the correct orientation. The thinner section should be attached to the side rail and the thicker part is connected to the slat frame. secure the pneumatic lifting mechanisms on the side rails place by using flange nuts as shown. Do not overtighten the nuts.



STEP 10

V  1PC

Assembly Instructions

1: Attach woven fabric
Turn bed on its side and attach woven fabric (V) to base.

Please note: Before lowering the slat frame into position, place the mattress on the slat frame. The weight of the mattress will help with the lowering of the frame.

Mattress weight limit:

50kgs.

Assembly is completed.

