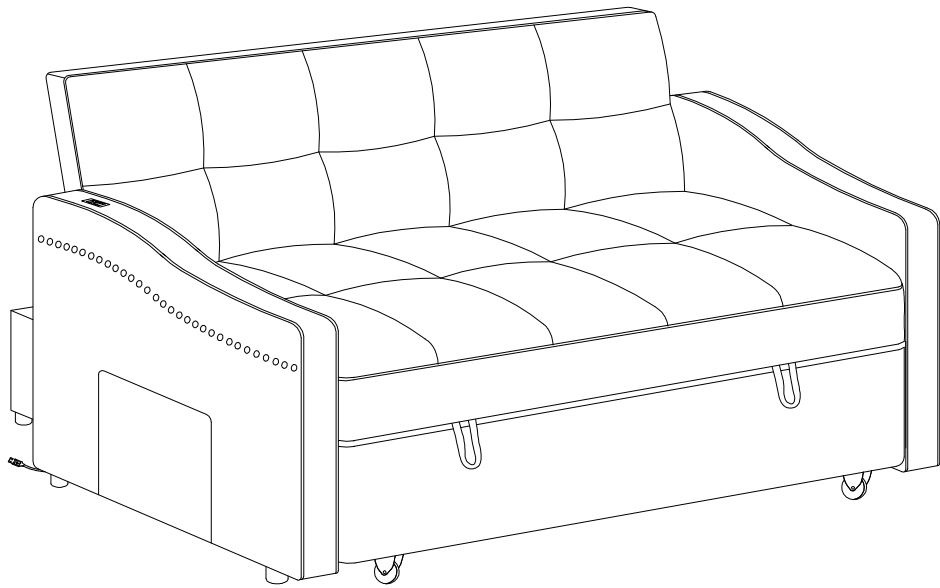
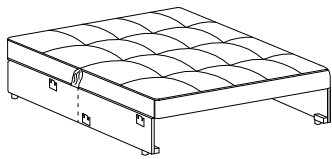


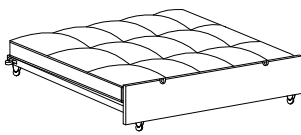
ASSEMBLY INSTRUCTIONS



STEP:Packing Details



Ax1



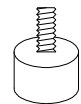
Bx1



Ex4



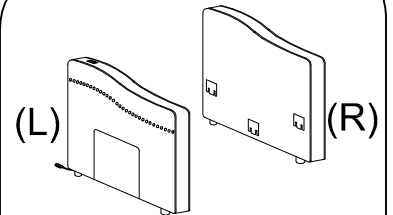
Fx16



Dx8



Gx1

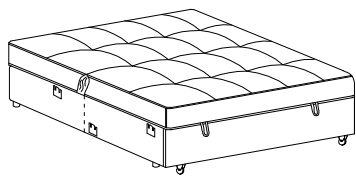
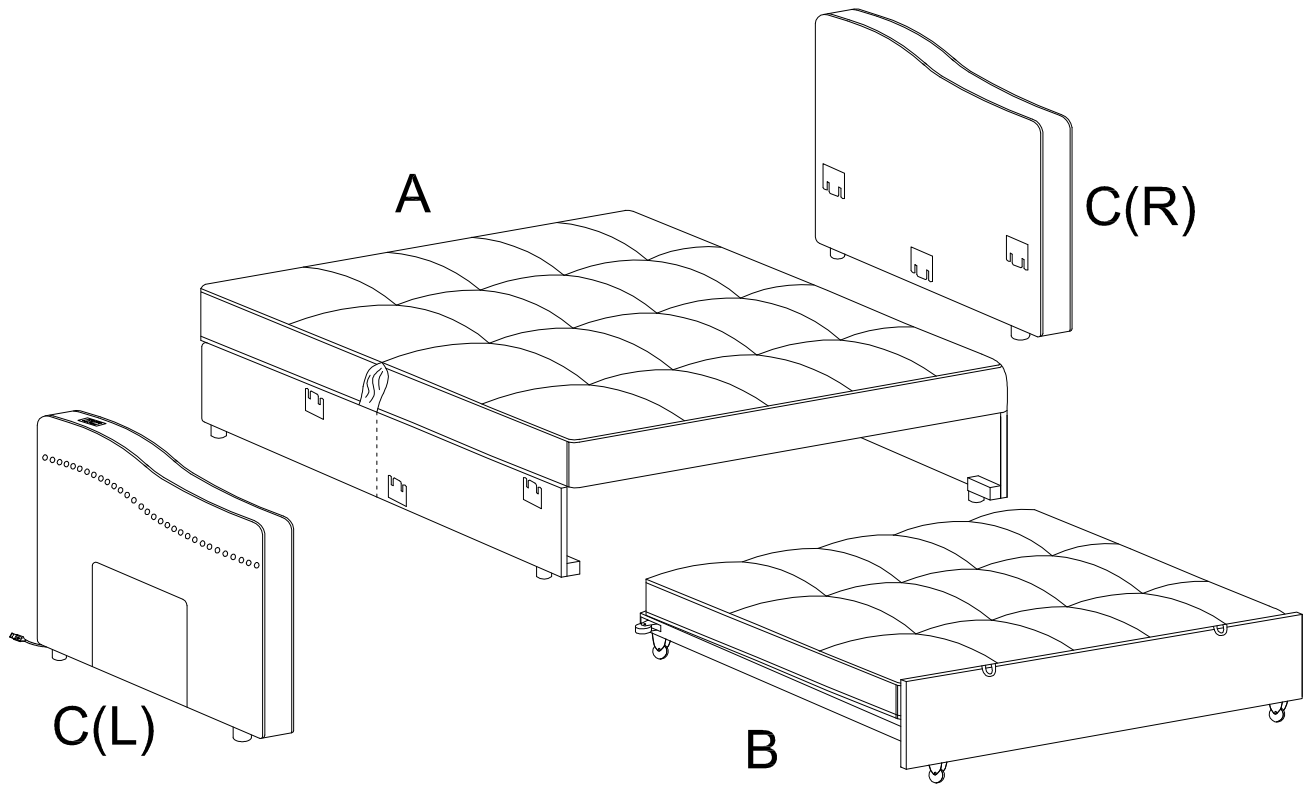


Cx2

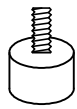
Carton 1/2

Carton 2/2

ASSEMBLY INSTRUCTIONS



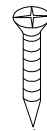
A / B



Dx4



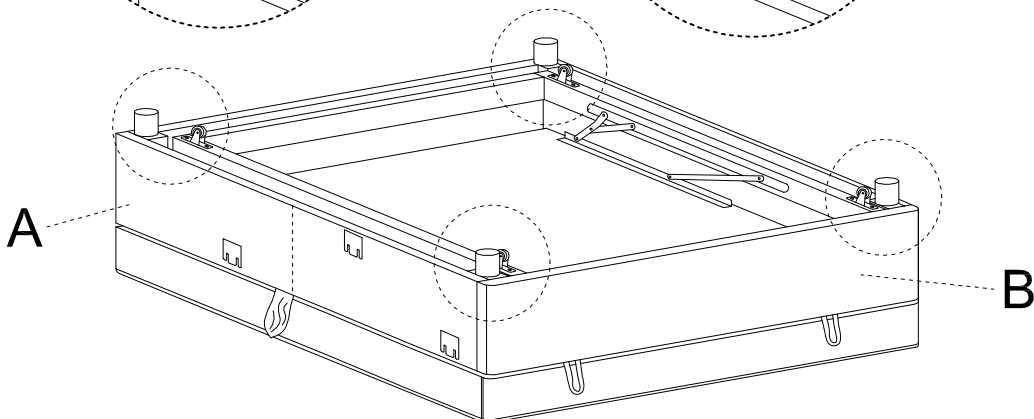
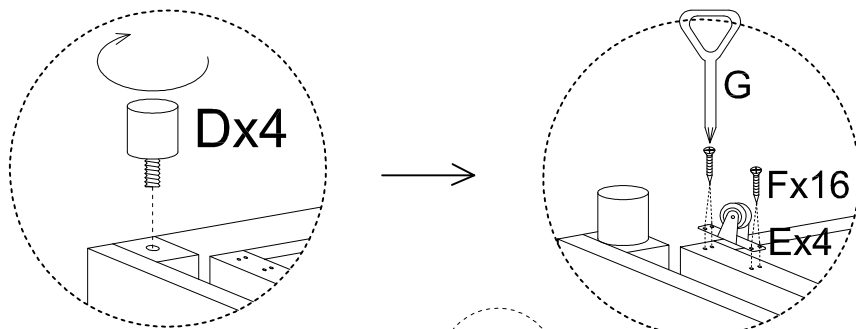
Ex4



Fx16

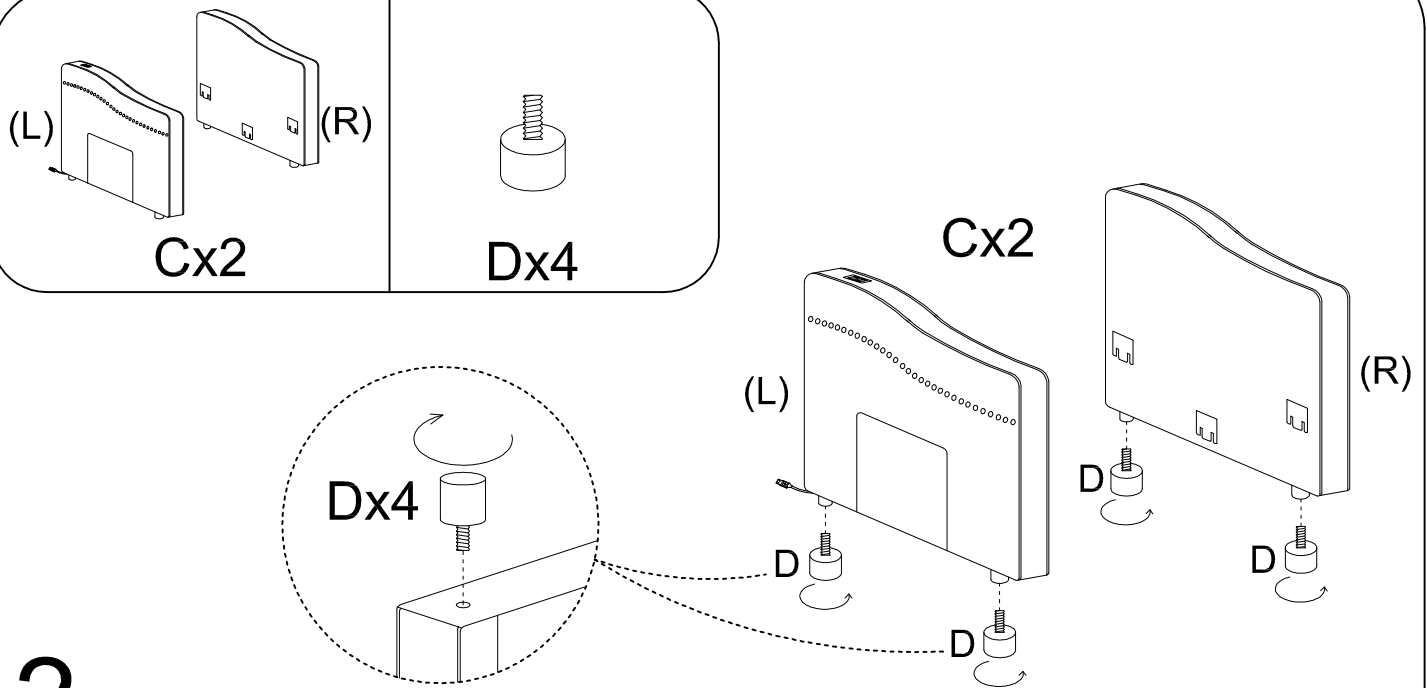


Gx1

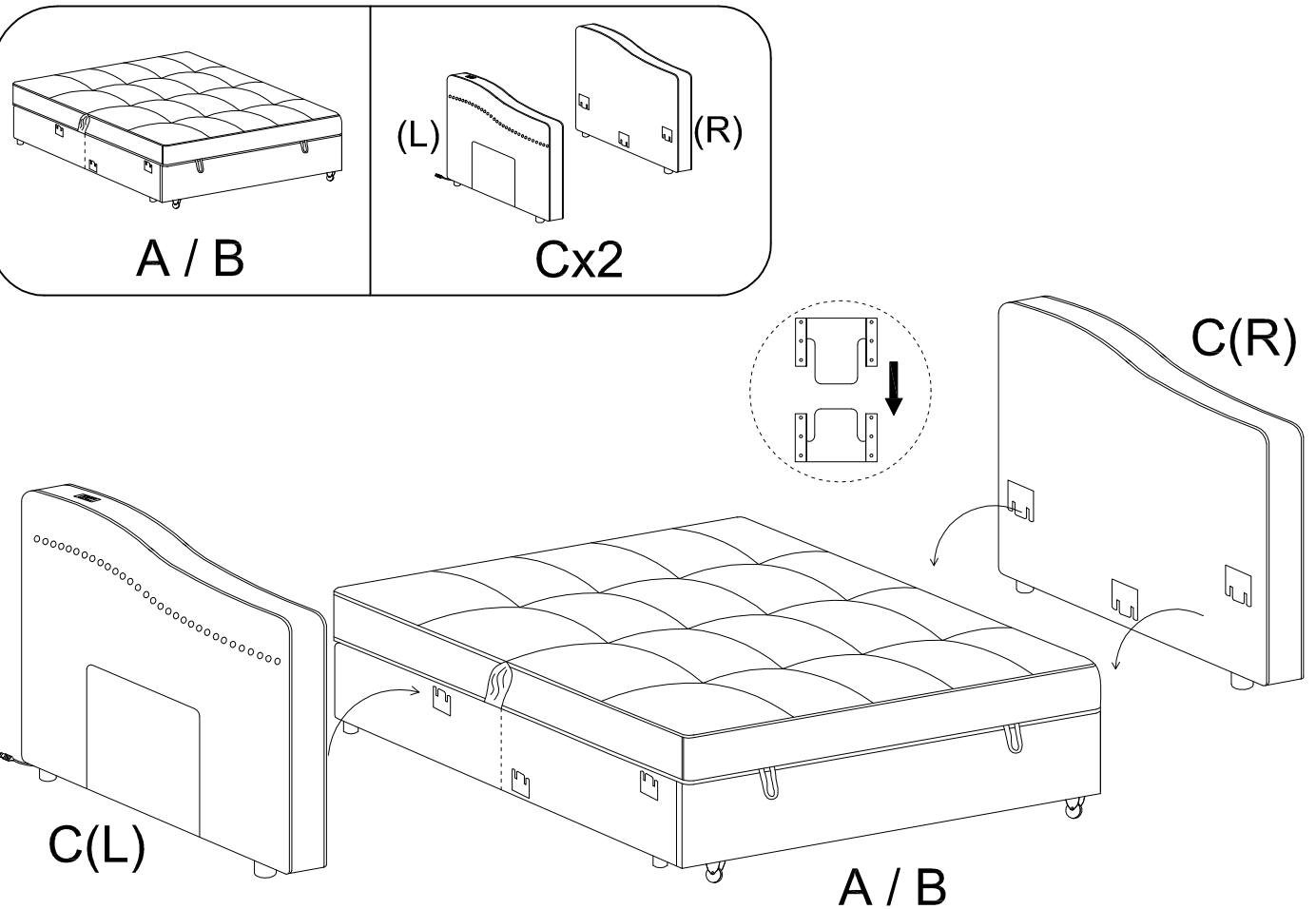


1

ASSEMBLY INSTRUCTIONS

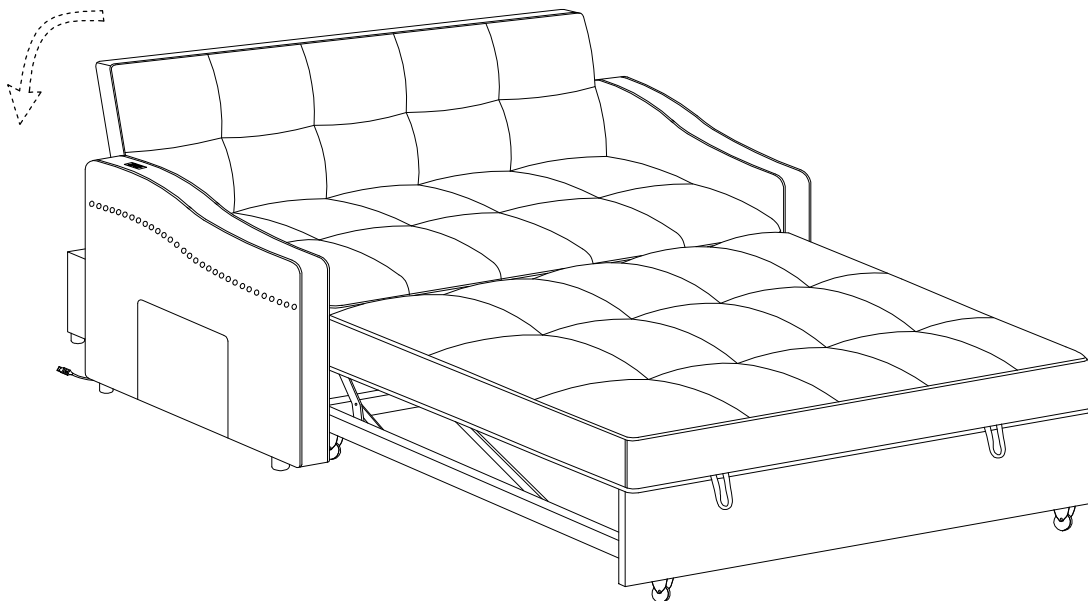
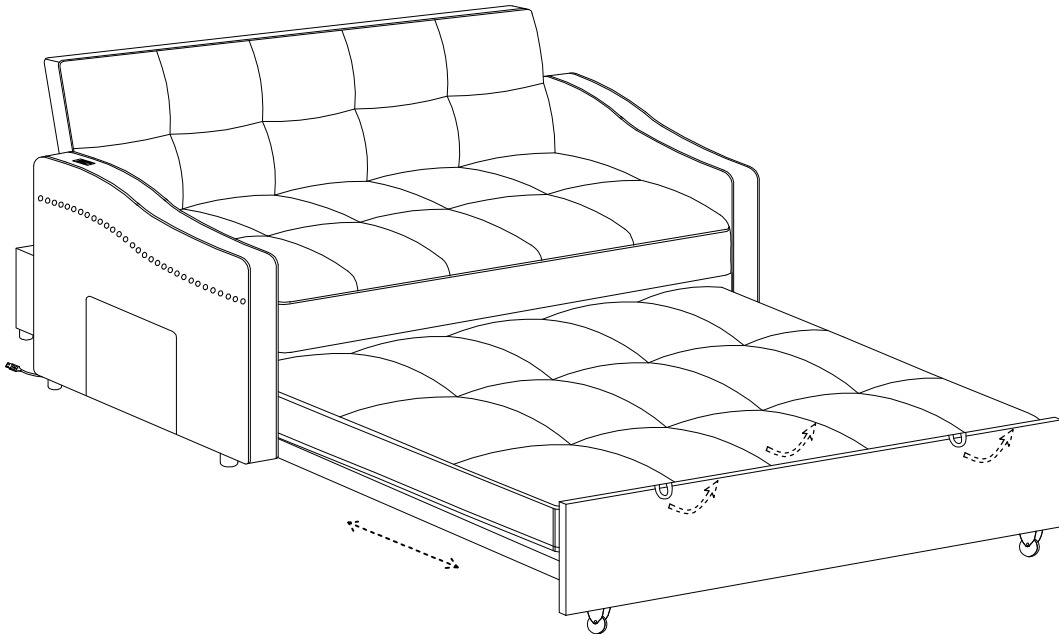
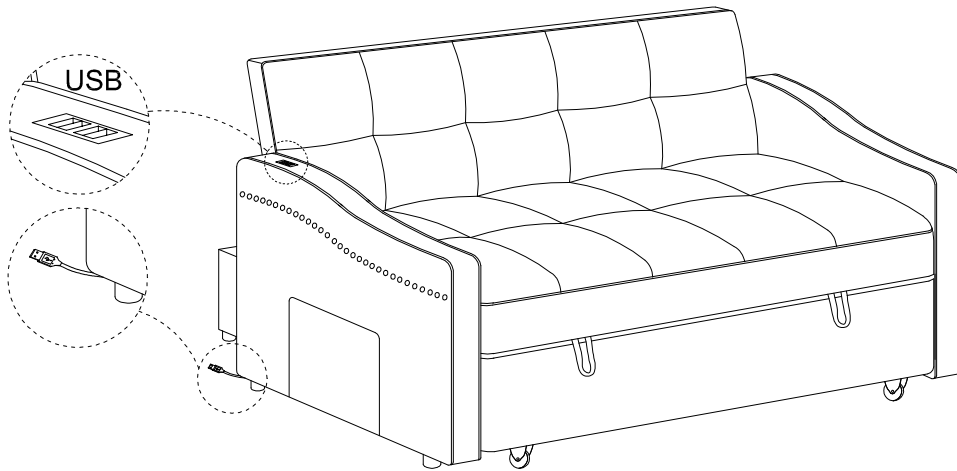


2



3

ASSEMBLY INSTRUCTIONS



4