

User Manual

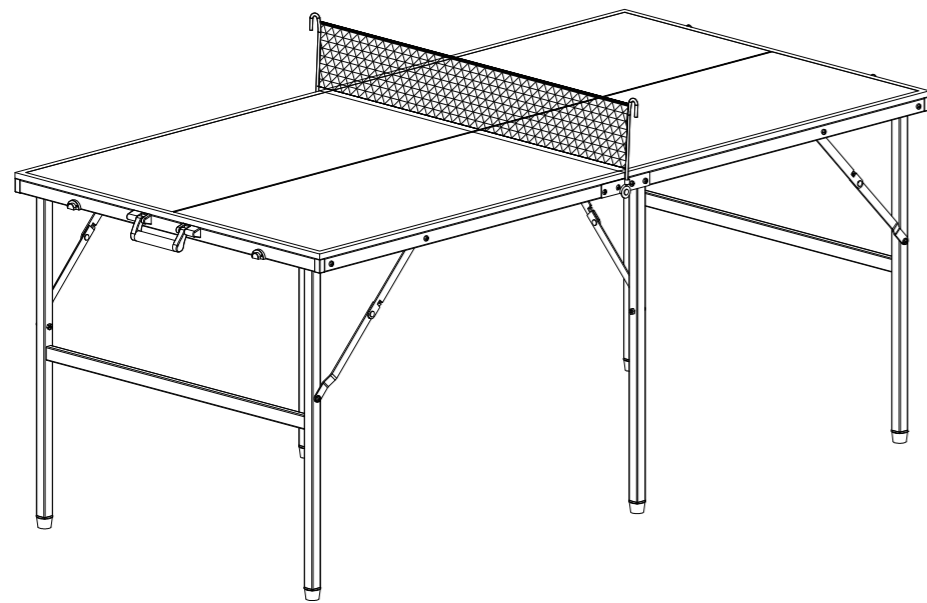


Table Tennis Table

Introduction

Thank you for purchasing MaxKare Table Tennis Table. Please read this user manual carefully and keep it in a safe place for future reference. If you need any assistance, please contact our support team with your product model number and Amazon order number.

Included

- 1 x Table Tennis Table
- 1 x Game Net
- 1 x Net Rack
- 2 x Paddles
- 3 x Balls
- 1 x User Manual

Product Specifications

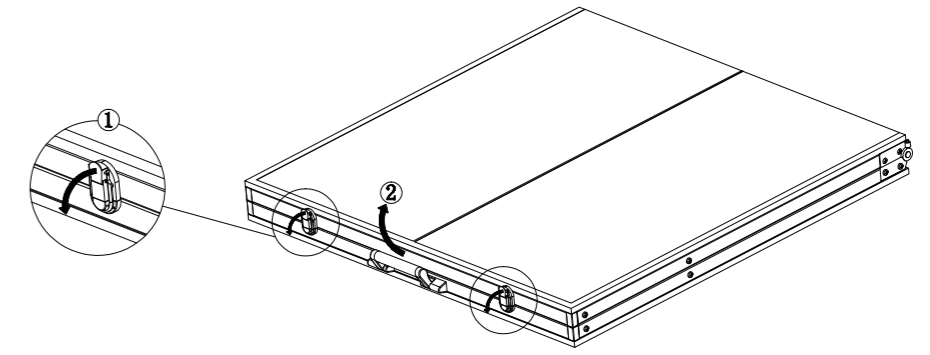
Brand Name	MaxKare
Product Name	Table Tennis Table
Model	TT-KLB33A
Materials	MDF, Aluminum
Product Dimensions	6'L x 3'W x 2.5'H
Product Weight	37.5 lbs
Gross Weight	42 lbs

Warranty & Customer Support

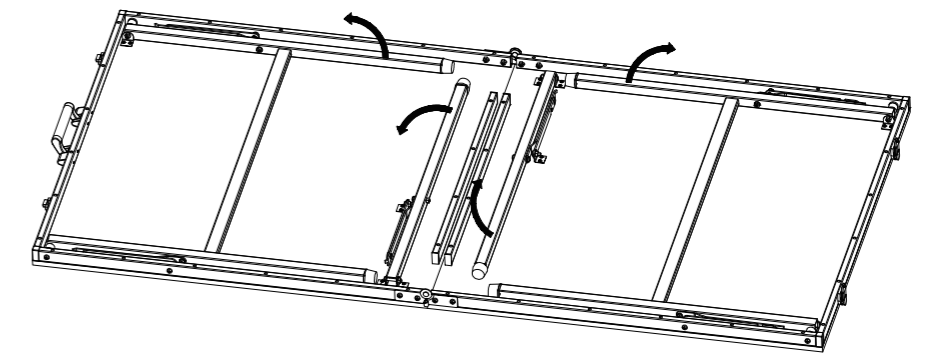
If you need help regarding product issues, after-sales service, or other relevant problems, please contact us via the email account service@maxkare.net.

*Note: Products purchased directly from MaxKare will enjoy our after-sales service. If the purchases are made from other selling teams, we recommend you contact them for warranty issues.

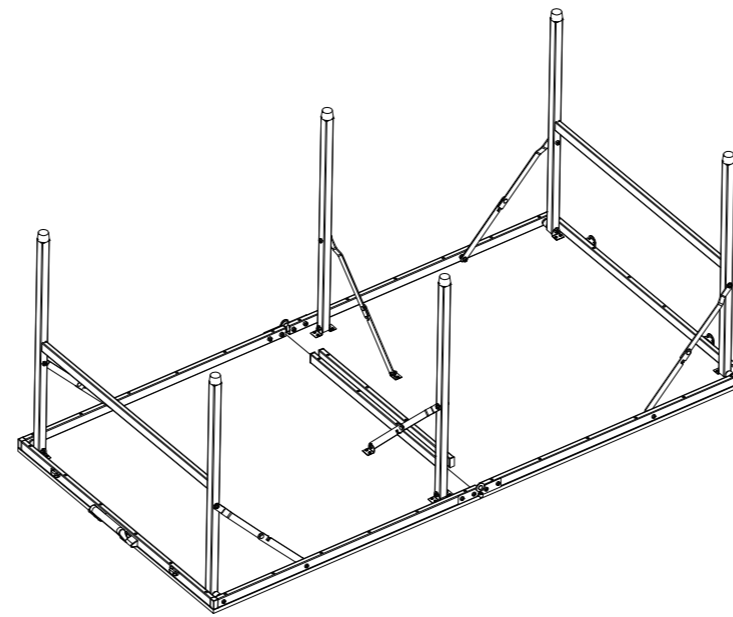
Step 1: Open the lock catch of the table tennis table.



Step 2: Extend the table legs.

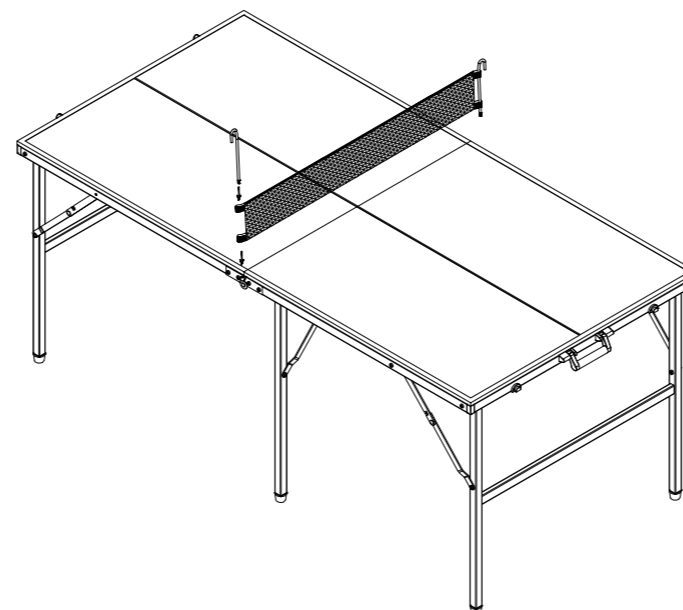


Step 3: Straighten the table legs until they are fully extended.



Step 4: Turn the table over (better to handle by two people) and put it on flat ground to ensure stability.

Attach the net on the net rack and insert it into the slot on the edge of the table.



Step 5: Assembly complete! Start your ping pong journey!

