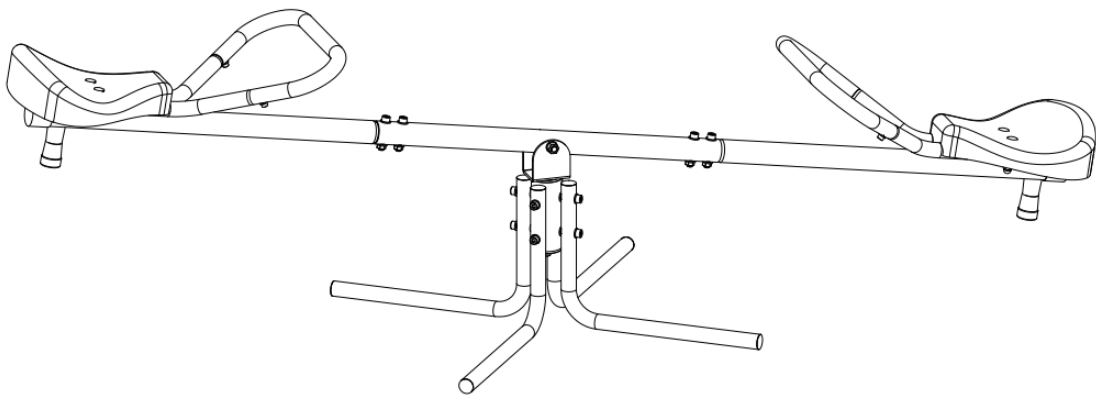


Instruction manual



INTRODUCTION

This manual contains important information on how to use the product and any safety risks. The user is encouraged to leave the manual before use. We reserve the right that illustrations and descriptions of individual details do not always correspond fully with the product. Save the manual for future use.

SCOPE

The seesaw is intended for home use only, for children between 3 and 8 years who weigh a maximum of 40 kg. The seesaw should be used under adult supervision. It is only intended for outdoor use such as a garden.

LABELLING

Manual is included and should be lashed before use and saved for future use.

Contains fragments. To be mounted by an adult. Plastic bags and similar pre-gaskets can be dangerous. Use must be supervised by an adult. Do not place/install on concrete, asphalt or other hard surface. The maximum weight of 40kg per seat may not be exceeded.

Not suitable for children under 3 years due to falls and injury risk.

SAFETY INSTRUCTIONS

- Always read the manual before use and save it for future use.
- The assembly shall be assembled by adults.
- Check the product regularly for any damage.
- Never leave children alone by the seesaw.
- Make sure that protection over sharp edges is intact and replace if they are damaged or have fallen away.
- Lubricate moving metal parts onto the swing bar.
- Check the swing mechanism and the swing seats for any signs of wear or damage. Replace the parts if damage is detected.
- The seesaw should be placed at least 2 meters away from buildings or other objects such as fences, garages, hanging branches, power lines, etc. in order to reduce the risk of accidents in the event of a fall.
- Each seat can be loaded with a maximum of 40 kg. In total, the rocking board may not be loaded with more than 80 kg.
- Make sure that no children other than those sitting on the seesaw are nearby when used.
- Do not allow children to stand or climb the seesaw.
- The seesaw must not be used by children under the age of 3 due to the risk of falling and injury.
- The product may not be modified or rebuilt.
- Only use accessories and spare parts recommended by the manufacturer.
- Wipe the seesaw with a slightly damp cloth and keep it dry until it is not used for a long time.
- Plastic covers can be dangerous for children. Avoid the risk of suffocation by immediately tubing all plastic bags and similar plastic packaging.

TECHNICAL DATA

Recommended age:3-8 years

Max load:40 kg per seat. Total max. 80 kg

















Number of seats: 2

Location requirements: 2m obstacle-free on all sides of the swing board

Maximum ground height:62cm

Material: Powder coated scaffold (frame and tube), UV resistant PP plastic (seat)

PARTS

 1pcs	 2pcs	 2pcs	 2pcs
 2pcs	 2pcs	 2pcs	 1pcs
 2pcs	 M8*35 8pcs	 M10*70 1pcs	 M8*50 4pcs
 M8*80 4pcs	 M6*20 4pcs	 M6*40 4pcs	 5pcs

ASSEMBLY

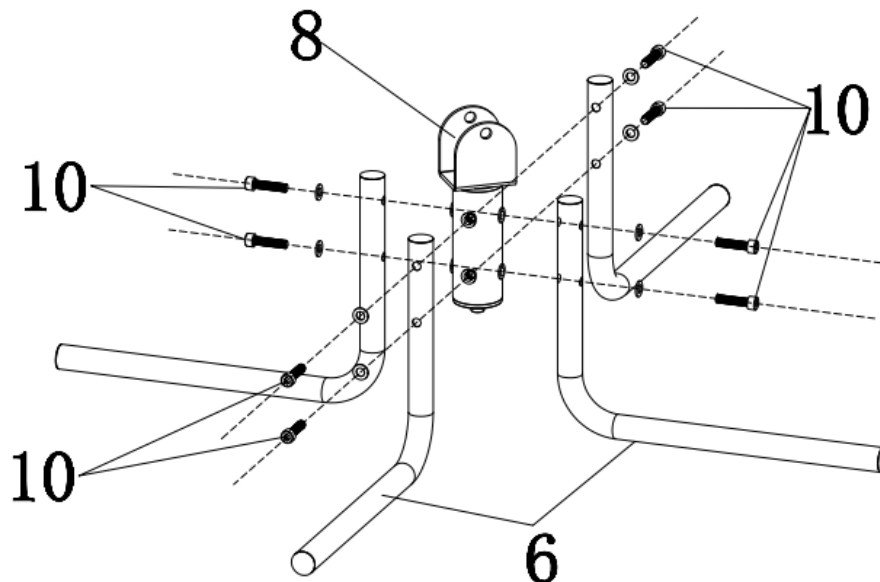
- To facilitate installation, it is recommended that two adults be assisted.
- Check that all details are included in the package. Contact us if anything is missing or damaged.

OBS!

- Keep all small parts away from children during assembly work.
- Be careful when installing the seesaw so that you do not scratch the paint. This can mean that moisture enters the construction and rust occurs.

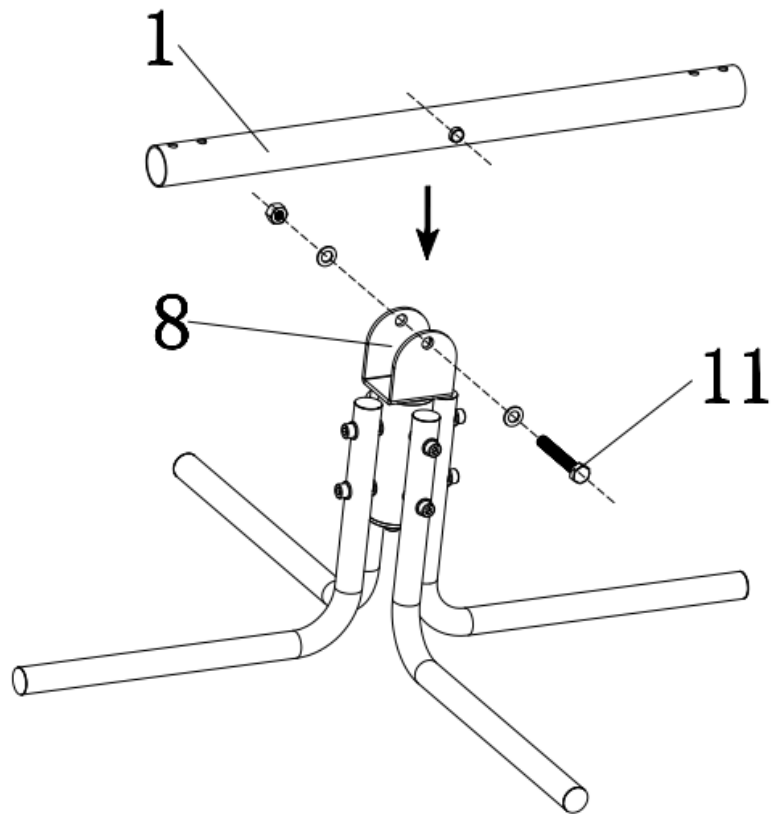
STEP1. Mount Legs

Screw leg B (7) into the upper hole of the centre post (8). Use two M8 x 100 screws (10) and included washers and nuts. Then attach leg A (6) to the lower heel of the centre chair in the same way. Twist so hard.



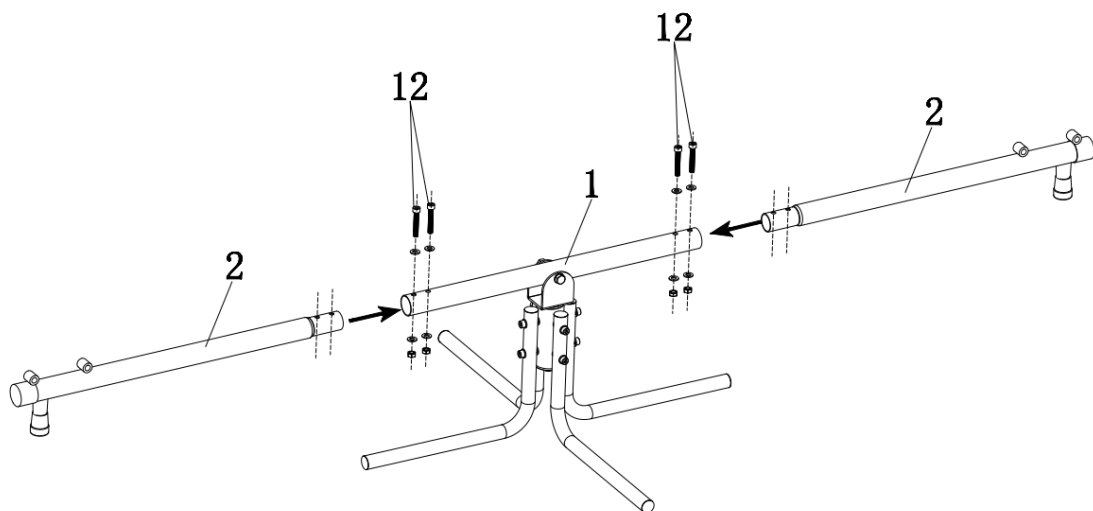
STEP2. Mount Swing

Adjust the swing bar (1) so that the hole is in line with the tail in the middle post (8). Attach the rod with the M10 x 70 screw (11) and its supplied washers and nuts.



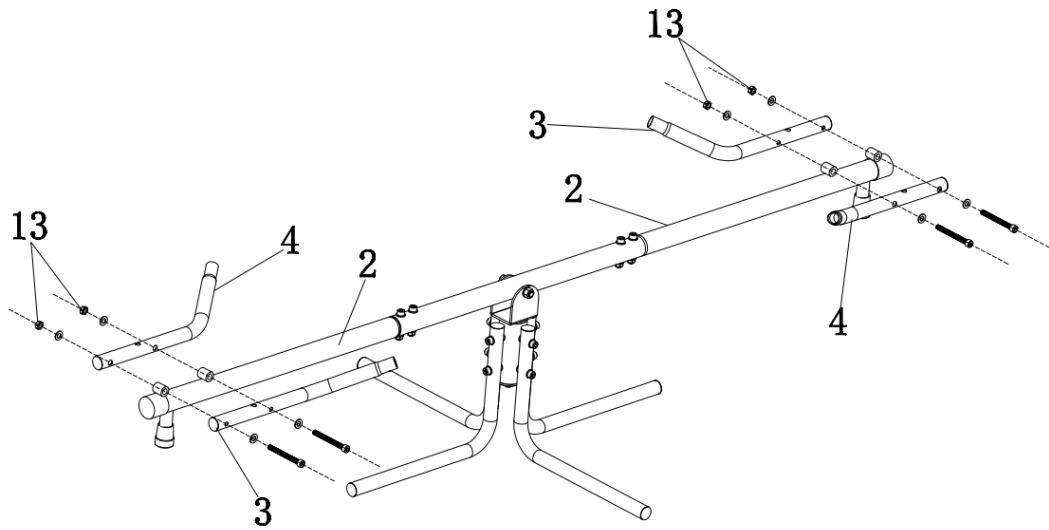
STEP3. Mount the seat bars

Thread the two seat bars (2) through both ends of the swing bar (1). Attach with the four M8 x 50 screws (12) and their supplied washers and nuts. Twist so hard.



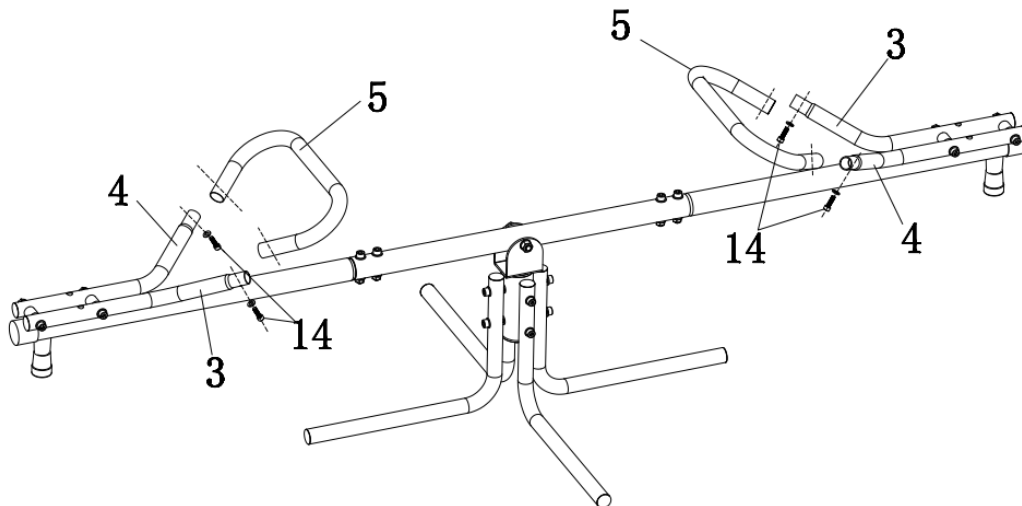
STEP4. Mount the handle brackets

Attach handle bracket A (3) and handle bracket B (4) to the seat bars with the four M8 x 80 screws (13) and their supplied washers and nuts. Repeat on the opposite side of the swing board.



STEP5. Attach the handles

Pull the handle (5) over the handle brackets (3, 4) and attach it with the two M6 x 20 screws (14). Repeat on the opposite side.



STEP6. Mount the seats

Attach the seat (9) to the handle brackets (3, 4) with M6 x 45 screws (15) and the included washers and nut rrr. Repeat on the opposite side of the swing board. Turn your seesaw properly.

