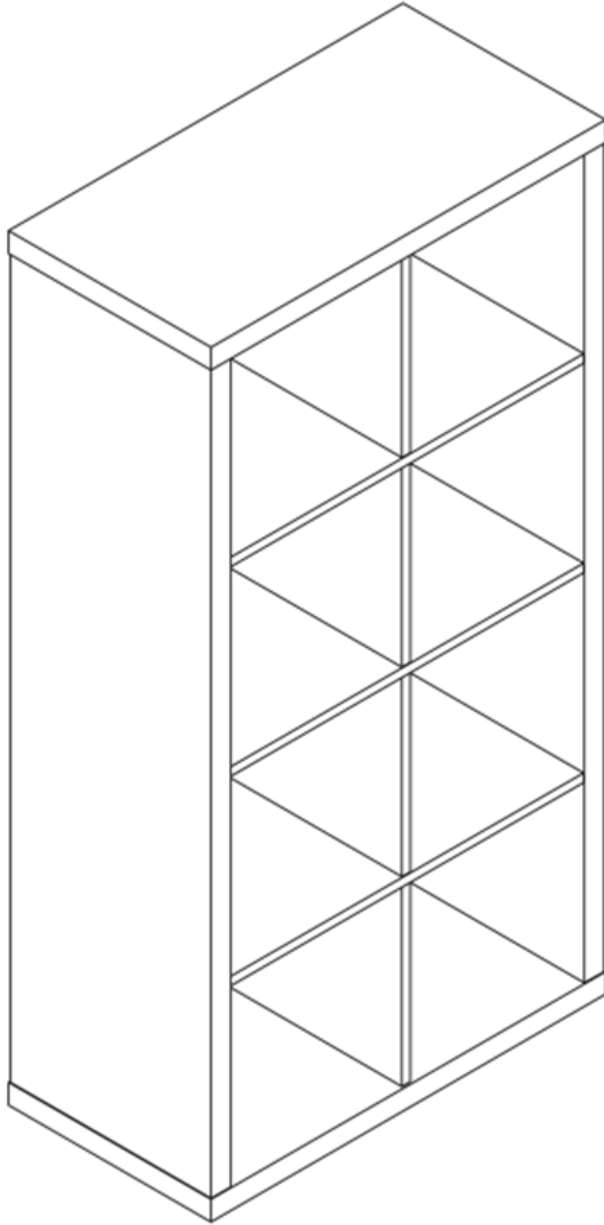


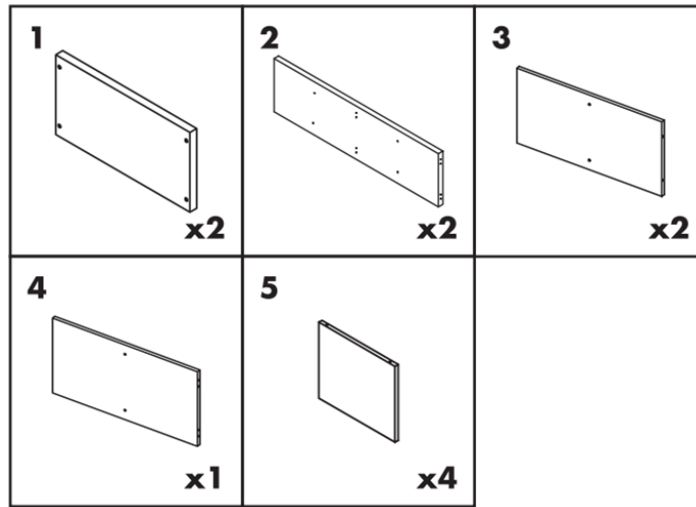
Assembly Instruction






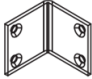
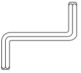

Product name

2 x 4 Cube Storage Organizer

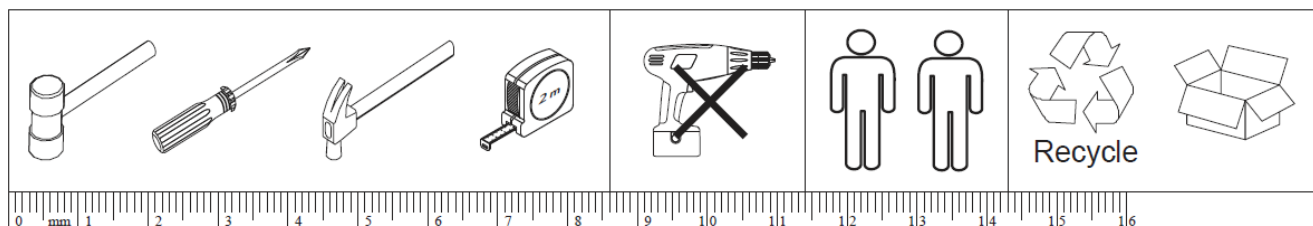
The Accessories



The Hardware

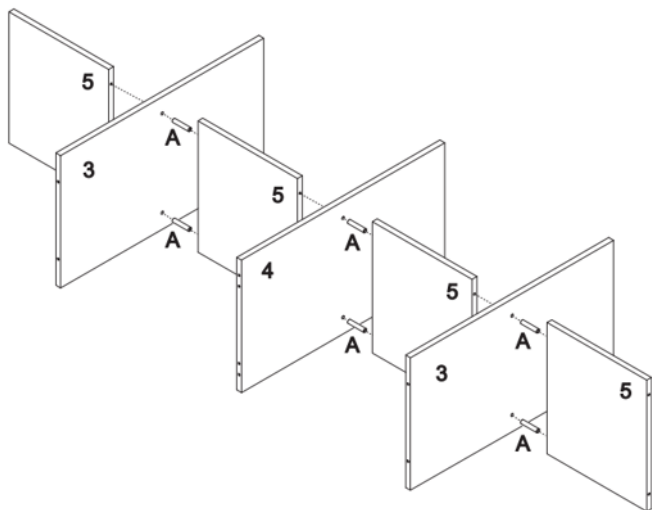
Code	Description	Qty	Code	Description	Qty
A		30	D		4
B		12	E		2
C		1	F		12

If you have any issues with your item please contact the retailer directly you Purchased it from who will be able to resolve any issues.

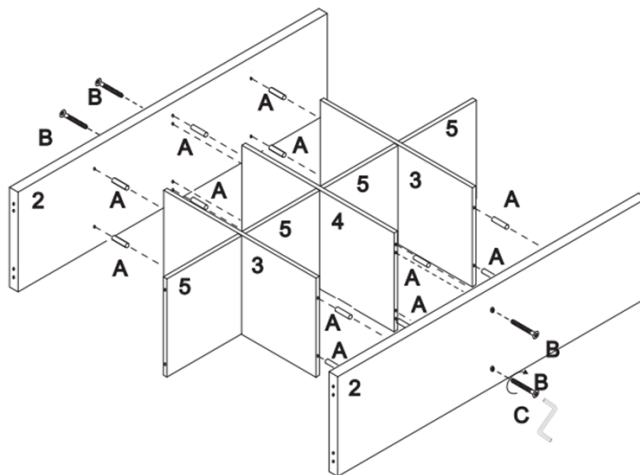


Assembling

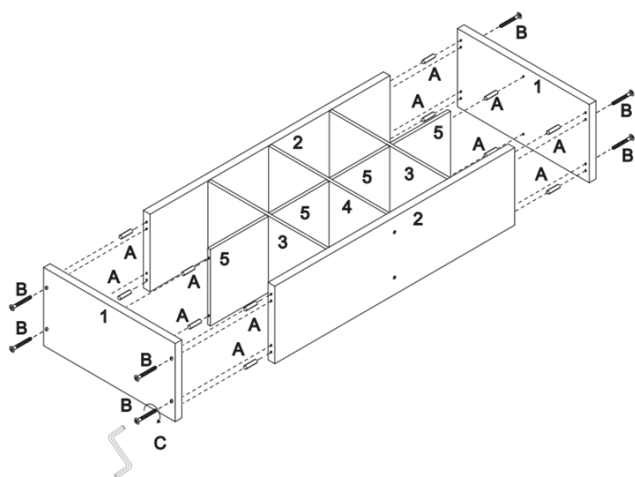
Step 1



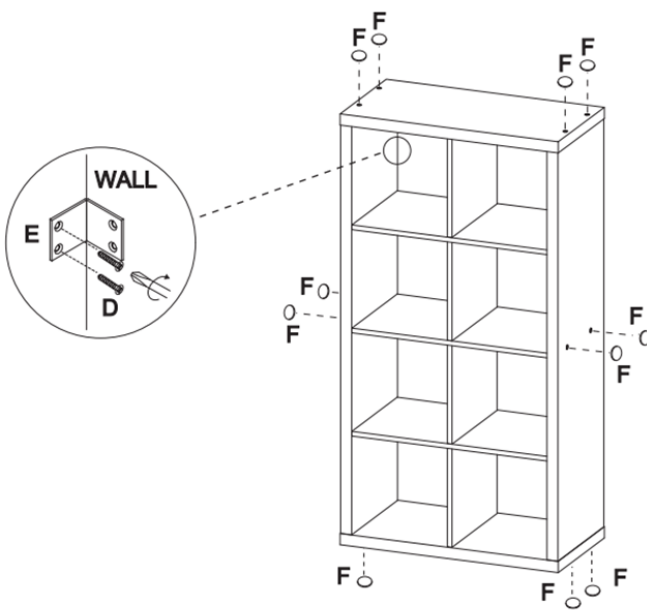
Step 2



Step 3



Step 4



Proper Use



WARNING!

Important!

This piece of furniture must be fastened to the wall with the enclosed wall fitting.

Please note:

Some wall materials require different types fixing parts, only use fixing parts suitable for the chosen walls in your home (not included). If you are uncertain about what wall fitting is required for your home, please contact your local hardware store for assistance.

Please keep small parts out of reach of children.

Always use on a level, even surface.

It is recommended that two people handle and assemble the item.

DO NOT leave spilled liquid in the cabinet.

DO NOT exceed weight limit.

DO NOT make temporary repairs.

DO NOT use outdoors.

DO NOT use this item if any parts are missing, damaged or worn.

DO NOT use this item unless all fixings are secured.

DO NOT push the item as this will damage the base.

DO NOT place the item next to a radiator or direct sunlight–this item is susceptible to temperature change. It is recommended an even room temperature be maintained with no sudden fluctuations.

DO NOT place hot or cold items directly onto the surface of the item as marking will occur. For general cleaning use a duster or damp cloth (almost dry) not wet–do not use soap and water, detergents, aerosol sprays or any polish as use of these materials would invalidate any claims.

DO NOT place the item onto wet or damp flooring as staining may occur to the floor.