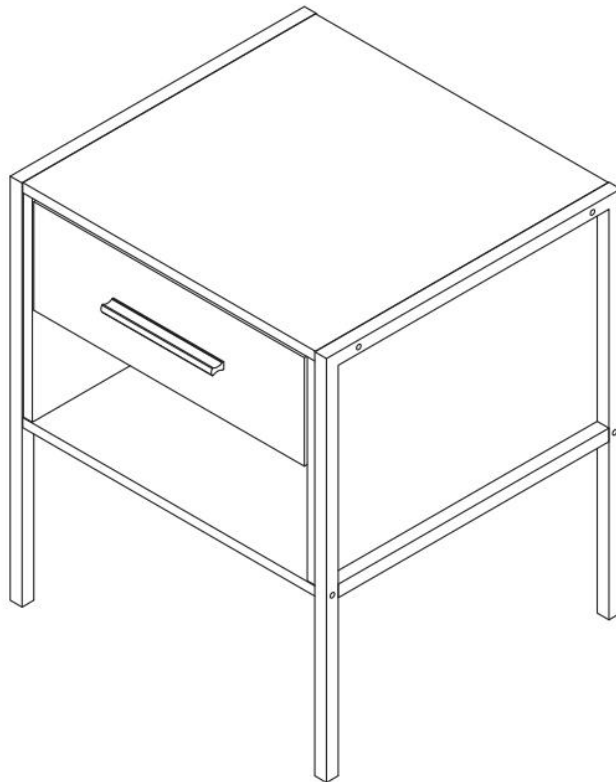


---

# Assembly Instruction

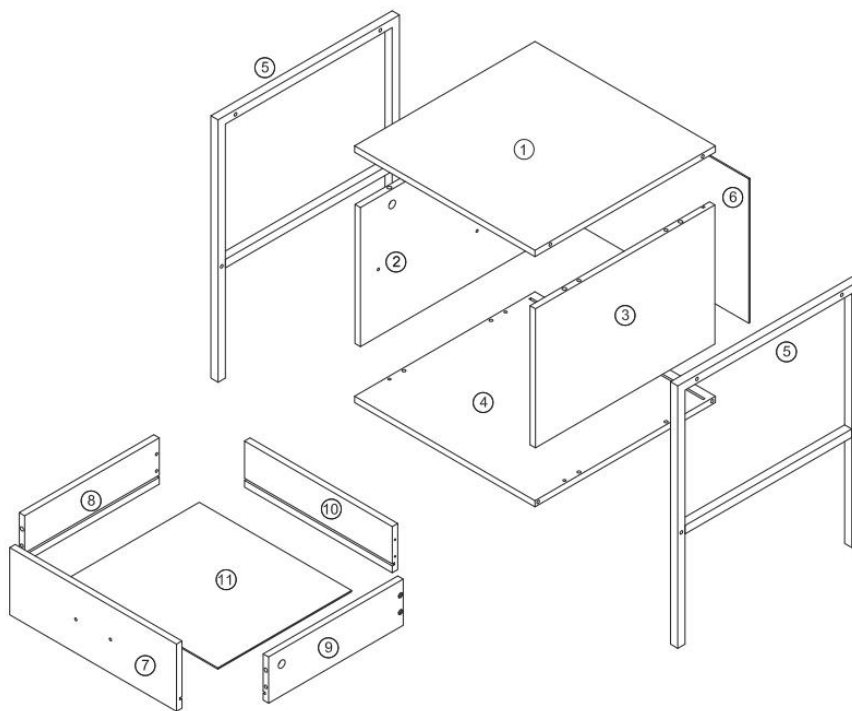


Product name
















---

**1 Drawer Bedside Cabinet**

# The Accessories

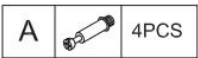
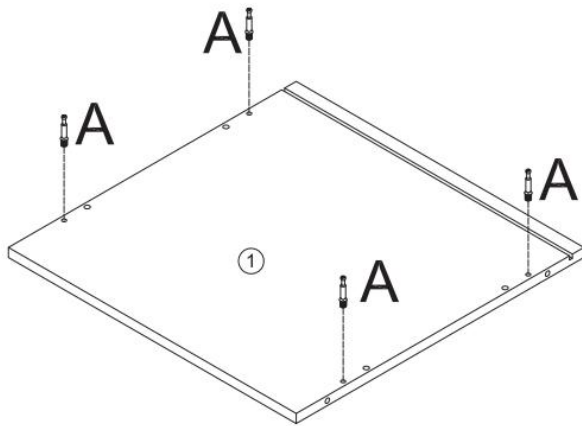


# The Hardware

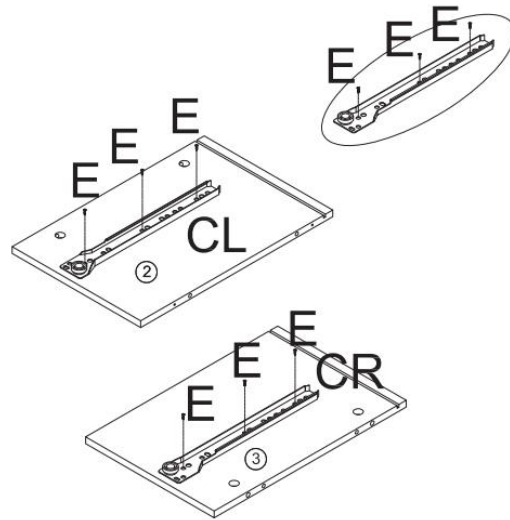
Letter	Draw	Number	Letter	Draw	Number
A		6PCS	I	 M3	1PC
B		6PCS	J	 $\phi 3 \times 16 \text{mm}$	4PCS
C	 $\phi 6 \times 30 \text{mm}$	10PCS	K		4PCS
D	 $\phi 4 \times 30 \text{mm}$	8PCS	CL	 350mm	1PC
E	 $\phi 3 \times 12 \text{mm}$	12PCS	CR	 350mm	1PC
F		1PC	DL	 350mm	1PC
G	 M4x16mm	2PCS	DR	 350mm	1PC
H	 M5x50mm	8PCS			

# Assembling

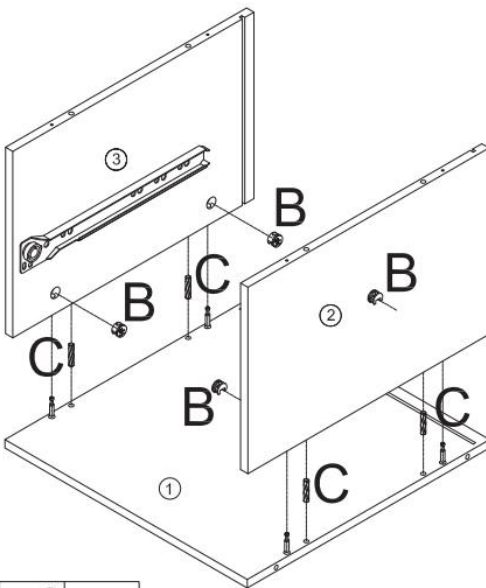
## Step 1



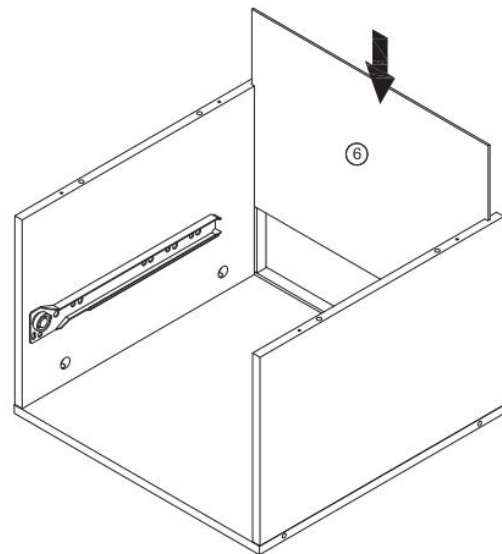
## Step 2



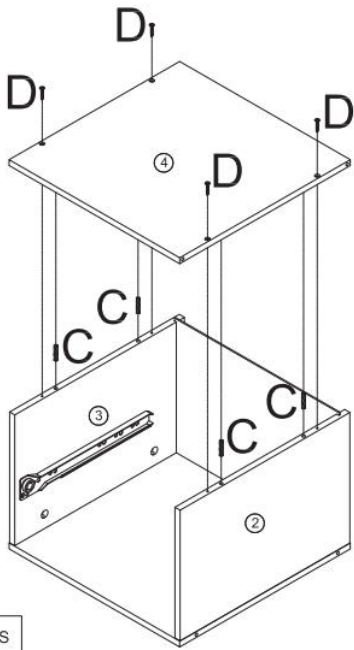
## Step 3



## Step 4



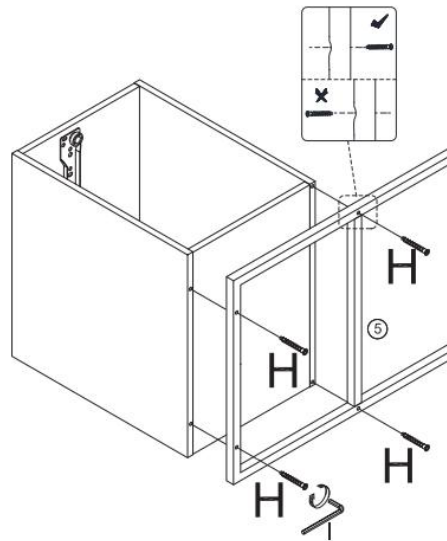
### Step 5



C		4PCS
---	--	------

D		4PCS
---	--	------

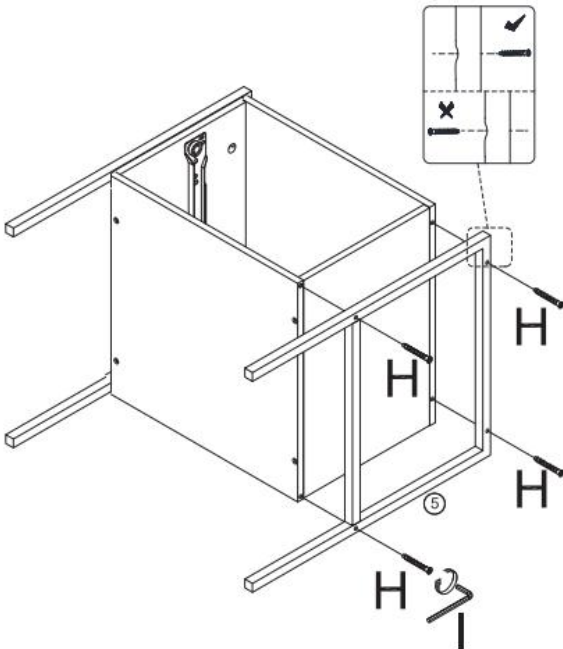
### Step 6



I		1PC
---	--	-----

H		4PCS
---	--	------

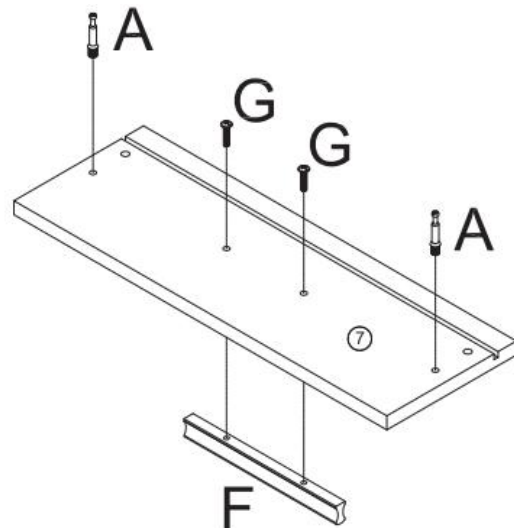
### Step 7



I		1PC
---	--	-----

H		4PCS
---	--	------

### Step 8

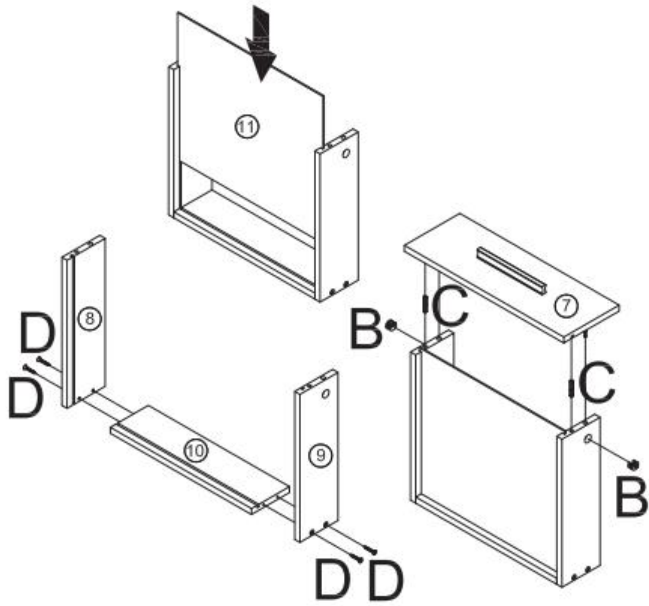


F		1PC
---	--	-----

A		2PCS
---	--	------

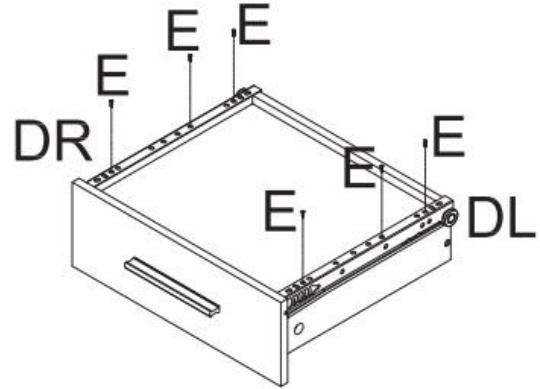
G		2PCS
---	--	------

### Step 9



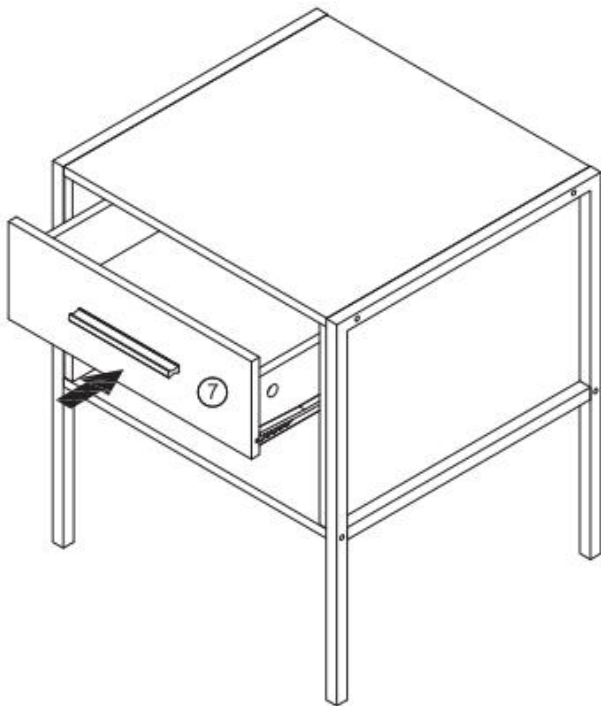
D		4PCS	B		2PCS	C		2PCS
---	--	------	---	--	------	---	--	------

### Step 10

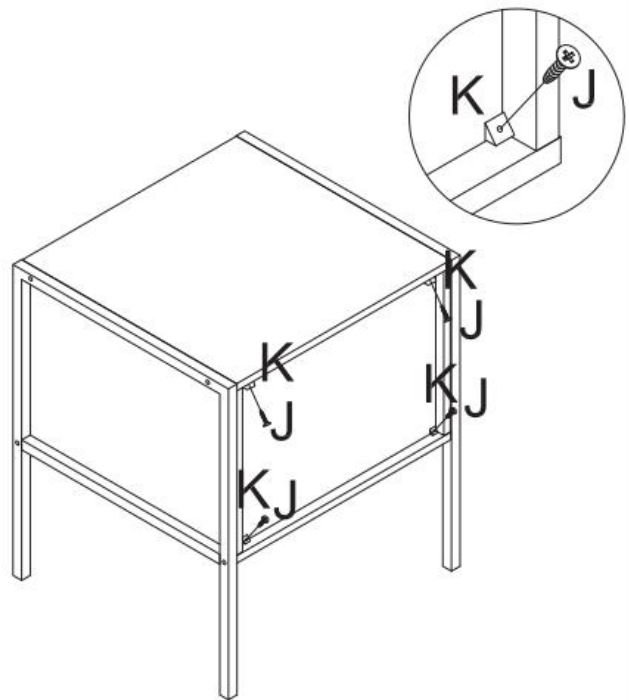


E		6PCS	DL		1PC	DR		1PC
---	--	------	----	--	-----	----	--	-----

### Step 11



### Step 12



J		4PCS	K		4PCS
---	--	------	---	--	------

---

# Proper Use

**Please note:**

Please keep small parts out of reach of children.

Always use on a level, even surface.

It is recommended that two people handle and assemble the item.

**DO NOT** leave spilled liquid in the cabinet

**DO NOT** exceed weight limit

**DO NOT** make temporary repairs

**DO NOT** use outdoors

**DO NOT** use this item if any parts are missing, damaged or worn.

**DO NOT** use this item unless all fixings are secured.

**DO NOT** push the item as this will damage the base.

**DO NOT** place the item next to a radiator or direct sunlight–this item is susceptible to temperature change. It is recommended an even room temperature be maintained with no sudden fluctuations.

**DO NOT** place hot or cold items directly onto the surface of the item as marking will occur. For general cleaning use a duster or damp cloth (almost dry) not wet–do not use soap and water, detergents, aerosol sprays or any polish as use of these materials would invalidate any claims.

**DO NOT** place the item onto wet or damp flooring as staining may occur to the floor.