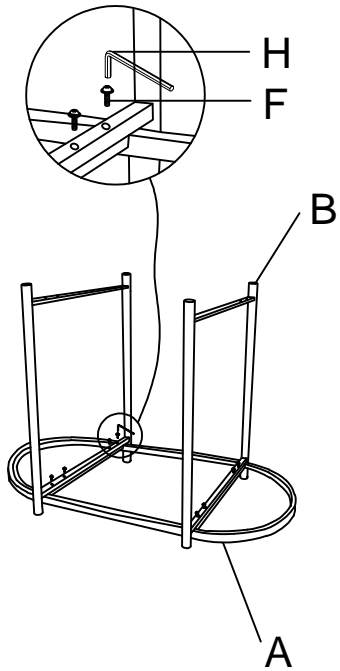
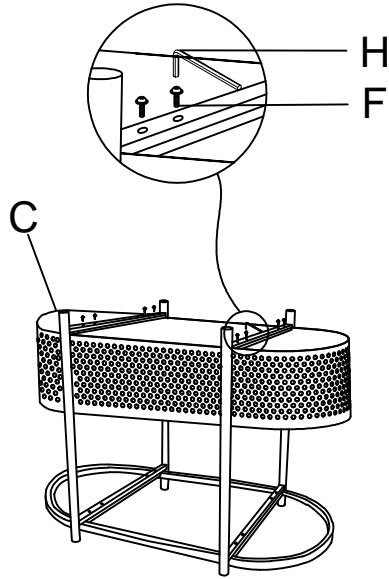


ASSEMBLY INSTRUCTION

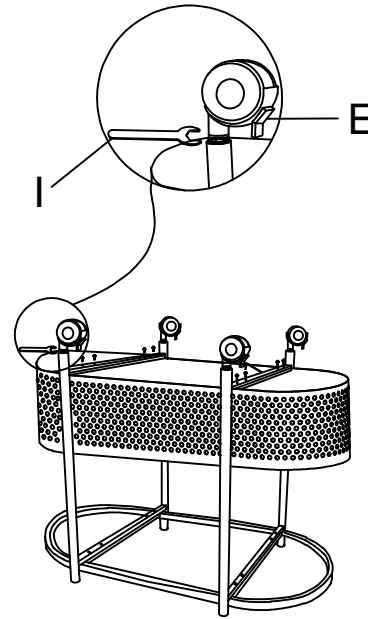
1



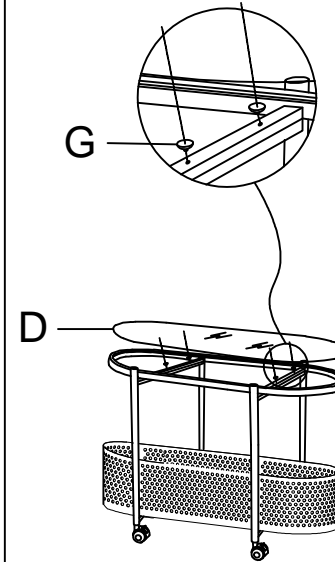
2



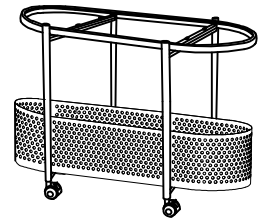
3



4



5



A



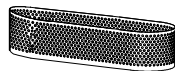
X1

B



X2

C



X1

D



X1

E



X4

F



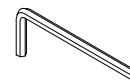
X16

G



X4

H



X1

I



X1