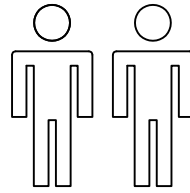


DRAWING DESK

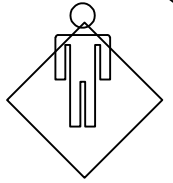
1hr

APPROXIMATE ASSEMBLY TIME

2 PERSON ASSEMBLY

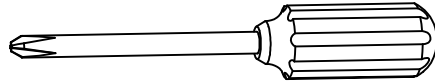
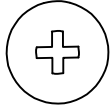


AREA
2M X 2M



REQUIRED ASSEMBLY SPACE

REQUIRED TOOL



PHILLIPS SCREWDRIVER



DRAWING DESK

Tips before you start:

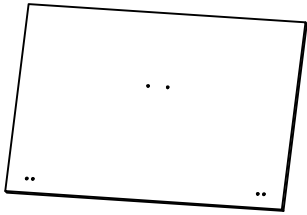
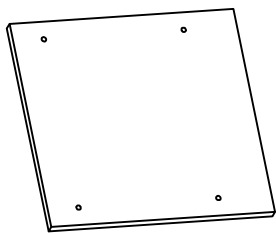
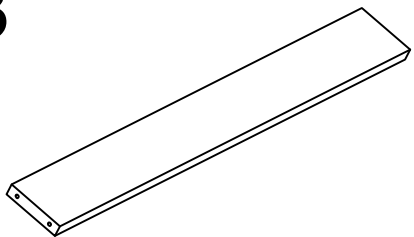
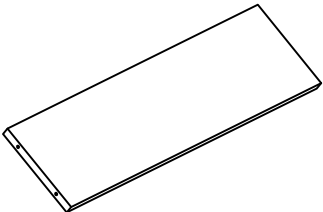
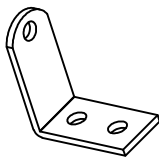
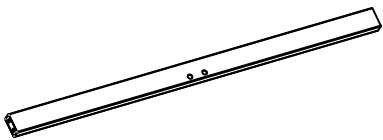
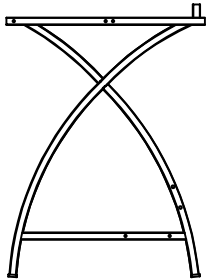
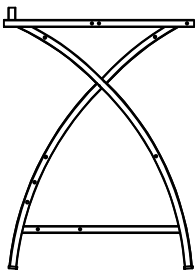
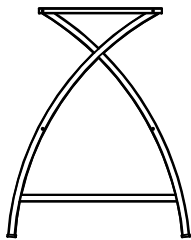
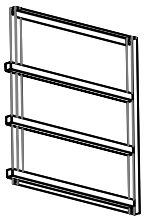
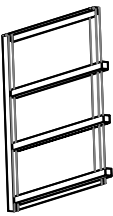
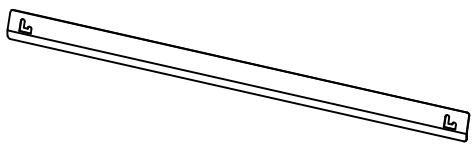

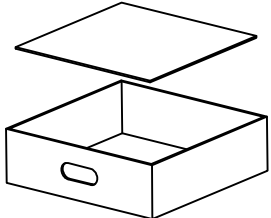
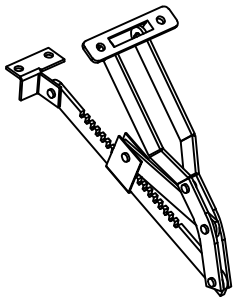
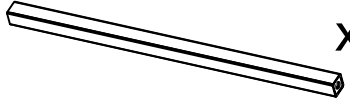
1. Please check that all parts are present before you start the assembly of your furniture.
2. For ease and speed of assembly,we recommend that before you commence each step of the assembly,that you identify all the parts required for that step.
3. For larger items,please ensure that you have sufficient space and people (as indicated on page 1)to assemble your product safely.
4. We recommend that,where possible,all items are assembled near to the area in which they will be placed in use,to avoid moving the product unnecessarily once assembled.
5. For the protection of your furniture,we recommend that the product is placed on a protected surface during assembly to prevent any damage.
6. During assembly please take care not to over-tighten any fittings,as this may damage the product.Do not use power tools.
7. Always place the product on a flat,steady and stable surface.
8. Do not stand on the product. Do not use the product as a stepladder.
9. This product is intended for indoor,household use only as it is a non-industrial product.
10. Please use caution and care when lifting the product to avoid personal injury and product damage.

Care and Maintenance of your Furniture

- ☑ Please periodically check all fittings and re-tighten as necessary.
- ☑ To clean your item,please use a damp cloth and wipe clean.
- ☑ Never allow any kind of liquid to remain on your furniture.Absorption can cause wood to warp or finishes to de-laminate.
- ☑ Please do not place hot items (eg.hot drinks)directly on to the surface.
- ☑ Please do not drag and pull your furniture.

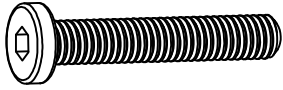
DRAWING DESK

PARTS LIST

1  x1	2  x1	3  x1
4  x1	5  x2	6  x1
7  x1	8  x1	9  x1
10  x1	11  x1	12  x1
13  x2	15  x3	16  x1
14  x2		

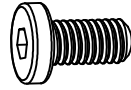
DRAWING DESK

HARDWARE LIST

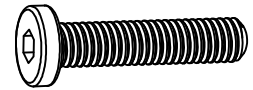


Bolt A X 4
M6 X 35MM

(A X 0 if stool not included)

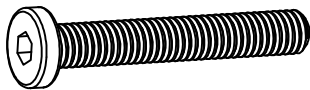


Bolt B X 8
M6 X 12MM



Bolt C X 4
M6 X 28MM

(C X 0 if stool not included)



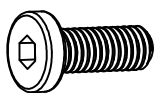
Bolt D X 4
M6 X 45MM



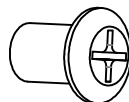
Screw E X 2
M4 X 12MM



Screw F X 8
M6 X 50MM



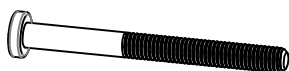
Bolt G X 2
M6 X 16MM



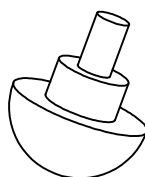
Bolt Insert H X 4
(H X 0 if stool not included)



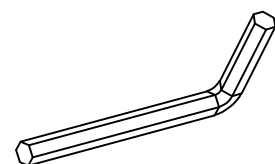
Bolt I X 4
M6 X 25MM



Bolt J X 8
M6 X 60MM



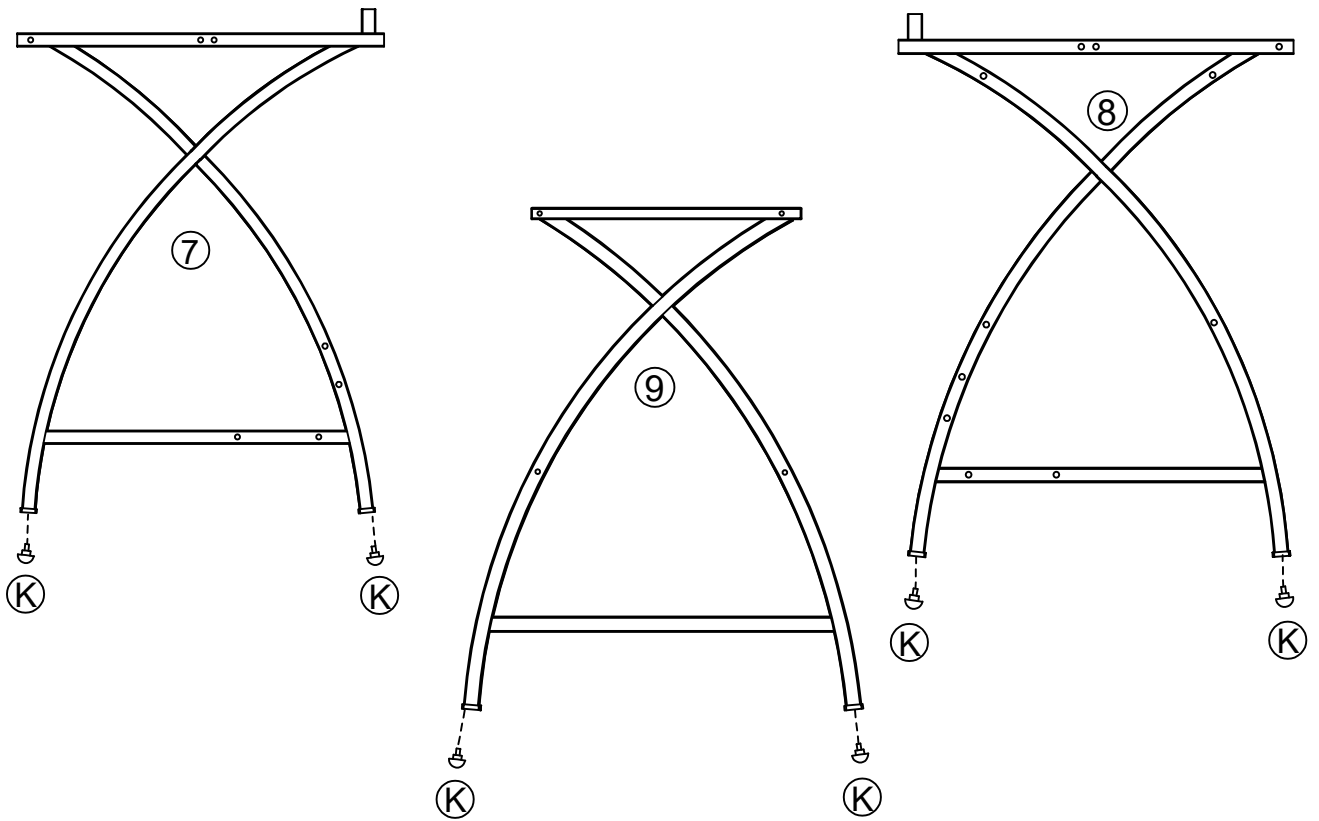
K X 6



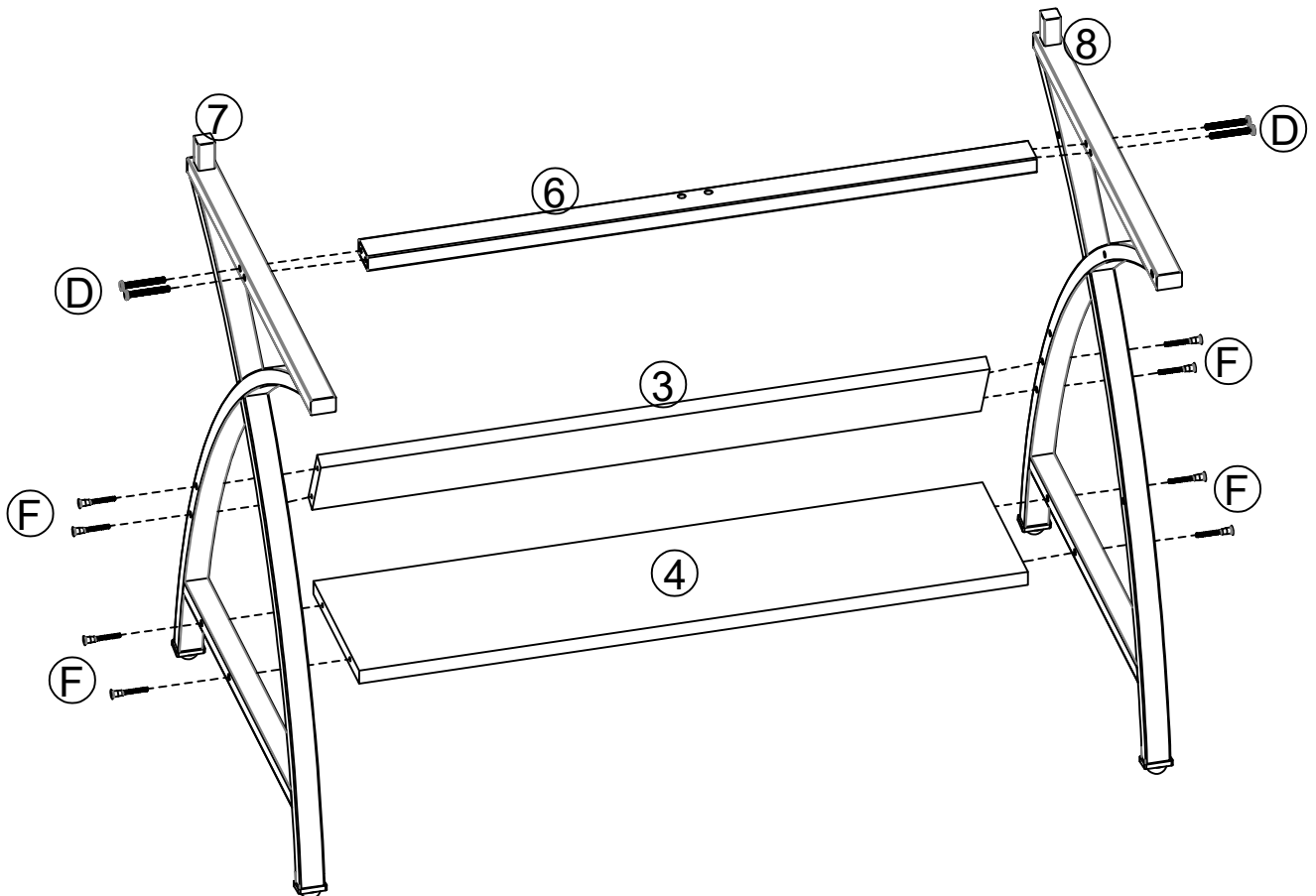
Allen Key
L X 1

DRAWING DESK

STEP 1

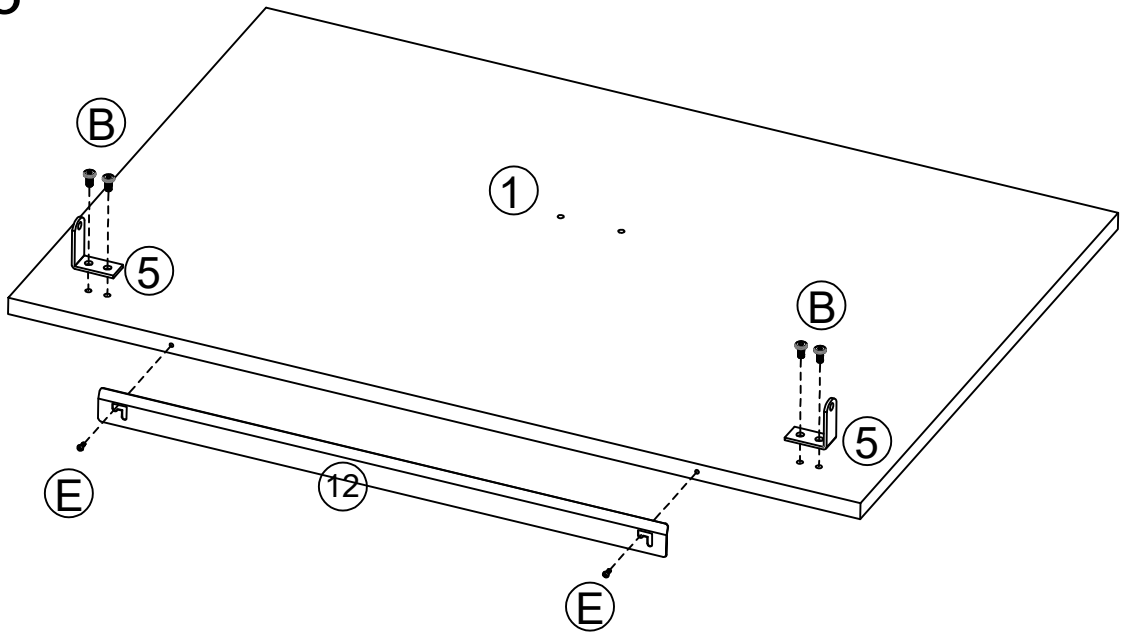


STEP 2

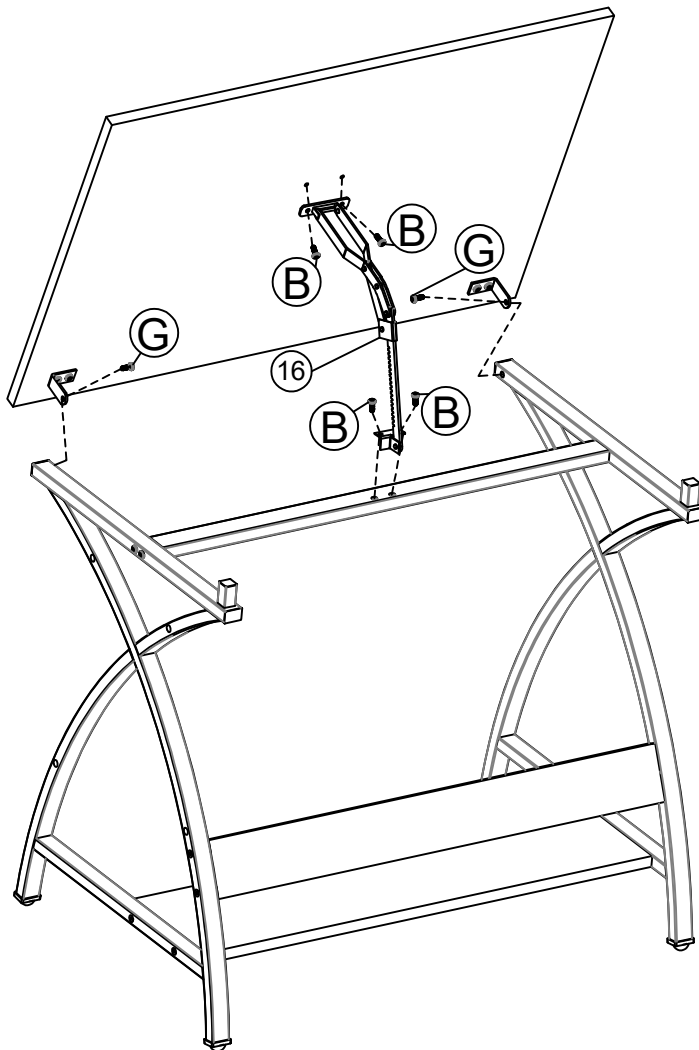


DRAWING DESK

STEP 3

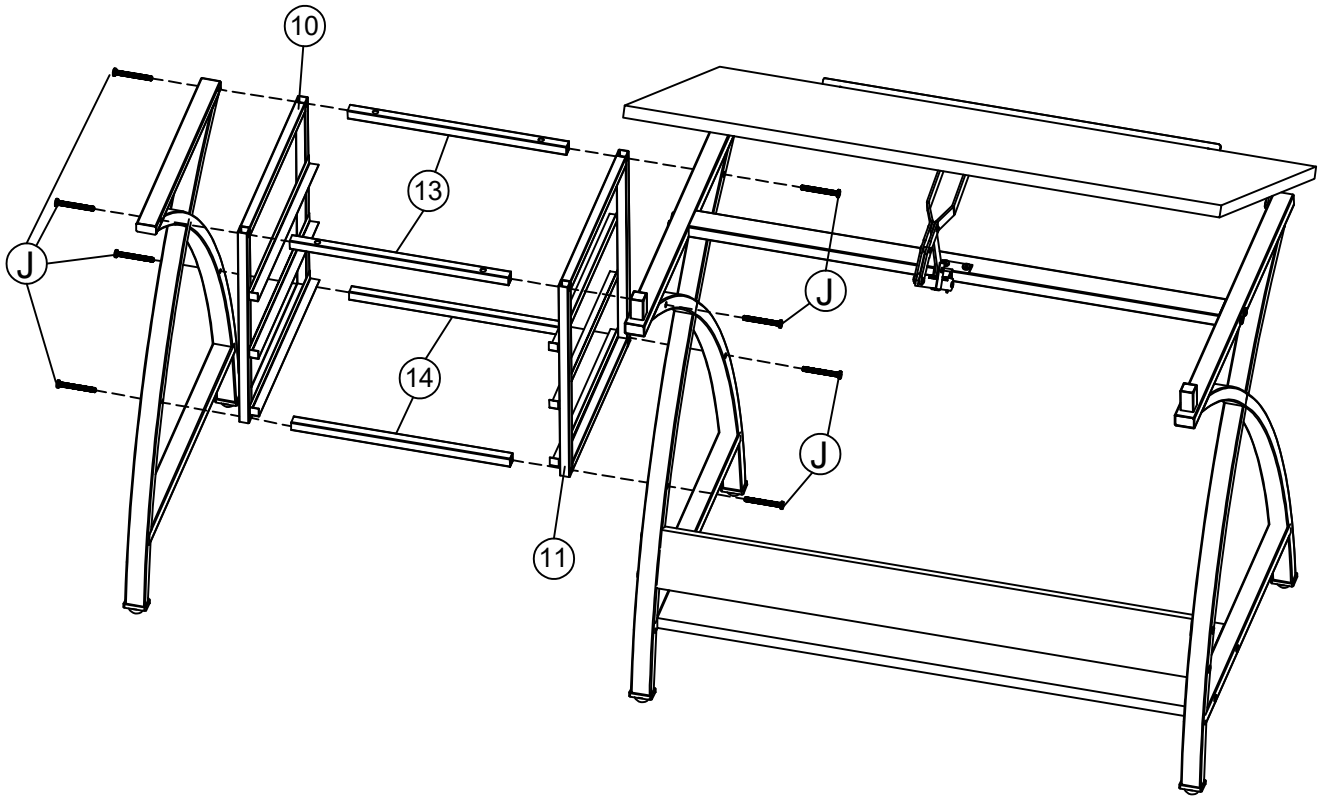


STEP 4



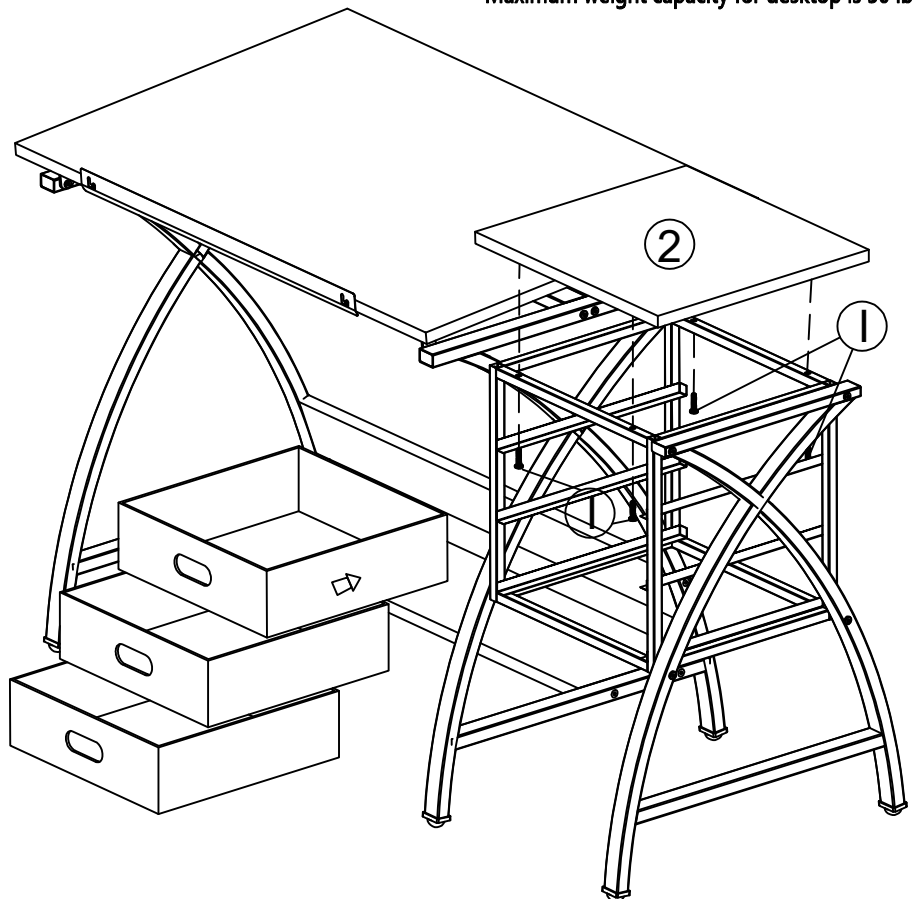
DRAWING DESK

STEP 5

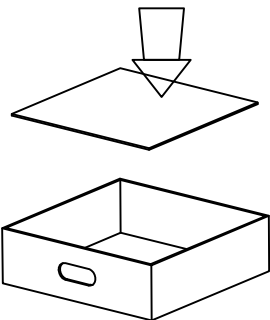


STEP 6

Maximum weight capacity for desktop is 50 lbs.



15

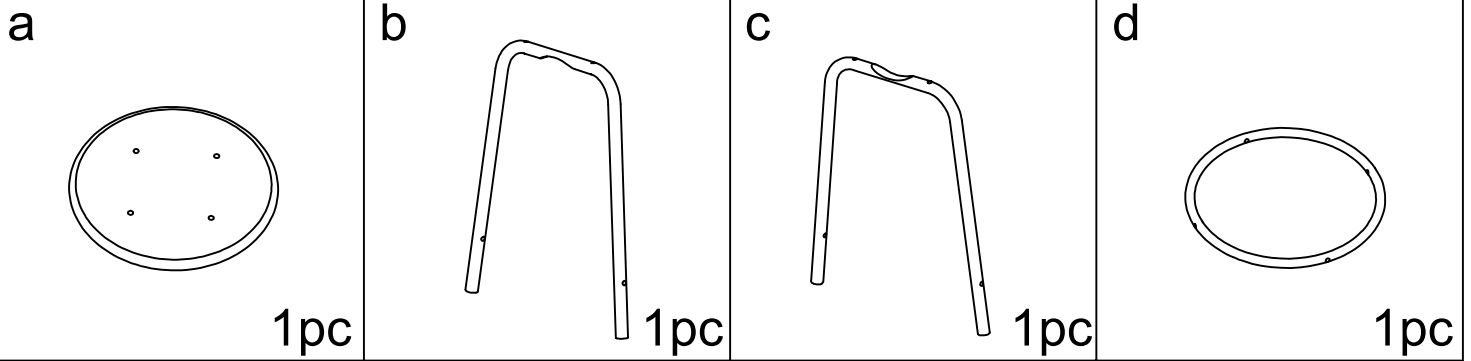


Maximum weight capacity for each drawer is 8 lbs.

DRAWING DESK

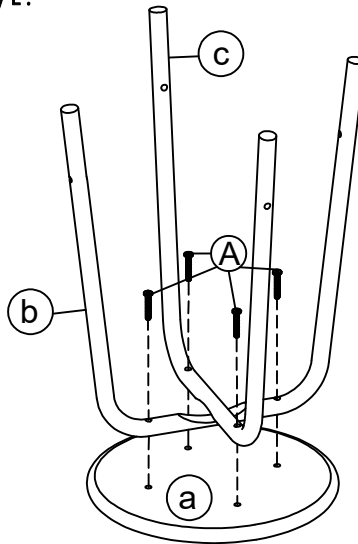
OPTIONAL STOOL ASSEMBLY INSTRUCTION

Attention: Do not tighten the bolts until you completed setup assembly.



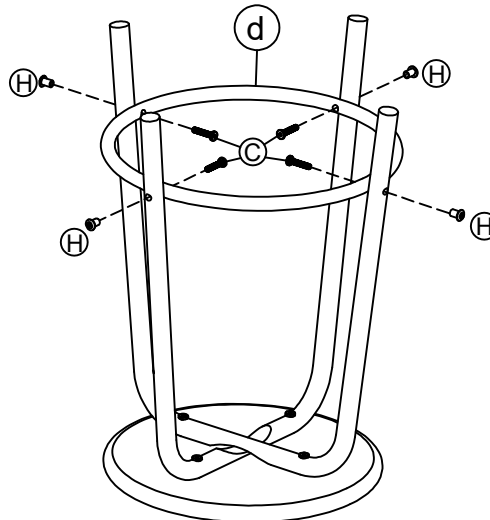
STEP 1

Fit part b and c to part a using bolts A and allen key L.



STEP 2

Fit part d to stool using bolts inserts H, bolts C and allen key L.



Maximum weight capacity for stool is 200 lbs.