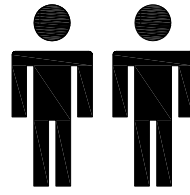


HEIGHT ADJUSTABLE DRAWING DESK

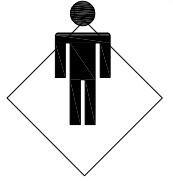
1.5hr

APPROXIMATE ASSEMBLY TIME

2 PERSON ASSEMBLY

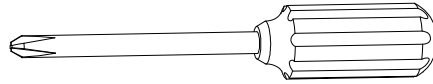


AREA
2M X 2M

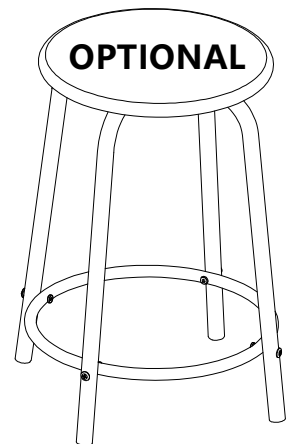
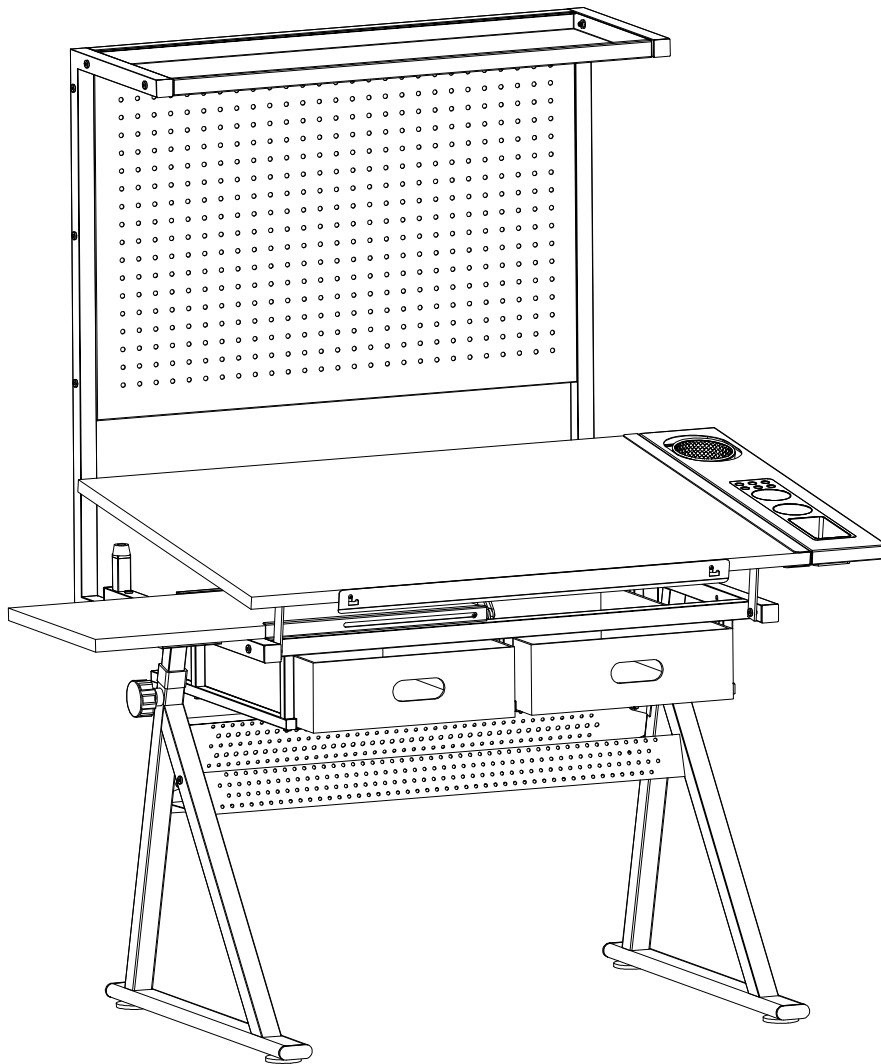


REQUIRED ASSEMBLY SPACE

REQUIRED TOOL



PHILLIPS SCREWDRIVER



OPTIONAL

HEIGHT ADJUSTABLE DRAWING DESK

Tips before you start:

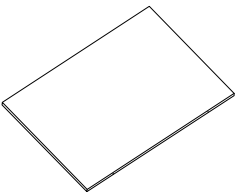
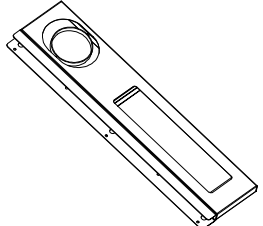
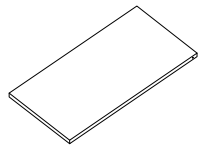
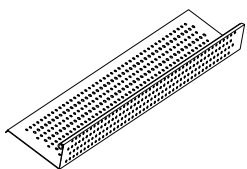
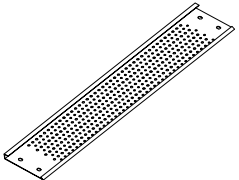
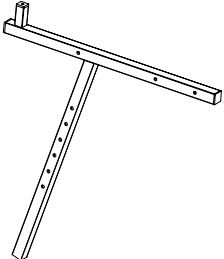
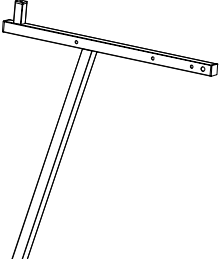
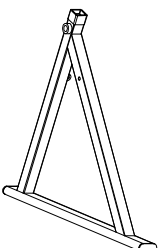
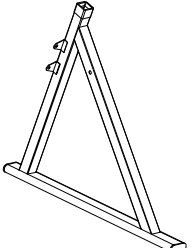
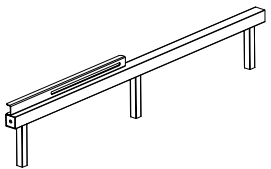
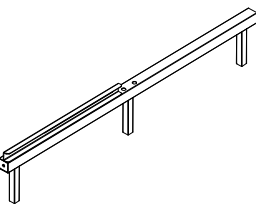
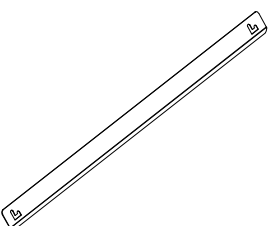
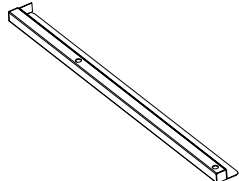
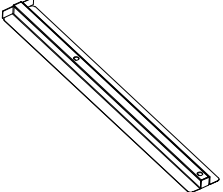
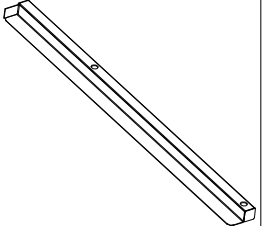
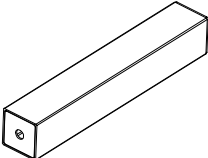
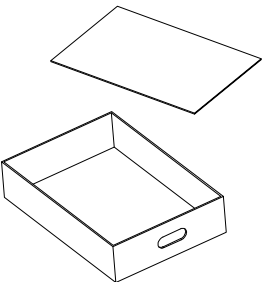
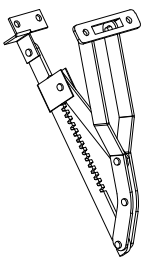
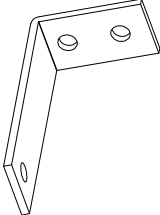
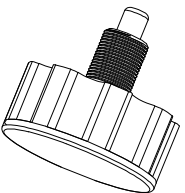
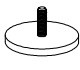

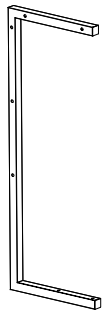
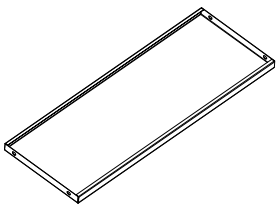
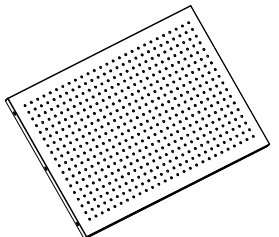
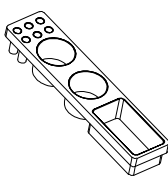

1. Please check that all parts are present before you start the assembly of your furniture.
2. For ease and speed of assembly,we recommend that before you commence each step of the assembly,that you identify all the parts required for that step.
3. For larger items,please ensure that you have sufficient space and people (as indicated on page 1)to assemble your product safely.
4. We recommend that,where possible,all items are assembled near to the area in which they will be placed in use,to avoid moving the product unnecessarily once assembled.
5. For the protection of your furniture,we recommend that the product is placed on a protected surface during assembly to prevent any damage.
6. During assembly please take care not to over-tighten any fittings,as this may damage the product.Do not use power tools.
7. Always place the product on a flat,steady and stable surface.
8. Do not stand on the product.Do not use the product as a stepladder.
9. This product is intended for indoor,household use only as it is a non-industrial product.
10. Please use caution and care when lifting the product to avoid personal injury and product damage.

Care and Maintenance of your Furniture

- ☑ Please periodically check all fittings and re-tighten as necessary.
- ☑ To clean your item,please use a damp cloth and wipe clean.
- ☑ Never allow any kind of liquid to remain on your furniture.Absorption can cause wood to warp or finishes to de-laminate.
- ☑ Please do not place hot items (eg.hot drinks)directly on to the surface.
- ☑ Please do not drag and pull your furniture.

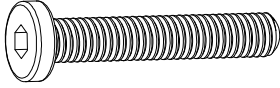
HEIGHT ADJUSTABLE DRAWING DESK

PARTS LIST

1  1pc	2  1pc	3  1pc	4  1pc	5  1pc
6  1pc	7  1pc	8  1pc	9  1pc	10  1pc
11  1pc	12  1pc	13  1pc	14  1pc	15  1pc
16  1pc	17  2pcs	18  1pc	19  2pcs	20  2pcs
21  4pcs	23  1pc	25  2pcs	26  1pc	27  1pc
22  1pc	24  2pcs			

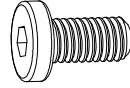
HEIGHT ADJUSTABLE DRAWING DESK

HARDWARE LIST

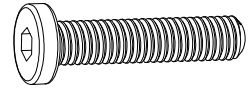


Bolt A X 14
M6 X 35MM

(A X 10 if stool not included)

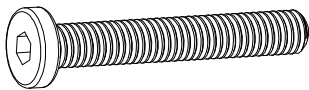


Bolt B X 14
M6 X 12MM



Bolt C X 10
M6 X 28MM

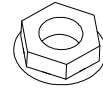
(C X 6 if stool not included)



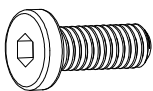
Bolt D X 7
M6 X 40MM



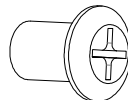
Screw E X 10
M4 X 12MM



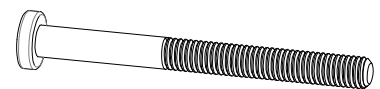
Nut F X 18



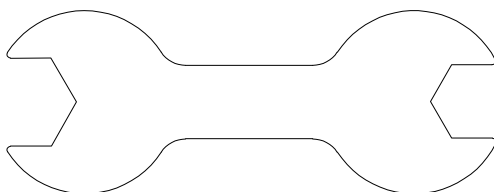
Bolt G X 2
M6 X 16MM



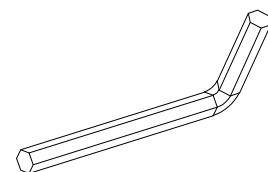
Bolt Insert H X 4
(H X 0 if stool not included)



Bolt J X4
M6 X 60MM



Spanner
K X 1



Allen Key
L X 1

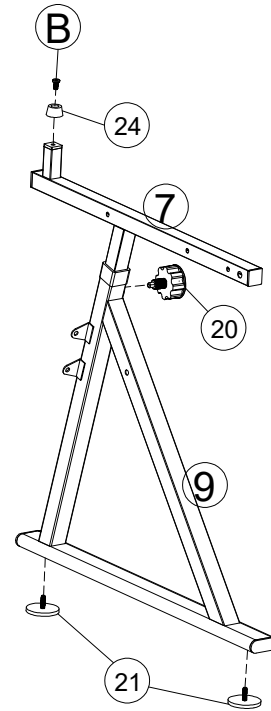
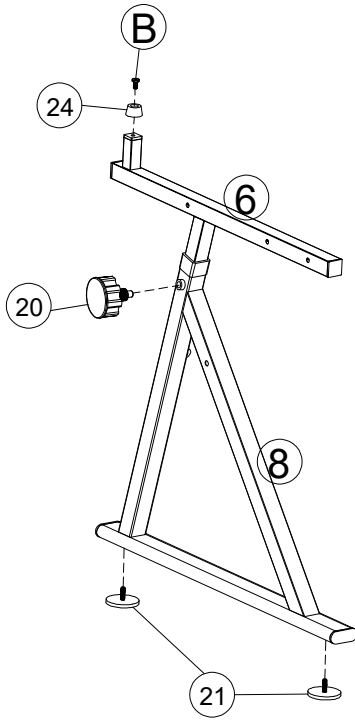
HEIGHT ADJUSTABLE DRAWING DESK

STEP 1

Fit parts 21 to parts 8 and 9.

Fit parts 20 to parts 8 and 9.

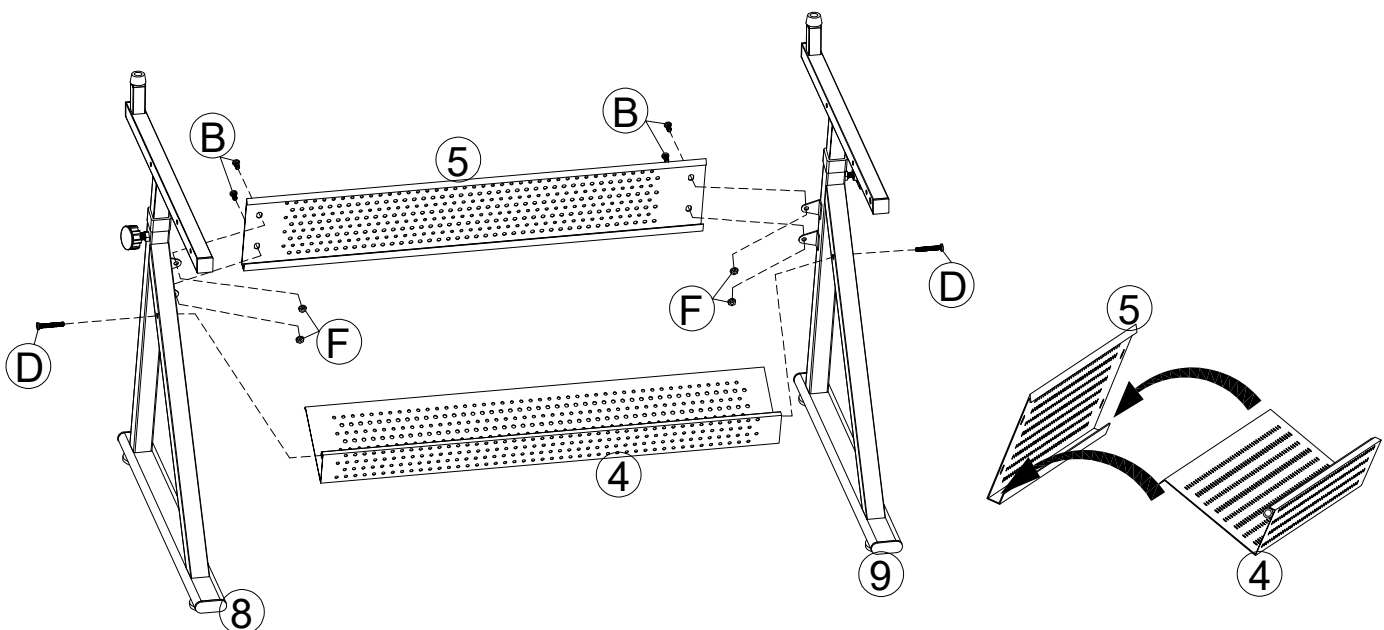
Fit parts 24 to parts 6 and 7 using bolts B and allen key L.



STEP 2

Fit parts 5 to parts 8 and 9 using bolts B, nuts F and allen key L.

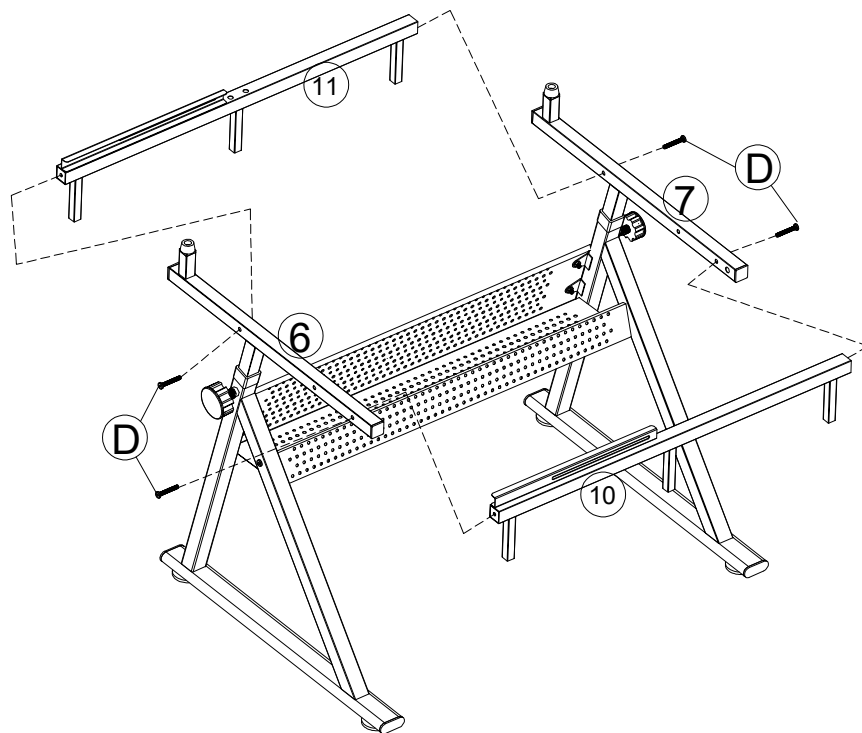
Fit parts 4 to assembled unit by first hooking part 4 to part 5 as shown, then secure using bolts D with allen key L.



HEIGHT ADJUSTABLE DRAWING DESK

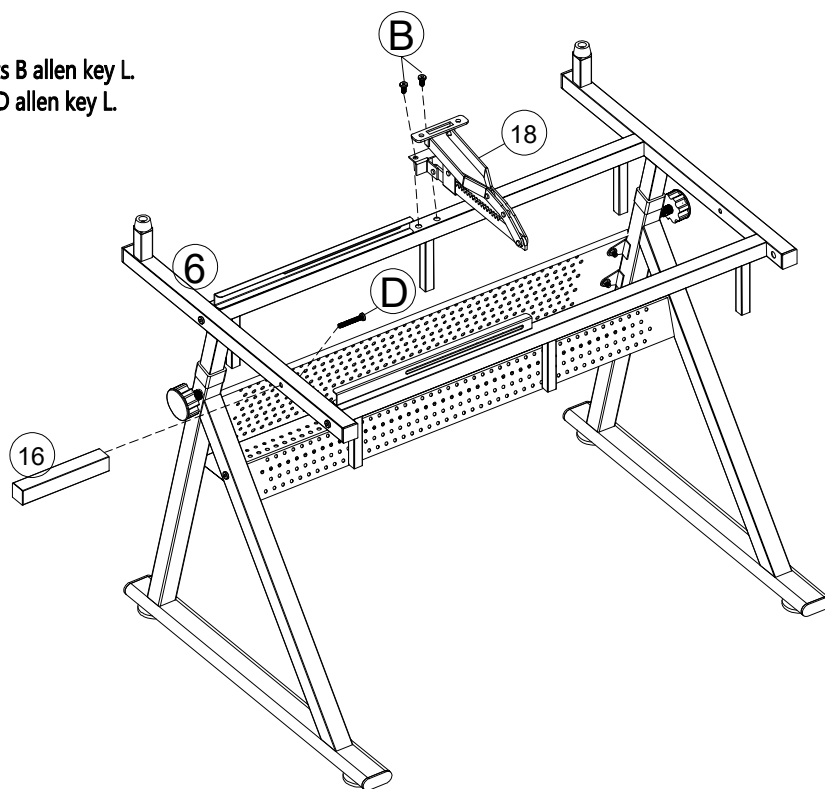
STEP 3

Fit parts 10 and 11 to parts 6 and 7 using bolts D and allen key L.



STEP 4

Fit parts 18 to parts 11 using bolts B allen key L.
Fit parts 16 to parts 6 using bolt D allen key L.



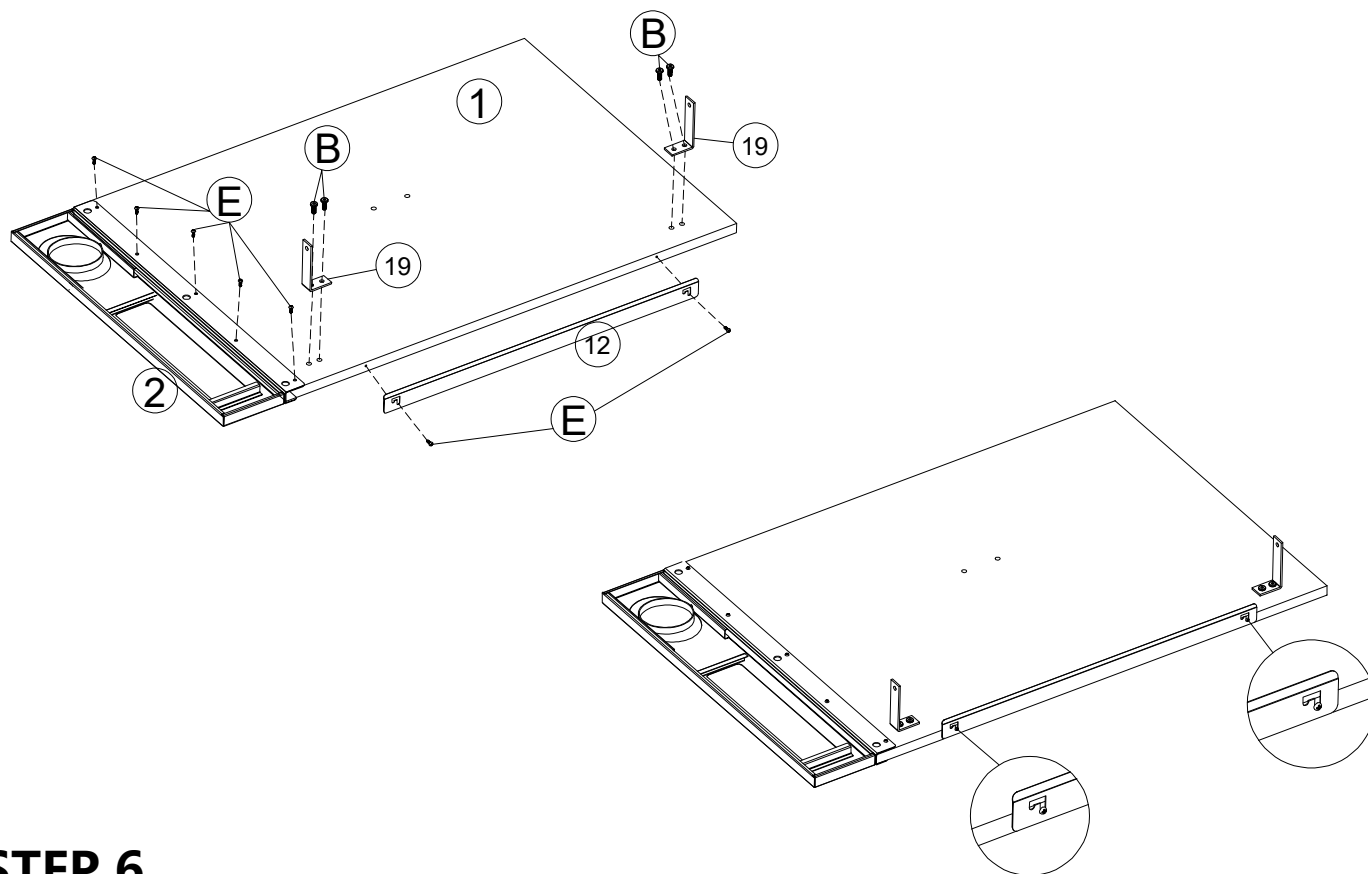
HEIGHT ADJUSTABLE DRAWING DESK

STEP 5

Fit parts 12 to parts 1 using screws E.

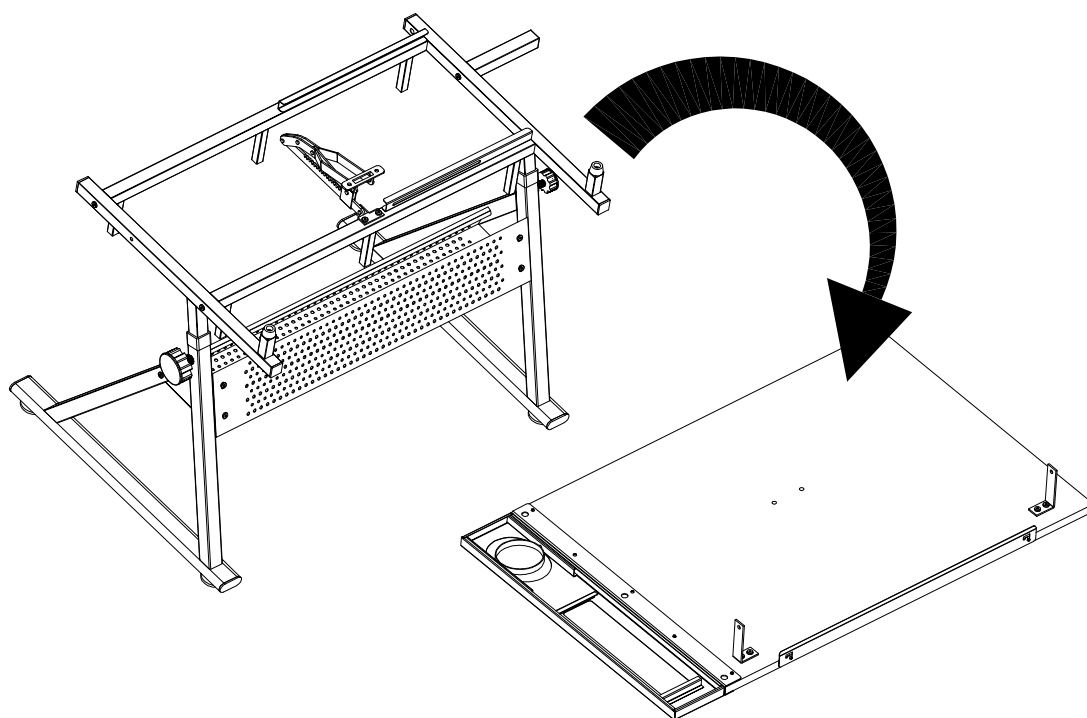
Fit parts 2 to parts 1 using screws E.

Fit parts 19 to parts 1 using bolts B and allen key L.



STEP 6

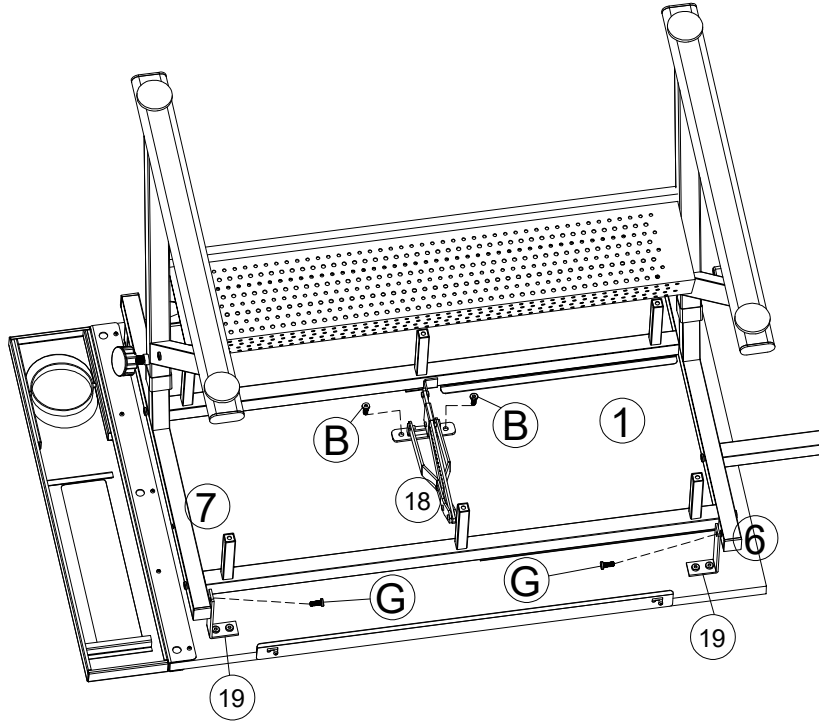
Turn over the assembled frame and attach it to the desktop.



HEIGHT ADJUSTABLE DRAWING DESK

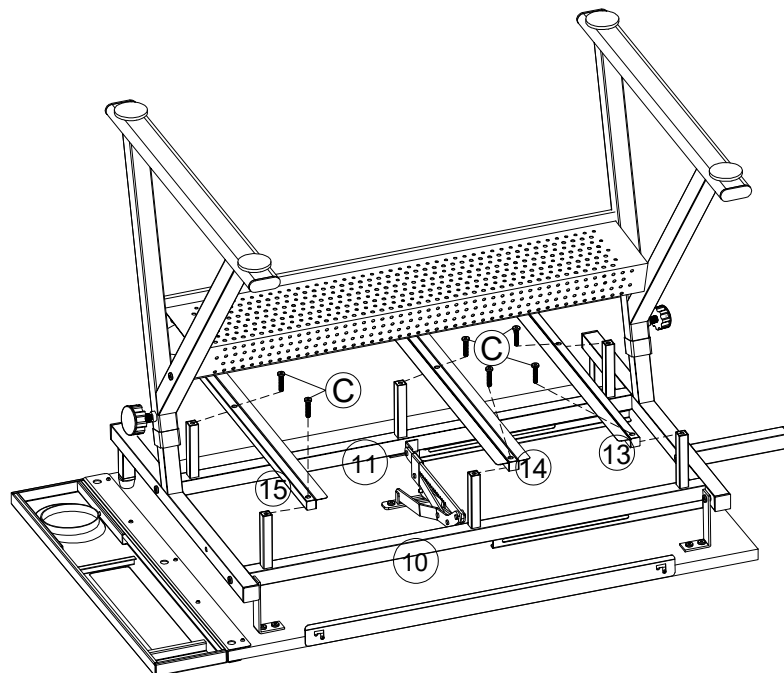
STEP 7

Fit parts 19 to parts 6 and 7 using bolts G and allen key L.
Fit parts 18 to desktop parts 1 using bolts B and allen key L.



STEP 8

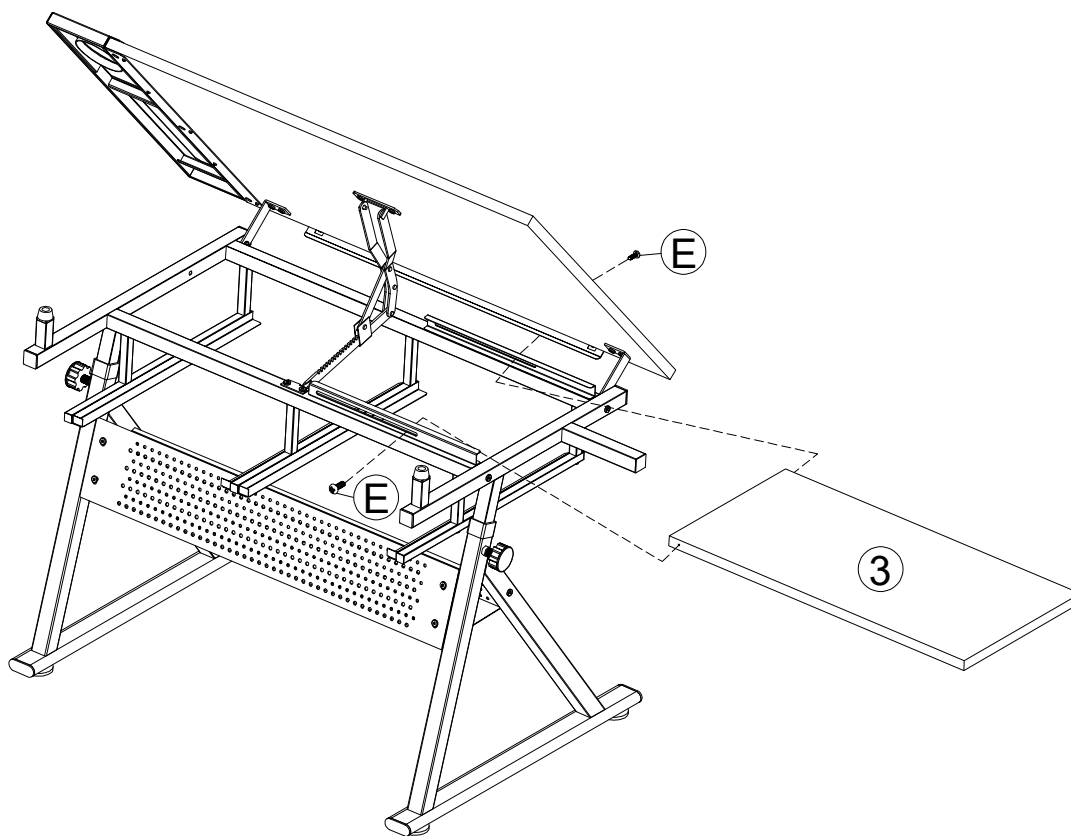
Fit parts 13, 14 and 15 to parts 10 and 11 using bolts C and allen key L.



HEIGHT ADJUSTABLE DRAWING DESK

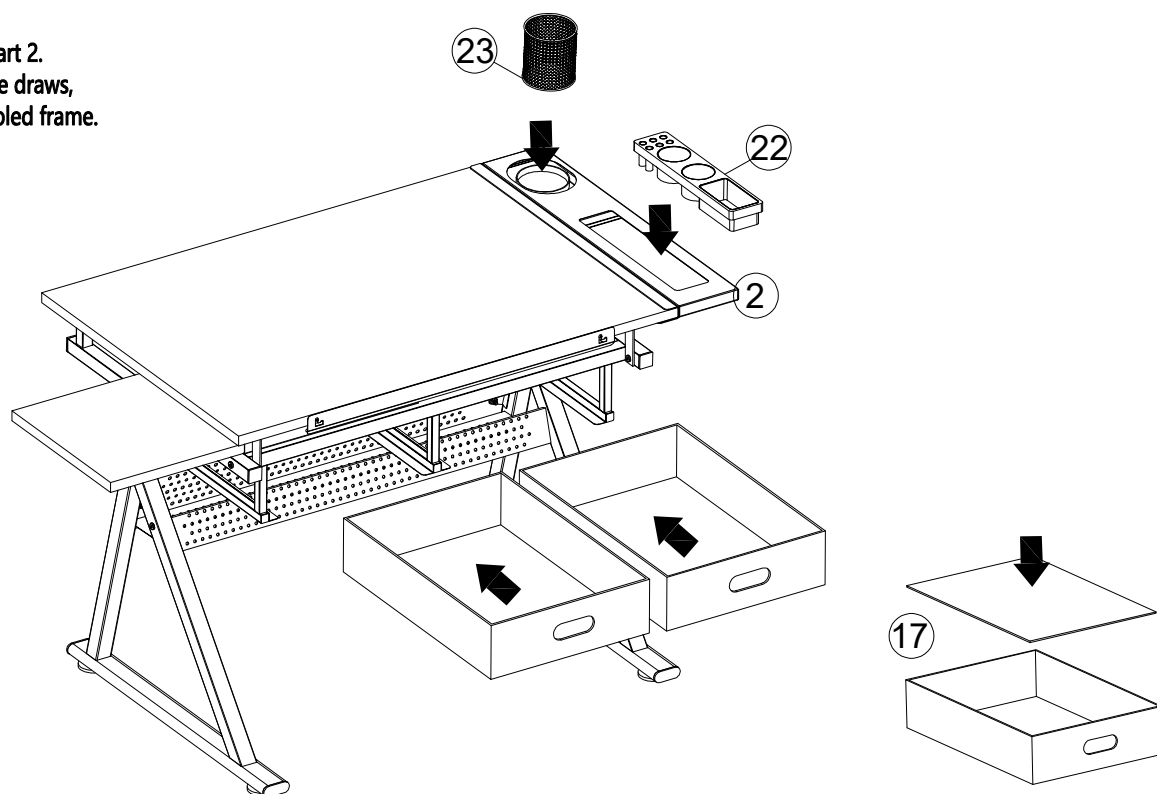
STEP 9

Slide part 3 to assembled frame as shown.
Fit part 3 to assembled frame using screws E.



STEP 10

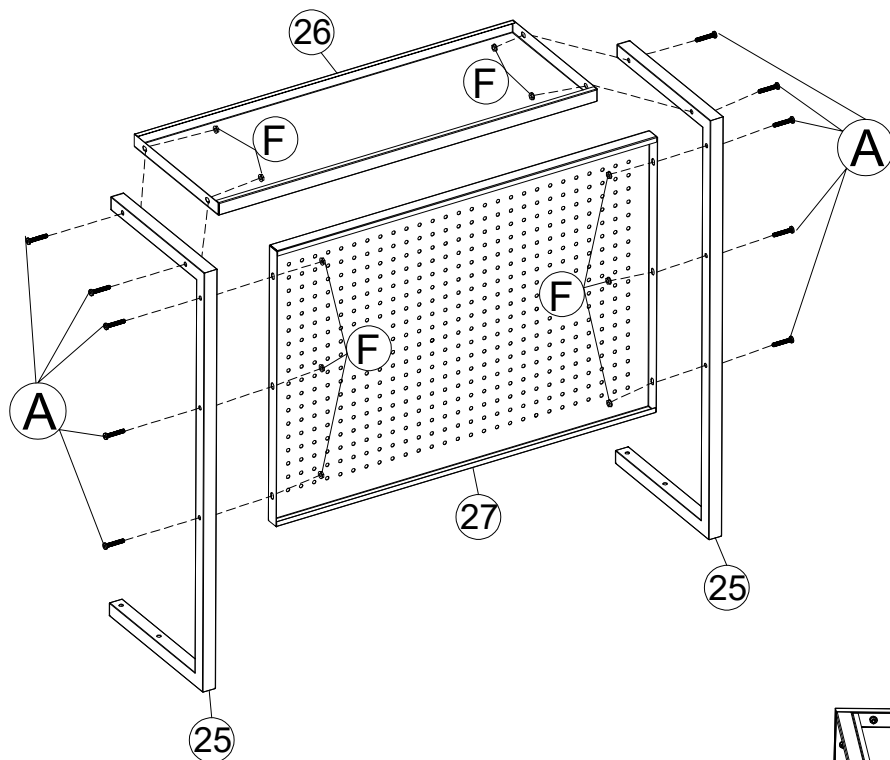
Insert part 22 and 23 to part 2.
Insert base boards into the draws,
then slide into the assembled frame.



HEIGHT ADJUSTABLE DRAWING DESK

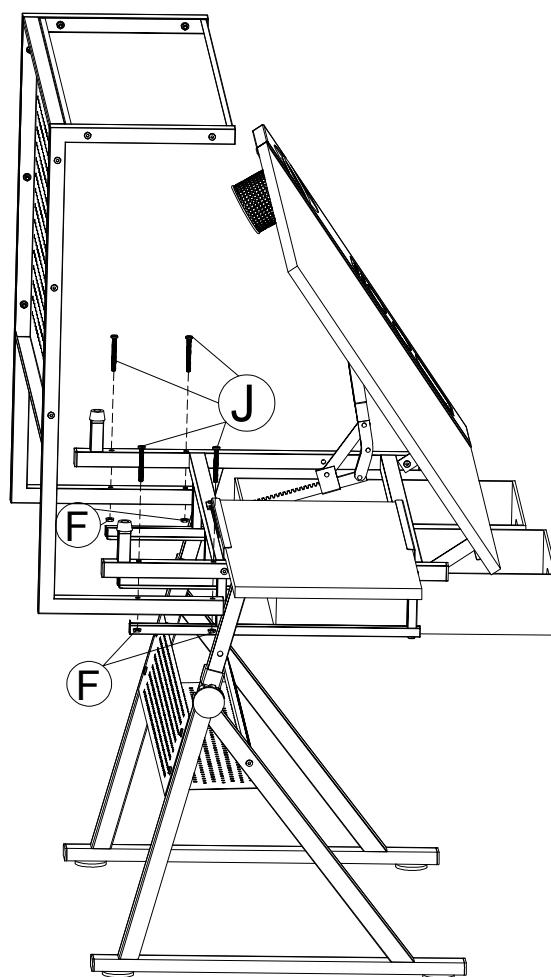
STEP 11

Fit part 25 to parts 26 and 27 as shown using bolts A, nuts F, allen key L and spanner k.



STEP 12

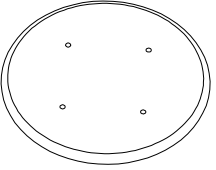
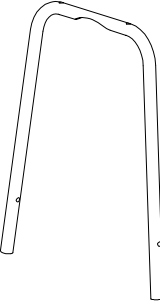
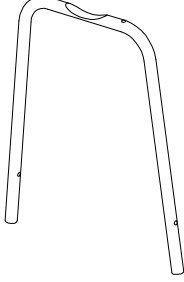
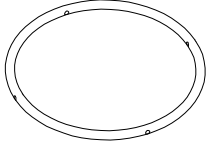
Fit the assembled pegboard unit to assembled desk frame as shown using bolts J, nuts F, spanner k and allen key L.



HEIGHT ADJUSTABLE DRAWING DESK

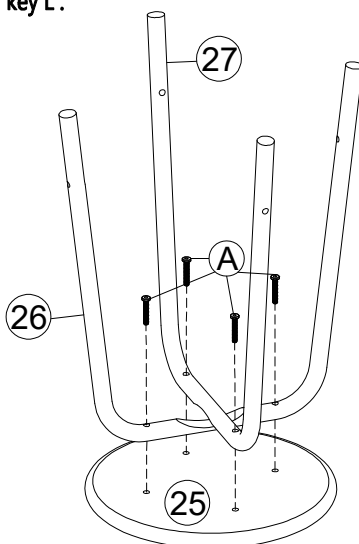
OPTIONAL STOOL ASSEMBLY INSTRUCTION

Attention: Do not tighten the bolts until you completed setup assembly.

<p>25</p>  <p>1pc</p>	<p>26</p>  <p>1pc</p>	<p>27</p>  <p>1pc</p>	<p>28</p>  <p>1pc</p>
--	--	---	--

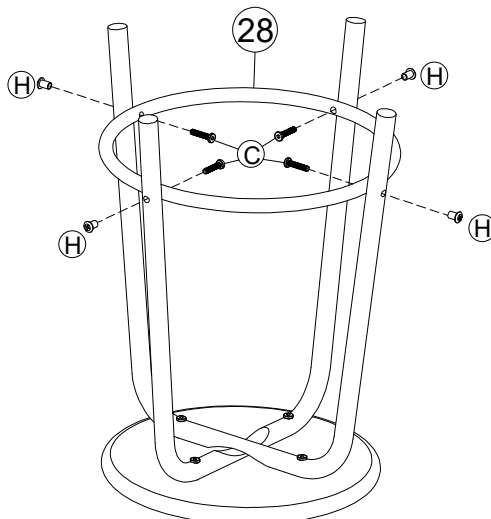
STEP 1

Fit part 26 and 27 to part 25 using bolts A and allen key L.



STEP 2

Fit part 28 to stool using bolts inserts H, bolts C and allen key L.



HEIGHT ADJUSTABLE DRAWING DESK

Finish!

Your height adjustable drawing desk are ready to use.
Maximum recommended weight limit is 50lbs for desk and 200lbs for stool.
Maximum recommended weight limit is 10lbs for pegboard and top board.

