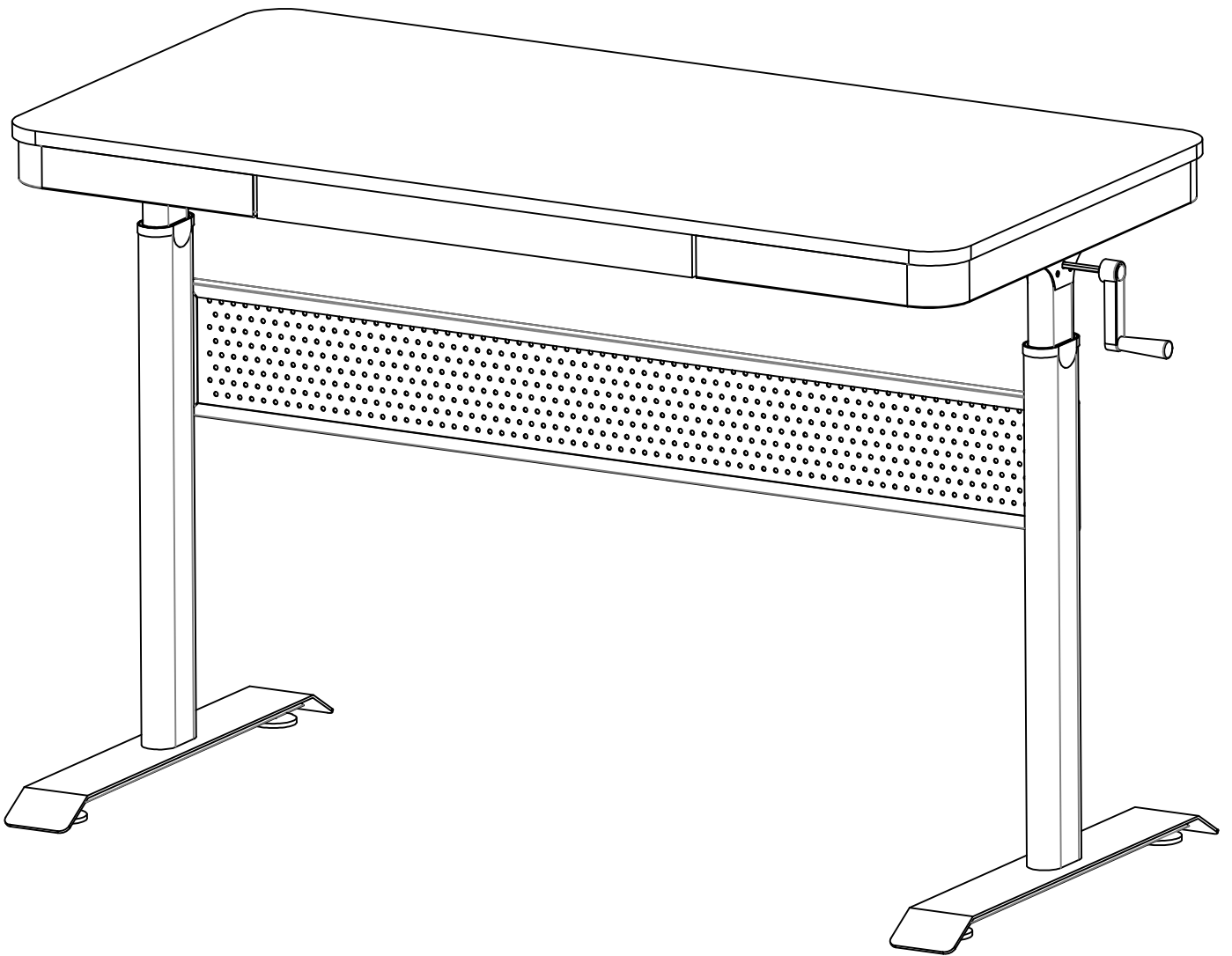
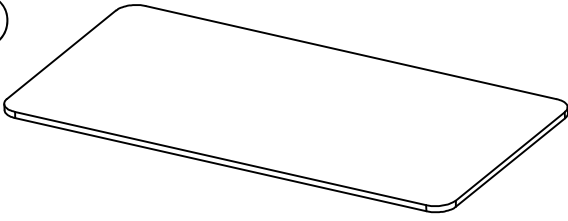


# Height Adjustable Table



# PARTS LIST

①



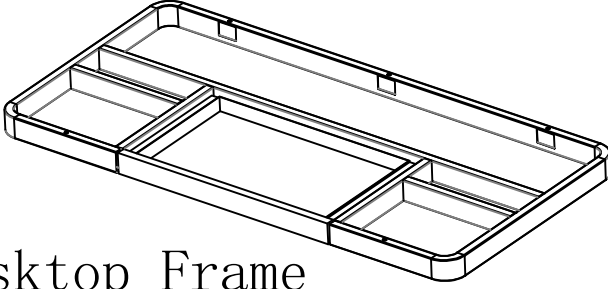
Desktop (MDF/Glass) X1

②



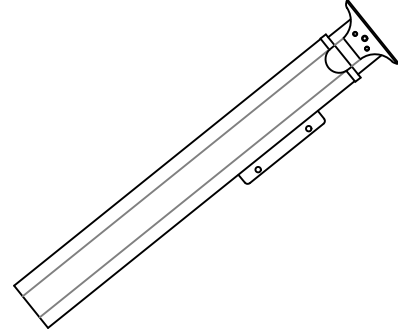
Hex Stick X1

③



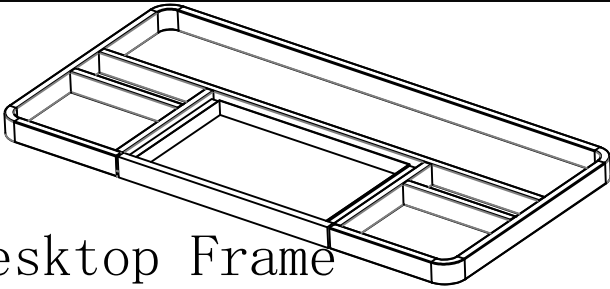
Desktop Frame  
(For MDF Top) X1

④



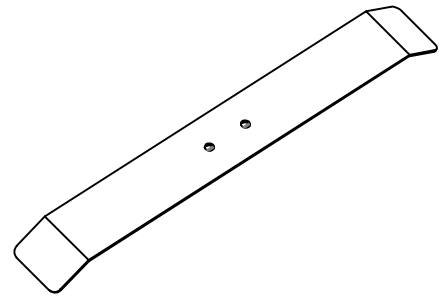
Legs X2

OR



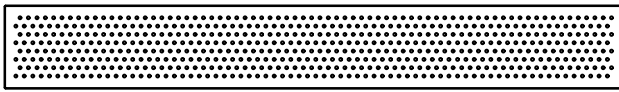
Desktop Frame  
(For Glass Top) X1

⑤



Feet X2

⑥



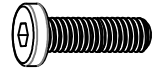
X1

A



Bolt M6\*12mm  
(For Glass Top) X12  
(For MDF Top) X17

B

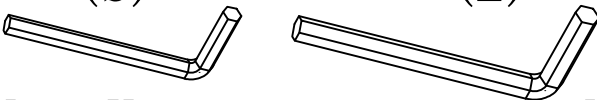


Bolt M8\*50mm X4

C

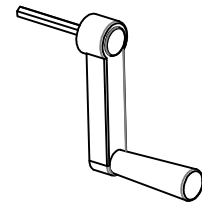
(S)

(L)



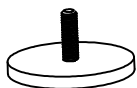
Hex Key X2

E



Handle X1

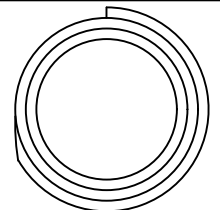
D



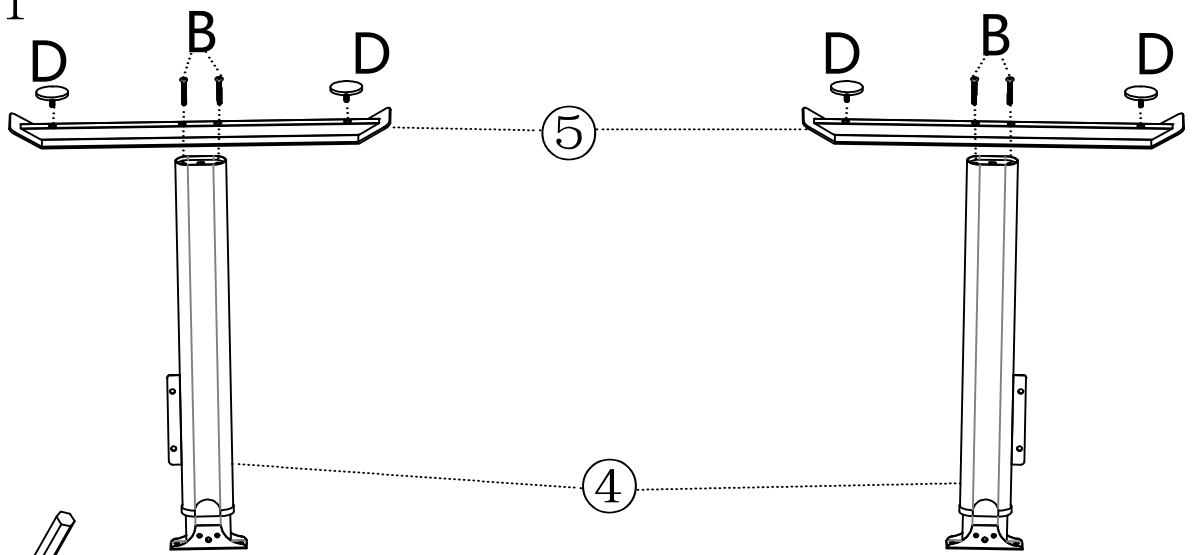
X4

F

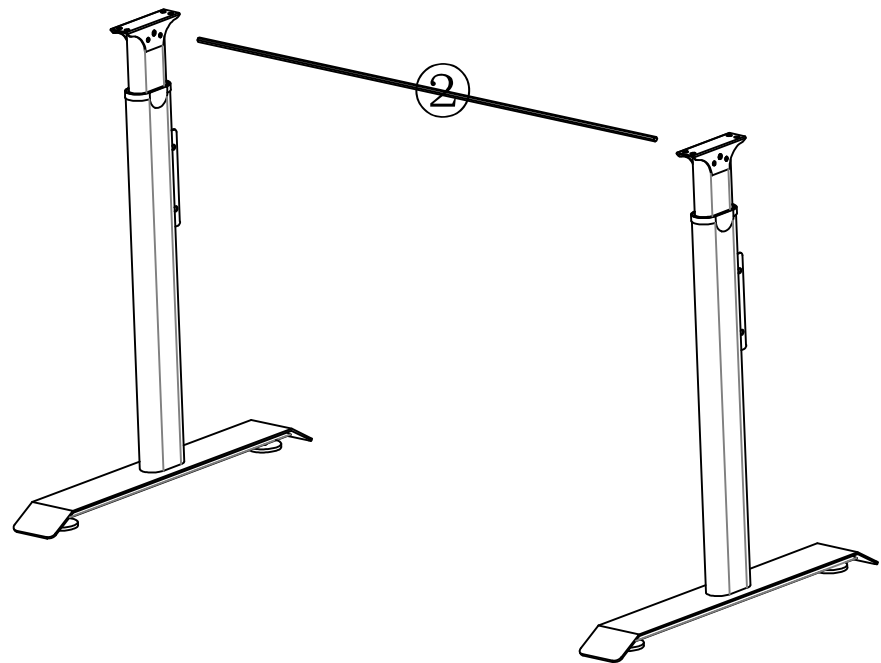
Only For  
Glass Top  
Double Sided Tape X1



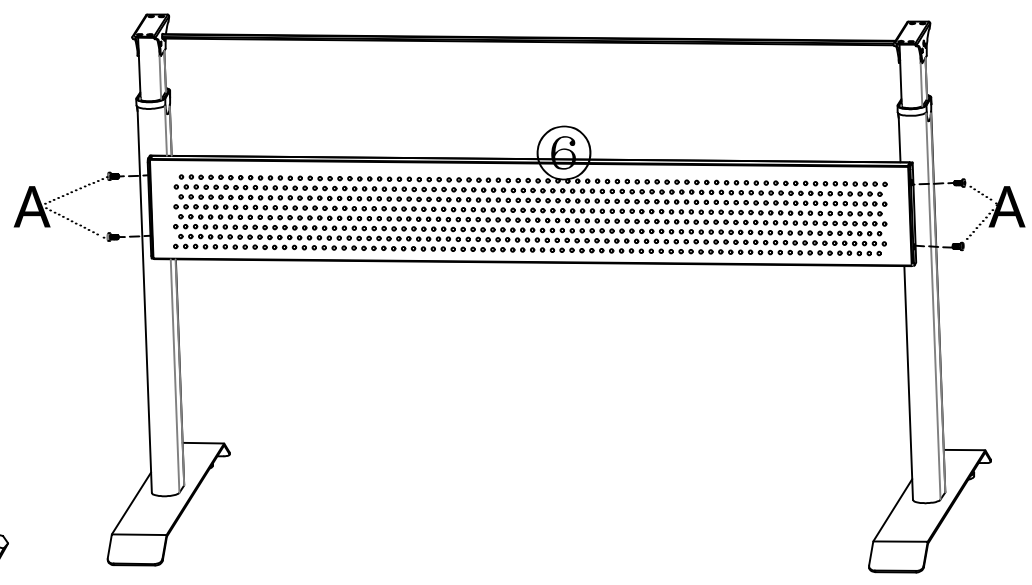
# STEP 1



# STEP 2

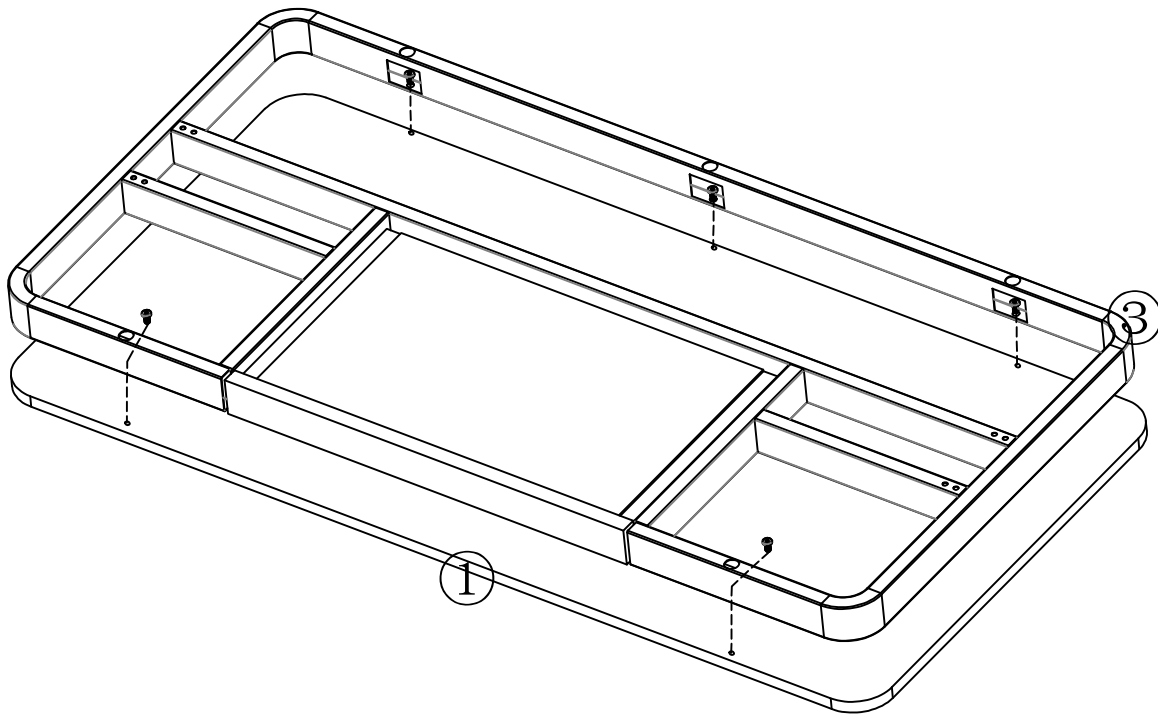


# STEP 3

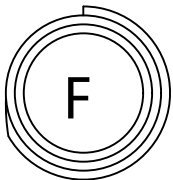
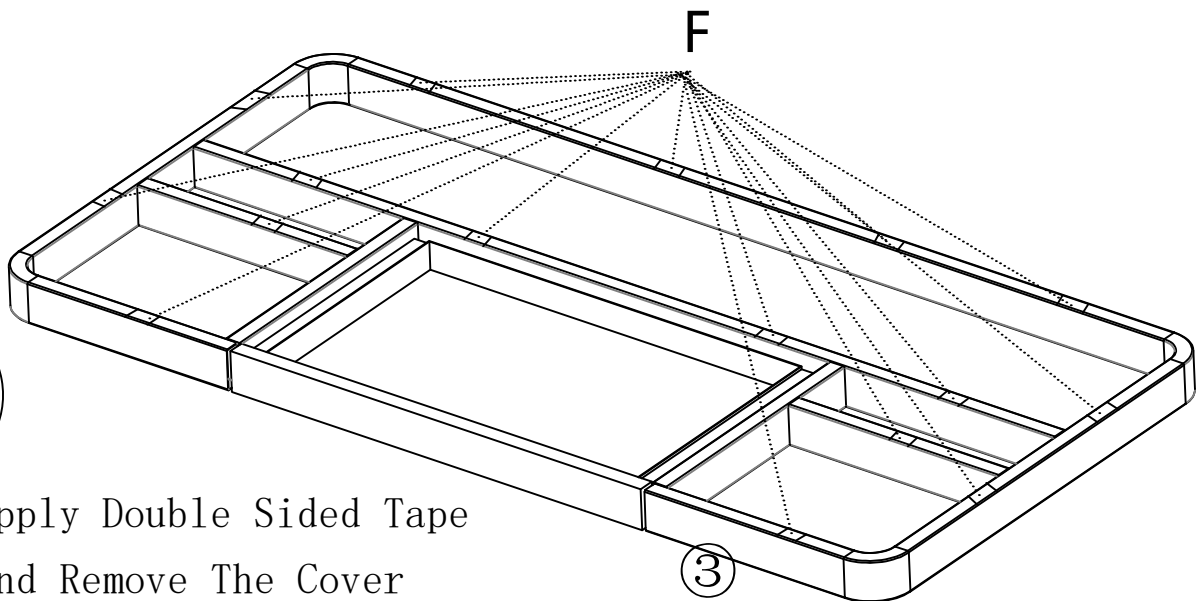
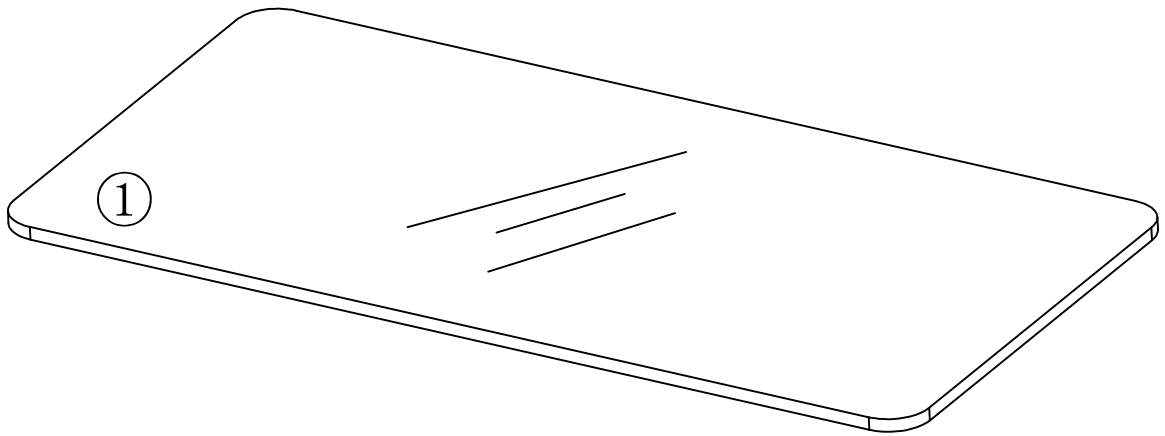


# STEP 4 For MDF TOP

(S)



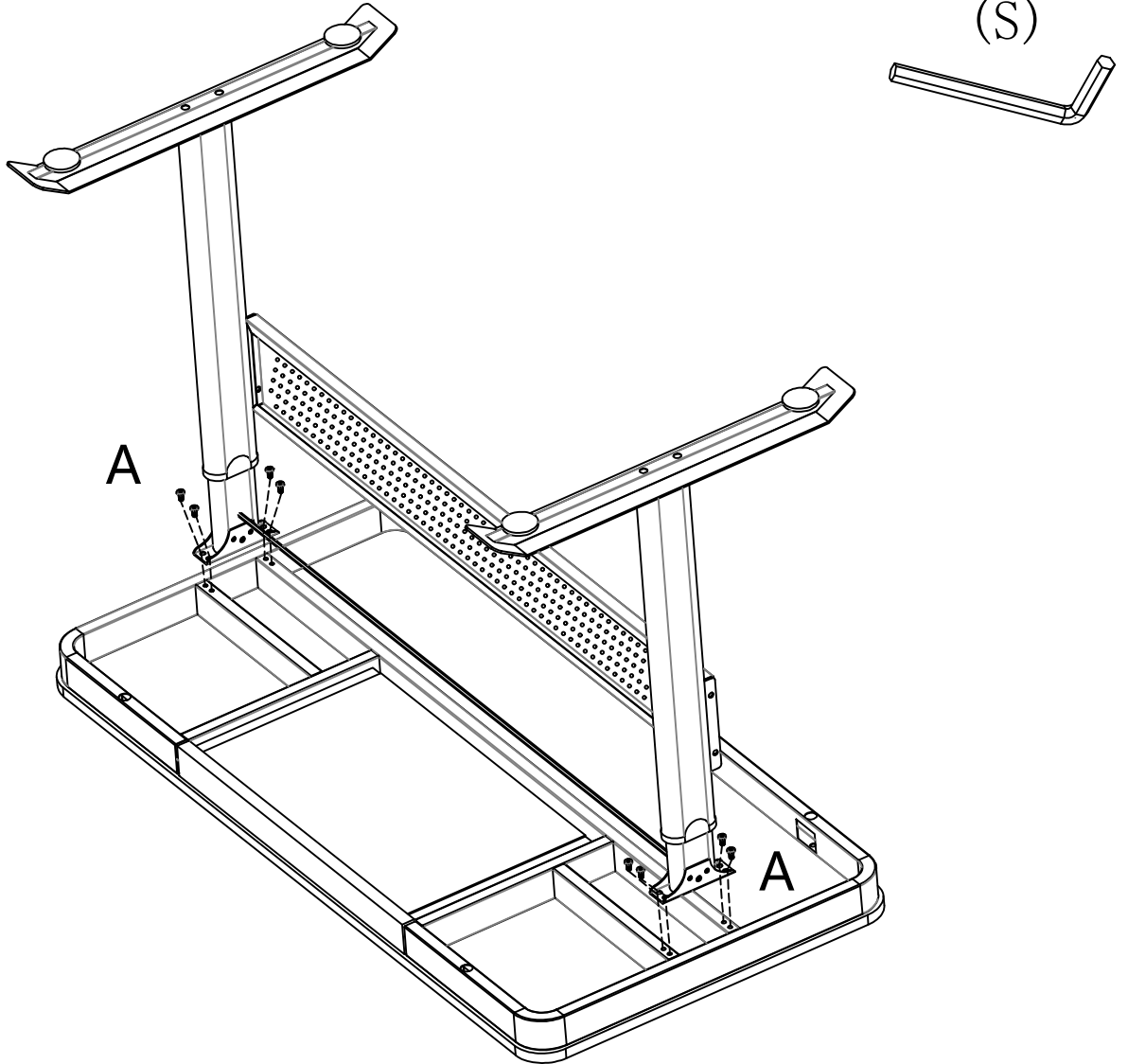
# STEP 4 For GLASS TOP



Apply Double Sided Tape  
And Remove The Cover

STEP 5

(S)



FINISH!

