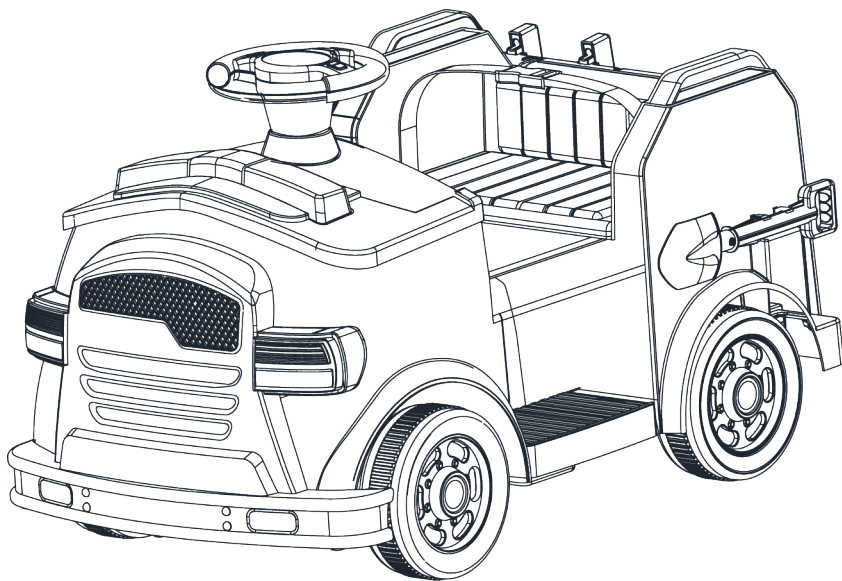


# Interactive Firetruck



- Age : 3-7 years old
- Maximum Loading weight: 35kg
- Assembly and each charge must be completed by an adult

## ASSEMBLY INSTRUCTION

Please read this manual carefully before use.

This manual includes important information,  
for future reference.

For the first use, it is recommended to charge for 4~6 hours.

# WARNING



To prevent children suffocating from plastic big while playing, please keep it away with children.



Only allow to use this product on flat ground  
(Not recommended to play on outdoor)






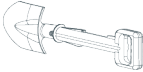




## SPECIFICATION

Thank you for purchasing our products. We are always work hard to design comfortable and safe children's electric ride on toys to accompany your children through a lively and happy childhood.

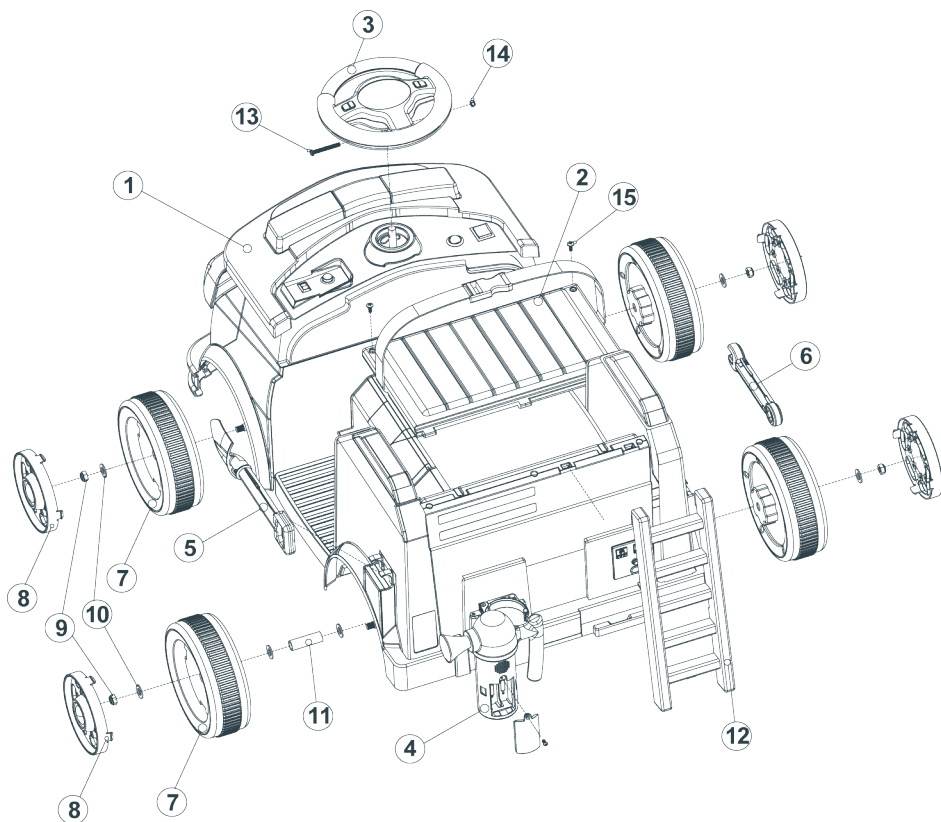
A very important thing before using is to read this assembly instruction carefully. It will teach you the detailed installation procedures and the correct method of using. It can also guide you to avoid improper operations that damage the product or harm the kid. Especially, the important thing is that it will teach you a lot of safety precautions. Please memorize these contents and guide your children to use it. Please keep the assembly instruction properly and keep it in a place where it is easily to get.

Battery & fuse:	12V 4.5AH x1 (Fuse: 7A)		
Age:	3-7 years old	Size:	85.5x47.5x50.0CM
Loading weight:	Less than 35kg	Speed:	2.5KM/H
Battery life:	300 times of charging	Charger:	Input: 100-240V Output: DC 12V 500MA
Charging time:	8~12 hours		

# PART LIST

PART NO.	PART NAME	Part Figure	Qty	Remark	PART NO.	PART NAME	Part Figure	Qty	Remark
1	Body		1		2	Wheels 1		4	
3	Wheels 2		4		4	Steering wheel		1	
5	Fire Extinguisher		1		6	Shovel		1	
7	Tool		1		8	Ladder		1	
9	Charger		1		10	Hexagonal wrench		2	

# ILLUSTRATION

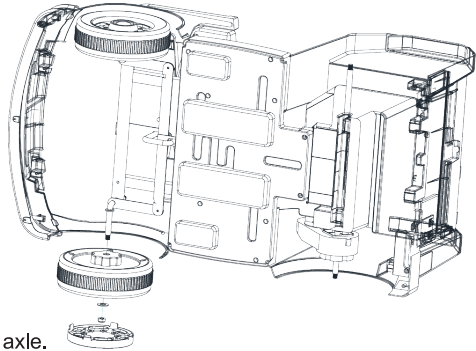


1	Body*1	2	Seat*1	3	Steering Wheel*1
4	Fire Extinguisher*1	5	Shovel*1	6	Tool*1
7	Wheels 1 *4	8	Wheels 2 *4	9	M8 Nut *4
10	Φ10.5 Gasket *6	11	Axle cap*1	12	Ladder *1
13	M5*40 screw *1	14	M5 Nut *1	15	B4*12 screw *2

# ASSEMBLY STEPS

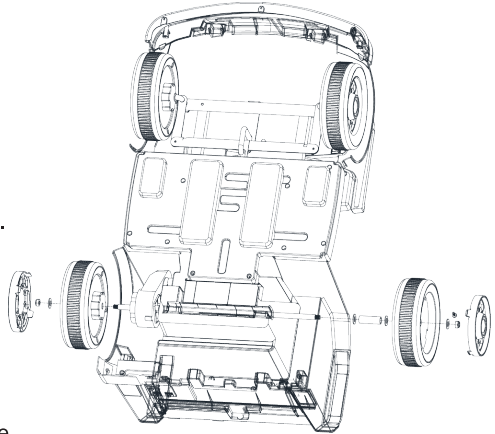
1. Assemble the vehicle before using, must be operated by an adult
2. Tools required for installation: screwdriver
3. Small parts would be the risk of choking, children are strictly prohibited to touch and play!
4. Please be carefully check the quantity of all parts before installation, and the packaging plastic bag, please keep it properly, children are strictly prohibited to play, there is a danger of suffocation!

Tip: Do not over-tighten, make sure the wheels can rotate freely.



- 1** 1. Remove all parts from the front axle.  
2. Put in a  $\text{Ø}10.5$  washer, and use a socket wrench to fix the M8 self-locking nut on the front axle.  
3. Install the wheel cover on both sides, and screw them tight.

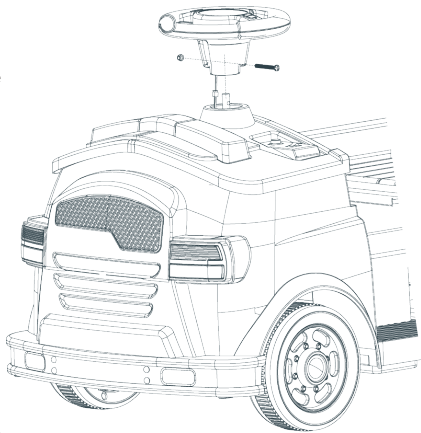
Tip: After the wheels at the both end are installed, use two socket wrenches to rotate the self-locking nuts on both sides in the opposite direction to ensure that the drive wheel is firmly fixed on the rear axle. But do not over-tighten it.



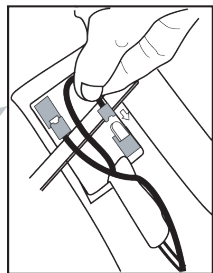
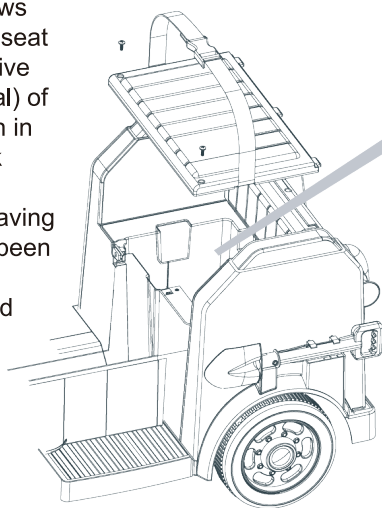
- 2** 1. Remove all parts on the rear axle.  
2. Install left wheel on the side of gear box, install a 10.5 gasket and then install the M8 screw.  
3. Install a  $\text{Ø}10.5$  gasket on the right, install axle cap, a 10.5 gasket and then the wheel.  
4. Insert a  $\text{Ø}10.5$  washer, and use a socket wrench to screw the M8 self-locking nut into the end of the rear axle.

# ASSEMBLY STEPS

- 3**
1. First remove the nut and screw on the direction rod with a Phillips screwdriver.
  2. Connect the wire interface on the steering wheel to the wire interface on the steering wheel.
  3. Align the center of the bottom of the steering wheel with the direction rod and insert the steering wheel. Note that after insertion, you need to use one hand to reach into the bottom of the vehicle body and hold the direction rod upward to align the hole at the upper end of the direction rod with the hole in the steering wheel.
  4. First install the nut into the direction of the hexagonal hole on the steering wheel, and then use a cross screwdriver from the other side to lock the screw into the aligned screw hole.

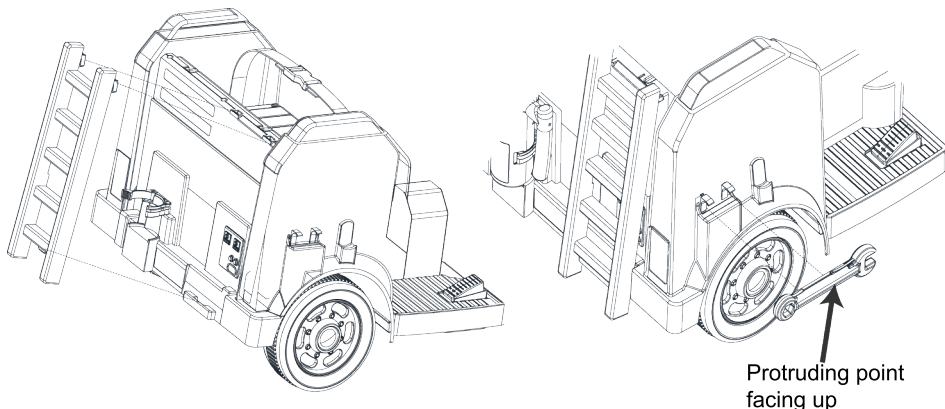


- 4**
1. Unscrew the screws on both sides of the seat
  2. Connect the positive terminal (red terminal) of the battery as shown in the figure. The black terminal has been connected before leaving the factory and has been hot-melted.
  3. Install the seat and lock the screws.

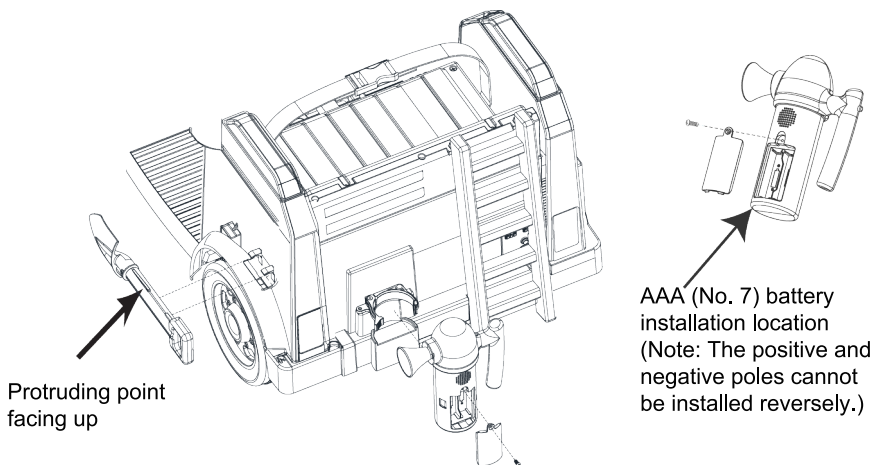


# ASSEMBLY STEPS

- 5** 1. The two hooks on the ladder face the two countersunk holes on the body, and the protruding point at the lower end of the ladder faces the installation position on the body. Install the ladder behind the body.
2. Install the wrench into the installation position on the right side of the body. The positioning opening on the wrench faces upwards. Press the wrench into the mounting position on the right body.



- 6** 1. Install the shovel on the left side of the vehicle body in the same way as the step-up wrench.
2. Install the fire extinguisher behind the car body as shown in the figure, with the battery cover of the fire extinguisher facing outward.
- The two buckles on the car body should be stuck in the slots on the car body.



# WARNING!

To prevent accident happend:

- When playing the car,it must be guided by adult or family to instruct,and adult should be accompanied with each other,keep your eye on your children all the time
- Don't play at dangerous place such as road,near car and stairs.
- It is necessary to wear a shoe.
- The applicable age range of this product:3-7 years old;The maximum load is 35kg.

## **Before using, noted to finish below process:**

- **IMPORTANT!** First use, the battery needs to be charged for at least 4 - 6 hours, not more than 10 hours,and the charging can only be operated by adults.
- Follow the steps described in the instruction manual to complete the installation of the whole toy. The battery plug-in has been plugged in and the power supply has been switched on;
- All positions requiring screw fixation ensure that they are locked.

## **Safty Warning**

Please teach your child and his playmates the following safety rules and make sure they understand them!

- Must be played under adult supervision.
- A protective helmet should be worn when playing the toy.
- When playing the toy, you must wear shoes.
- When playing the toy, you must sit on the seat.
- Make sure your child plays the toy in a safe playing environment, such as home, garden or playground.
- Note that the toy is only suitable for playing on a hard and flat road surface. In order to ensure safety, it is prohibited to play in the following unsafe environments:

**A** Ditch pits, riversides, lawns, slopes or uneven ground;

**B** Roads or other vehicle forms, places where pedestrians walk;

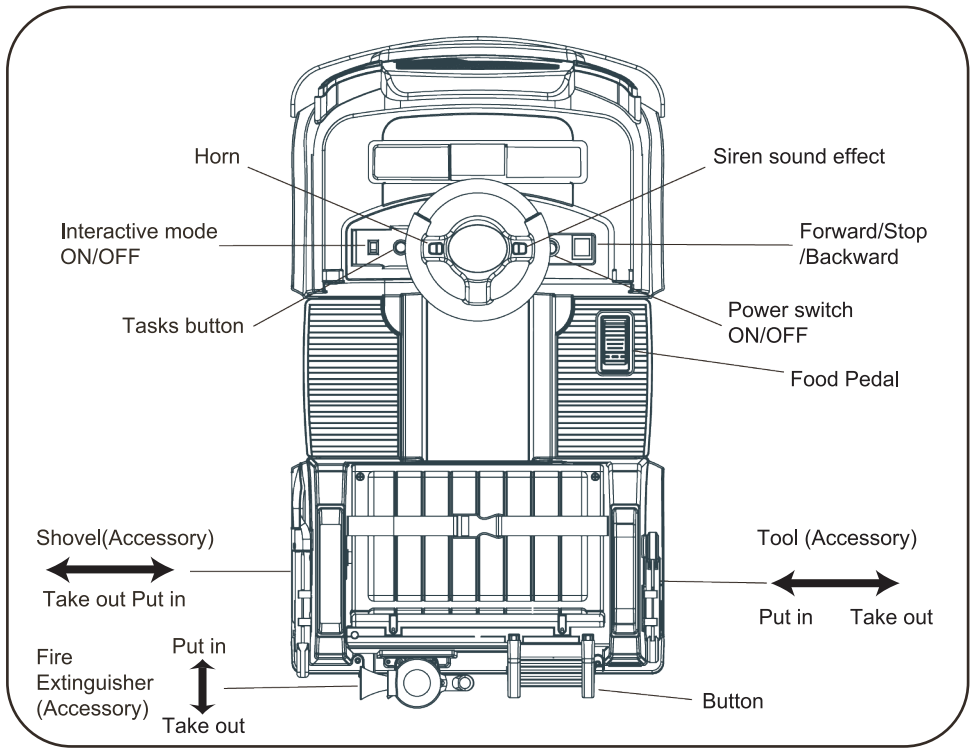
**C** Possible to hit an obstacle that may cause injury;

**D** Other Unsafe places.

- Avoid children playing in the dark. Children will not deal with unexpected obstacles or accidents. Only during the day or in bright areas.
- Do not use this product outdoors when it rains or snows.
- When shifting gears, make sure the toy has stopped moving completely.
- Please confirm that the users of this product meet the applicable age range of this product and shall not exceed the maximum load capacity.
- Do not change the structure and wiring system of this product without authorization.
- Regularly check whether the electric wire plug-in of the toy is aging or falling off.
- To avoid accidents, please make sure the toy is safe before driving.
- Please don't let any children approach the moving toy and don't let them touch the wheels.



# FUNCTION ILLUSTRATION



## Music/Light:

1. Turn the "power switch" to the "I" position, the warning light will light up and an alarm will sound;

## Riding Mode:

1. Forward: Turn the "forward/stop/backward switch" to the "forward" position; gently press the "foot pedal", the vehicle will move forward
2. Stop: lift up your foot and release the "foot pedal", the vehicle will stop moving. Or turn the "forward/stop/backward switch" to the "stop" position;
3. Backward: Turn the "forward and backward switch" to the "backward" position;
4. Press the "foot pedal" lightly and the vehicle will move backward.

## Interactive Mode:

1. Turn on the Interactive mode button, accompanied by alarm sounds and warning lights, the head gives instructions;
2. Use 3 accessories (shovel, tool, fire extinguisher) to cooperate with the instructions issued by the fire truck to complete the task (the fire extinguisher has a separate button, after the battery is installed, pressing the button will make a sound of water flow)



## WARNING!

This car is fast (the maximum speed is about 2.5KM/H) Before use, make sure that the driver is able to manipulate the vehicle proficiently to avoid accidents due to excessive speed!

# FUNCTIONS

---

## Interactive Mode Missions

ONE. Turn on the Interactive mode switch, the car will play the following three sentences randomly (After playing three sentences, child still does not take the accessories, the car will enter to sleep mode, turn off the Interactive mode switch again, the car will restart the Interactive mode.)

- 1、 We have a mission now! Go to grab the shovel.
- 2、 We have a mission now! Goto grab the extinguisher.
- 3、 We have a mission now! Goto Grab the tool.

TWO. The child picks up one of the correct accessories and the corresponding sentences will also play randomly

### Missions for Shovel:

- 1、 Let's plant a tree.
- 2、 Let's rescue the rabbit.
- 3、 Let's move the rocks.
- 4、 Let's fill the hole in the road.

### Missions for Fire Extinguisher:

- 1、 Let s water a tree.
- 2、 Let's water the flowers.
- 3、 Let's clean the windows.
- 4、 Let's keep the whale wet.

### Missions for Tool:

- 1、 Let's fix the sign.
- 2、 Let's fix the hydrant.
- 3、 Let's fix the door.
- 4、 Let's fix the truck.

THREE. If the child picks the wrong accessory, the car will say

- 1、 Oops! Wrong tool!  
Can you grab the shovel?
- 2、 Oops! Vrong tool!  
Can you grab the extinguisher?
- 3、 Oops! Wrong tool!  
Can you grab the tool?

FOUR. The child puts back the accessories, the car will say randomly

- 1、 Great Job!
- 2、 Good work!
- 3、 Thanks for helping.

FIVE. After the child has played the whole process once and repeat the random missions, after 15 seconds, car will repeat this cycle again.

SIX. If the child does not do the mission, after about 30 seconds to 60 seconds, the car will beep and enter to sleep mode (disconnect Interactive mode)

To start the Interactive mode again, just turn off the smart mode switch and turn it on.



## WARNING!

During the Interactive mode, the Interactive mode switch can only be used when the "forward/stop/backward switch" is set to the "stop" position.

# CHARGING

Charging must be done by an adult

## WARNING!

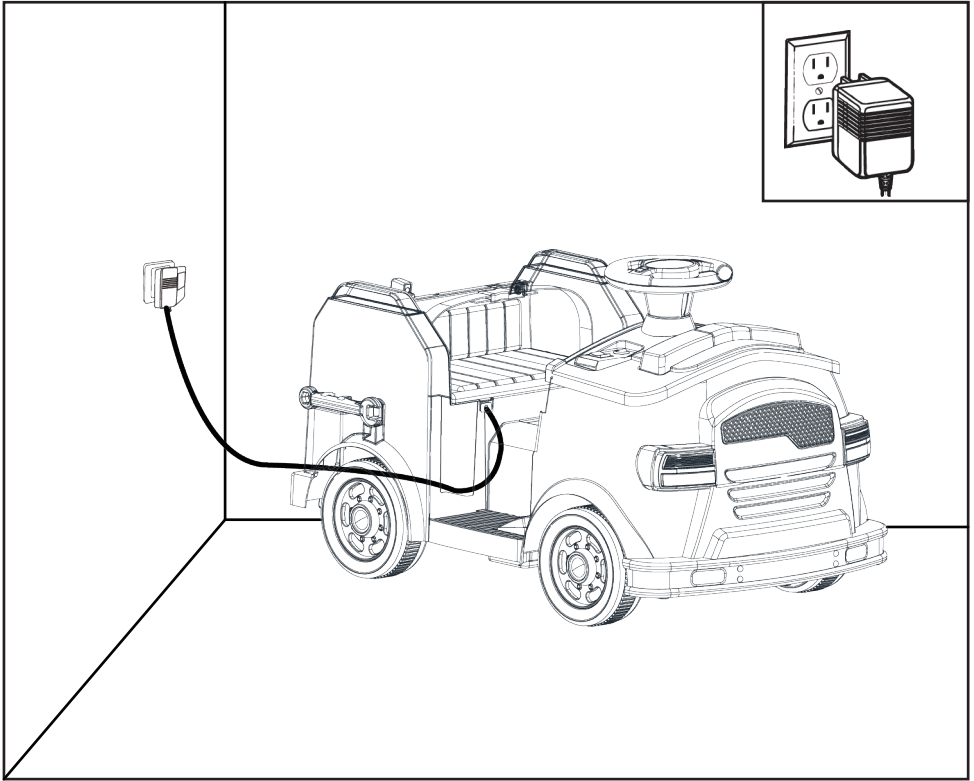
### • Prevent fire and electric shock:

- Only the charger and battery specified by the manufacturer are allowed to be used, and other brands of chargers and batteries are prohibited. Otherwise, it may cause fire and explosion.
- Do not use this charger and battery on other products, otherwise overheating may lead to fire and explosion.
- Do not change the wiring structure of the product without authorization, otherwise it may cause fire and explosion and may cause permanent damage to the product.
- Do not connect the positive and negative poles of the battery with tools, otherwise it may cause fire and explosion
- Always keep the battery dry and do not expose it to fresh or salt water.
- When the battery is charged, it will generate harmful gases and have pungent odor.
- Smoking is strictly prohibited near the charged storage battery, and any fire or spark is strictly prohibited to prevent causing explosion and other accidents
- The toy must be charged in a well-ventilated and dry area.

- Do not open the battery and charger.
- Do not reverse the battery.
- Before charging, please check whether the charger, battery and plug are damaged. If any damage is found, stop using it until it is repaired and reused.
- It is normal for the battery to generate heat during the charging process, but if the temperature is too high, it is necessary to check whether the charging current is too high or whether the battery is short-circuited.
- The battery must be fixed with a pressing plate. If the car overturned, the battery might fall out and hurt children.
- If the product is stored or not used for a long time, it must be fully charged and charged once a month to ensure the battery life.
- Chargers and batteries are not toys and children are not allowed to play.

- When charging, power switch must be turned off.
- It is recommended to charge for 4-6 hours before the first use, and less than 10 hours.
- When the normal running speed of the toy obviously slows down, it means the battery power is low. Please charge it in time.
- Every time use, please charge for 8-12 hours, but not more than 20 hours.

# CHARGING



- 1.The charging hole is located on the side of the body
- 2.Insert the charger plug into the charging hole
- 3.Plug the charger into the power outlet.



## WARNING !

This product has a charging protection function:when charging,all functions of the vehicle are not available.

# Problems & Solutions

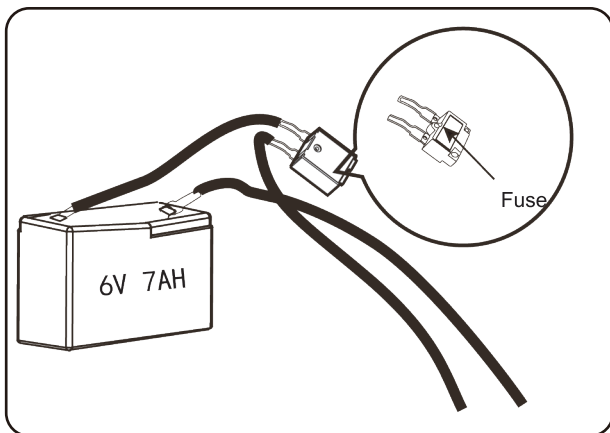
## ■ Problems: Car can't move.

Reason: Battery's power is low.

After each use, please charge for 8-12 hours, but not more than 20 hours.

Reason: Overloaded.

This car is equipped with a self-reset fuse, which will automatically cut off the power supply for 5-20 seconds and then restart when overloaded or not in use. The self-reset fuse of this car is installed under the seat (as shown in the photo).



### To prevent the fuse from cutting off the power supply:

- This product can not be overloaded. The maximum load is 35kg.
- Do not drag and drop anything behind this product.
- Do not let water or other liquids soak into electrical components such as circuits and batteries.
- Don't change the wiring system and structure of this product without authorization.

Reason: Nut in drive wheel is loose.

If the nut of the driving wheel is not locked, the motor will not be able to drive the driving wheel and the toy will not be able to travel. Please lock the nut with a spanner.

Reason: The battery plug-in or wire is loose.

Make sure the battery plug-in is properly connected and there is no loose wire.

Reason: The battery is broken.

Please contact your agent or manufacturer.

Reason: Body wiring is damaged.

Please contact your agent or manufacturer.

Reason: Motor is broken.

Please contact your agent or manufacturer.

## ■ Problem : Charged but still no power

Reason: The battery plug-in is loose.

Make sure that the battery terminals and wires are firmly connected together.

Reason: The charger is not plugged in.

Make sure the charger is properly plugged into the power outlet.

(If the power outlet has a switch, make sure the switch is turned on.)

Reason: The charger does not work properly.

Does the charger feel slightly hot when charging? If not, it is likely that the charger has been damaged. Please contact your agent or manufacturer.

# Problems & Solutions

---

## ■ Problem: The playing time of the car is very short.

Reason: The battery is under-charged.

The battery charge time is not enough.

Please charge it in time after each use and at least once a month.

It is recommended that the charge time should be 8~12 hours, not exceed 20 hours.

Reason: Battery aging.

The battery is a fragile and consumable part. Its service life mainly depends on the timeliness and correctness of its charging and maintenance operation. Therefore, the service life of the battery is 1~3 years. If it exceeds its service life, it is recommended to replace a new battery.

## ■ Problem: The charger is buzzing while charging.

This is a normal phenomenon.

## ■ Problem : The charger has a heating phenomenon during charging

This is a normal phenomenon, but if the temperature is too high, you should check whether the charging current is too high or the battery is short-circuited.

# Maintenance

---

- Before using, parents should check whether the main components are in good condition and whether the battery, charger, wire, plug, housing and other components are damaged. Whether the screw is loose or not; Whether there is a potential safety hazard or not, stop using it when it is found damaged until it is completely repaired.
- After a period of use, lubricate the iron parts of the vehicle with a small amount of lubricating oil to prevent wear and rust.
- Toy should be placed far away from the fire source and avoid long-term illumination. They should be placed flat up and not upside down or tilted. In wet weather, the car should be parked indoors or covered with waterproof cloth.
- Toy should be kept away from hotter objects such as stoves and heaters. Plastic parts may melt. Keep away from flammable objects when charging to prevent fire.
- Please charge in time after use. Charging must be done by an adult. If it is stored or not used for a long time, it must be fully charged first and then charged at least once a month to prolong the battery life.
- Wipe the toy with a dry soft cloth. You can also use a non-wax furniture polish instead of a soft cloth to wipe the plastic parts to achieve the surface clean effect. Do not use chemical solvents to wipe the plastic parts of toys. Do not clean the toy with soap and water. Do not drive the toy in rainy or snowy weather. Water will damage the motor, the vehicle's electrical system and the battery.
- When you stop using or placing the product, please cut off the power supply of the product and turn all switches to the stop "or off" position.
- Do not use fuses that do not conform to the specifications of this product.
- Do not change the structure and wiring system of this product without authorization. Maintenance work must be carried out by professionals or under the guidance of technicians.