

Guide Book

- R/C controls forward/backward and left/right, remote control priority
- Music
- Volume adjustment
- Power display
- Forward and backward
- High and low speed
- Wireless connection
- MP4(Optional)

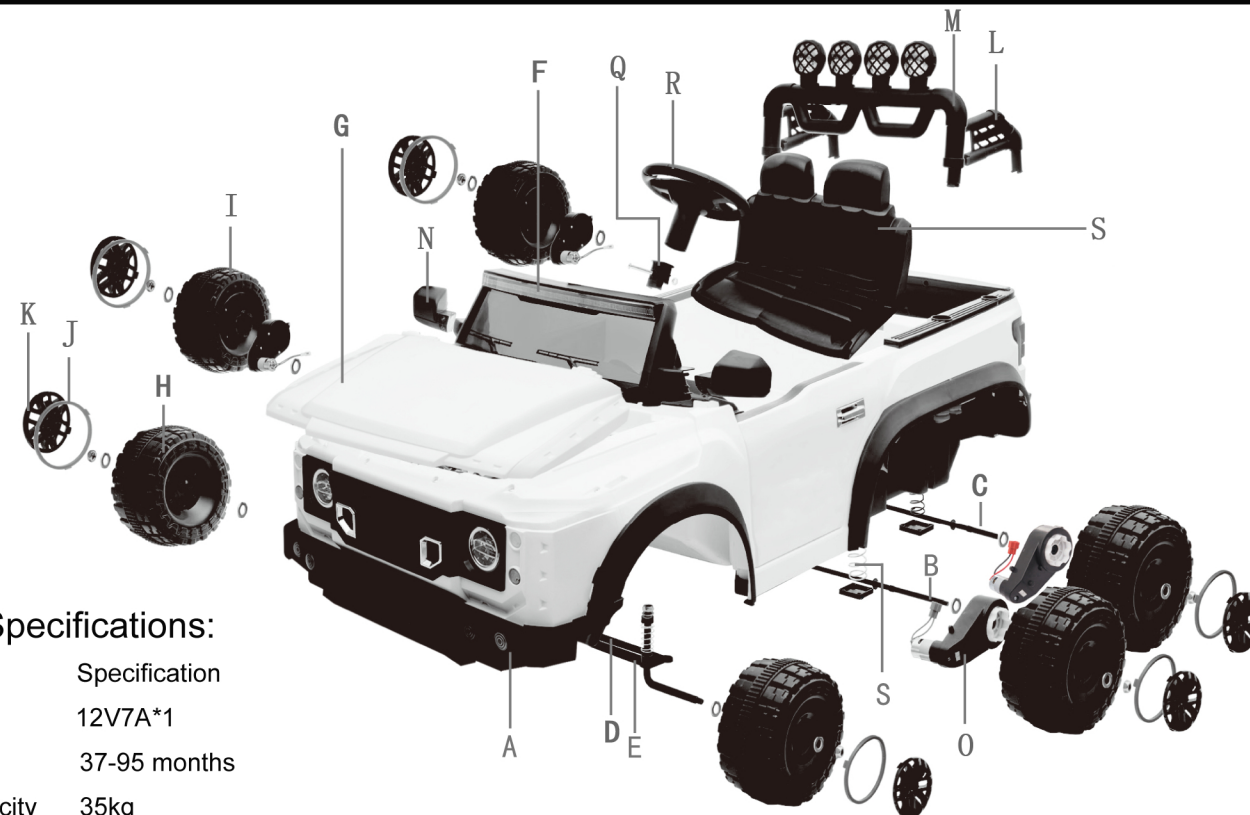


! WARNING: The toy is to be assembled by an adult. In unassembled state contain potentially hazardous sharp points, sharp edges and small part, so please keep out of baby's reach

! Warning: Not to be used in traffic.

Parts List:(Name and Quantity)

Name	A	B	C	D	E	F	G	H	I	J	K
Quantity	1	1	1	1	1	1	1	2	4	6	6
L	M	N	O	P	Q	R	S	T	U		
Rear handrail	Searchlight	Rearview mirror	Motor	Rearview mirror	Connector	Steering wheel	Connector	Steering wheel	Seat	Charger	Remote control
2	1	2	2	2		1	1	1	1	1	1
V	W	X									
Spanner	Large flat head screw	Steering wheel screw									
2	16	1									



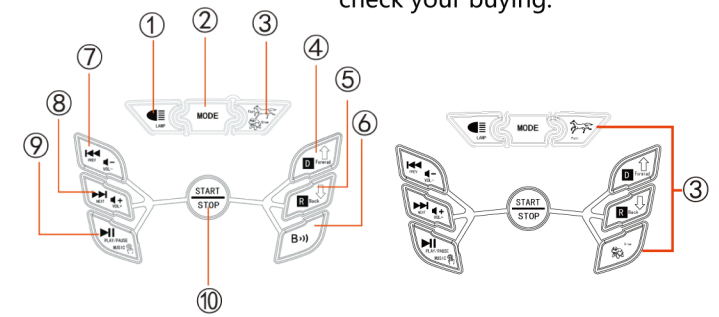
Product Specifications:

Name	Specification
Battery	12V7A*1
Suitable age	37-95 months
Loading capacity	35kg
Product size	130*70*65cm
Speed	3-5 km/h
Charge/Use time	charge 8-12h, use 1-2h
Charger	Input: 100-240V Output: 12V 1000mA
Remote control	AAA1.5V

The above parameters are selected by the customer, and the specific parameters shall be subject to the actual sample.

Function

Picture for reference only, please check your buying.



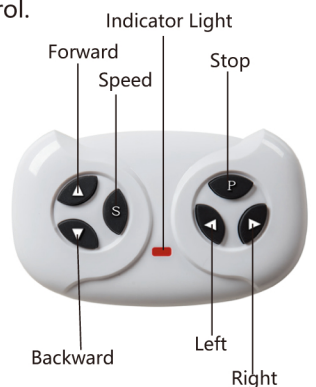
12V Console

24V Console

Button function	⑥Wireless connection
① Light	⑦Music switch/Volume -
② Multifunction	⑧Music switch/Volume +
③ High/low speed	⑨Music
④ Forward	⑩Power
⑤ Backward	

Remote control function and explanation

Do not swift forward/backward button when car is driving, or will damage the motor.
 Remote control can be used normally when battery assembled.
 Remote control should be used under adults' supervision.
 Remote control is prior to man control.



How to adjust R/C frequency:

Long press forward and backward button for 3 seconds, and the speed indicator flashes. Then turn on the power, the speed indicator goes to long bright, means the connection successfully. If the speed indicator no response, means the connection failed. Replace the batteries and retry.

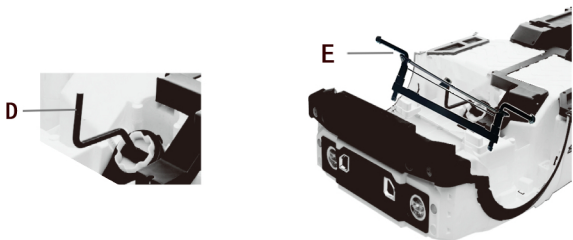
Remote control battery operation

Take off the battery cover. Put two AAA1.5V remote control battery in with right polarity.
 New and used batteries can not be used mixed.
 Do not insert batteries into wrong polarity, or will be short-circuited.
 Non-rechargeable batteries can not be recharged. Exhausted batteries should be replaced by adults.
 The exhausted battery must be handled and operated properly by adults only. Do not be played by children.

Installation Order Diagram

1. Install the front axle

Insert the steering rod into the steering motor, and fix the front axle with 8 large flat screws



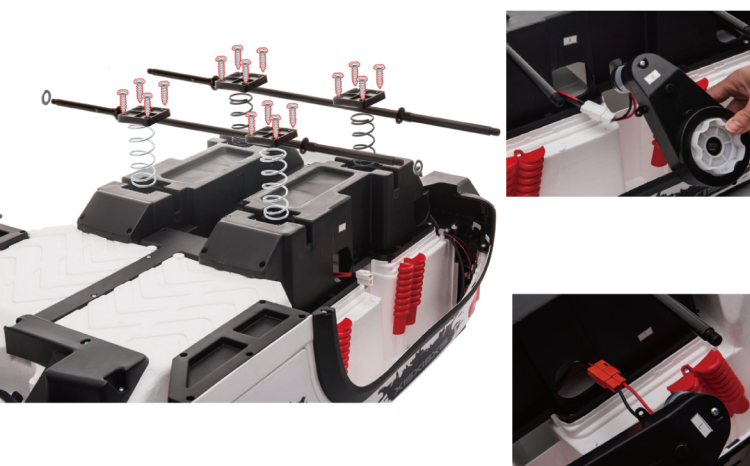
2. Front wheel assembly

Turn over the car, add washer, front wheel, washer one by one, then use screw to tighten. Finally put the wheel decoration and the wheel cover on. The other wheel assembly is the same.



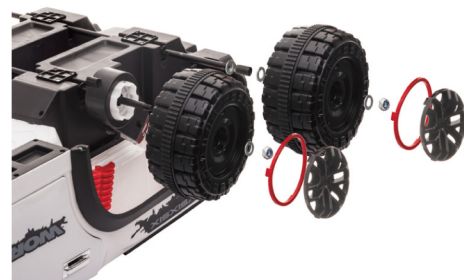
3. Middle axle, rear axle and motor assembly

Unscrew the middle axle and rear axle first, add 2pcs middle shock absorber spring(white color) like picture, use 2pcs rear shock absorber cover and 8pcs 4*12 large flat head screw to tighten it. Add 2pcs rear shock absorber spring(black color) like picture, use 2pcs rear shock absorber cover and 8pcs 4*12 large flat head screw to tighten it. Finally add 1pcs washer to each side of the middle axle, next add one motor to each side of the middle axle, make sure white plug connect white plug, red plug connect red plug or R label to R label, L label to L label.



4. Rear wheel assembly

Add 1pcs rear wheel, 1pcs washer to one side of the middle axle, use screw to tighten. Then put the wheel decoration and the wheel cover on. Same way to the other side. Add washer, round tube, washer, rear wheel and washer one by one, use screw to tighten. Then put the wheel decoration and the wheel cover on. Same way to the other side.



5. Steering wheel assembly

Press steering wheel connector into the direction lever. Match the hole of the connector to the hole of the steering lever, use 1pcs 5*30 screw and nut to tighten. Insert the steering wheel into the connector.



6. Windshield and hood assembly

Connect the windshield and hood with 2pcs 4*12 large flat head screw to tighten, then put the windshield and hood to the reserved place on the car.



7. Rearview mirror assembly

Put the left and right rearview mirror into the right place on the car, use 4pcs 4*12 round head screw to fix the rearview mirror connector and rearview mirror.



8. Armrest and search light assembly

Insert the rear armrest into the hole on the search light, then connect the line in the armrest and car body. Finally insert the whole parts into the car body.



9. Seat assembly

Put the seat on the car body, match holes of the seat and car body. Then use 2pcs 4*12 round head screws to fix.



10. Battery line assembly

Open the hood, then connect two red plug like picture. Finally turn on power to play it.



Warnings

For children's safety, please read these carefully.
 Assembly and adjustment must be done by adults, keep children away.
 Keep children under 36 months away from small parts.
 Safe belt is a must when children playing. Do not be closeto fire.
 Adult must teach how to play it and never leave children alone for playing.
 Do not stand up or play when children are stepping on foot pedal.
 Battery must be charged by adults only. Please charge it first before use.
 Keep children away from plastic bag, or suffocation may occur.
 Only use spare parts which provided by manufacturer.
 Charger is not a toy for playing.
 Maximum loading capacity is 35KG. Do not overload.
 Suitable age: 37-95 months.

Safety use
 Do not play in the street, road, slope or ditch.
 Do not change the line or add electric device to the car.
 Play the car in the dry area, not wet. Keep away from fire, or may damage the line.
 One or two riders one time only. Do not overload.
 Maximum capacity is 35KG.
 Turn power off if no use. If long time no use, unplug battery line.
 Check battery, charger and other spare parts regularly.
 If any problem, please fix it before playing.

Charging notification

For the first use, please charge 8-12 hours, or will damage the battery.
 Plug charger DC line into charge hole first, then plug charger into socket. Car can not be played when it charging.
 Every time it charged, do not charge more than 20 hours.
 It is normal that charger and battery warm (under 60°) during charging.
 Do not charge if plug is wet, or will occur short-circuited.
 Only use charger provided by manufacturer, or will damage charger and battery or occur short-circuited.
 If long time no use, please charge 1 time per month at least.

Charging steps are as follows:

- Step 1: The charging hole is under the steering wheel.
- Step 2: Put the charger plug into the plug hole.
- Step 3: Connect the charger to the power socket.



Warning: Car must be charged by adults only. Car is useless during charging

Maintenance and Service

Check battery, charger and other spare parts regularly. If any problem, please fix it before playing.
 • Use lubricating oil to care iron parts. Keep car away from fire and sunshine. Park it on the even place, not reversal or gradient.
 • Park it indoor and cover it with waterproof cloth.
 • Keep car away from fire, like stove or heater, or plastic may melt.
 Keep away from flammable things, or may occur fire accident.
 • Charge it after use and must be done by adults only. If long time no use, please charge it 1 time per month, in order to maintain battery.
 • Clean the vehicle with a dry cloth only. Do not use chemical solvent to wipe plastic parts. Do not wash it with water or play it when raining or snowing. Water will damage motor, electric system or battery.
 • Please turn power off after each use.
 • Only use charger provided by manufacturer.
 • Do not change car's structure or electric line. Check job request some skills or under specialist's guidance.