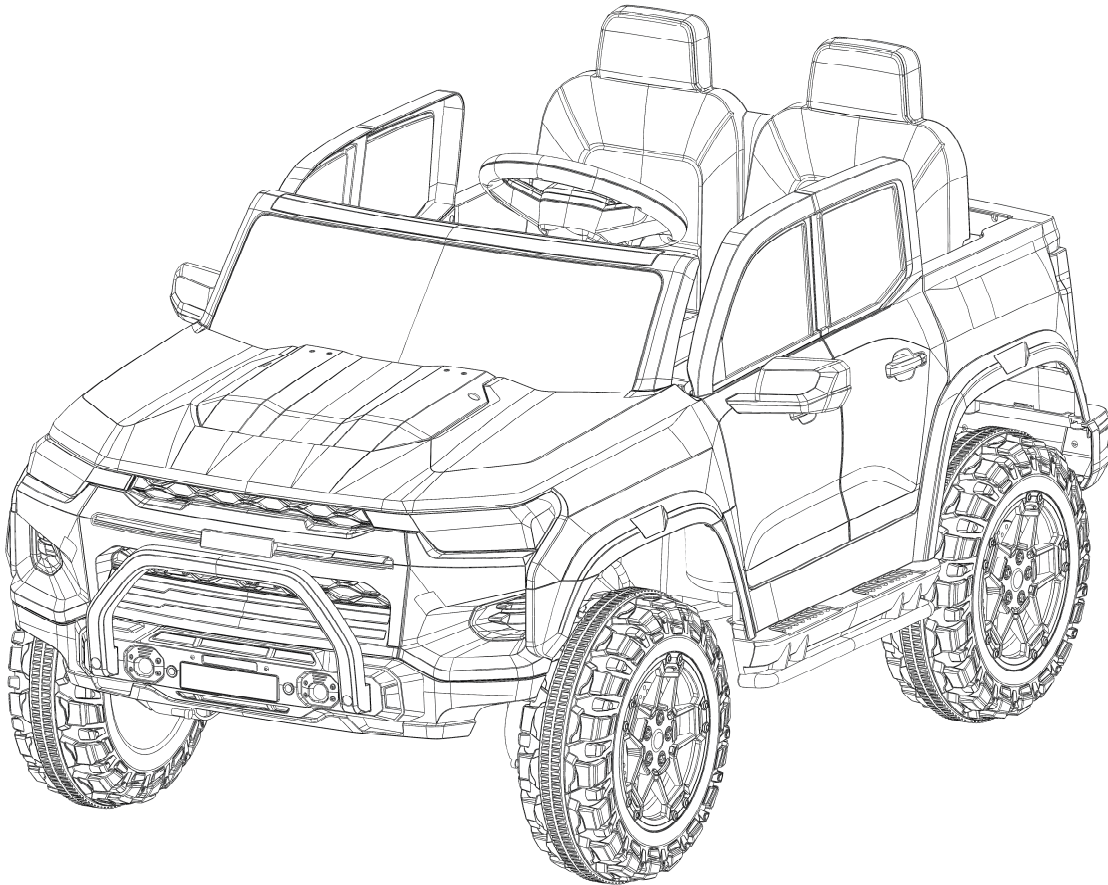


Please read the manual before using the product. The manual and carton contain important information, please keep them properly for later references. If failure to following the instruction in the manual, it might be dangerous for your child. In order to improve the product and quality, we may change the parts of structure, appearance, packing method, assembly method and function of the product without any notice. When there is any difference between the manual and the product, please subject to the actual product. We are sorry for any inconvenience.



The assembly manual of battery operated car



WARNING

Products should be assembled by an adult. Protective equipment should be worn. Not to be used in traffic. Not suitable for children under 3 years. Choking hazard- small parts. In unassembled state, contains potentially hazardous small parts. Please keep out of the reach of small children. Pay attention to the potential hazards of using the toy in areas other than private grounds.

About product

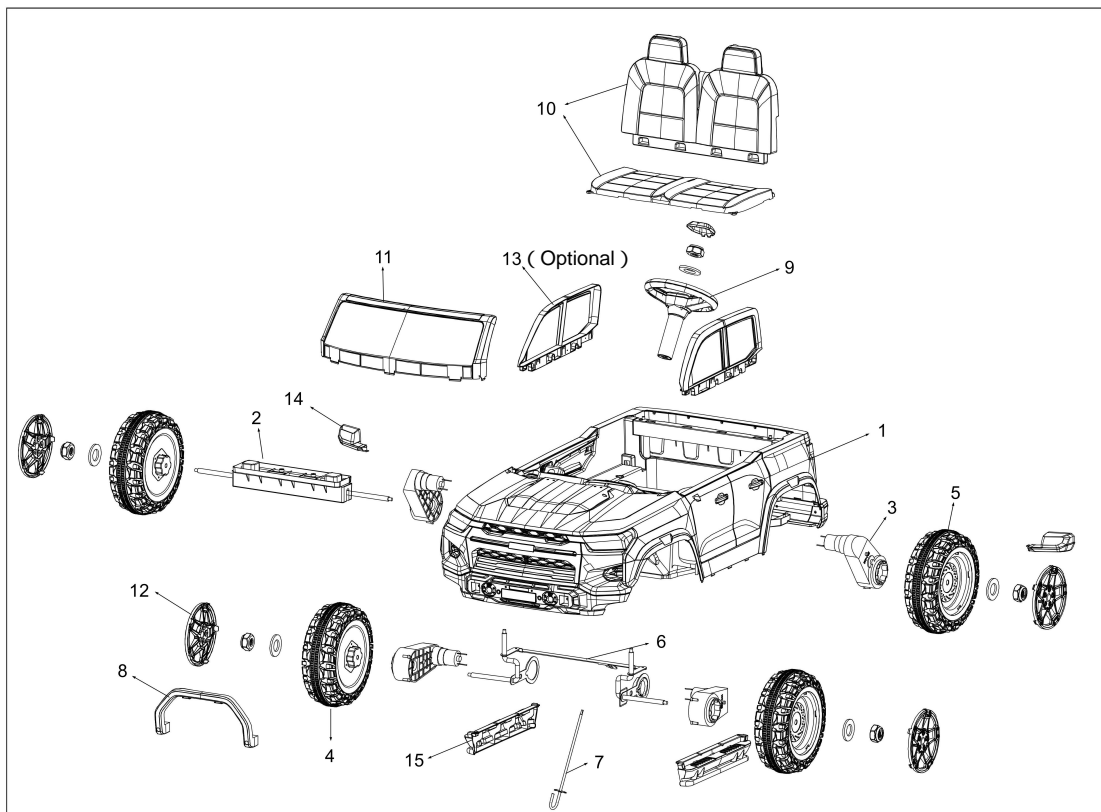
Specification parameter

Name	Specification
Battery	12V or 24V
Driving motor	12V or 24V
Steering motor	12V or 24V
Suitable age	37-95 months
Load capacity	35KG
Charging time	8-12 hours
Charger	12V or 24V
Speed	3-6 km/h
Product size	128*73*50CM



Battery warning

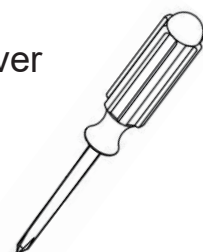
- Non-rechargeable batteries cannot be recharged.
- For safety purpose, battery charging by adults only.
- New and used batteries cannot be used together.
- Do not insert batteries into wrong polarity, or will be short-circuited.
- The exhausted battery must be taken out of the car.
- Only use charger and battery provided by manufacturer.



Parts name

No.	Part name	Qty	Remark
1	Car body	1	
2	Rear axle mpdule	1	
3	Driving motor	4	
4	Front wheel	2	
5	Rear wheel	2	
6	Front axle	1	
7	Direction leber	1	
8	Front bumper	1	
9	Steering wheel	1	
10	Seat	1	
11	Windshield	1	
12	Wheel cover	4	
13	Window	2	(Optional)
14	Rearview	2	
15	Bracket	2	
16	Guide book	1	
17	Remote control	1	
18	Charger	1	
19	Pats package	1	

Tool required for installation (Prepared by your own): screwdriver



Warning



Never leave children alone when playing!

1. Do not play in the street, road, slope or ditch.
2. Do not play on the rough terrain.
3. It is not a vehicle, should be played under adult's supervision.
4. It requires some skills to play, please be careful in order to avoid to crash or hurt themselves or others.



Warning

1. Assembly and adjustment must be done by adults.
2. Keep children away from plastic bag, or suffocation may occur.
3. It contains some small parts. Keep children under 36 months away from.

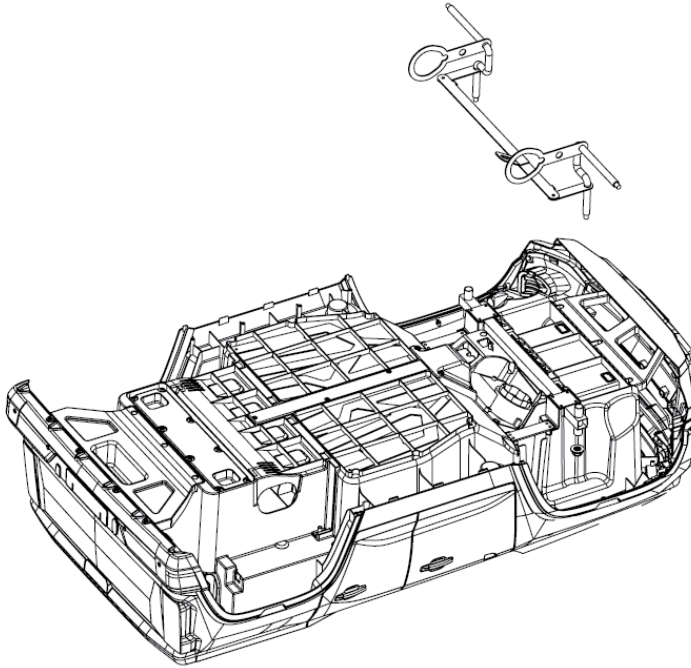
* Please tell your child and his playmates the following safety rules and make sure they understand!

- Make sure your child plays it in a safe driving environment, such as home, garden or playground.
- The car is only suitable for playing on the hard and flat road. In order to keep safety, it is prohibited to play in the following unsafe environments
 - A Ditch, river, lawn, slope or uneven ground
 - B Public transport roads
 - C Obstacles that may cause injury
 - D Other unsafe areas.
- Avoid children playing in the dark. Children can not deal with unexpected obstacles or accidents. Only play in the day or in a bright area.
- Do not play it outside when it is raining or snowing.
- Please make sure that the user is suitable of the recommended age range, and do not exceed the maximum load.
- To avoid accidents, make sure the car is safe before playing.
- Please do not allow any children to approach the car or touch the wheels when it is driving.

Assembly

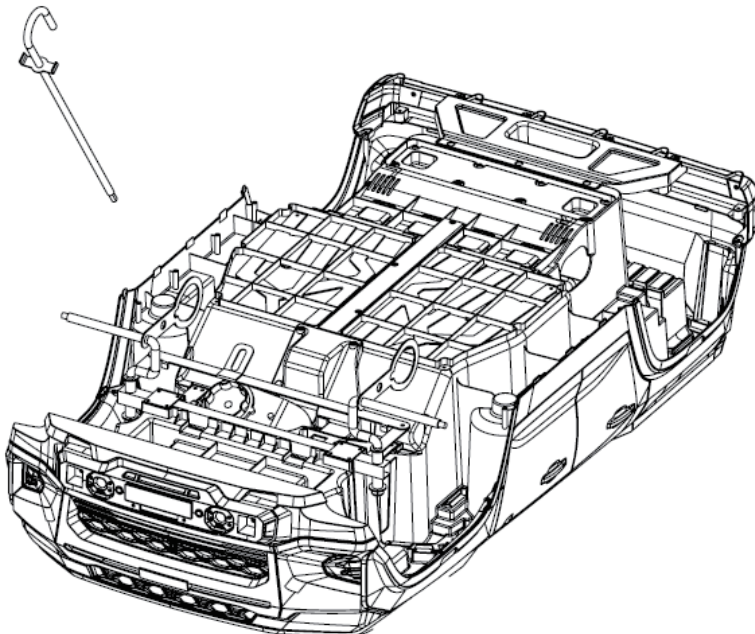
Front axle assembly

Put the front axle on the round tube of the car, add washer to each side of the front axle, then use M8 nut to tighten.



Direction lever assembly

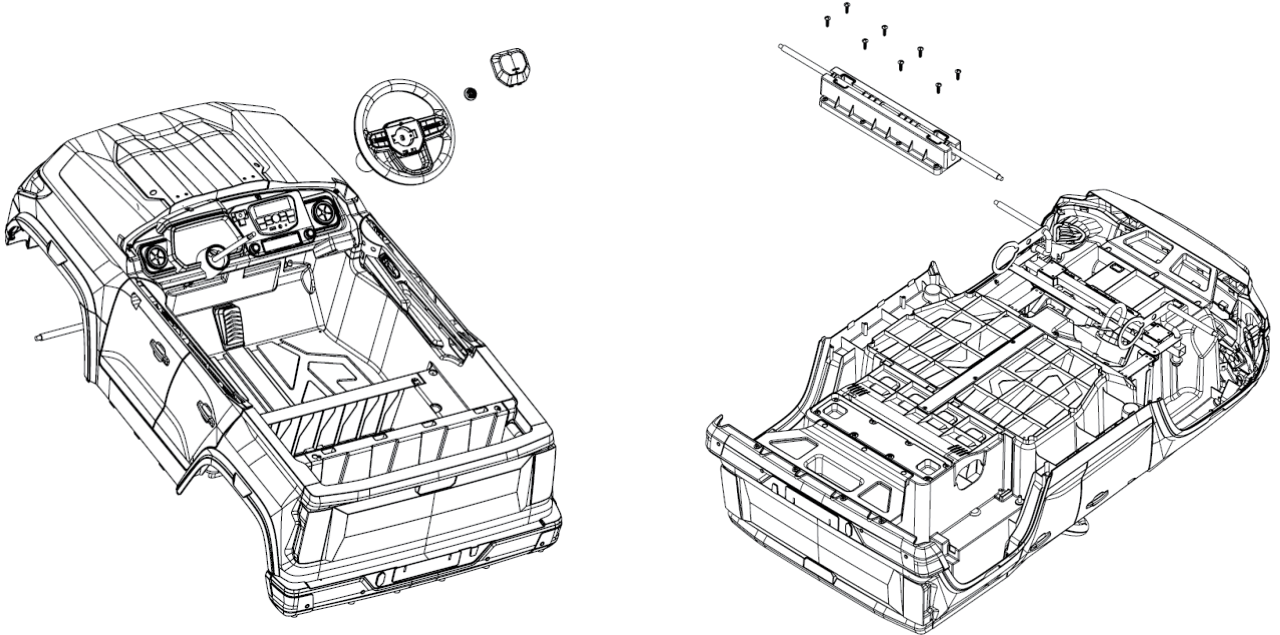
Insert the direction lever into the hole of the motor and the hook into the hole of the front axle, then use 1pcs cotter to tighten,



Assembly

Steering wheel assembly

Unscrew the cover on the steering wheel, connect the rabbets of the direction lever and steering wheel, then use M8 nut to tighten. At last, use the screw to tighten the cover.

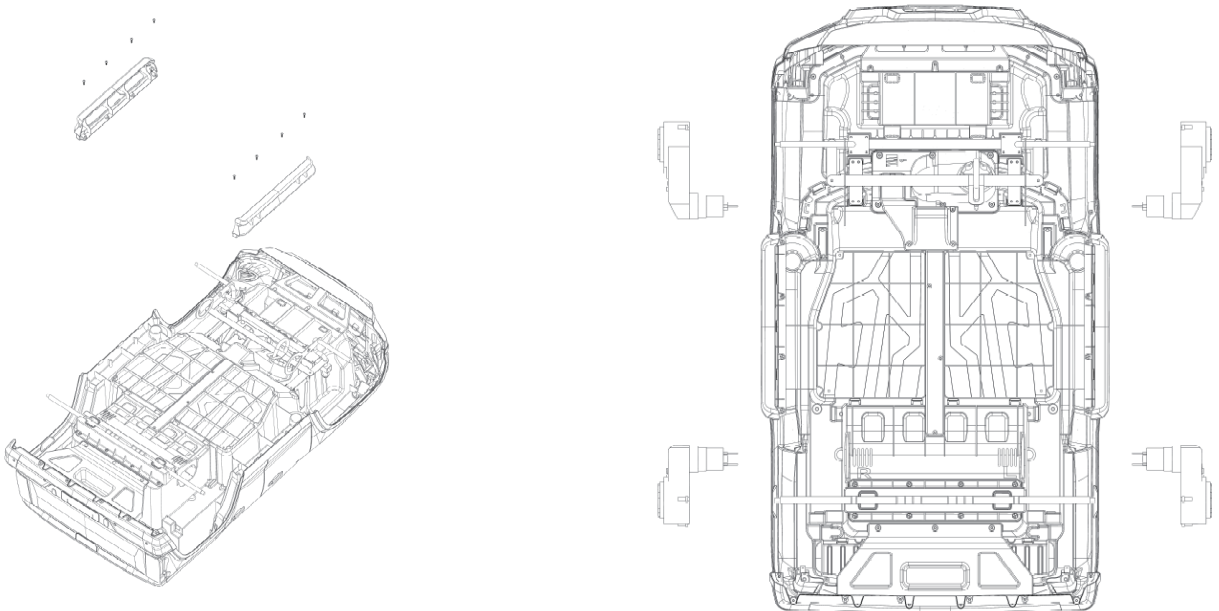


Rear axle module assembly

Put the rear axle module on the car, then use 8pcs 4*14 screw to tighten.

Bracket assembly

Insert the bracket into the car, then use 4pcs 4*14 screw to tighten.



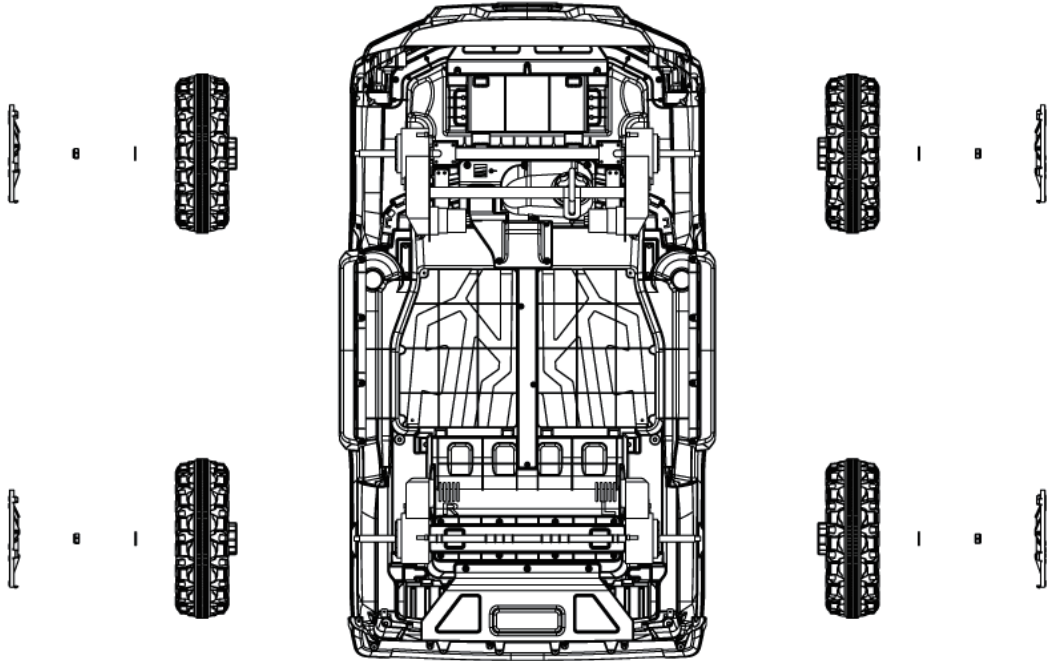
Motor assembly

Add motor to front axle and rear axle, then connect the connectors on the motor and car.

Assembly

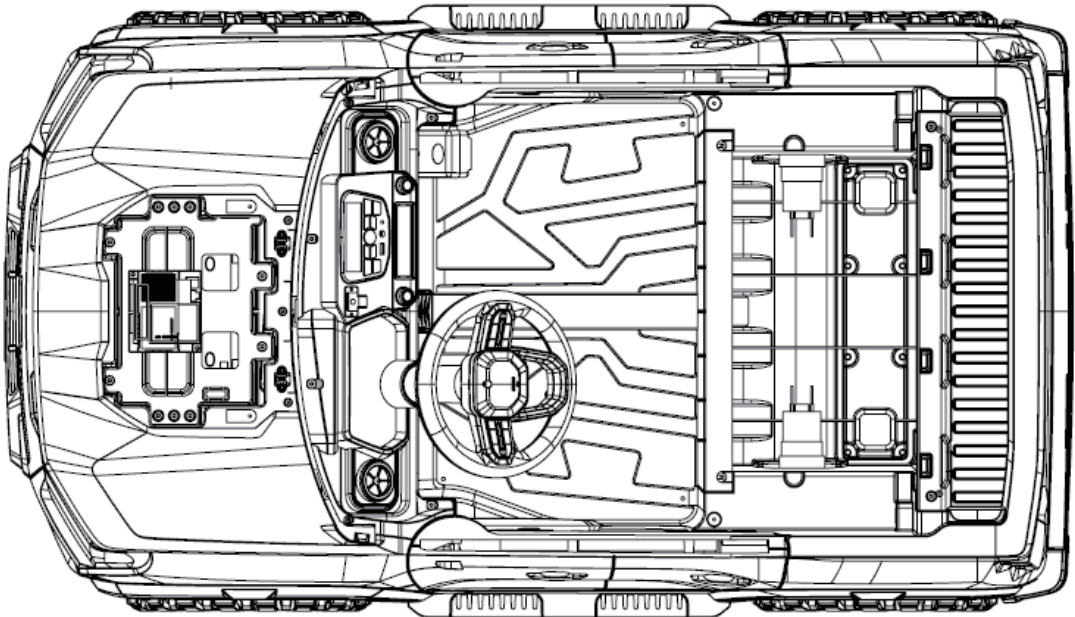
Wheels assembly

Add wheel to the front axle and rear axle, add washer to the wheel, then use M8 nut to tighten. At last, insert the wheel cover into the wheel.



Battery line connection

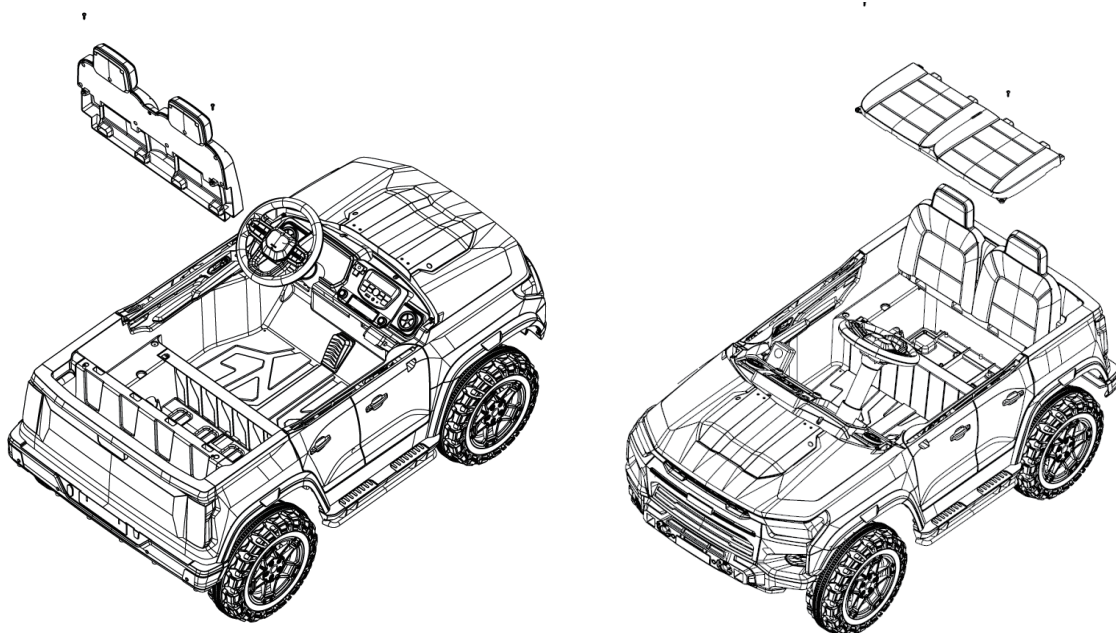
Unscrew the hood, connect two connectors, then use 2pcs 4*14 screw to tighten.



Assembly

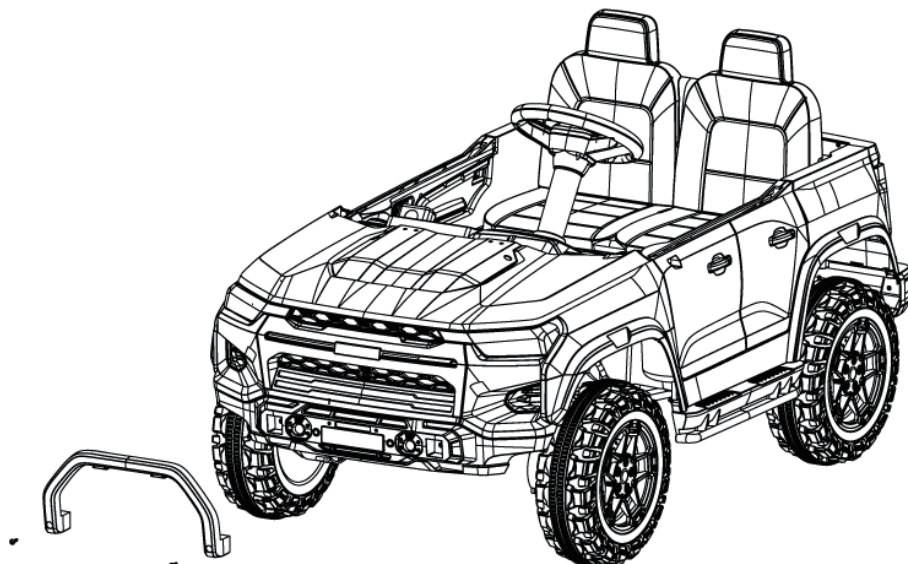
Seat assembly

Insert the seat into the reserved place on the car, then use 2pcs 4*14 screw to each part.



Front bumper assembly

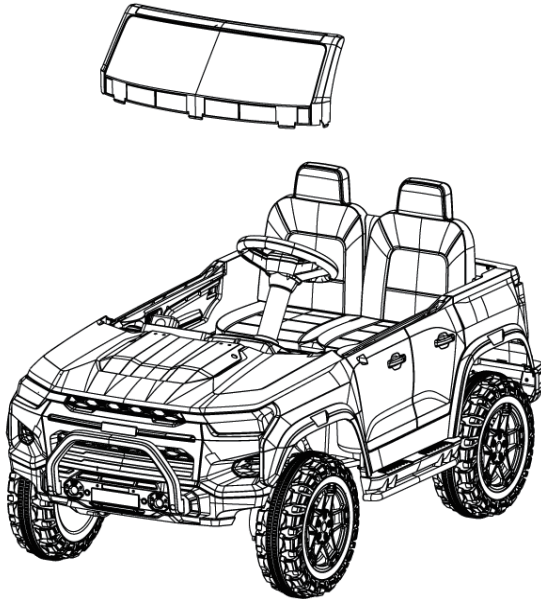
Insert the front bumper into the reserved place on the car, then use 2pcs 4*14 screw to tighten.



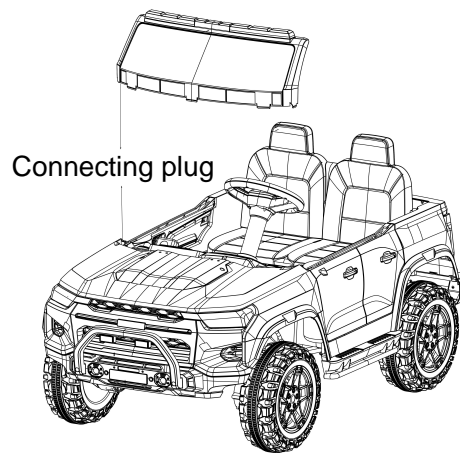
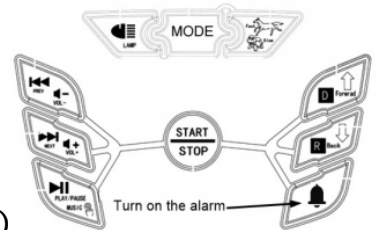
Assembly

Windshield assembly

Insert the windshield into the reserved place between the dashboard and hood.

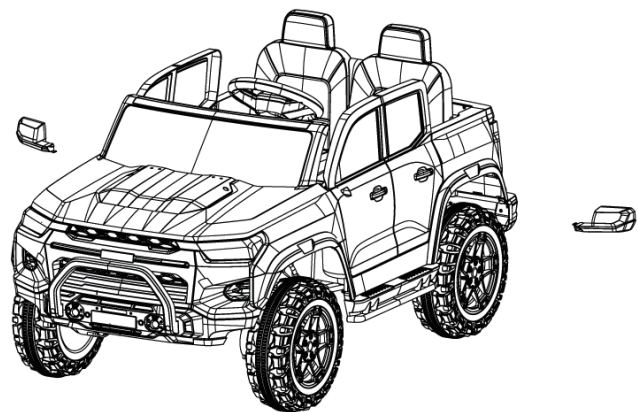
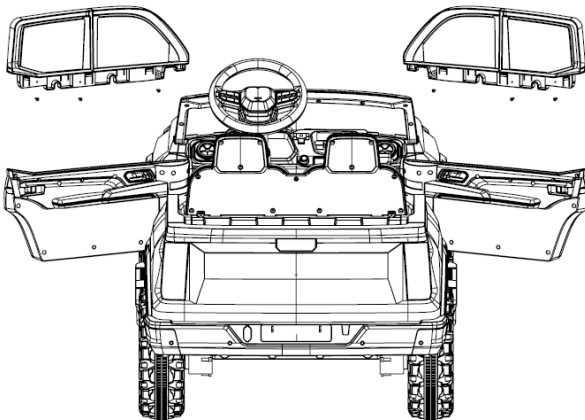


(Optional alarm light)



Window assembly (Optional)

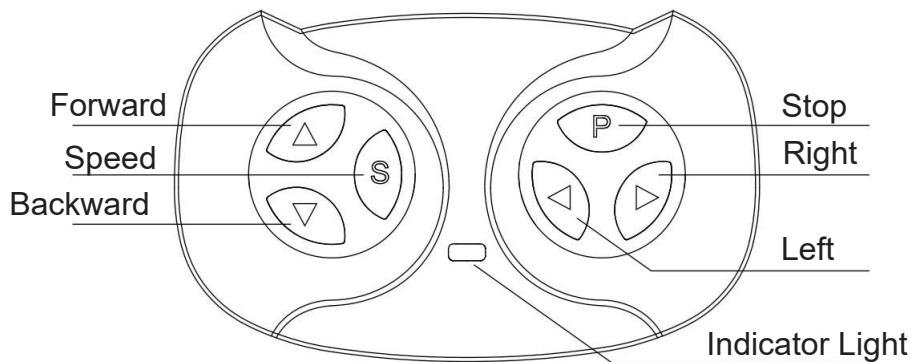
Insert the window into the door, then use 3pcs 4*14 screw to tighten. The same way for the other side.



Rearview assembly

Insert the rearview into the reserved place on the door.

Remote control function and explanation



The car with remote control has priority: under the remote control mode, the car can only be operated by remote control, the pedal can not be operated.

Take off the battery cover, put two AAA1.5V remote control battery in the right polarity. When the indicator is lighting, it means battery assembly is correct. Remote control battery is not provided.

How to adjust R/C frequency:

Long press forward and backward button for 3 seconds, and the speed indicator flashes. Then turn on the power, the speed indicator goes to long bright which means the connection is successful. If the speed indicator no response, means the connection failed. Replace the batteries and retry.

Remote control function and explanation

Do not shift forward/backward button when car is driving, or will damage the motor.

Remote control can be used normally when battery is assembled.

Remote control should be used under adults'supervision.

Remote control is preferred to manual control.

Remote control battery operation

Take off the battery cover. Put two AAA1.5V remote control battery in with right polarity. New and used batteries cannot be used together.

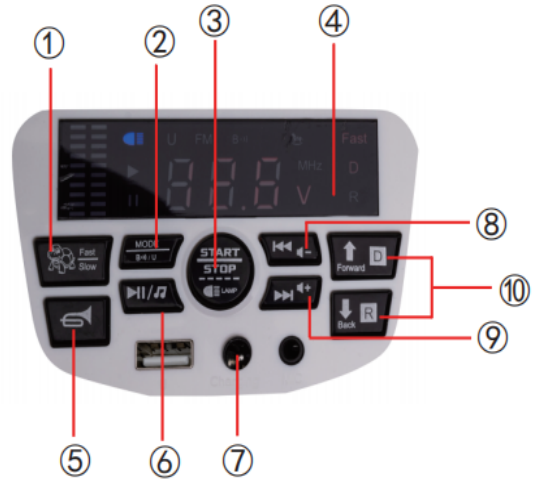
Do not insert batteries into wrong polarity, or will be short-circuited.

Non-rechargeable batteries cannot be recharged. Exhausted batteries should be replaced by adults.

The exhausted battery must be handled and operated properly by adults only. Do not be played by children.

Center panel operation

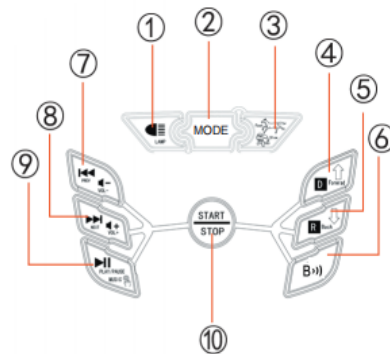
12V



Button function

- | | |
|------------------------------|-------------------------|
| ① High/low speed | ⑥ Stop/play switch |
| ② Mode switch | ⑦ Charging hole |
| ③ Power/light control switch | ⑧ Music switch/Volume - |
| ④ Screen | ⑨ Music switch/Volume + |
| ⑤ Horn sound | ⑩ Forward/backward |

24V



Button function

- | | |
|------------------|-------------------------|
| ① Light | ⑥ Wireless connection |
| ② Multifunction | ⑦ Music switch/Volume - |
| ③ High/low speed | ⑧ Music switch/Volume + |
| ④ Forward | ⑨ Music |
| ⑤ Backward | ⑩ Power |

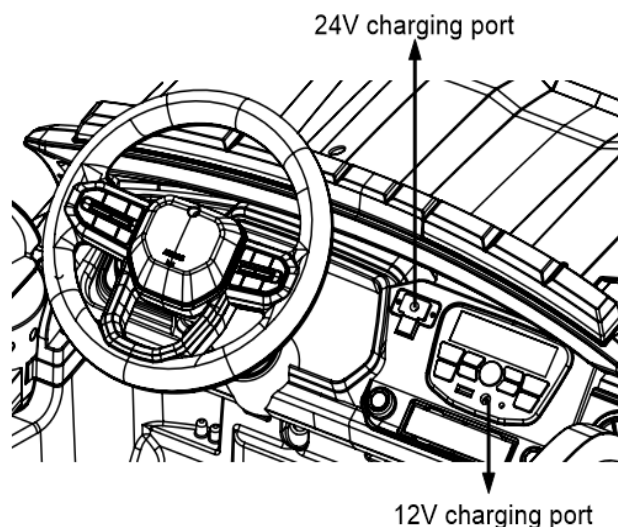
Charge

Warning!

- The car has charging protection function: all functions are unavailable when charging!
- Charging must be done by an adult! Keep chargers and batteries out of reach of children!

Power switch must be turned off when charging.

- Charging 4-6 hours for the first use, but no more than 10 hours.
- After each use, please charge 8-12 hours, but no more than 20 hours.
- When the normal speed is slow, it indicates that the battery is insufficient, please charge it in time.
- When the battery is insufficient, it should be charged immediately. And charge at least once a month, otherwise battery will be damaged.
- It is normal that the charger is warm when charging.
- Use the charger and battery which provided by manufacturer.



Step 1: Put the charger plug into the plug hole.

Step 2: Connect the charger to the power socket.