

INSTRUCTION MANUAL

SLING CHAIR

About Our Wood

Our products uses only premium lumber, ensuring the safest product for your use. Although we take great care in selecting the best quality lumber available, wood is still a product of nature and susceptible to weathering which can change the appearance of your set.





What causes weathering? Does it affect the strength of my products?

One of the main reasons for weathering is the effects of water (moisture); the moisture content of the wood at the surface is different than the interior of the wood. As the climate changes, moisture moves in or out of the wood, causing tension which can result in checking and or warping. You can expect the following due to weathering. These changes will not affect the strength of the product:

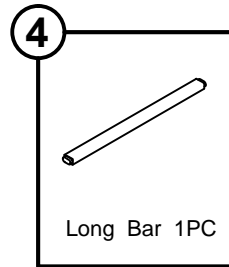
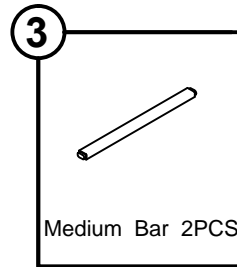
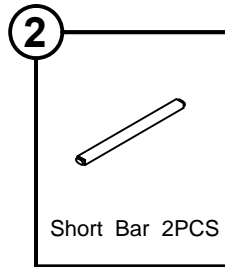
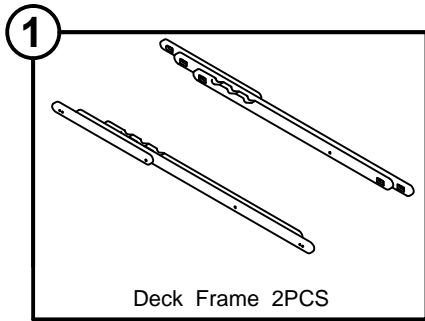
1. Checking is surface cracks in the wood along the grain.
2. Warping results from any distortion (twisting, cupping) from the original plane of the board and often happens from rapid wetting and drying of the wood.
3. Fading happens as a natural change in the wood color as it is exposed to sun-light and will turn a grey over time.

How can I reduce the amount of weathering to my products ?

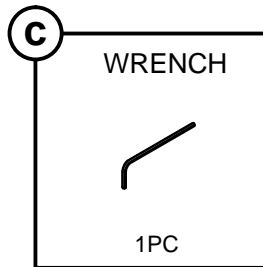
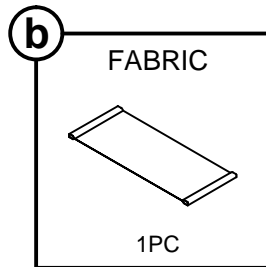
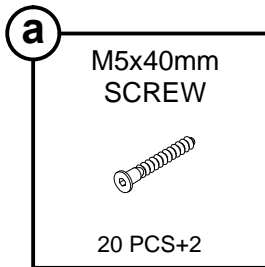
Sunlight will break down the wood or coating, applying a water repellent or stain on a yearly basis is important maintenance. (see your local stain and paint supplier for a recommended product)

TOOLS RECOMMENDED	
 SCREWDRIVER	 TAPE MEASURE
 2 PERSON ASSEMBLY	 10Min BUILD TIME

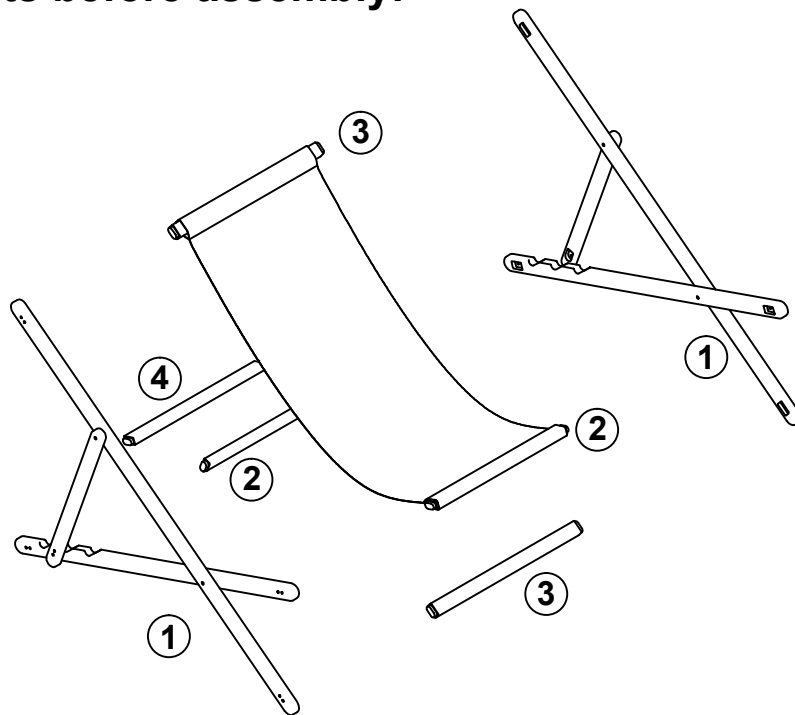
PARTS



HARDWARE



Note: To Save installation time, it's recommended to identify components before assembly!

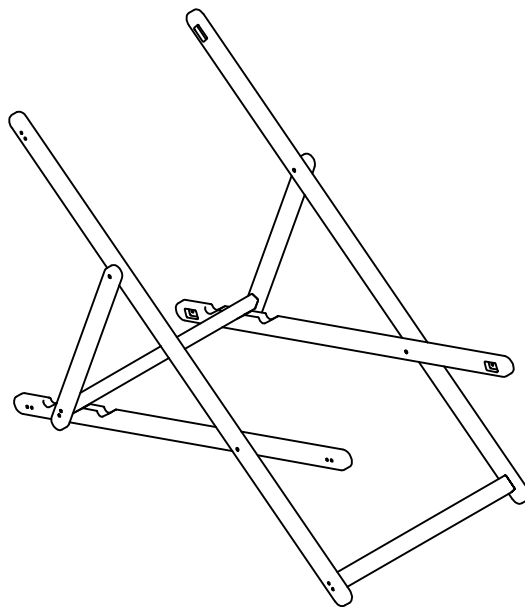
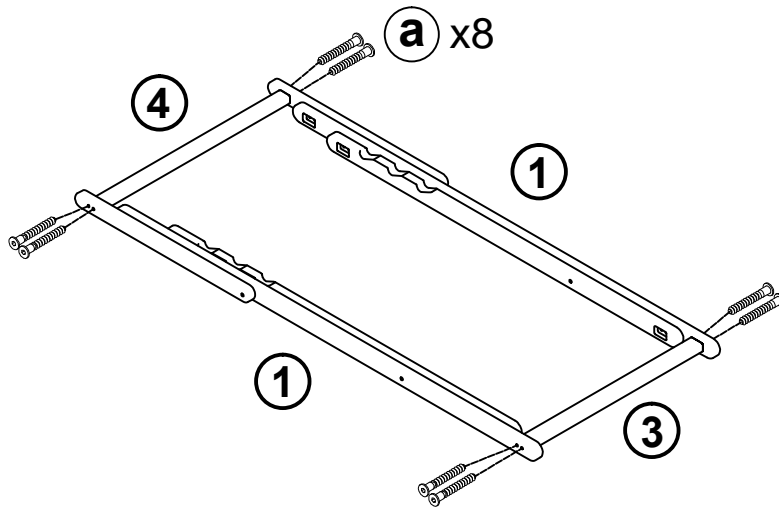


④

PRODUCT ASSEMBLY

1

Attach the long bar **4** and medium bar **3** to the frame.

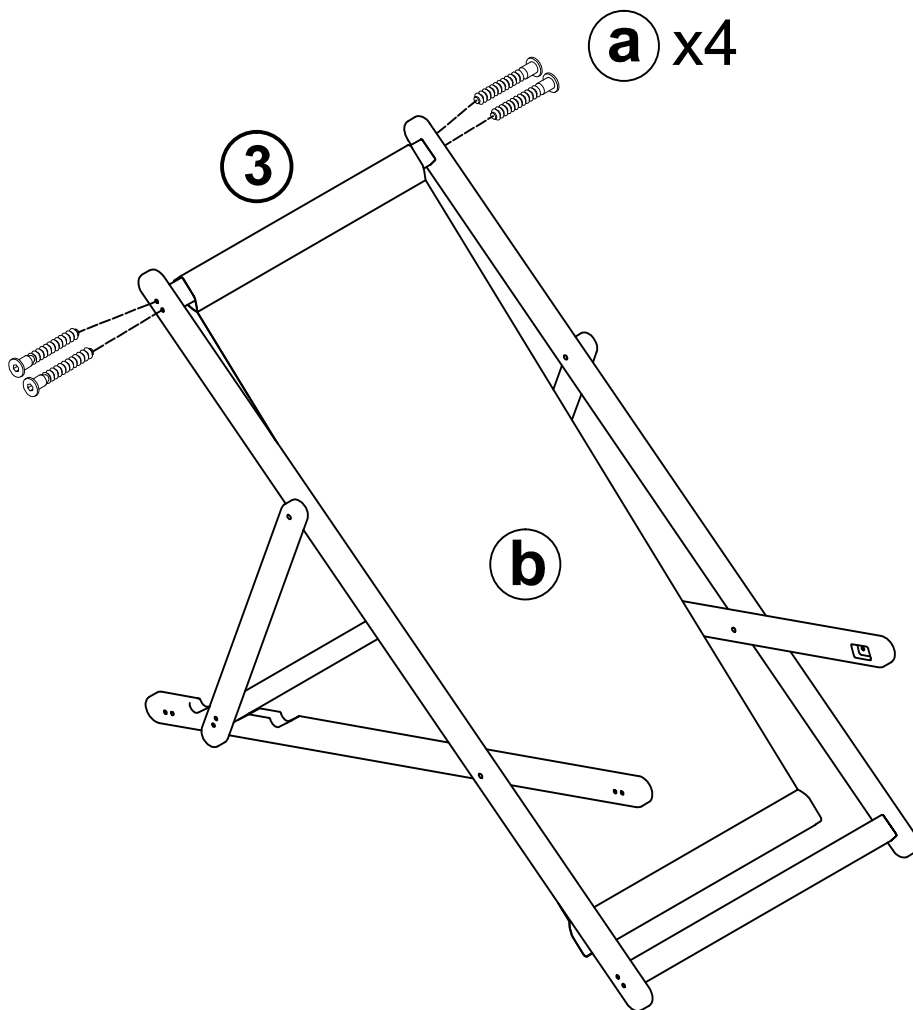


5

PRODUCT ASSEMBLY

2

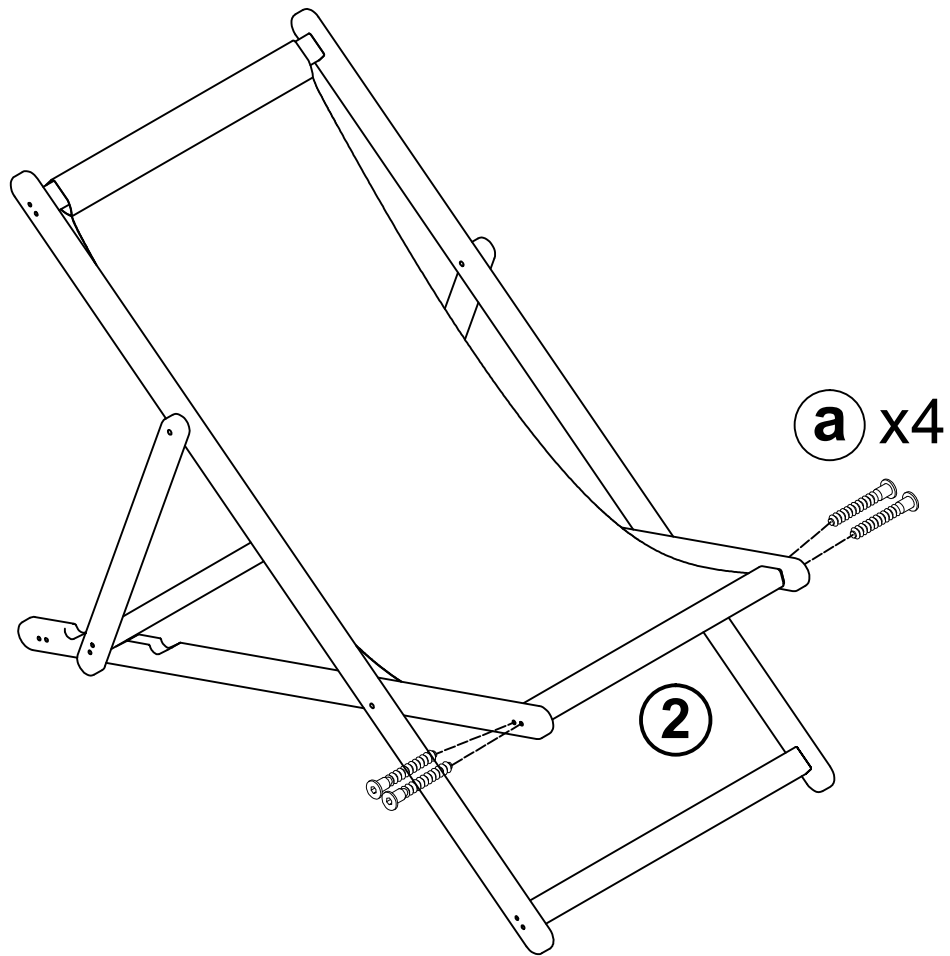
Open the chair, then attach the top fabric to the frame using medium bar ③



PRODUCT ASSEMBLY

3

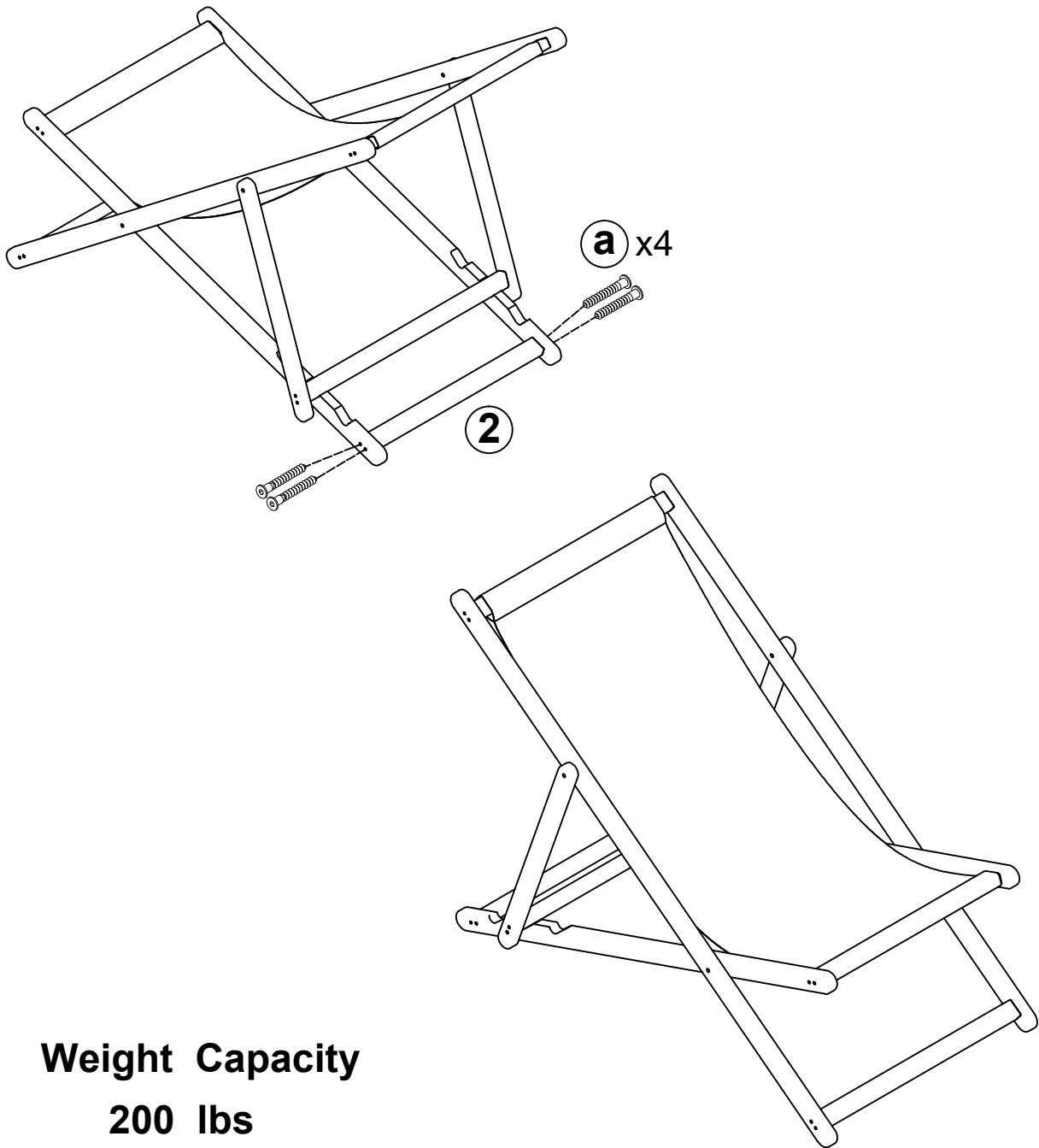
Attach the bottom fabric to the frame using short bar ②



PRODUCT ASSEMBLY

4

Attach the short bar ② to the frame.



Weight Capacity
200 lbs