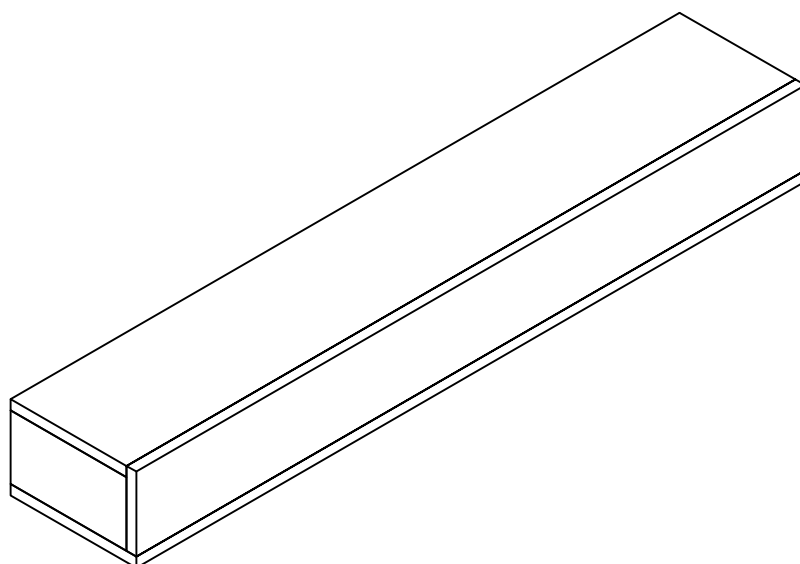


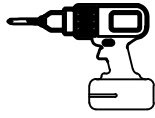
48" MANTEL SHELF



INSTRUCTION MANUAL

V1.0

TOOLS RECOMMENDED



POWERDRILL



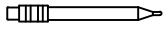
TAPE MEASURE



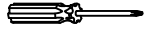
LEVEL



DRILL ϕ 6



PENCIL



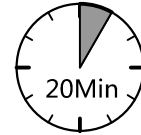
Phillips screwdriver



STUD FINDER

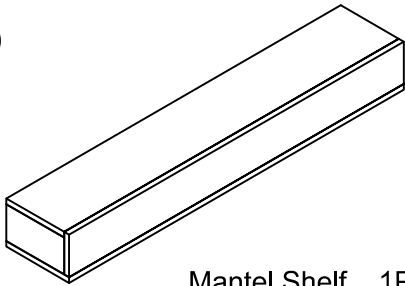


2 PERSON
ASSEMBLY



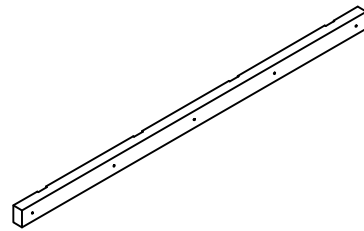
BUILD TIME

①



Mantel Shelf 1PC

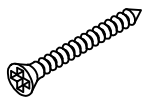
②



Mounting Board 1PC

Hardware

a



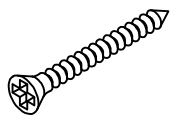
wood screw
3.5x60mm 5PCS

b



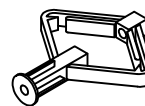
Anchor 5PCS

c



wood screw
3.5x60mm 5PCS

d

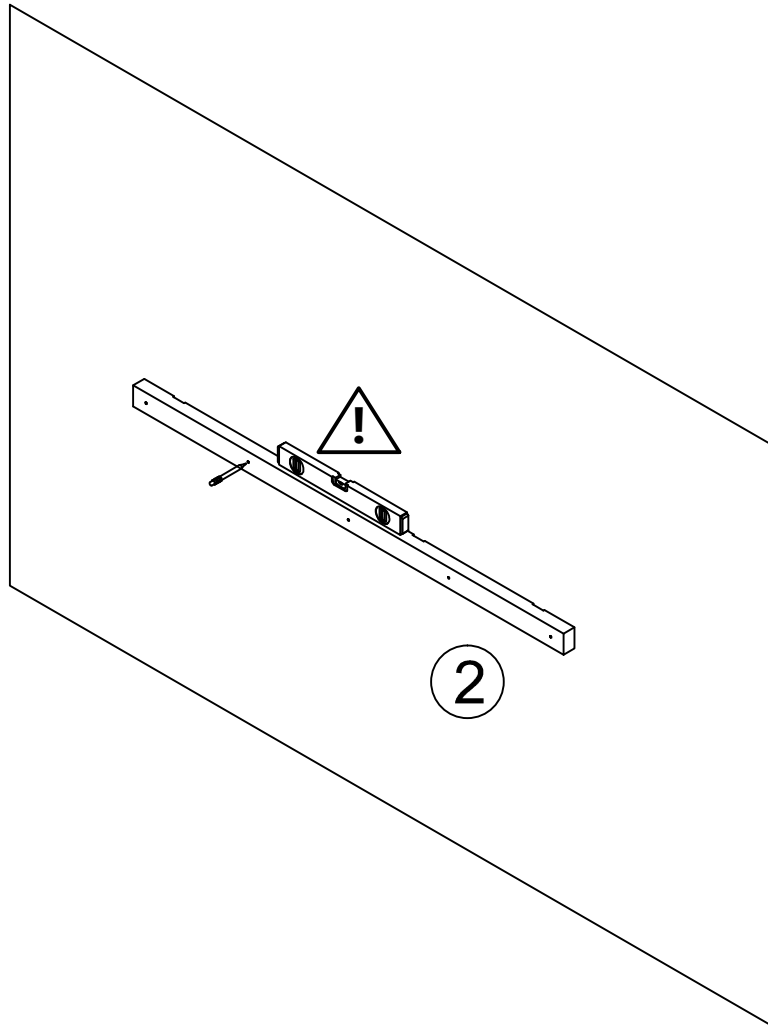


Anchor 5PCS

1

Put the Mounting Board to the Wall Where You Want to Install Mark All Holes with Pen or Pencil

⚠ Ensure Bracket is Level



For Wood Wall :

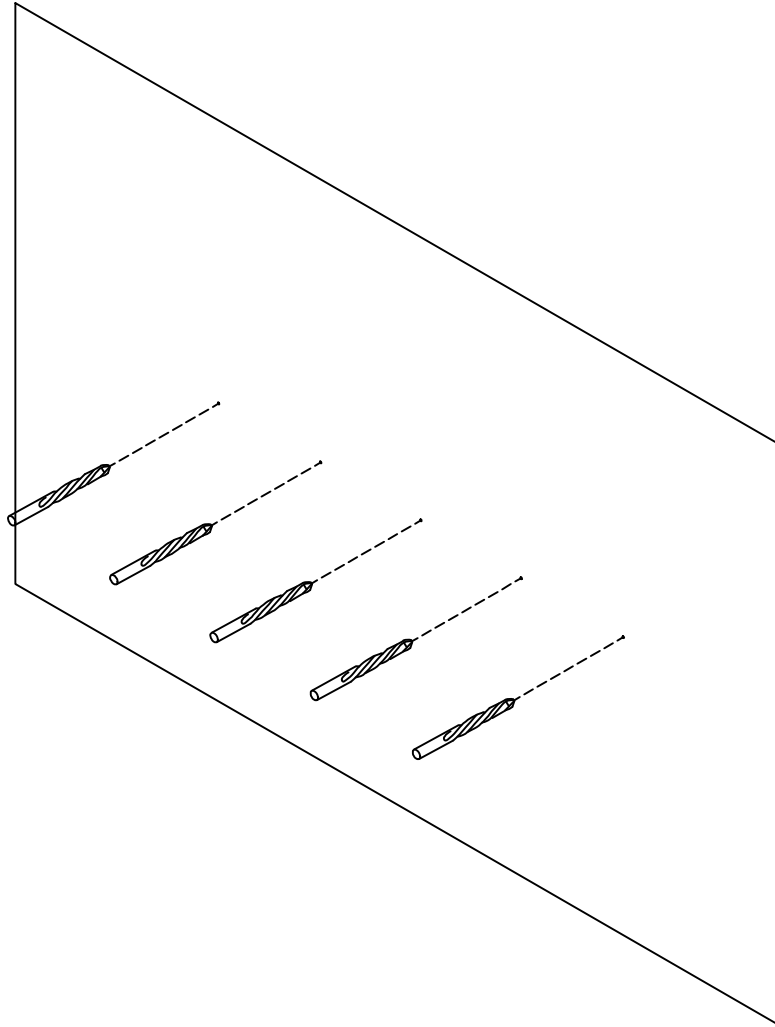
Use Stud Finder(not included) to Locate Wood Studs.
Secure the Mounting Board to the Wall Using (a) Screw Directly

For Dry wall or Cement , Brick Wall , Follow the Step 2 and 3

2

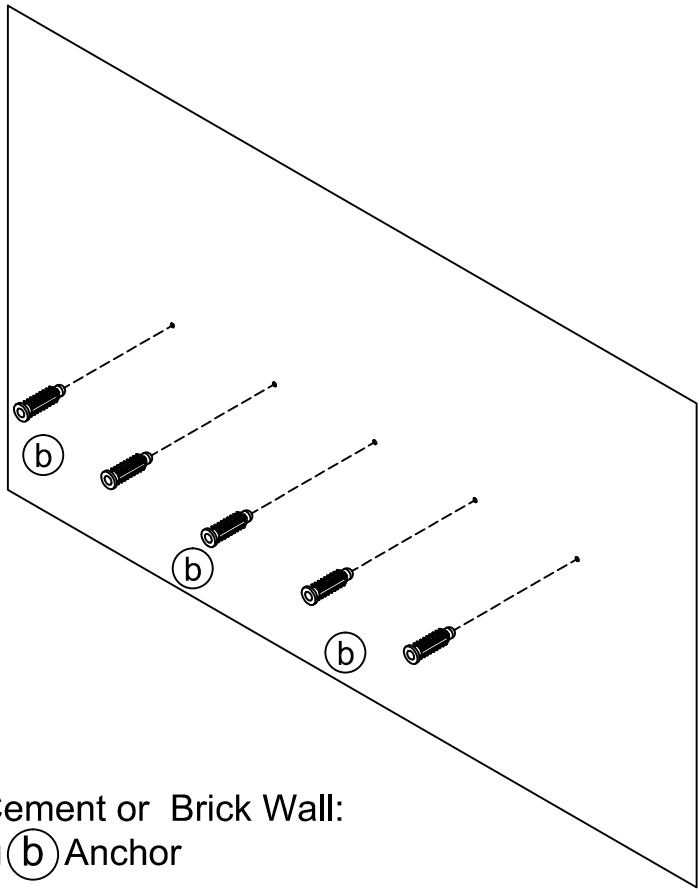
For Cement or Brick Wall: Drill $\text{Ø}6$ Hole at the Pencil Marks

For Dry wall: Drill $\text{Ø}10$ Hole

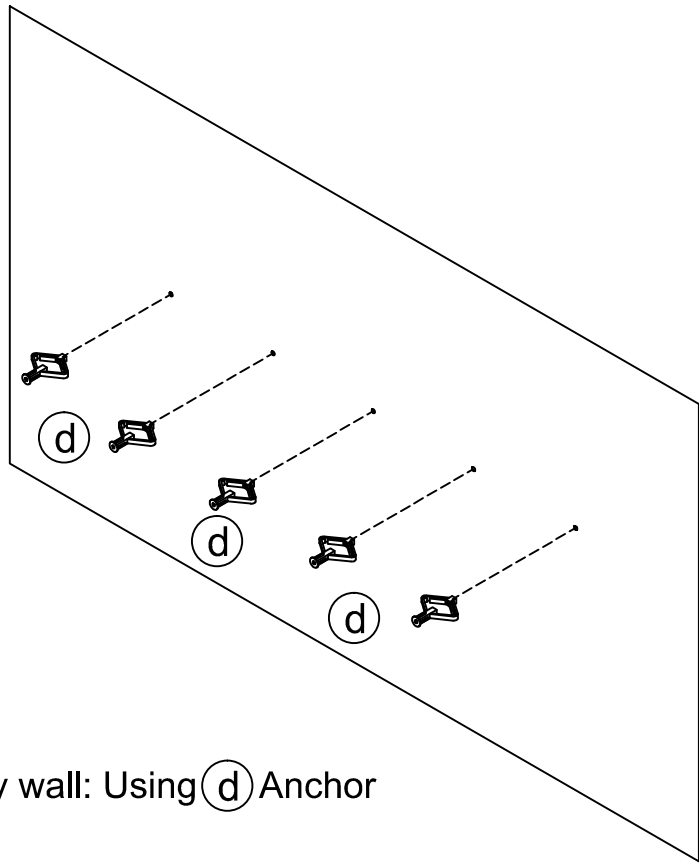


3

Hammer the Anchors into Place



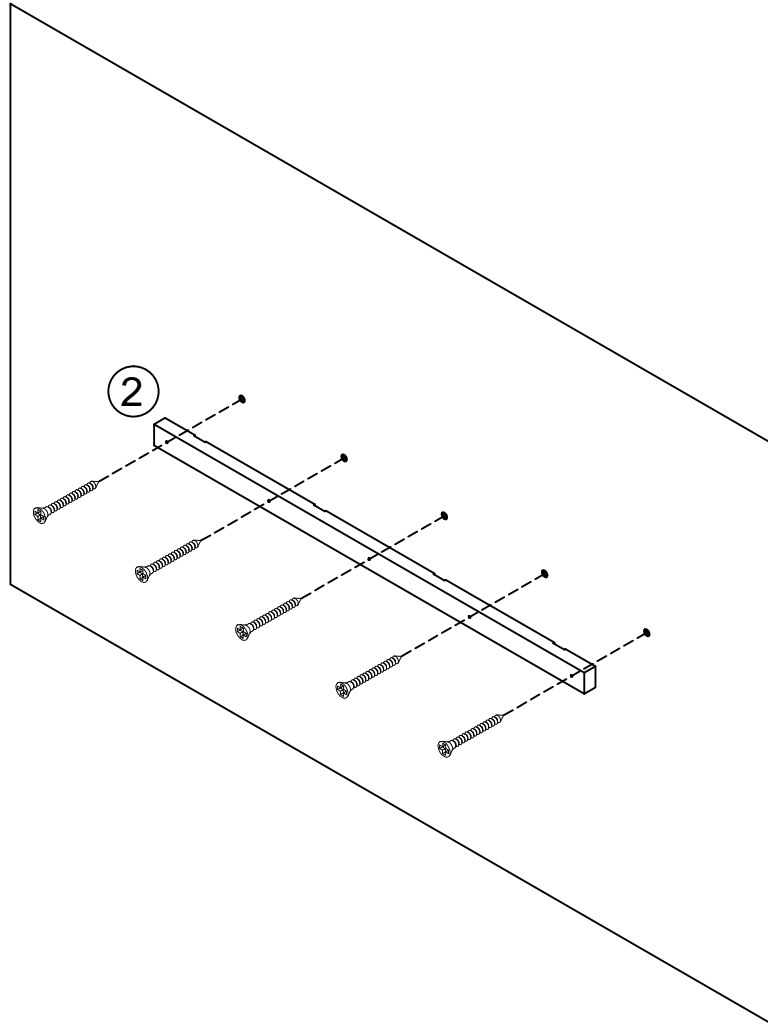
For Cement or Brick Wall:
Using (b) Anchor



For Dry wall: Using (d) Anchor

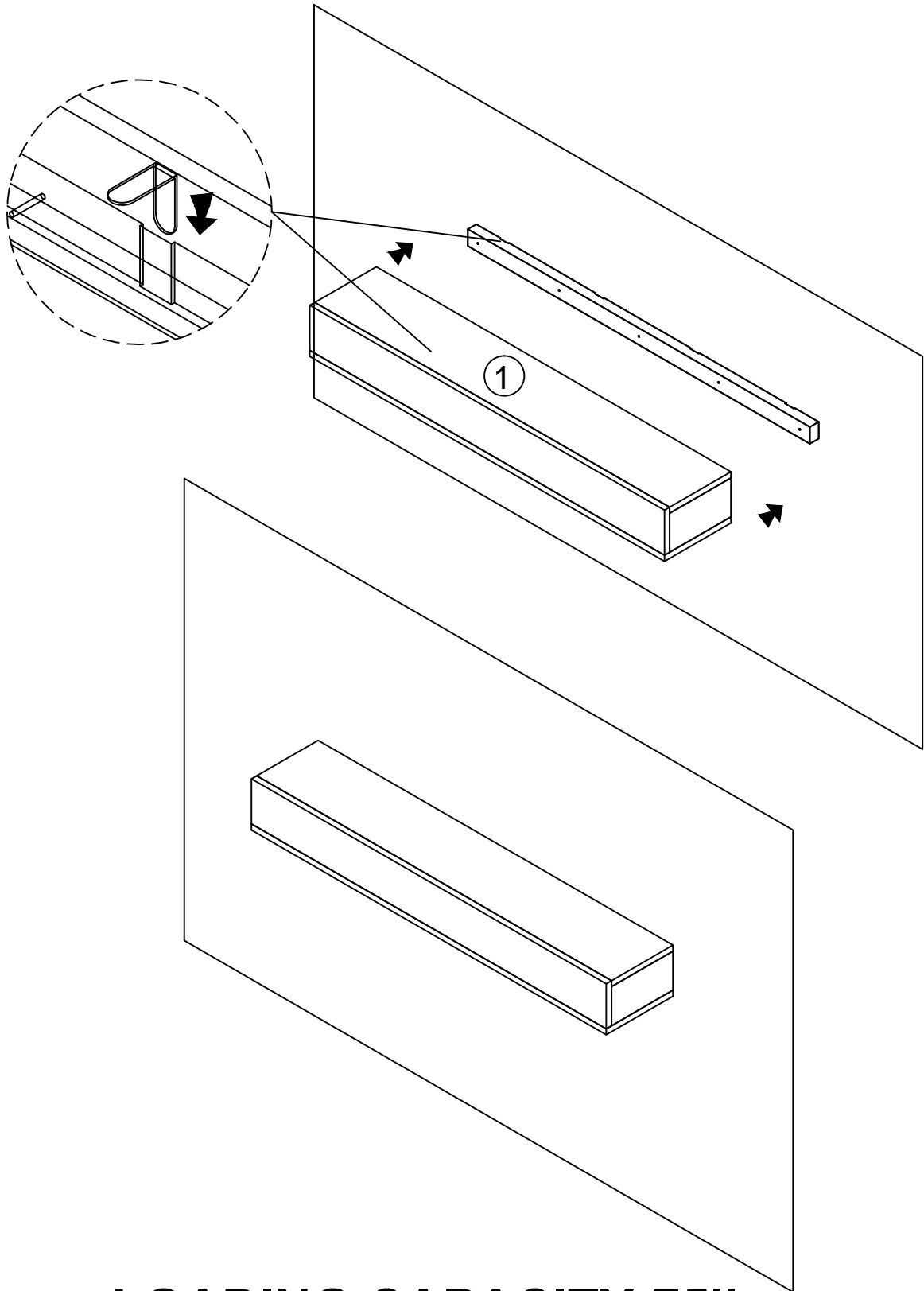
4

Attach the Mounting Board to the Wall Using (a) Screw to (b) Anchor
or (c) Screw to (d) Anchor



4

Insert the Shelf to the Mounting Board ,push down until the shelf is tight against the wall



LOADING CAPACITY:75lbs