

⚠ WARNING:

CHOKING HAZARD-Smallparts
Not for children under 3 yrs

⚠ WARNING:

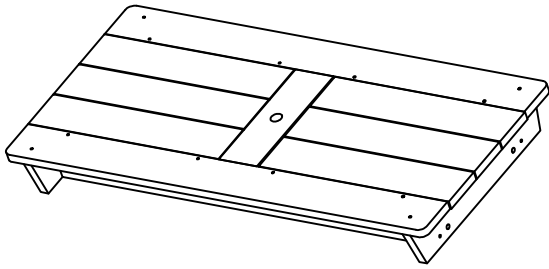
Adult assembly required, Product includes small parts with potentially hazardous sharp points and sharp edges in the unassembled state. Keep unassembled parts away from children.

INSTRUCTION MANUAL

Kids Picnic Table Set with Umbrella

1. Toy must be assembled by an adult before use exactly in accordance with the instructions.
2. Children must not use this product until properly installed.
3. Check all parts are present before you start to assemble the product. Place small parts on a tray or similar to ensure they are not lost. The manufacturing process can very occasionally result in sharp edges/waste material so please take care when assembling this product.
4. If any parts are missing do not use the product until the replacement parts are fitted.
5. Ensure your product is sited on level ground. Failure to do this may put additional stress on connections and joints and in time could cause them to fail.
6. Remove all packaging before giving to your children.
7. Equipment should be checked by an adult at the beginning of each season and at regular intervals during the usage season to ensure it is safe. Pay special attention to all connections and fastenings.
8. Parts may need to be replaced if they show signs of wear and tear. Replace any defective parts in accordance with these instructions.
9. Due to the natural characteristics of timber, it is vital to check your playframe regularly for splintering, lifting of surface layers of wood or exposure of rough wood. Affected areas must be rubbed down using coarse sandpaper to restore a smooth, safe surface.
10. Any changes to this toy eg changing or adding an accessory, must be done in accordance with our instructions. Failure to do this will render your guarantee null and void and may make your product unsafe.
11. Never place toys near a fire.
12. In high winds, ensure outdoor toys are moved to a sheltered position and/or securely staked down.
13. The age recommendation for this product is clearly stated on the packaging and in these instructions. Please adhere to it at all times. Adult supervision is required at all times to ensure children play safely.

① 940MM X1



② 650MM X4



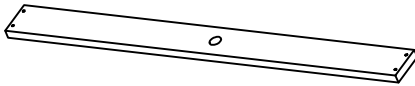
③ 875MM X2




④ 940MM X2




⑤ 865MM X1

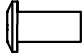


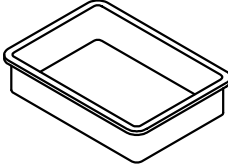
Hardware

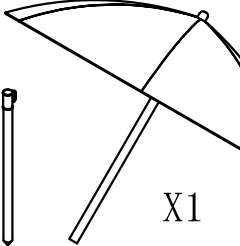
Ⓐ 
3*35 MM
Screw x12

Ⓑ 
6*45 MM
Bolt X8

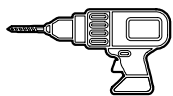
Ⓒ 
6*30 MM
Bolt X8

Ⓓ 
6*15 MM
Nut X16

Ⓔ 
X2

Ⓕ 
Umbrella
X1

TOOLS RECOMMENDED



POWERDRILL



TAPE MEASURE

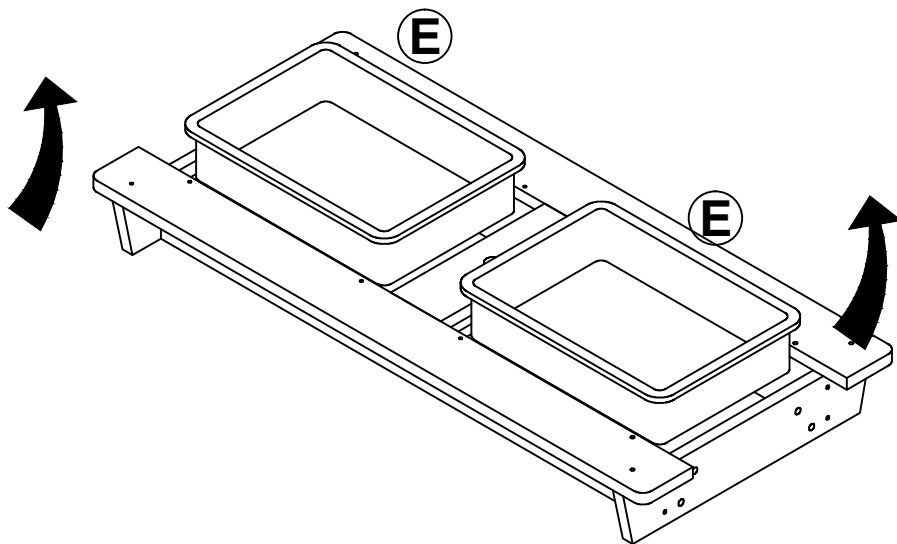
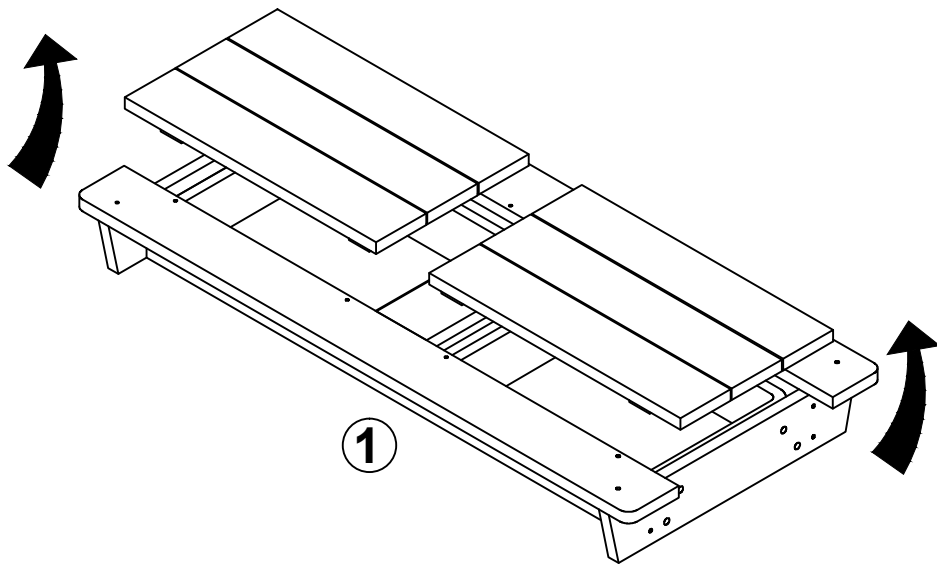


2 PERSON
ASSEMBLY



BUILD TIME

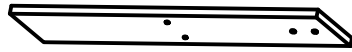
1



4

2

2 650MM X4



B

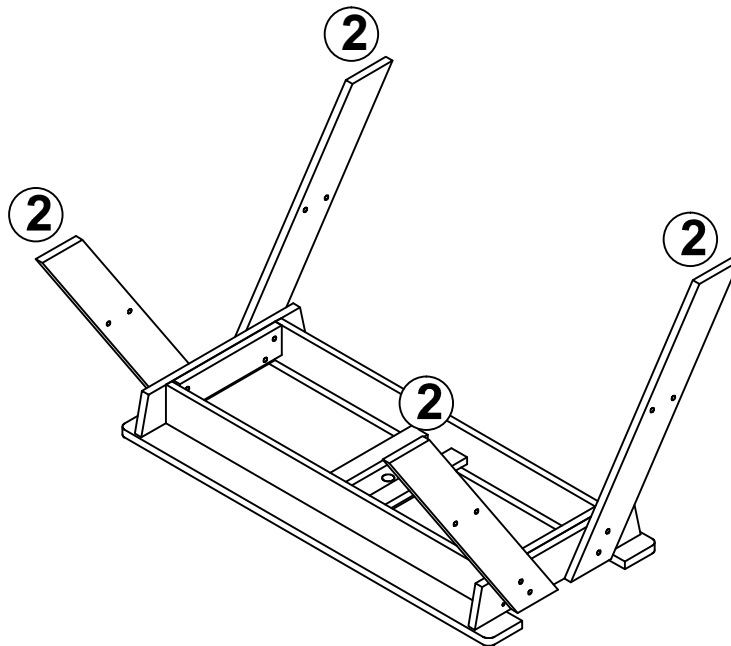
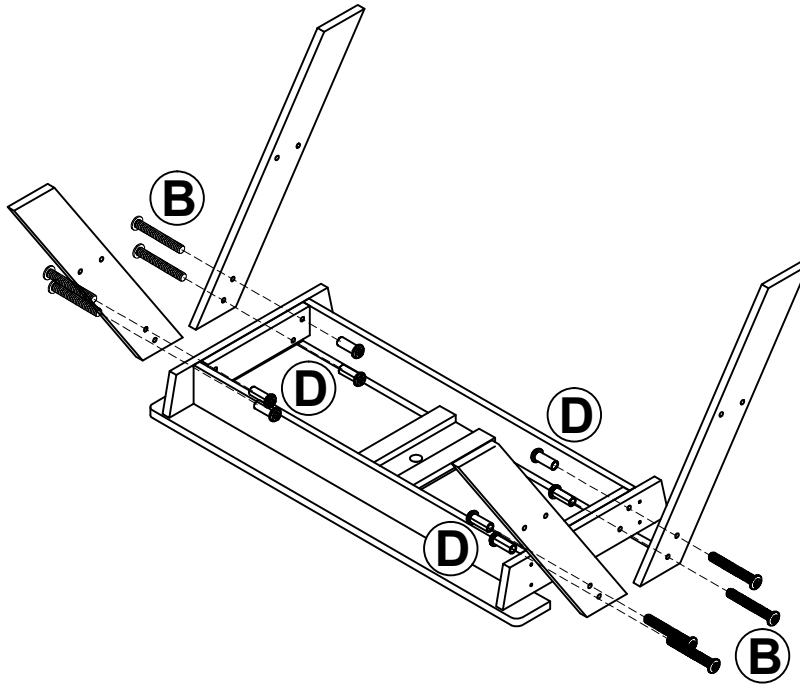


6*40 MM
Wood Bolt X8

D



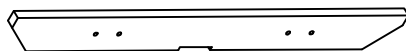
6*15 MM
Wood Bolt X8



5

3

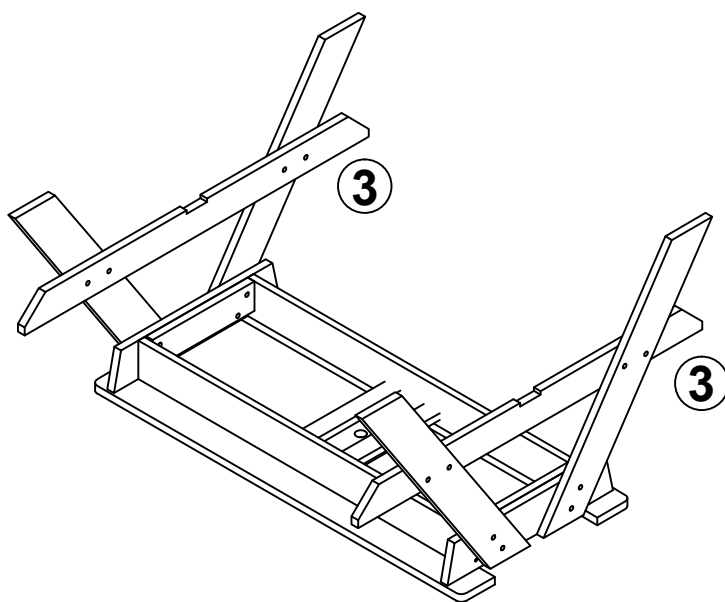
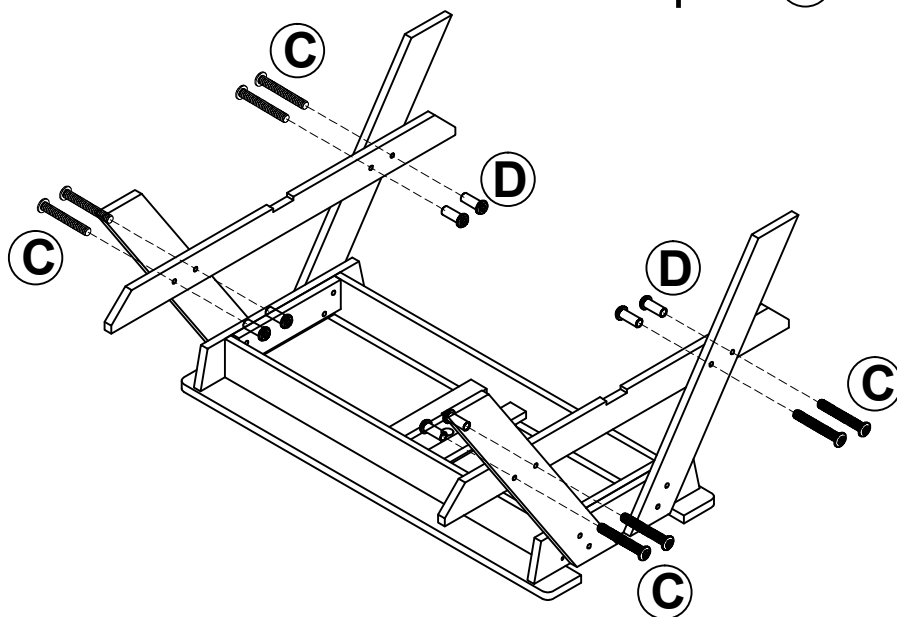
3 875MM X2



C 
6*25 MM
Bolt X8

D 
6*15 MM
Nut X8


Note: part **3** inside the legs

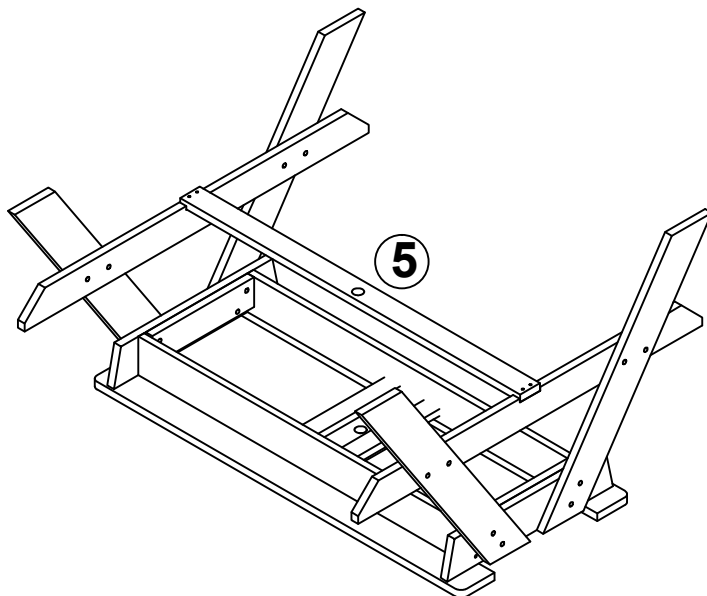
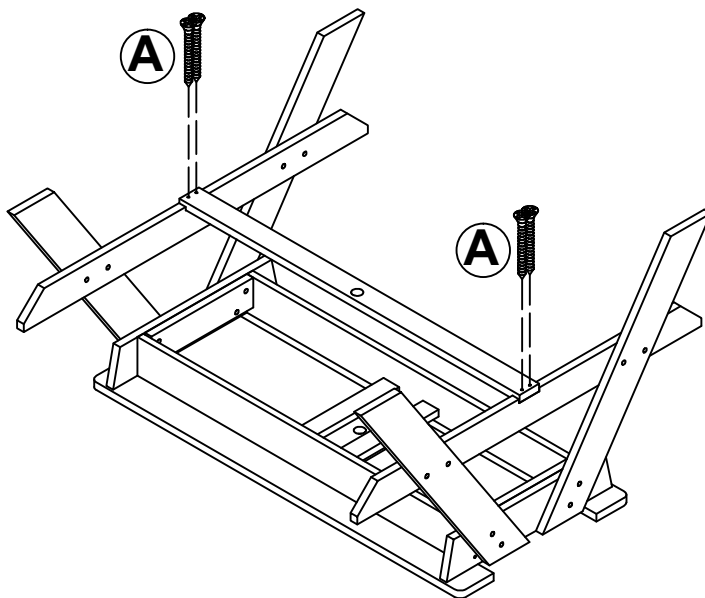
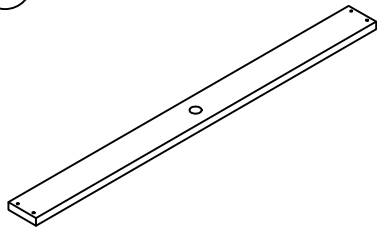


6

4

5 865MM X1

A 
3*35 MM
Screw x 4



7

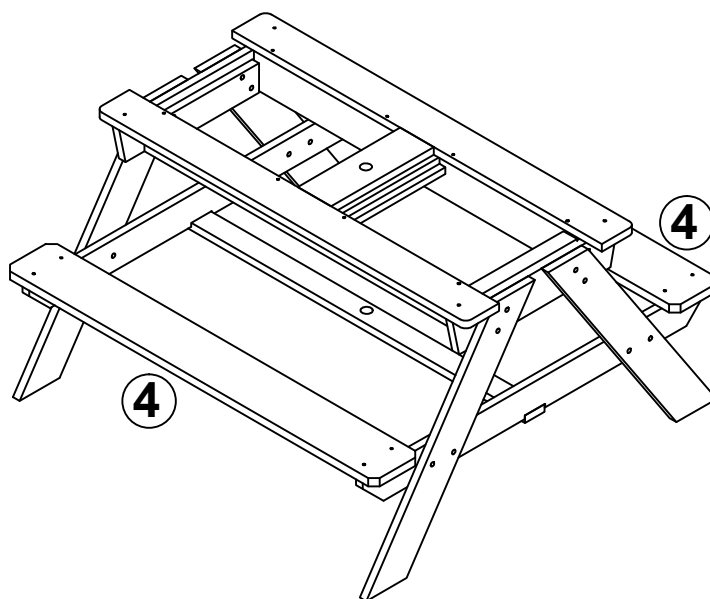
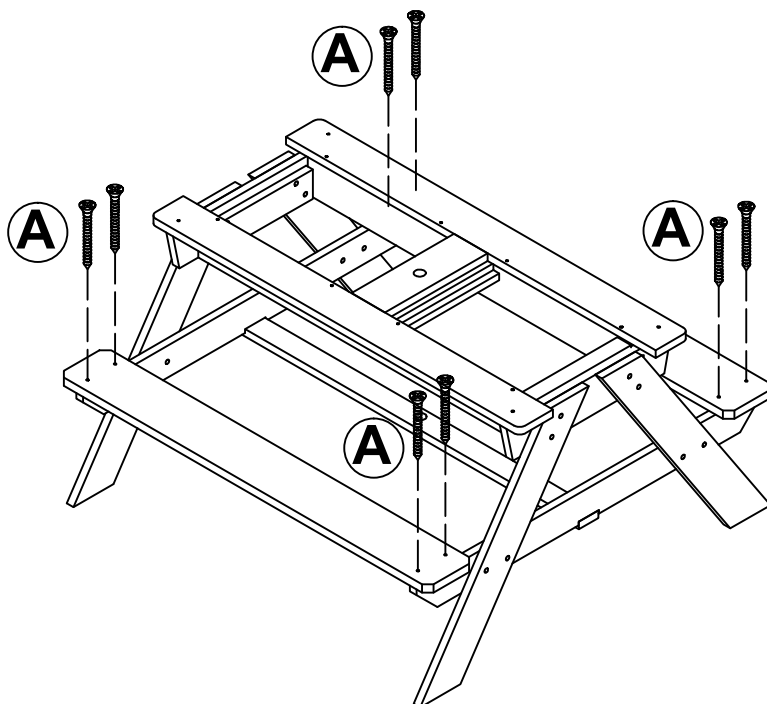
5

4 940MM X2

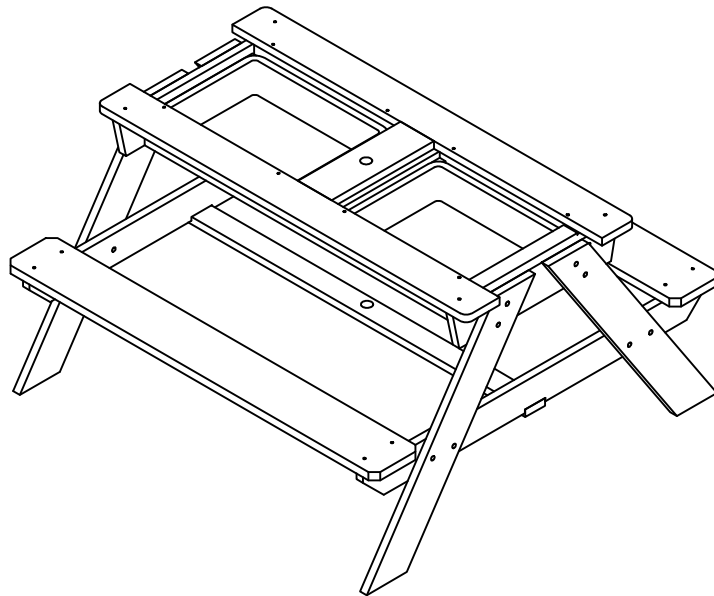
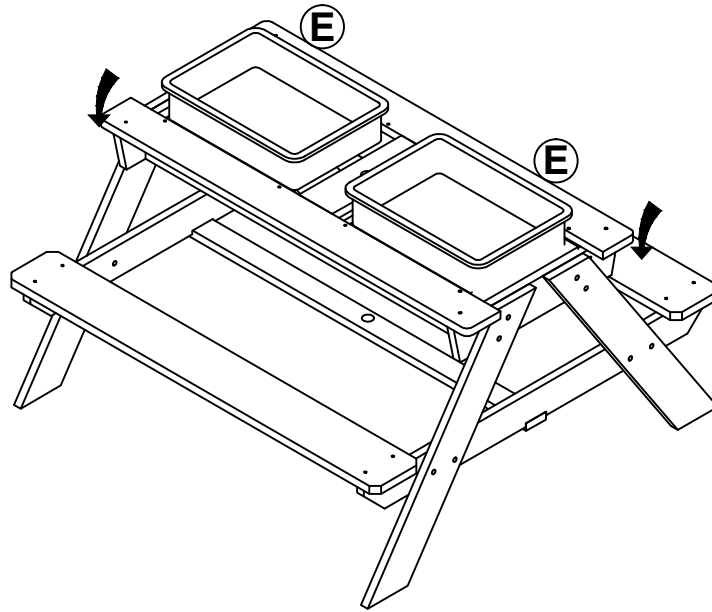
A



3*35 MM
Screw x 8



6



9

7

