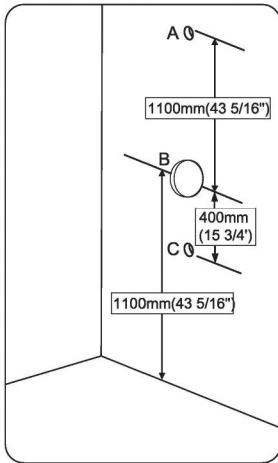


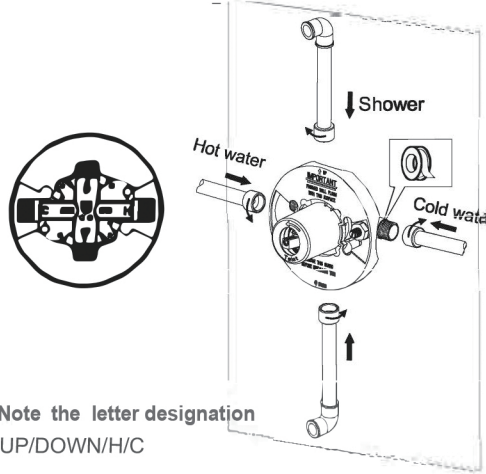
1 Please drill three holes in the wall according to the dimensions provided on the right

A, Shower Arm
B, Handle
C, Water Outlet



2 Pipe Connection

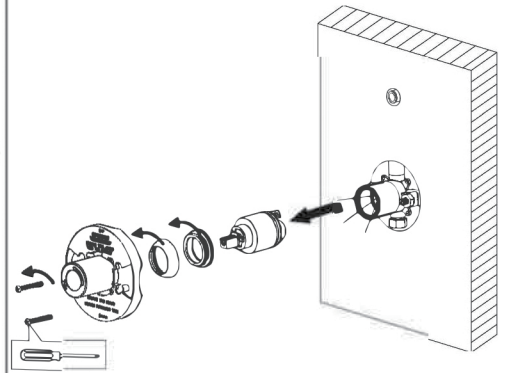
Connect water supplies to left (H) and right (C) Shower (up) and water outlet (down) valve body inlets using proper fittings for your valve body type



Note the letter designation UP/DOWN/H/C

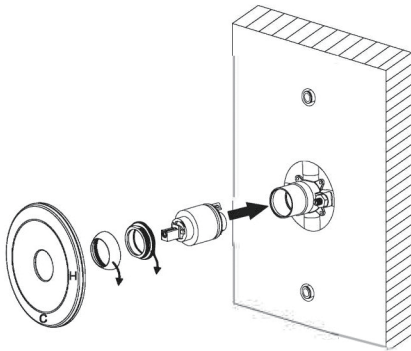
3

Use a screwdriver to remove in order



4

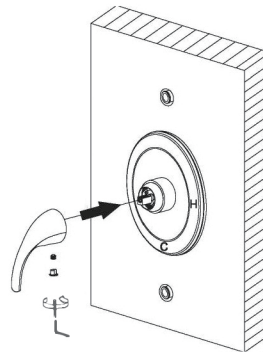
Install the panel, lock the screws and fix it



5

Handle Installation

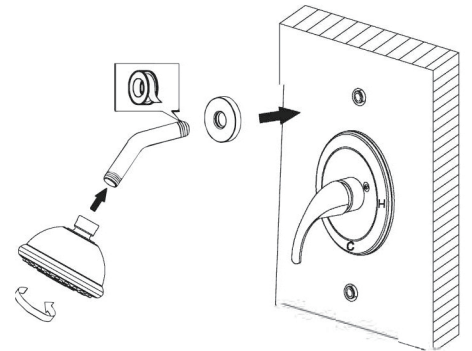
Secure handle onto the stem with set screw, using the Allen key provided. Insert plug button into set screw hole.



6

Shower Head Installation

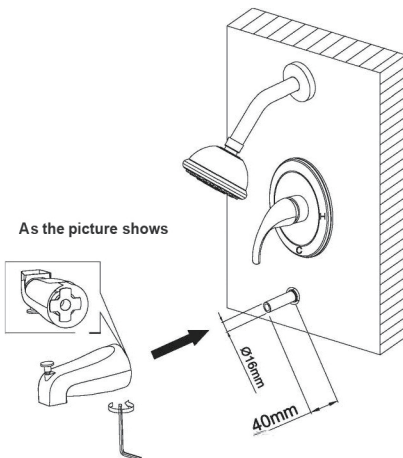
Apply sealant tape and install shower head



7A

Tub Spout Installation

Method 1: Intubation installation

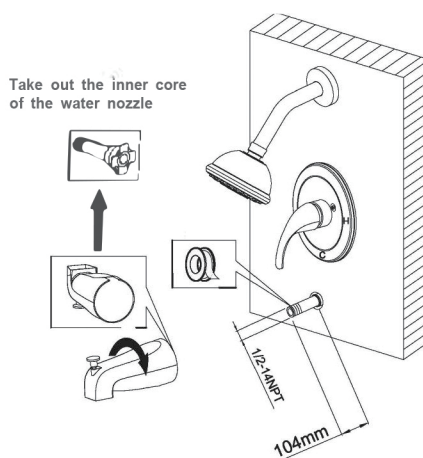


7B

Tub Spout Installation

Method 2: Threaded installation

Take out the inner core of the water nozzle



8

Flush System/Check For Leaks

Turn on hot and cold water lines to full open for one minute each. Run water to remove debris. Check for leaks.

