

User Manual

AW3322A1QL

Warranty

This product has been manufactured and inspected to the highest possible quality standards. Our sinks carry a limited 5 years warranty for residential use.

Should you experience any defects in materials or workmanship within the warranty period, we will repair or replace the defective product, subject to the following conditions:

- Any claim made under this warranty must include a copy of a valid proof of purchase showing the date and place of purchase.
- Our obligation under this warranty is to the original purchaser only, and may not be transferred.
- Product replacement does not include shipping costs or labor installation costs.
- This warranty applies to residential installations only.
- We reserve the right to examine product in question and its installation prior to replacement.
- If an identical replacement product is not available, We reserve the right to replace the defective product with a similar product.

This warranty relates to defects in manufacture, materials or workmanship in a stainless steel kitchen sink supplied for installation into domestic premises in the United States. It does not extend to :

- Damage resulting from failure to maintain the product in accordance with the Care and Maintenance instructions in this manual.
- Normal wear and tear, scratches or accidental damage.
- Faults arising from improper use and/or installation.
- Defects in accessories, strainers and rinse grids.

All incidental or consequential damages are specifically excluded. No additional warranties, express or implied are given, including but not limited to, any implied warranty of merchantability or fitness for a particular purpose.

Some states do not allow the exclusion or limitation of incidental or consequential damages or limitations on how long an implied warranty lasts, so the above limitations or exclusions may not apply to you.


This warranty gives you specific legal rights, and you may also have other rights which vary from state to state.

Apron-Front Stainless Steel Kitchen Sink with ledge

Features

- 18 Gauge stainless steel
- Premium 304 grade stainless steel
- Heavy duty sound guard padding and undercoating
- Slanted bottom with elegant drain grooves for easy draining
- Round corners (R10) for easy cleaning
- Drain placement – Rear
- Lips on two sides to provide track for cutting board



 In Accordance with Industry Codes&Standards for USA&Canada All Stainless Steel Kitchen Sinks are Certified & Listed By cUPC.

Accessories (Included)

In the Box

- Sink
- Mounting and installing brackets
- Accessories



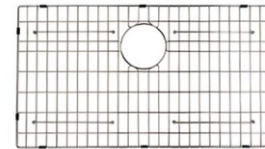
Wood cutting board



Roll-up Drying Rack



Drying rack



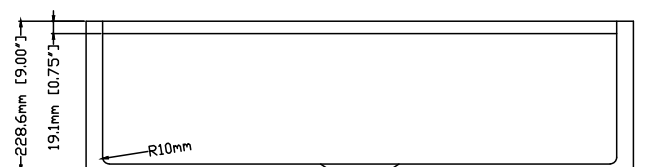
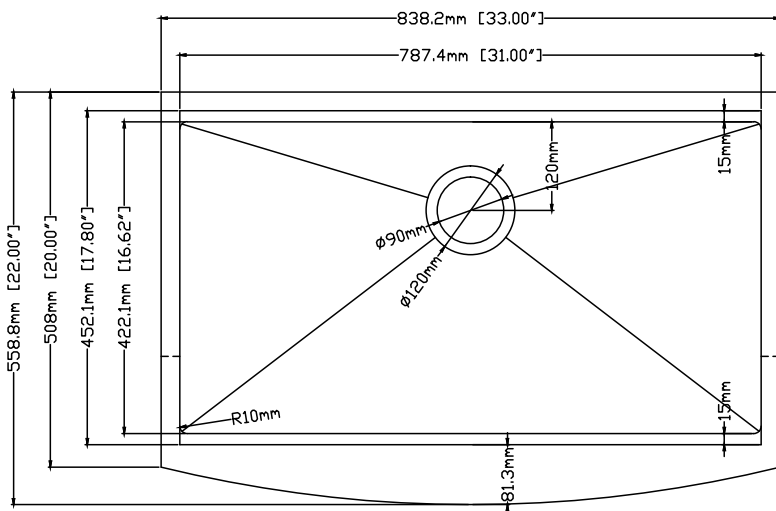
Stainless steel grid



Sink Strainer

Dimensions

Mode	Length	Width	Depth
AW3322A1QL	33"	22"	9"

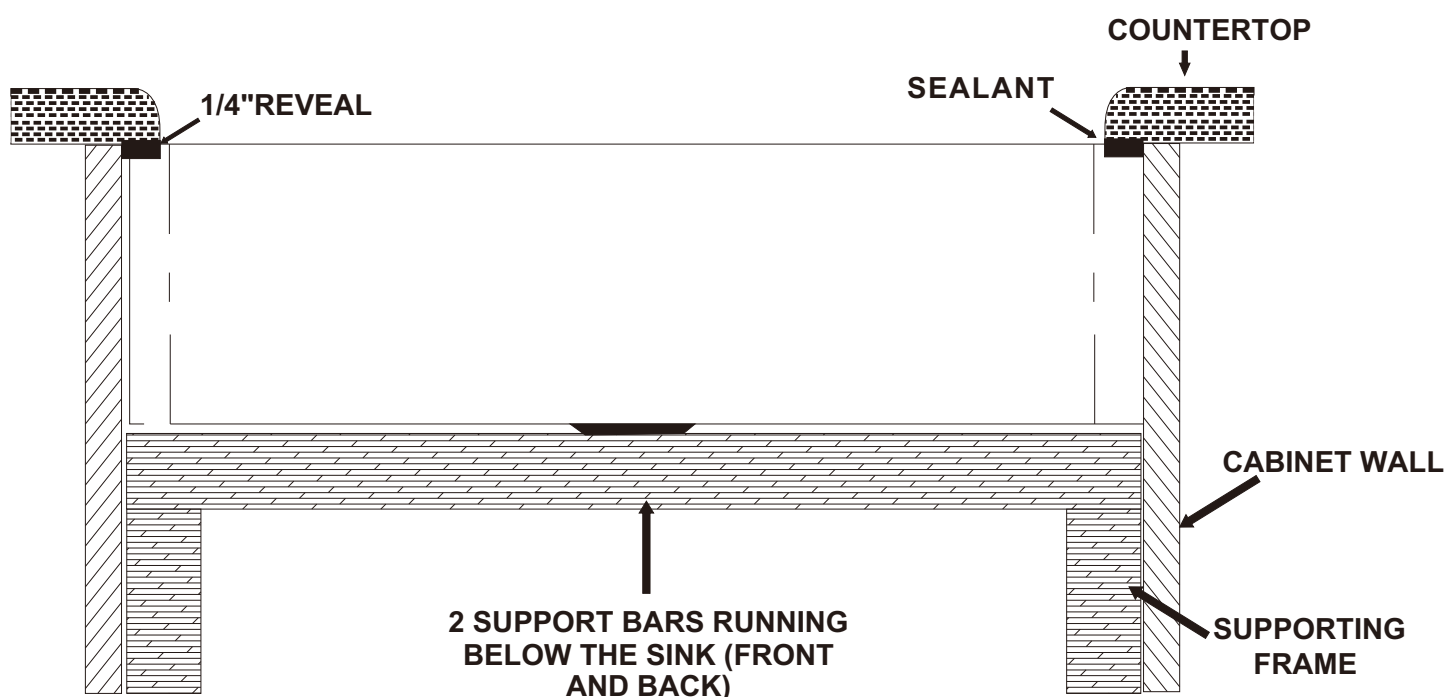


Prior to installation steps:

1. Unpack your new product and ensure that all the parts are contained in the packaging.
2. Keep the product in its original box until you are ready to install it.
3. The counter top must be flat.
4. Shut off the water supply if replacing a previously-installed vessel sink.
5. Observe all plumbing and building codes in your area.
6. It is recommended that installation of the product be done by a professional plumber.
7. We are not responsible for improper sink or countertop installation. We are not liable for any damages to sink or countertop or personal injury during installation.

Decide on your preference prior to installation.

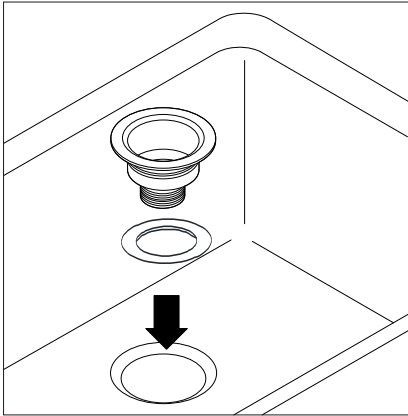
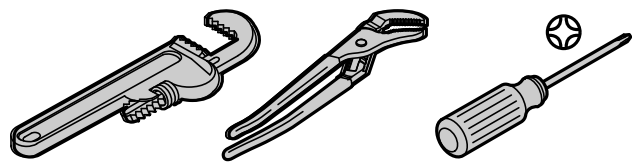
Alignment of sink to cutout is critical for a superior fit and finished look. Depending on your aesthetic preference, sinks can be installed either with a 1/4" reveal, flush fit, or with a negative reveal. 1/4" reveal is recommended.



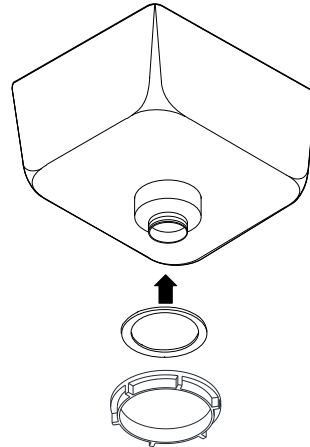
Installation

1. Measure sink apron and cabinet opening to make sure sink apron will fit into cabinet opening. If necessary, sand opening or add wood filler strips.
2. Prepare the cabinet and create a support frame inside the cabinet that the sink will sit on. Use 2x4 solid wood studs to create the support frame. Your cabinet and support frame should be strong enough to hold up to 200 lbs of weight once installed. The support frame should be positioned so that the top of the sink rim is level and flush with the top surface of the cabinet perimeter. Make sure the support frame leaves room for the drains, faucet water lines, garbage disposal (if any).
3. Place a thin layer of sealant on the supporting frame where it will contact the sink
4. Gently position the sink on the frame. Verify that the sink sits level and sturdy on the frame, and the top surface of the sink is level and flush with the top surface of the cabinet perimeter. Adjust or shim between the sink and support if necessary.
5. Due to the various cutout sizes possible (based on your preference) a cut out template is not provided. Use the actual sink measurement to determine the actual location of the cutout. Ensure adequate clearance behind the sink for any faucet and backsplash.
6. Trace cut-out opening on the countertop. Cut out the opening in the counter top. Use an Orbital sander or sanding block to smooth the edge of the cut-out area and remove all saw marks. For laminate type countertop, all exposed unlaminated surfaces near the cut-out opening must be adequately finished and sealed to prevent water damage.
7. Clean the rim of the sink and the under surface of the countertop where it will contact the rim. Apply a generous bead of sealant around the sink rim.
8. Gently position the countertop on the sink. Ensure that the sealant provides a complete seal between the countertop and the sink. Wipe off any extra sealant using a wet cloth, and apply extra sealant if there are any gaps

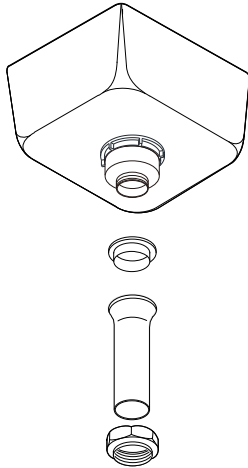
Strainer Installation Guide



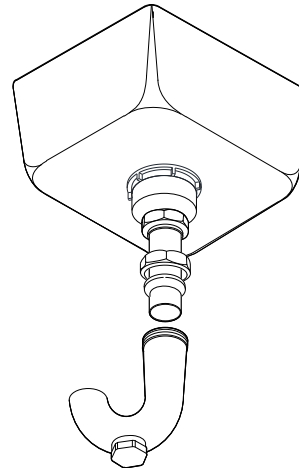
Step1: Taking apart the sink strainer, put the upper strainer body and gasket into the sink hole



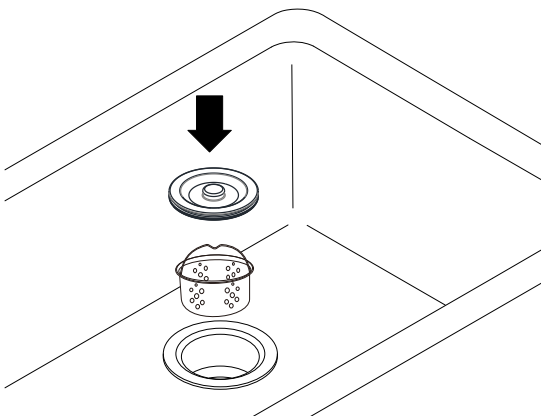
Step2: Put the lower strainer and gasket connect to the upper part under the sink.



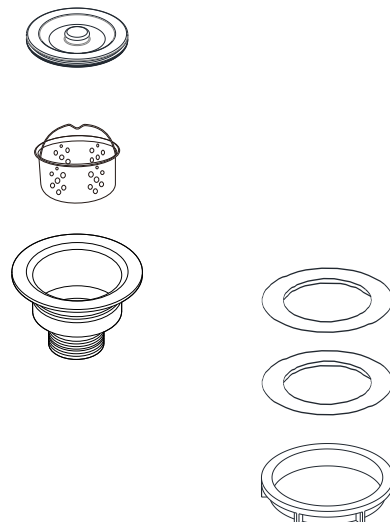
Step3: Connect the drain tailpiece



Step4: Connect the trap. Run water and check for leaks.



Step5: Insert the basket.



Care and Maintenance

"The Do's"

1. When it comes to maintenance, the best thing you can do is be consistent in your cleaning. It is preferable to clean a little on a frequent basis than a heavy duty cleaning once in a while.
2. You should make sure that the sink is always clean and dry when not in use. This is the best method of preventative maintenance. Keep the sink water spot free and shiny by rinsing and towel drying after every use.
3. Keep the single clog free to prevent standing water which can lead to mineral deposit build up.
4. If a mineral build up should occur, use a mixture of vinegar and hot water to remove the deposit.
5. To clean your sink, use a non abrasive cleaning cloth combined with a mild cleaning procedure.
 - * Use a soft cloth and liquid detergent on a mirror finish deck.
 - * Do Not Use Any Abrasive Materials On Sink Finish
 - * For tougher stains use a mild abrasive cleaner like Ajax or Comet.
6. Wipe the sink dry after cleaning to discourage any water spotting.
7. Follow the direction of the grain when cleaning or scrubbing away stains. Scrubbing against the grain will show as a scratch.

"The Don'ts"

1. Avoid using any abrasive steel wood pads as they will leave an iron residue that will eventually lead to rust and corrosion.
2. Do not leave any steel or cast iron cookware in the sink for a long period of time. This may also leave iron particles that will corrode the sink
3. Do not leave any cleaning materials such as sponges or rags in the sink for an extended period of time.
Anything left in the sink can trap moisture which will eventually lead to staining
4. Avoid using any avrasive cleaning materials such as steel wool pads on the polished finish of the sink, this will lead to scratching.