

ALWEN STORE

User Manual

AW3219A1BR10

Warranty

This product has been manufactured and inspected to the highest possible quality standards. Our sinks carry a limited 5 years warranty for residential use.

Should you experience any defects in materials or workmanship within the warranty period, we will repair or replace the defective product, subject to the following conditions:

- Any claim made under this warranty must include a copy of a valid proof of purchase showing the date and place of purchase.
- Our obligation under this warranty is to the original purchaser only, and may not be transferred.
- Product replacement does not include shipping costs or labor installation costs.
- This warranty applies to residential installations only.
- We reserve the right to examine product in question and its installation prior to replacement.
- If an identical replacement product is not available, We reserve the right to replace the defective product with a similar product.

This warranty relates to defects in manufacture, materials or workmanship in a stainless steel kitchen sink supplied for installation into domestic premises in the United States. It does not extend to :

- Damage resulting from failure to maintain the product in accordance with the Care and Maintenance instructions in this manual.
- Normal wear and tear, scratches or accidental damage.
- Faults arising from improper use and/or installation.
- Defects in accessories, strainers and rinse grids.

All incidental or consequential damages are specifically excluded. No additional warranties, express or implied are given, including but not limited to, any implied warranty of merchantability or fitness for a particular purpose.

Some states do not allow the exclusion or limitation of incidental or consequential damages or limitations on how long an implied warranty lasts, so the above limitations or exclusions may not apply to you.

This warranty gives you specific legal rights, and you may also have other rights which vary from state to state.

Undermount Stainless Steel Kitchen Sink Single Bowl

Features

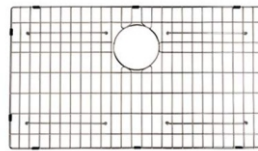
- 16 Gauge stainless steel
- Premium 304 grade stainless steel (18/10 Chromium/Nickel)
- Sandblasted to create Matte PVD finish: Easy to clean, long-lasting and resists fingerprints
- Heavy duty sound guard padding and undercoating
- Slanted bottom with elegant drain grooves for easy draining
- Round corners (R10) for easy cleaning
- Drain placement – Rear



In the Box

- Cut out template
- Sink
- Mounting and installing brackets
- Accessories

Accessories (Included)



Stainless steel grid



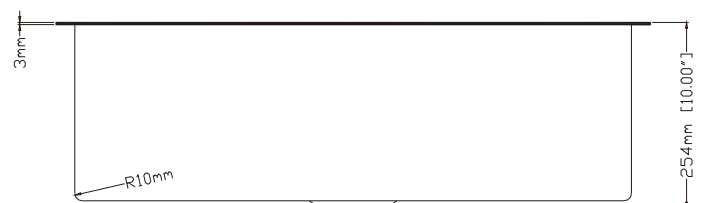
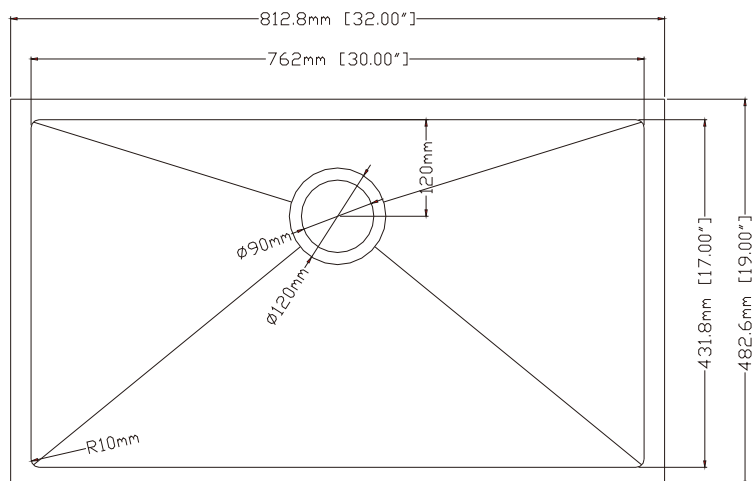
Roll-up Drying Rack



Sink Strainer

Dimensions

Mode	Length	Width	Depth
AW3219A1BR10	32"	19"	10"



Prior to installation steps:

1. Unpack your new product and ensure that all the parts are contained in the packaging.
2. Keep the product in its original box until you are ready to install it.
3. The counter top must be flat.
4. Shut off the water supply if replacing a previously-installed vessel sink.
5. Observe all plumbing and building codes in your area.
6. It is recommended that installation of the product be done by a professional plumber.
7. We are not responsible for improper sink or countertop installation. We are not liable for any damages to sink or countertop or personal injury during installation.

Decide on your preference prior to installation.

Alignment of sink to cutout is critical for a superior fit and finished look. Depending on your aesthetic preference, sinks can be installed either with a 1/4" reveal, flush fit, or with a negative reveal. 1/4" reveal is recommended.

1/4" Reveal

The countertop edge sits approximately **1/4" back** from the edge of the sink and exposes the rim of the sink.



Flush Fit

The countertop meets the edge of the sink, **fitting flush** with the sink bowl.



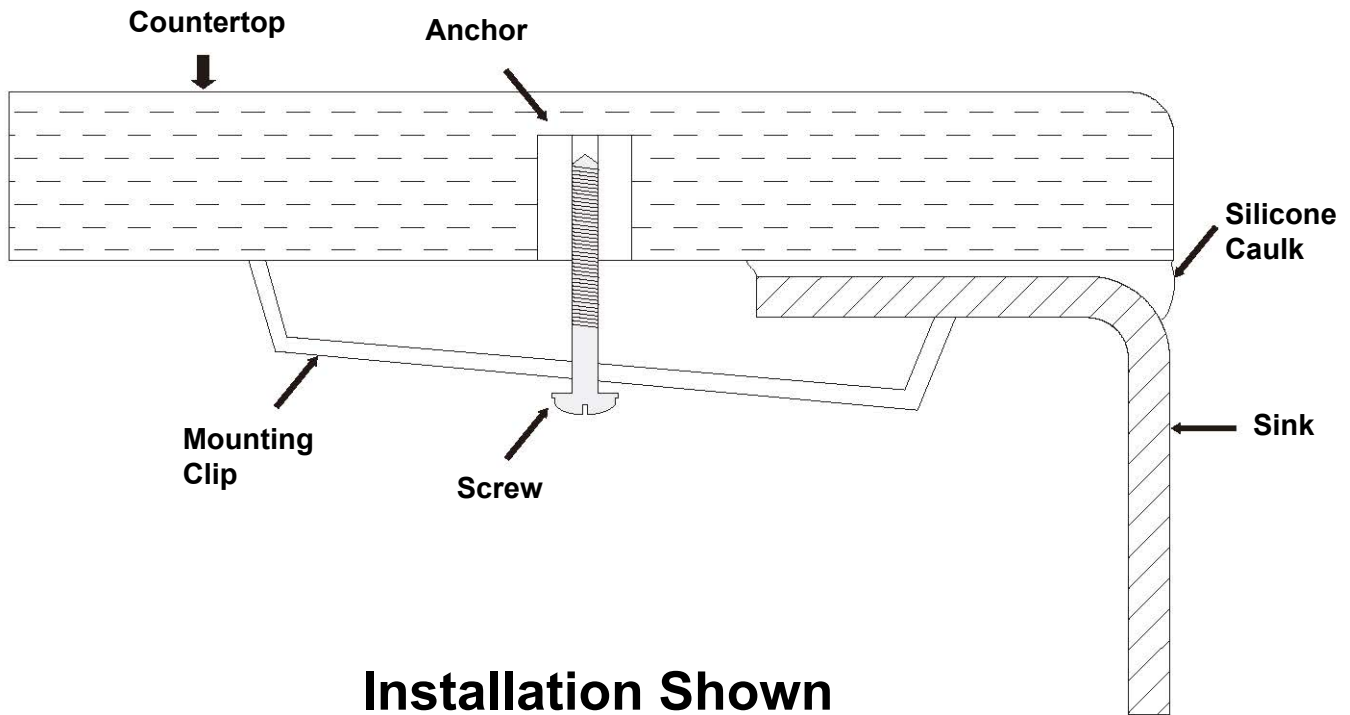
1/4" Overhang

The countertop **extends 1/4"** over the edge of the sink on all sides.



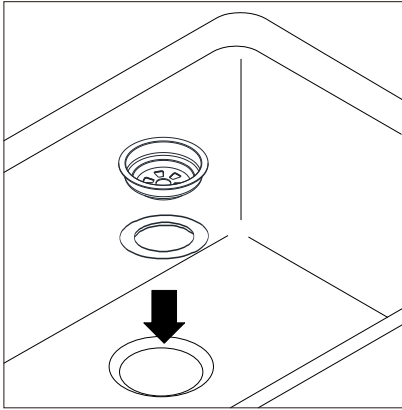
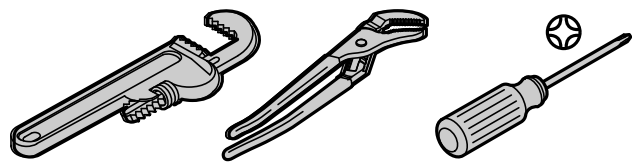
Installation

#žB'SUWFW_ b'SfWa` Uag` fVfabžBae[f[a` [f egUZ fZSf fZWe[] i [^ZShWbcbWUWScS` UW
Xba_ UST[Wž
\$žFcdSUMS [WScag` V fZWFW_ b'SfW6WVd_ [W ZSf` dWWSŠkagi S` f kagde[] fa ZShW
/eWbdW[agebSYWIS` V TSeW a` fZSf SVgef fZW[WSUadV[Ykž5gf S`a` Y fZW[Wž
%žFgd fZWUag` fVfab gbe[VWai` tS` V_ Sd] WWV kžebSUW bae[f[a` eXadfZWS` UZade
XadfZW_ ag` f[Y U[božl WdWa_ _ WV%_ ag` f[Y U[beXadfZWe[] e[VW\$` ŠS` V
`a` YWd S` V \$ _ ag` f[Y U[beXadfZWeZadVde[VWž6d[^Za W`XadfZWS` UZade/Wa`ai [Y
fZWUag` fVfab _ S` gXSUfgdVde[efdgUf[a` efiseeZai` TWai žGeMS Vd^T[f i [fZ efab
T`aU] fa Sha[V Vd^f Y fZdagYZ fZWUag` fVfabžEVWgdWS` UZade[fa fZWUag` fVfab S` V
XsefW _ ag` f[Y U[be`aaeWkž@AF7, &adYdS` [fW_ SdT Wadea[V efa` WUag` fVfab ei W
dWa_ _ WV ge[Y WSV S` UZadei Z[UZ SdW`gW fa fZWUag` fVfabž
&ž5VŠ` fZWg` Vde[VWaxfZWUag` fVfab S` V fZWd_ axfZWe[] žGe[Y SYaaV cgS[fk
e[la` WUSg] tSbb`k e[la` WUSg] WWV k Scag` V fZWd_ axfZWe[] ž
' žB'SUWe[] ahVdfZWUag` fVfab abW[YžF[YZfW fZWUdW eg` f[_ ag` f[Y U[beSdW
e` gY SYS[ef e[] ž
(ž5ZWU] S[Y` _ WfaXe[] fa Uag` fVfab abW[Y S` V _ ahWe[YZfk [Xkag ZShWfaž
) žF[YZfW Vai` U[beWVW`ki [fZagf ahVf[YZfW[YžDW_ ahWVUWve[la` Wž

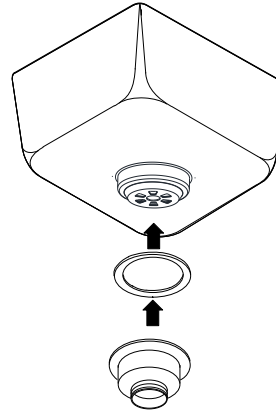


**Installation Shown
In Zero Reveal Mount**

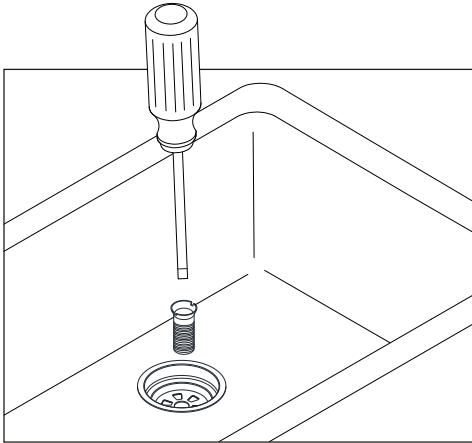
Strainer Installation Guide



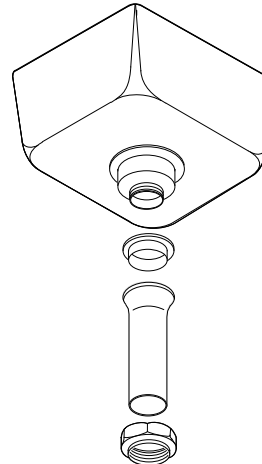
Step1: Taking apart the sink strainer, put the upper strainer body and white gasket into the sink hole



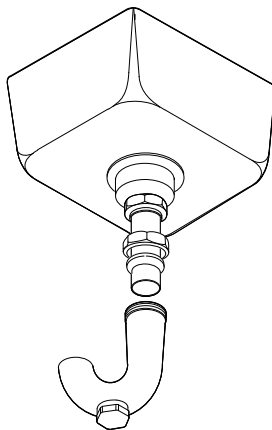
Step2: Put the lower strainer and black gasket connect to the upper part under the sink.



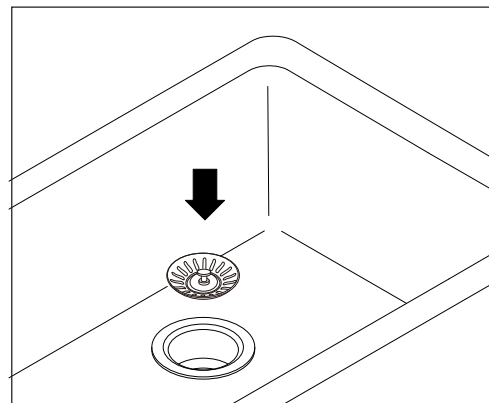
Step3: Fix the upper and lower parts with screws



Step4: Connect the drain tailpiece



Step5: Connect the trap. Run water and check for leaks.



Step6: Insert the basket.

Care and Maintenance

"The Do's"

1. When it comes to maintenance, the best thing you can do is be consistent in your cleaning. It is preferable to clean a little on a frequent basis than a heavy duty cleaning once in a while.
2. You should make sure that the sink is always clean and dry when not in use. This is the best method of preventative maintenance. Keep the sink water spot free and shiny by rinsing and towel drying after every use.
3. Keep the single clog free to prevent standing water which can lead to mineral deposit build up.
4. If a mineral build up should occur, use a mixture of vinegar and hot water to remove the deposit.
5. To clean your sink, use a non abrasive cleaning cloth combined with a mild cleaning procedure.
 - * Use a soft cloth and liquid detergent on a mirror finish deck.
 - * Do Not Use Any Abrasive Materials On Sink Finish
 - * For tougher stains use a mild abrasive cleaner like Ajax or Comet.
6. Wipe the sink dry after cleaning to discourage any water spotting.
7. Follow the direction of the grain when cleaning or scrubbing away stains. Scrubbing against the grain will show as a scratch.

"The Don'ts"

1. Avoid using any abrasive steel wood pads as they will leave an iron residue that will eventually lead to rust and corrosion.
2. Do not leave any steel or cast iron cookware in the sink for a long period of time. This may also leave iron particles that will corrode the sink
3. Do not leave any cleaning materials such as sponges or rags in the sink for an extended period of time.
Anything left in the sink can trap moisture which will eventually lead to staining
4. Avoid using any avrasive cleaning materials such as steel wool pads on the polished finish of the sink, this will lead to scratching.



**PLEASE DO NOT RETURN THIS
PRODUCT TO THE STORE**

Our friendly, specially trained,
technical support team will be
happy to assist you with any concerns
you may have regarding your
ALWEN product.

**Please contact us via
email:
info@Alwenusa.com**