

User Manual

AW2722A1TLBR10

Warranty

This product has been manufactured and inspected to the highest possible quality standards. Our sinks carry a limited 5 years warranty for residential use.

Should you experience any defects in materials or workmanship within the warranty period, we will repair or replace the defective product, subject to the following conditions:

- Any claim made under this warranty must include a copy of a valid proof of purchase showing the date and place of purchase.
- Our obligation under this warranty is to the original purchaser only, and may not be transferred.
- Product replacement does not include shipping costs or labor installation costs.
- This warranty applies to residential installations only.
- We reserve the right to examine product in question and its installation prior to replacement.
- If an identical replacement product is not available, We reserve the right to replace the defective product with a similar product.

This warranty relates to defects in manufacture, materials or workmanship in a stainless steel kitchen sink supplied for installation into domestic premises in the United States. It does not extend to :

- Damage resulting from failure to maintain the product in accordance with the Care and Maintenance instructions in this manual.
- Normal wear and tear, scratches or accidental damage.
- Faults arising from improper use and/or installation.
- Defects in accessories, strainers and rinse grids.

All incidental or consequential damages are specifically excluded. No additional warranties, express or implied are given, including but not limited to, any implied warranty of merchantability or fitness for a particular purpose.

Some states do not allow the exclusion or limitation of incidental or consequential damages or limitations on how long an implied warranty lasts, so the above limitations or exclusions may not apply to you.

This warranty gives you specific legal rights, and you may also have other rights which vary from state to state.

Top Mount Stainless Steel Kitchen Sink Single Bowl

Features

- 16 Gauge stainless steel
- Premium 304 grade stainless steel (18/10 Chromium/Nickel)
- Sandblasted to create Matte PVD finish: Easy to clean, long-lasting and resists fingerprints
- Heavy duty sound guard padding and undercoating
- Slanted bottom with elegant drain grooves for easy draining
- Round corners (R10) for easy cleaning
- Drain placement – Rear



In the Box

- Cut out template
- Sink
- Mounting and installing brackets
- Accessories

Accessories (Included)



Wood cutting board

Roll-up Drying Rack

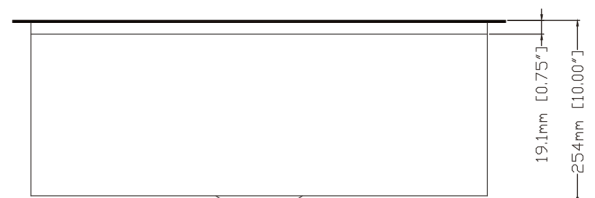
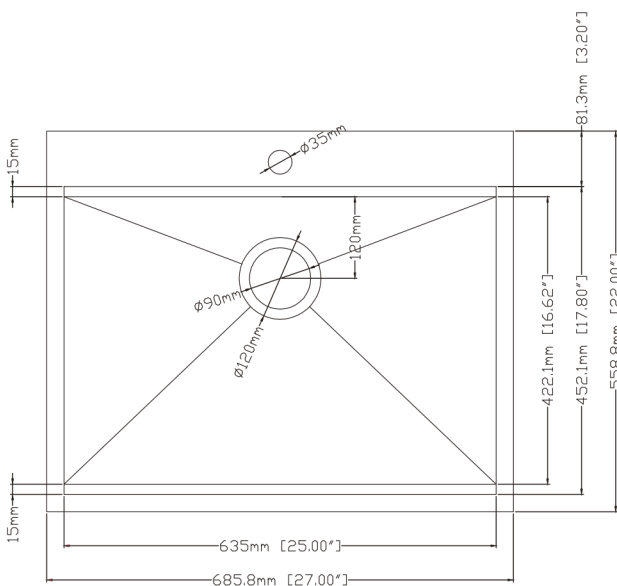
Drying rack

Stainless steel grid

Sink Strainer

Dimensions

Mode	Length	Width	Depth
AW2722A1TLBR10	27"	22"	10"





Attention Installer

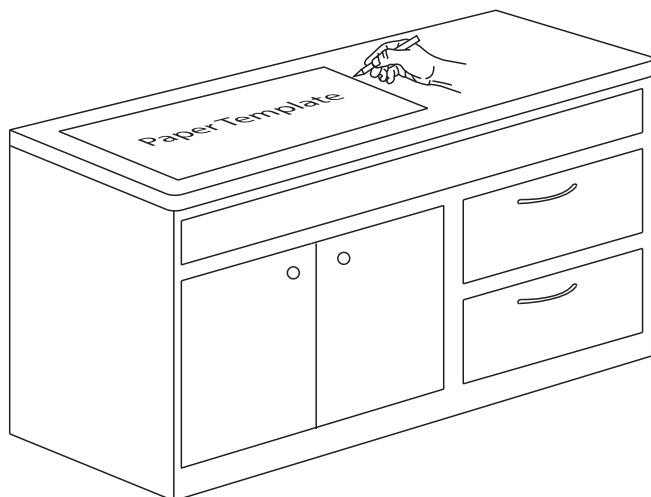
1. Read these instructions carefully before installation. Inspect sink for damages. Do not install if the sink is damaged.
2. HERCATE recommends that installation of top-mount sinks be done by a professional installer.
3. **Sink edges may be sharp and can cause accidental injury to installer if not careful. Wear cut-resistant protective gloves during installation.**
4. Templates are only provided as a guide. Place template on sink to ensure the template will give you the proper cutout for the sink. HERCATE is not responsible for improper sink or countertop installation. **HERCATE is not liable for any damages to sink or countertop or personal injury during installation.**
5. The instructions in this guide are for installation on a wood countertop. For installation on granite, marble or cultured stone countertops ask your fabricator for proper installation instructions. Remind your fabricator to install the sink in a way that it can be removed in the future from the countertop if necessary.
6. Observe all local plumbing and building codes.

Installation

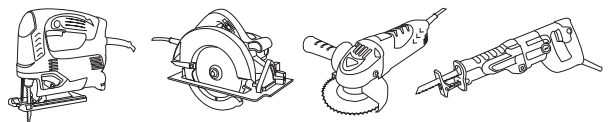
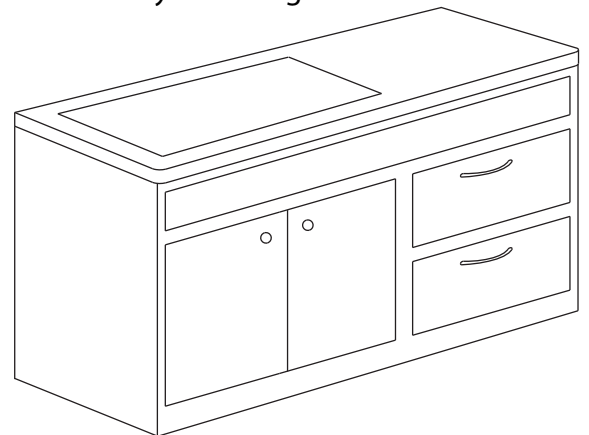
1. Check the cut-out template against the actual sink to ensure a proper sized cut-out.
Place the cut-out template in the desired location on the countertop

NOTE: Make sure clearance is suitable for backsplash, faucet, and plumbing for the sink

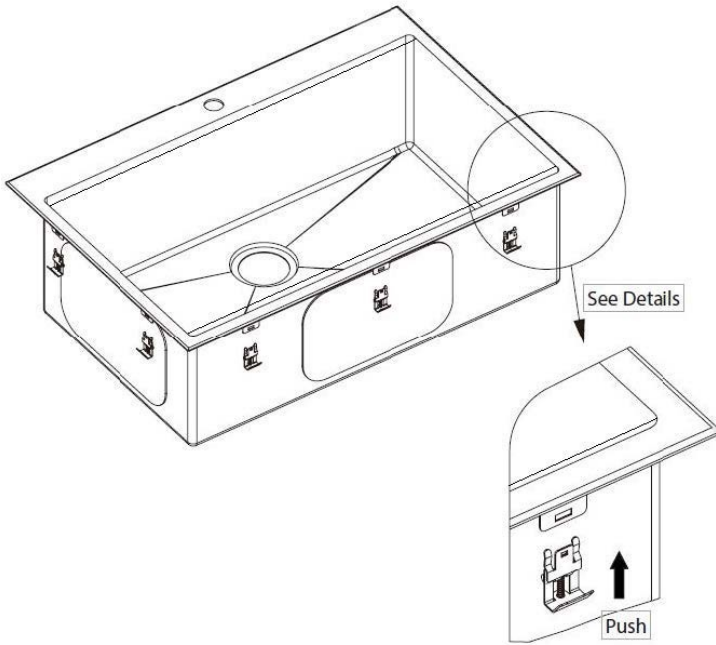
2. Trace template on countertop with a pencil



3. Cut the opening in the countertop by carefully following the traced line



4.



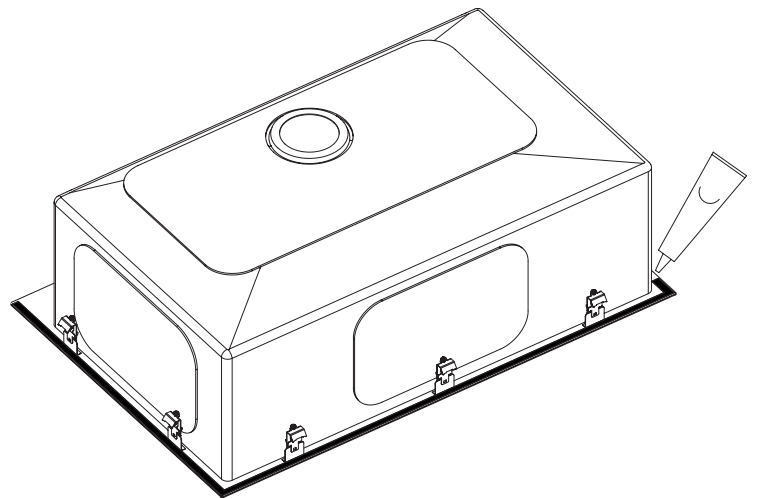
Attach mounting hardware to the prongs protruding from the underside of the sink rim

Make sure the hooked side of the mounting clip is facing away from the sink

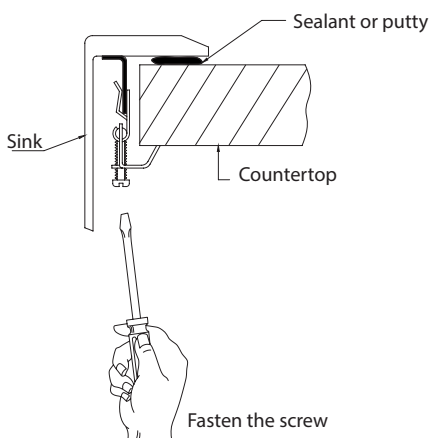
5. Apply Silicone or Plumber's Putty

Clean and dry the surface around the opening of the sink

Turn the unit upside down to apply sealant. Apply silicone-based sealant (not included) underneath the edge of the sink



6.



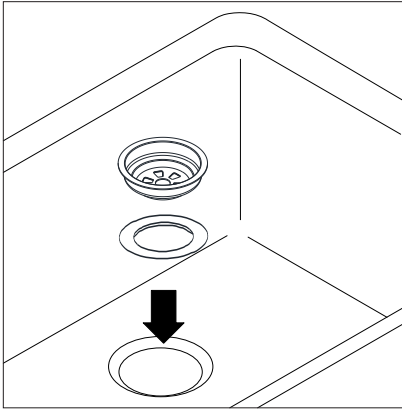
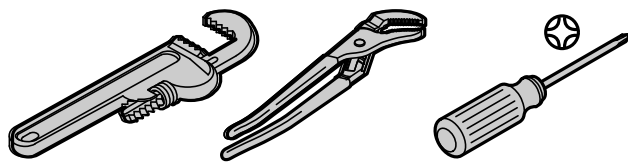
Secure Sink to Countertop

Insert the sink into the opening, check the alignment of the sink to the cutout in the countertop, and press firmly.

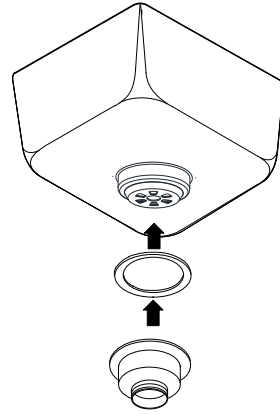
Tighten the screws in the front of the sink, followed by the ones in the back and on the sides of the sink

Remove excess silicone-based sealant
Allow sealant to set for 30-60 minutes

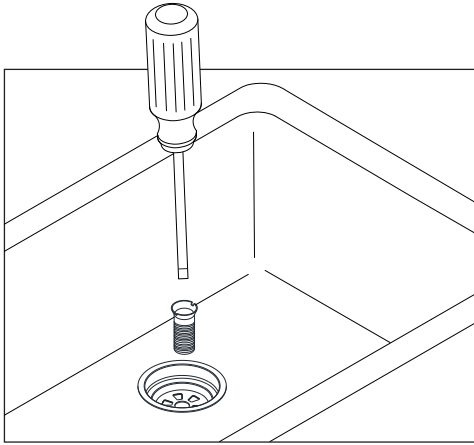
Strainer Installation Guide



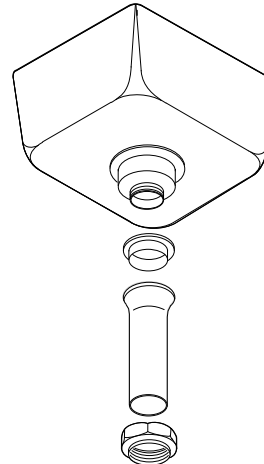
Step1: Taking apart the sink strainer, put the upper strainer body and white gasket into the sink hole



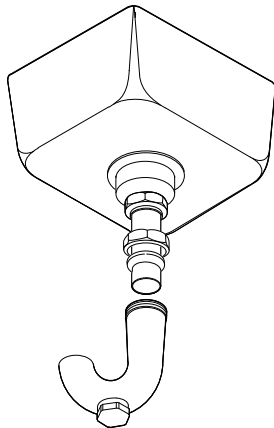
Step2: Put the lower strainer and black gasket connect to the upper part under the sink.



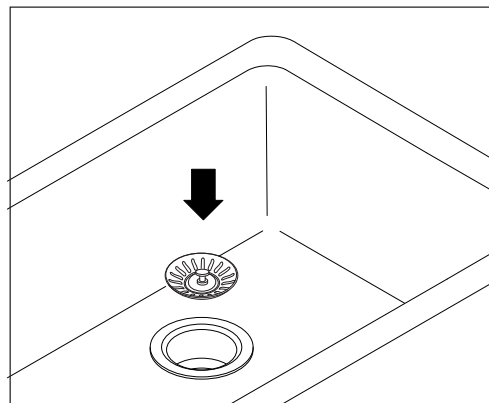
Step3: Fix the upper and lower parts with screws



Step4: Connect the drain tailpiece



Step5: Connect the trap. Run water and check for leaks.



Step6: Insert the basket.

Care and Maintenance

"The Do's"

1. When it comes to maintenance, the best thing you can do is be consistent in your cleaning. It is preferable to clean a little on a frequent basis than a heavy duty cleaning once in a while.
2. You should make sure that the sink is always clean and dry when not in use. This is the best method of preventative maintenance. Keep the sink water spot free and shiny by rinsing and towel drying after every use.
3. Keep the single clog free to prevent standing water which can lead to mineral deposit build up.
4. If a mineral build up should occur, use a mixture of vinegar and hot water to remove the deposit.
5. To clean your sink, use a non abrasive cleaning cloth combined with a mild cleaning procedure.
 - * Use a soft cloth and liquid detergent on a mirror finish deck.
 - * Do Not Use Any Abrasive Materials On Sink Finish
 - * For tougher stains use a mild abrasive cleaner like Ajax or Comet.
6. Wipe the sink dry after cleaning to discourage any water spotting.
7. Follow the direction of the grain when cleaning or scrubbing away stains. Scrubbing against the grain will show as a scratch.

"The Don'ts"

1. Avoid using any abrasive steel wood pads as they will leave an iron residue that will eventually lead to rust and corrosion.
2. Do not leave any steel or cast iron cookware in the sink for a long period of time. This may also leave iron particles that will corrode the sink
3. Do not leave any cleaning materials such as sponges or rags in the sink for an extended period of time.
Anything left in the sink can trap moisture which will eventually lead to staining
4. Avoid using any avrasive cleaning materials such as steel wool pads on the polished finish of the sink, this will lead to scratching.



**PLEASE DO NOT RETURN THIS
PRODUCT TO THE STORE**

Our friendly, specially trained,
technical support team will be happy to
assist you with any concerns you may
have regarding your HERCATE
product.

**Please contact us via
email:
hercate08@outlook.com**