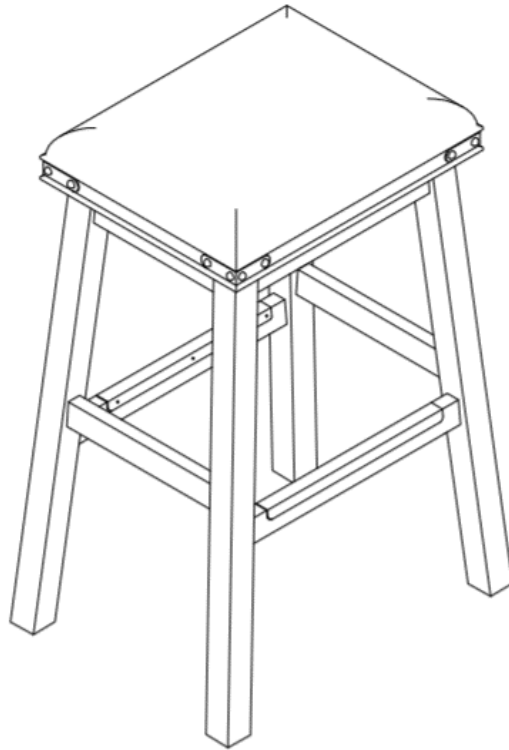




# INDOOR LIVING



## Cortez Stool

Item No. IF-1060, IF-1061, IF-1062, IF-1063, IF-1064,  
IF-1065, IF-1066, IF-1067, IF-1134, IF-1135, IF-1136,  
IF-1137

For assistance with assembly, please contact [DTYStore.com](http://DTYStore.com) Customer Satisfaction Center  
866-217-8155 . [CS@DTYStore.com](mailto:CS@DTYStore.com)

Made in Vietnam

Updated V. 6-2021

**Thank you for your  
DTYStore Purchase!**

We want you to have the best experience possible.

If you have any issues with the assembly,  
quality or performance of your product

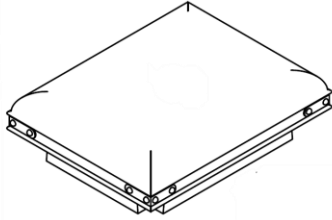


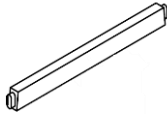

**PLEASE CONTACT OUR CUSTOMER CARE CENTER  
BEFORE YOU RETURN IT.**

Email us at: [CS@DTYStore.com](mailto:CS@DTYStore.com)




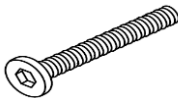

## Pre-Assembly Instructions

- Read all instructions carefully before assembly.
- Find a smooth clean area in which to work to avoid damaging your item.
- Check that all parts and hardware from the lists are present.
- Lay out parts in alphabetical order and hardware in numerical order to make them easier to find when you are ready to assemble
- Wait to dispose of packing material until assembly is complete to avoid accidentally disposing of small parts or hardware
- Tools required: Allen wrench (included) Phillips Screwdriver (not included)
- Please use caution and care when lifting the product to avoid injury
- For ease of assembly two people are recommended

## Parts List:

<p>A. Seat Qty: 1</p> 	<p>B. Left Leg Qty: 2</p> 	<p>C. Right Leg Qty: 2</p> 
<p>D. Side Stretcher Qty: 2</p> 	<p>E. Footrest Qty: 2</p> 	

## Hardware List:

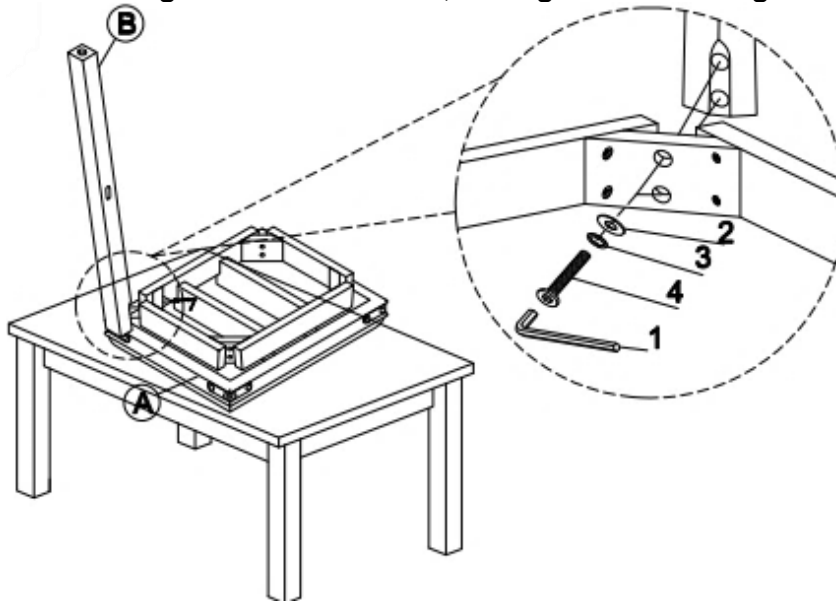
<p>1. Allen Wrench Qty: 1</p>  <p>Size 4mm</p>	<p>2. Flat Washer Qty: 8</p>  <p>Size 6x20mm</p>	<p>3. Spring Washer Qty: 8</p>  <p>Size 6x10mm</p>
<p>4. Bolt Qty: 8</p>  <p>Size 6x60mm</p>	<p>5. Screw Qty: 8</p>  <p>Size 4x45mm</p>	

## Assembly Instructions:

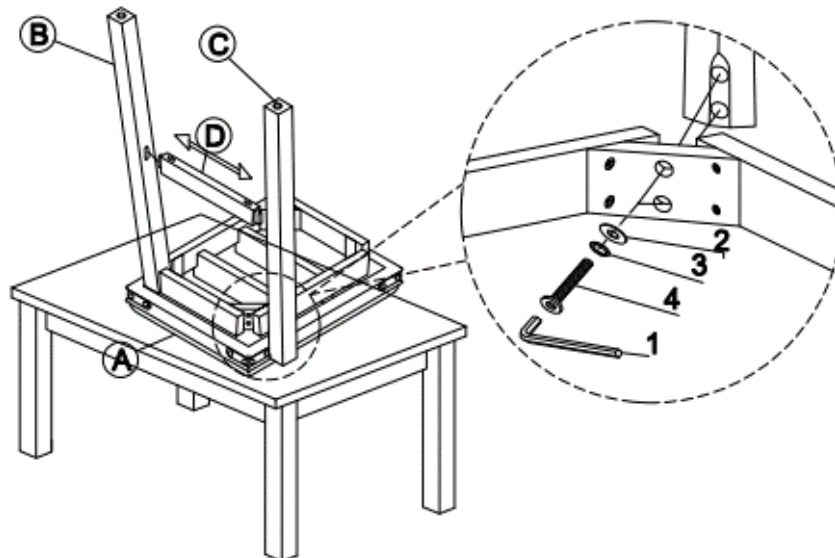
### Step 1

**Wait to fully tighten all hardware until the end of Step 2.**

- A. Place Seat (A) upside down on a soft surface. Use two Bolts (4), two Spring Washers (3), and two Flat Washers (2), to **loosely** attach Left Leg (B) to Seat (A).  
**TIP: Leg should line up perfectly with the apron of the chair, if there are any gaps between the leg and the seat frame, the leg is in the wrong corner**

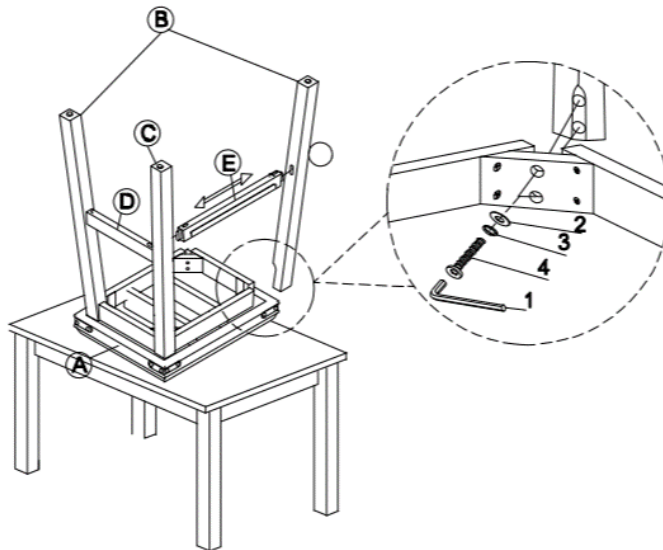


- A. Use two Bolts (4), two Spring Washers (3), and two Flat Washers (2), to **loosely** attach Right Leg (C) to Seat (A).  
B. Place Side Stretcher (D) in the slot on Right Leg (C), and in the slot on Left Leg (B) Be sure the screw slots are facing up.  
C. Tighten the bolts on Right Leg (C) and Left Leg (B)

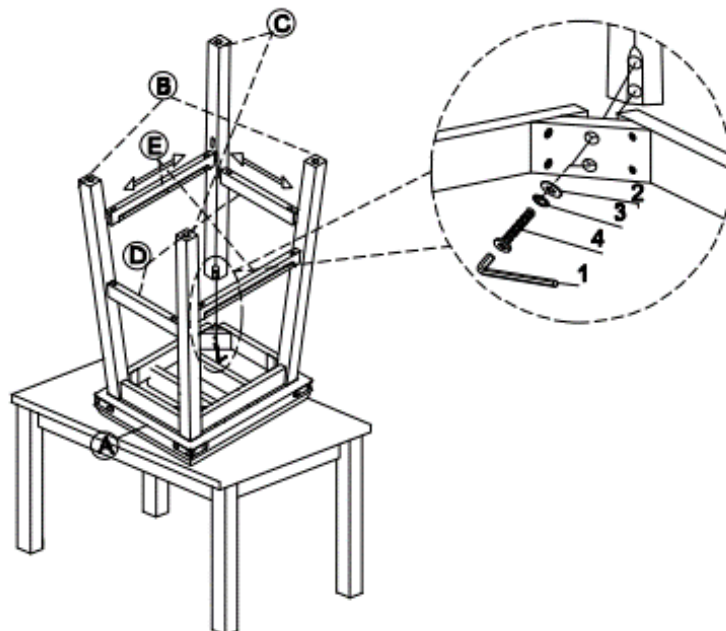


## Step 2

- A. Use two Bolts (4), two Spring Washers (3), and two Flat Washers (2), to **loosely** attach second Left Leg (B) to Seat (A).
- B. Place Footrest (E) in the slot on Right Leg (C), and in the slot on the second Left Leg (B). Be sure the metal footplate faces the seat, and the screw slots face up.
- C. Tighten the bolts on Left Leg (B)

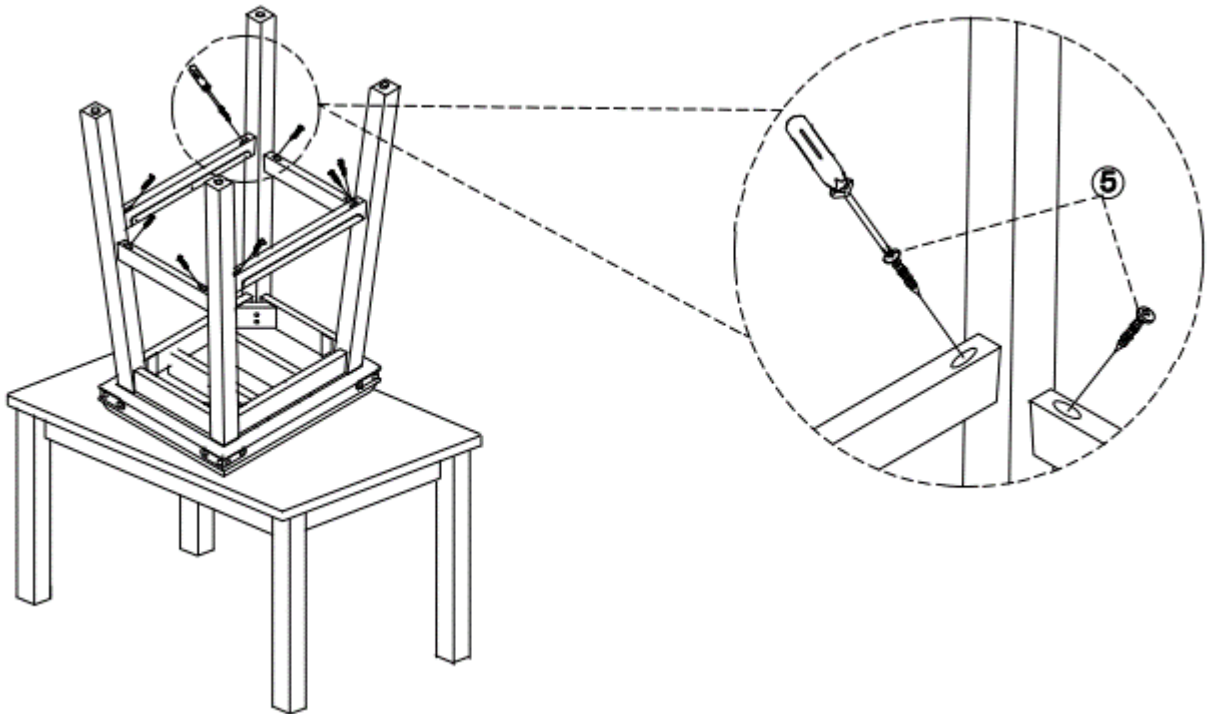


- A. Use two Bolts (4), two Spring Washers (3), and two Flat Washers (2), to **loosely** attach Right Leg (C) to Seat (A).
- B. Place Side Stretcher (D) in the slot on Right Leg (C), and in the slot on second Left Leg (B)
- C. Place Footrest (D) in the slot on Left Leg (B), and in the slot on the Right Leg (C). Be sure the metal footplate faces the seat, and the screw slots face up.
- D. Fully tighten all bolts



### Step 3

- A. Use two Screws (5), to attach Side Stretcher (E) between Right Leg (C) and Left Leg (B)  
**TIP: Press both legs against the Side Stretcher bar, until you get the screws started. Make sure the stretcher bar is flush (no gaps) against the leg, this will also help with stabilization. Tighten the screws fully.**
- B. Use two Screws (5), to attach Footrest (D) between Right Leg (C) and Left Leg (B)  
**TIP: Press both legs against the Side Stretcher bar, until you get the screws started. Make sure the stretcher bar is flush (no gaps) against the leg, this will also help with stabilization. Tighten the screws fully.**
- C. Repeat with remaining side stretcher and footrest.



**Post-Assembly Instructions:**

- Periodically check hardware to be sure they do not loosen over time.
- Do not stand on stool or stretchers.

**Furniture Care Tips**

With proper care your furniture will look beautiful for years to come.

- Avoid placing in direct sunlight to keep from fading and discoloring.
- Do not use soap or abrasive cleaners
- Use a soft damp cloth to remove normal dust and dirt, then dry with a clean cloth until completely dry.
- Clean up spills as soon as they occur by blotting the food or liquid and then by wiping with a damp cloth
- A good quality leather cleaner and conditioner may be used periodically following their instructions.
- Wood furniture should be dusted frequently. Use a lamb's wool duster, microfiber cleaning cloth or cotton cleaning cloth.
- Dusting with a dry cloth can scratch your furniture so lightly spritz your duster with water, a spray duster or wood polish.
- Never spray polish directly on the furniture as it can cause furniture products to buildup.
- Dust in the direction of the grain