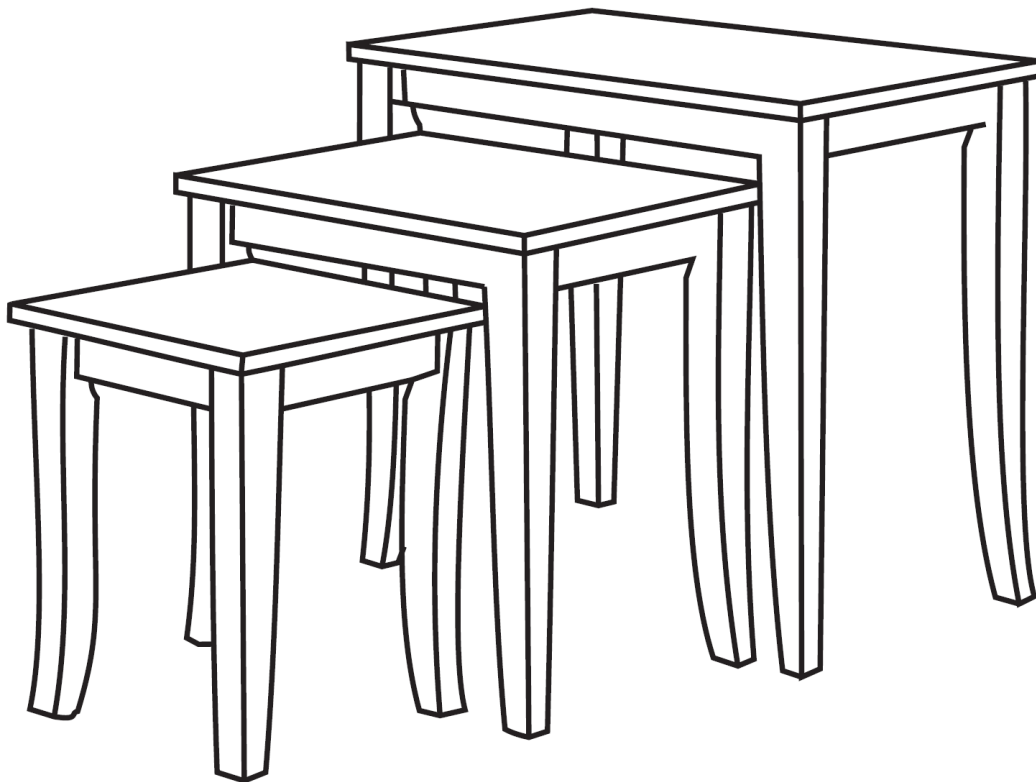




# INDOOR LIVING



## Avon 3-Piece Nesting Tables

Item No. IF-1057, IF-1058, IF-1098

For assistance with assembly, please contact DTYStore.com Customer Satisfaction Center  
866-217-8155 . CS@DTYStore.com

Made in Vietnam

Updated V. 12-2020

**Thank you for your  
DTYStore Purchase!**

We want you to have the best experience possible.

If you have any issues with the assembly,  
quality or performance of your product

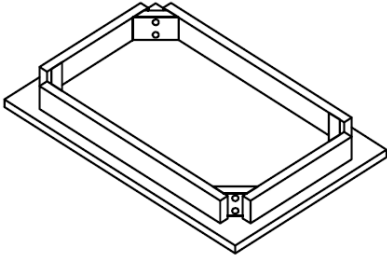
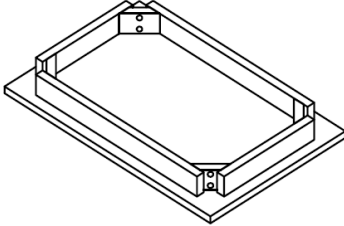
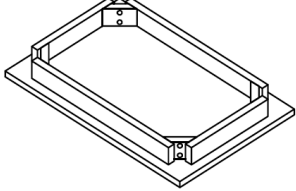



**PLEASE CONTACT OUR CUSTOMER CARE CENTER  
BEFORE YOU RETURN IT.**

Email us at: [CS@DTYStore.com](mailto:CS@DTYStore.com)





## Pre-Assembly Instructions

- Read all instructions carefully before assembly.
- Find a smooth clean area in which to work to avoid damaging your item.
- Check that all parts and hardware from the lists are present.
- Lay out parts in alphabetical order and hardware in numerical order to make them easier to find when you are ready to assemble
- Wait to dispose of packing material until assembly is complete to avoid accidentally disposing of small parts or hardware
- Tools required: Allen wrench (included)
- Please use caution and care when lifting the product to avoid injury
- For ease of assembly two people are recommended

## Parts List:

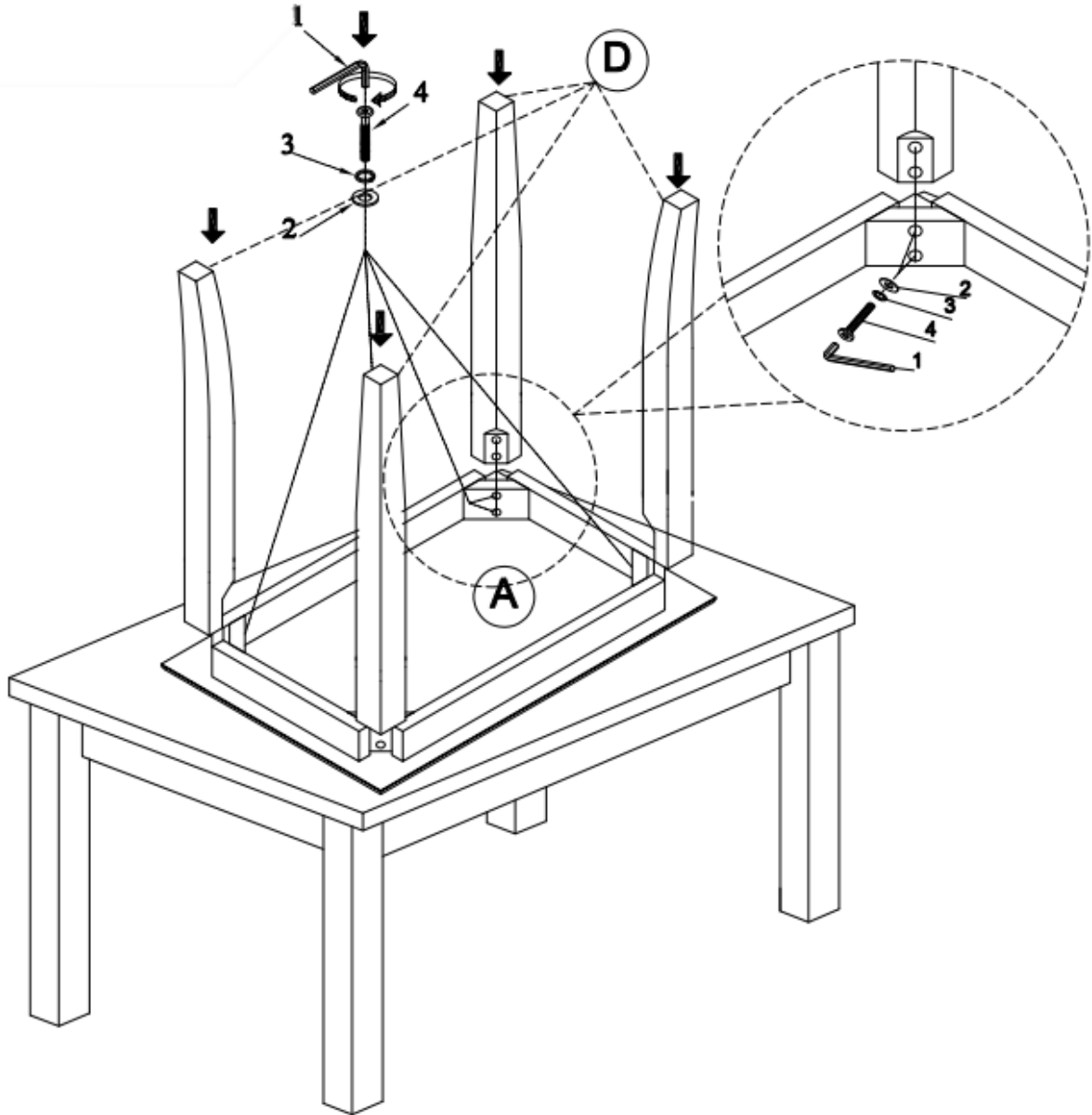
<p>A. Large Table Top Qty: 1</p> 	<p>B. Medium Table Top Qty:1</p> 	<p>C. Small Table Top Qty:1</p> 
<p>D. Long Leg Qty: 4</p> 	<p>E. Medium Leg Qty: 4</p> 	<p>F. Short Leg Qty: 4</p> 

## Hardware List:

<p>1. Allen Wrench Qty: 1</p>  <p>Size 4mm</p>	<p>2. Flat Washer Qty: 24</p>  <p>Size 6x20mm</p>	<p>3. Spring Washer Qty: 24</p>  <p>Size 6x10mm</p>
<p>4. Bolt Qty: 24</p>  <p>Size 6x60mm</p>		

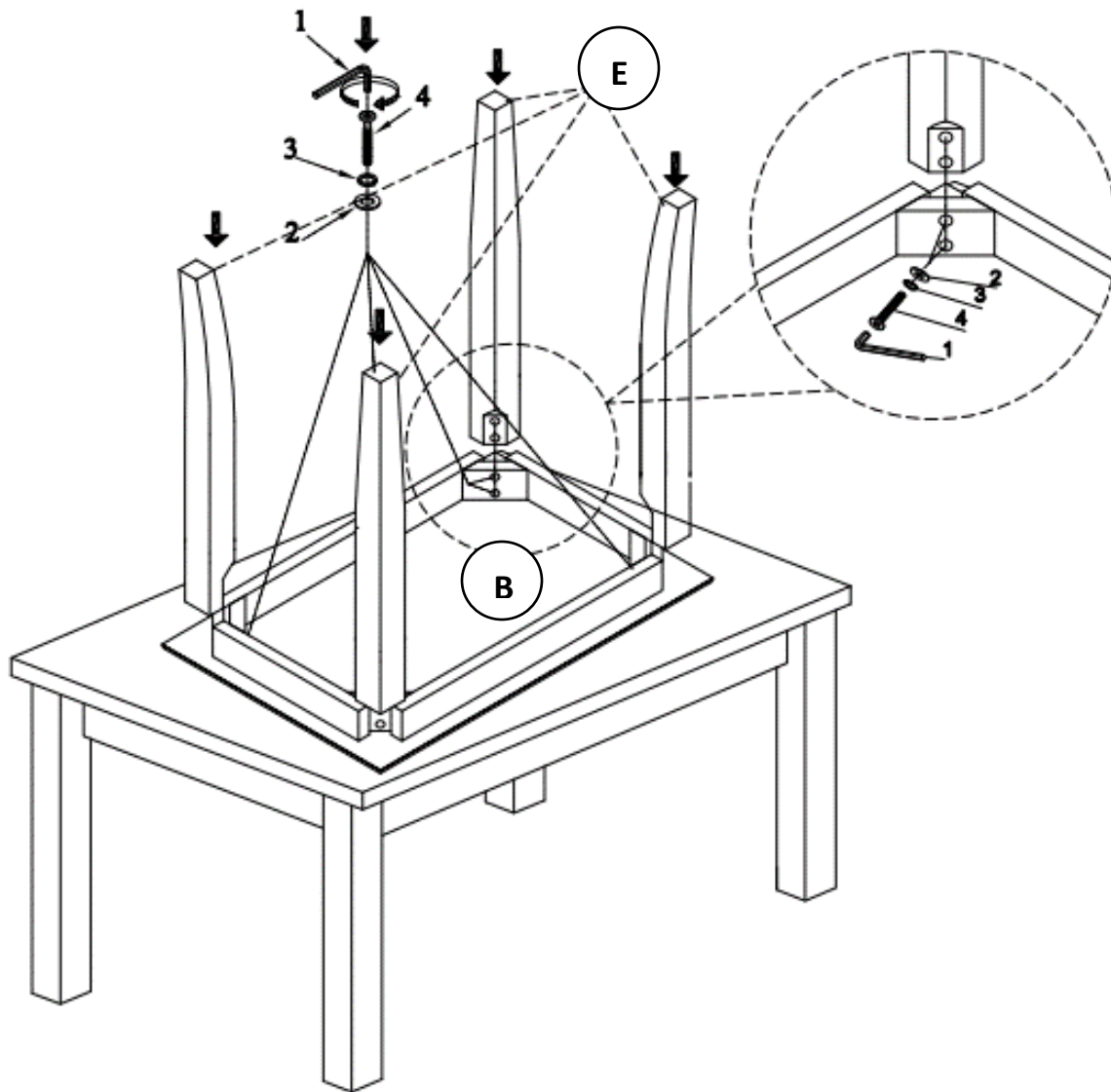
### Step 1

Lay Large Table Top (A) on soft flat surface. Use two Bolts (4), two Spring Washers (3) and two Flat Washers (2) to attach Long Leg (D) to one corner of Large Table Top (A) using the provided Allen Wrench (1). Repeat with remaining Long Legs (D).



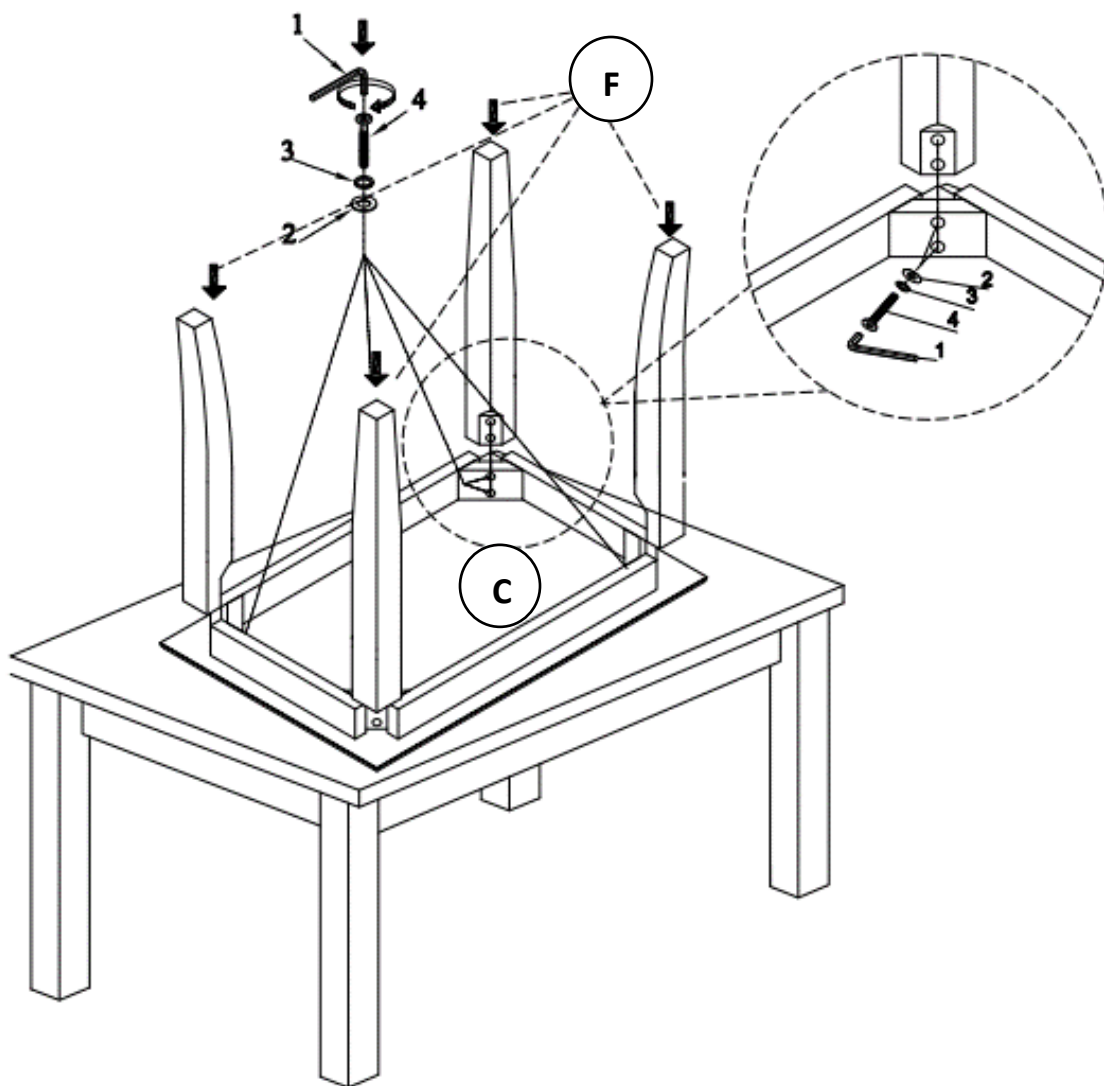
## Step 2

Lay Medium Table Top (B) on soft flat surface. Use two Bolts (4), two Spring Washers (3) and two Flat Washers (2) to attach Medium Leg (E) to one corner of Medium Table Top (B) using the provided Allen Wrench (1). Repeat with remaining Medium Legs (E).



### Step 3

Lay Small Table Top (C) on soft flat surface. Use two Bolts (4), two Spring Washers (3) and two Flat Washers (2) to attach Short Leg (F) to one corner of Small Table Top (C) using the provided Allen Wrench (1). Repeat with remaining Short Legs (F).



**Post-Assembly Instructions:**

- Periodically check hardware to be sure it does not loosen over time.
- Do not stand or sit on tables.

**Furniture Care Tips**

With proper care your furniture will look beautiful for years to come.

- Avoid placing in direct sunlight to keep from fading and discoloring.
- Do not use soap or abrasive cleaners
- Clean up spills as soon as they occur by blotting the food or liquid and then by wiping with a damp cloth
- Use a soft damp cloth to remove normal dust and dirt from the wood,
- Wood furniture should be dusted frequently. Use a lamb's wool duster, microfiber cleaning cloth or cotton cleaning cloth.
- Dusting with a dry cloth can scratch your furniture so lightly spritz your duster with water, a spray duster or wood polish.
- Never spray polish directly on the furniture as it can cause furniture products to buildup.
- Dust in the direction of the grain