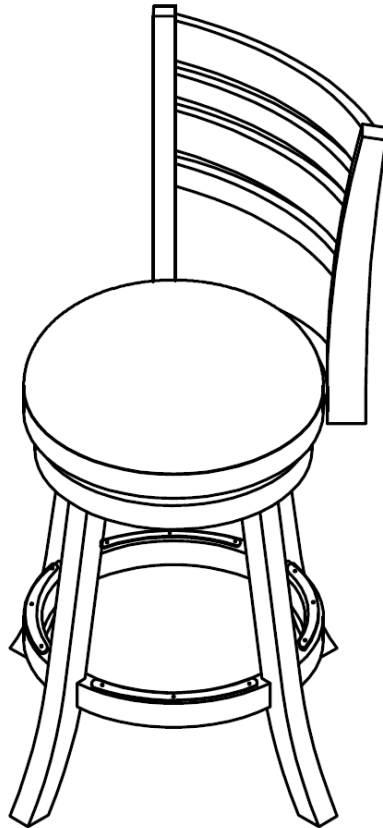




INDOOR LIVING



Granby Swivel Stool

Item No. IF-1086, IF-1087, IF-1088, IF-1089, IF-1090,
IF-1091, IF-1118, IF-1119

For assistance with assembly, please contact DTYStore.com Customer Satisfaction Center
866-217-8155 . CS@DTYStore.com

Made in Vietnam

Updated V. 12-2020

**Thank you for your
DTYStore Purchase!**

We want you to have the best experience possible.

If you have any issues with the assembly,
quality or performance of your product

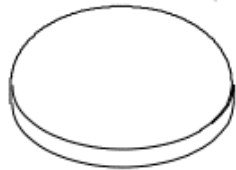

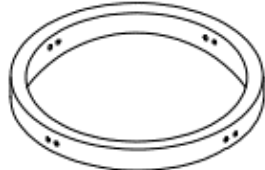
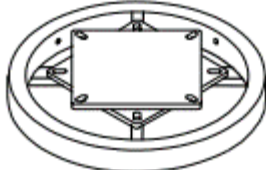
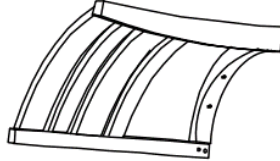
**PLEASE CONTACT OUR CUSTOMER CARE CENTER
BEFORE YOU RETURN IT.**

Email us at: CS@DTYStore.com







Pre-Assembly Instructions

- Read all instructions carefully before assembly.
- Find a smooth clean area in which to work to avoid damaging your item.
- Check that all parts and hardware from the lists are present.
- Lay out parts in alphabetical order and hardware in numerical order to make them easier to find when you are ready to assemble
- Wait to dispose of packing material until assembly is complete to avoid accidentally disposing of small parts or hardware
- Tools required: Allen wrench (included)
- Please use caution and care when lifting the product to avoid injury
- For ease of assembly two people are recommended

Parts List:

<p>A. Seat Qty:1</p> 	<p>B. Leg Qty: 4</p> 	<p>C. Round Stretcher Qty: 1</p> 
<p>D. Round Support Apron Qty: 1</p> 	<p>E. Back Qty:1</p> 	

Hardware List:

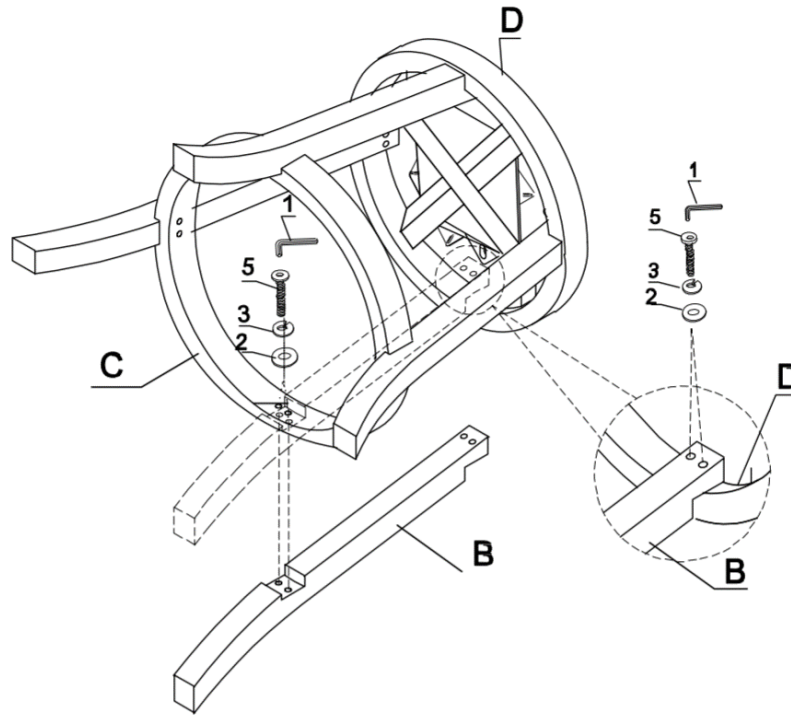
<p>1. Allen Wrench Qty: 1</p>  <p>Size 4mm</p>	<p>2. Flat Washer Qty: 26</p>  <p>Size 6x20mm</p>	<p>3. Spring Washer QTY: 26</p>  <p>Size 6x10mm</p>
<p>4. Bolt Qty: 4</p>  <p>Size 6x25mm</p>	<p>5. Bolt Qty: 18</p>  <p>Size 6x40mm</p>	<p>6. Bolt Qty: 4</p>  <p>Size 6x50mm</p>

Assembly Instructions:

Step 1

Wait to fully tighten all leg hardware until the end of Step 1.

- A. Use eight Bolts (5), eight Spring Washers (3), and eight Flat Washers (2), to **loosely** attach the Round Support Apron (D) to the top of the Legs (B).
- B. Place Round Stretcher (C) in the grooves in the center of the Legs (B)
TIP: Keeping the bolts loose in Step 1A will make it easier for the Round stretcher to slide into position
- C. Use eight Bolts (5), eight Spring Washers (3), and eight Flat Washers (2), to loosely attach the center of the Legs (B) to Round Stretcher (C) be sure metal foot plates are facing the bottom of the round support apron (D).
TIP: Fully tighten all leg hardware on the Round Support Apron (D) first then fully tighten all leg hardware on the Round Stretcher (C).

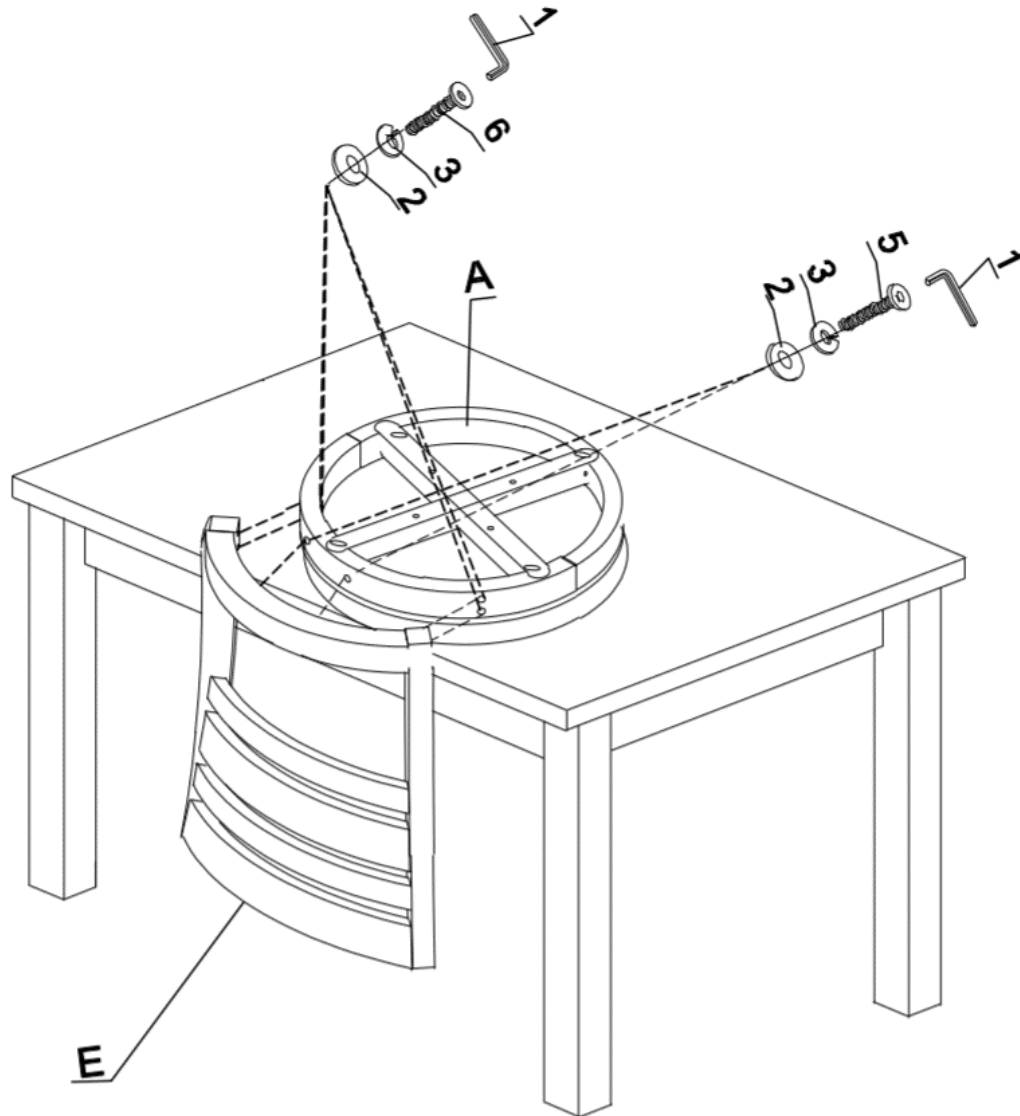


Step 2

- A. Place Seat (A) upside down on the edge of a table. Hang Back (E) from edge of table and use one Bolt (5) one Spring Washer (3), and one Flat Washer (2), to attach middle of Seat (A) to Back (E).

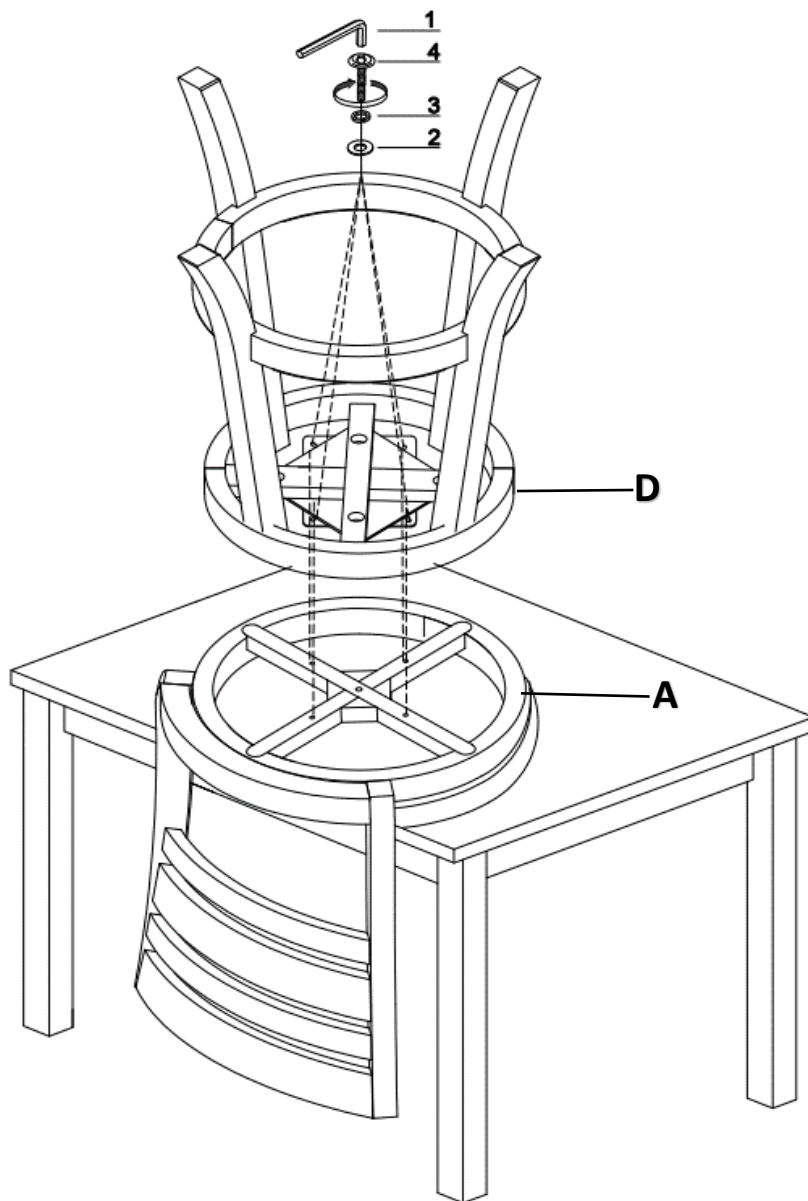
TIP: Once middle bolt is attached outside holes will line up.

- B. Use four Bolts (6) four Spring Washers (3), and four Flat Washers (2), to attach outside holes of Seat (A) to Back (E). Tighten all seat hardware.



Step 3

With Seat and Back upside down on a table, use four Bolts (4) four Spring Washers (3), and four Flat Washers (2), to attach Seat (A) to Round Support Apron (D) through the metal plate. Do not tighten bolts fully until all four bolts are lined up.



Post-Assembly Instructions:

- Periodically check bolts to be sure they do not loosen over time.
- Do not stand on stool or round stretcher.

Furniture Care Tips

With proper care your furniture will look beautiful for years to come.

Wood Furniture Tips

- Avoid placing in direct sunlight to keep from fading and discoloring.
- Do not use soap or abrasive cleaners
- Clean up spills as soon as they occur by blotting the food or liquid and then by wiping with a damp cloth
- Vacuum seat cushions periodically to remove dust and dirt
- Use a soft damp cloth to remove normal dust and dirt from the wood,
- Wood furniture should be dusted frequently. Use a lamb's wool duster, microfiber cleaning cloth or cotton cleaning cloth.
- Dusting with a dry cloth can scratch your furniture so lightly spritz your duster with water, a spray duster or wood polish.
- Never spray polish directly on the furniture as it can cause furniture products to buildup.
- Dust in the direction of the grain

Bonded Leather Tips

With proper care your bonded leather furniture will look beautiful for years to come.

- Avoid placing in direct sunlight to keep from fading and discoloring.
- Never use harsh or alcohol-based cleaners.
- Use a soft damp cloth to remove normal dust and dirt and wipe up spills as soon as they occur.
- A good quality leather conditioner may be used periodically following manufacturer's instructions.