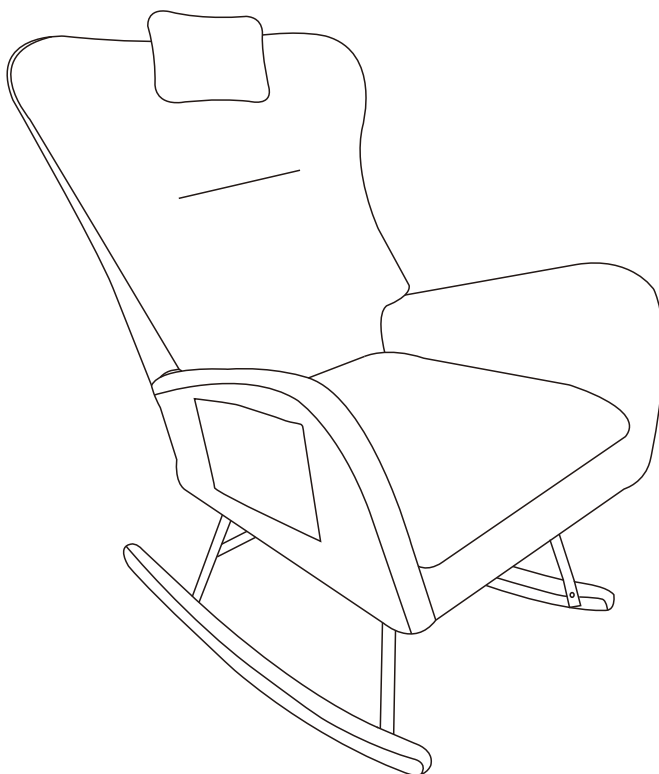
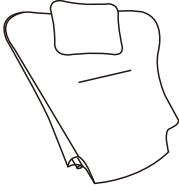
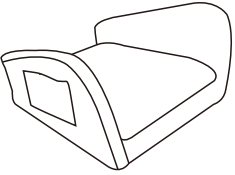
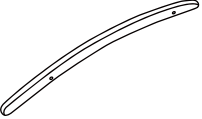
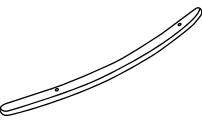
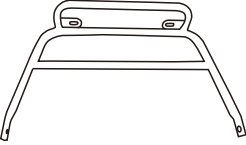
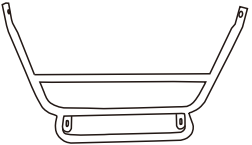



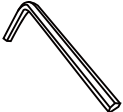


stylor rocking chair



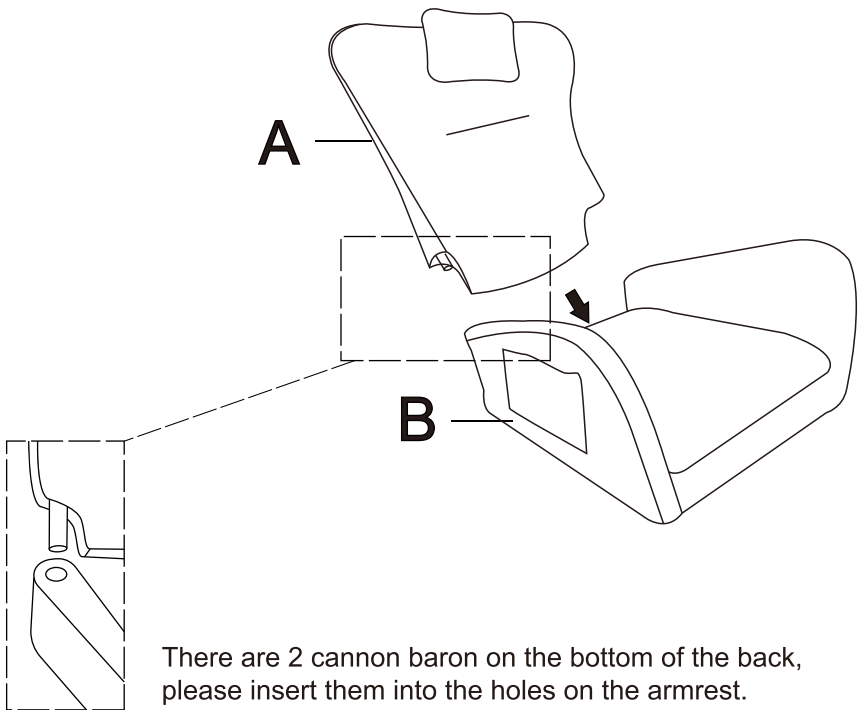
<p>A</p>  <p>x 1</p>	<p>B</p>  <p>x 1</p>	<p>C</p>  <p>x 1</p>
<p>D</p>  <p>x 1</p>	<p>E</p>  <p>x 1</p>	<p>F</p>  <p>x 1</p>
<p>G</p>  <p>x 2</p>	<p>H M6*20</p>  <p>x 8</p>	<p>I M6*60</p>  <p>x 2</p>
<p>J</p>  <p>x 1</p>		

Attention :

1.screws should be only 50% tight.

2.after all the screws adjust the holes then tight screws 100% totally.

1



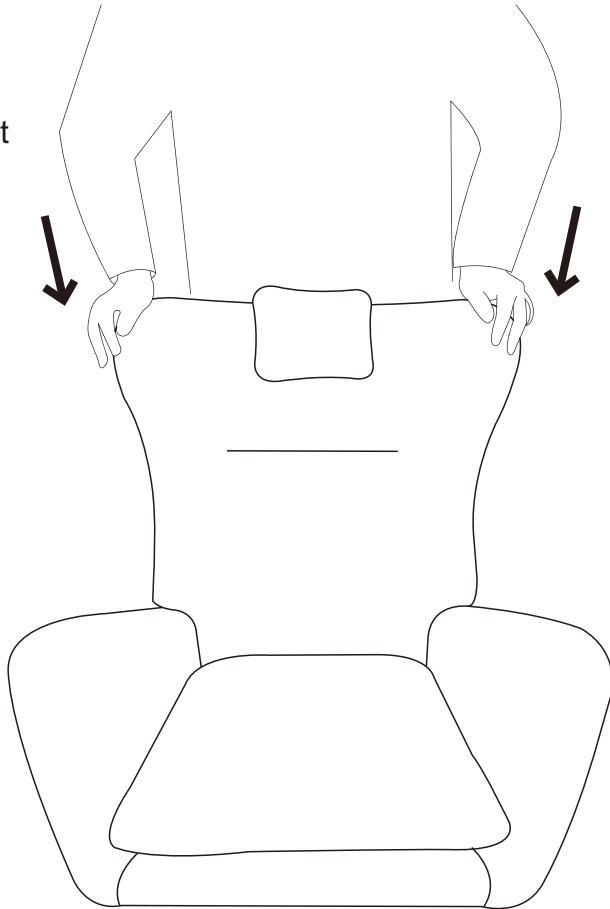
Attention :

1.screws should be only 50% tight.

2.after all the screws adjust the holes then tight screws 100% totally.

2

Hold the backrest
and press down



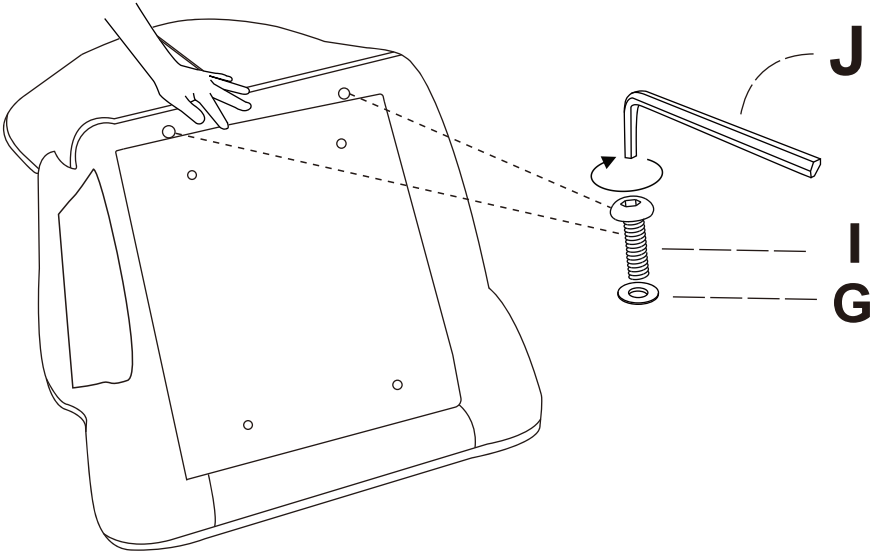
Attention :

1.screws should be only 50% tight.

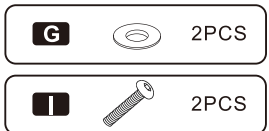
2.after all the screws adjust the holes then tight screws 100% totally.

3

Make sure the back and the bottom tight fit, then drew the screws in, then tighten.



X2

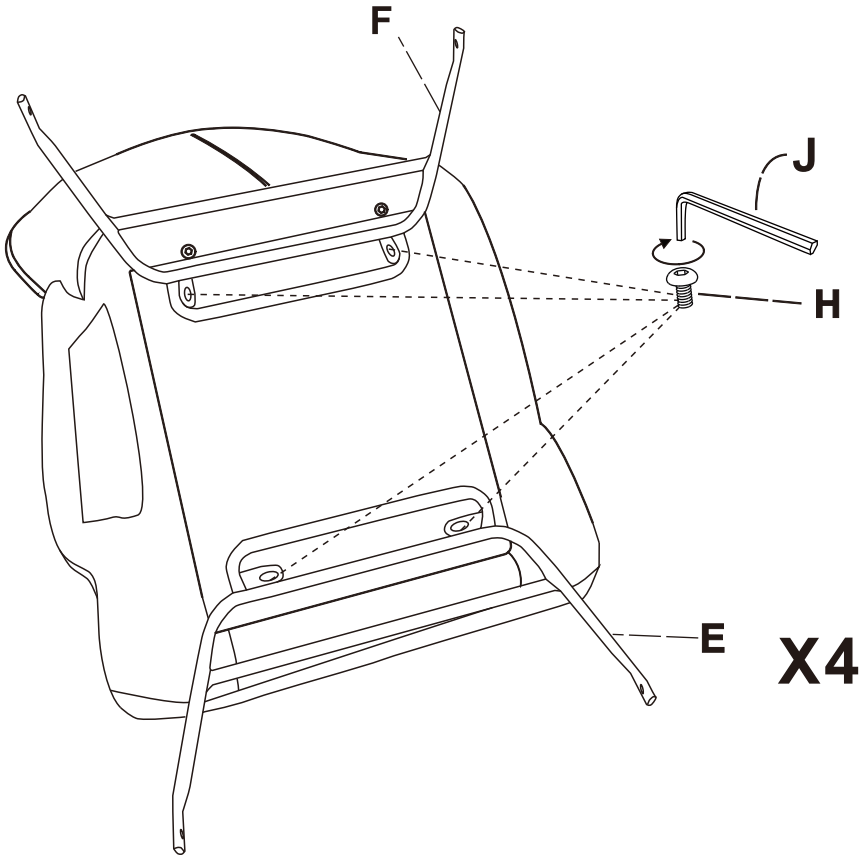


Attention :

1.screws should be only 50% tight.

2.after all the screws adjust the holes then tight screws 100% totally.

4



H



4 PCS

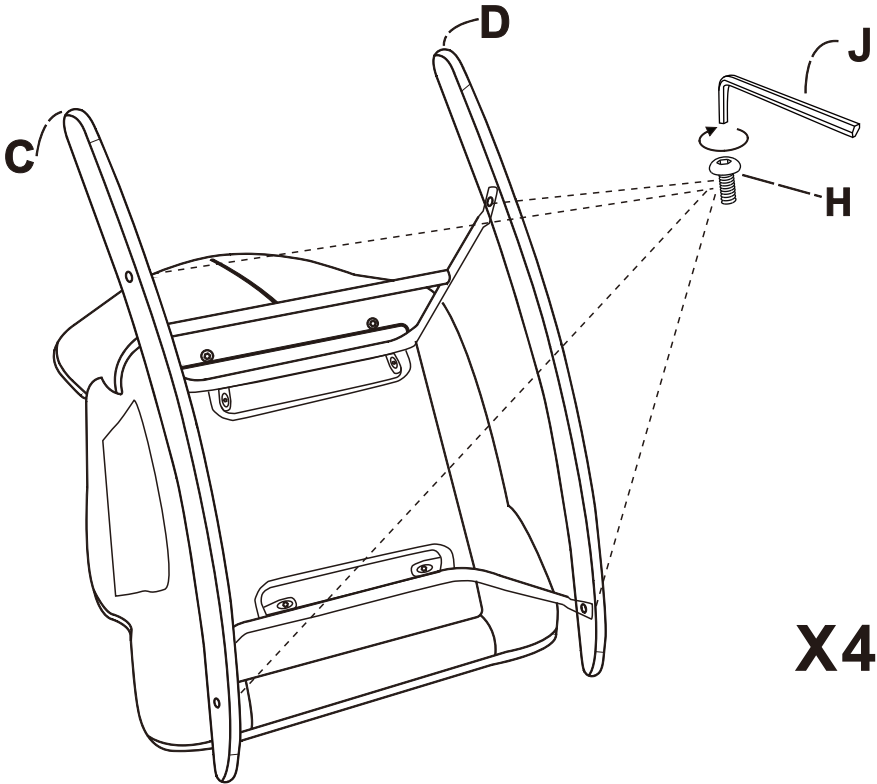
Attention :

1.screws should be only 50% tight.

2.after all the screws adjust the holes then tight screws 100% totally.

5

Make sure the longer side of C and D is facing the back of the chair.



X4

H



4PCS