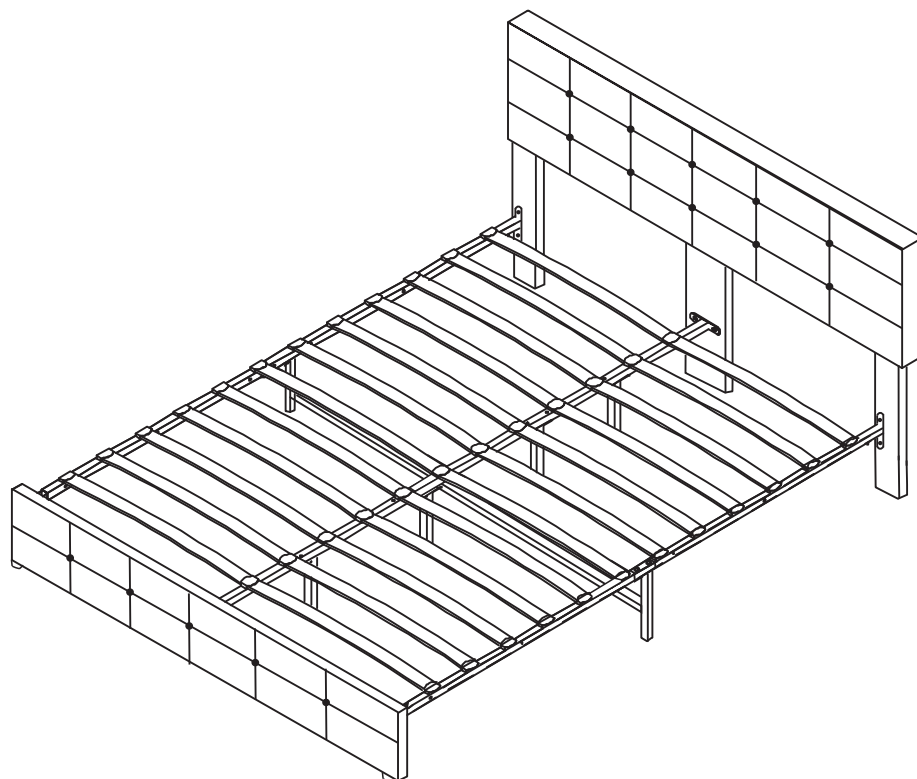


ASSEMBLY INSTRUCTION



IMPORTANT

PLEASE READ BEFORE YOU CONTINUE FURTHER

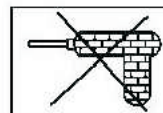
THE PRODUCT YOU HAVE PURCHASED WILL GIVE YOU MANY YEARS OF SERVICE IF YOU FOLLOW THE GUIDELINES FOR ITS SAFE ASSEMBLY AND PERIODIC MAINTENANCE AND CLEANING.

DO NOT FOR ANY REASON USE A POWER TOOL TO ASSEMBLE THIS PRODUCT .ITS USE WILL INVALIDATE ANY CLAIM YOU MAY HAVE AND COULD MAKE THIS PRODUCT UNSAFE .





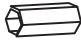






DEPENDING ON THE AMOUNT OF USE THIS PRODUCT RECEIVES IT MAY BE NECESSARY TO TIGHTEN UP THE FIXNGS FROM TIME TO TIME .THIS IS COMPLETELY NORMAL FOR ANY FLAT PACK FURNITURE

FOR CLEANING USE A DAMP CLOTH (NOT WET),DRY DUSTER AND NORMAL FURNITURE POLISH.

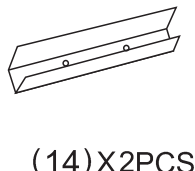
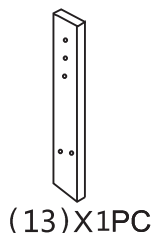
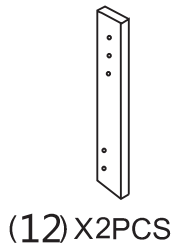
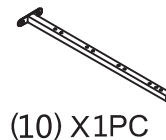
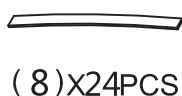
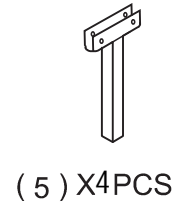
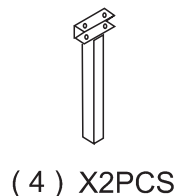
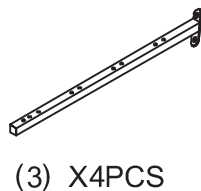
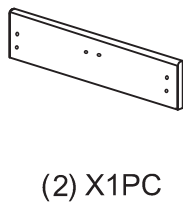
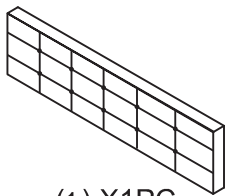
USE OF POWER TOOLS TO ASSEMBLE THIS PRODUCT WILL INVALIDATE ANY CLAIM AND MAY DAMAGE THIS PRODUCT MAKING IT UNSAFE.



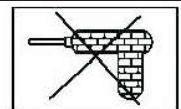
HARDWARE LIST

REF		HARDWARE NAME	QTY
A		M8* 20 BOLT	10 PCS
B		M8* 40 BOLT	15 PCS
C		FLAT WASHER	15PCS
D		M8 NUT	6 PCS
E		M8OPEN SPANNER	1PC
F		ALLEN KEY	1PC
G		M6*50 BOLT	12 PCS
H		M6 NUT	12PCS
I		4*25	2 PCS
J			1PC
K		M6 OPEN SPANNER	1PC

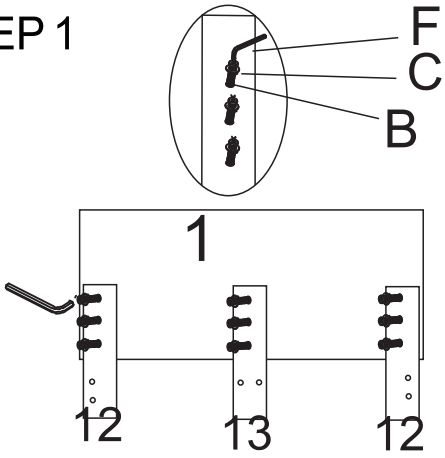
PART LIST



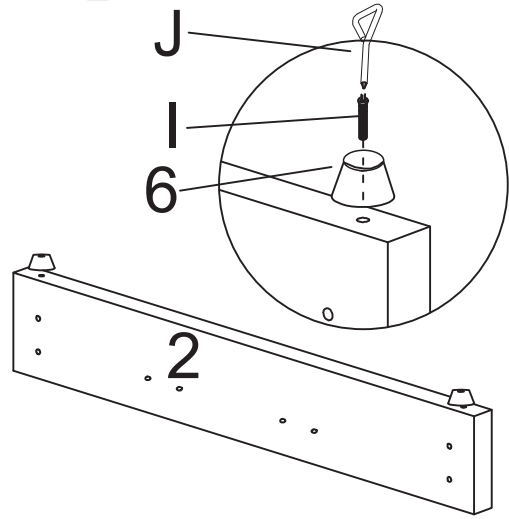
USE OF POWER TOOLS TO ASSEMBLE THIS PRODUCT WILL INVALIDATE ANY CLAIM AND MAY DAMAGE THIS PRODUCT MAKING IT UNSAFE.



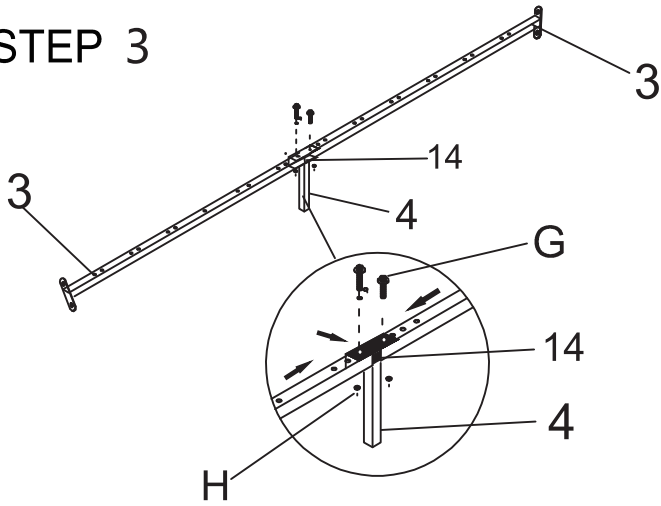
STEP 1



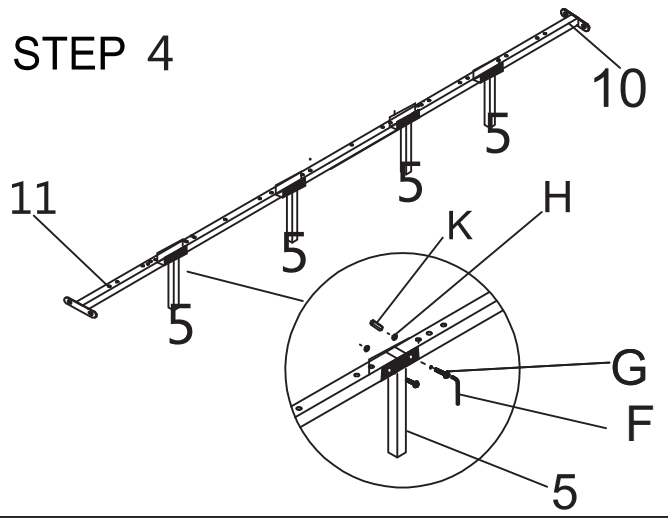
STEP 2



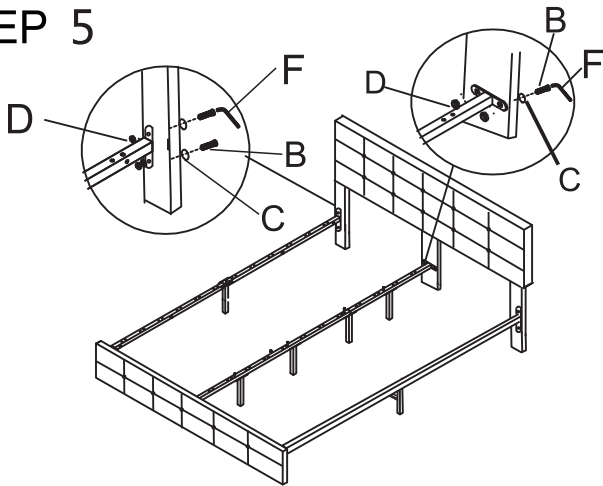
STEP 3



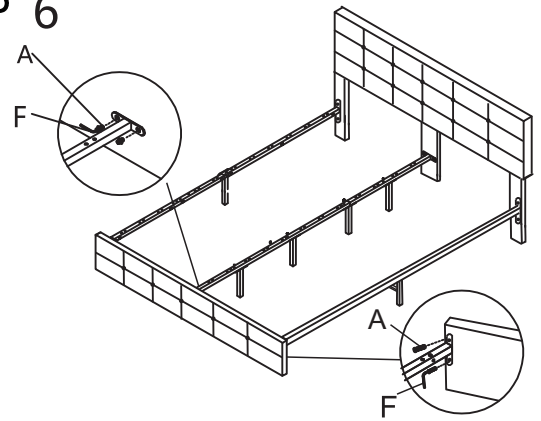
STEP 4



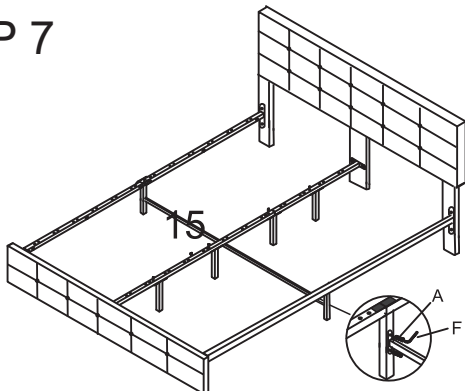
STEP 5



STEP 6



STEP 7



STEP 8

