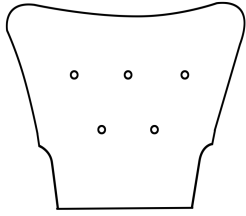
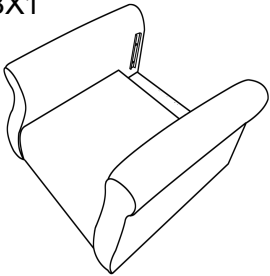

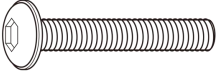
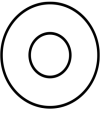
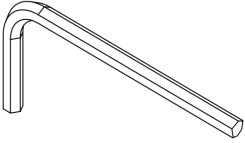
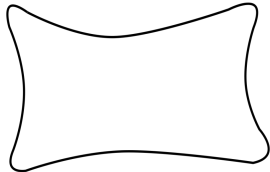


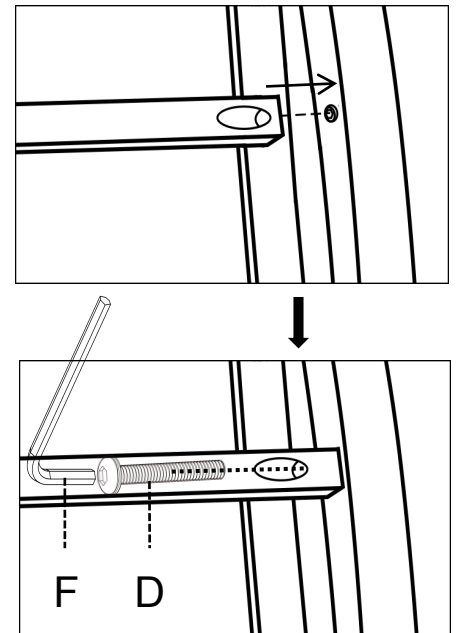
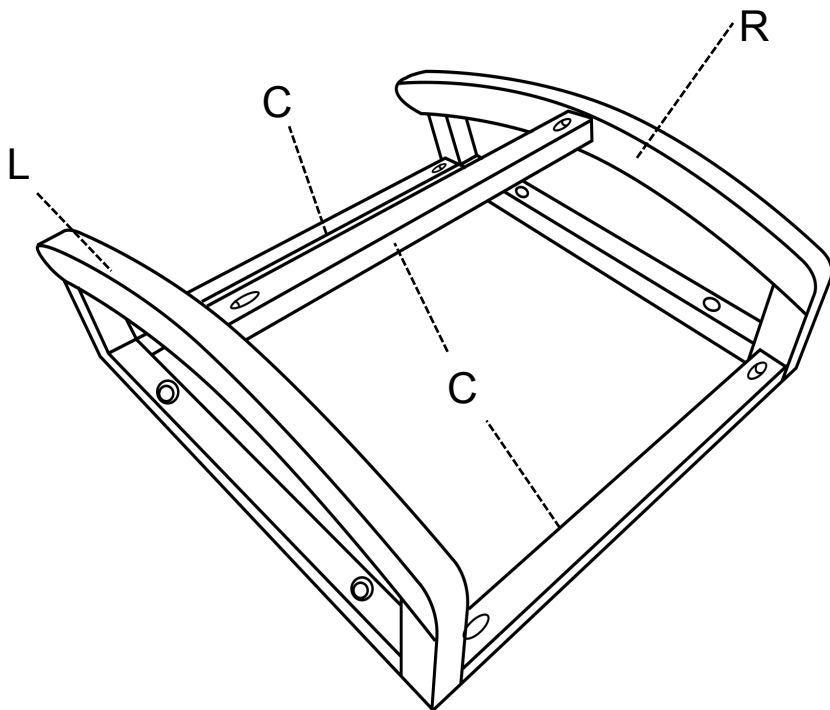
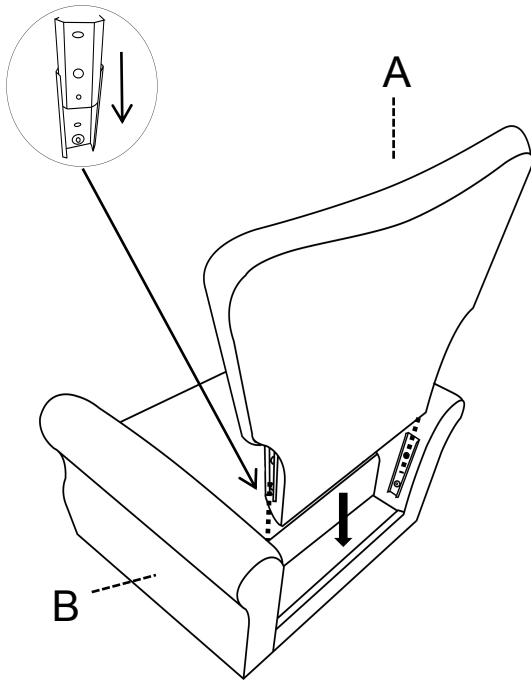


ASSEMBLY INSTRUCTION

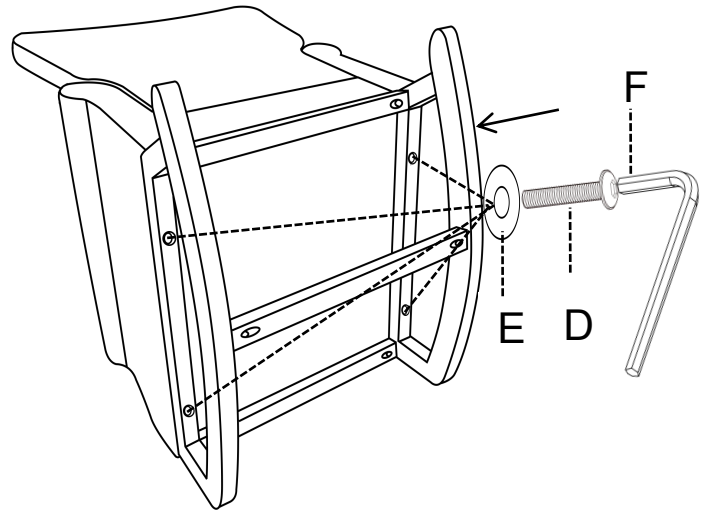
AX1 	BX1 	CX3 	DX10  M6X40mm	EX4 
FX1  M5 Allen Wrench	GX1 	LX1 	RX1 	



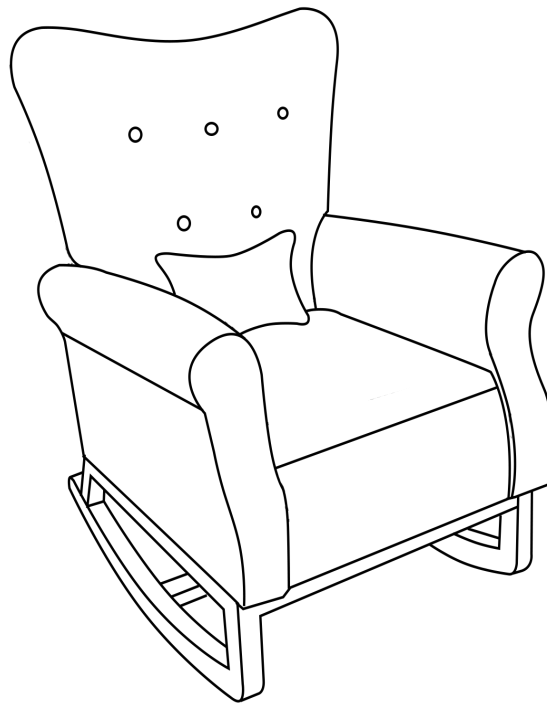
1. Attach Front Foot Rail (Part C), Middle Foot Rail (Part C) and Back Foot Rail (Part C) to Left Rocking Foot (Part L) and Right Rocking Foot (Part R) using (6) M6 x 40 mm Bolts (Part D). Tighten with the M5 Allen Wrench (F).



2. Attach the Seat Back(A) to the Seat Base(B) until the Seat Back does not shake.



3. Attach the assembly from step 1 to the Seat Base using (4) M6x40mm Bolts (Part D) and (4) Φ 18mm Washers (Part E), tighten with the M5 Allen Wrench(F).



4. FINISH!

ATTENTION:

1. Please check the manual carefully and make sure you have received all the parts.
2. If there is any missing, please let us know the letters of the parts you need.
3. If there is any damage, please send clear photos to us, we will check and offer you the best solution soon.