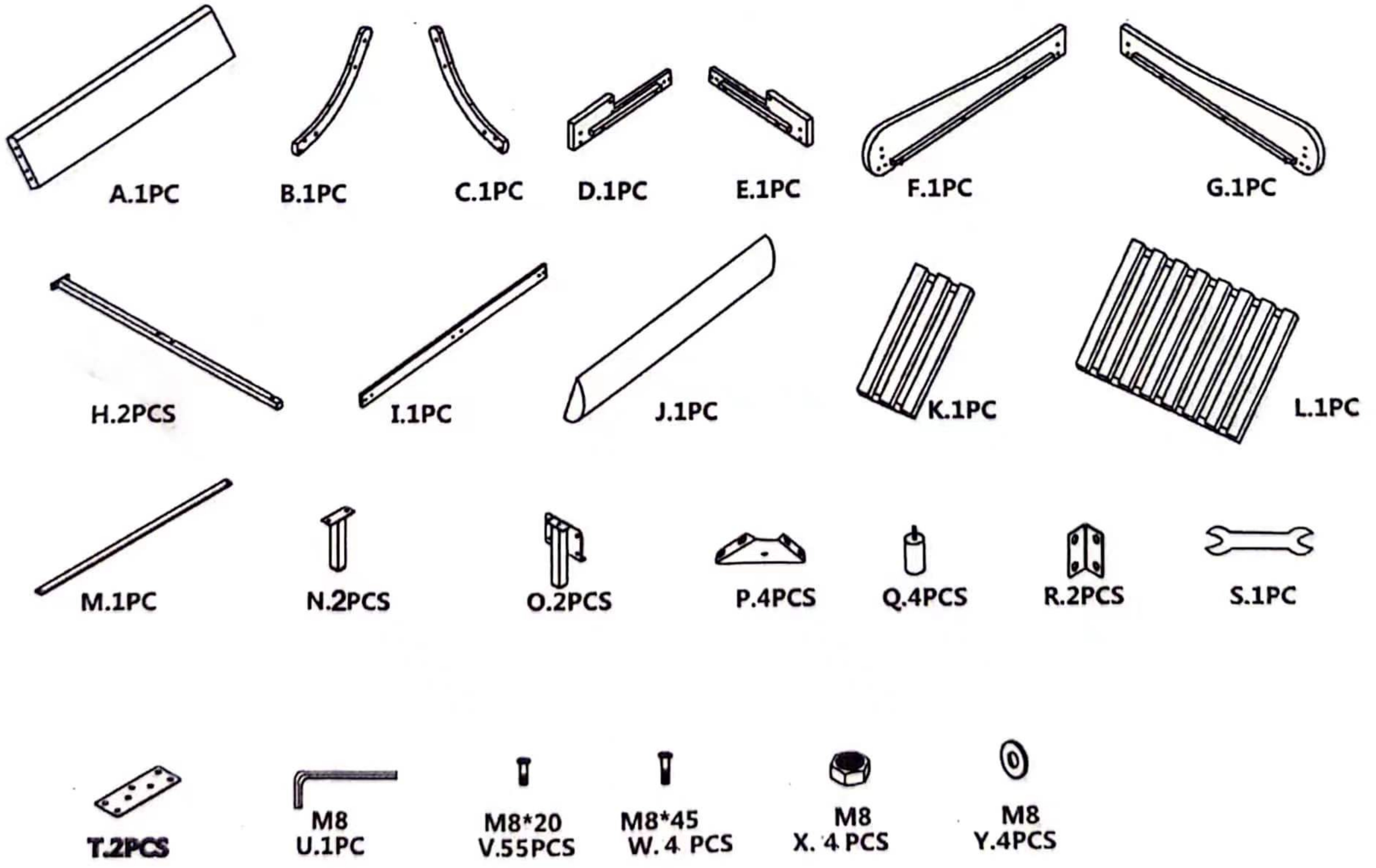
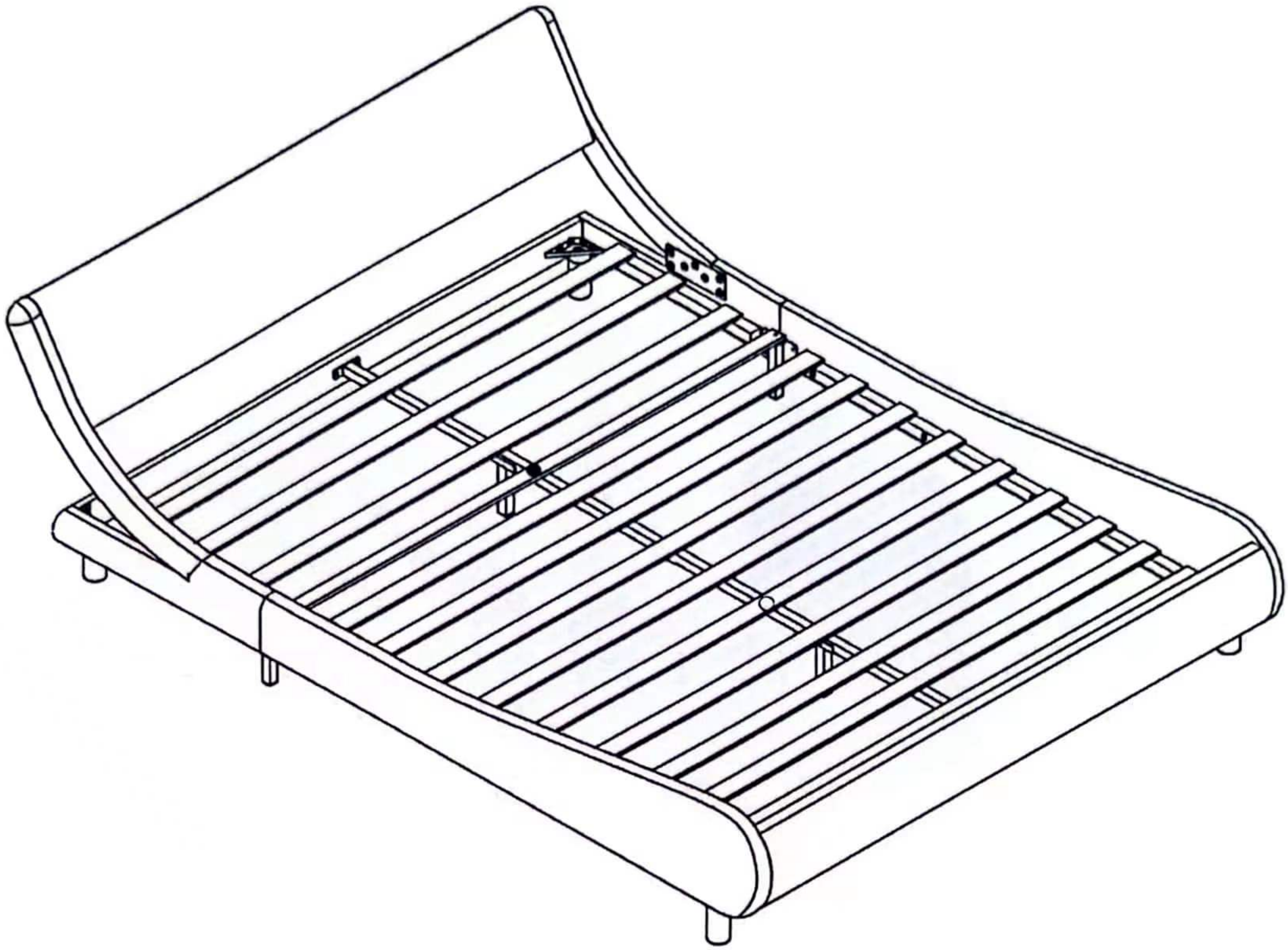
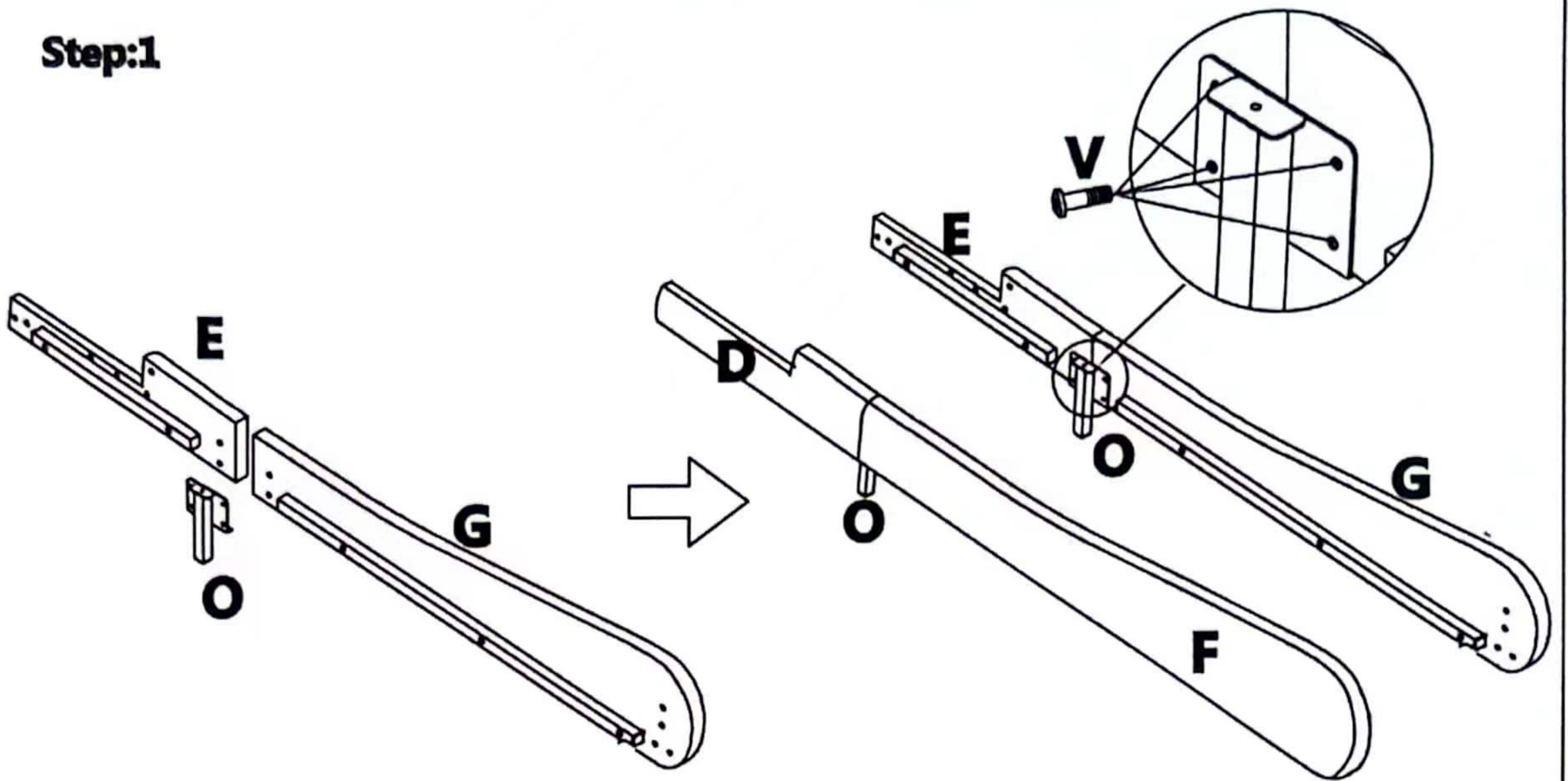


Assembly Instruction

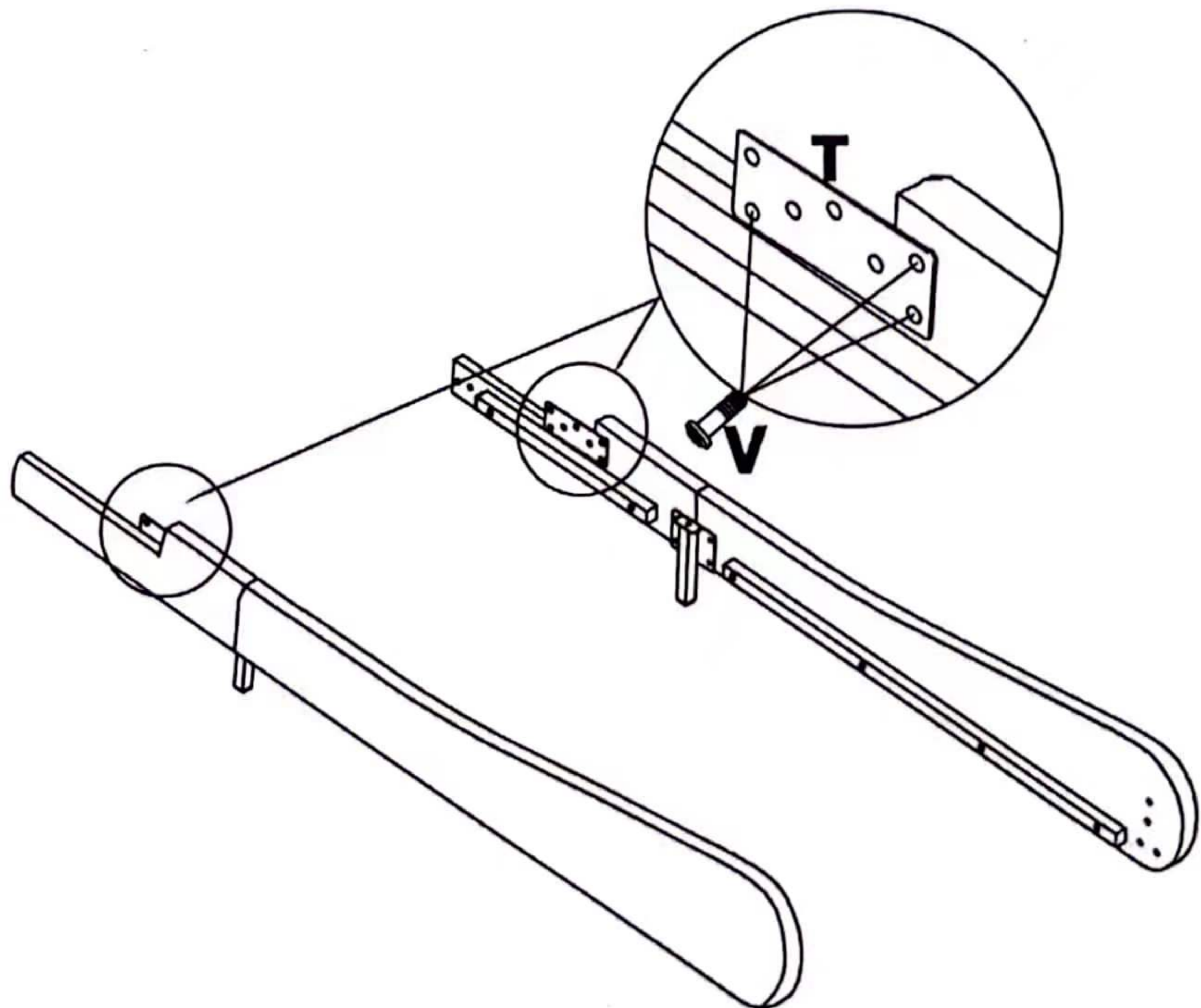


Assembly Instruction

Step:1

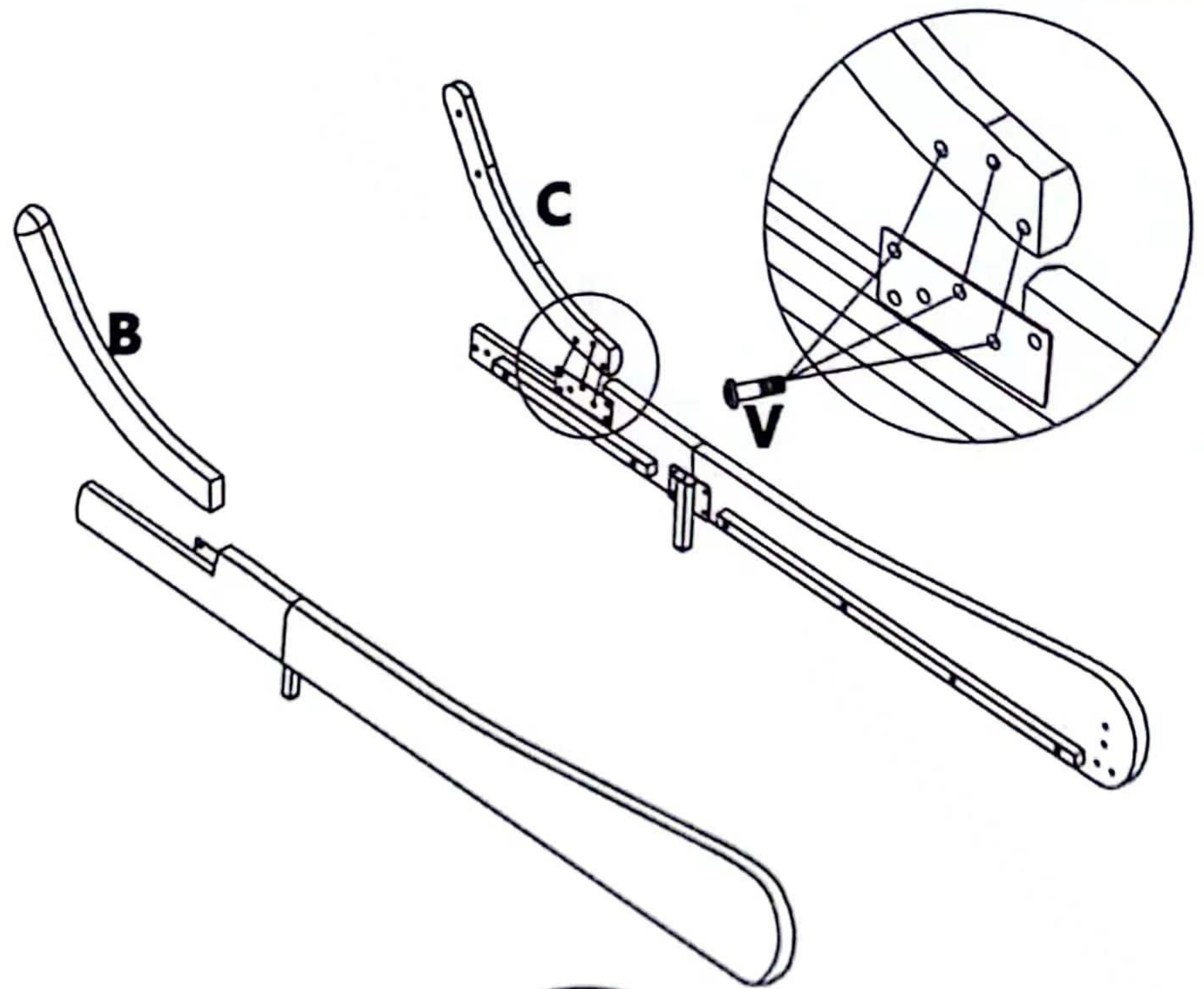


Step:2

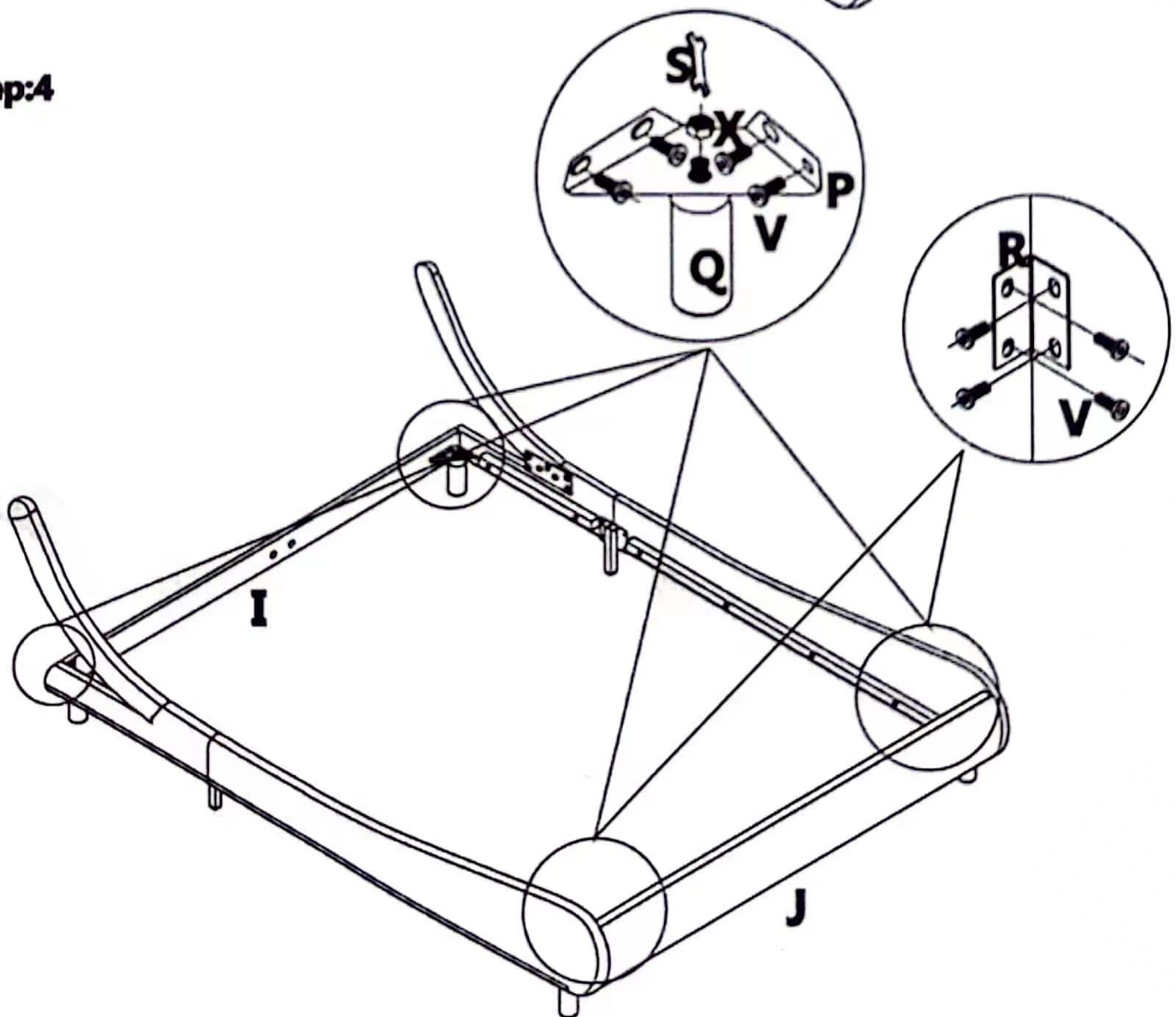


Assembly Instruction

Step:3

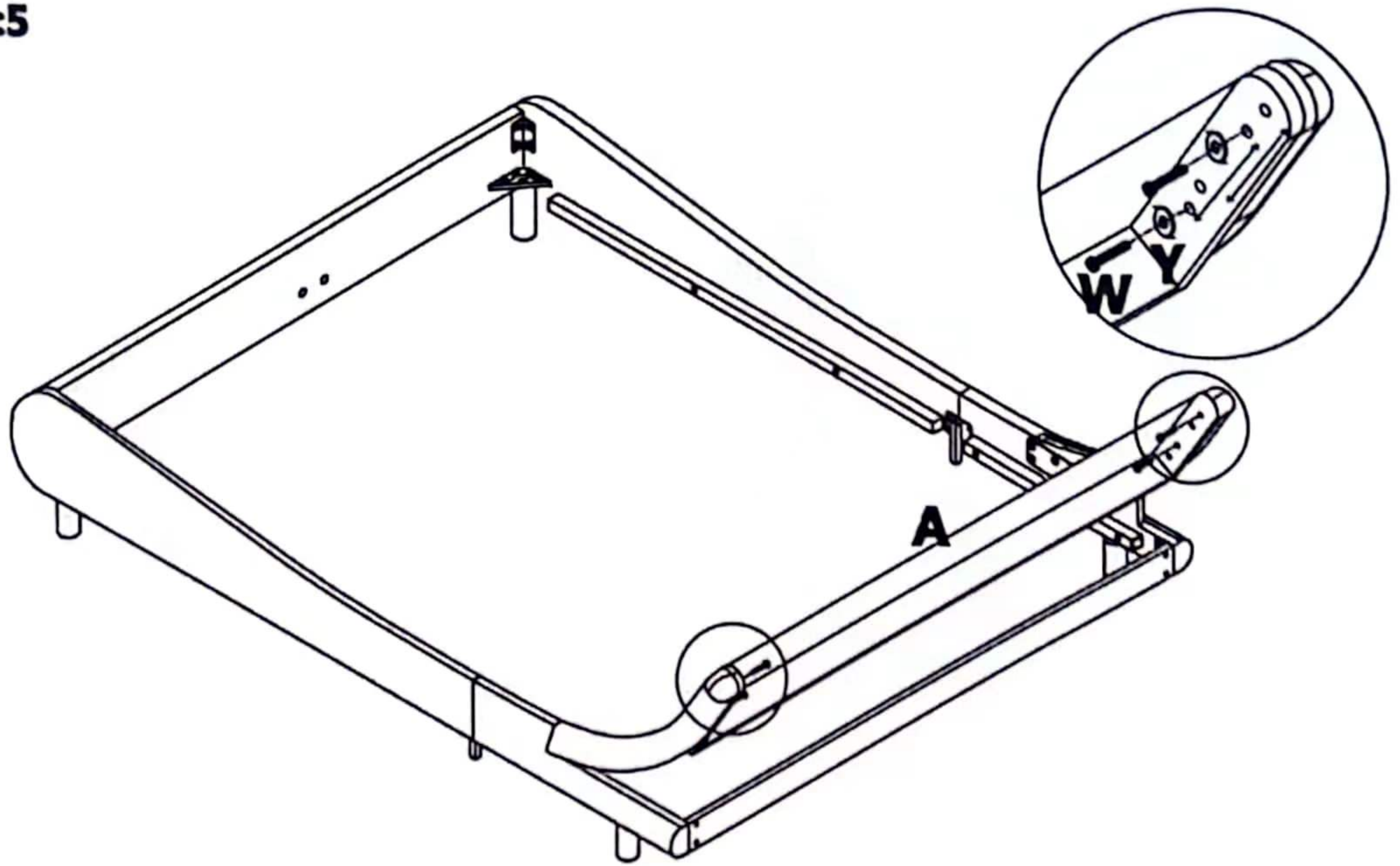


Step:4

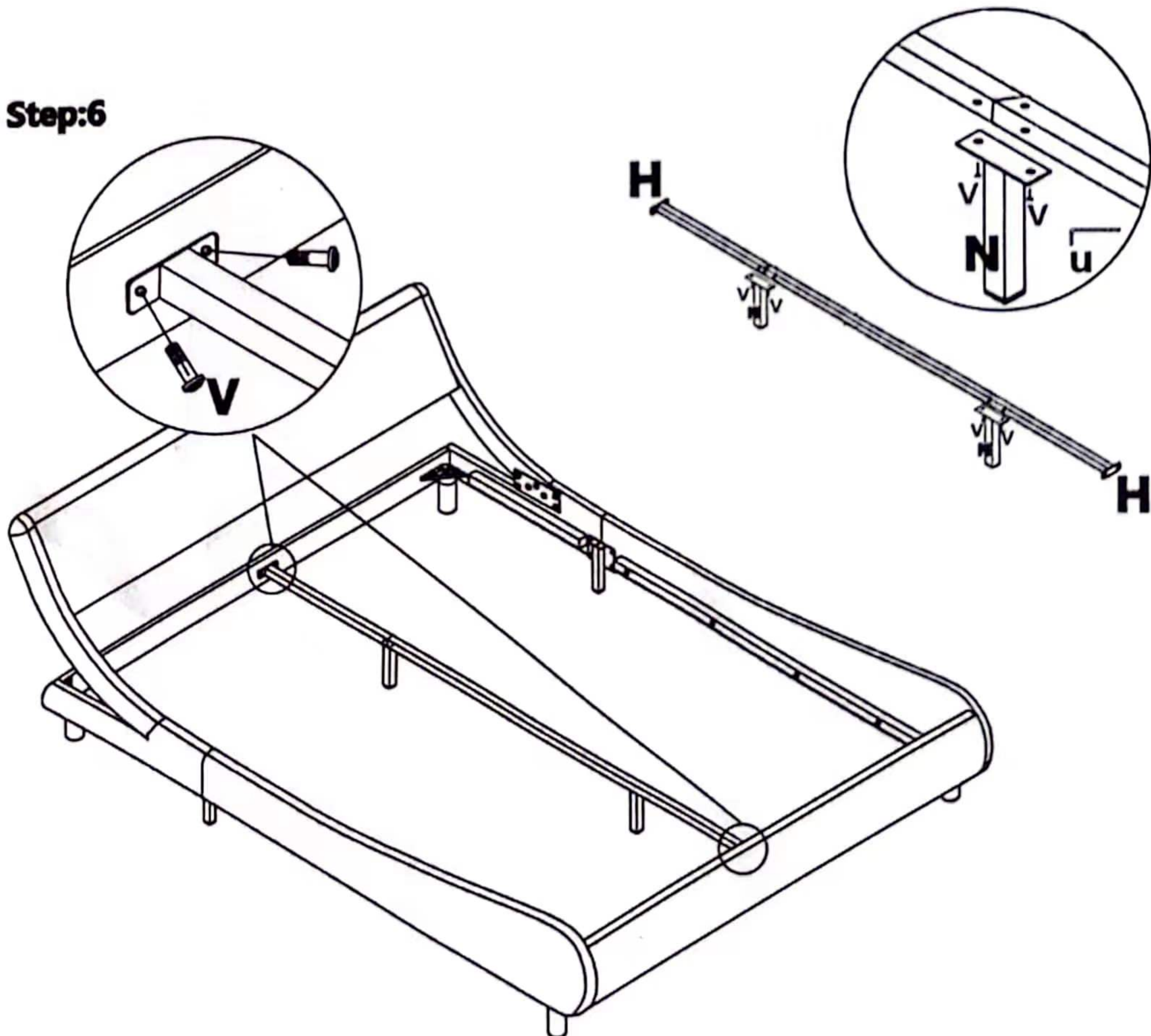


Assembly Instruction

Step:5

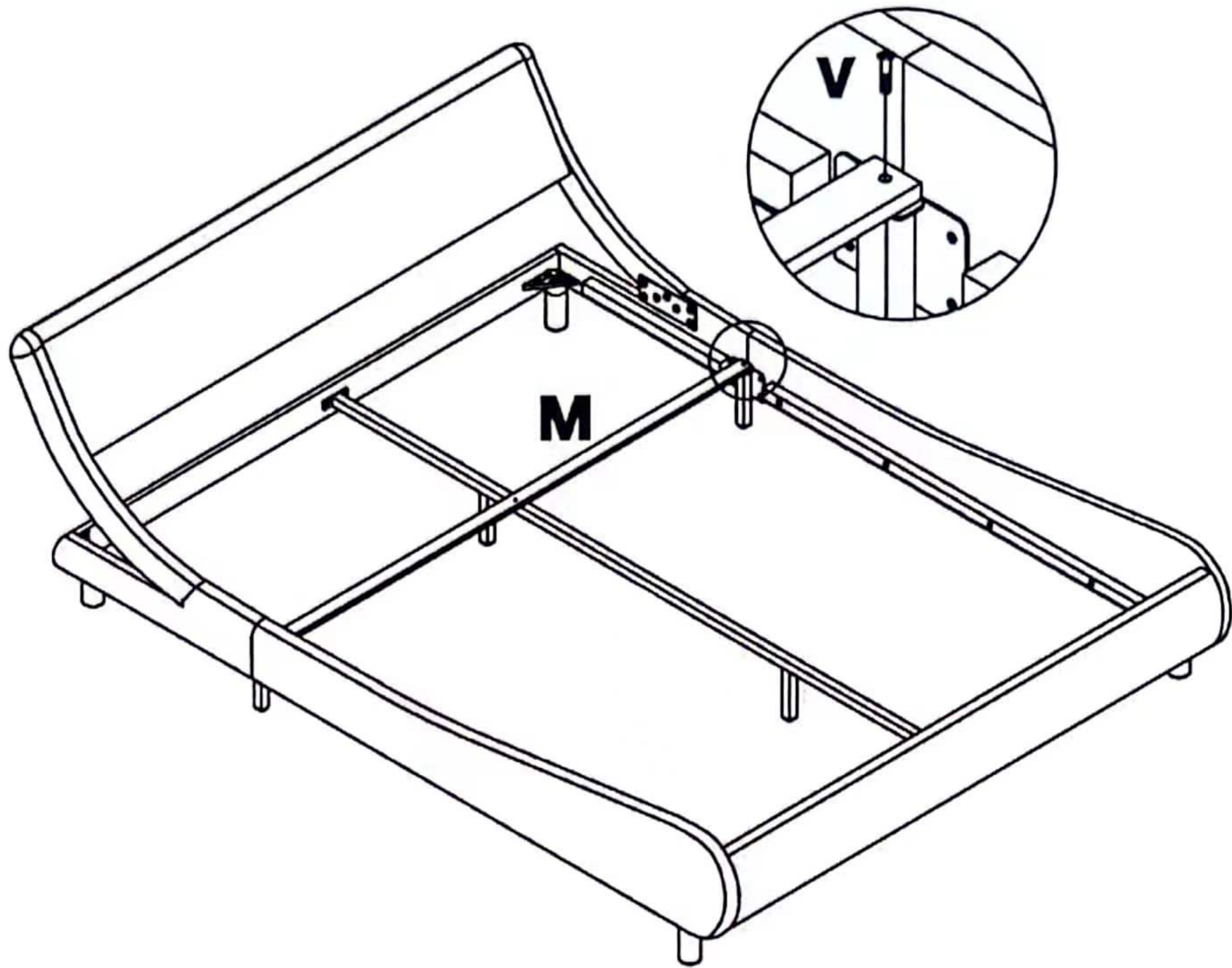


Step:6

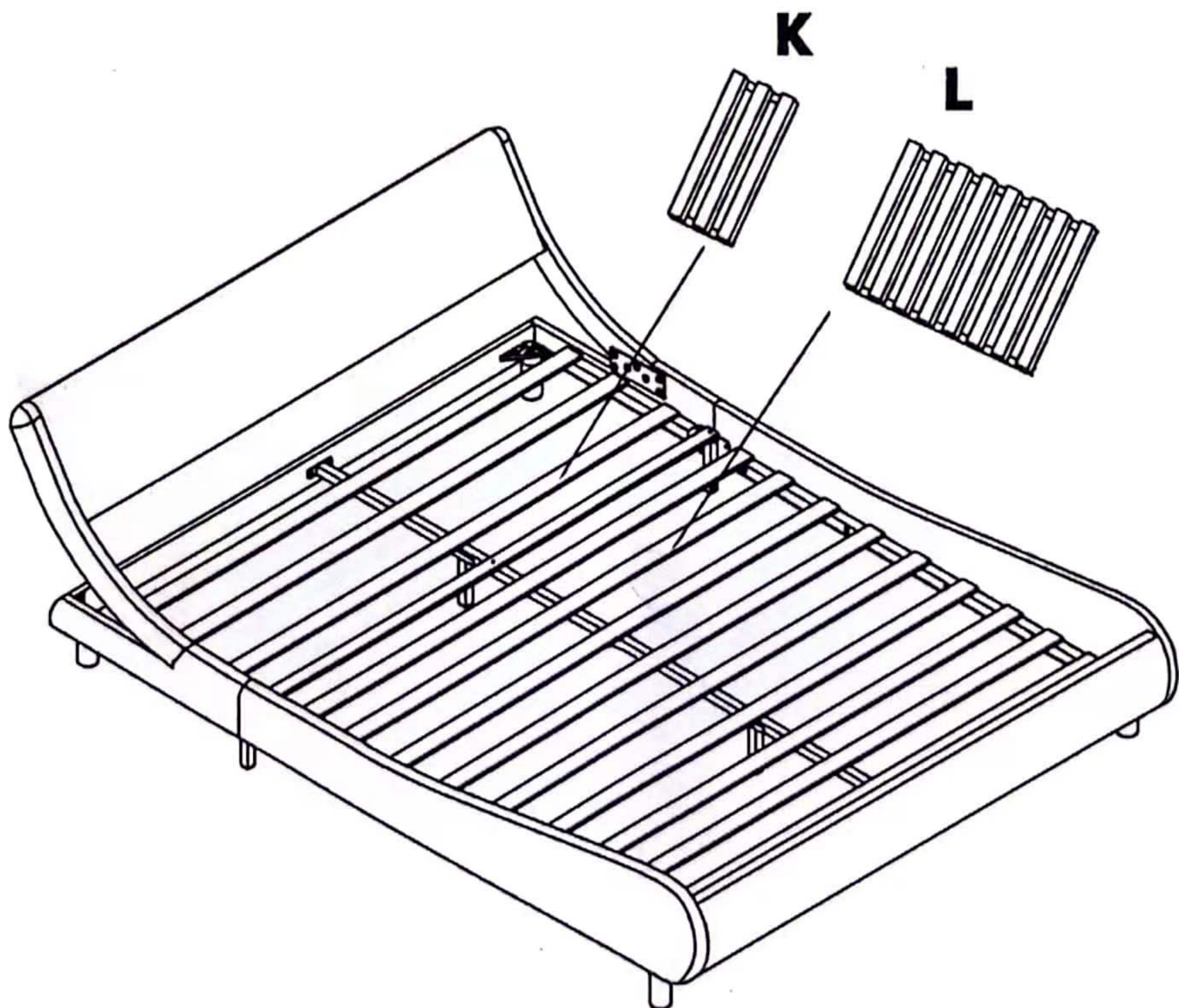


Assembly Instruction

Step:7

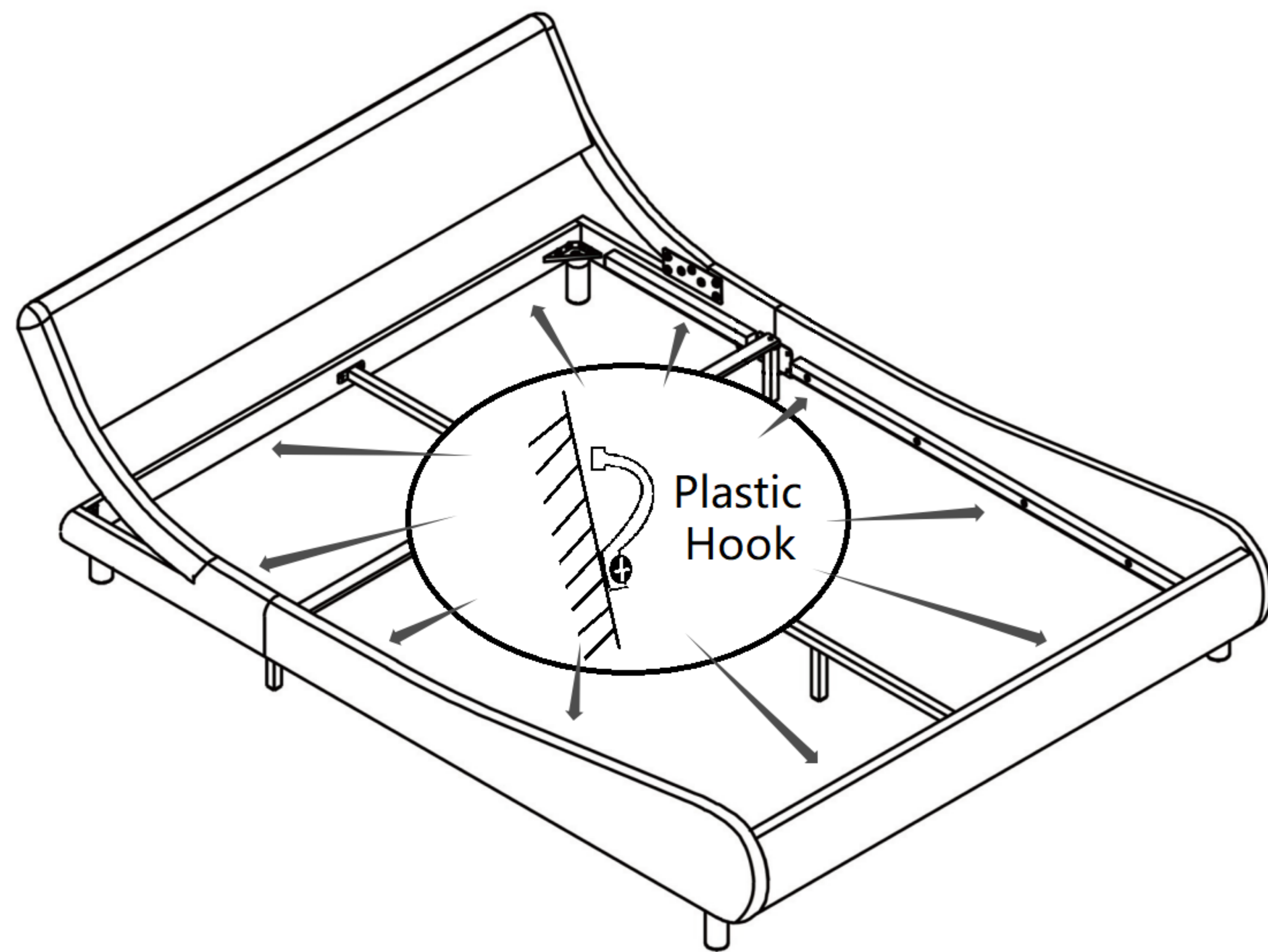


Step:8

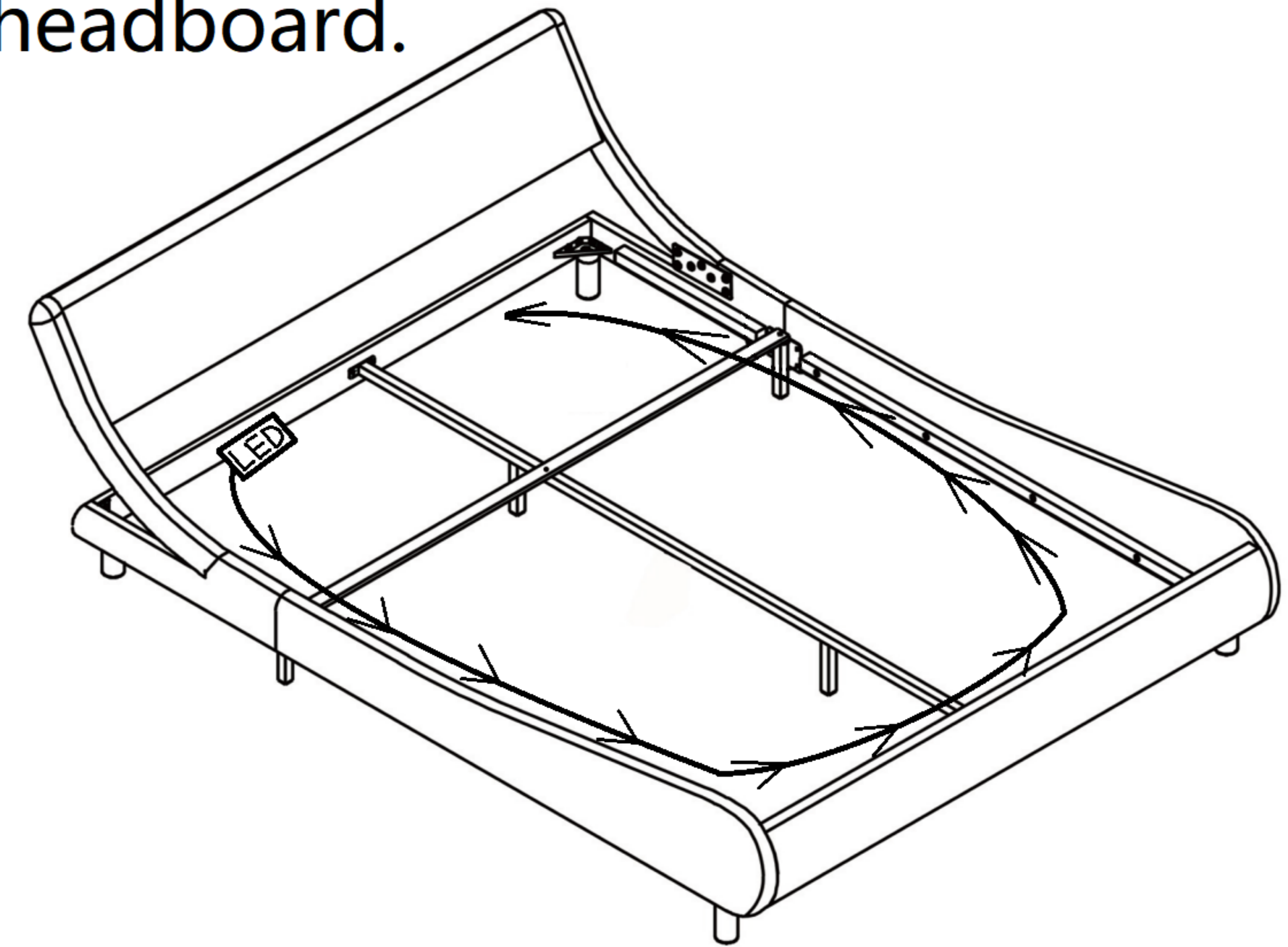


LED Installation instructions

1. Before laying the bed board onto the assembled bed frame, you can find some of these plastic hooks around the inside of the bed frame.



2. You can start by hanging the LED light strip from one side of the headboard, then along the side and foot of the bed, using these plastic hooks to secure it in place and looping it around to the other side of the headboard.



3. After assembling the LED light strip with LED Controller and Power Adapter, you can use the Remote Controller or Mobile Phone App to control the multi-color LED lights. The download QR code for the app can be found on the LED Controller.