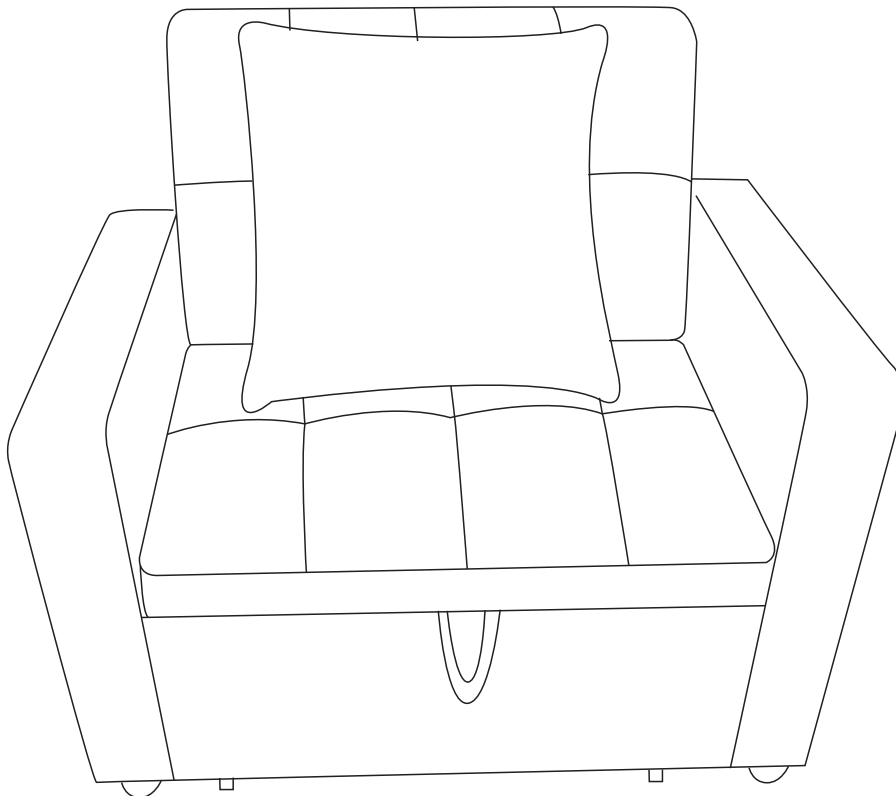


# Assembly Instructions


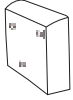

Your chair comes packaged in one box. Carefully remove all of components from the packaging and set aside for assembly.

CAUTION:  
DO NOT use any sharp objects  
to open plastic wrapped  
components as damage to  
product or components may  
result.







# ASSEMBLY INSTRUCTIONS

## PARTS LIST

PART	DRAWING	DESCRIPTION	QTY
A		Seat frame	1
B		Arm (L&R)	2
C		Pillow	1

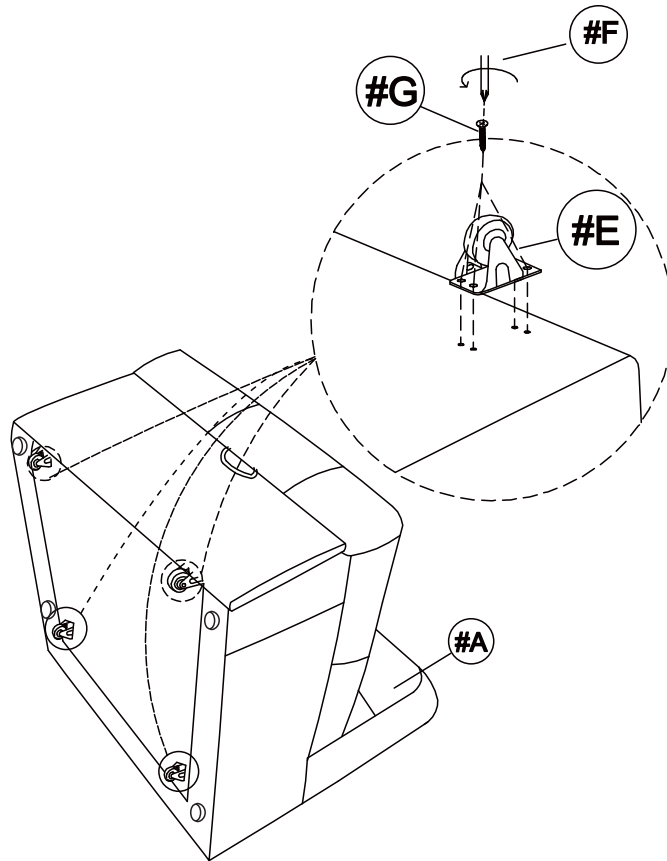
## HARDWARE LIST

PART	DRAWING	DESCRIPTION	QTY
D		LEG	4
E		Roller	4
F		Screwdriver	1
G		Self-tapping	8

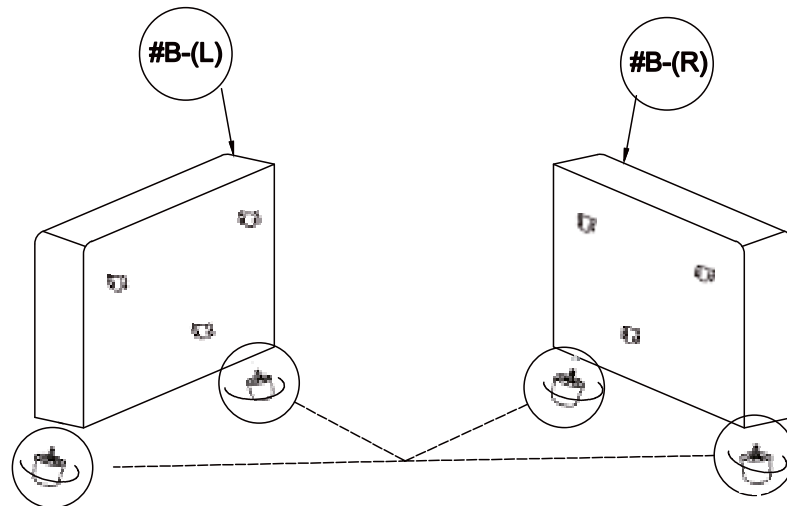
2/5

# ASSEMBLY INSTRUCTIONS

STEP 1

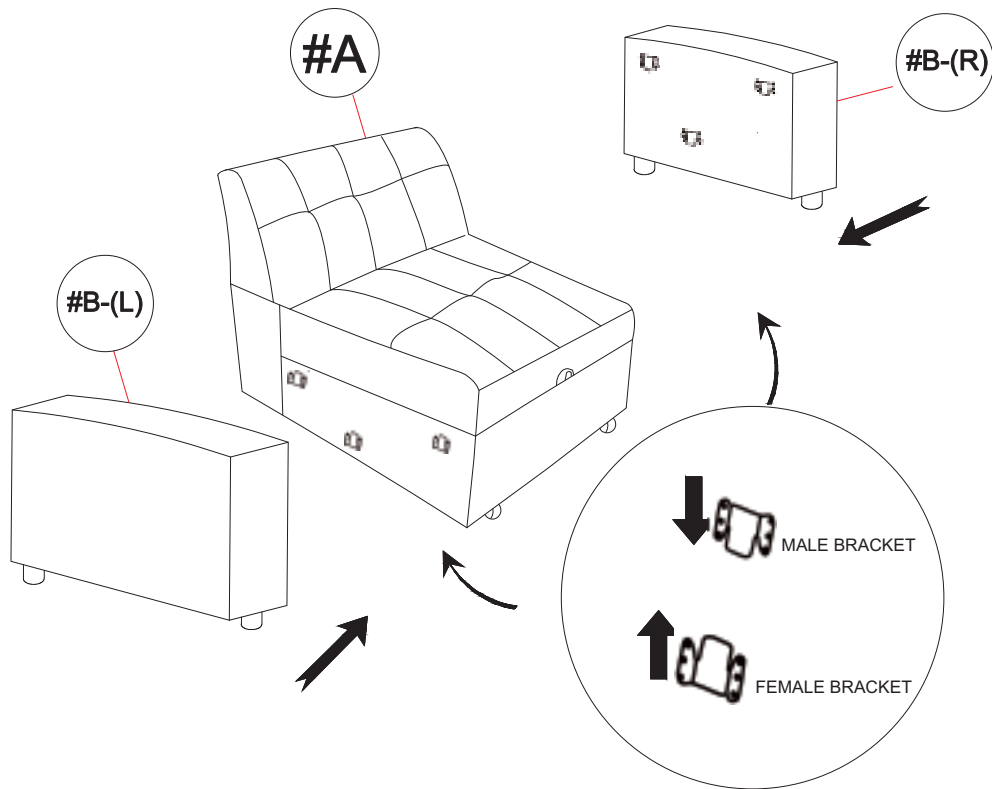


STEP 2

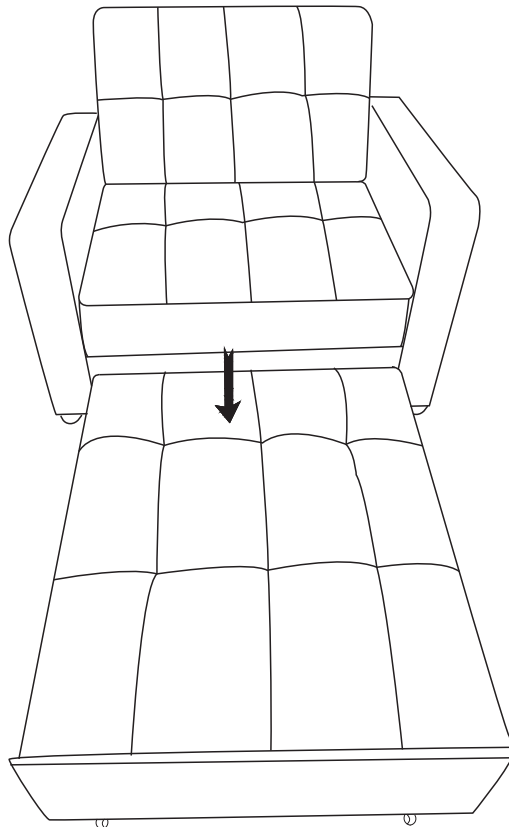


# ASSEMBLY INSTRUCTIONS

## STEP 3

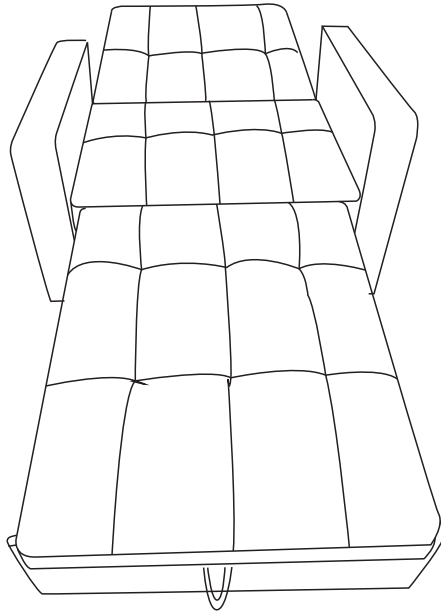


## STEP 4



# ASSEMBLY INSTRUCTIONS

STEP 5



COMPLETED !

