

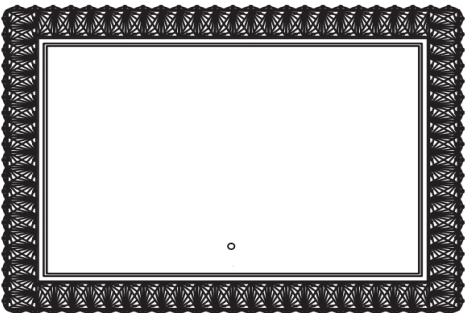

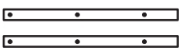



# Diamond Vanity Mirror Installation Manual

Thank you for purchasing our Diamond Vanity Mirror!

To avoid product damage and personal injuries;

please carefully read and understand all information in this manual before commencing with the installation.

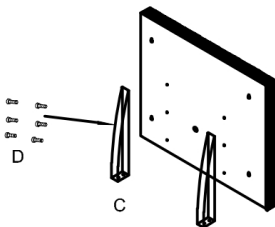
## PACKAGE CONTENT

1 x Mirror(A)	
	
1 x Base (B)	
	
2 x Metal Stents(C)	6 x Metal screws(D)
	
4 x Metal screws(E)	4 x Yellow Gecko Wall Mount Screws(F)
	

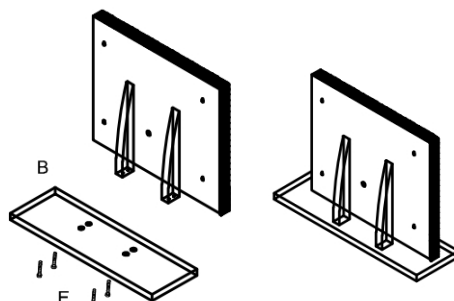
## SETTING UP YOUR MIRROR

1. Carefully unpack the mirror(A), base(B), Stents(C) and screws(D).

2. Using a screwdriver attach the stents(C) to the back of mirror with metal screws(D).

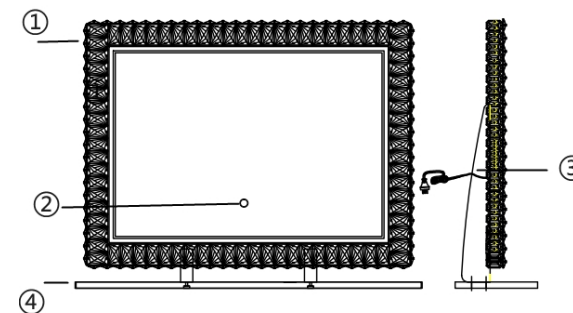


3. Carefully attach the stents(C) to the base(B) with the metal screws(E).



4. You can now plug the power cable(3) into a power socket. Your Diamond Vanity Mirror is now ready to use!

## PRODUCT FEATURES



- 1 Crystal block
- 2 Power, Color Temperature & Brightness Touch Control
- 3 Power Cable
- 4 Stainless steel base

## How to Use the Features

### Power, Color Temperature & Brightness Touch Control

1. To Control Lighting Temperature:
  - First touch will turn on the mirror at the standard color temperature of 6400K.
  - Second touch will change the color temperature to 3000K.
  - The third touch will change color temperature to 4200K.
2. To control Brightness/ Dimming:
  - Once you have found your desired temperature setting, HOLD DOWN the touch button to increase or decrease brightness.

### WARNINGS!

- Please DO NOT Plug in the power cable during installation
  - All power must be turned OFF until completion.
- DO NOT hang, drape or place objects too close to the light frame as they could burn or melt.
- Be cautious when cleaning the mirror surface; do not use abrasive materials as this will damage the overall finish.