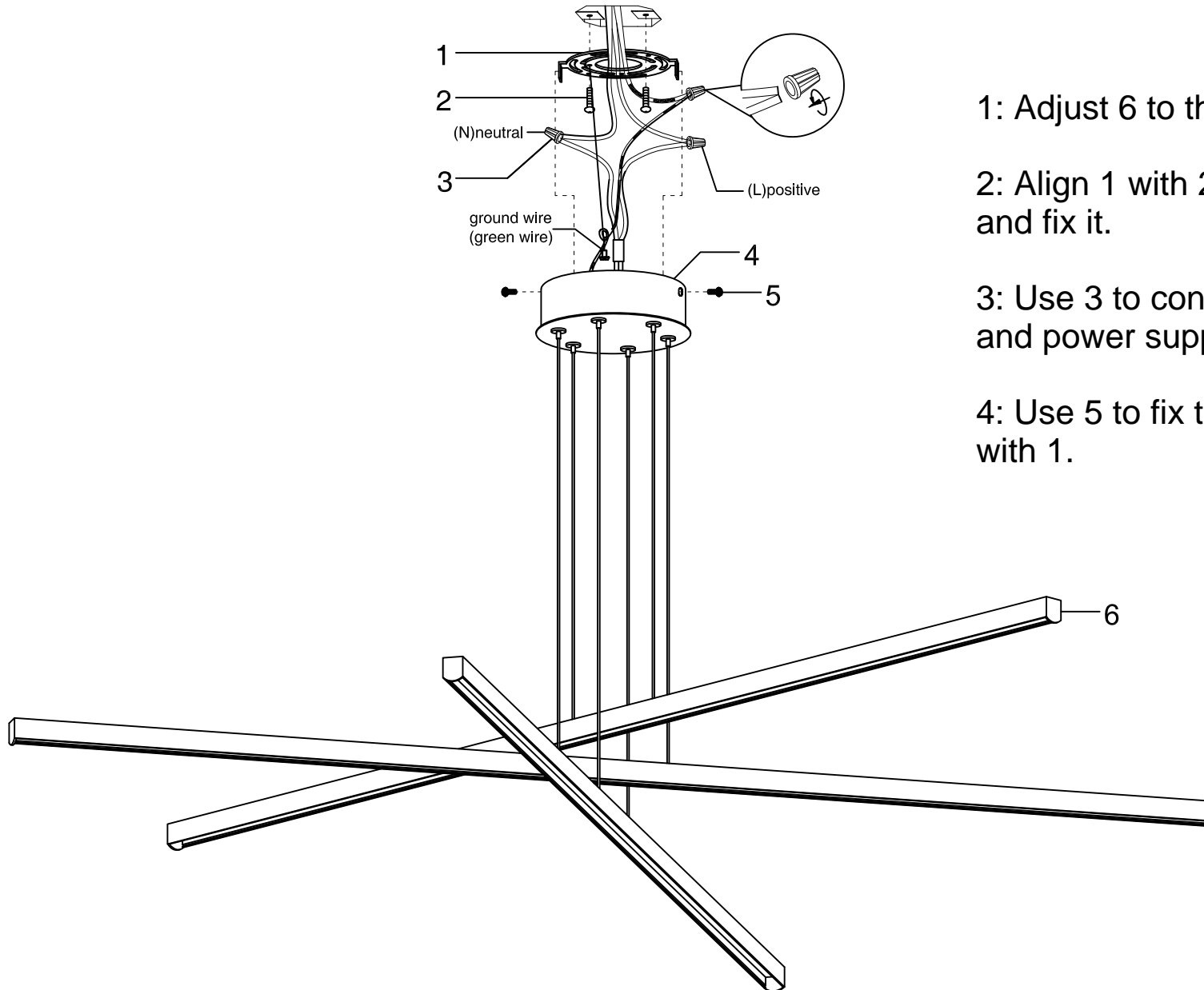


L8003



1: Adjust 6 to the required height.

2: Align 1 with 2 to the hole of BOX and fix it.

3: Use 3 to connect the light wire and power supply of the lamp.

4: Use 5 to fix the screws 4 aligned with 1.