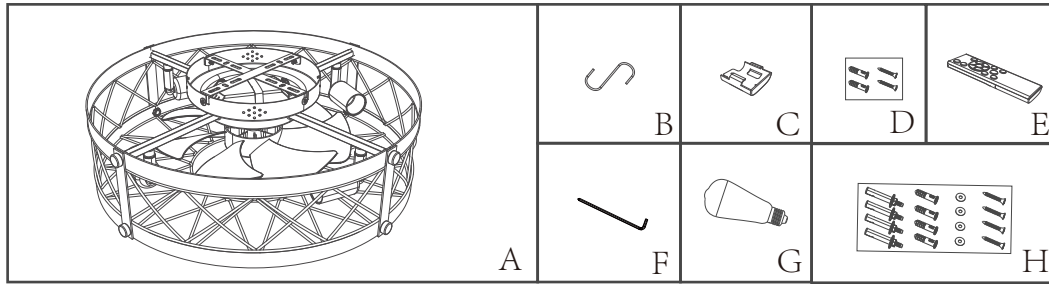


Package contents



- | | |
|---|-----------------------|
| A. Ceiling fan light x 1 | E. Remote control x 1 |
| B. S-hook (auxiliary mounting tool) x 1 | F. Screwdriver x 1 |
| C. Remote control wall bracket x 1 | G. ST64 LED bulbs x 5 |
| D. Accessory pack for bracket x 1 | H. Accessory pack x 1 |

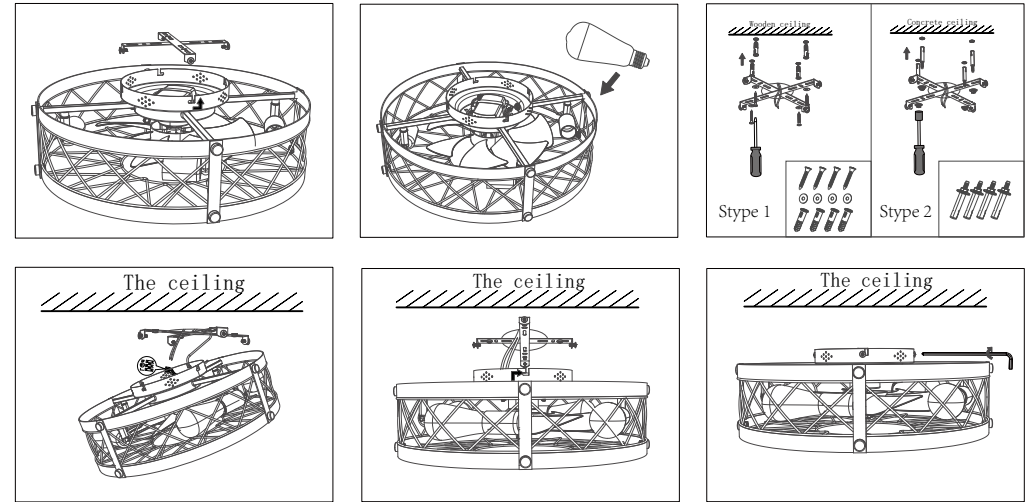
Attention

- To avoid potential electric shock, the home main power supply must be shut off before installation.
- Please pay attention to check whether the wires were in good condition before installation.
- All wiring must be carried out under national and specifications, please hire or consult a licensed electrician to ensure that the live, neutral, and ground wires are connected correctly.
- Please don't refit this ceiling fan light fixture, which may damage it.
- All screws must be checked and re-tightened if necessary before operating the ceiling fan light fixture.

Installation Steps

- Step1. Loosen the screws which connected the hanging plate and light fixture, but don't take them off, then take the hanging plate from the ceiling fan light fixture.
- Step2. Install bulbs. (Five bulbs include, one of them is a spare.)
- Step3. Marking/locating the hole position on the ceiling by borrowing the hole position of the hanging plate.
- Step4. If you have a wooden ceiling, use type 1 screws; if you have a concrete ceiling, use type 2 screws, then according to the size of the screws type, punch suitable size holes at the hole marks, then install the hanging plate.
- Step5. Connect wires: Connect the black live wire marked "L" on the receiver to the live wire (typically black) on the socket box. Connect the white neutral wire marked "N" on the receiver to the neutral wire (typically white) on the socket box. Connect the ground wire (bare wire) from the base of the ceiling fan base with the ground wire (bare wire) of the socket box. **(Hang the lamp on the hanging plate with S-hook then connect wires. Take off the S-hook after connect wires and proceed to the next step.)**
- Step6. Assemble the ceiling fan light fixture to the hanging plate, tighten the screws. Adjust the swivel screw on the lamp holder to keep the bulb in place and complete the installation.

Tips: Before installation, the lamp should be tested for electricity. The lamp can be installed to the ceiling only in normal operation.



Remote control

- | | | |
|-------------------------------------|--------------------------------|---------------------|
| Main switch | Fan off | Fan rotates reverse |
| Light on/off | Fan speeds | Fan rotates forward |
| Natural flow | Timing for 4 hour | Timing for 1 hour |
| Timing for 2 hour & pair key | Battery type: AAA(not include) | |

Warm Tips:

If your remote control does not control the fan and lights, please follow the steps below to undo the fault.

Step 1: Replace the battery of the remote control.

Step 2: Try to program the remote control.

- > turn off the main switch that controls the ceiling fan light and turn it on again
- > press and hold the 2H button of the remote control panel simultaneously within 5 seconds
- > if you hear a beeping sound, the code is matched successfully.

