

Product parameters

Parameter	
Model No	TZ-11835
Solar Panel	Polycrystalline silicon 5.5V/2W
Battery	18650# Lithium Battery 3.7V/ 2000mAh
LED Source	SMD2835 99*2PCS
Charging Time	5-6 Hours
Working Time	9-11 Hours
IP Grade	IP54
Function	Light control
CCT	CW (6500-7000K), WW (2800-3200K)
Main Material	Die-cast aluminium + PS cover

Notice

1. When the lamp is not working or the working time is short, please place the lamp in a location where the sun is shining directly to charge for 2 days. Don't turn on the lamp during the process. If it still doesn't work or working time is short, please contact the factory.
2. The product has light sensor, please use it where there is no light.
3. Rainy weather will affect the charging of lamp, the working time will be reduced.
4. Don't install the lamp in a place that is easily immersed in water.
5. Don't install the lamp in eaves, tree bottoms and other environments where there is no direct sunlight.
6. The lamp has built-in battery, don't throw away directly.

Solar Pillar Light

Product Manual



Please charge in the sun for 4 hours before using for the first time.

Check Remarks before use

1. Place lamp under sunshine for 4-6h after you get goods and turn on, because it only reserve part energy in battery.
2. The less time to charge under sunshine, the less time to work at night, Working time depends on surrounding, geography latitude, seasons etc.
3. There is the difference of working time and brightness extent for different light, please note.
4. Please clean the panel and in case of poor charging effect if it happen to have obstacle in panel in using.

Product Manual



Press the switch

1. Press switch first, turn on in 100%
2. Press switch second, turn on in 50%
3. Press switch third, close
4. Press switch for 2-3 seconds, transfer CCT

(Testing light working need to place in dark surround or use dense items cover solar panel tightly.)

Light control



It turns on at light automatically.



Cycle switching



During the day, it is charged by the sun.

Packing Included

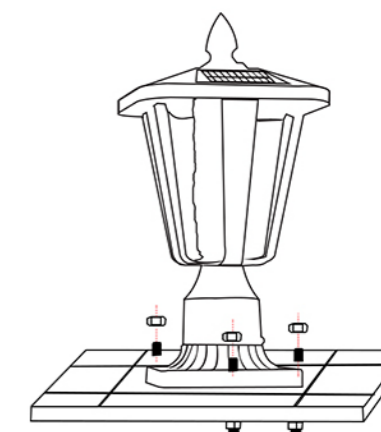
Solar light*1

M6*60mm Expansion Screw*4

Installment step

1

Drill four holes in the floor according to the hole spacing of the base and insert expansion screws.



2

Align the base with the expansion screw sleeve and tighten the nut.

