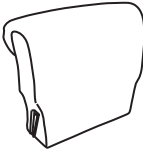
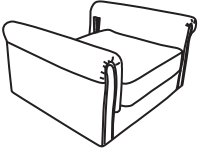
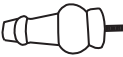



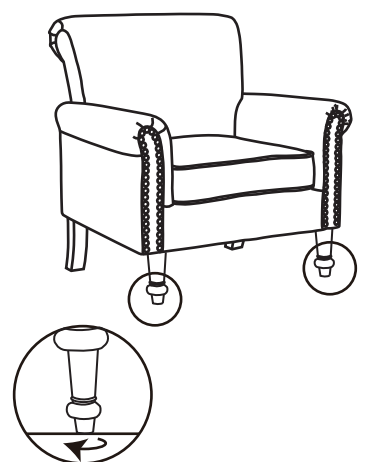
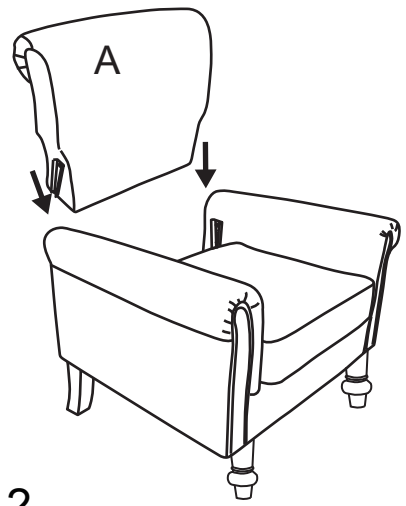
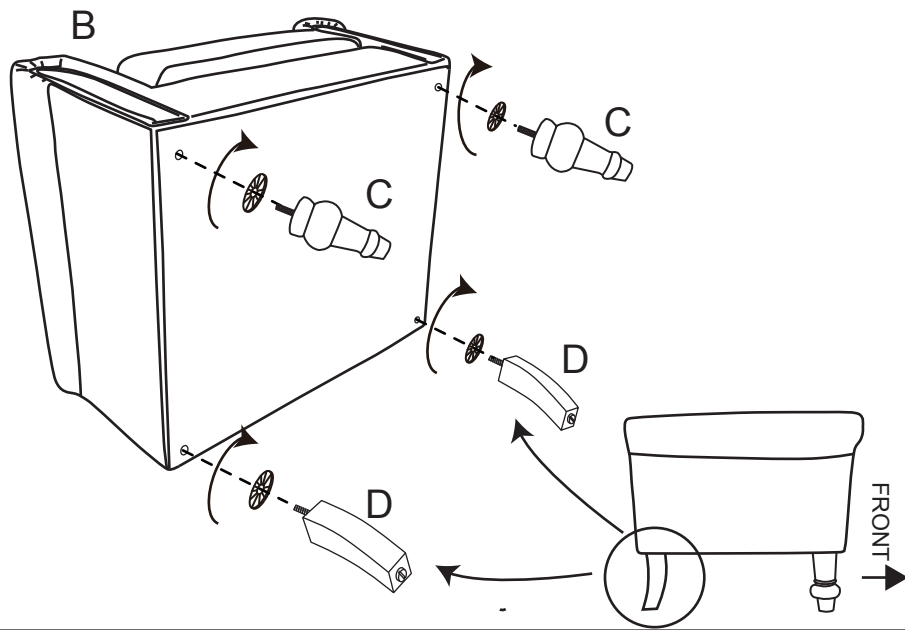
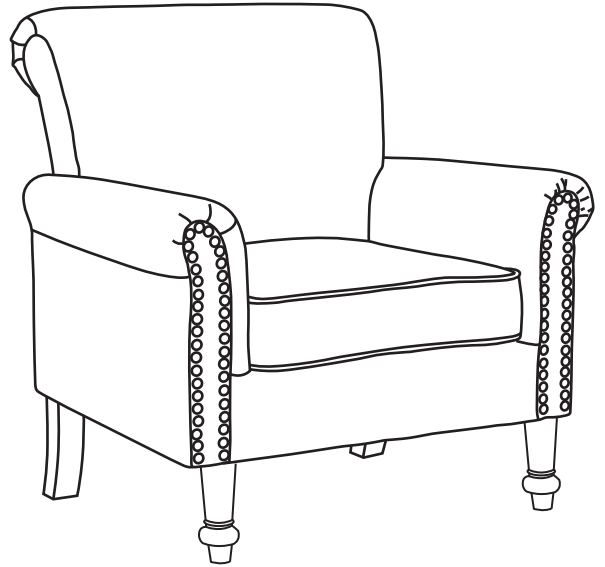


# ASSEMBLY INSTRUCTIONS

RZ-206

PARTS LIST		
NO.		Q'ty
A		1
B		1
C	 	2
D	 	2



Adjust Pre-installed Levelers height to achieve balance