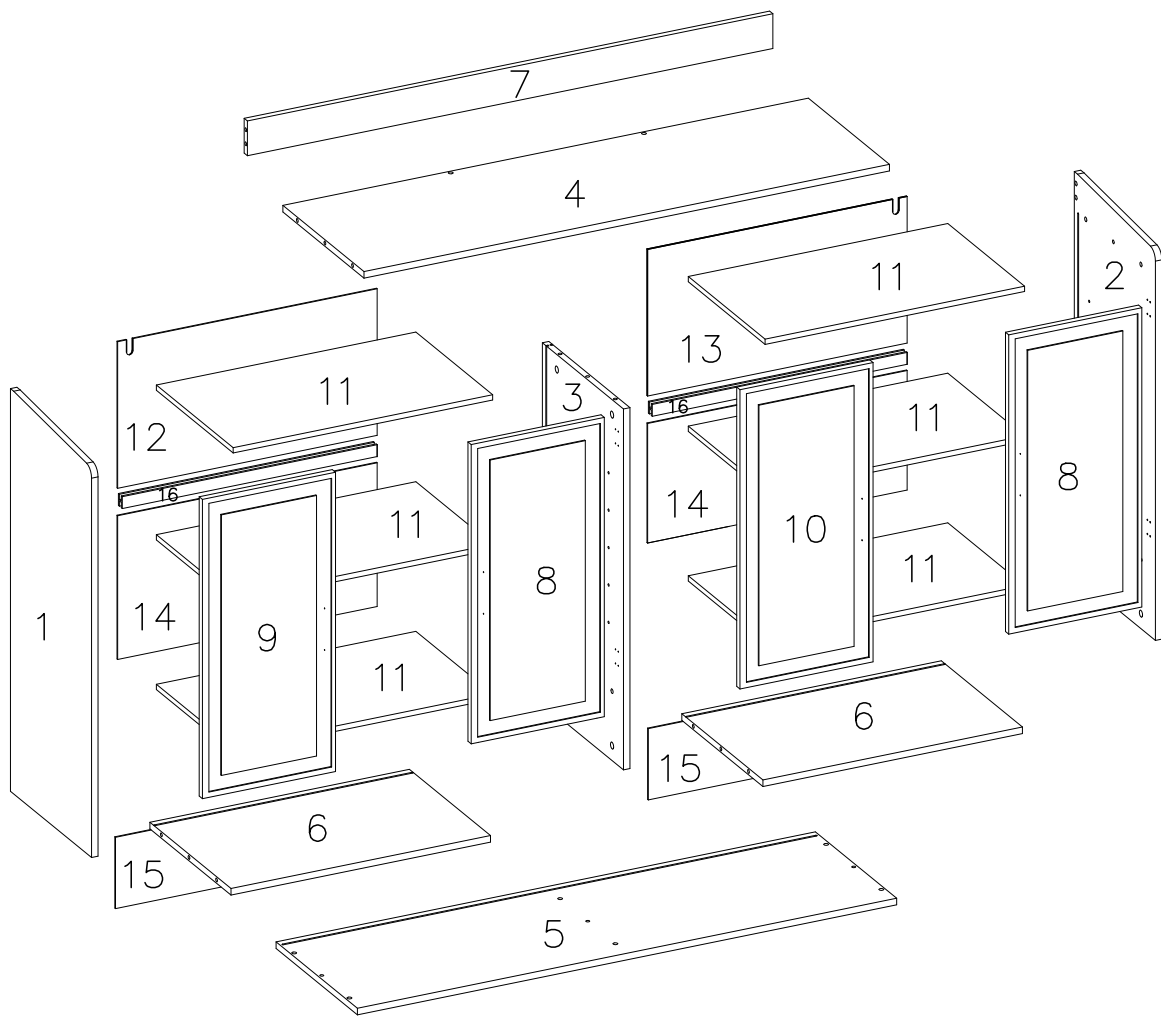

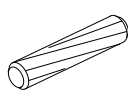
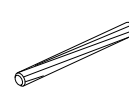

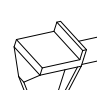
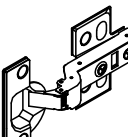
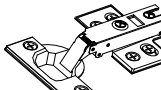
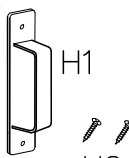

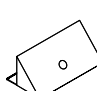
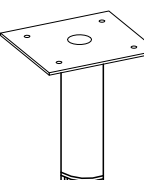
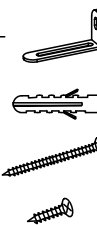
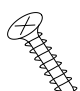
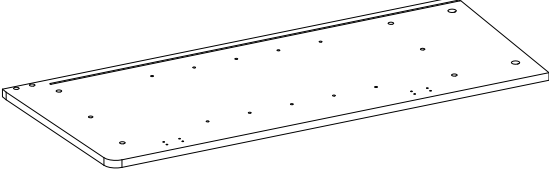
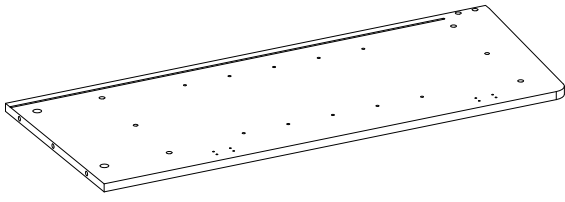
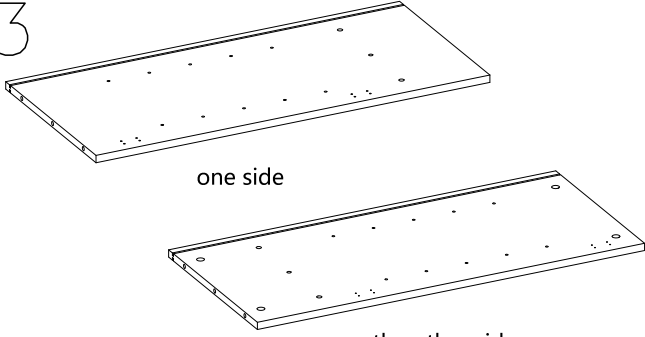
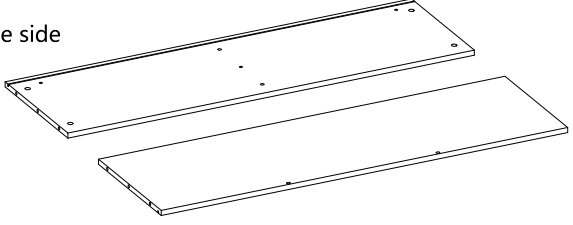
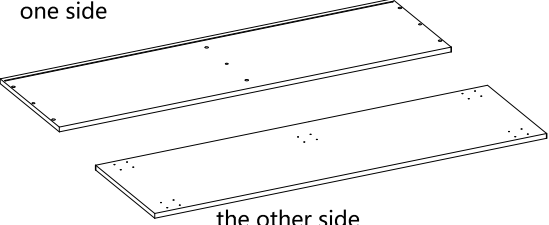
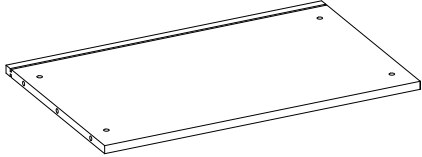
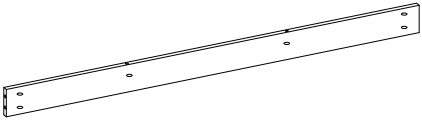
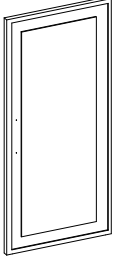
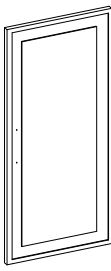
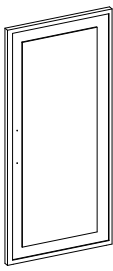


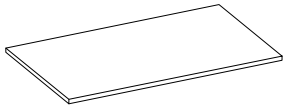
**DS-SC003B**



<p>A</p>  <p>A1 A2</p> <p>26PCS</p>	<p>B</p>  <p><math>\phi 8 \times 30\text{mm}</math></p> <p>8PCS</p>	<p>C</p>  <p><math>\phi 8 \times 50\text{mm}</math></p> <p>1PC</p>	<p>D</p>  <p><math>\phi 3.5 \times 12\text{mm}</math></p> <p>48PCS</p>	<p>E</p>  <p>24PCS</p>	<p>F</p>  <p>4PCS</p>	<p>G</p>  <p>4PCS</p>
<p>H</p>  <p>H1 H2</p> <p>4PCS</p>	<p>I</p>  <p>26PCS</p>	<p>J</p>  <p>24PCS</p>	<p>K</p>  <p>5PCS</p>	<p>L</p>  <p>L1 L2 L3 L4</p> <p>2PCS</p>	<p>M</p>  <p><math>\phi 3.5 \times 14\text{mm}</math></p> <p>44PCS</p>	

<p>1</p>  <p>915*362*15mm 1PC</p>	<p>2</p>  <p>915*362*15mm 1PC</p>
<p>3</p>  <p>820*362*15mm 1PC</p>	<p>4</p>  <p>1218*362*15mm 1PC</p>
<p>5</p>  <p>1250*363*15mm 1PC</p>	<p>6</p>  <p>601.5*362*15mm 2PCS</p>
<p>7</p>  <p>1218*79*15mm 1PC</p>	<p>8</p>  <p>680*308.5*15mm 2PCS</p>
<p>9</p>  <p>680*308.5*15mm 1PC</p>	<p>10</p>  <p>680*308.5*15mm 1PC</p>

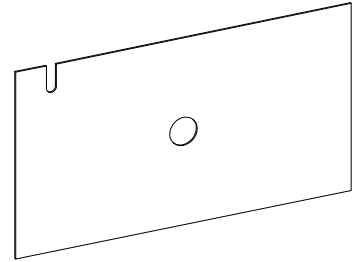
11



599\*340\*12mm

6PCS

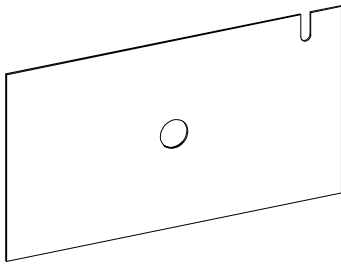
12



610.5\*331\*3mm

1PC

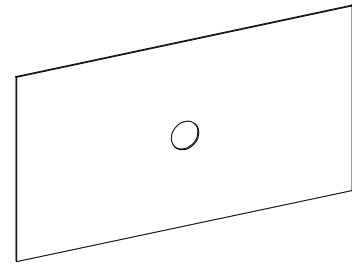
13



610.5\*331\*3mm

1PC

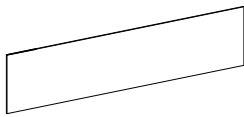
14



610.5\*331\*3mm

2PCS

15



610.5\*159\*3mm

2PCS

16



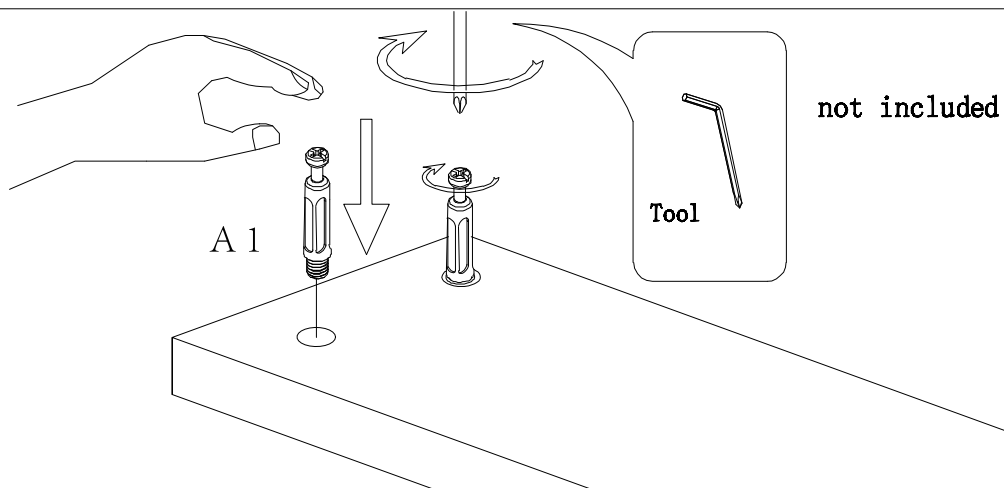
L=599.5mm

2PCS

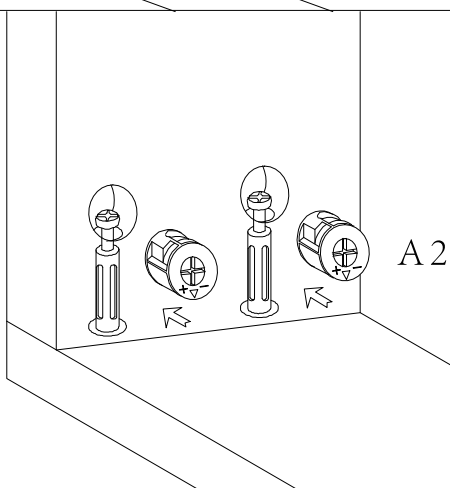
# Hardware installation demonstration

NOTE: Please make sure  
"A1" hardware tightened  
and can't be pulled out!

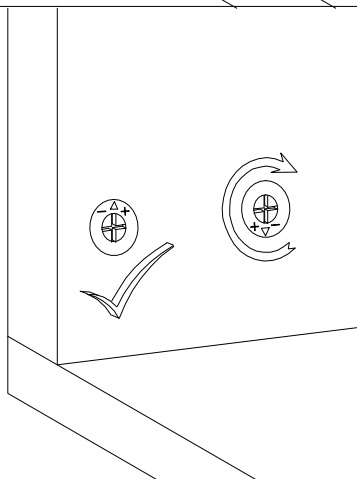
I



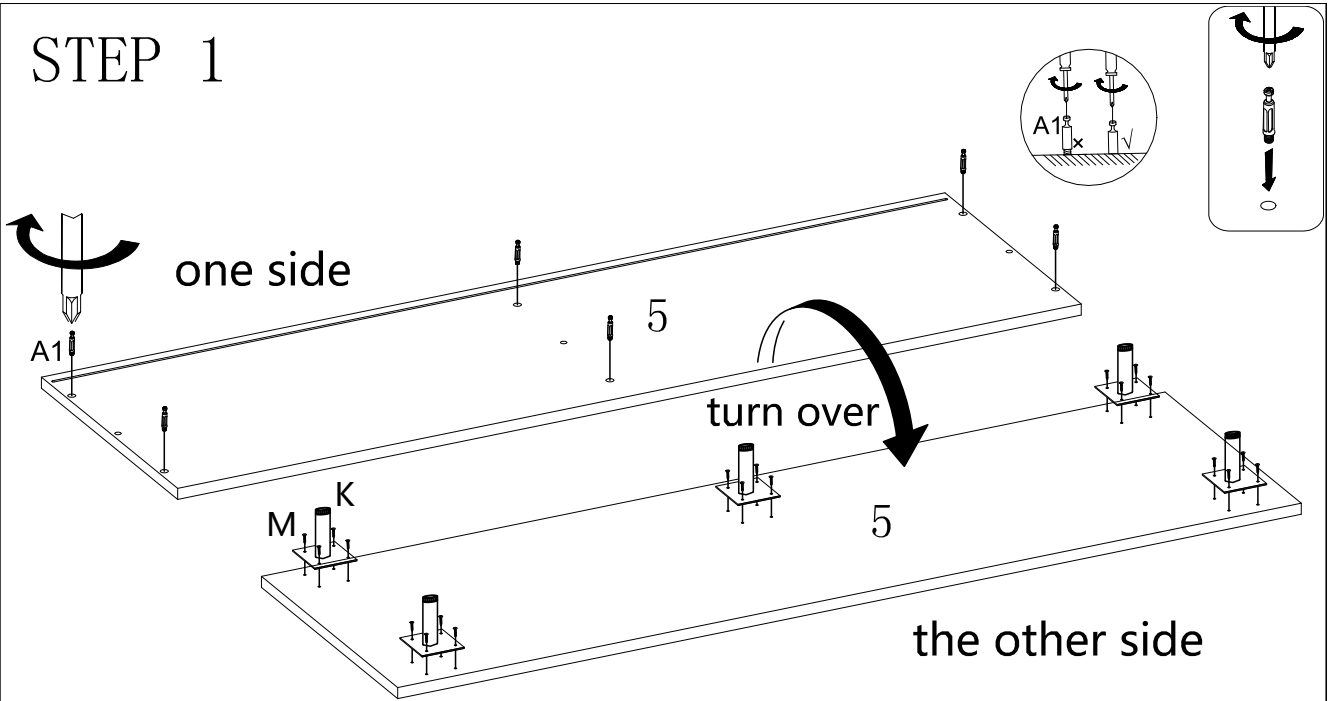
II


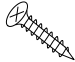



III

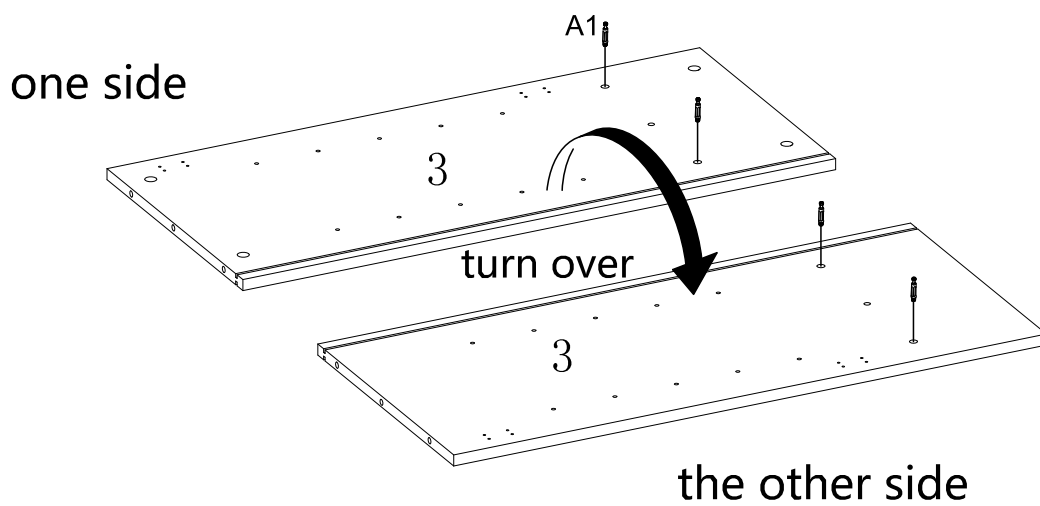



# STEP 1



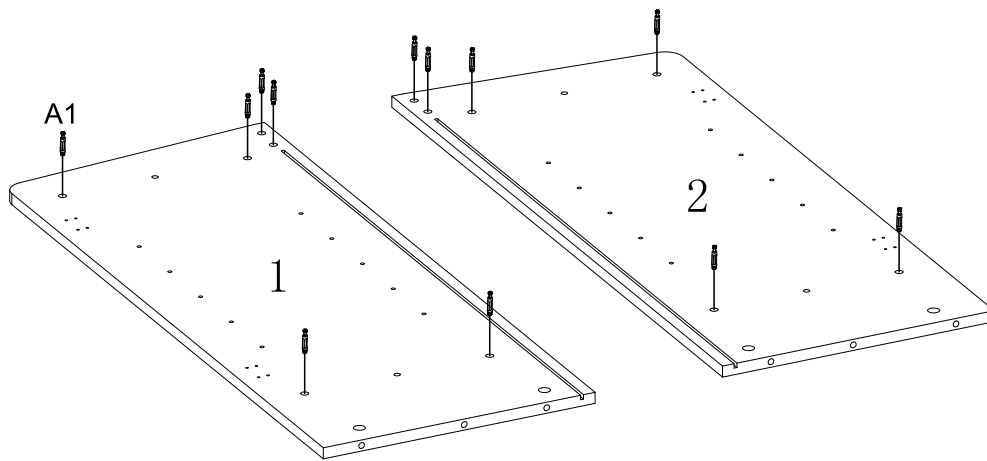
			K × 5PCS
	M × 20PCS		A1 × 6PCS


# STEP 2



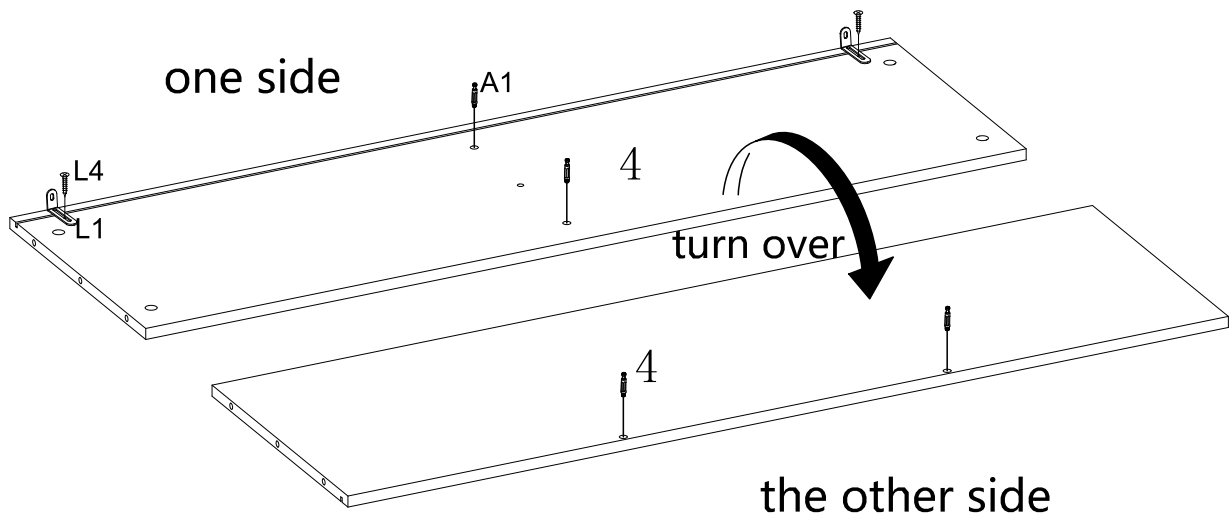
	A1 × 4PCS
---	-----------





# STEP 3



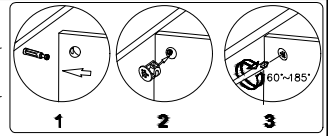
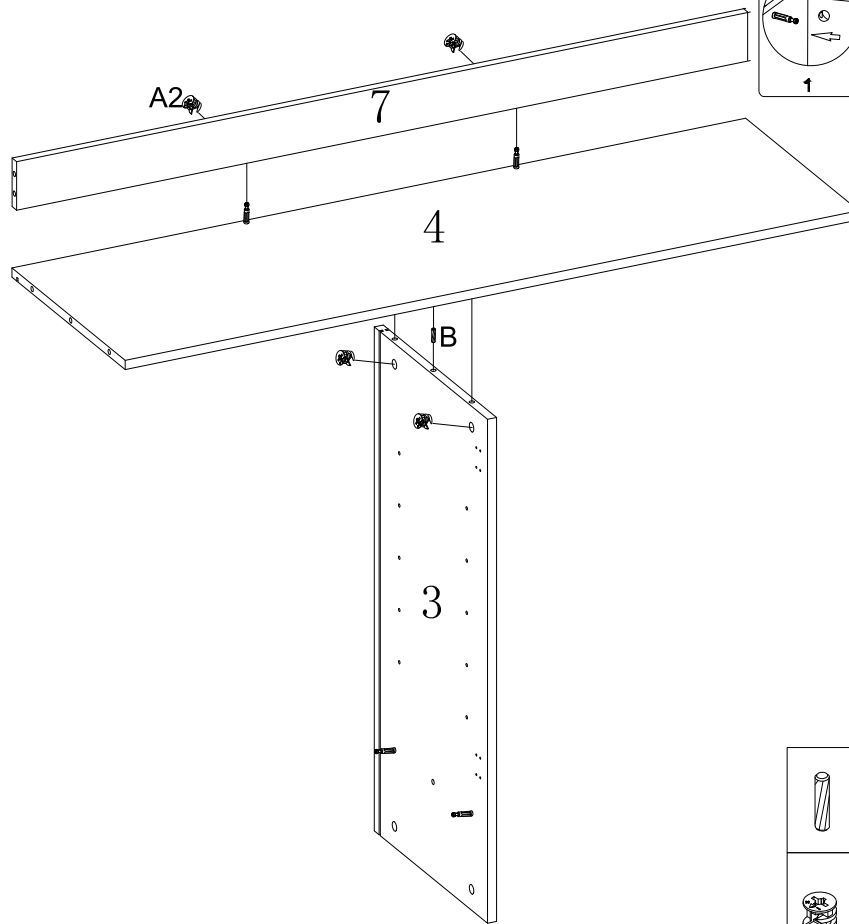
	A1 × 12PCS
---	------------



# STEP 4



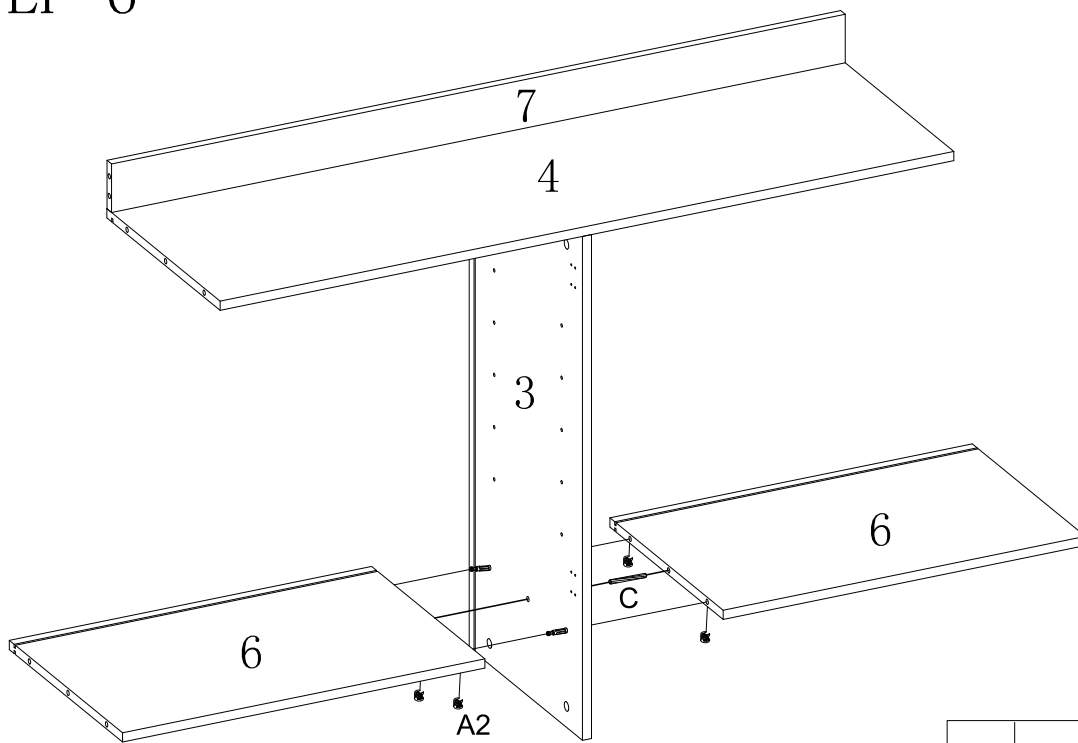
	L1 × 2PCS		A1 × 4 PCS
	L4 × 2PCS		A1 × 4 PCS



# STEP 5



	B × 1 PC
	A2 × 4 PCS

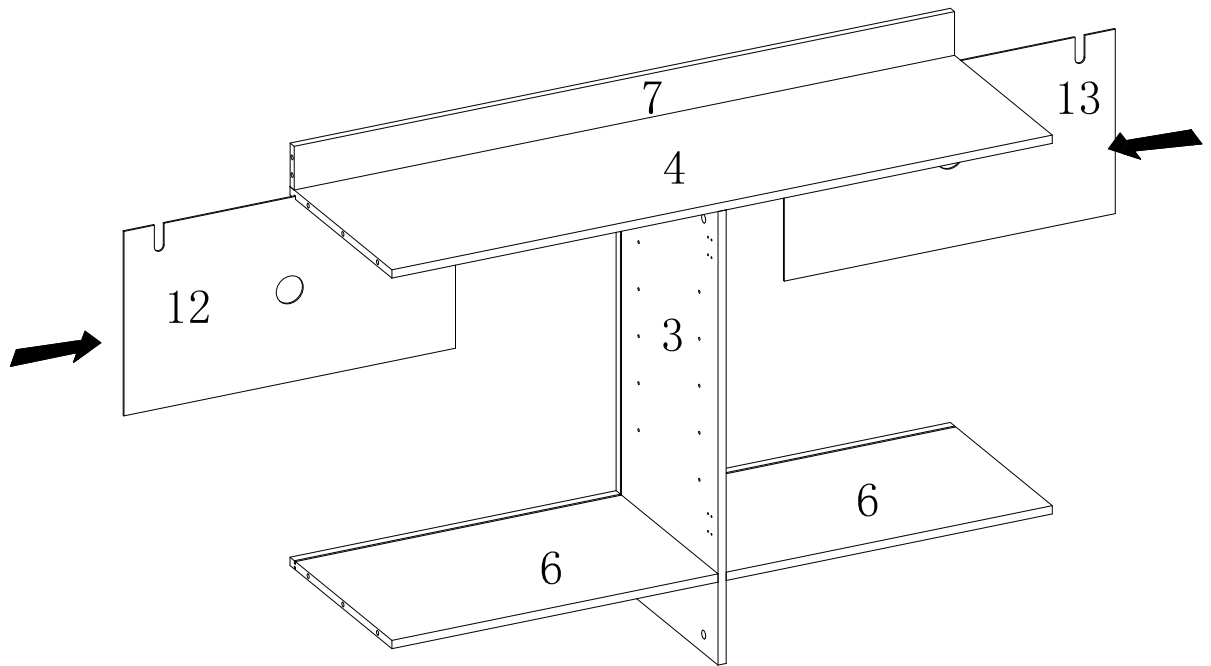
# STEP 6



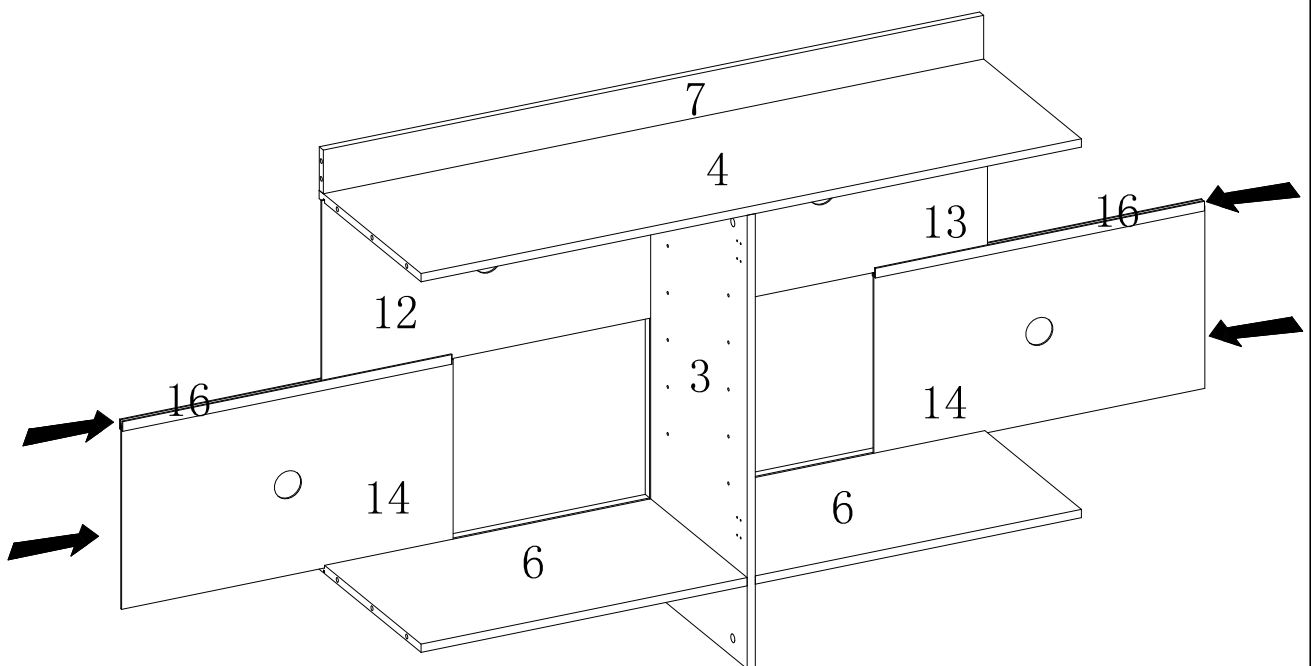
	C × 1 PC
	A2 × 4 PCS



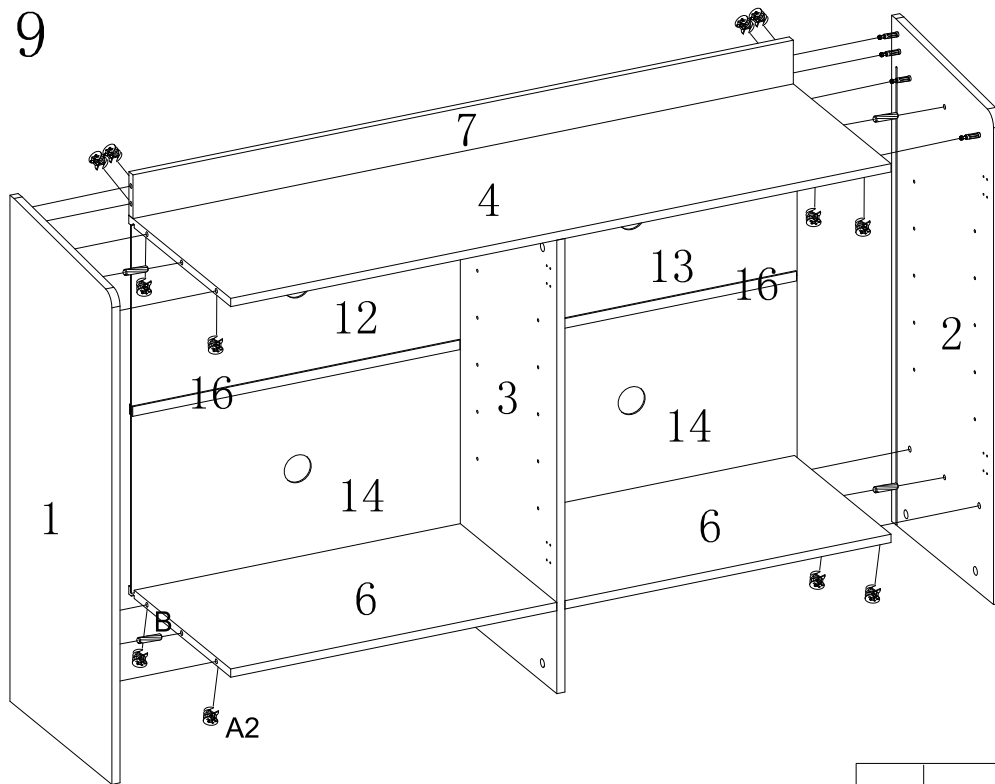
# STEP 7





# STEP 8

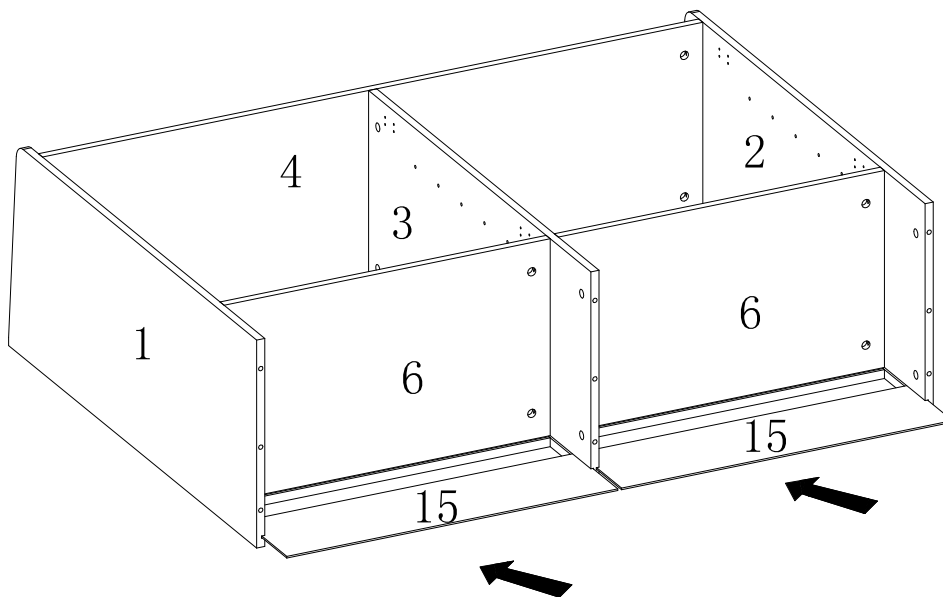


# STEP 9

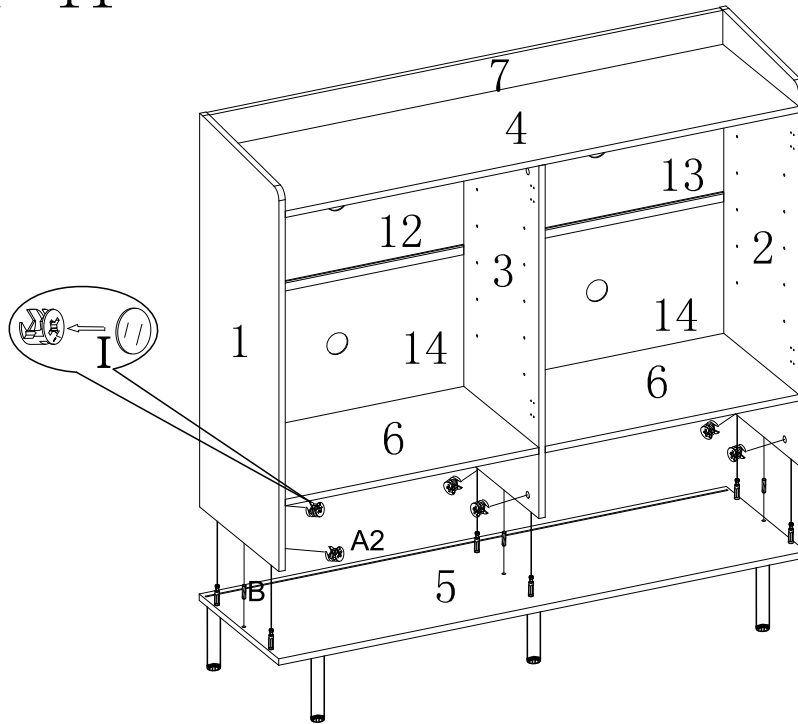





	B× 4PCS
	A2×12PCS

# STEP 10

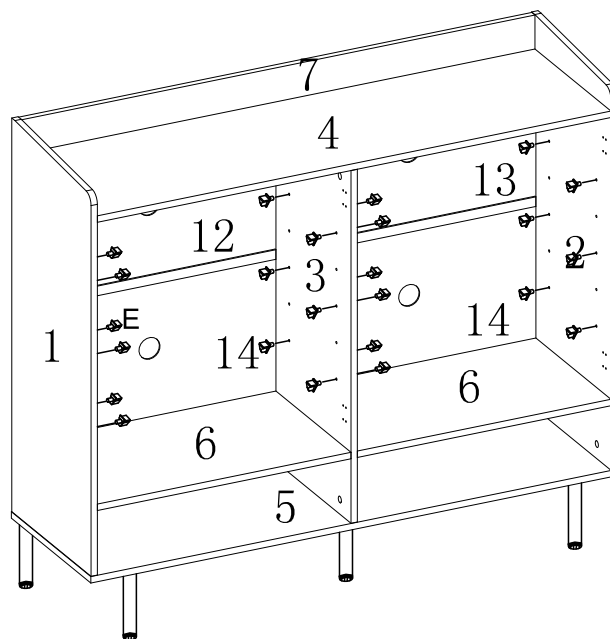



# STEP 11



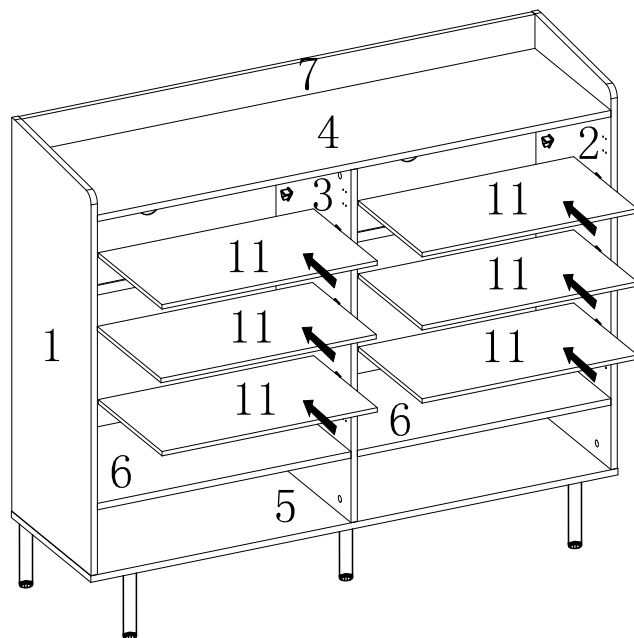
	B × 3PCS
	I × 26PCS
	A2 × 6PCS

# STEP 12

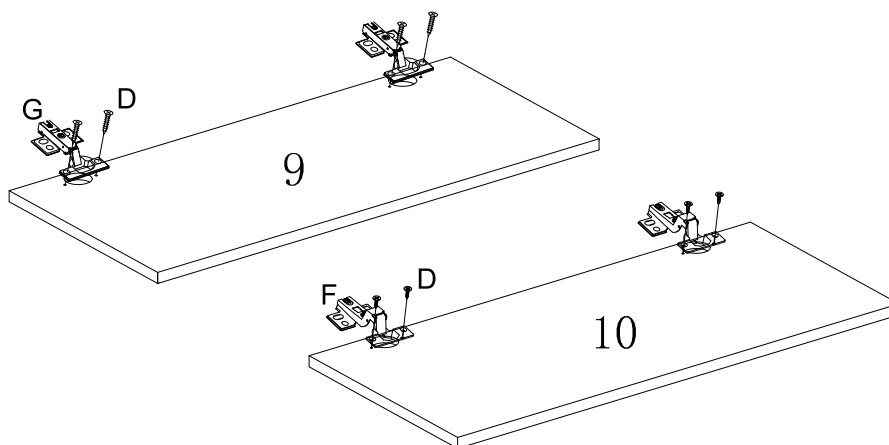


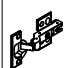


	E × 24PCS
---	-----------

# STEP 13

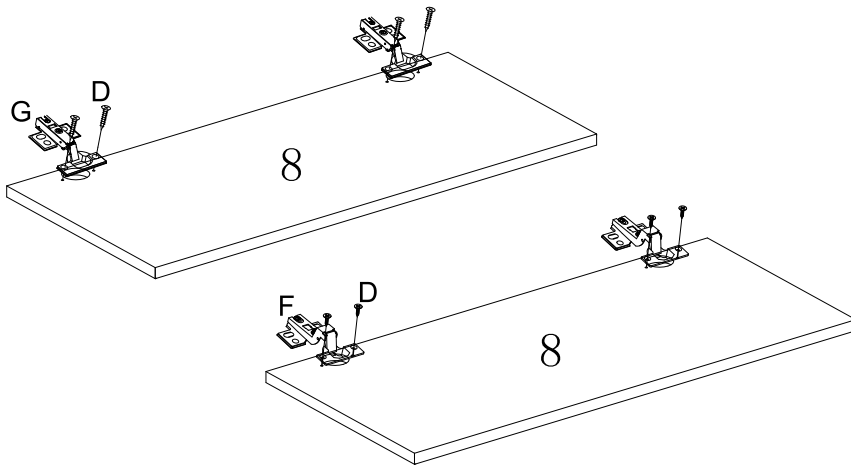



# STEP 14





			F × 2PCS
	D × 8PCS		G × 2PCS

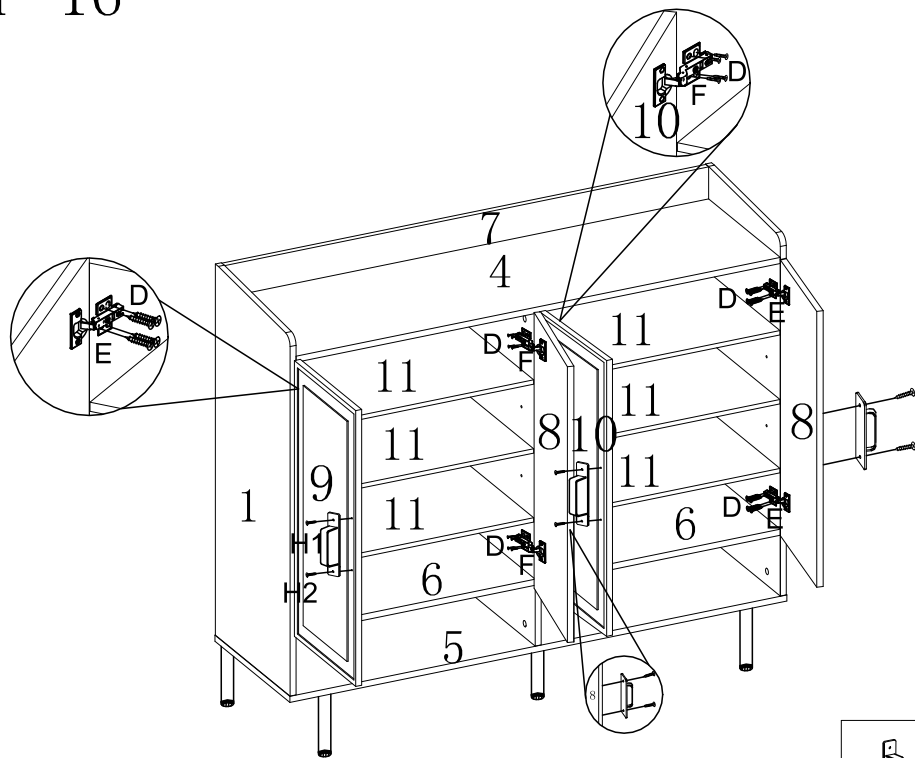
# STEP 15





	F × 2PCS
---	----------

	D × 8PCS		G × 2PCS
---	----------	---	----------

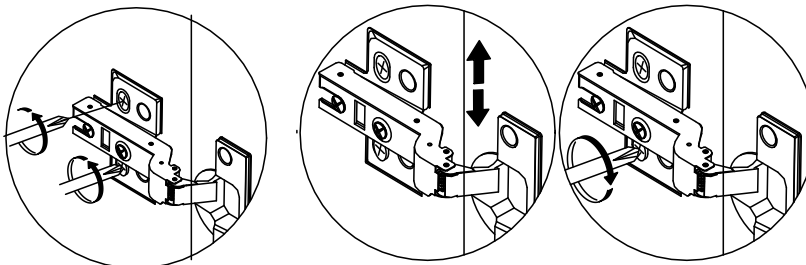
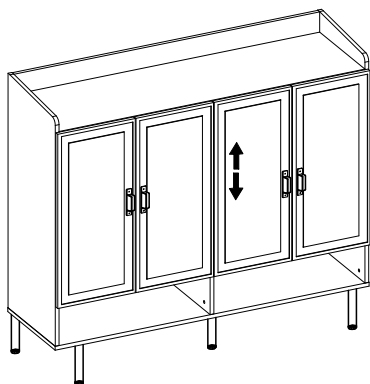
# STEP 16



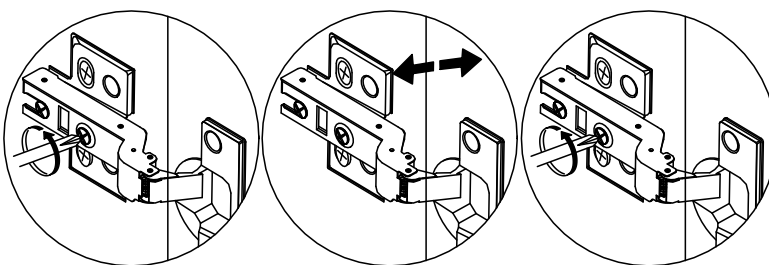
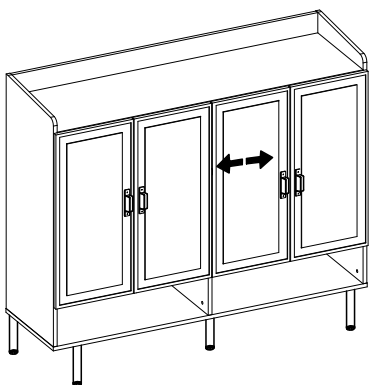
	H1 × 4PCS
---	-----------

	H2 × 4PCS		D × 32PCS
---	-----------	---	-----------

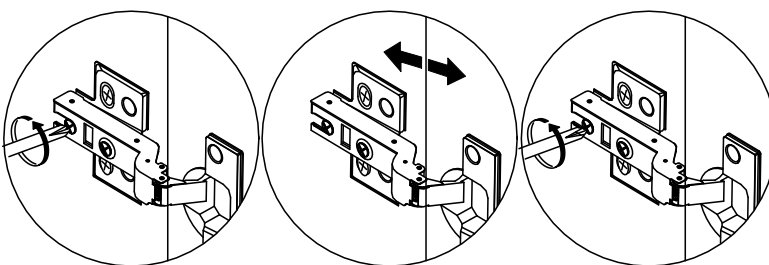
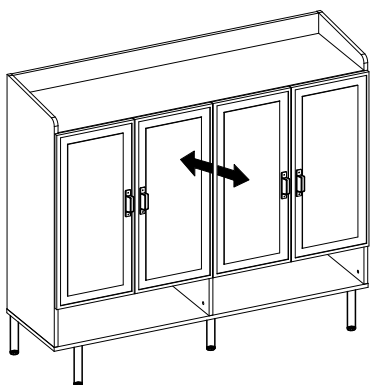
# STEP 17



Cabinet door up and down fine adjustment

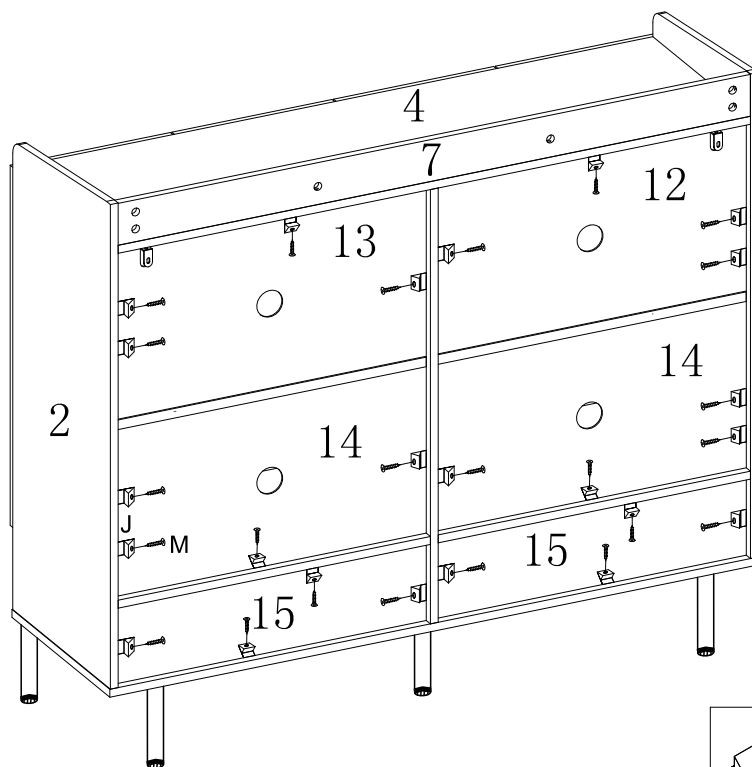



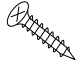
Cabinet door left and right fine adjustment



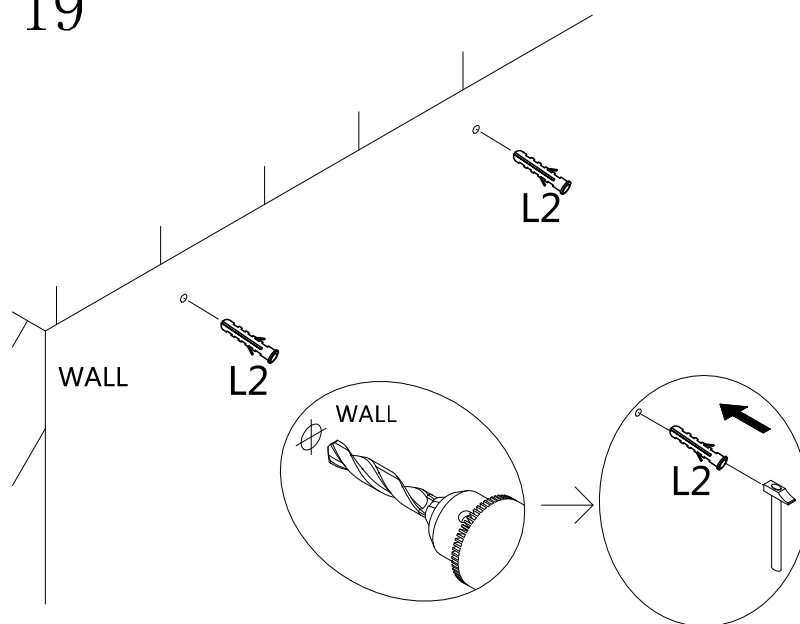
Fine-tune the gap after the cabinet door is closed


# STEP 18



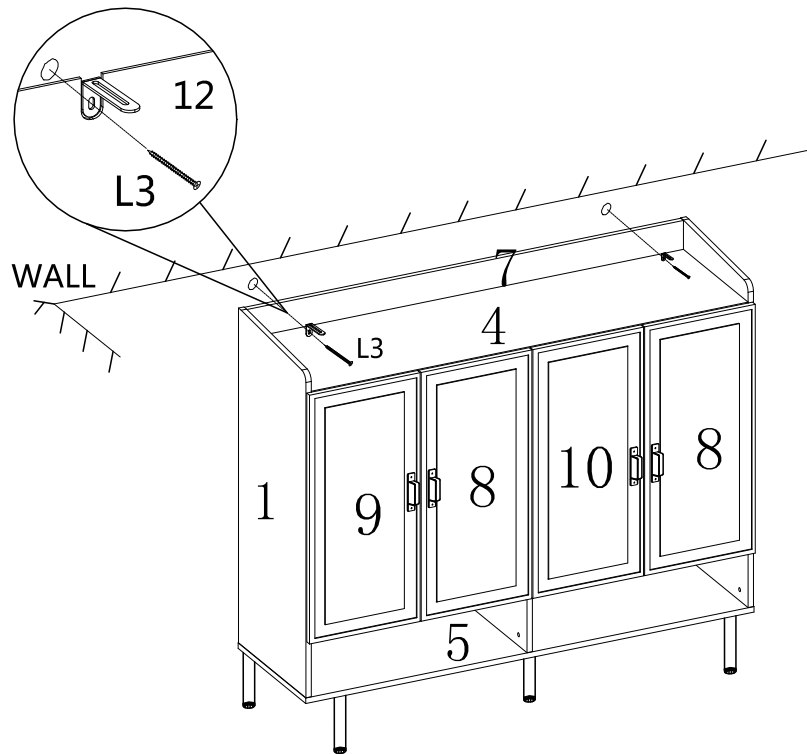
	J×24PCS
	M×24PCS


# STEP 19



	L2×2PCS
---	---------

# STEP 20



	L3×2PCS
---	---------

# END

