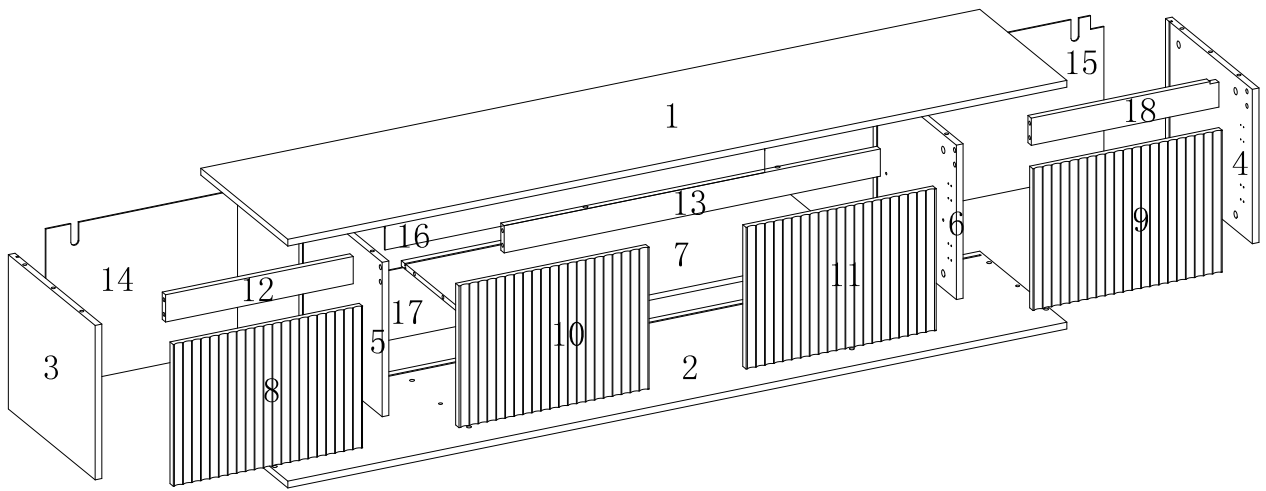
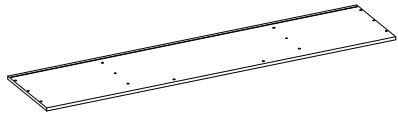
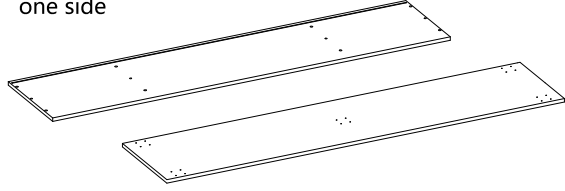
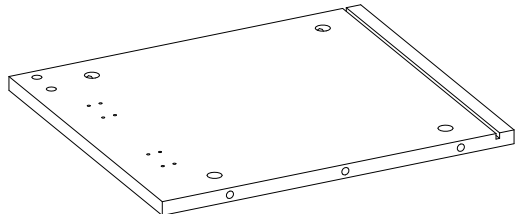
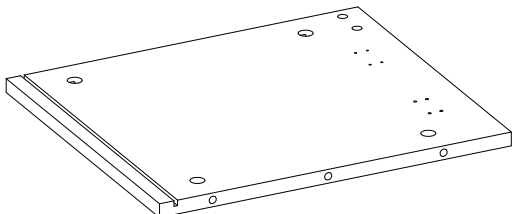
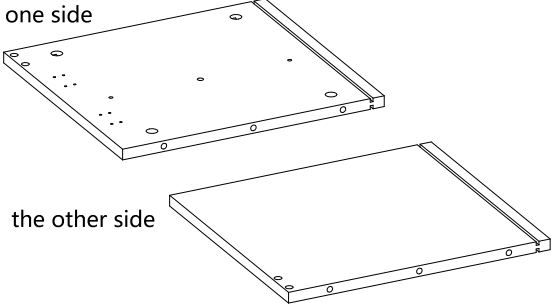
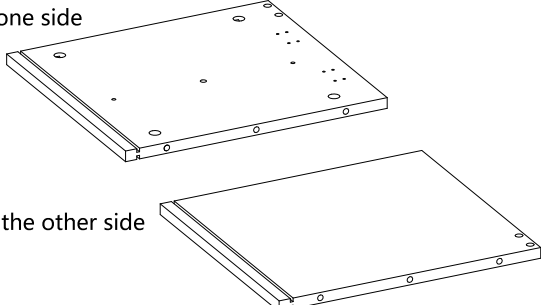
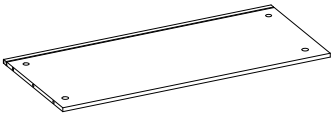
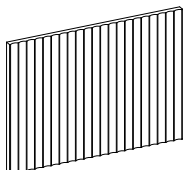
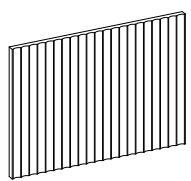
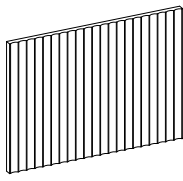


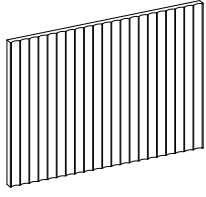
DS-TS008W



<p>A</p> <p>A1 A2</p> <p>30PCS</p>	<p>B</p> <p>B1 B2</p> <p>4PCS</p>	<p>C</p> <p>$\phi 8 \times 30\text{mm}$ 10PCS</p>	<p>D</p> <p>$\phi 3.5 \times 12\text{mm}$ 56PCS</p>	<p>E</p> <p>4PCS</p>	<p>F</p> <p>4PCS</p>	<p>G</p> <p>4PCS</p>	
<p>H</p> <p>H1 H2 H3 H4</p> <p>1PC</p>		<p>I</p> <p>34PCS</p>	<p>J</p> <p>16PCS</p>	<p>K</p> <p>5PCS</p>	<p>L</p> <p>L1 L2 L3 L4</p> <p>2PCS</p>		<p>M</p> <p>$\phi 3.5 \times 14\text{mm}$ 36PCS</p>

<p>1</p>  <p>1750*391*15mm 1PC</p>	<p>2</p> <p>one side</p>  <p>the other side</p> <p>1750*391*15mm 1PC</p>
<p>3</p>  <p>340*390*15mm 1PC</p>	<p>4</p>  <p>340*390*15mm 1PC</p>
<p>5</p> <p>one side</p>  <p>the other side</p> <p>340*374*15mm 1PC</p>	<p>6</p> <p>one side</p>  <p>the other side</p> <p>340*374*15mm 1PC</p>
<p>7</p>  <p>845*374*12mm 1PC</p>	<p>8</p>  <p>425*312*15mm 1PC</p>
<p>9</p>  <p>425*312*15mm 1PC</p>	<p>10</p>  <p>427*312*15mm 1PC</p>

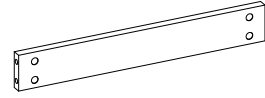
11



427*312*15mm

1PC

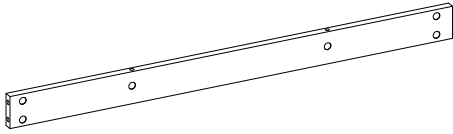
12



421.5*60*15mm

1PC

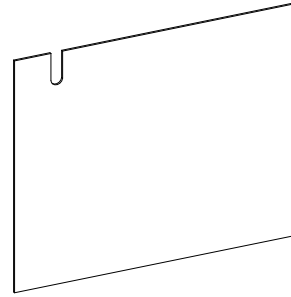
13



845*60*15mm

1PC

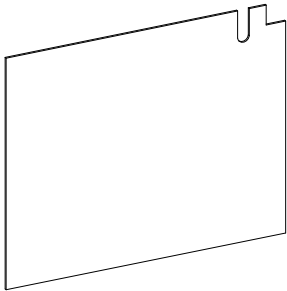
14



430.5*350*3mm

1PC

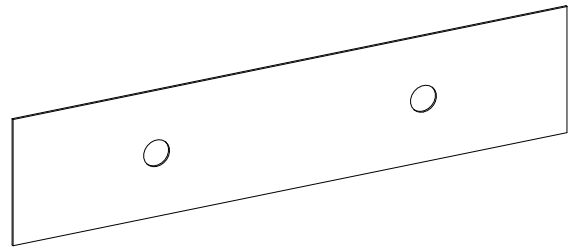
15



430.5*350*3mm

1PC

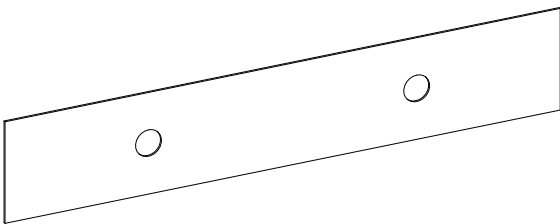
16



853*190.5*3mm

1PC

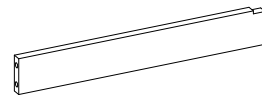
17



853*153.5*3mm

1PC

18



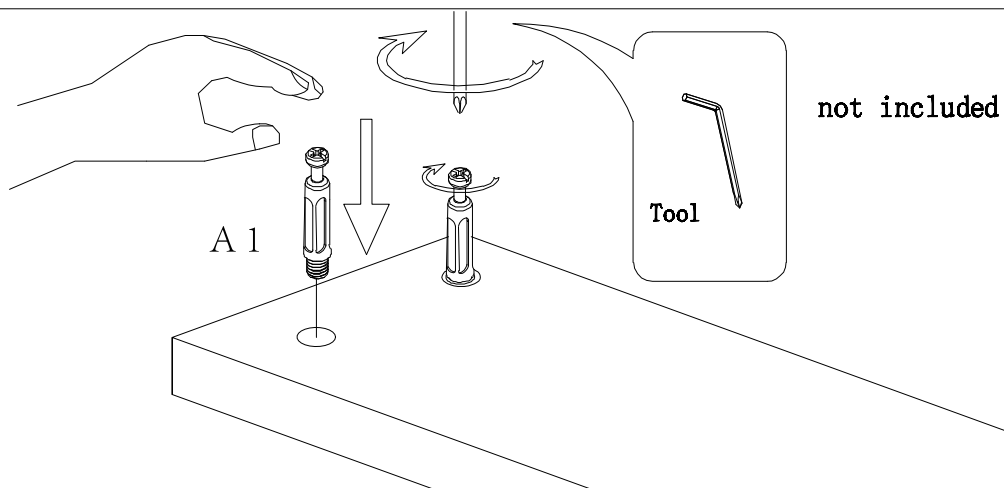
421.5*60*15mm

1PC

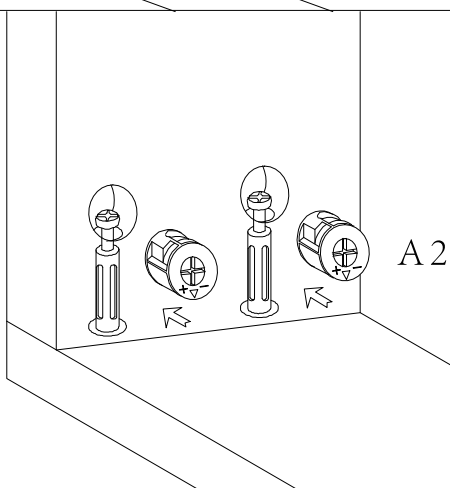
Hardware installation demonstration

NOTE: Please make sure
"A1" hardware tightened
and can't be pulled out!

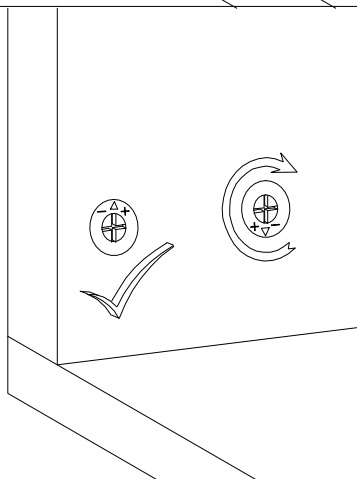
I



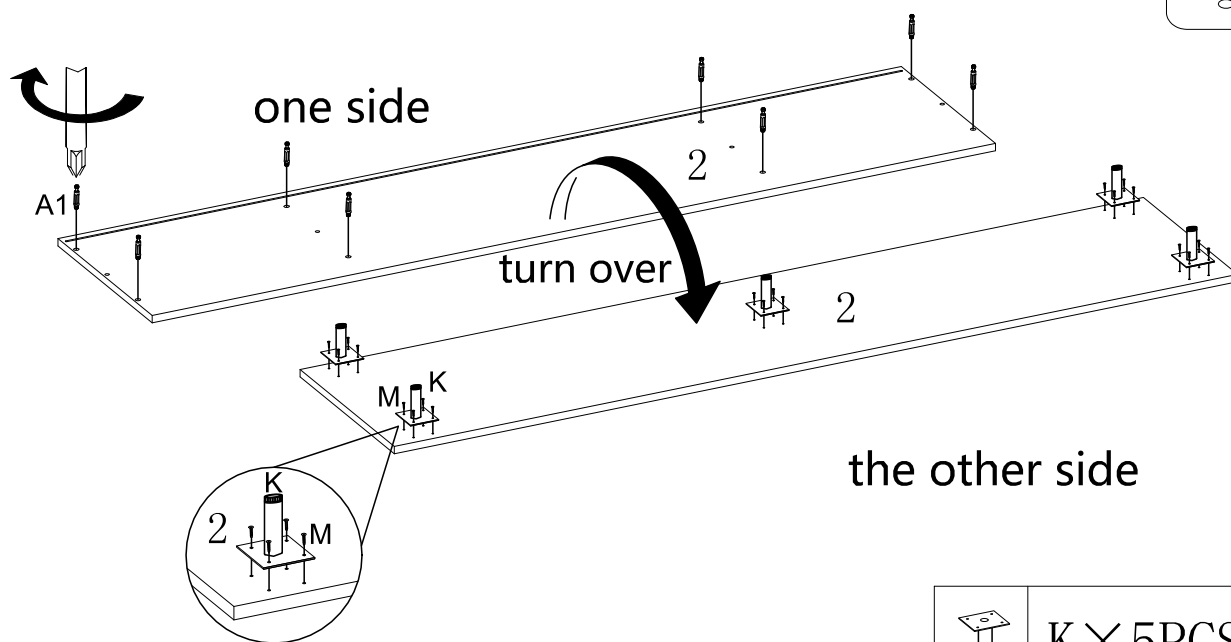
II






III

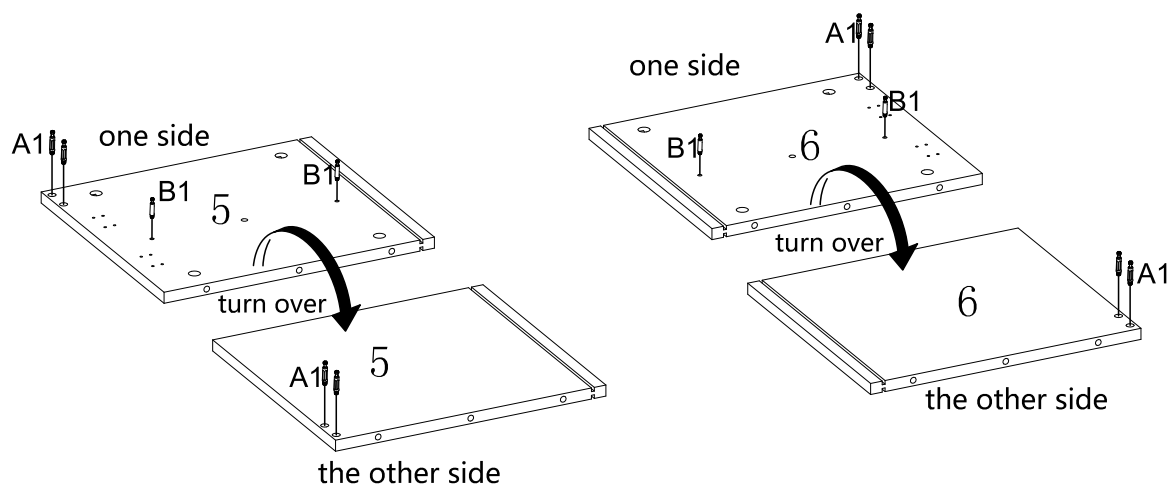




STEP 1



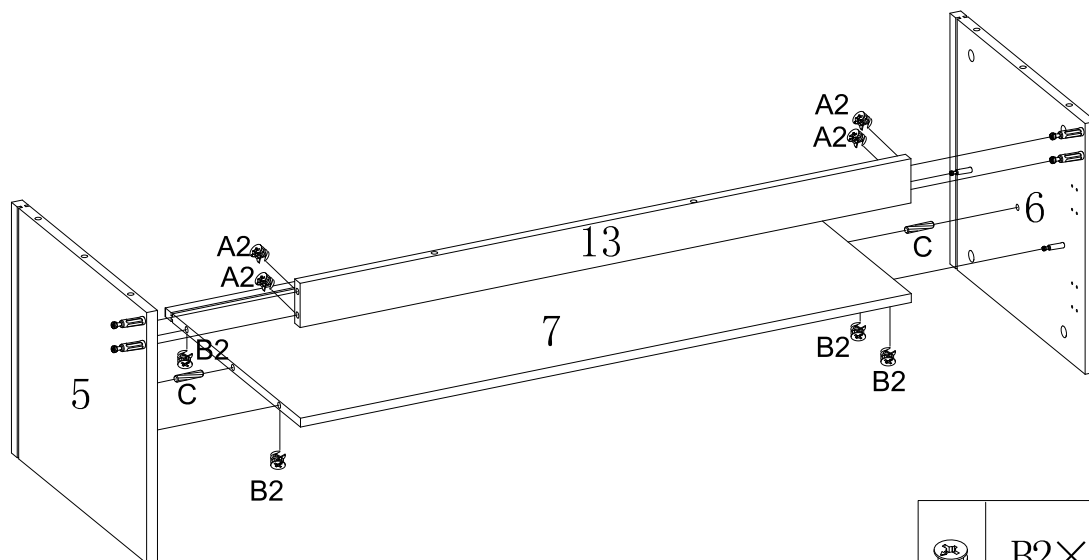
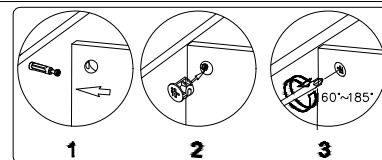
		K × 5PCS
	M × 20PCS	 A1 × 8PCS




STEP 2



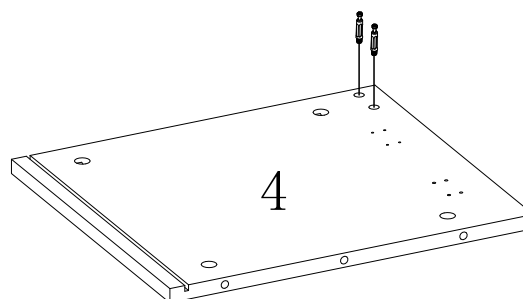
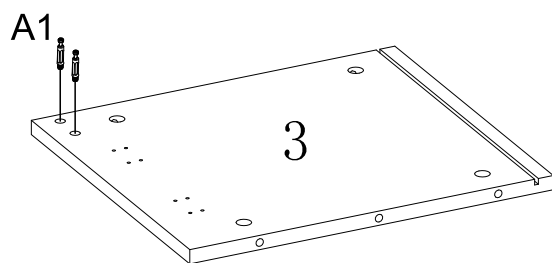
	A1 × 8PCS		B1 × 4PCS
---	-----------	---	-----------


STEP 3



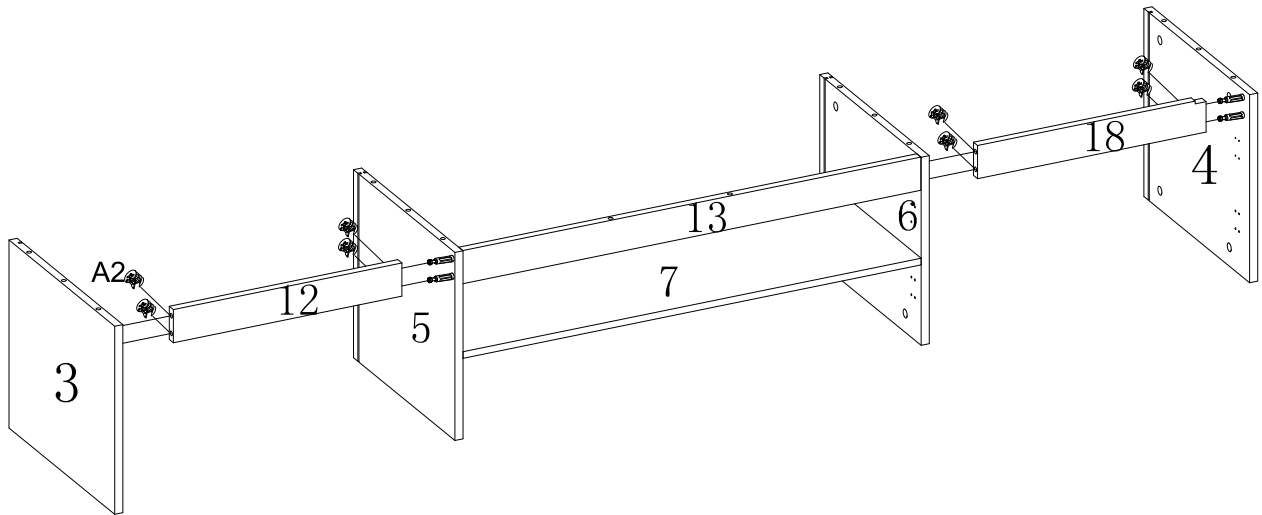
	C × 2PCS		B2 × 4PCS
			A2 × 4PCS


STEP 4



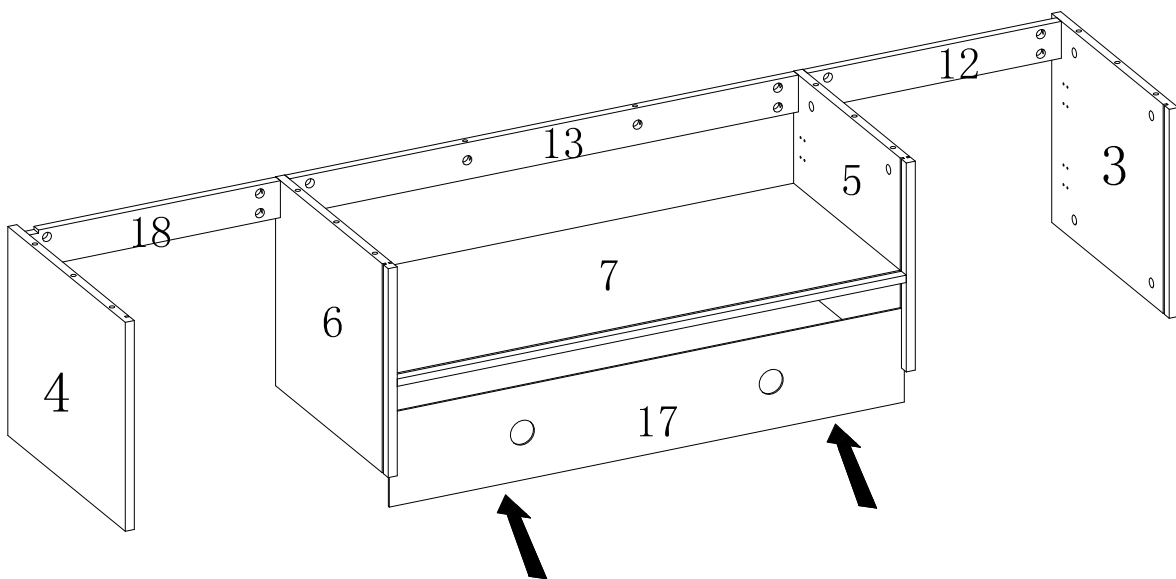
	A1 × 4PCS
---	-----------

STEP 5

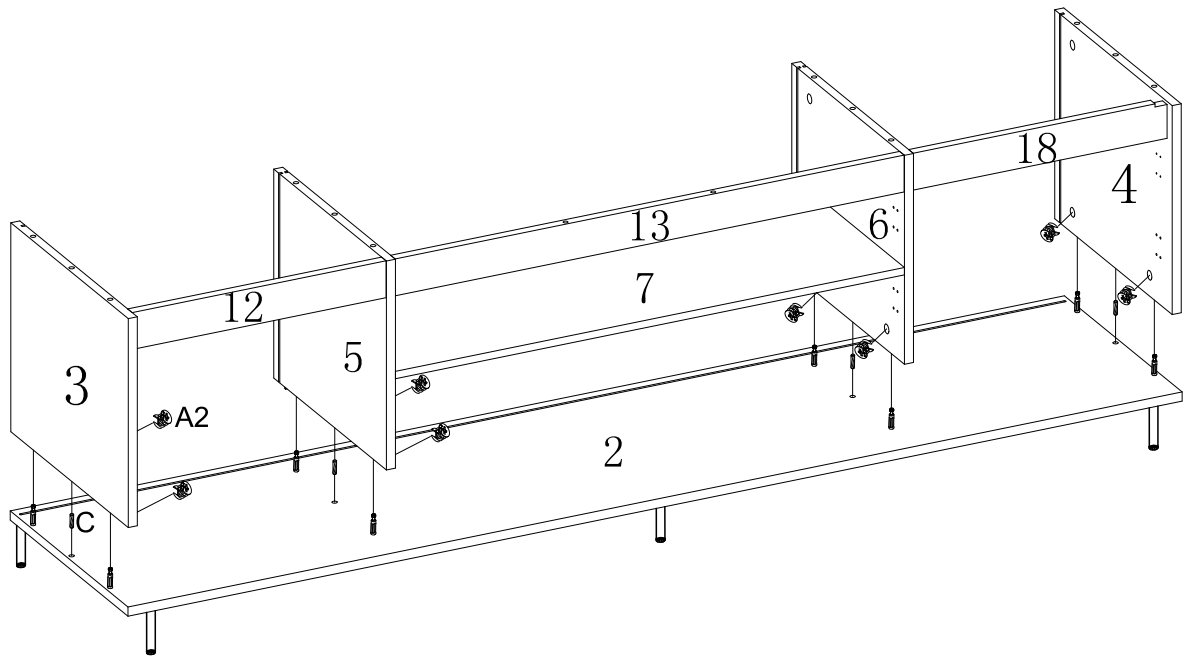




 A2× 8PCS

STEP 6

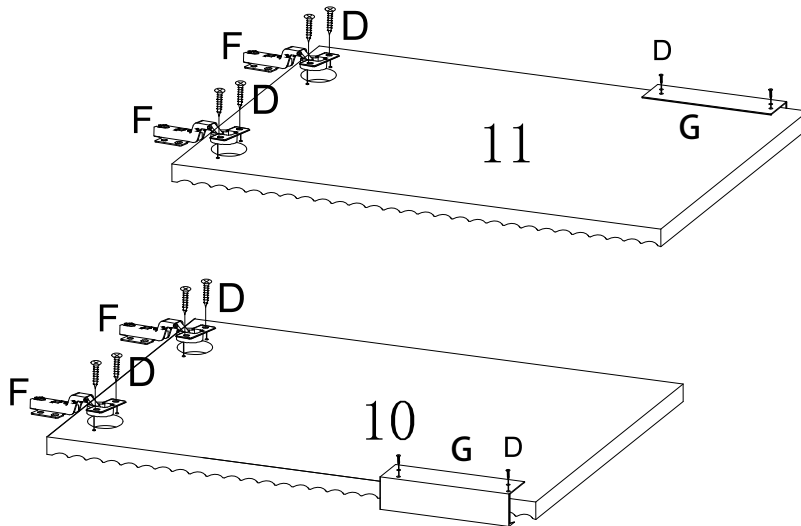





STEP 7



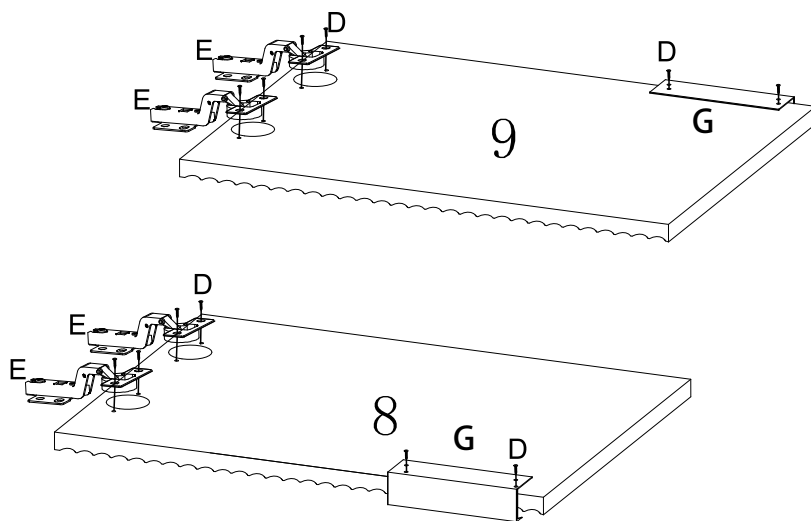
	C × 4PCS
	A2 × 8PCS




STEP 8



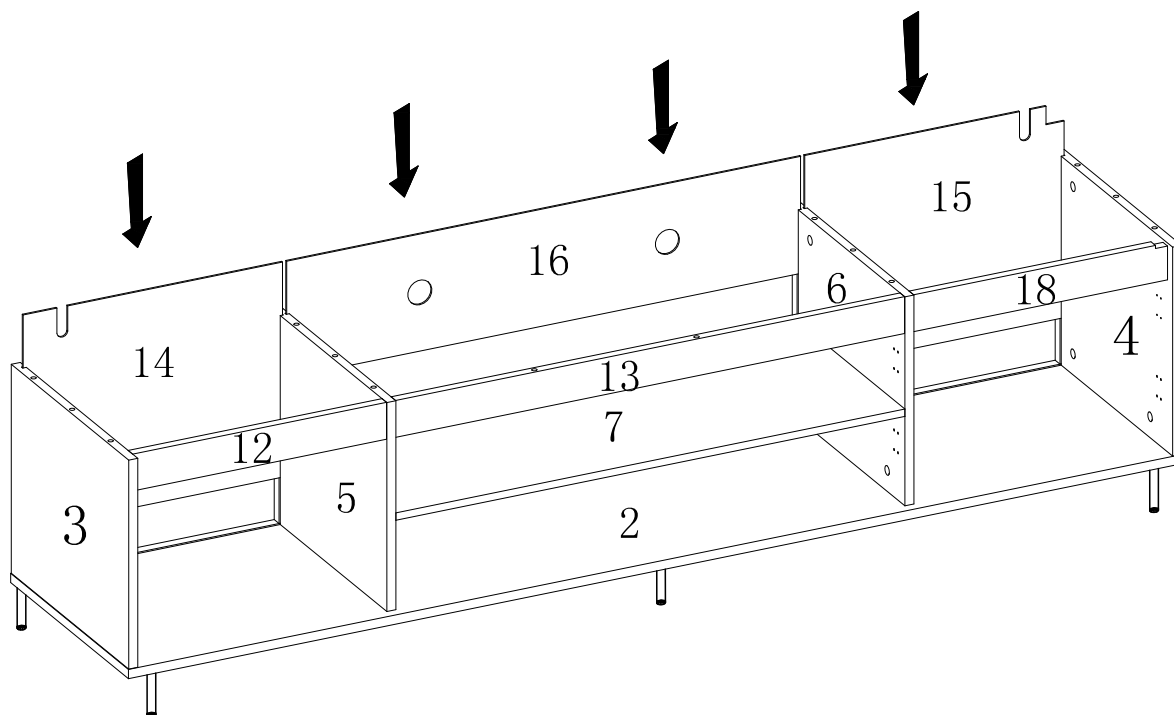
	F × 4PCS
	G × 2PCS
	D × 12PCS

STEP 9

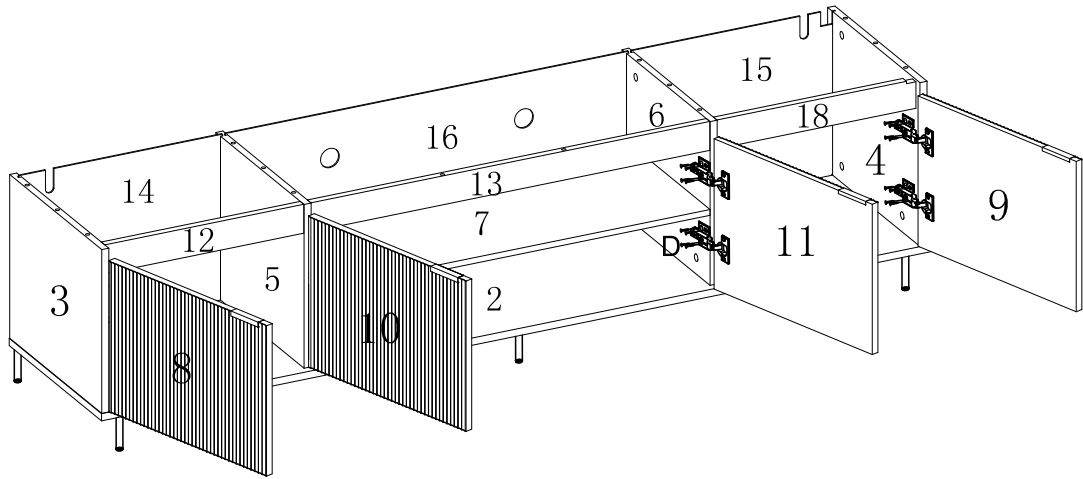



		E × 4PCS
	G × 2PCS	
		D × 12PCS

STEP 10

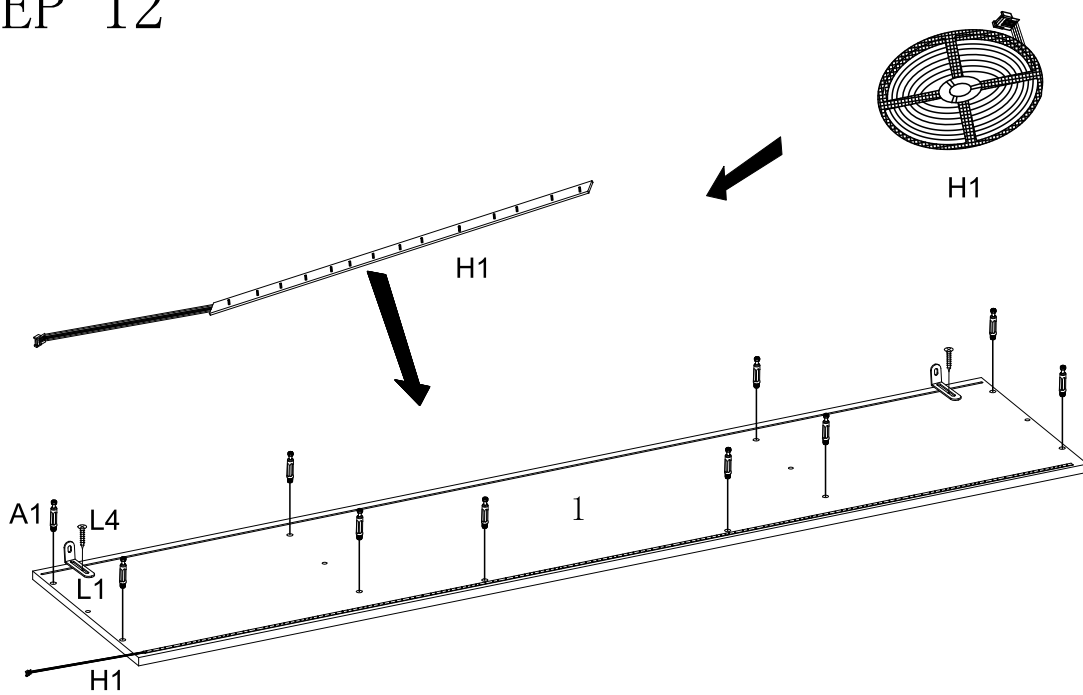






STEP 11



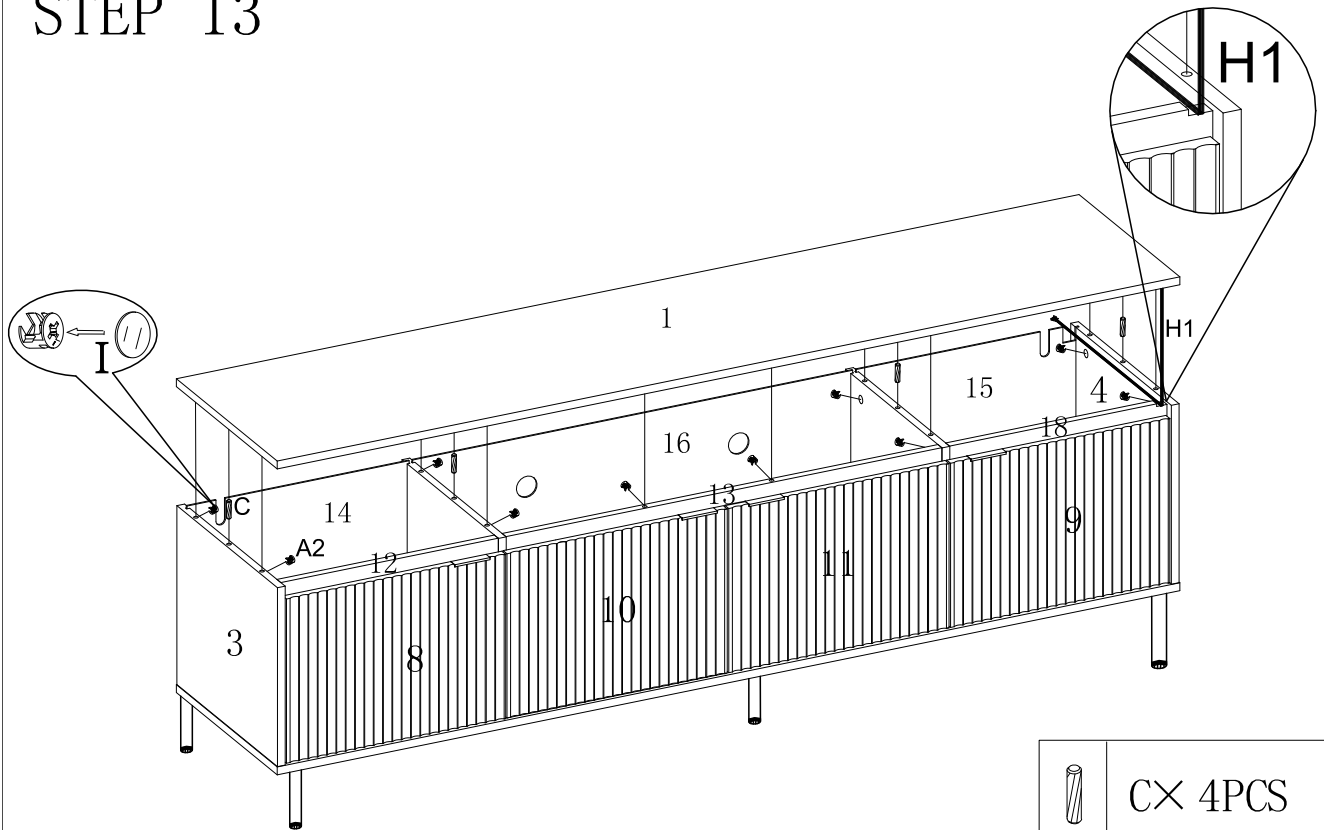
	D × 32PCS
---	-----------




STEP 12



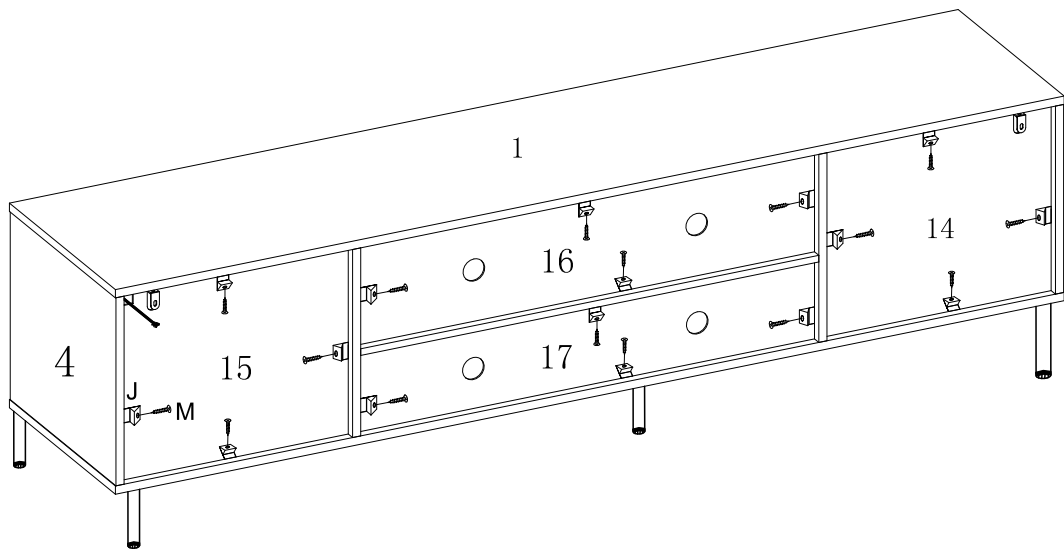
	L1 × 2PCS		H1 × 1PC
	L4 × 2PCS		A1 × 10PCS

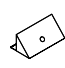
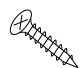
STEP 13



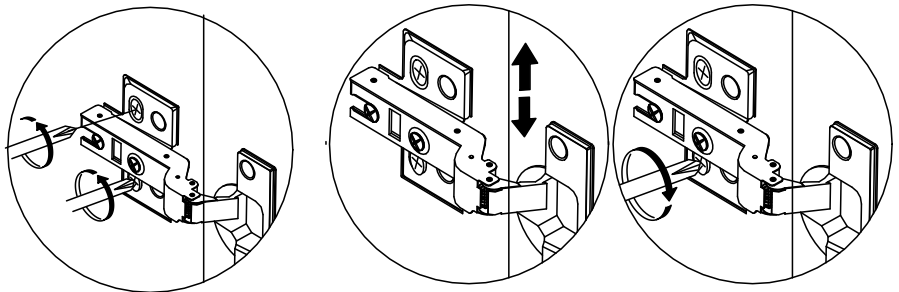
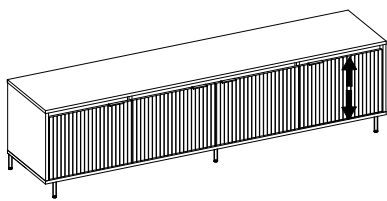
	C×4PCS
	I×34PCS
	A2×10PCS

STEP 14

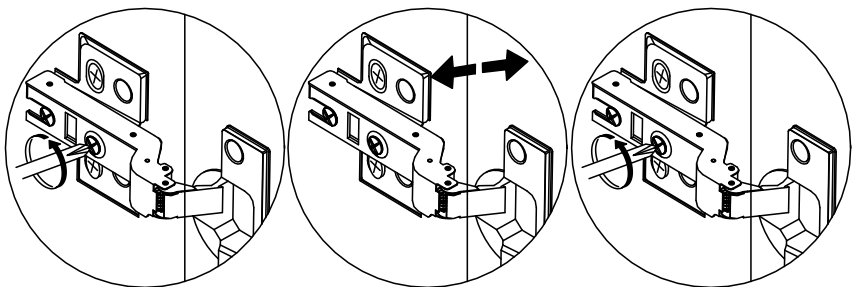
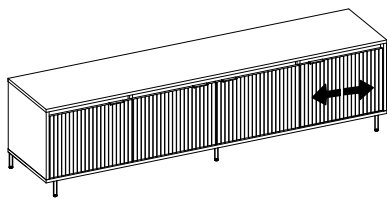


	J×16PCS
	M×16PCS

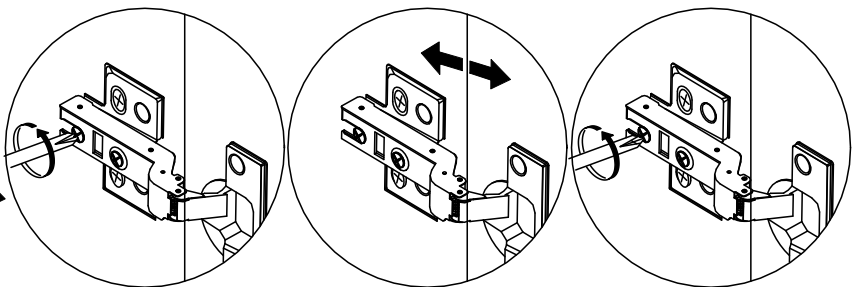
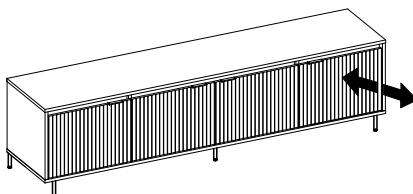
STEP 15



Cabinet door up and down fine adjustment

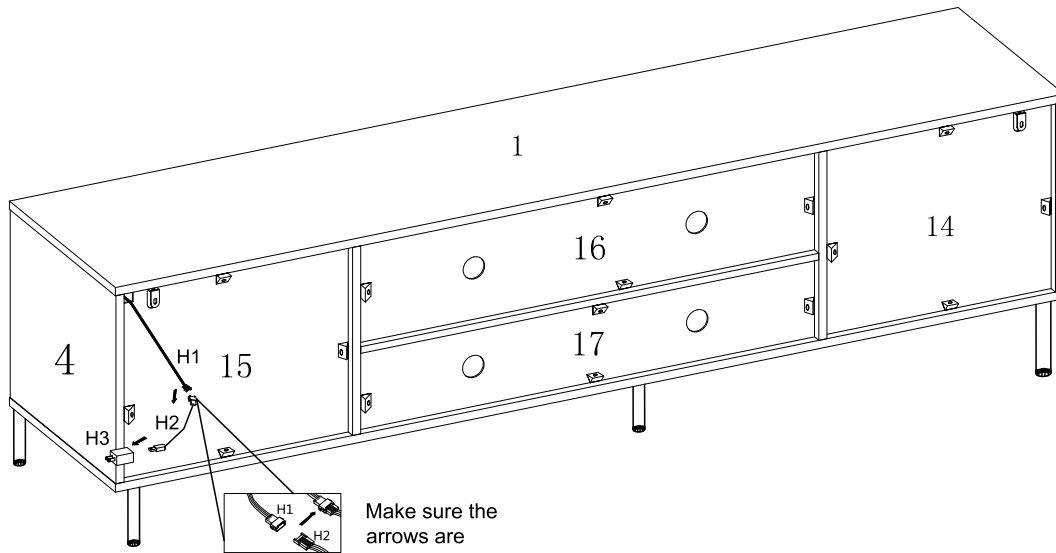


Cabinet door left and right fine adjustment



Fine-tune the gap after the cabinet door is closed

STEP 16






H1 and H2 are connected;
H2 and H3 are connected;

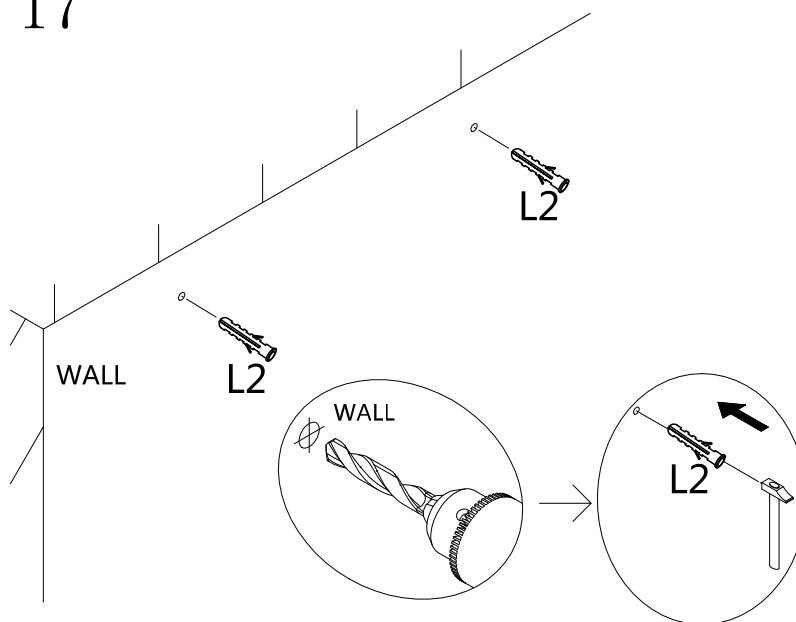
 H4


Last: lug the H3 into the power supply !
H4 can be adjusted !

Make sure the
arrows are
in the same
position !

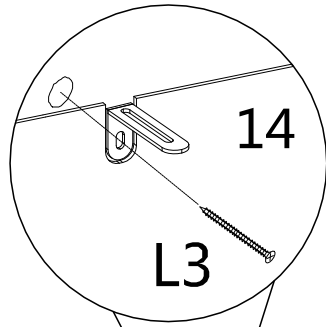
	H2×1 PC
	H4×1 PC
	H3×1 PC

STEP 17

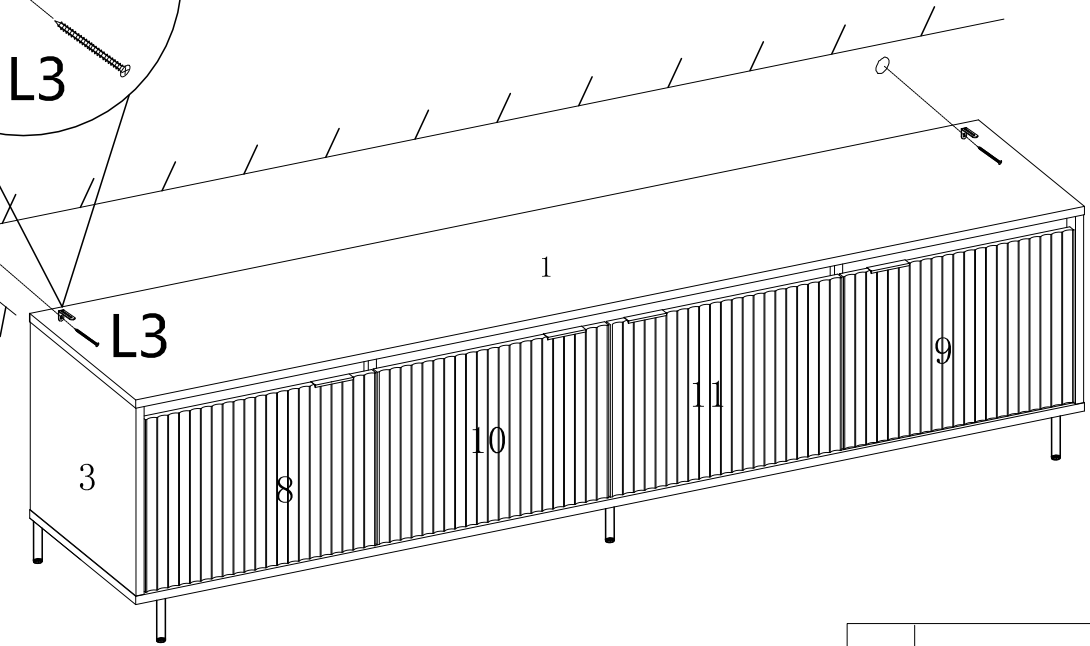



	L2×2PCS
---	---------

STEP 18



WALL



 L3×2PCS

END

