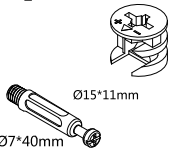
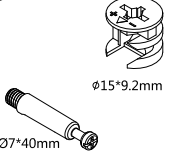
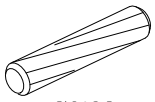
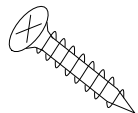
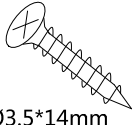
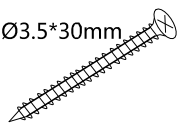
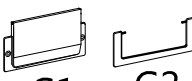
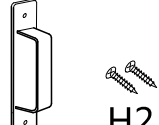
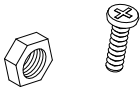
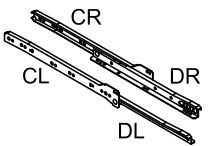

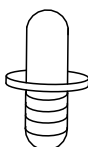

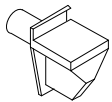

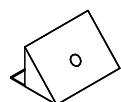
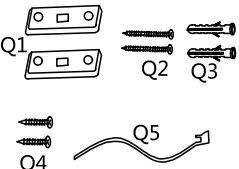

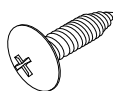
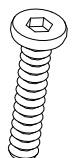
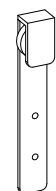
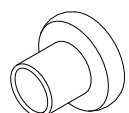
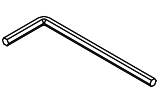
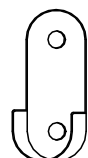
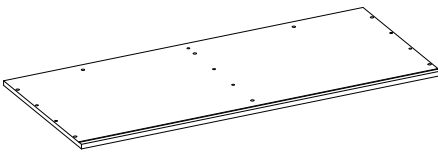
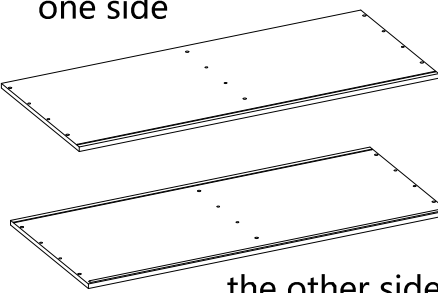
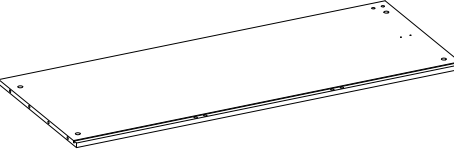
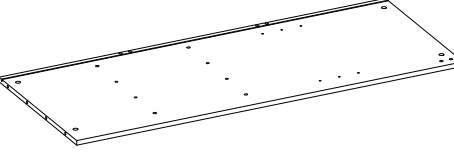
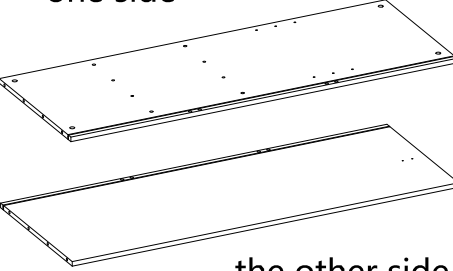
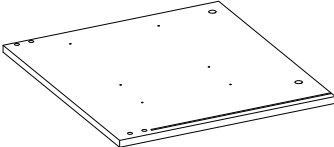
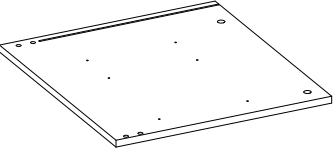
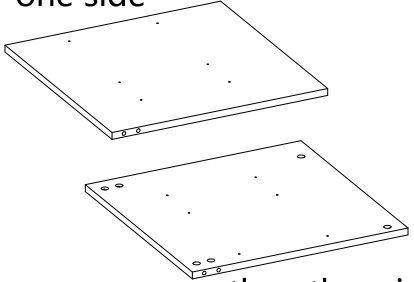
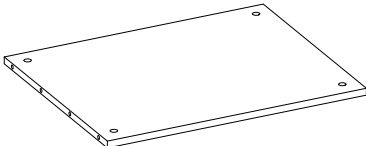
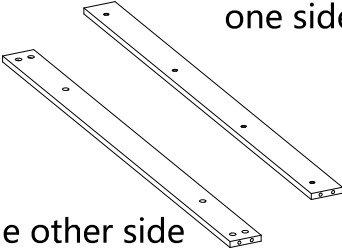
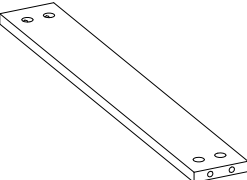
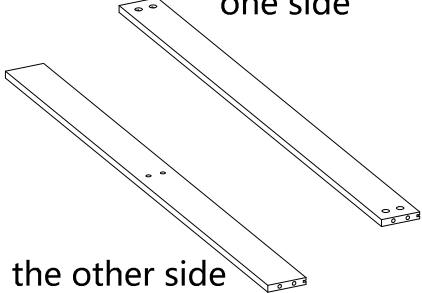
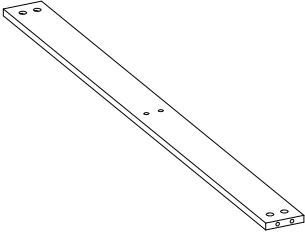
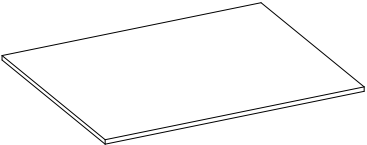
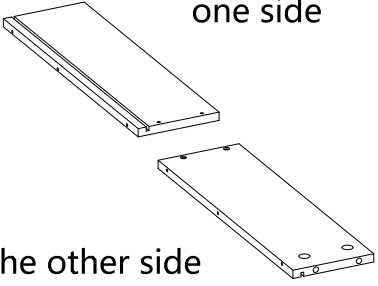
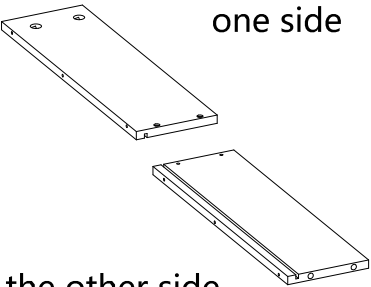
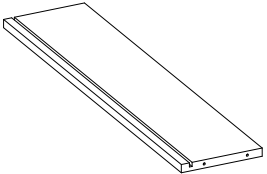
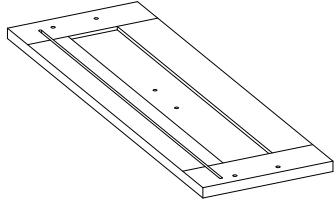
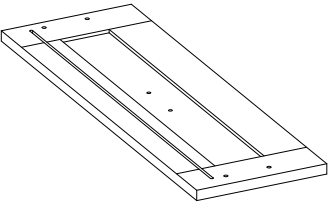
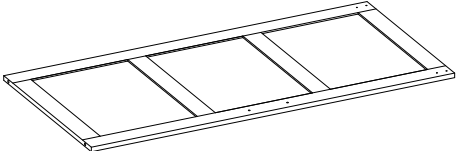
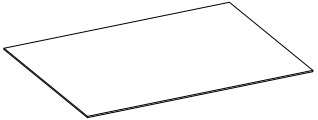
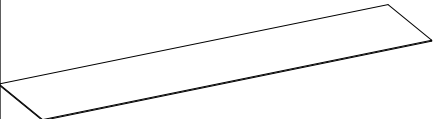
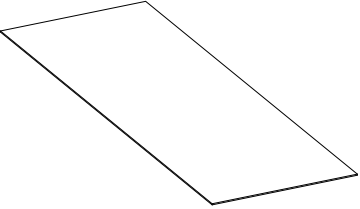



DS-L002W

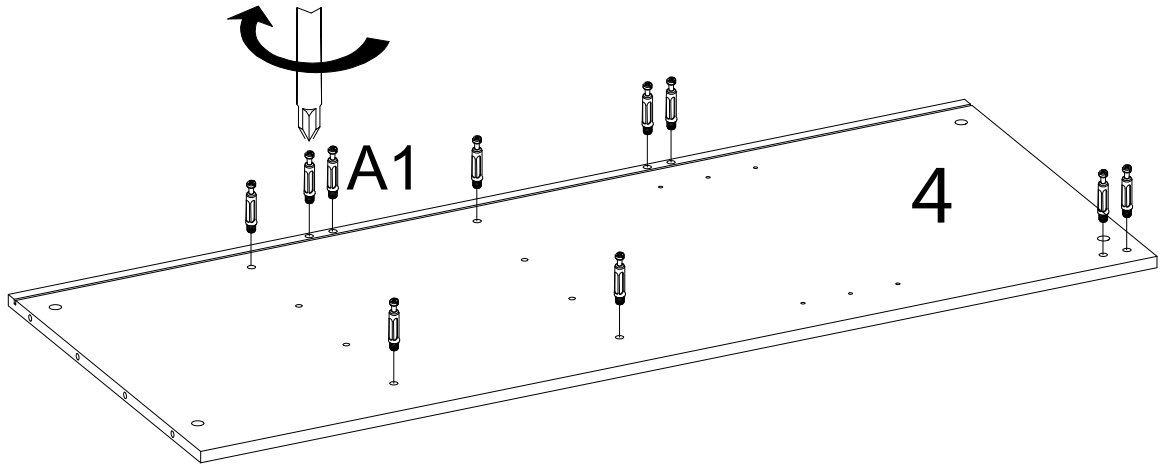
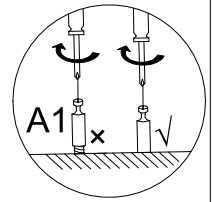
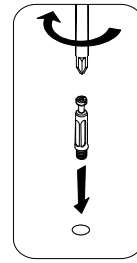



|                                                                                                                                            |                                                                                                                                             |                                                                                                                               |                                                                                                                                   |
|--------------------------------------------------------------------------------------------------------------------------------------------|---------------------------------------------------------------------------------------------------------------------------------------------|-------------------------------------------------------------------------------------------------------------------------------|-----------------------------------------------------------------------------------------------------------------------------------|
| <p><b>A</b></p>  <p>Ø15*11mm<br/>Ø7*40mm</p> <p>60PCS</p> | <p><b>B</b></p>  <p>Ø15*9.2mm<br/>Ø7*40mm</p> <p>16PCS</p> | <p><b>C</b></p>  <p>Ø8*30mm</p> <p>27PCS</p> | <p><b>D</b></p>  <p>Ø3.5*12mm</p> <p>24PCS</p> |
| <p><b>E</b></p>  <p>Ø3.5*14mm</p> <p>56PCS</p>            | <p><b>F</b></p>  <p>Ø3.5*30mm</p> <p>16PCS</p>             | <p><b>G</b></p>  <p>G1 G2</p> <p>4PCS</p>   | <p><b>H</b></p>  <p>H1 H2</p> <p>1PC</p>       |
| <p><b>I</b></p>  <p>I1 I2</p> <p>8PCS</p>                 | <p><b>J</b></p>  <p>CR CL DR DL</p> <p>L=400mm 4PCS</p>    | <p><b>K</b></p>  <p>L=1164mm 1PC</p>        |                                                                                                                                   |
| <p><b>L</b></p>  <p>2PCS</p>                            | <p><b>M</b></p>  <p>L=570mm 1PC</p>                      | <p><b>N</b></p>  <p>4PCS</p>               | <p><b>O</b></p>  <p>10PCS</p>                |
| <p><b>P</b></p>  <p>28PCS</p>                           | <p><b>Q</b></p>  <p>Q1 Q2 Q3 Q4 Q5</p> <p>2PCS</p>       | <p><b>R</b></p>  <p>76PCS</p>            |                                                                                                                                   |
| <p><b>S</b></p>  <p>4PCS</p>                            | <p><b>T</b></p>  <p>4PCS</p>                             | <p><b>U</b></p>  <p>2PCS</p>             |                                                                                                                                   |
| <p><b>V</b></p>  <p>4PCS</p>                            | <p><b>W</b></p>  <p>1PC</p>                              | <p><b>X</b></p>  <p>2PCS</p>             |                                                                                                                                   |

|                                                                                                                                                             |                                                                                                                                                               |                                                                                                                                                               |
|-------------------------------------------------------------------------------------------------------------------------------------------------------------|---------------------------------------------------------------------------------------------------------------------------------------------------------------|---------------------------------------------------------------------------------------------------------------------------------------------------------------|
| <p>1</p>  <p>1200*520*15mm 1PC</p>                                         | <p>2</p> <p>one side</p>  <p>the other side</p> <p>1200*520*15mm 1PC</p>    | <p>3</p>  <p>1290*519*15mm 1PC</p>                                         |
| <p>4</p>  <p>1290*519*15mm 1PC</p>                                          | <p>5</p> <p>one side</p>  <p>the other side</p> <p>1290*478.5*15mm 1PC</p> | <p>6</p>  <p>480*519*15mm 1PC</p>                                          |
| <p>7</p>  <p>480*519*15mm 1PC</p>                                        | <p>8</p> <p>one side</p>  <p>the other side</p> <p>480*476.5*15mm 1PC</p>  | <p>9</p>  <p>576.5*457.5*15mm 2PCS</p>                                   |
| <p>10</p> <p>one side</p>  <p>the other side</p> <p>1168*80*15mm 1PC</p> | <p>11</p>  <p>576.5*80*15mm 4PCS</p>                                       | <p>12</p> <p>one side</p>  <p>the other side</p> <p>1168*85*15mm 1PC</p> |

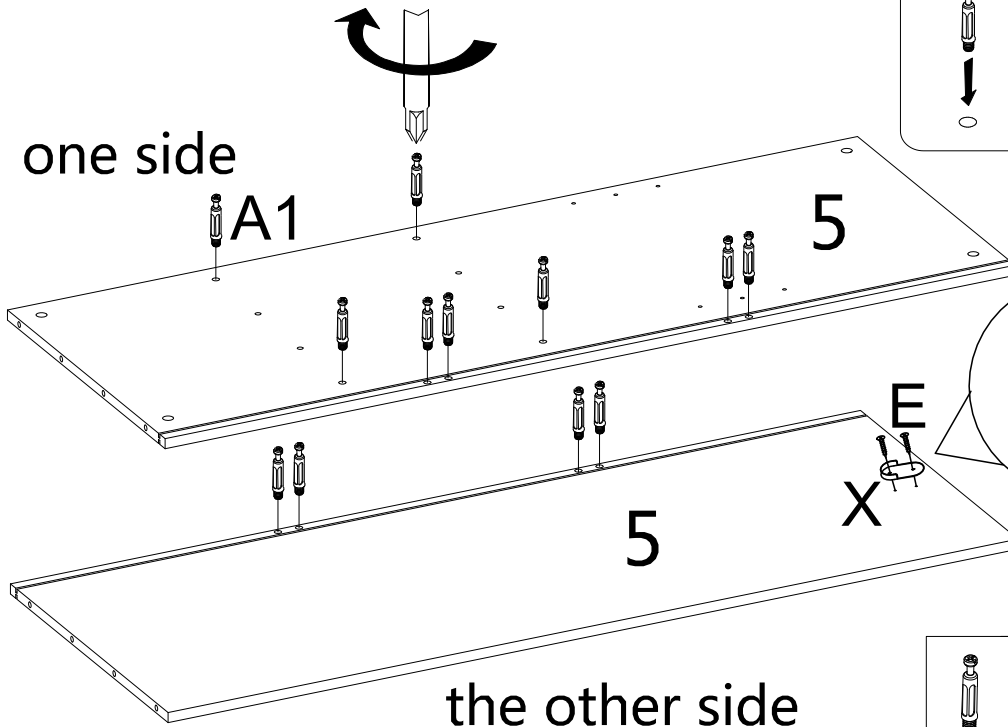
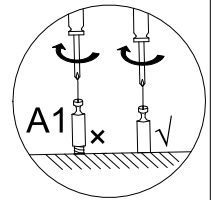
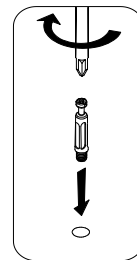
|                                                                                                                         |                                                                                                                         |                                                                                                                           |
|-------------------------------------------------------------------------------------------------------------------------|-------------------------------------------------------------------------------------------------------------------------|---------------------------------------------------------------------------------------------------------------------------|
| <p>13</p>  <p>1168*85*15mm 1PC</p>     | <p>14</p>  <p>574.5*456.5*12mm 1PC</p> | <p>15</p>  <p>400*120*12mm 4PCS</p>    |
| <p>16</p>  <p>400*120*12mm 4PCS</p>   | <p>17</p>  <p>527.5*120*12mm 4PCS</p>  | <p>18</p>  <p>580*193*15mm 2PCS</p>   |
| <p>19</p>  <p>580*193*15mm 2PCS</p>  | <p>20</p>  <p>1213*585*15mm 1PC</p> | <p>21</p>  <p>537.5*397*3mm 4PCS</p> |
| <p>22</p>  <p>1299*291.5*3mm 4PCS</p> | <p>23</p>  <p>404*1178*3mm 1PC</p>   | <p>24</p>  <p>L=1288mm 2PCS</p>      |


# STEP 1





|                                                                                       |            |
|---------------------------------------------------------------------------------------|------------|
|  | A1 × 10PCS |
|---------------------------------------------------------------------------------------|------------|

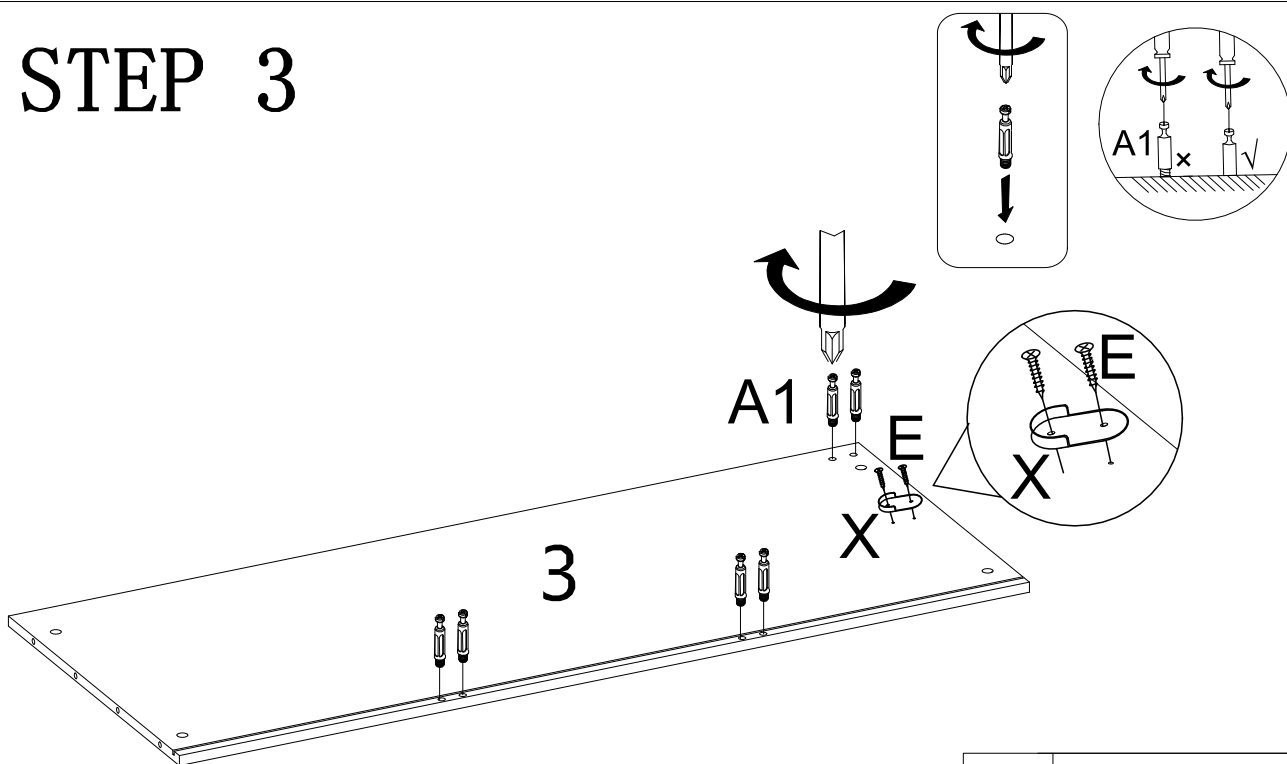
# STEP 2






|                                                                                       |            |
|---------------------------------------------------------------------------------------|------------|
|  | A1 × 12PCS |
|---------------------------------------------------------------------------------------|------------|

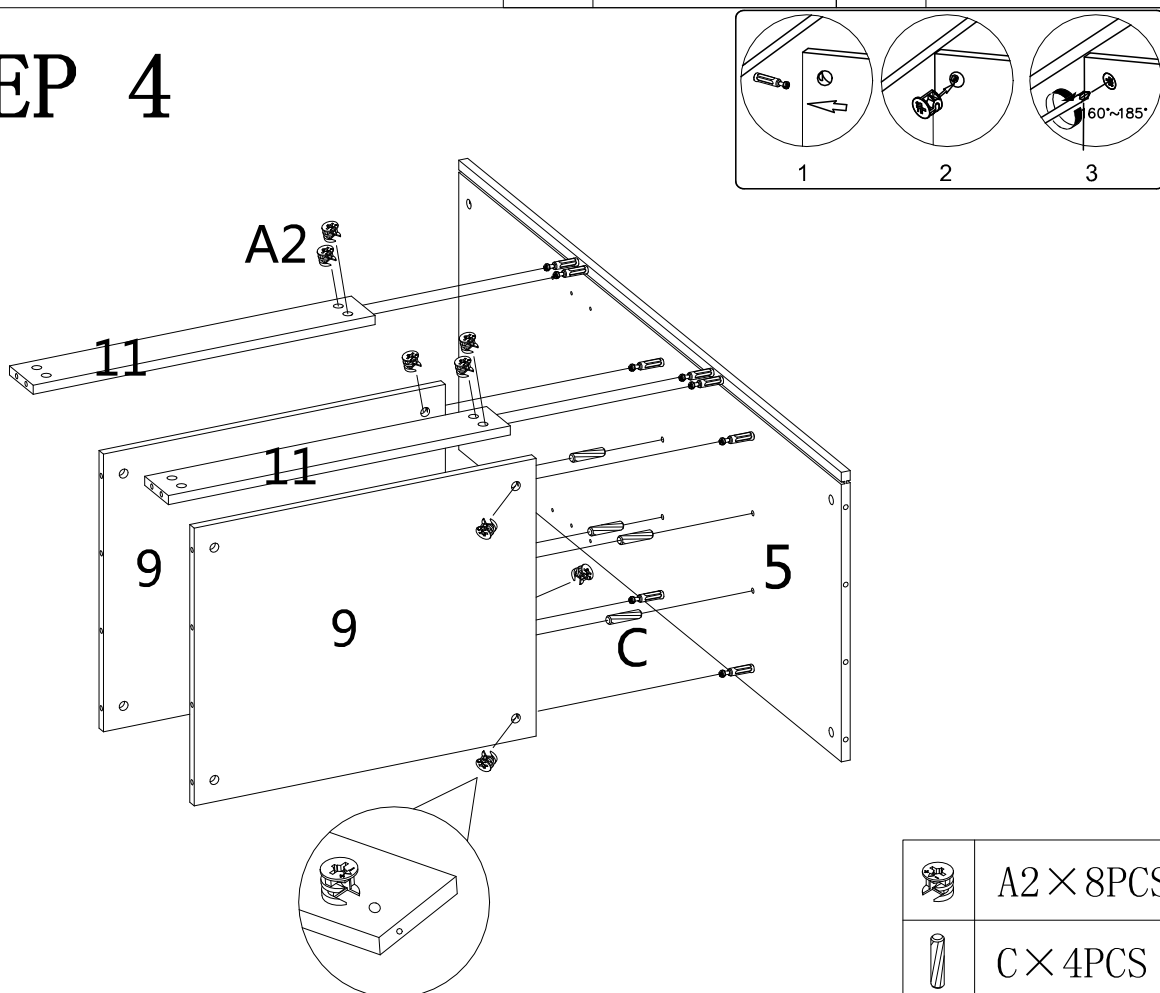
|                                                                                     |          |                                                                                       |         |
|-------------------------------------------------------------------------------------|----------|---------------------------------------------------------------------------------------|---------|
|  | E × 2PCS |  | X × 1PC |
|-------------------------------------------------------------------------------------|----------|---------------------------------------------------------------------------------------|---------|



# STEP 3



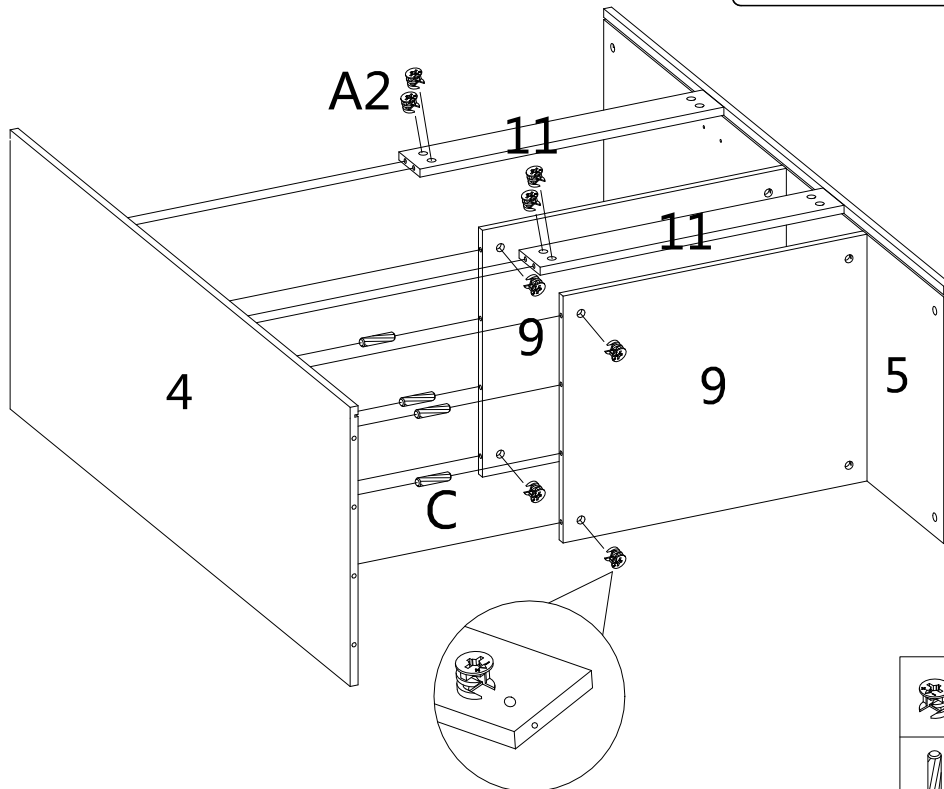
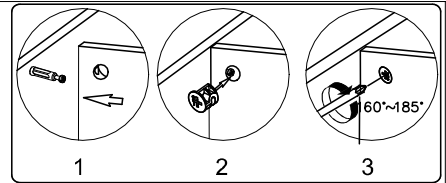
|                                                                                       |           |
|---------------------------------------------------------------------------------------|-----------|
|    | A1 × 6PCS |
|    | E × 2PCS  |
|  | X × 1PC   |



# STEP 4



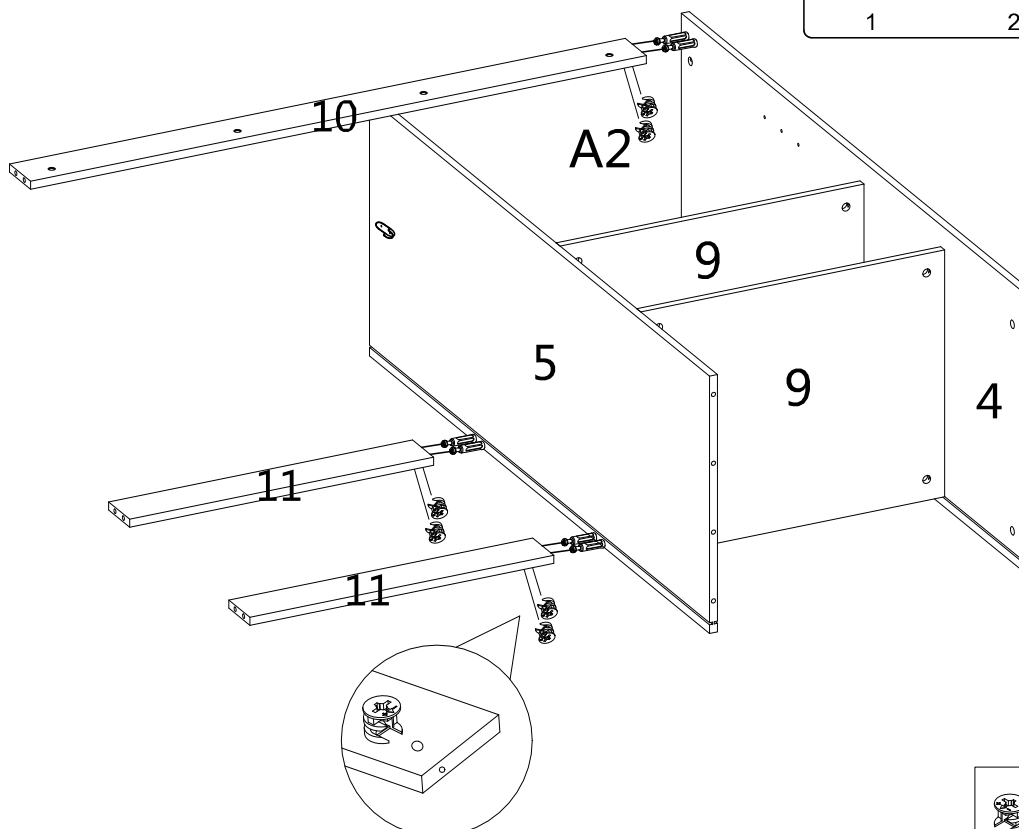
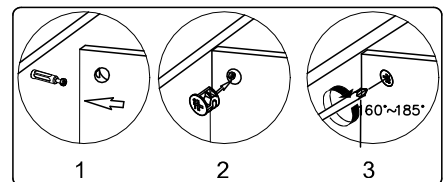
|                                                                                       |           |
|---------------------------------------------------------------------------------------|-----------|
|  | A2 × 8PCS |
|  | C × 4PCS  |


# STEP 5



|                                                                                       |           |
|---------------------------------------------------------------------------------------|-----------|
|   | A2 × 8PCS |
|  | C × 4PCS  |

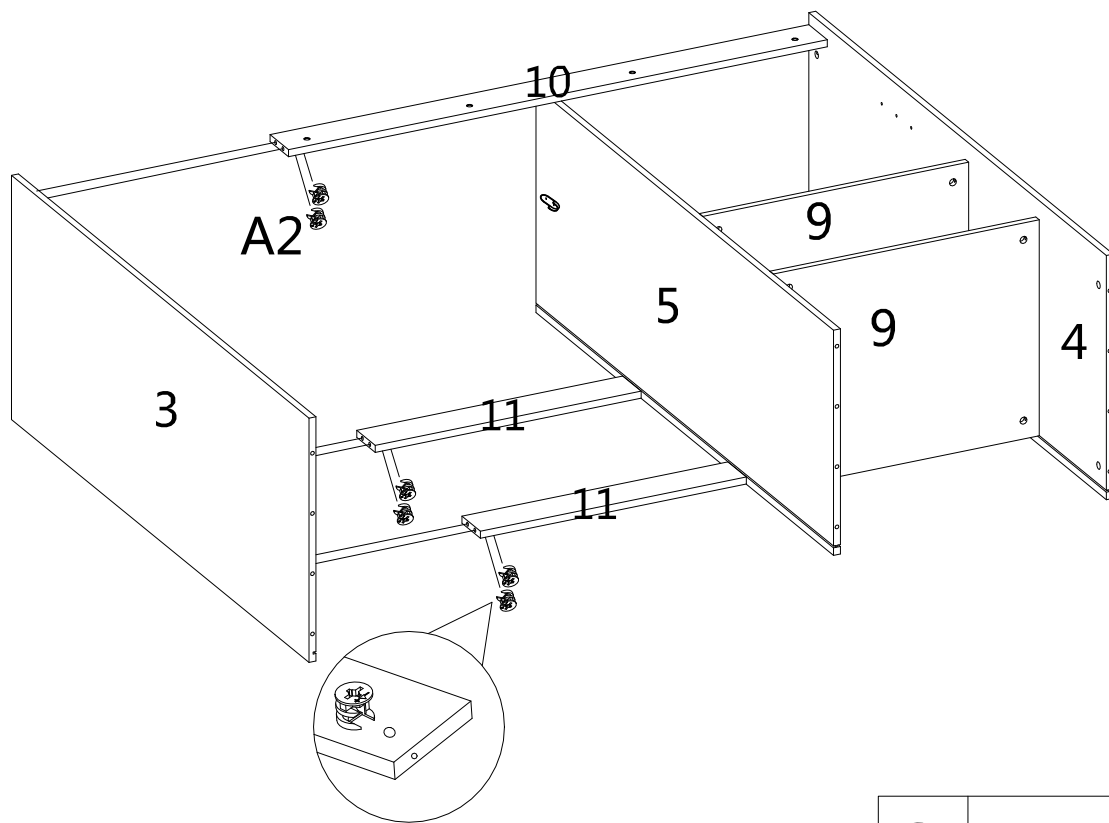
# STEP 6




|                                                                                       |           |
|---------------------------------------------------------------------------------------|-----------|
|  | A2 × 6PCS |
|---------------------------------------------------------------------------------------|-----------|

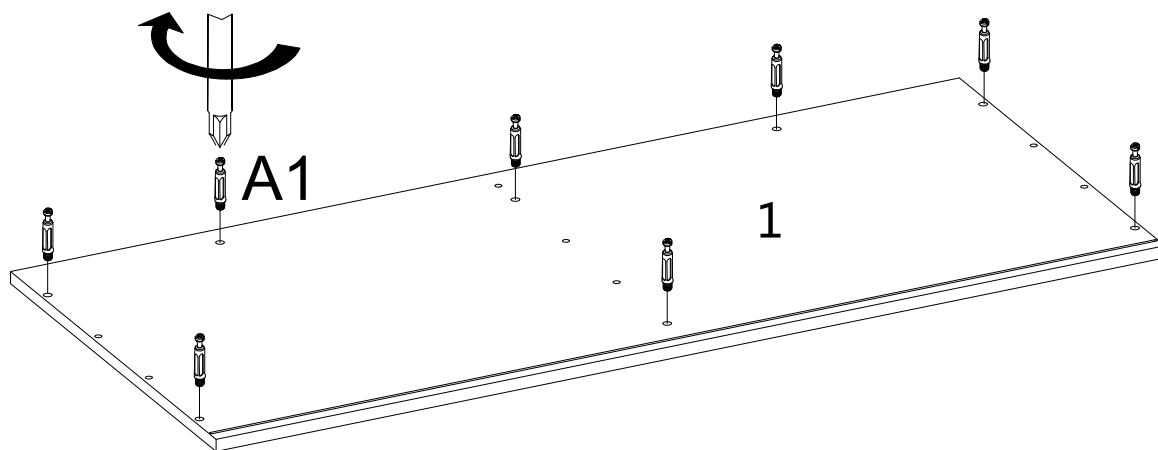


# STEP 7



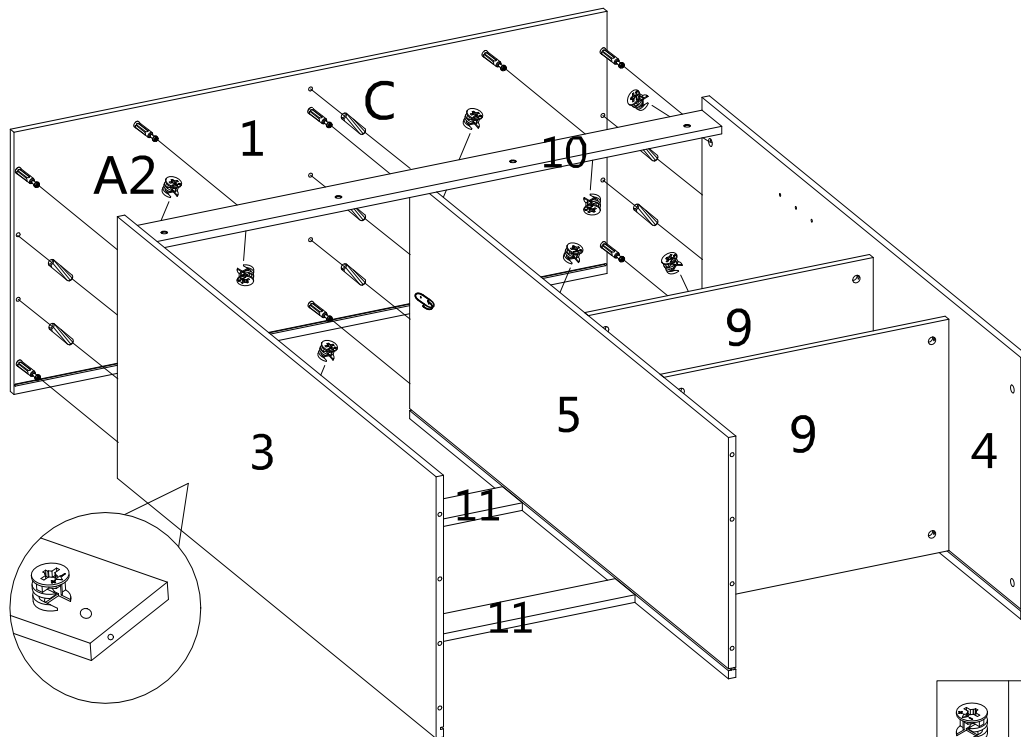
 A2 × 6PCS



# STEP 8



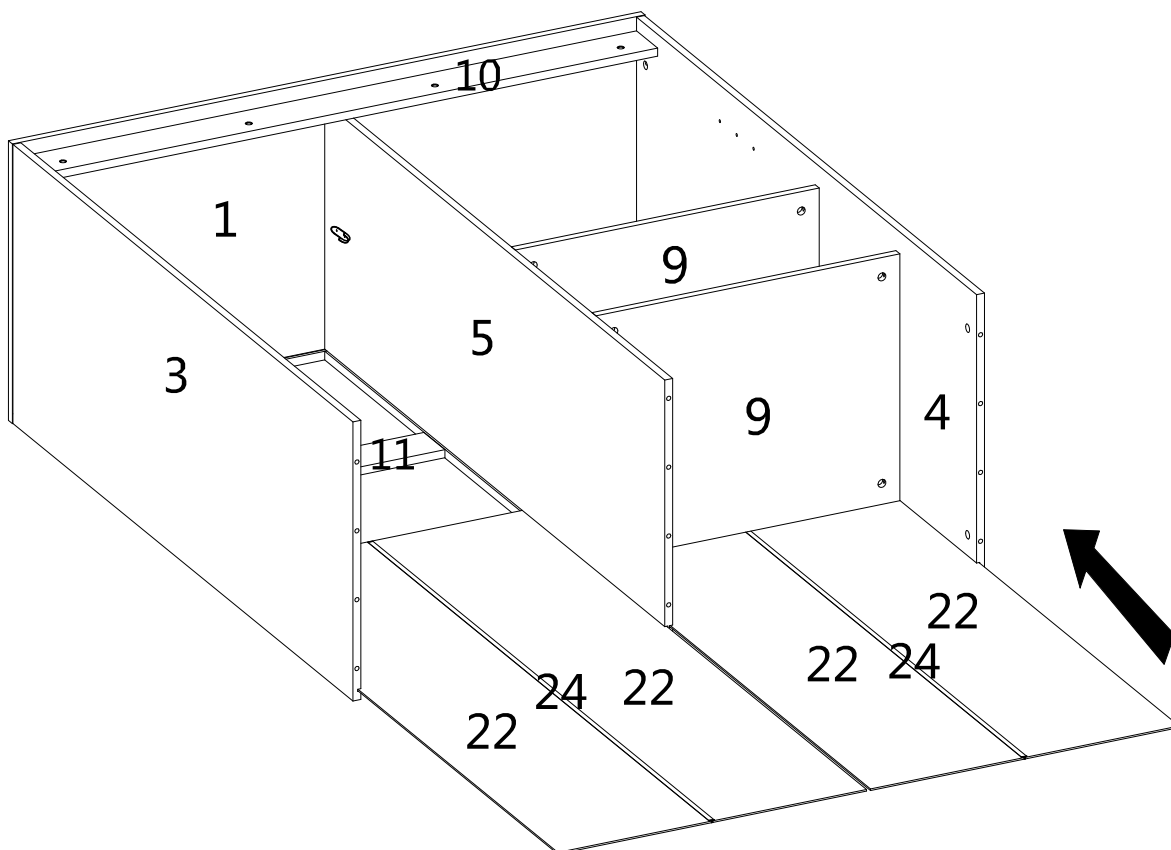
 A1 × 8PCS

# STEP 9

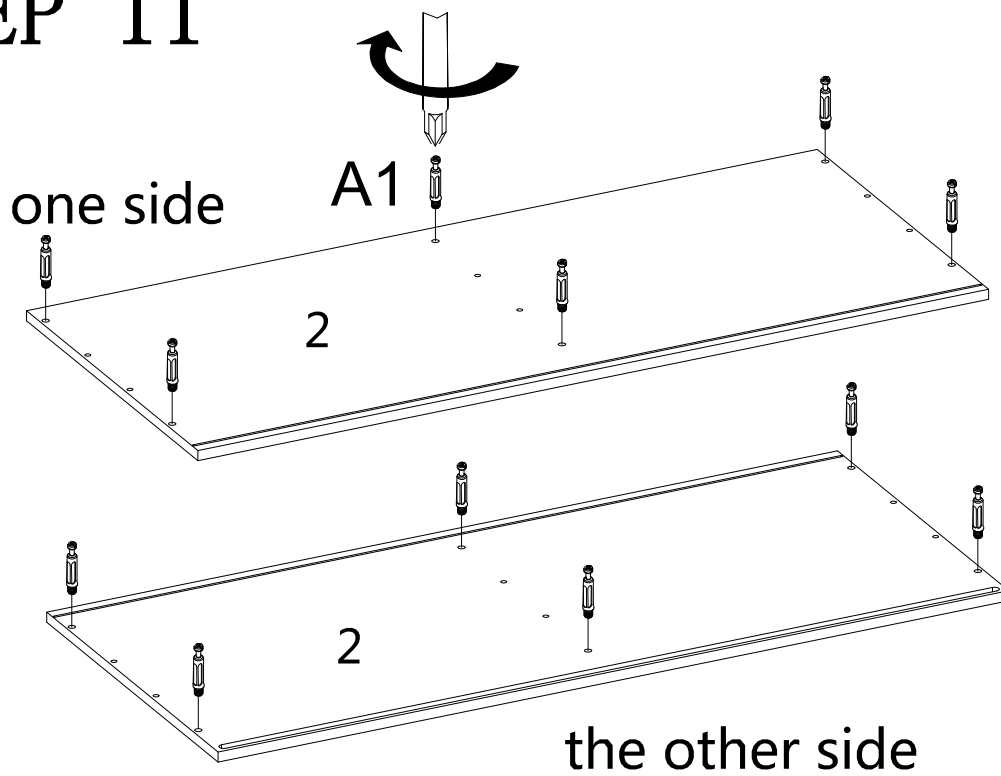


|                                                                                       |           |
|---------------------------------------------------------------------------------------|-----------|
|   | A2 × 8PCS |
|  | C × 7PCS  |

# STEP 10

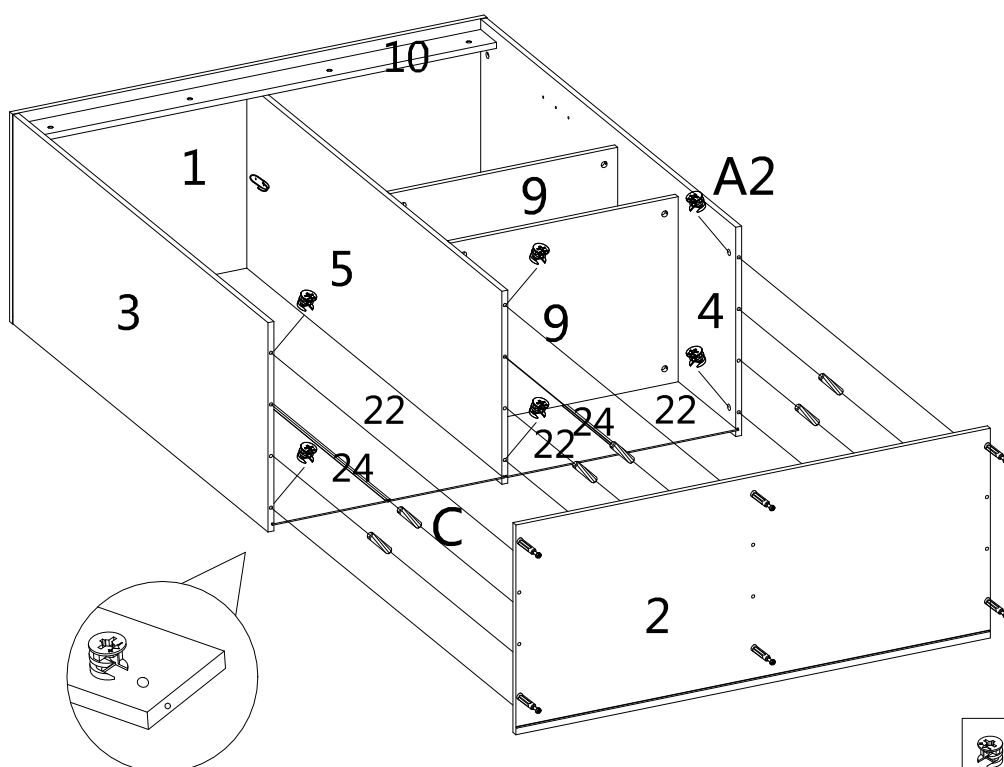




# STEP 11



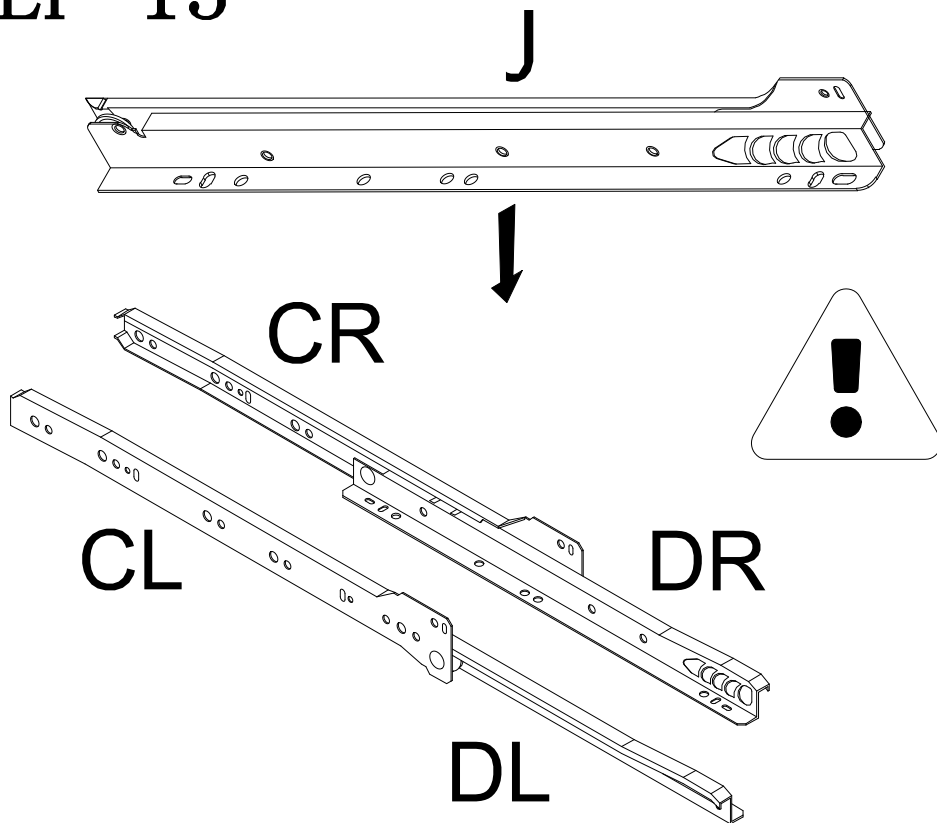
|                                                                                       |            |
|---------------------------------------------------------------------------------------|------------|
|  | A1 × 12PCS |
|---------------------------------------------------------------------------------------|------------|

# STEP 12

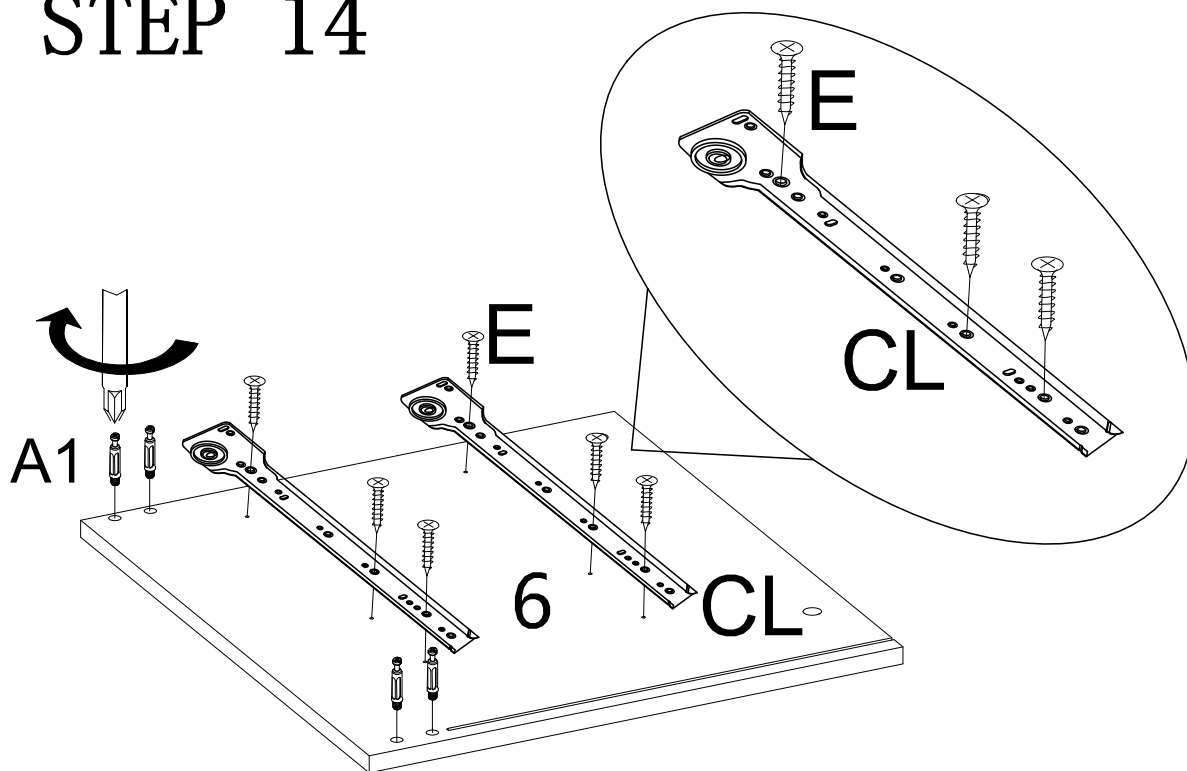





|                                                                                       |           |
|---------------------------------------------------------------------------------------|-----------|
|  | A2 × 6PCS |
|  | C × 6PCS  |

# STEP 13

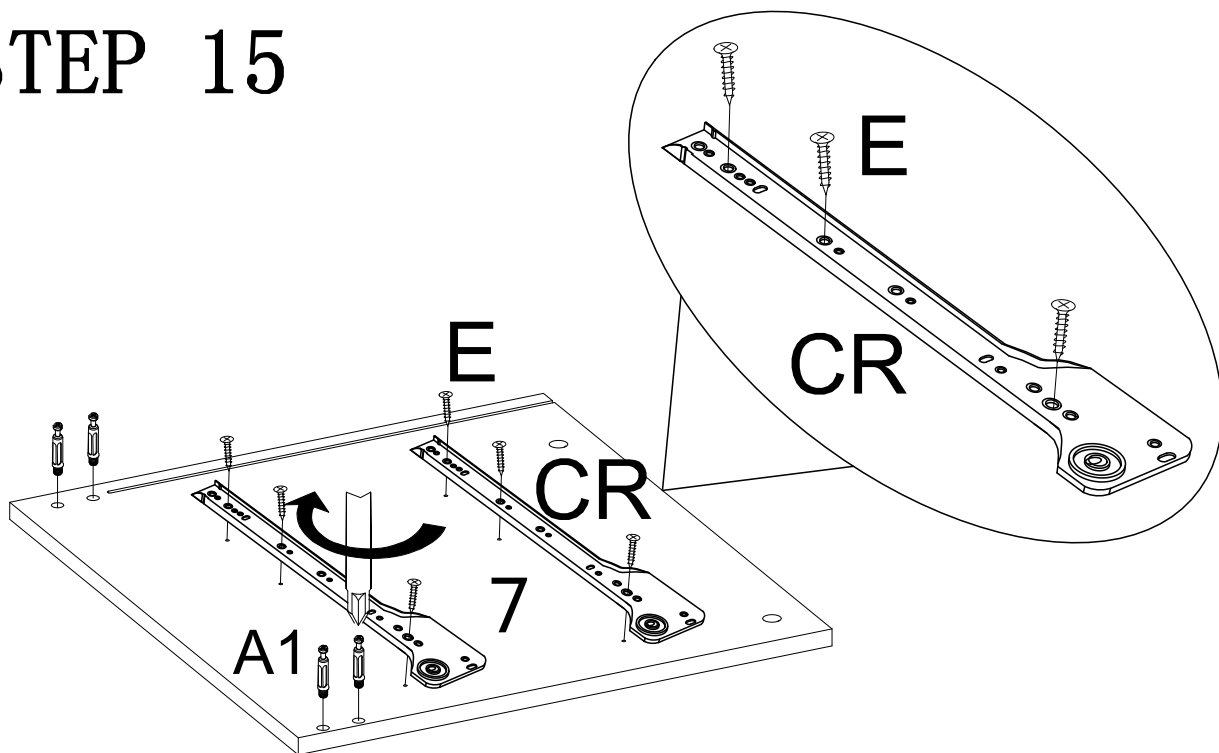





# STEP 14



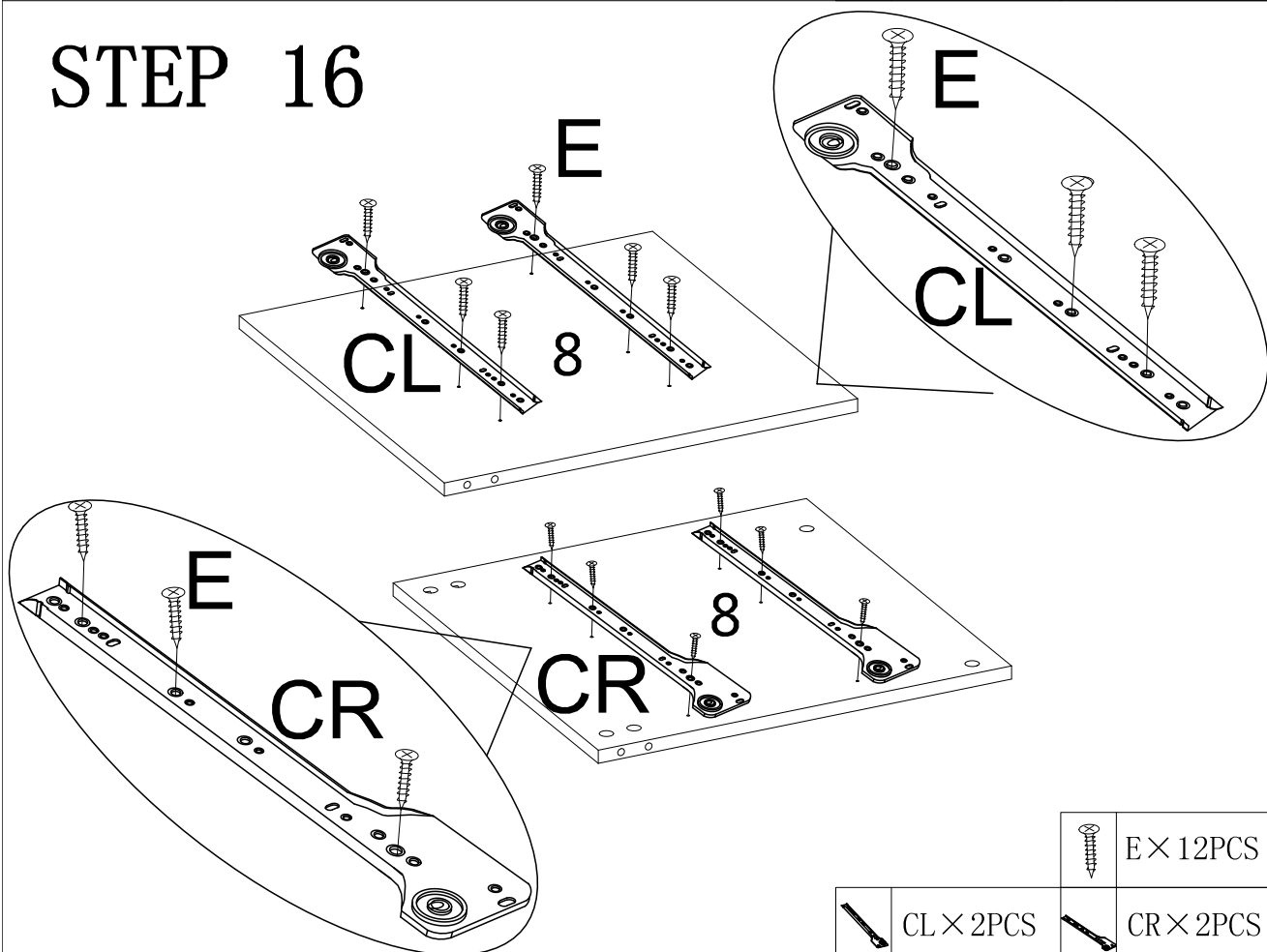
|                                                                                       |           |
|---------------------------------------------------------------------------------------|-----------|
|  | A1 × 4PCS |
|   | E × 6PCS  |
|  | CL × 2PCS |




# STEP 15



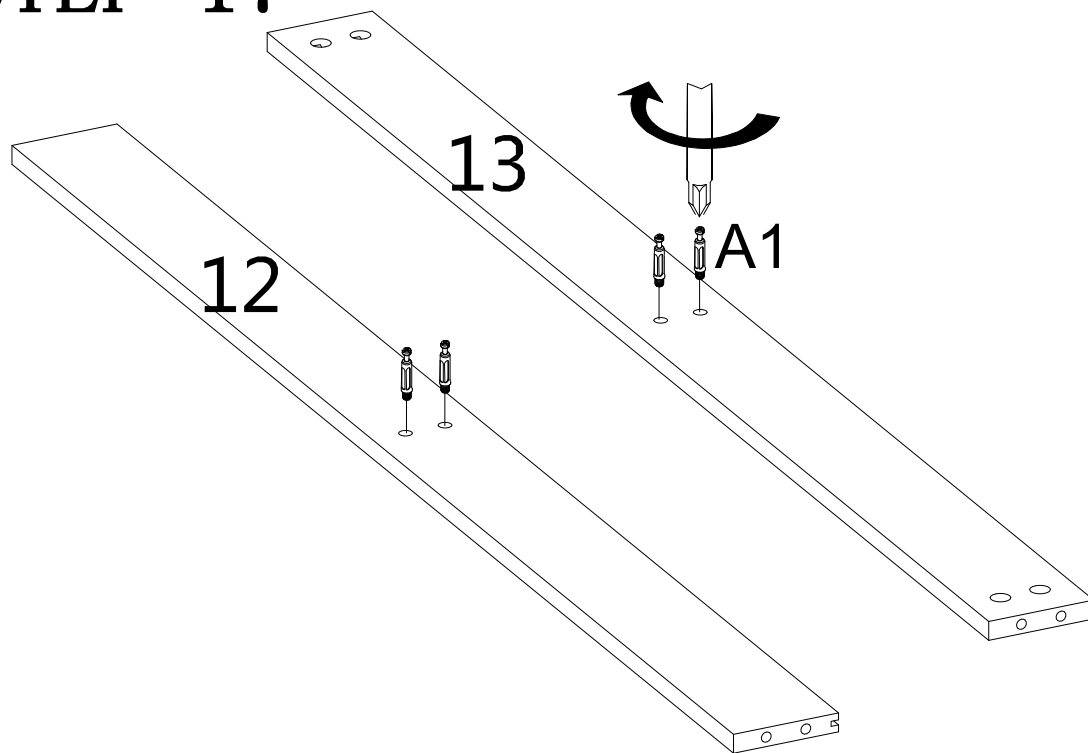
|                                                                                       |           |
|---------------------------------------------------------------------------------------|-----------|
|   | A1 × 4PCS |
|  | E × 6PCS  |
|  | CR × 2PCS |


# STEP 16



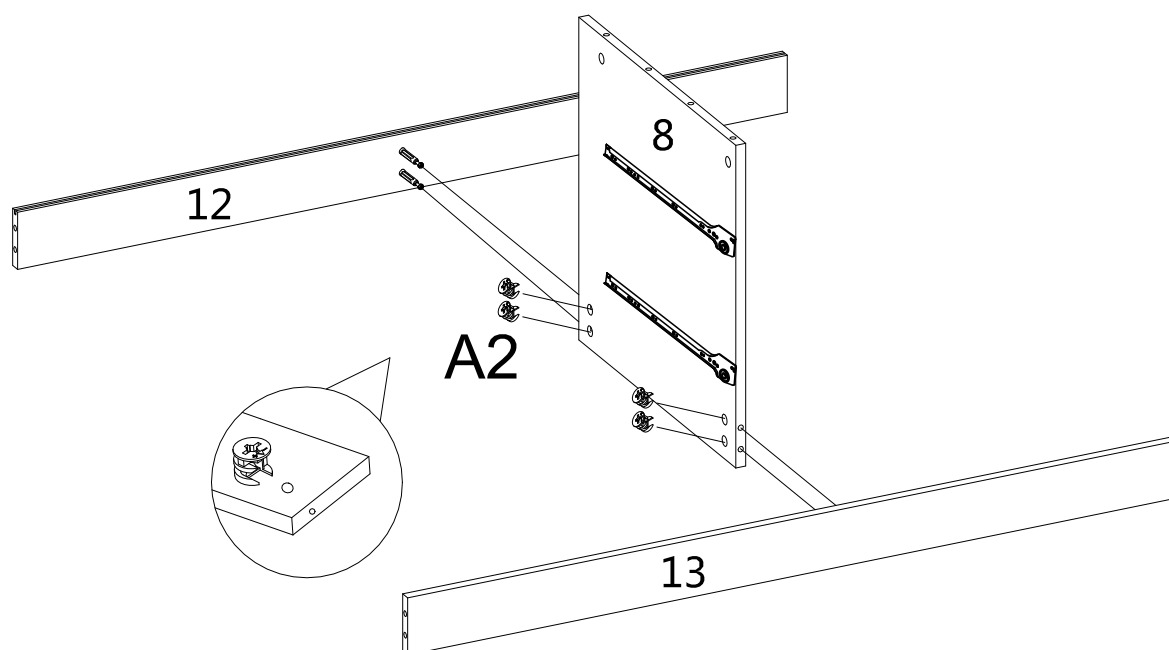
|                                                                                       |           |
|---------------------------------------------------------------------------------------|-----------|
|  | E × 12PCS |
|   | CL × 2PCS |
|  | CR × 2PCS |


# STEP 17



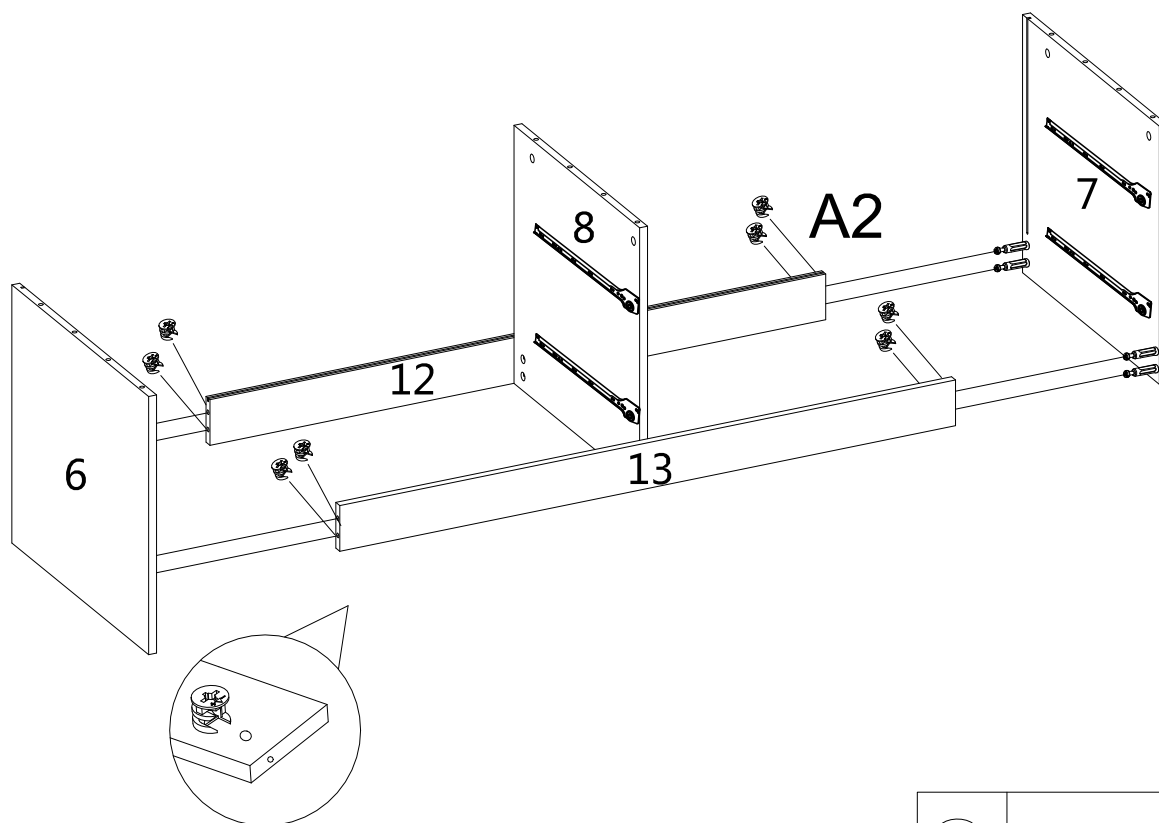
|                                                                                       |           |
|---------------------------------------------------------------------------------------|-----------|
|  | A1 × 4PCS |
|---------------------------------------------------------------------------------------|-----------|


# STEP 18



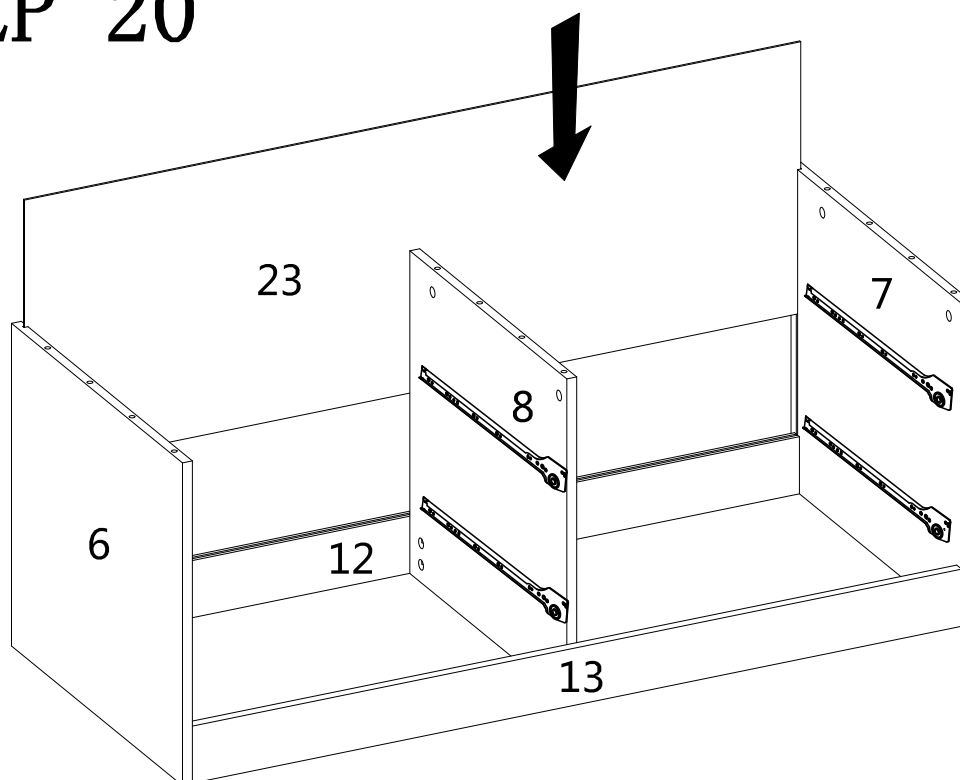
|                                                                                       |           |
|---------------------------------------------------------------------------------------|-----------|
|  | A2 × 4PCS |
|---------------------------------------------------------------------------------------|-----------|

# STEP 19

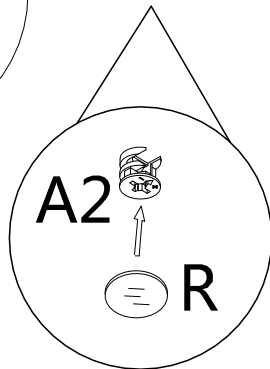
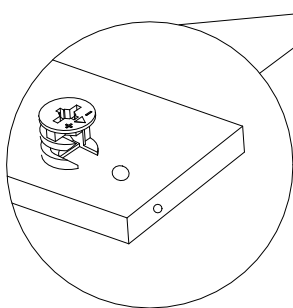
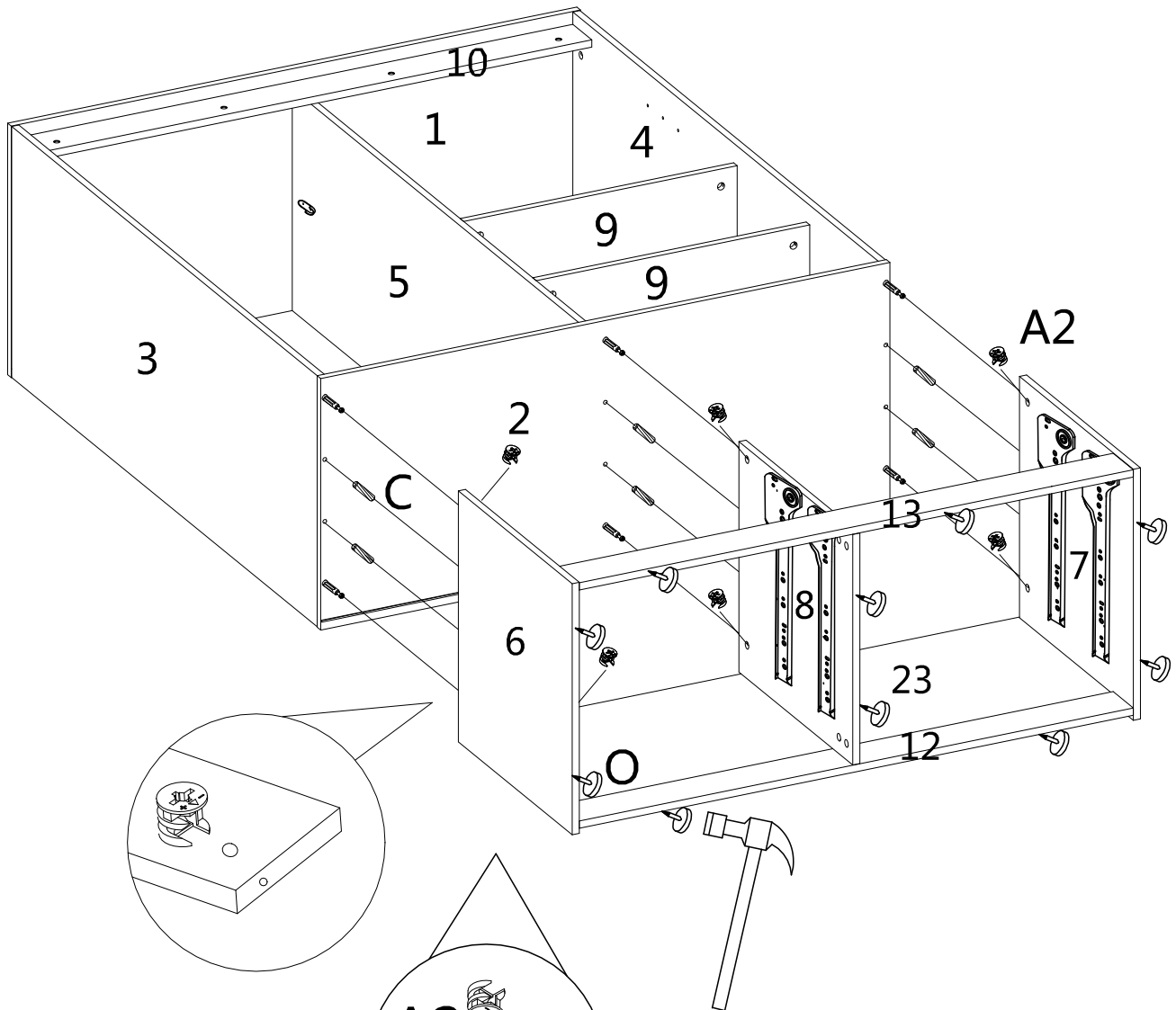






 A2 × 8PCS

# STEP 20



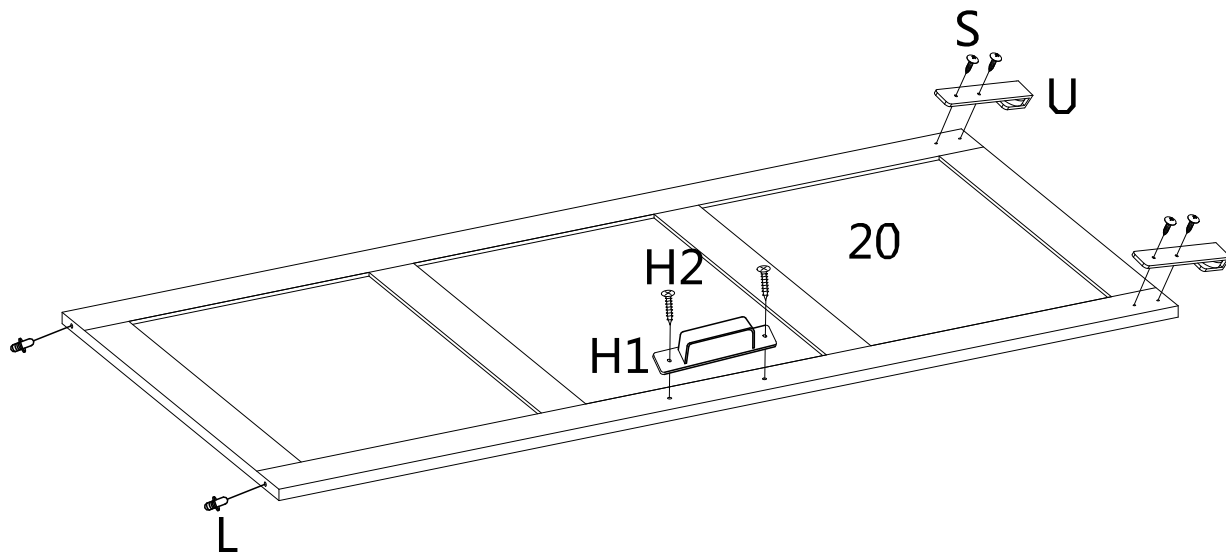
# STEP 21








|                                                                                     |           |                                                                                       |           |
|-------------------------------------------------------------------------------------|-----------|---------------------------------------------------------------------------------------|-----------|
|  | A2 × 6PCS |  | R × 60PCS |
|  | C × 6PCS  |  | O × 10PCS |

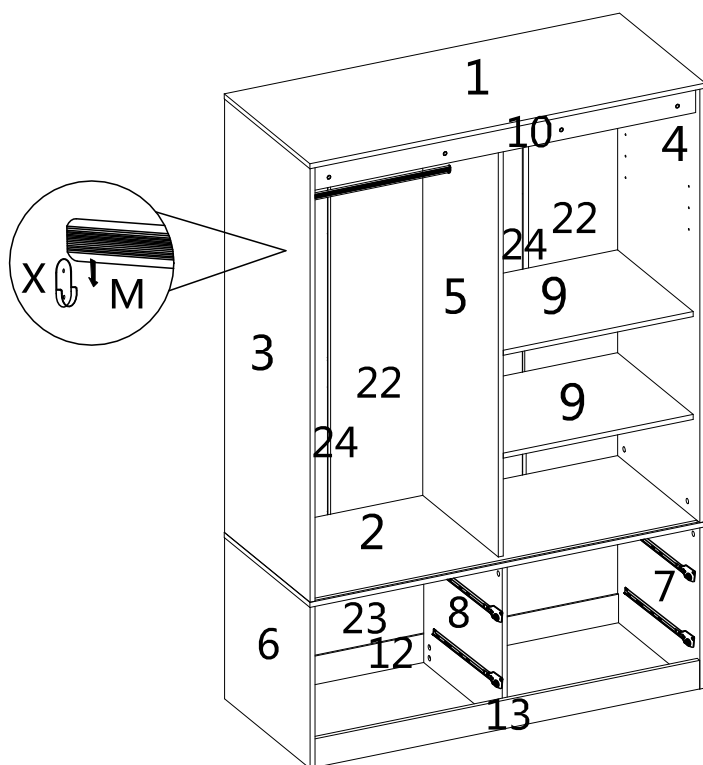



# STEP 22



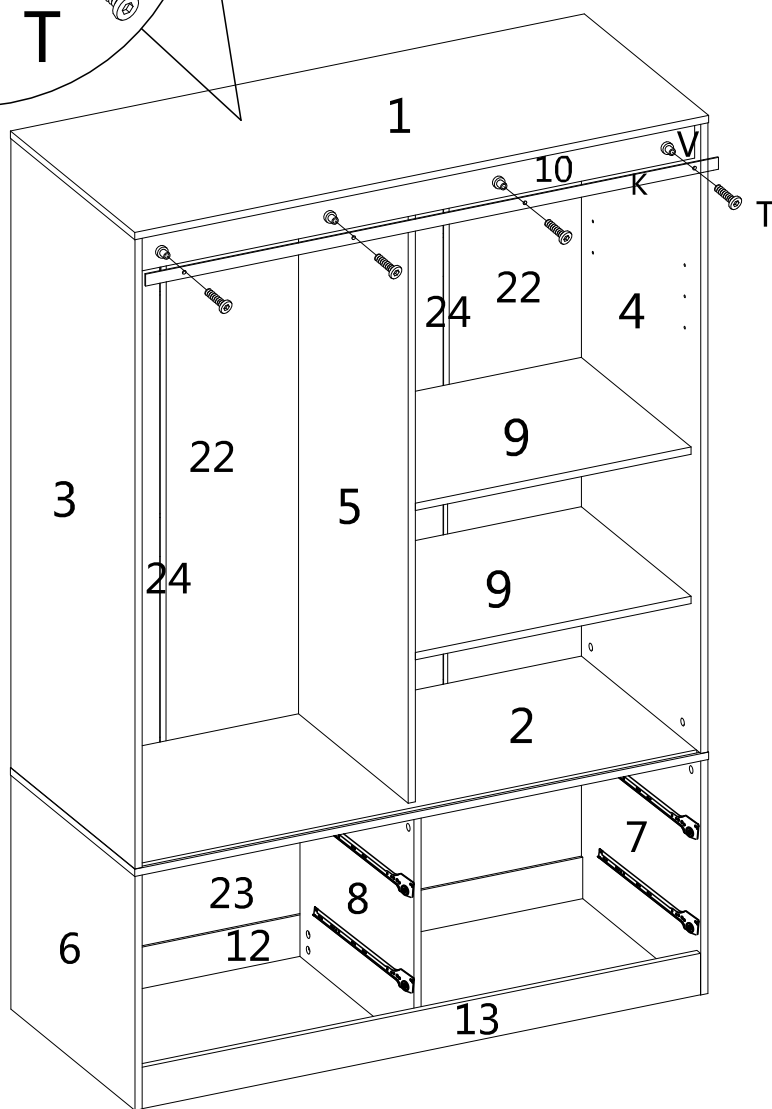
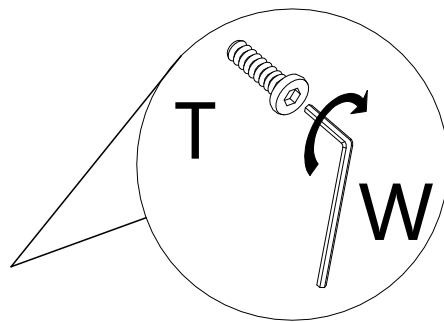
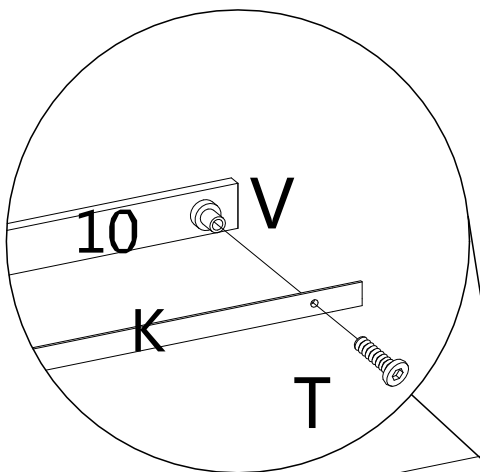
|                                                                                      |           |                                                                                       |          |
|--------------------------------------------------------------------------------------|-----------|---------------------------------------------------------------------------------------|----------|
|   | H1 × 1PC  |   | L × 2PCS |
|   | H2 × 2PCS |  | S × 4PCS |
|  | U × 2PCS  |                                                                                       |          |





# STEP 23



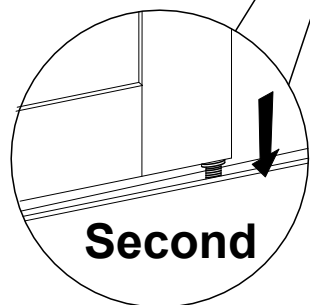
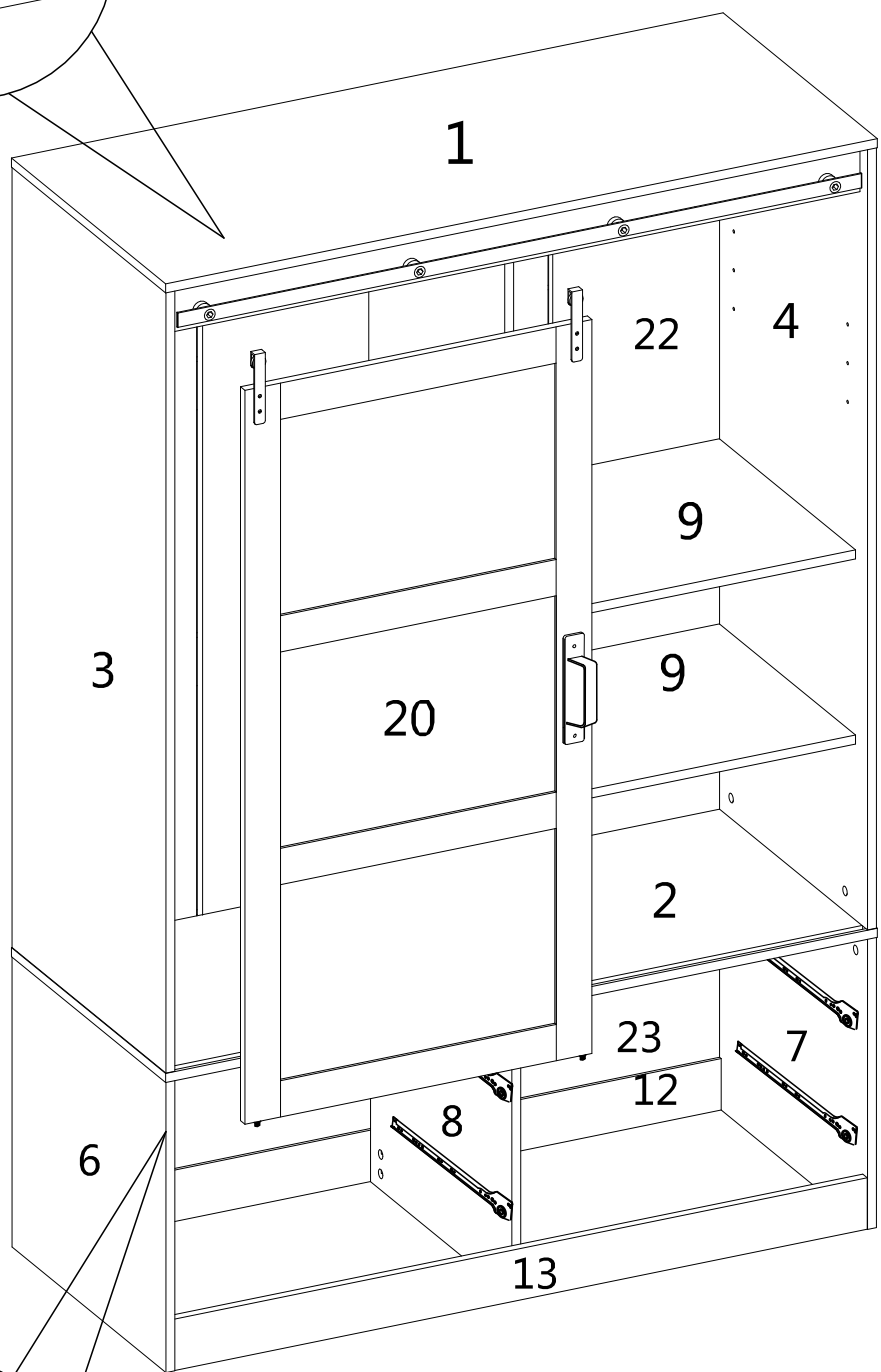
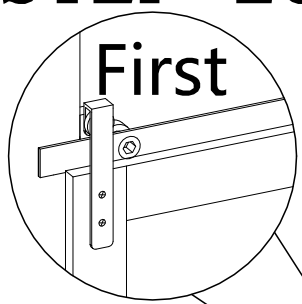
|                                                                                       |         |
|---------------------------------------------------------------------------------------|---------|
|  | M × 1PC |
|---------------------------------------------------------------------------------------|---------|

# STEP 24



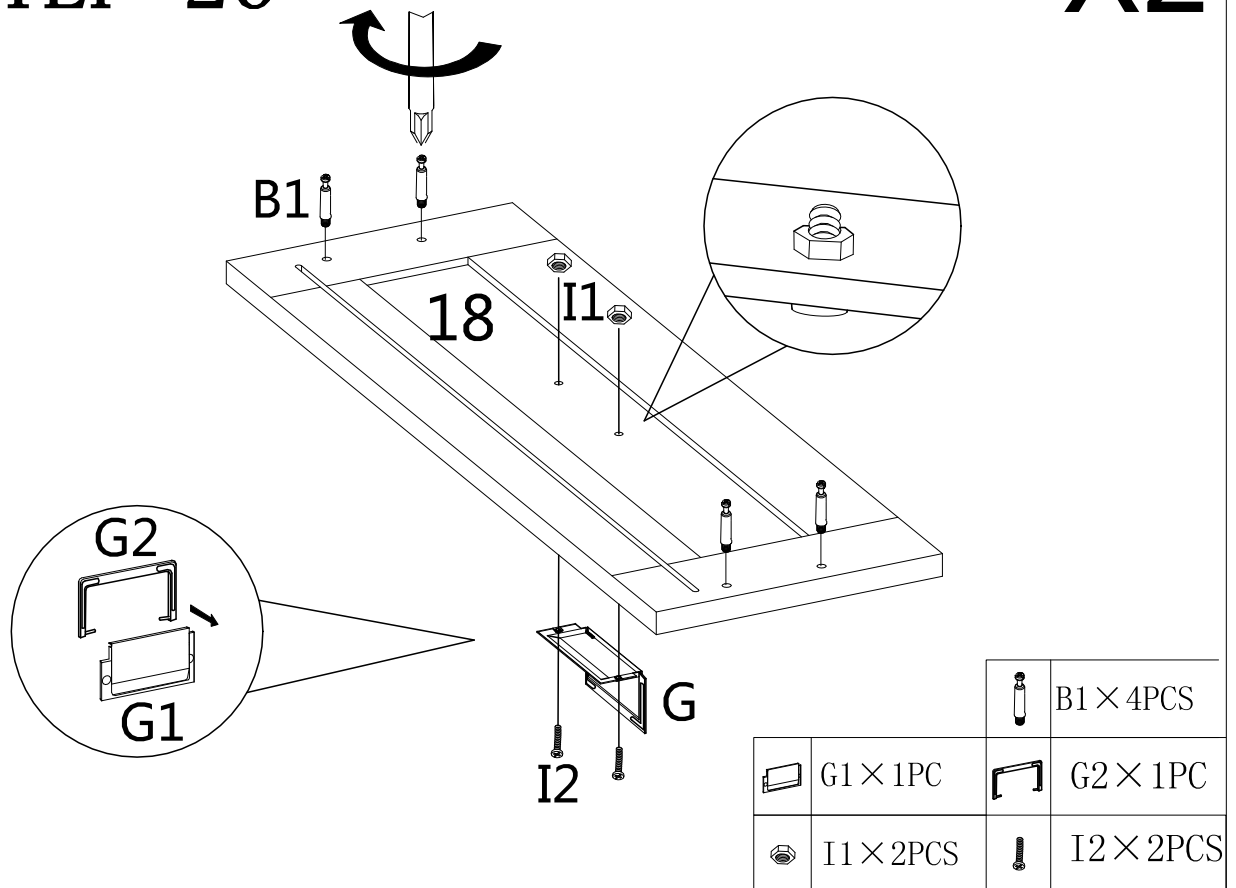
|                                                                                     |         |                                                                                       |          |
|-------------------------------------------------------------------------------------|---------|---------------------------------------------------------------------------------------|----------|
|  | K × 1PC |  | V × 4PCS |
|  | W × 1PC |  | T × 4PCS |

# STEP 25



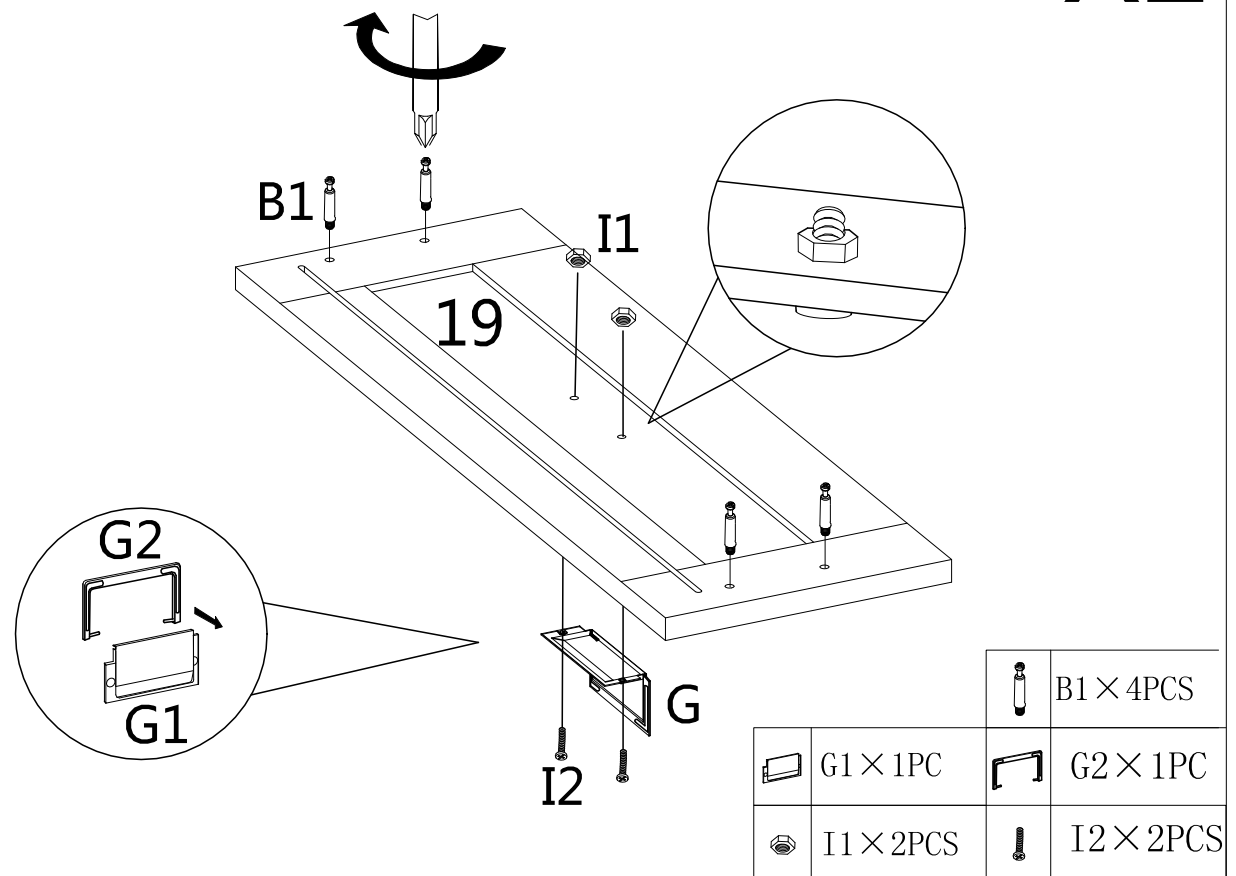
# STEP 26

# X2



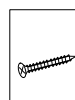
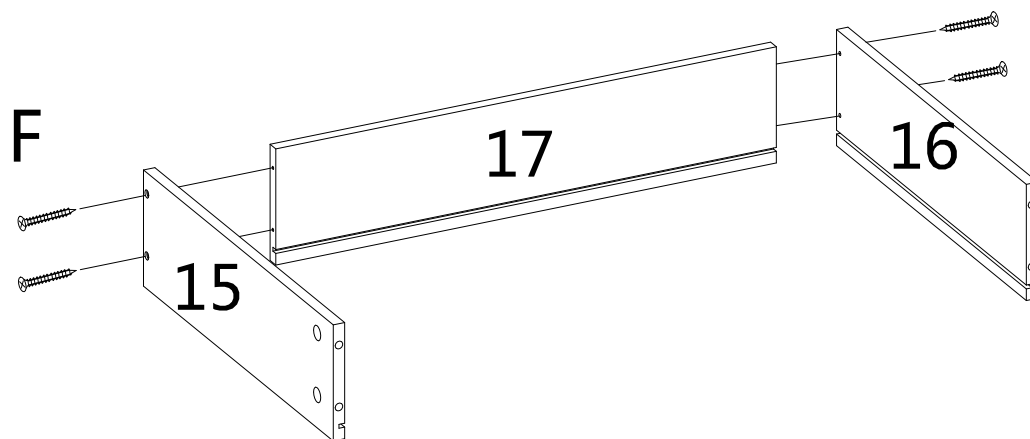
# STEP 27

# X2



STEP 28

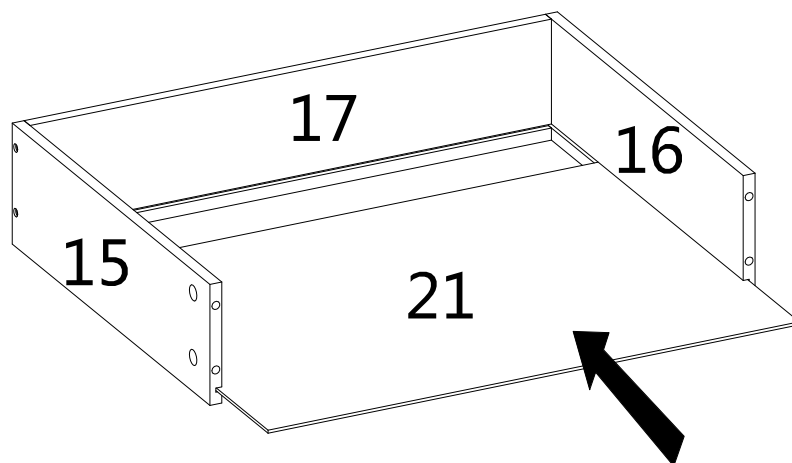
X4



F × 4PCS

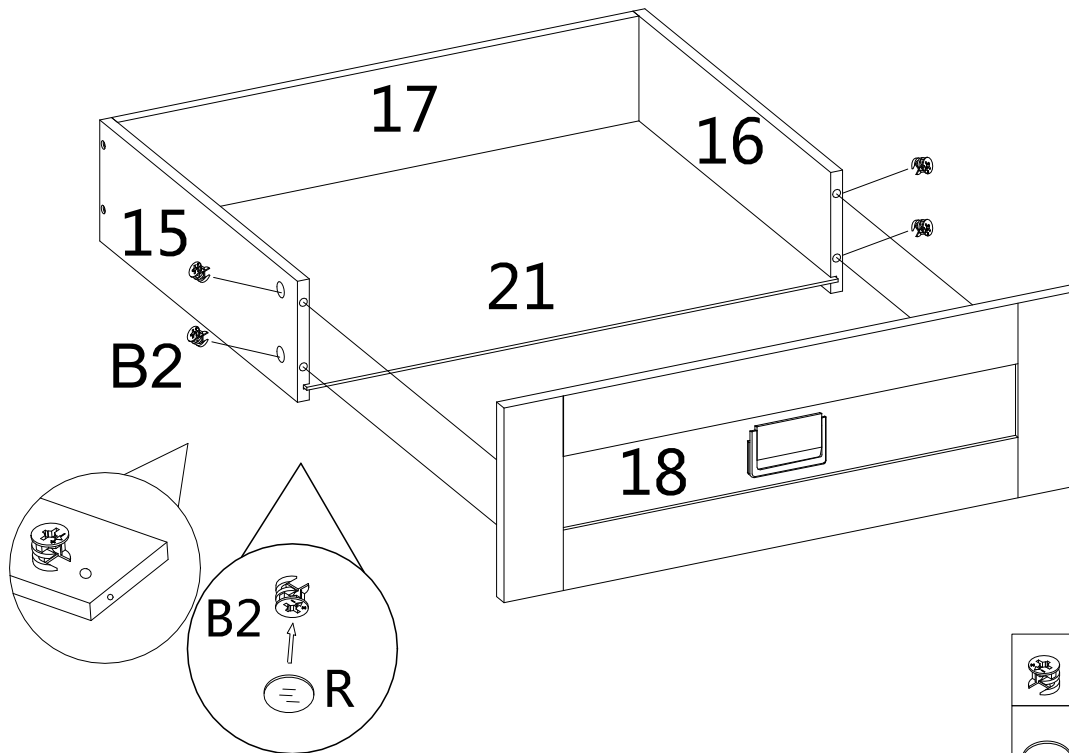
STEP 29



X4



# STEP 30

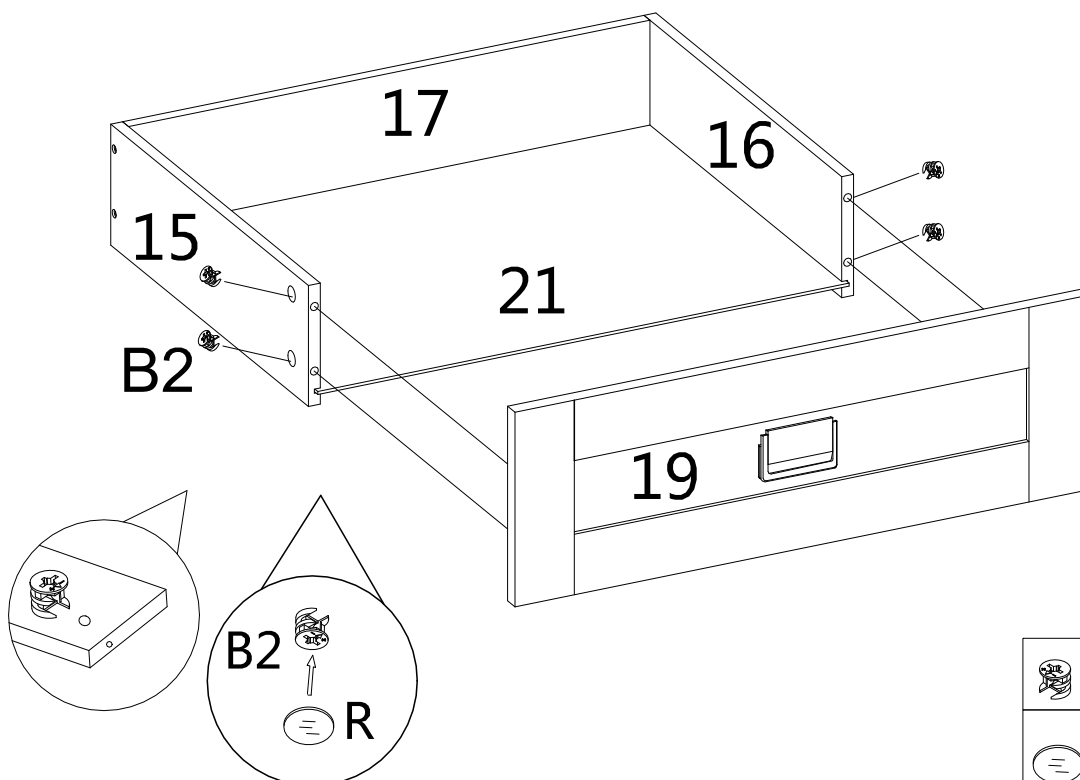
# X2





|                                                                                       |           |
|---------------------------------------------------------------------------------------|-----------|
|   | B2 × 4PCS |
|  | R × 4PCS  |

# STEP 31

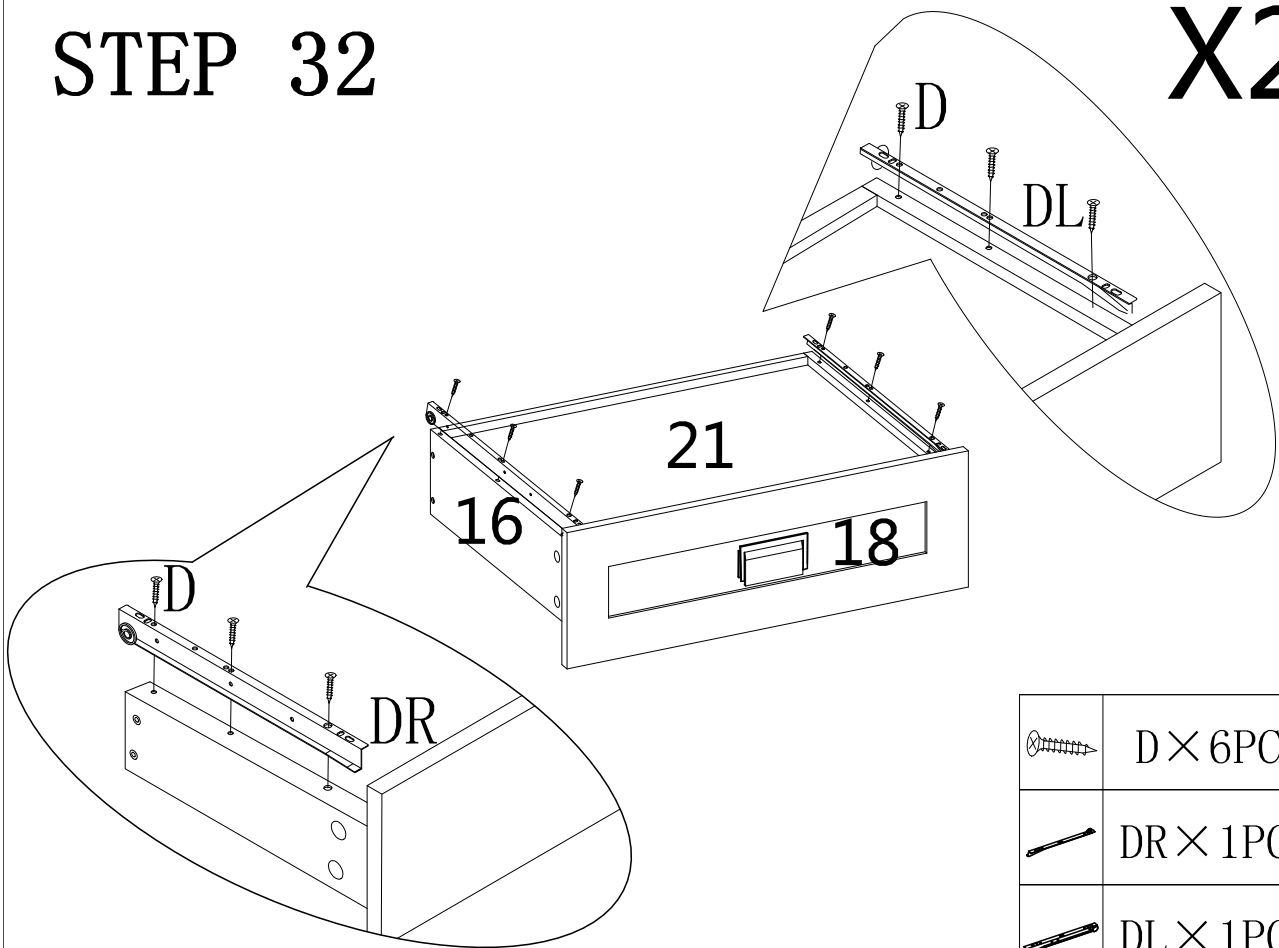
# X2

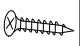




|                                                                                       |           |
|---------------------------------------------------------------------------------------|-----------|
|  | B2 × 4PCS |
|  | R × 4PCS  |

# STEP 32

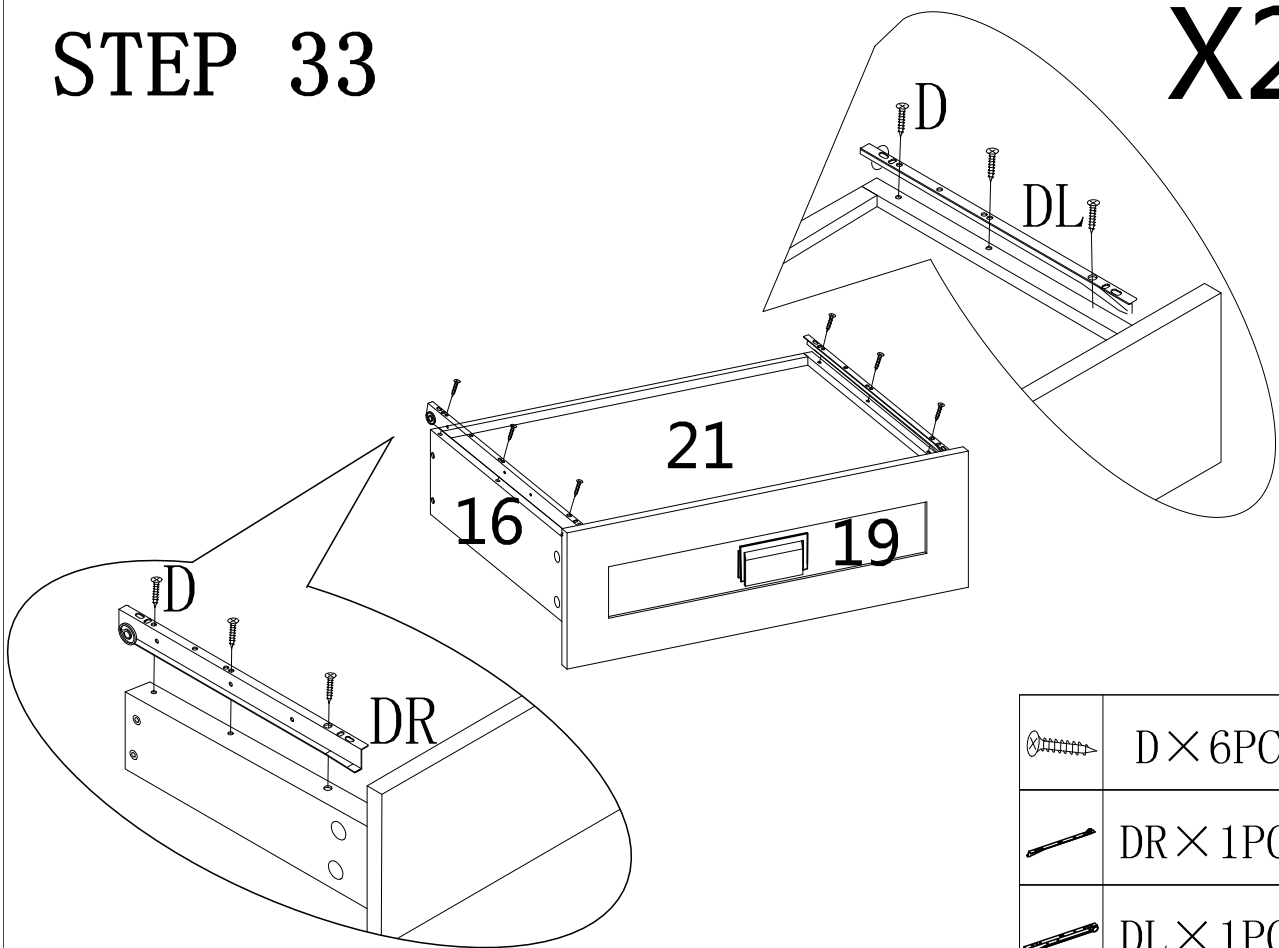
# X2

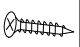




|                                                                                       |          |
|---------------------------------------------------------------------------------------|----------|
|    | D × 6PCS |
|    | DR × 1PC |
|  | DL × 1PC |

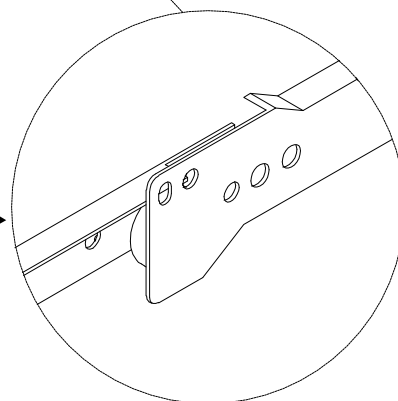
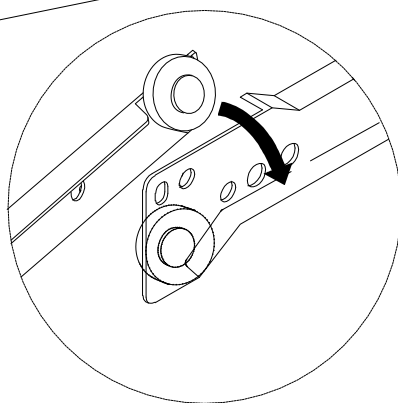
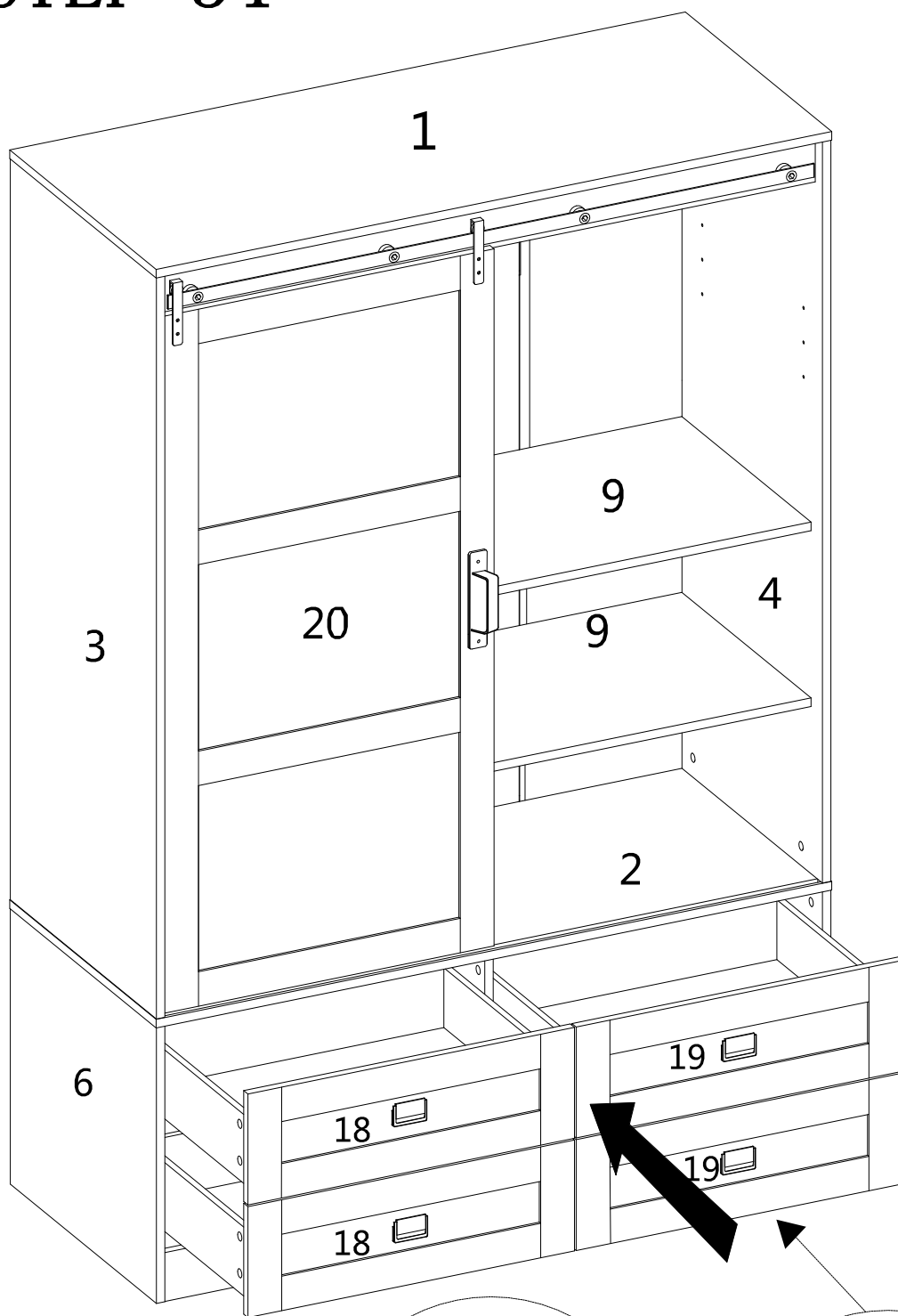
# STEP 33

# X2



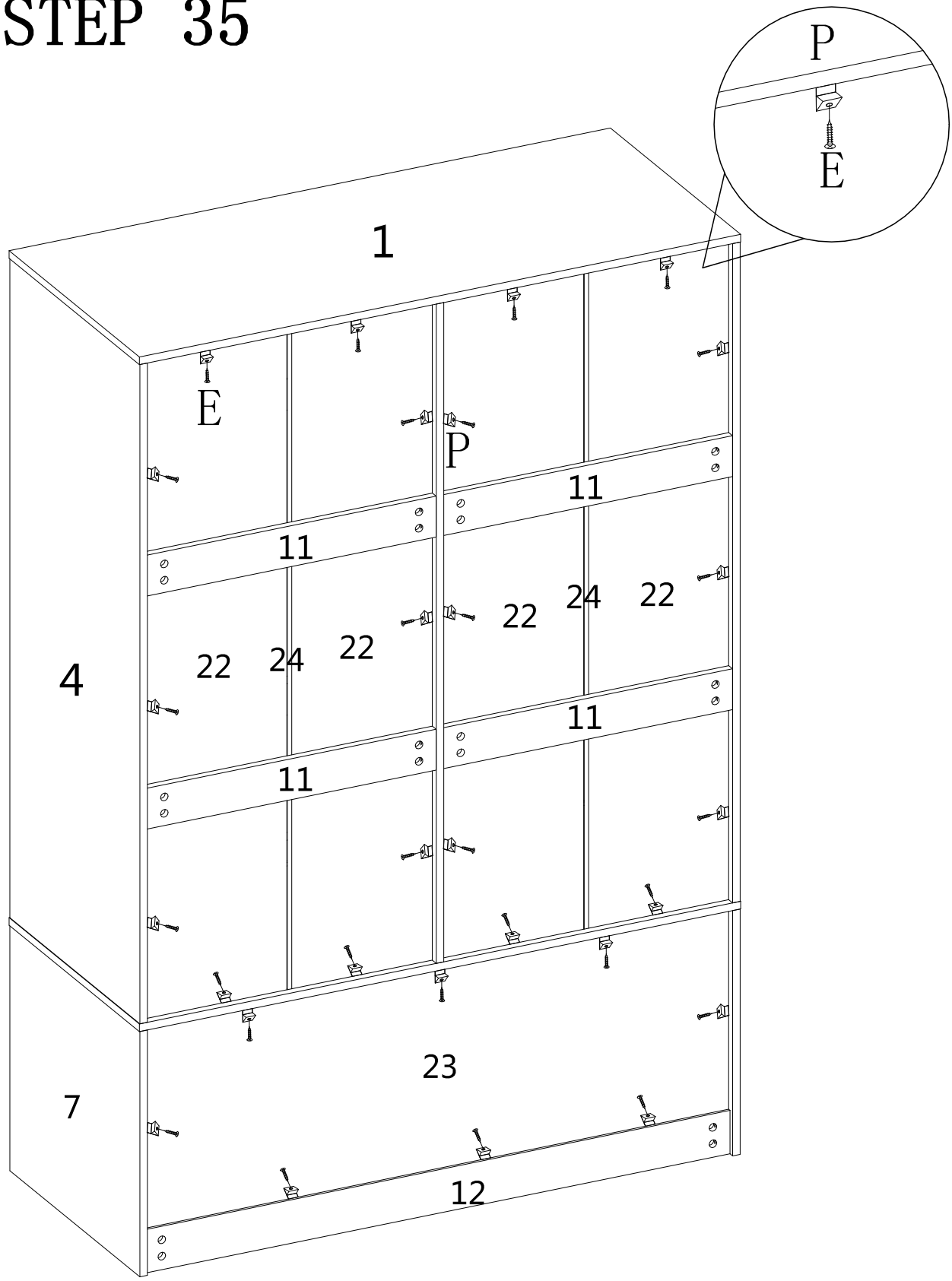
|                                                                                       |          |
|---------------------------------------------------------------------------------------|----------|
|  | D × 6PCS |
|  | DR × 1PC |
|  | DL × 1PC |



# STEP 34



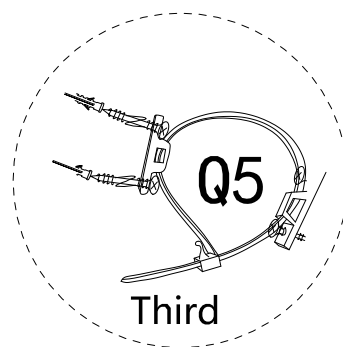
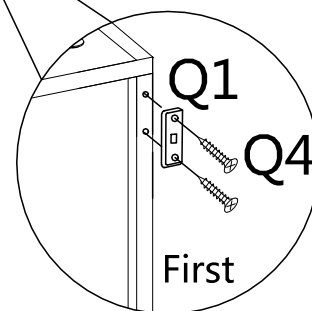
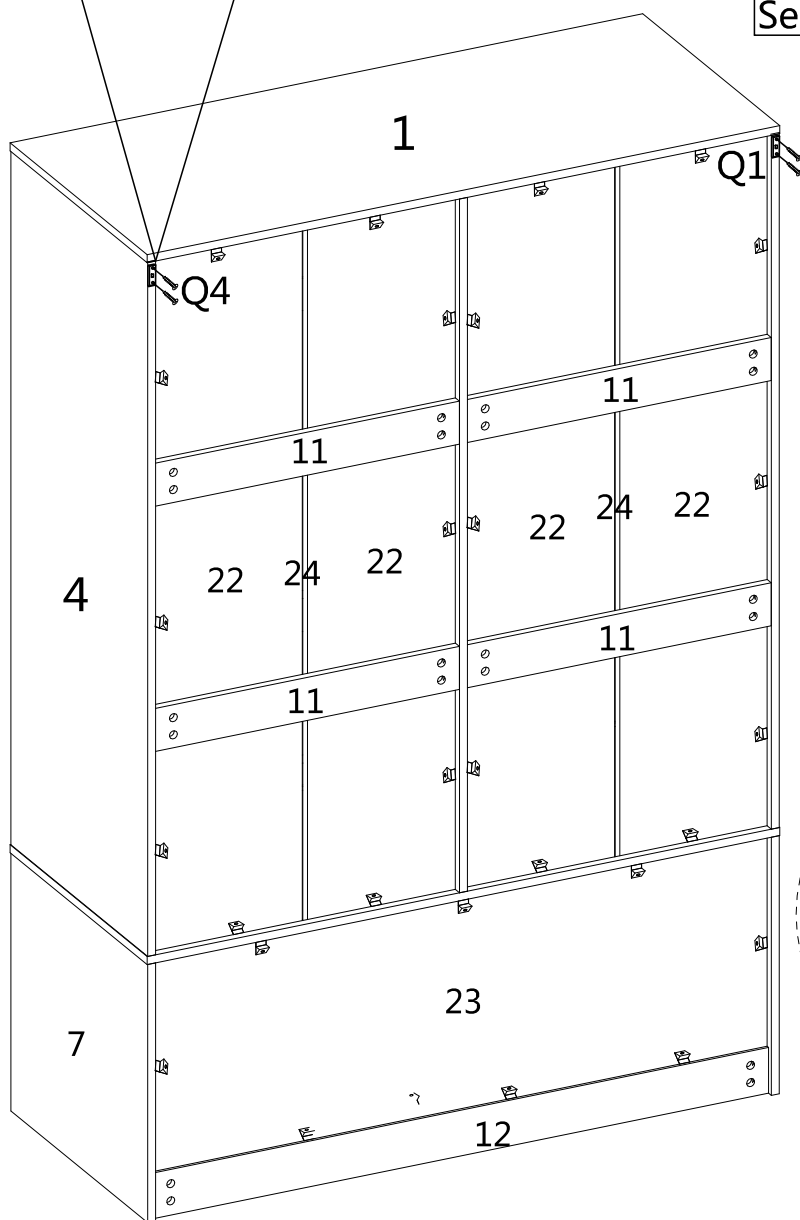
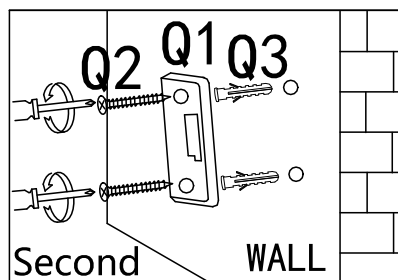
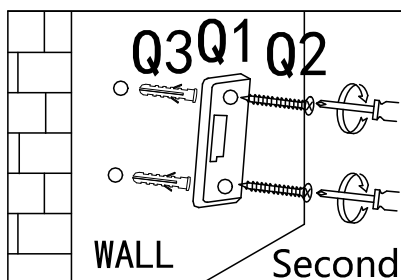


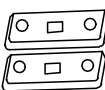


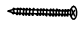


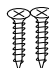
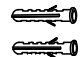
# STEP 35



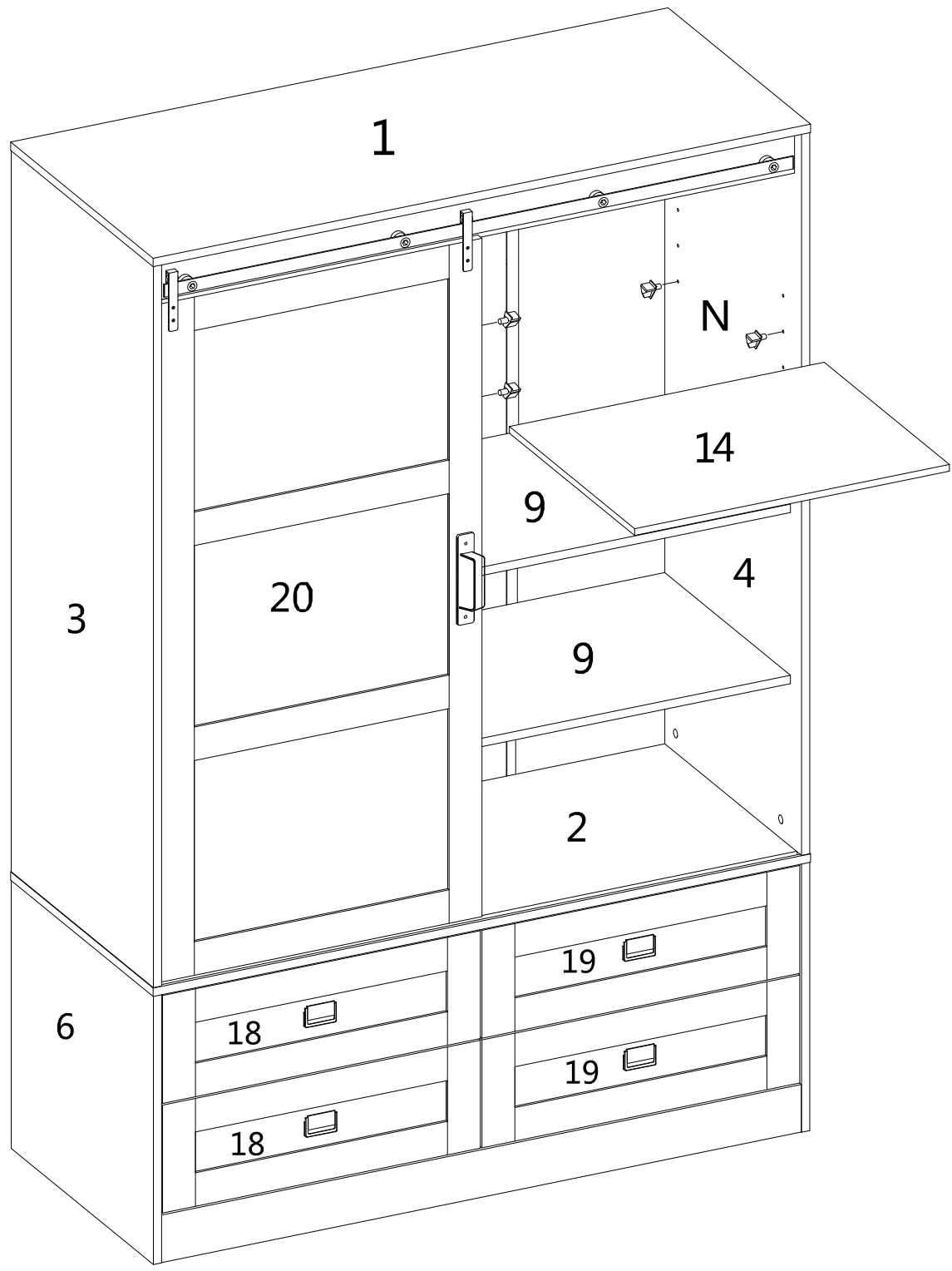
|                                                                                       |                  |
|---------------------------------------------------------------------------------------|------------------|
|  | <p>E × 28PCS</p> |
|  | <p>P × 28PCS</p> |

# STEP 36



|                                                                                      |                                                                                       |            |
|--------------------------------------------------------------------------------------|---------------------------------------------------------------------------------------|------------|
|  |  | Q × 2PCS   |
|  |  |            |
|  |   | Q5         |
|   |  | Q4      Q3 |

# STEP 37



 N × 4PCS