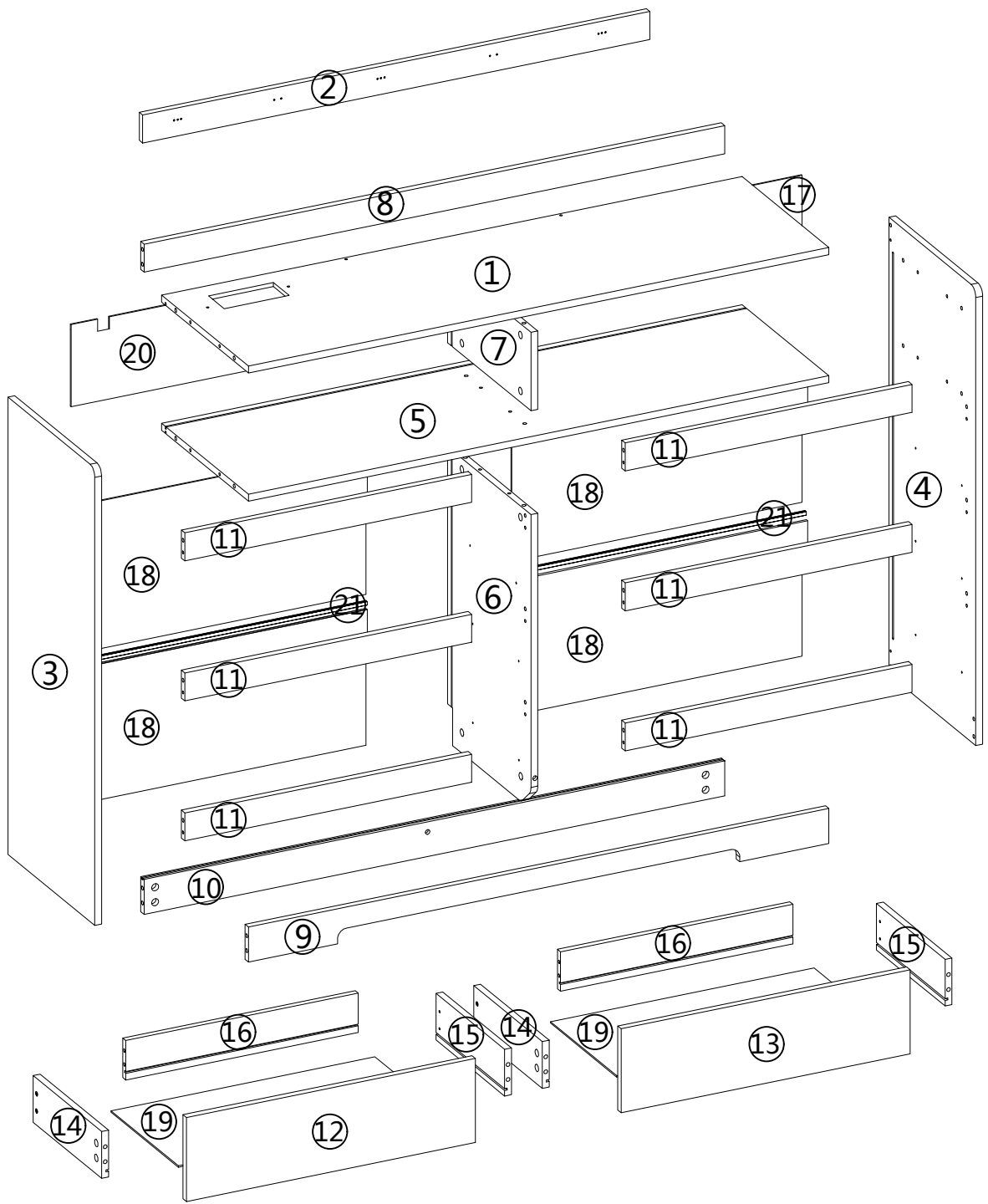
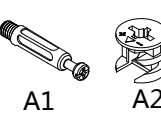


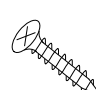
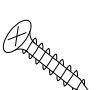


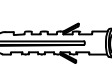
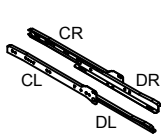
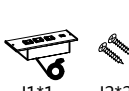

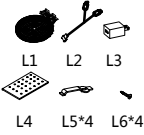


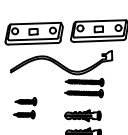



DS-SB004B



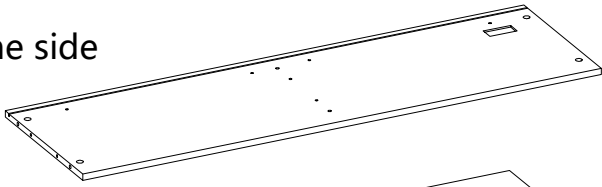
X3

X3

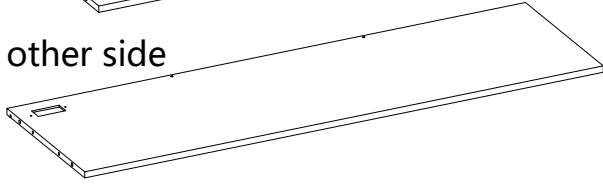
<p>A</p>  <p>A1 A2</p> <p>66PCS</p>	<p>B</p>  <p>16PCS</p> <p>∅8*30mm</p>	<p>C</p>  <p>5PCS</p> <p>∅8*50mm</p>	<p>D</p>  <p>68PCS</p> <p>M3.5*14mm</p>	<p>E</p>  <p>10PCS</p> <p>M3.5*14mm</p>	<p>F</p>  <p>24PCS</p> <p>M3.5*35mm</p>	<p>G</p>  <p>3PCS</p> <p>M3.5*40mm</p>	<p>H</p>  <p>3PCS</p> <p>M8*40mm</p>
<p>I</p>  <p>CR CL DR DL</p> <p>L=300mm</p> <p>6PCS</p>	<p>J</p>  <p>J1*1 J2*2</p> <p>1PCS</p>	<p>K</p>  <p>5PCS</p>	<p>L</p>  <p>L1 L2 L3 L4 L5*4 L6*4</p> <p>1PCS</p>	<p>M</p>  <p>6PCS</p>	<p>N</p>  <p>20PCS</p>	<p>O</p>  <p>2PCS</p>	<p>P</p>  <p>66PCS</p> <p>∅21mm</p>

1

one side



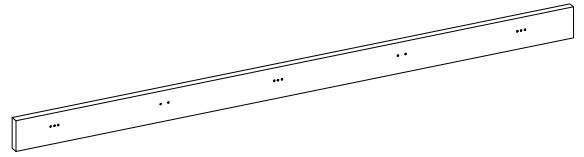
the other side



1270*379*15mm

1 PC

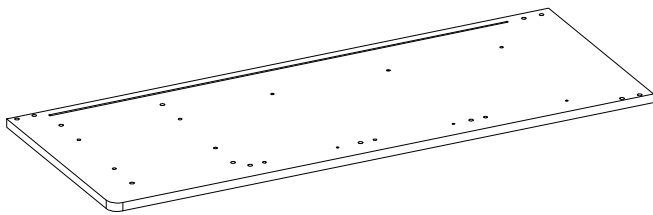
2



1100*80*15mm

1 PC

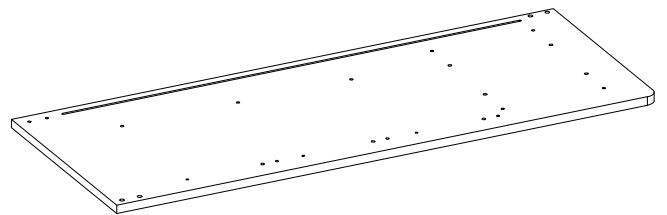
3



980*380*15mm

1 PC

4

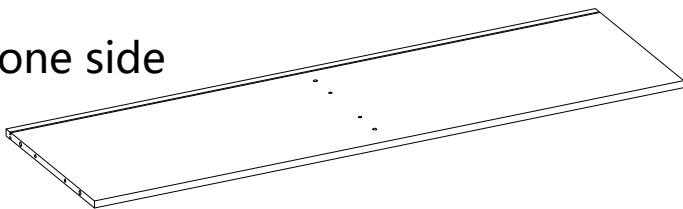


980*380*15mm

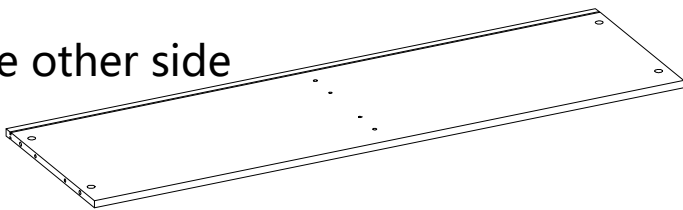
1 PC

5

one side



the other side

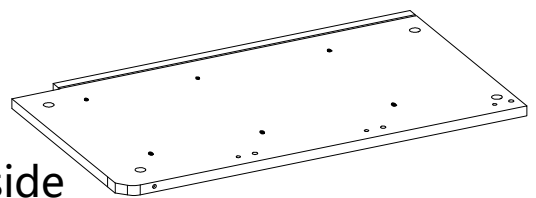


1270*379*15mm

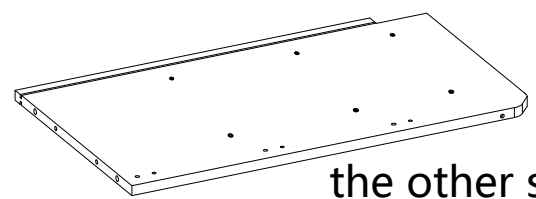
1 PC

6

one side



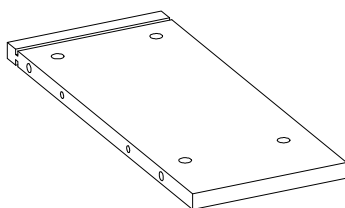
the other side



722*364*15mm

1 PC

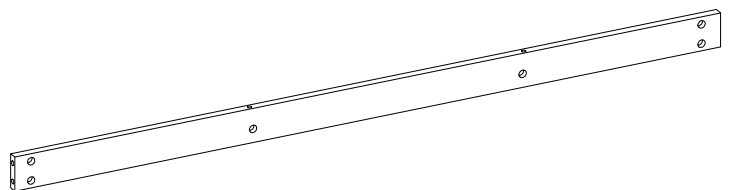
7



167*364*15mm

1 PC

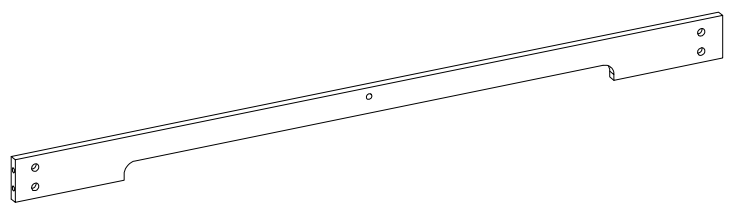
8



1270*60*15mm

1 PC

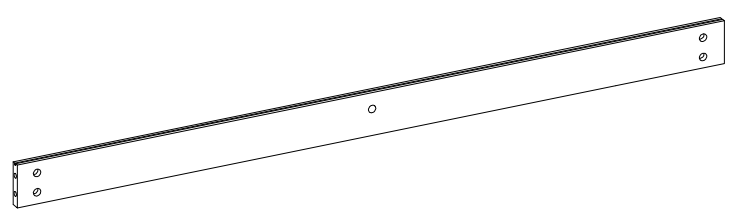
9



1270*90*15mm

1 PC

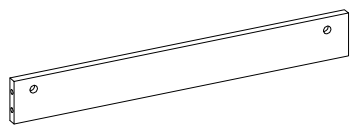
10



1270*90*15mm

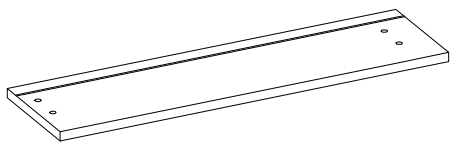
1 PC

11



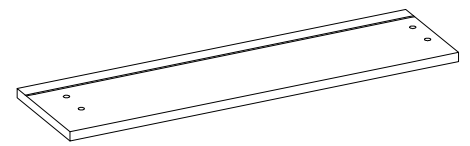
627.5*50*15mm 6 PCS

12



180*632*15mm 3 PCS

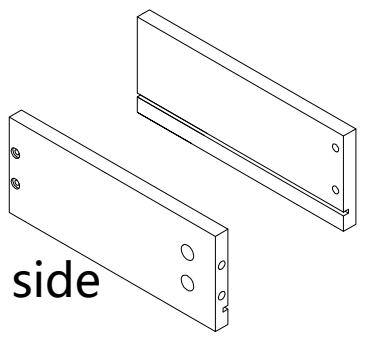
13



180*632*15mm 3 PCS

14

the other side

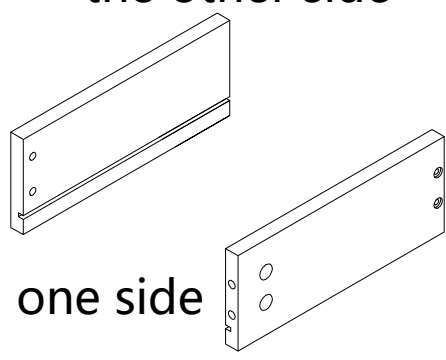


one side

330*100*15mm 6 PCS

15

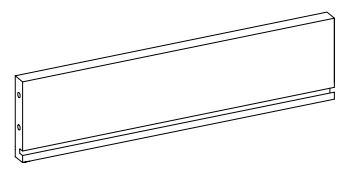
the other side



one side

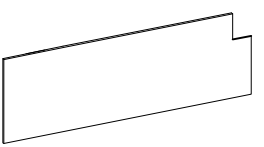
330*100*15mm 6 PCS

16



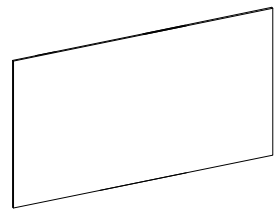
572.5*100*15mm 6 PCS

17



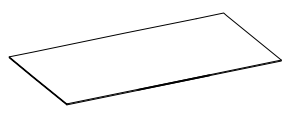
636.5*176*3mm 1 PC

18



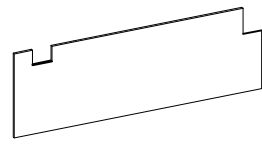
636.5*319.5*3mm 4PCS

19



582.5*325*3mm 6 PCS

20



636.5*176*3mm 1 PC

21



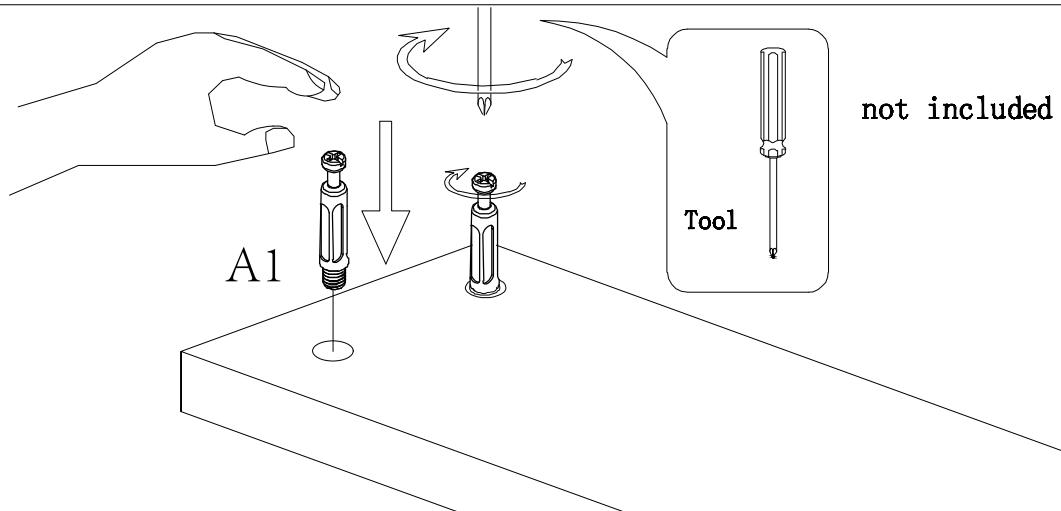
L=625mm 2PCS

Hardware installation demonstration

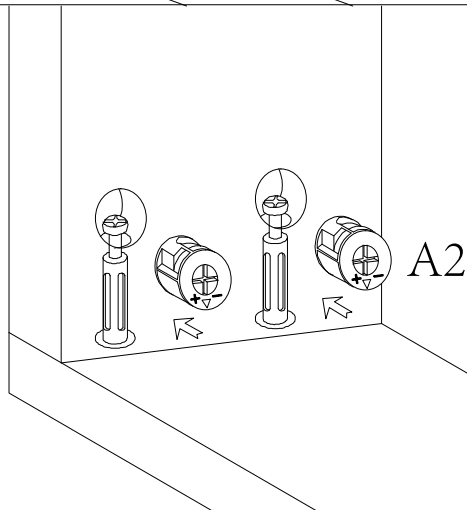


NOTE: Please make sure "A1" hardware tightened and can't be pulled out!

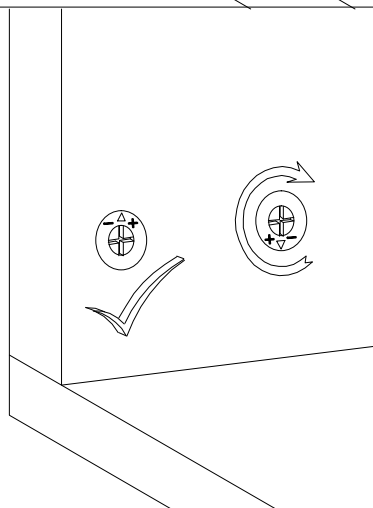
I



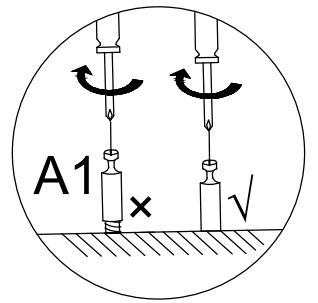
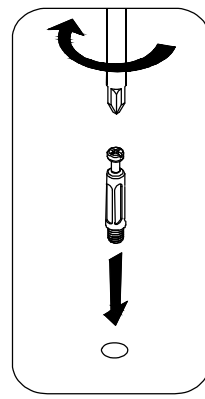
II



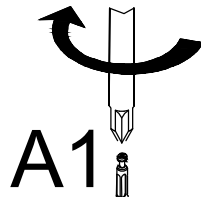
III



STEP 1

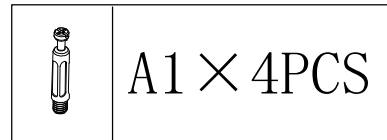
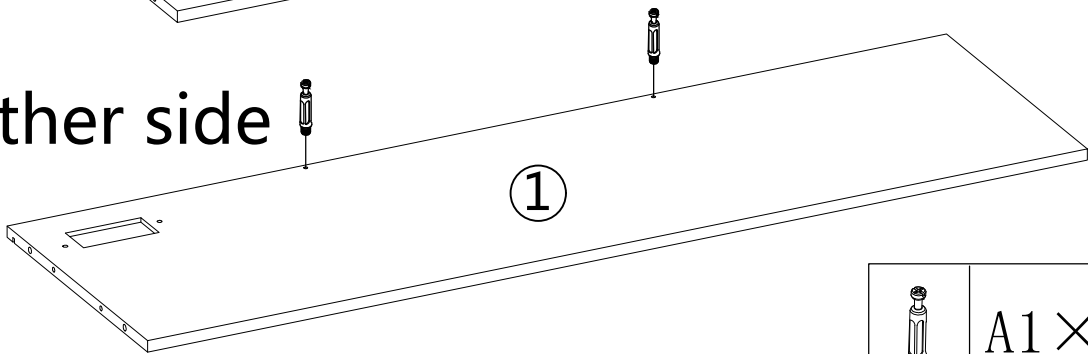


one side

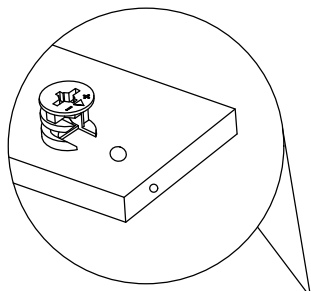
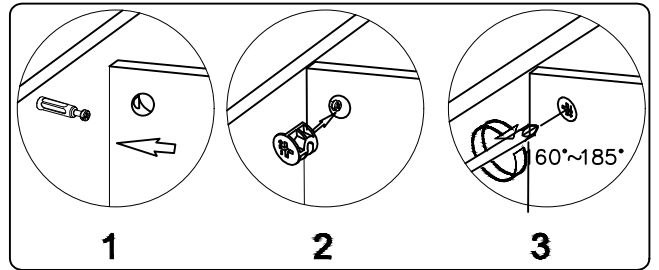


①

the other side

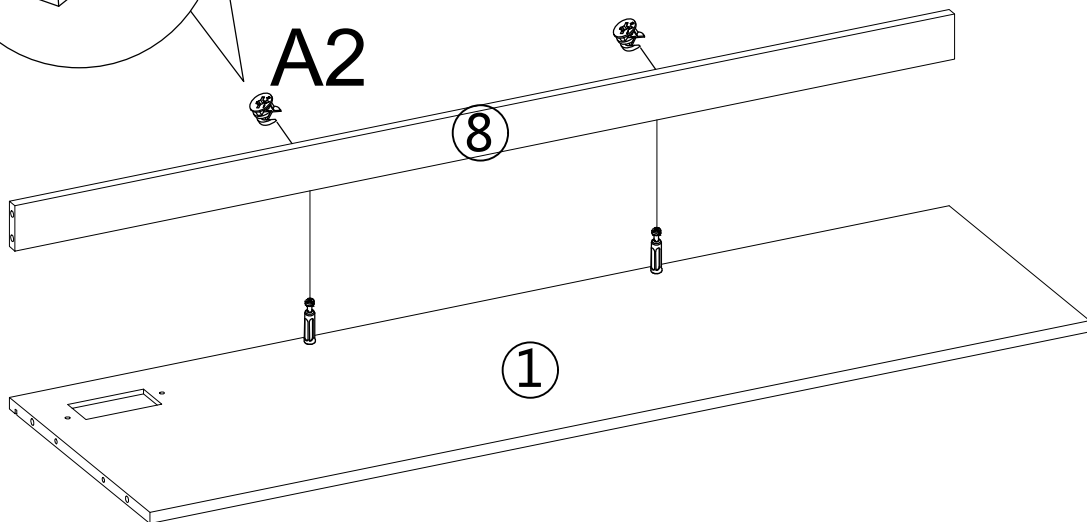


STEP 2

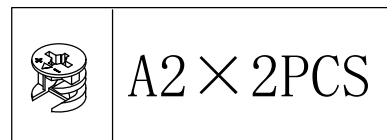


A2

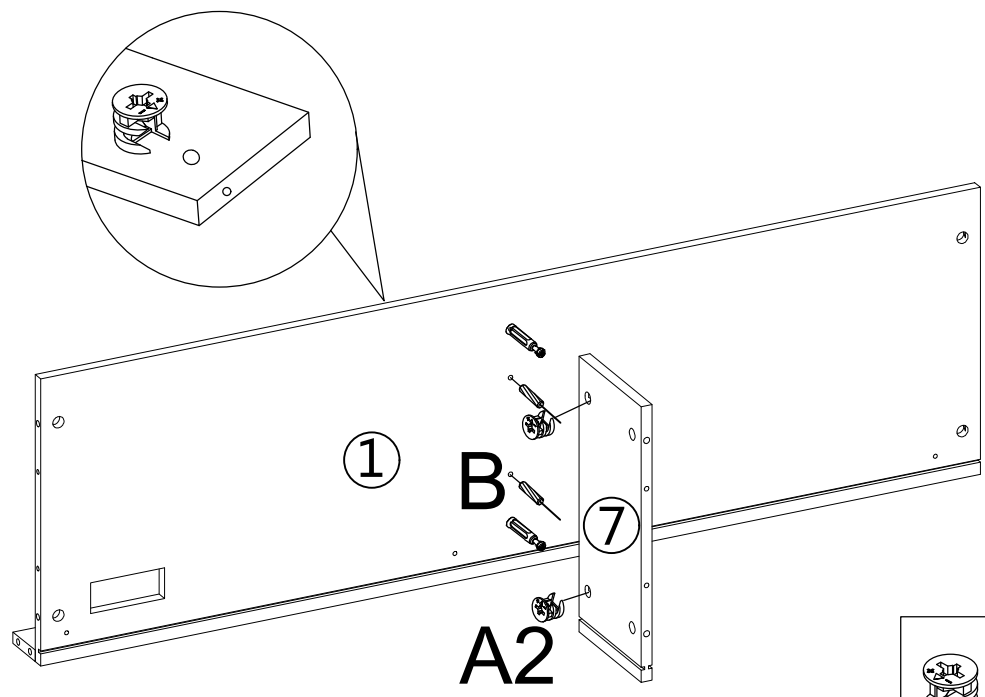
⑧





①



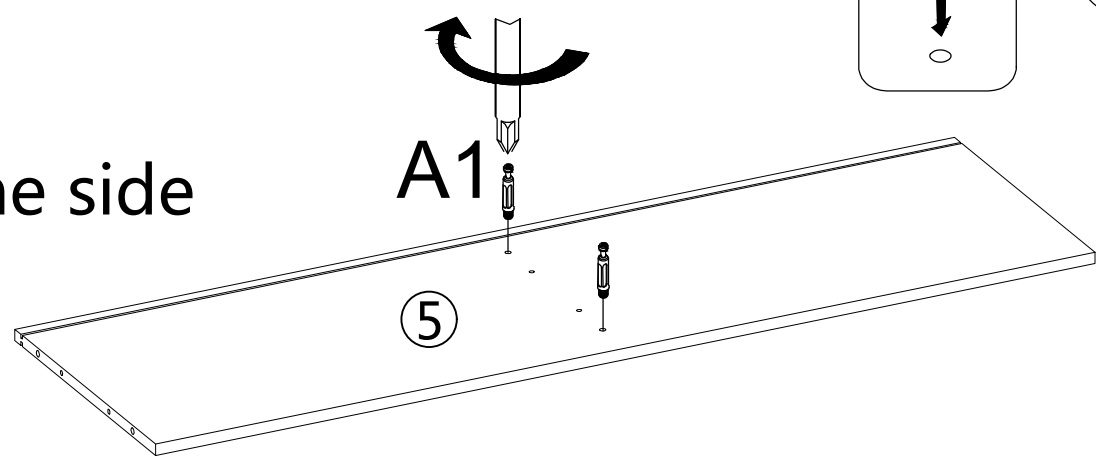
STEP 3



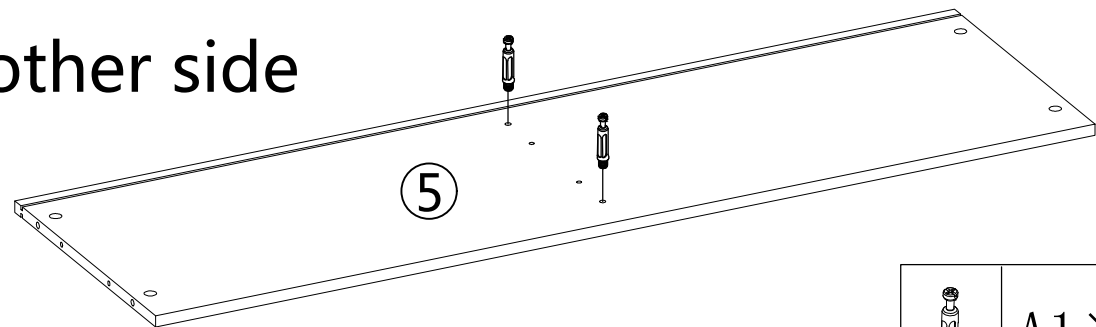
	A2 × 2PCS
	B × 2PCS


STEP 4

one side

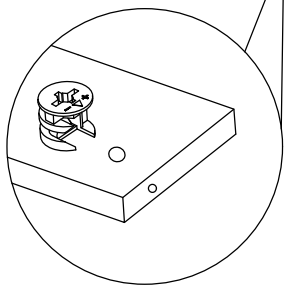
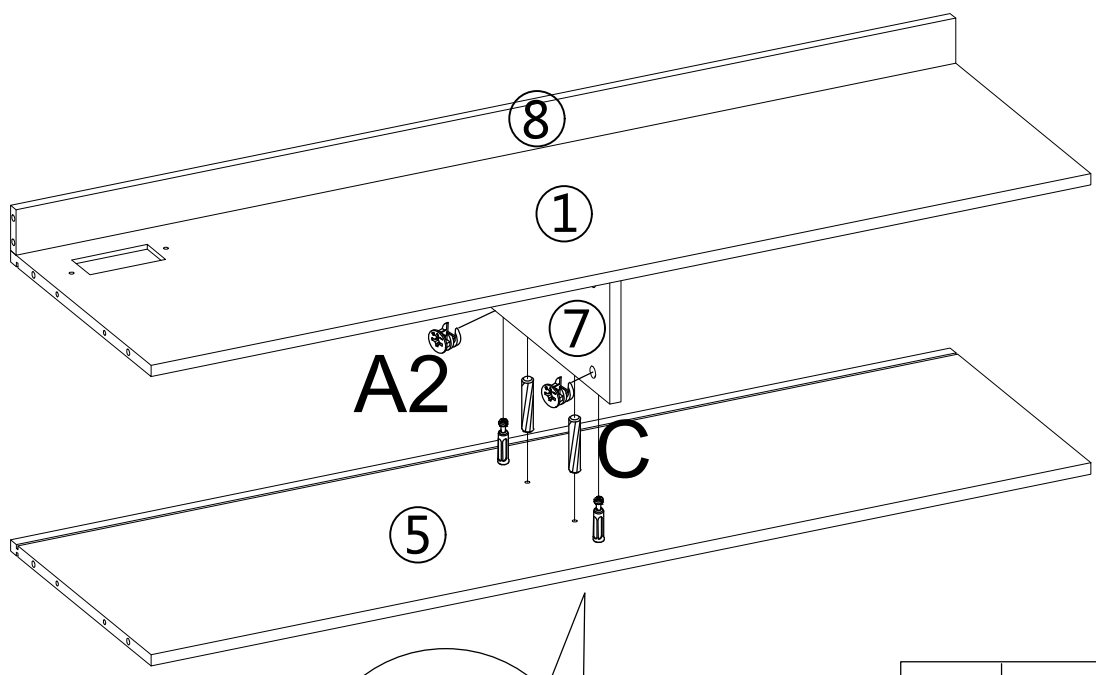




the other side



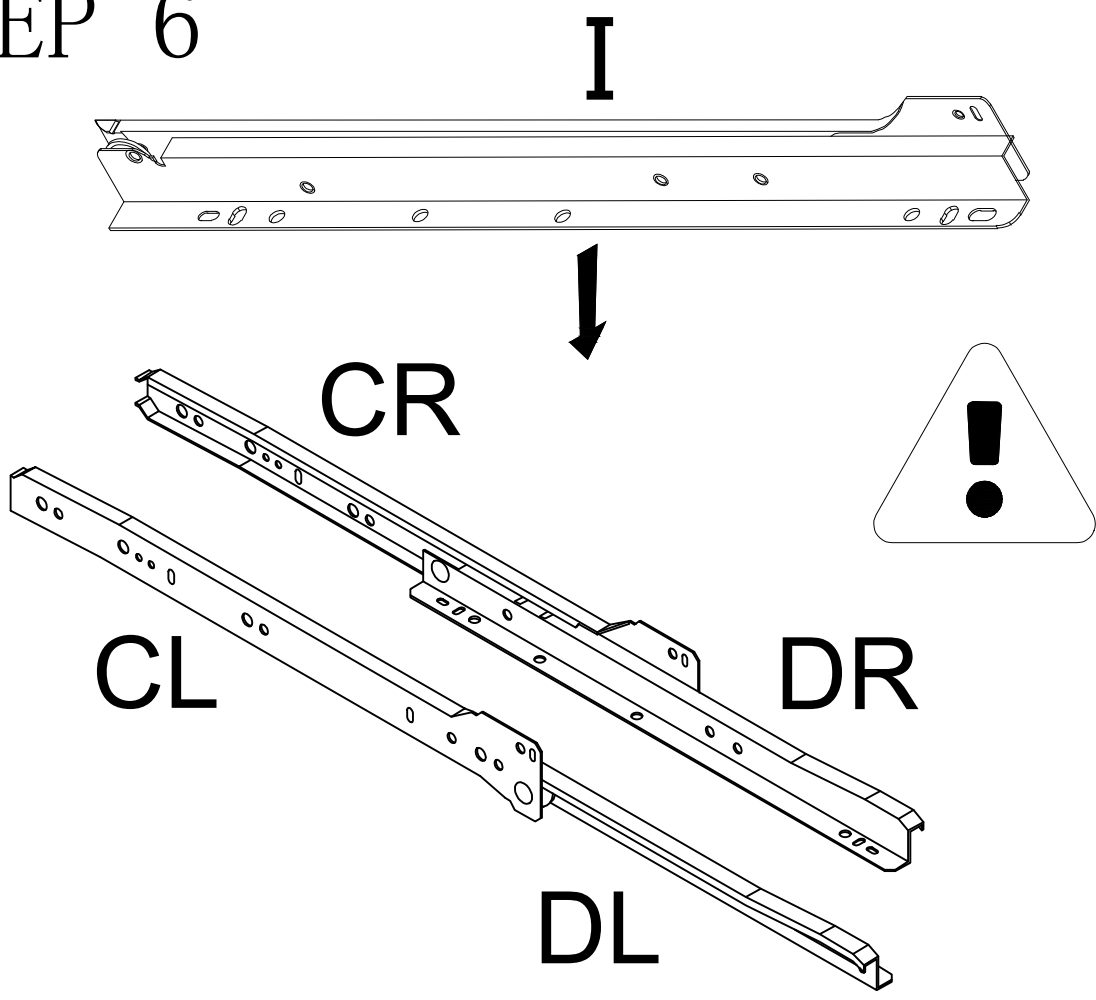
	A1 × 4PCS
---	-----------

STEP 5



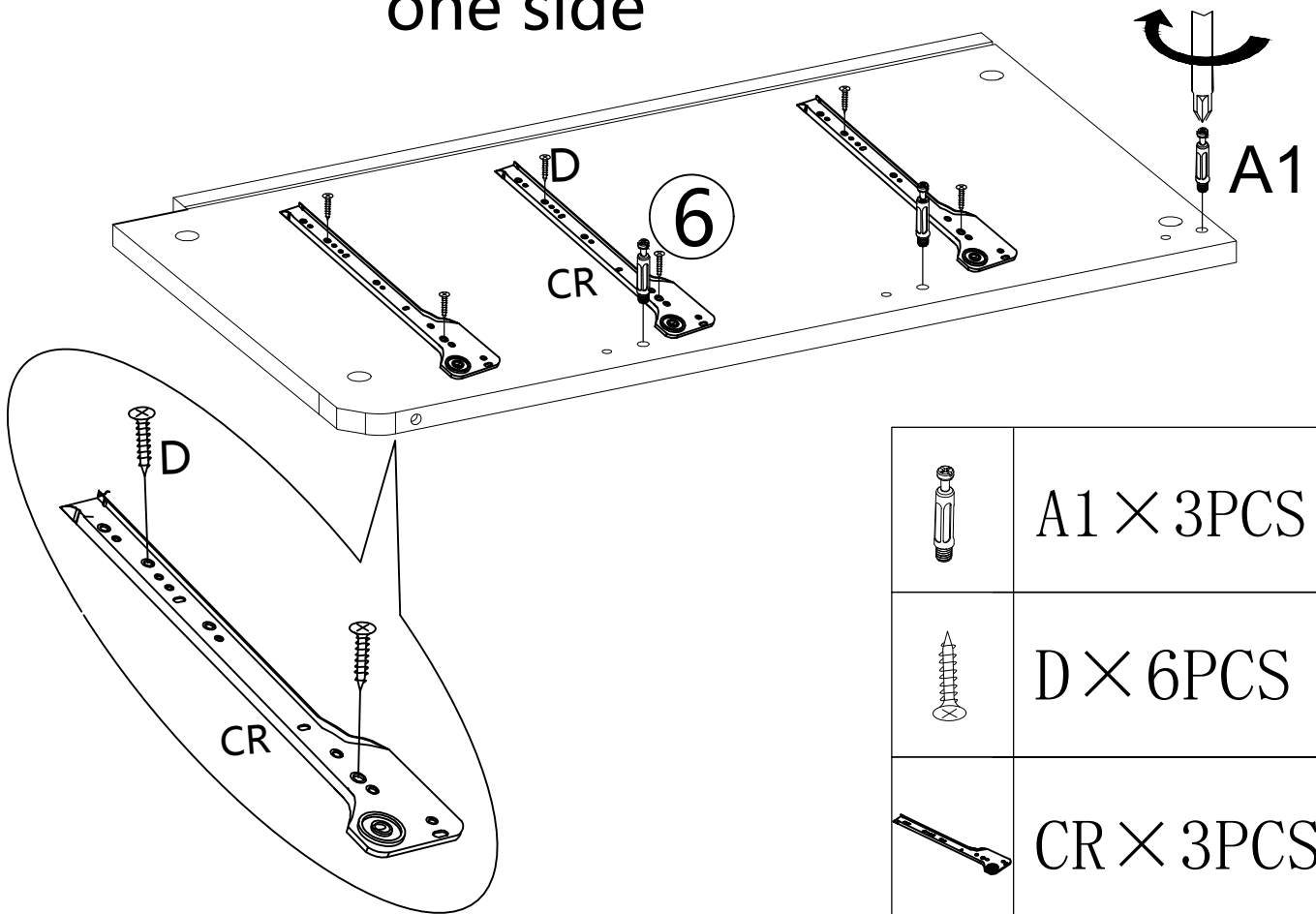
	A2 × 2PCS
	C × 2PCS




STEP 6



STEP 7

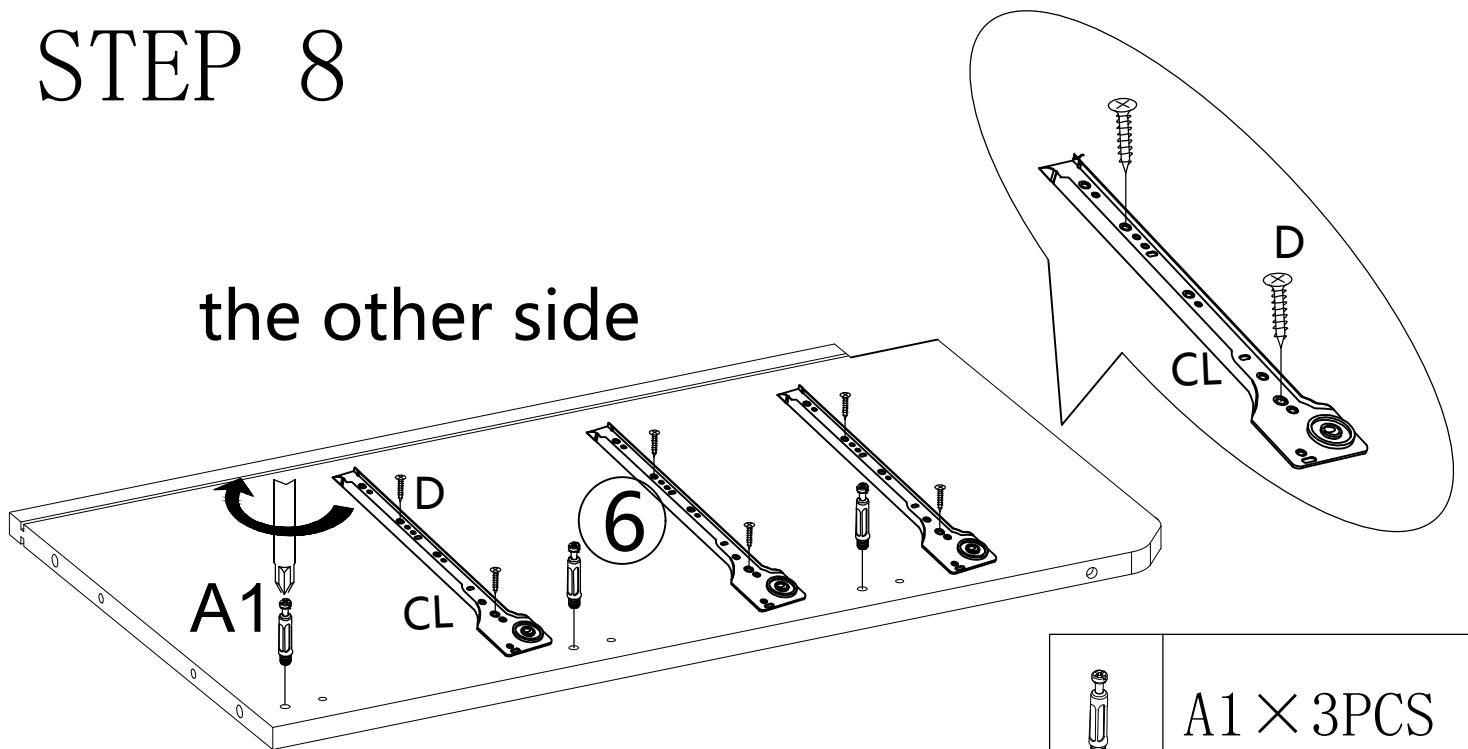
one side






	A1 × 3PCS
	D × 6PCS
	CR × 3PCS

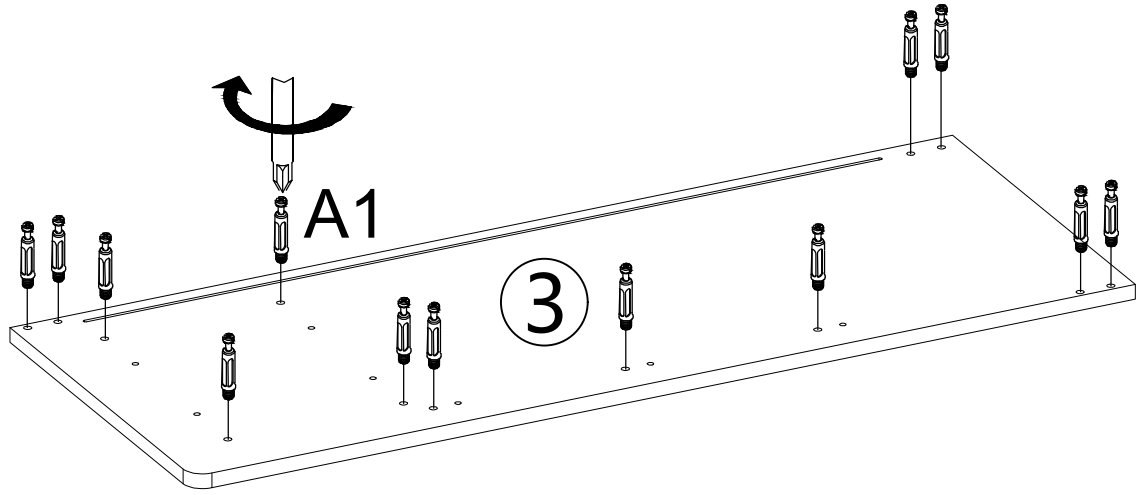
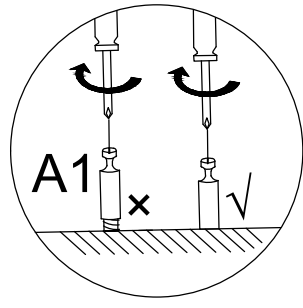
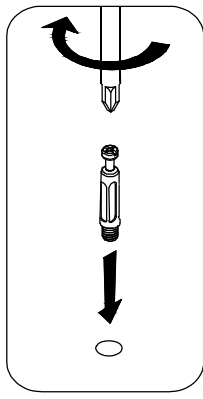
STEP 8


the other side



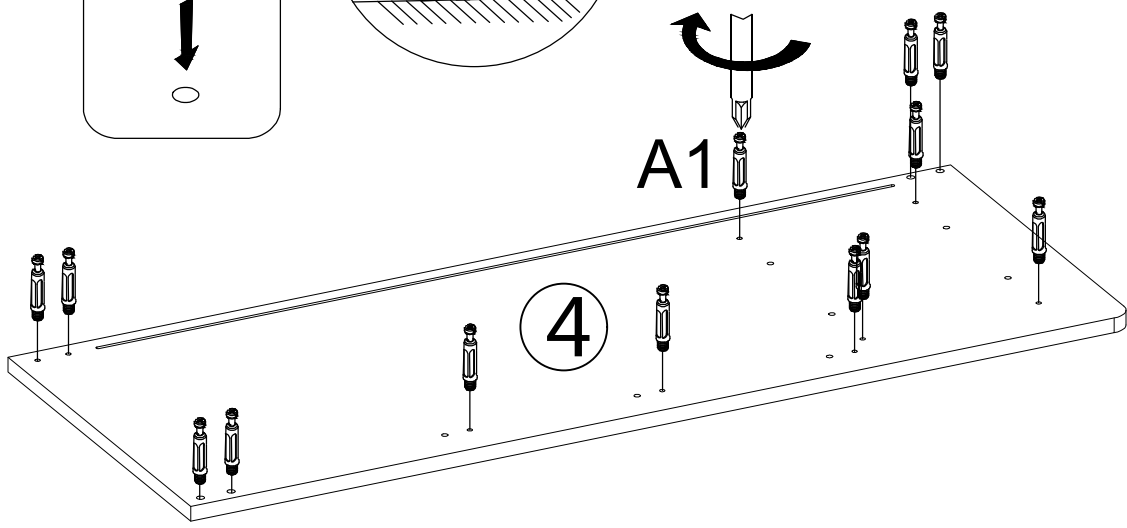
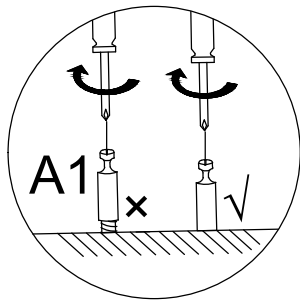
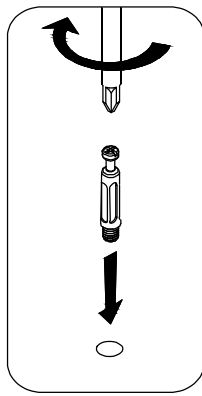
	A1 × 3PCS
	D × 6PCS
	CL × 3PCS


STEP 9



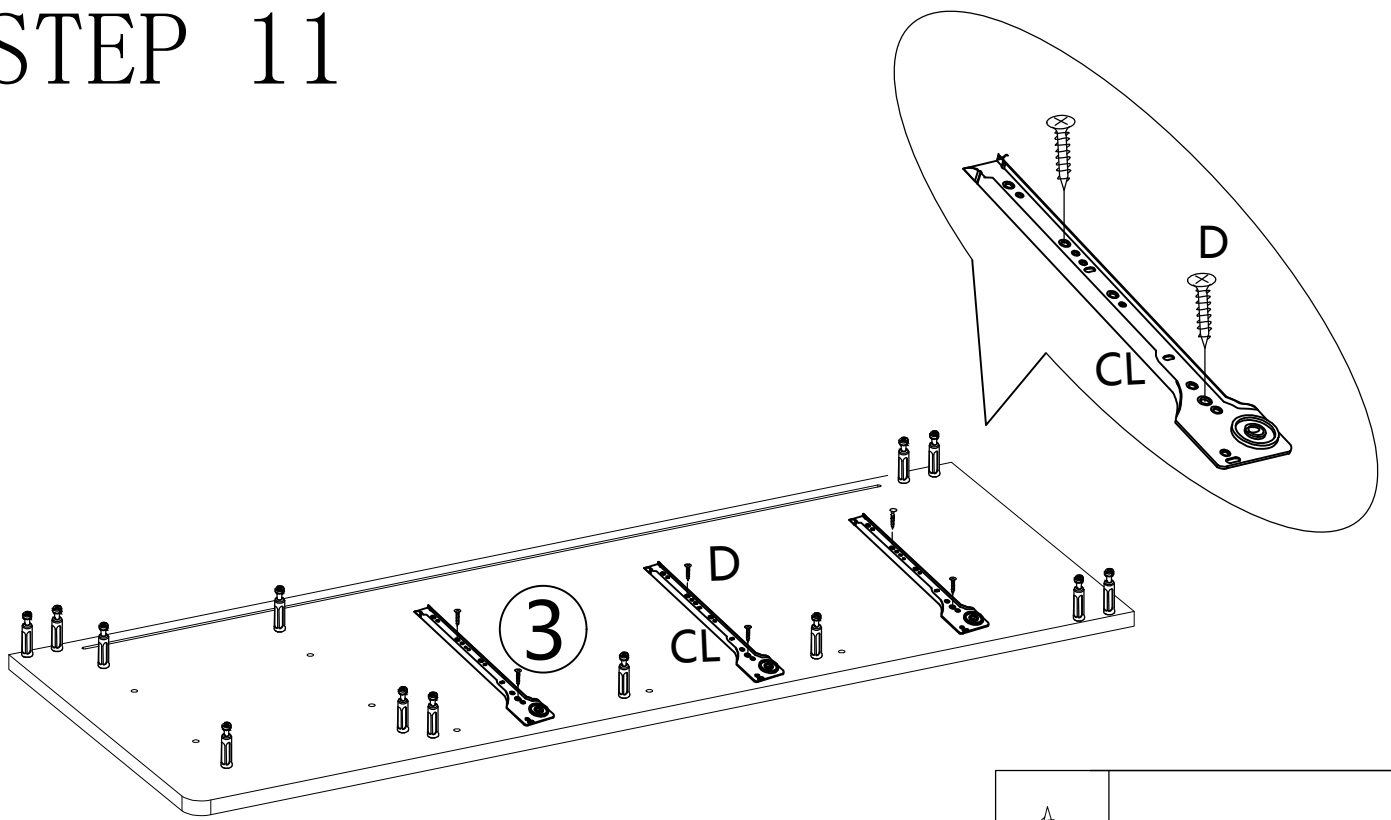
	A1 × 13PCS
---	------------



STEP 10



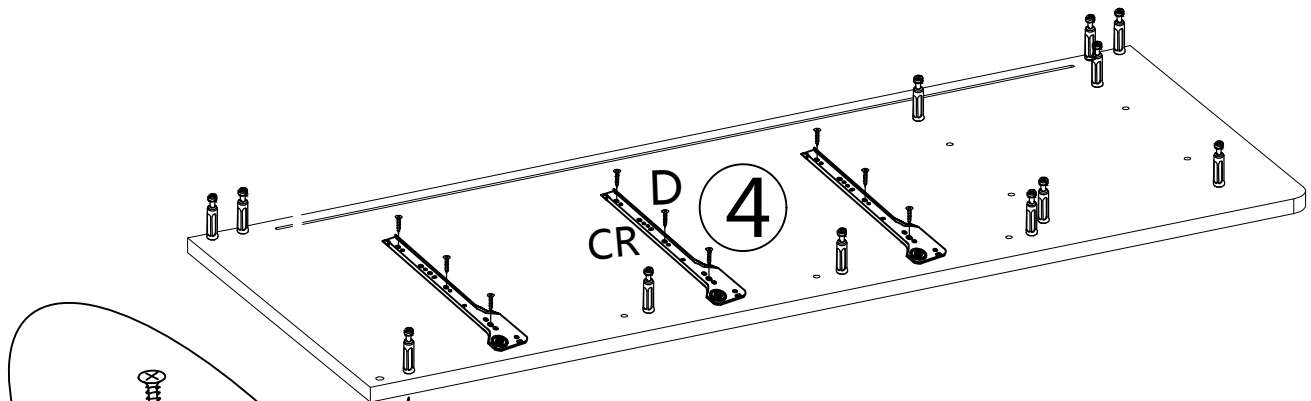
	A1 × 13PCS
---	------------



STEP 11



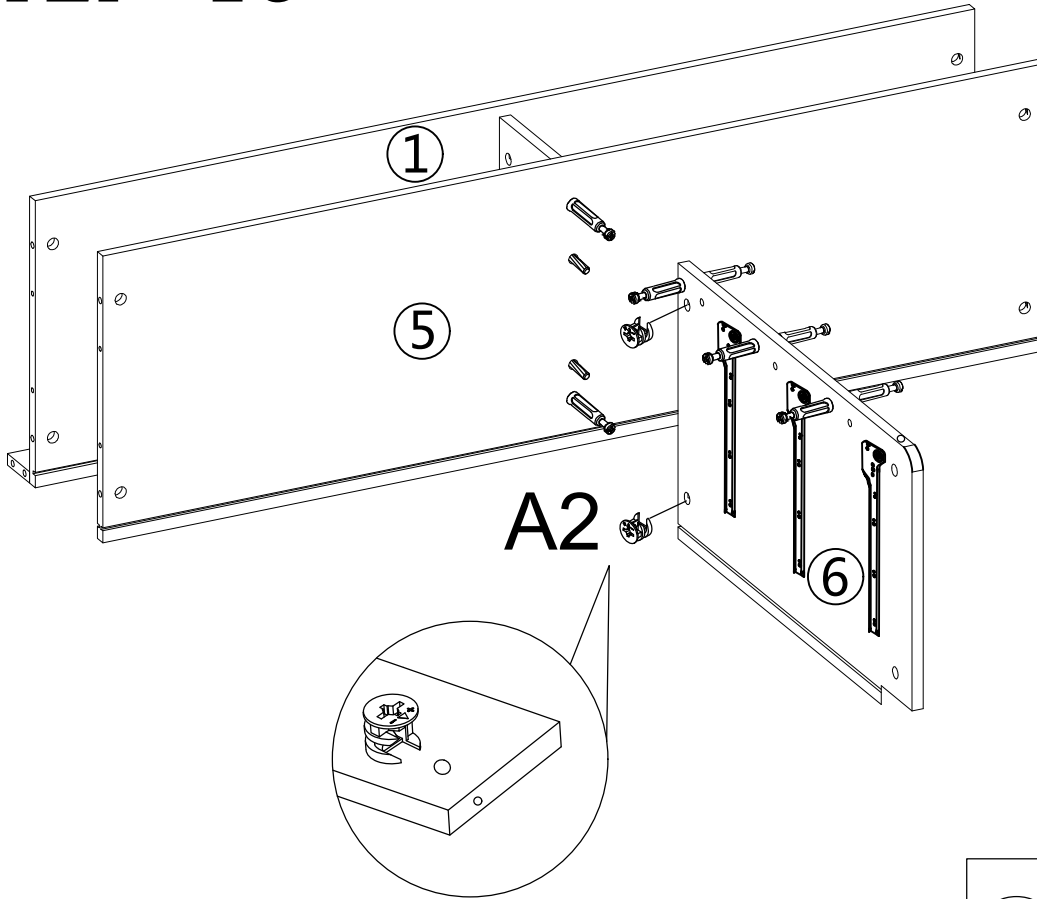
	D × 6PCS
	CL × 3PCS

STEP 12



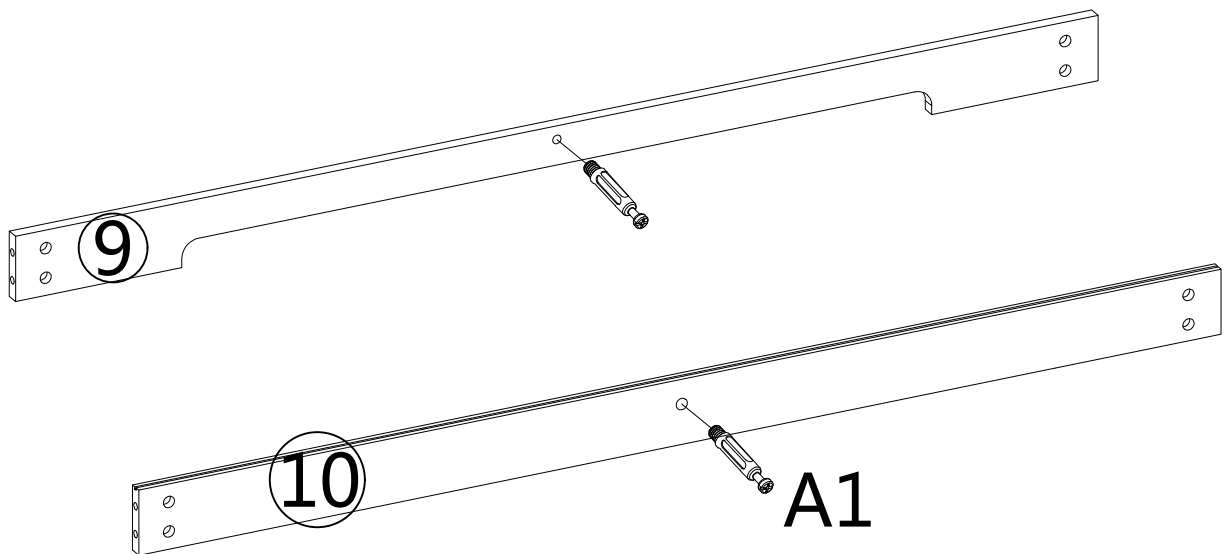
	D × 6PCS
	CR × 3PCS

STEP 13



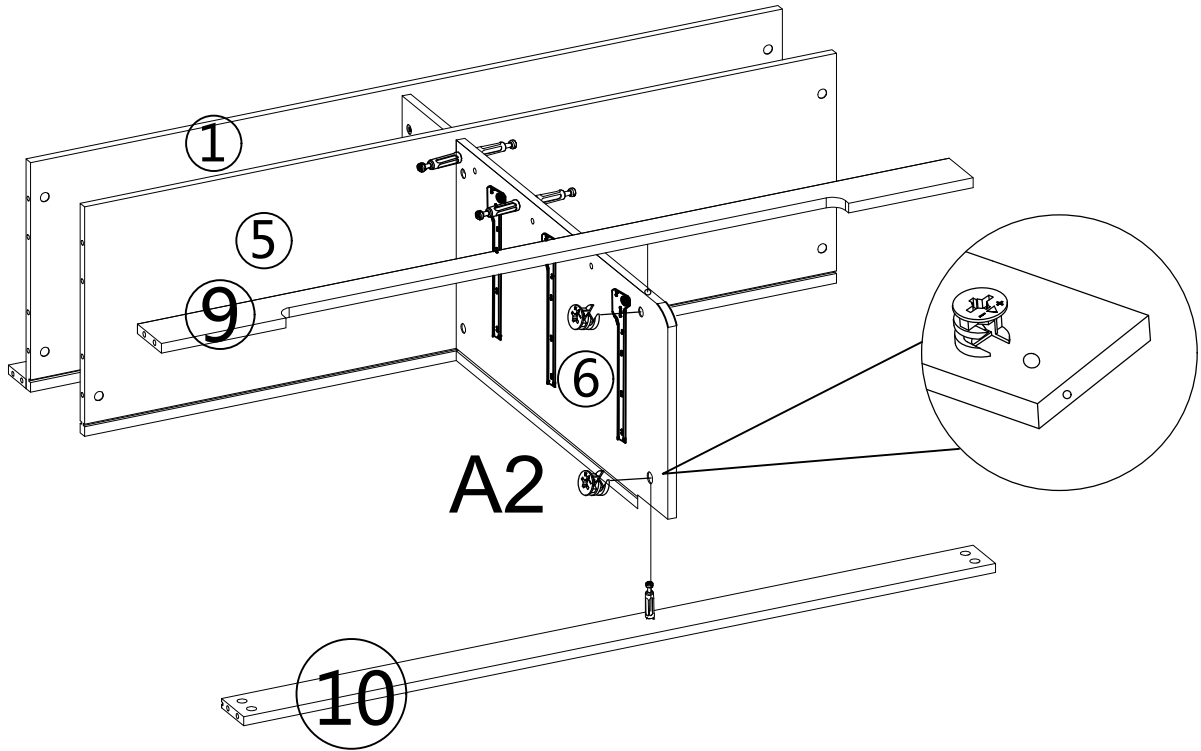
A2 × 2PCS

STEP 14



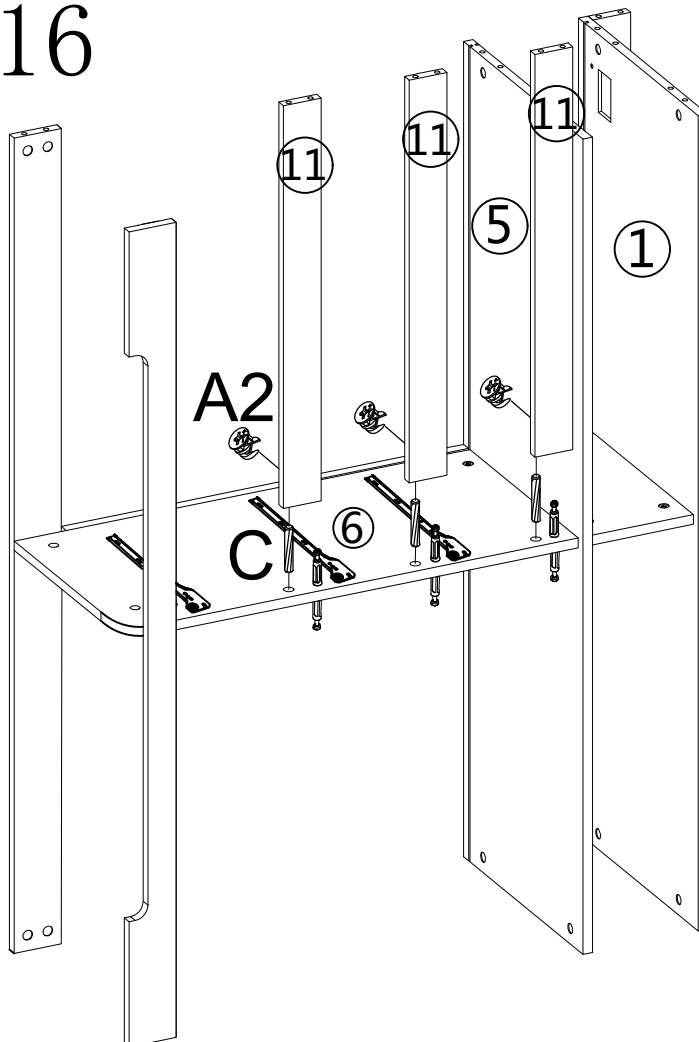
A1 × 2PCS

STEP 15



A2 × 2PCS

STEP 16

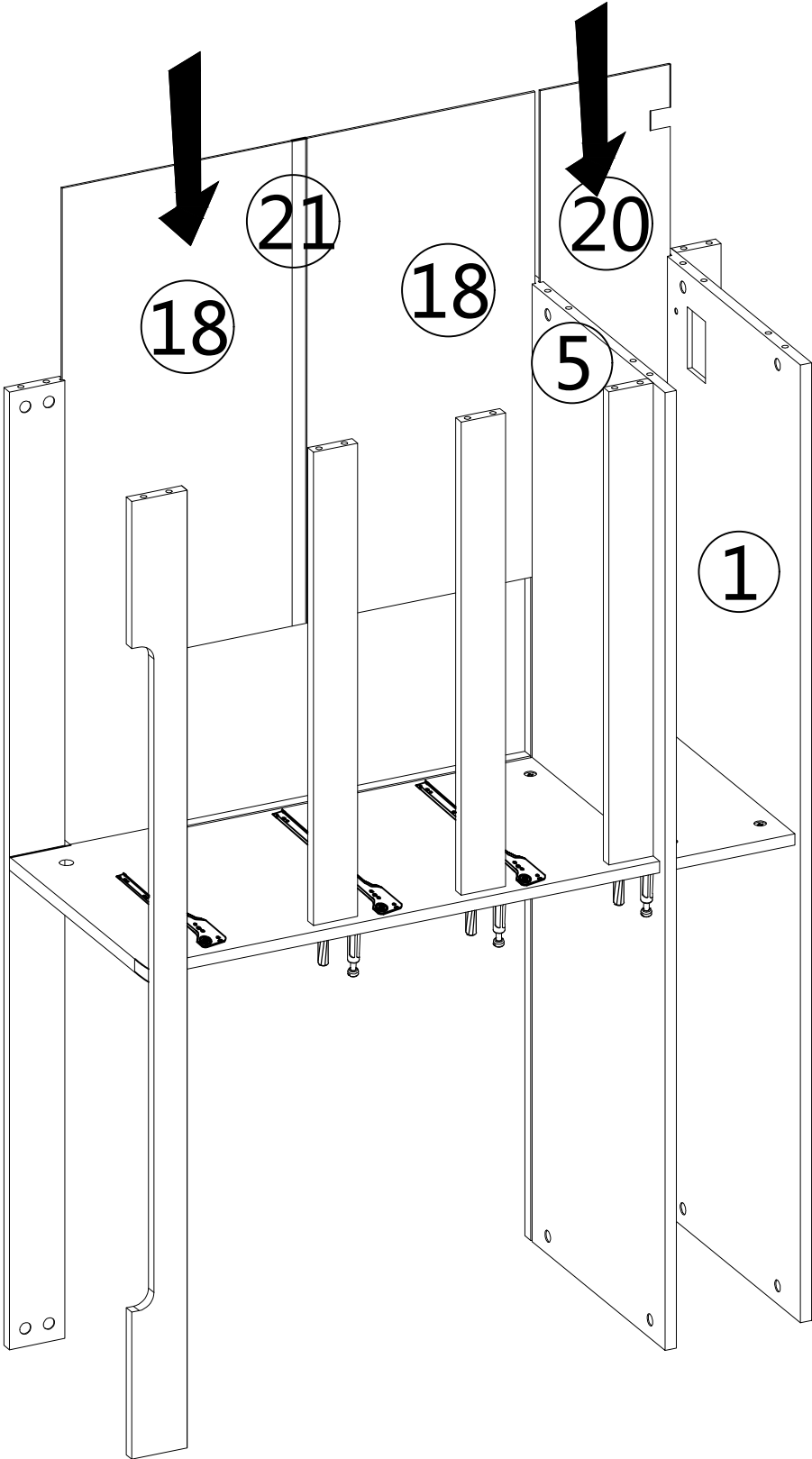


A2 × 3PCS

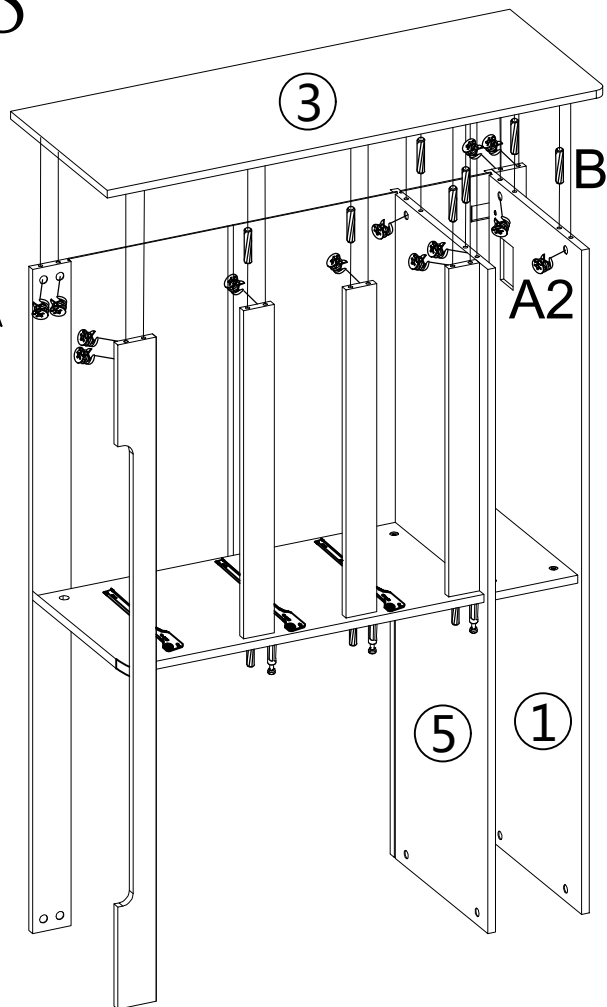
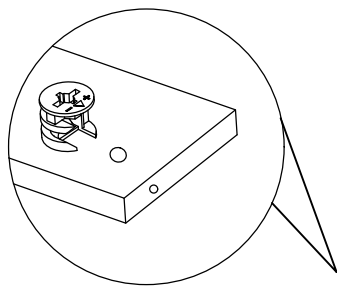




C × 3PCS

STEP 17

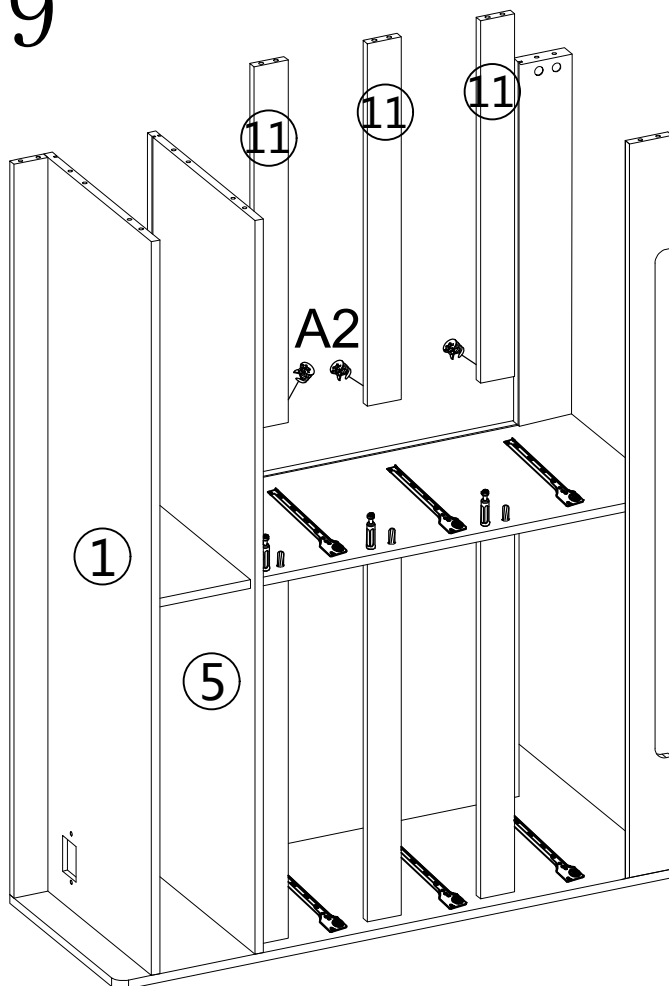



STEP 18



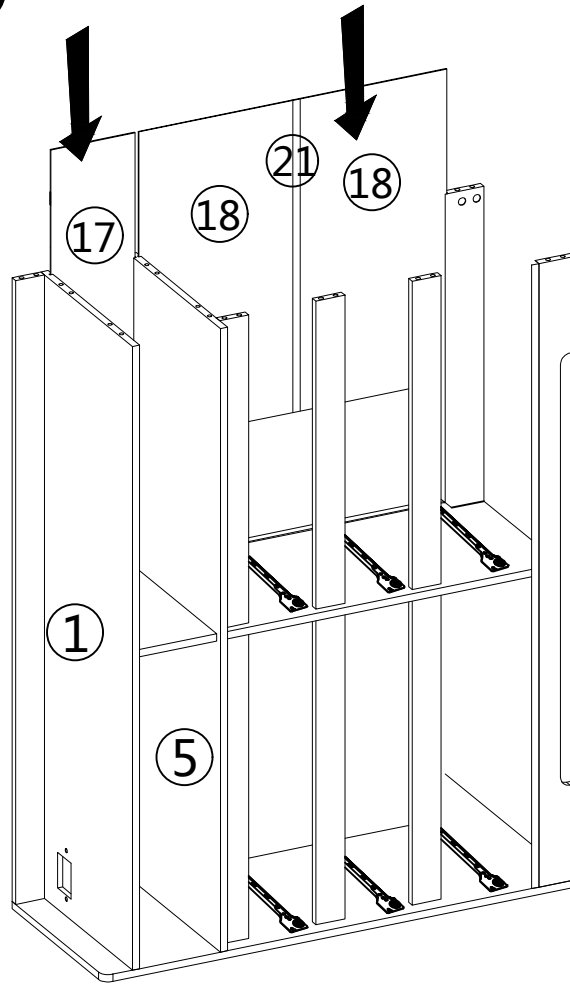
	A2 × 13PCS
	B × 7PCS

STEP 19

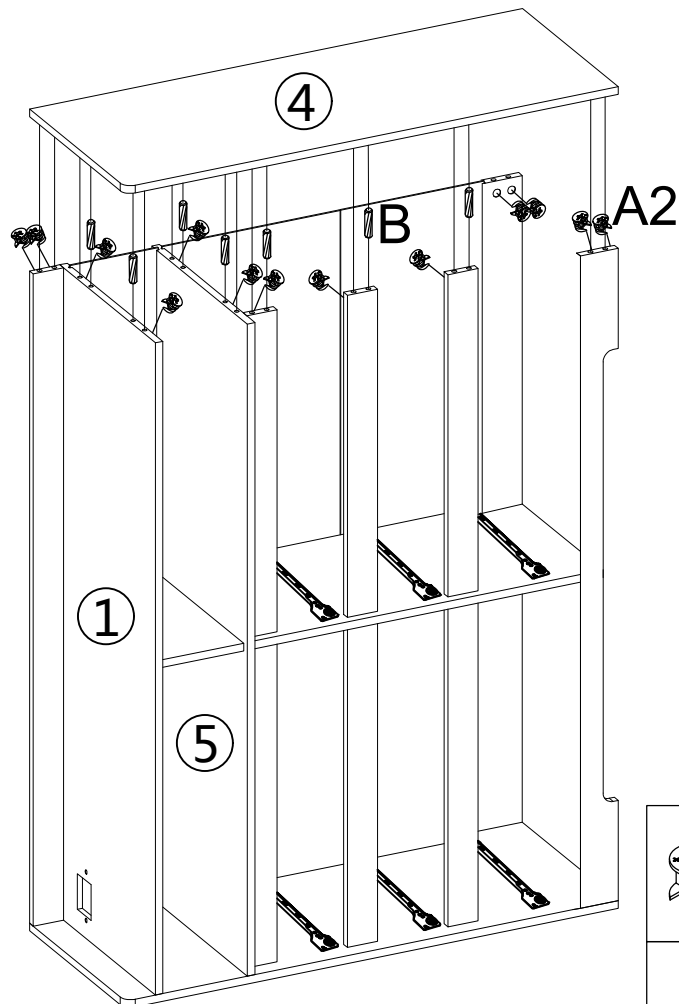
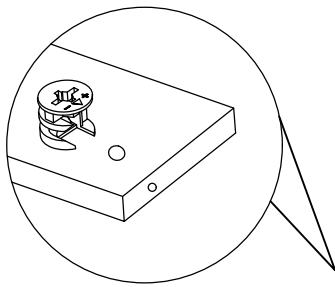




	A2 × 3PCS
---	-----------

STEP 20

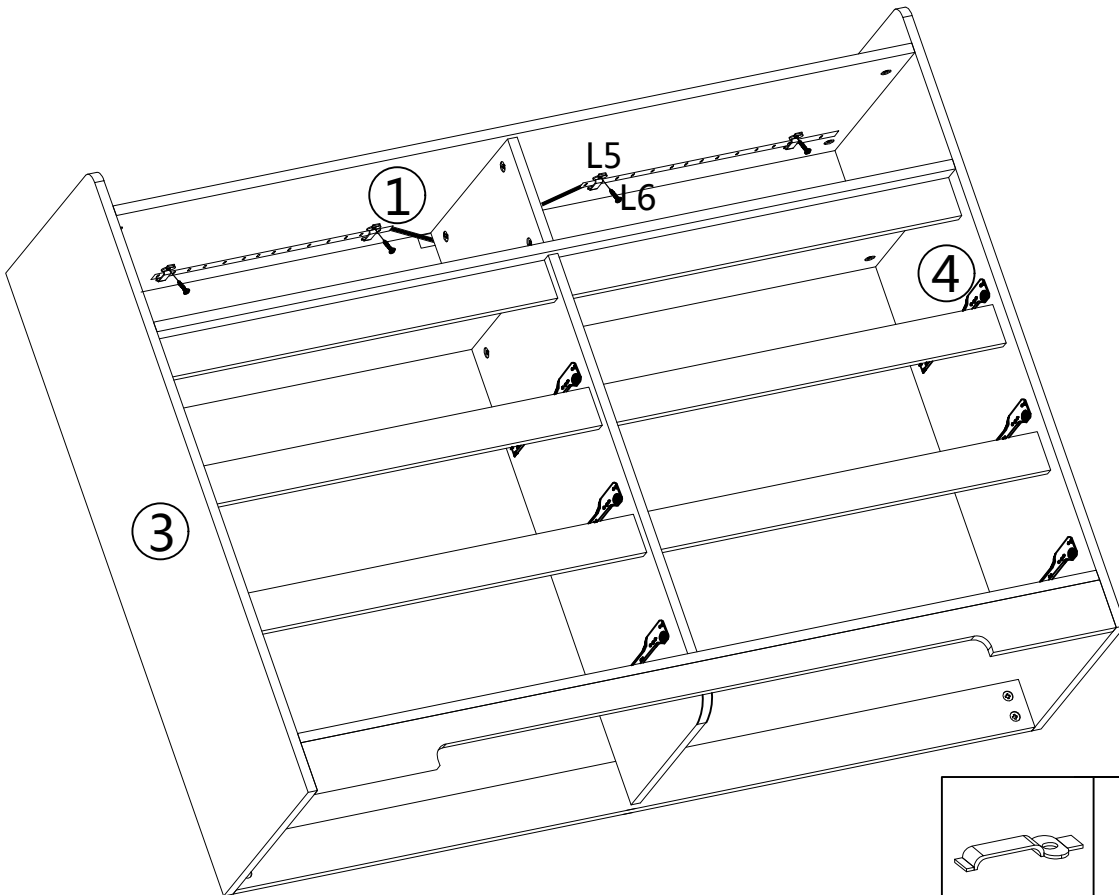
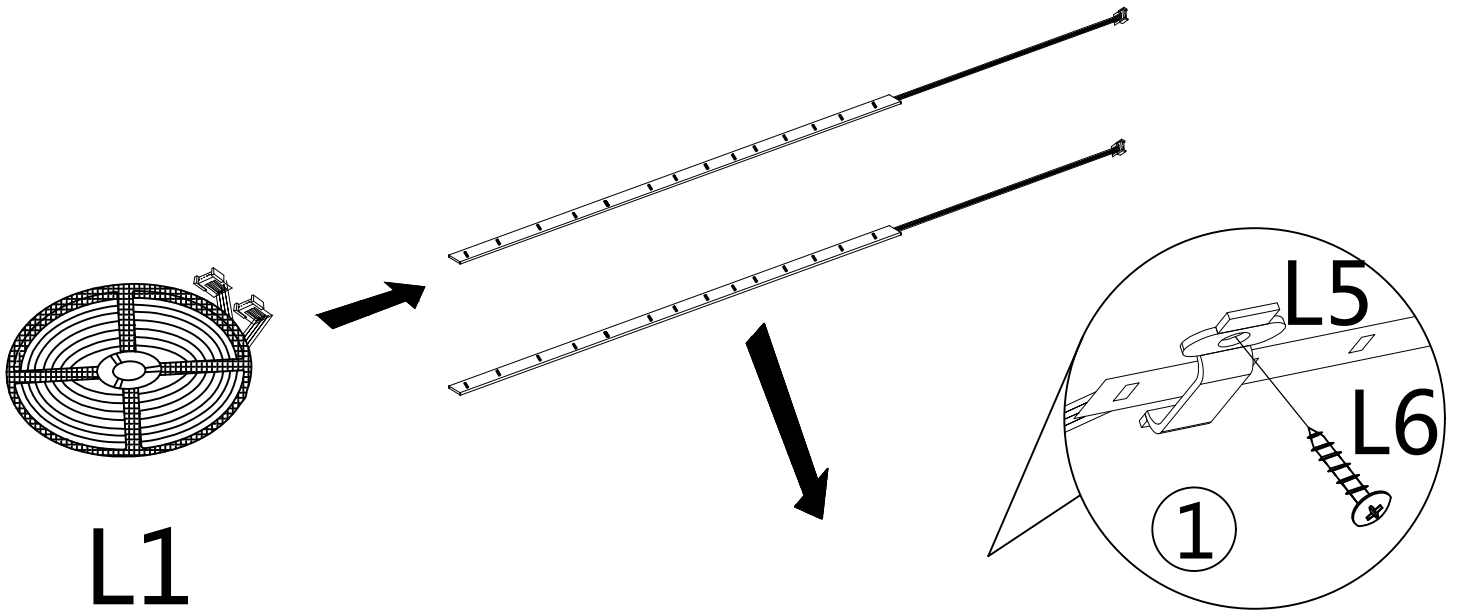



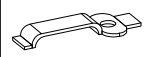

STEP 20



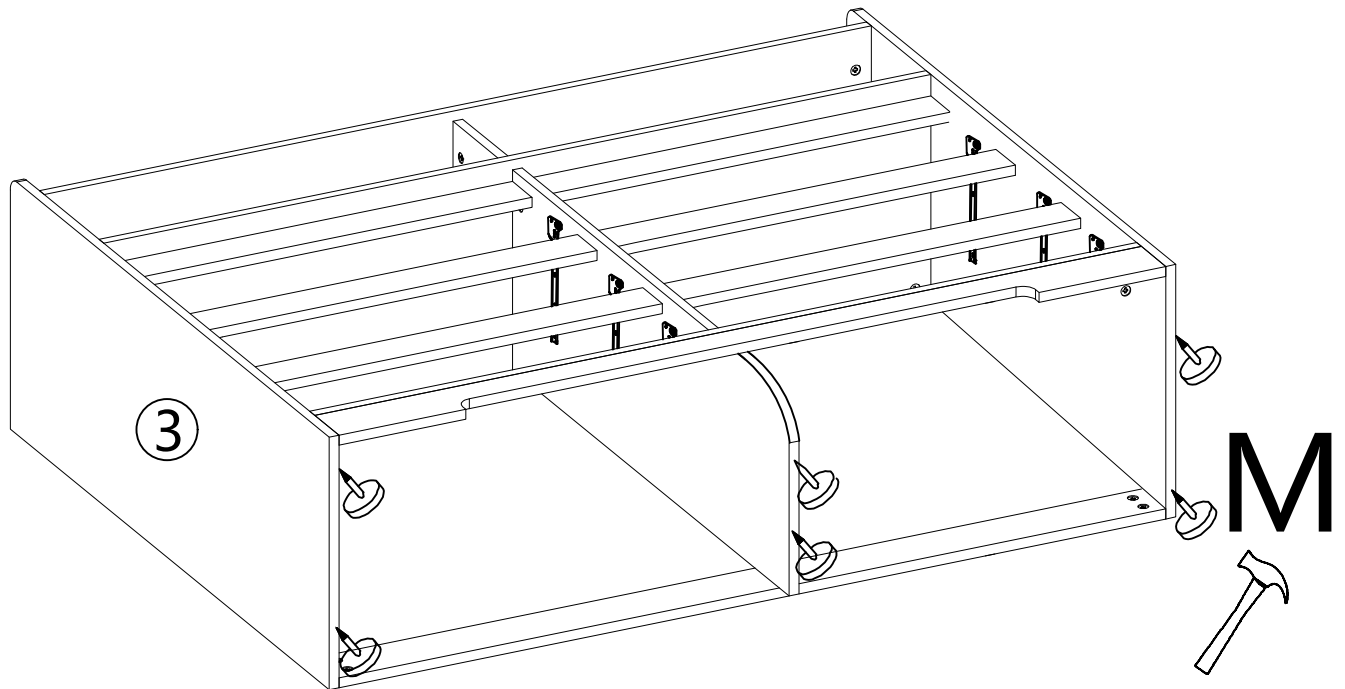
	A2 × 13PCS
	B × 7PCS


STEP 22



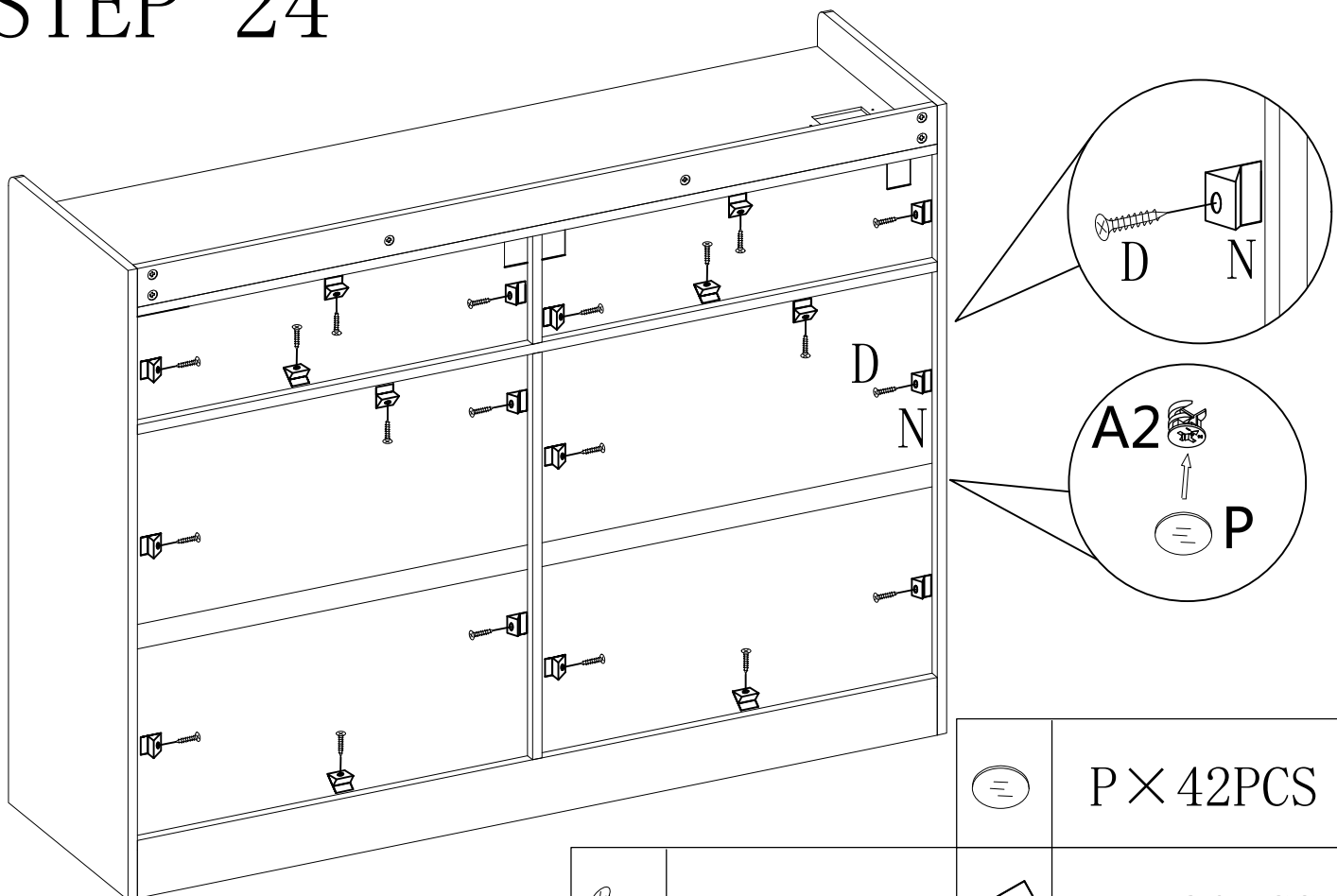
	L1 × 1PC		L5 × 4PCS
			L6 × 4PCS

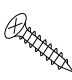
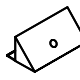

STEP 23



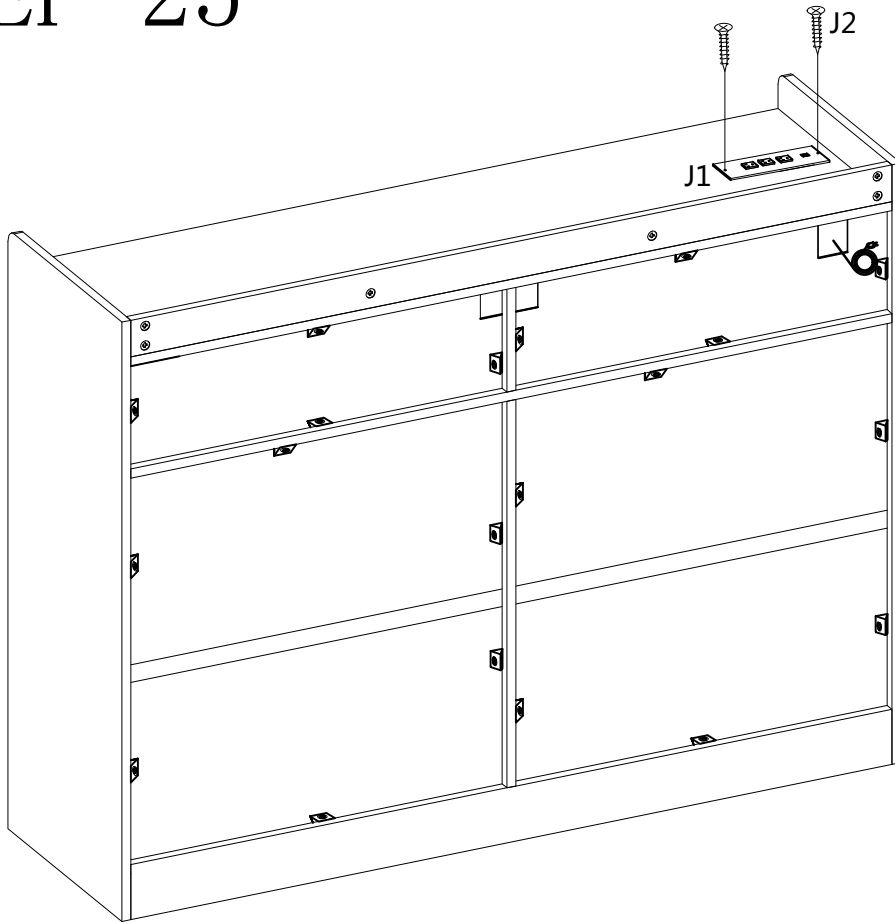
	M × 6PCS
--	----------



STEP 24



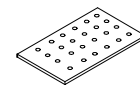
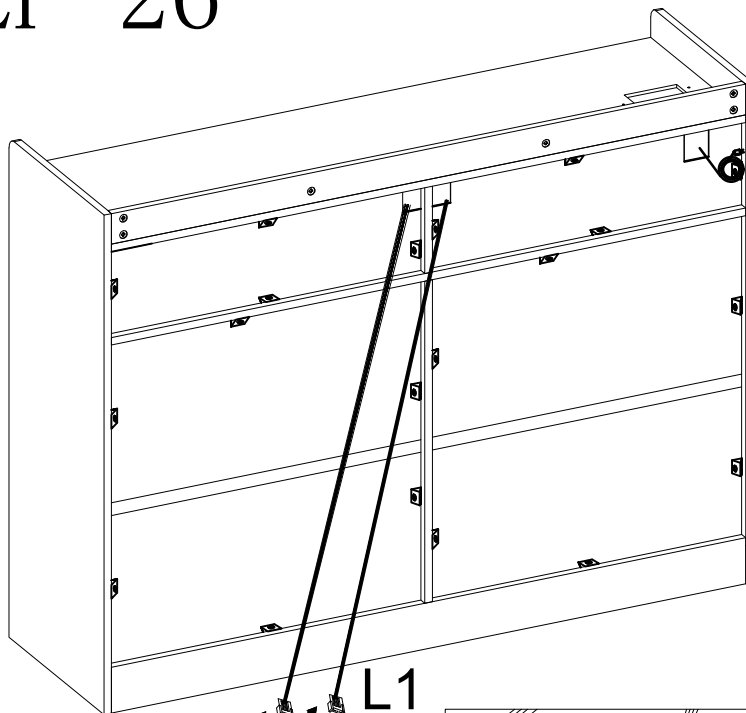
	D × 20PCS		N × 20PCS
	P × 42PCS		

STEP 25



 J1*1  J2*2	J × 1PC
--	---------

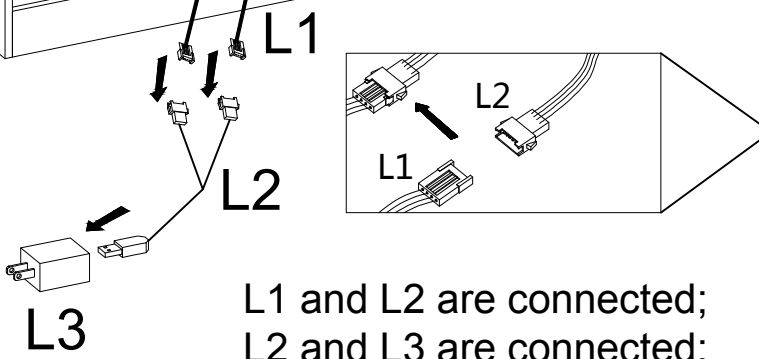
STEP 26


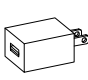
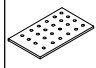


L4

Last: lug the L3 into the power supply !
L4 can be adjusted !

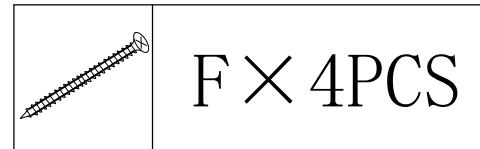
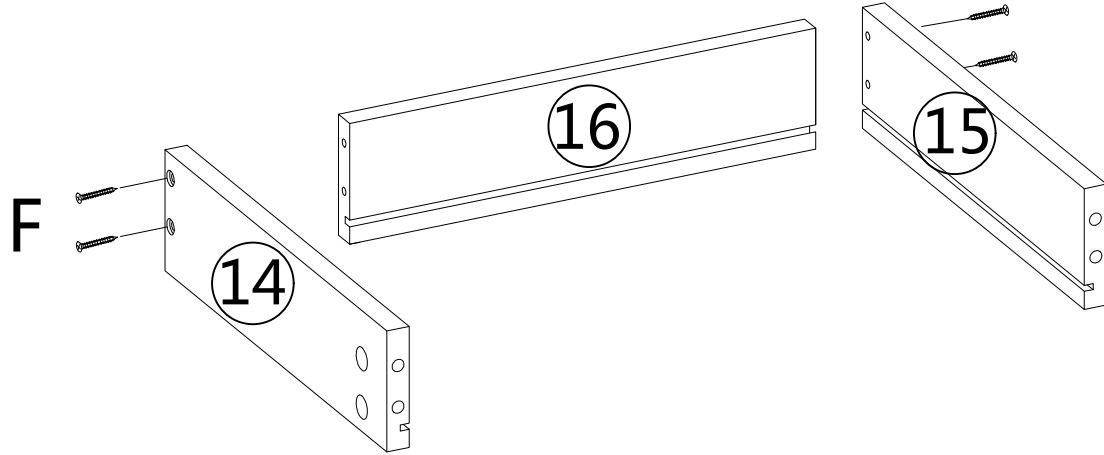
Make sure the arrows are in the same position !



	L2 × 1PC
	L3 × 1PC
	L4 × 1PC

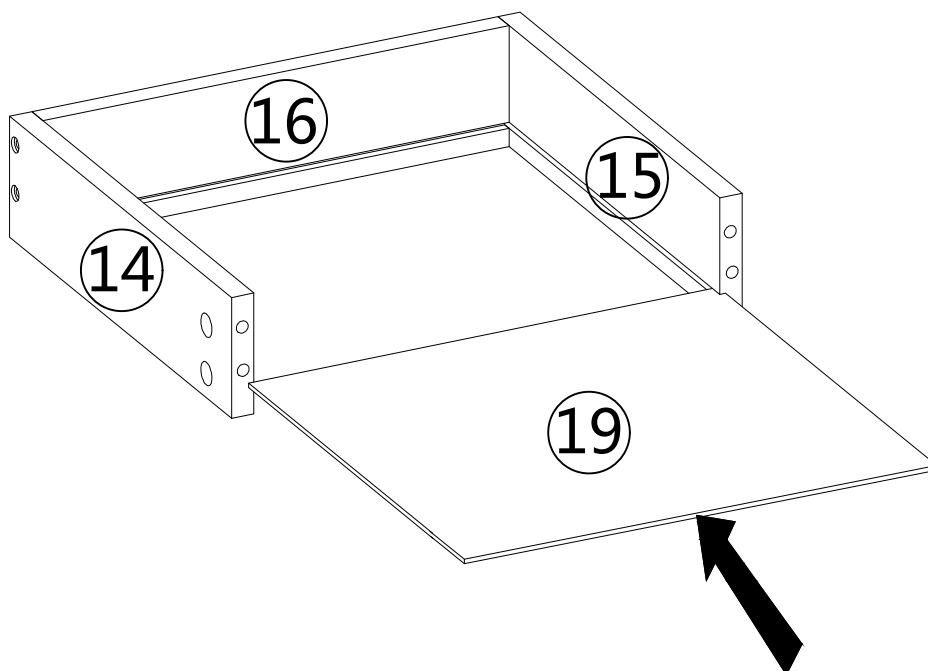
STEP 27

X6



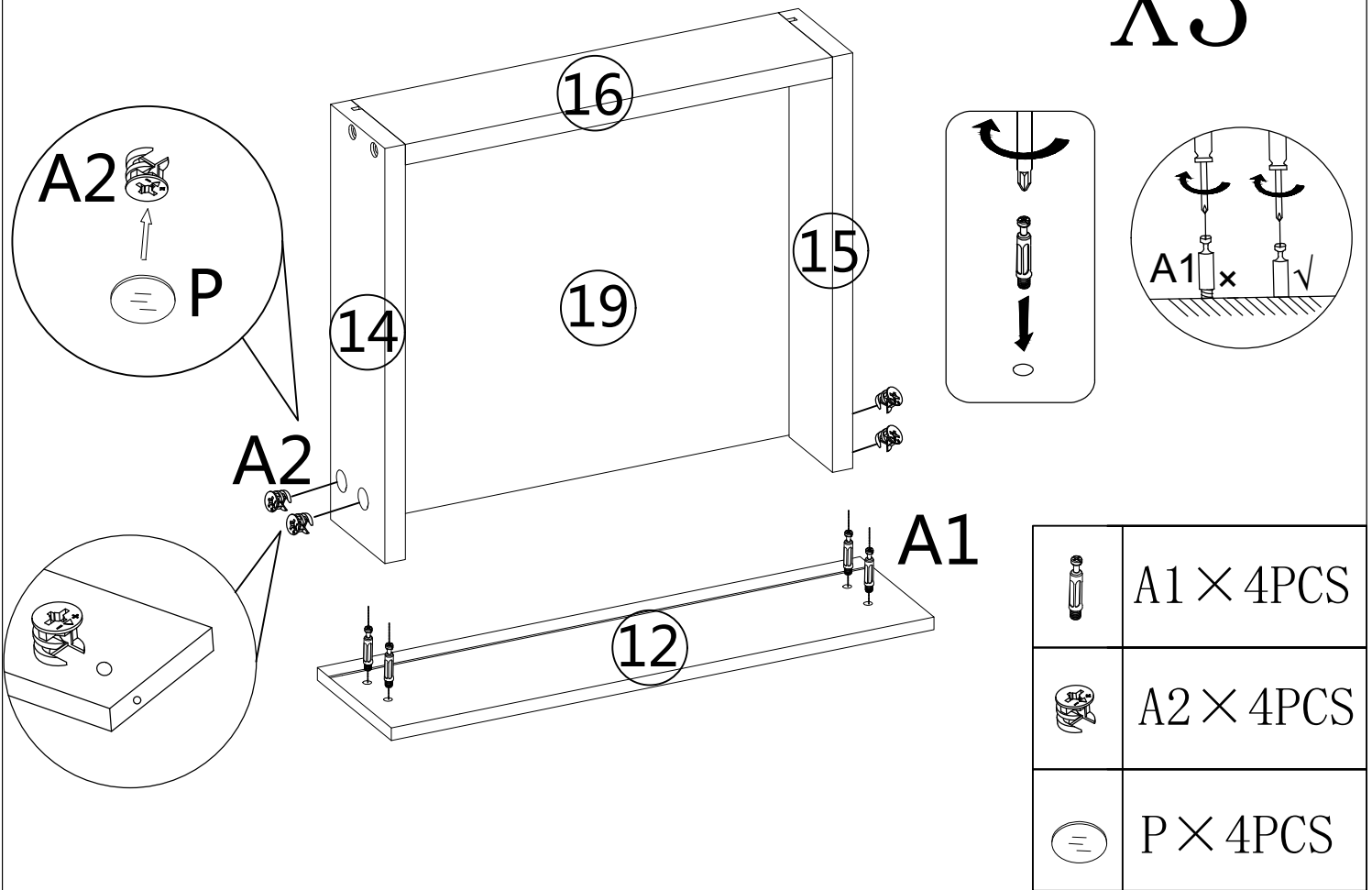
STEP 28

X6



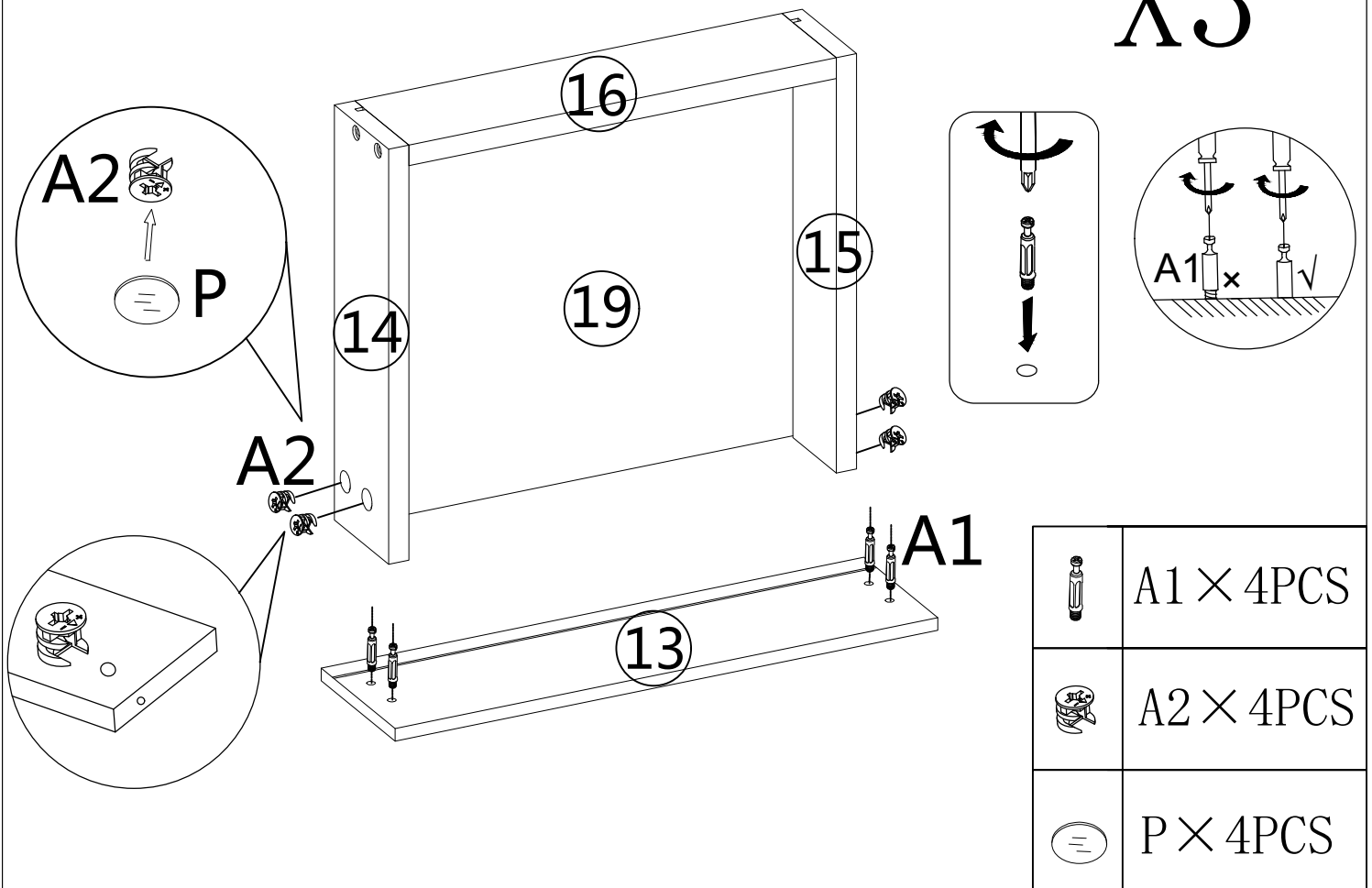
STEP 29

X3



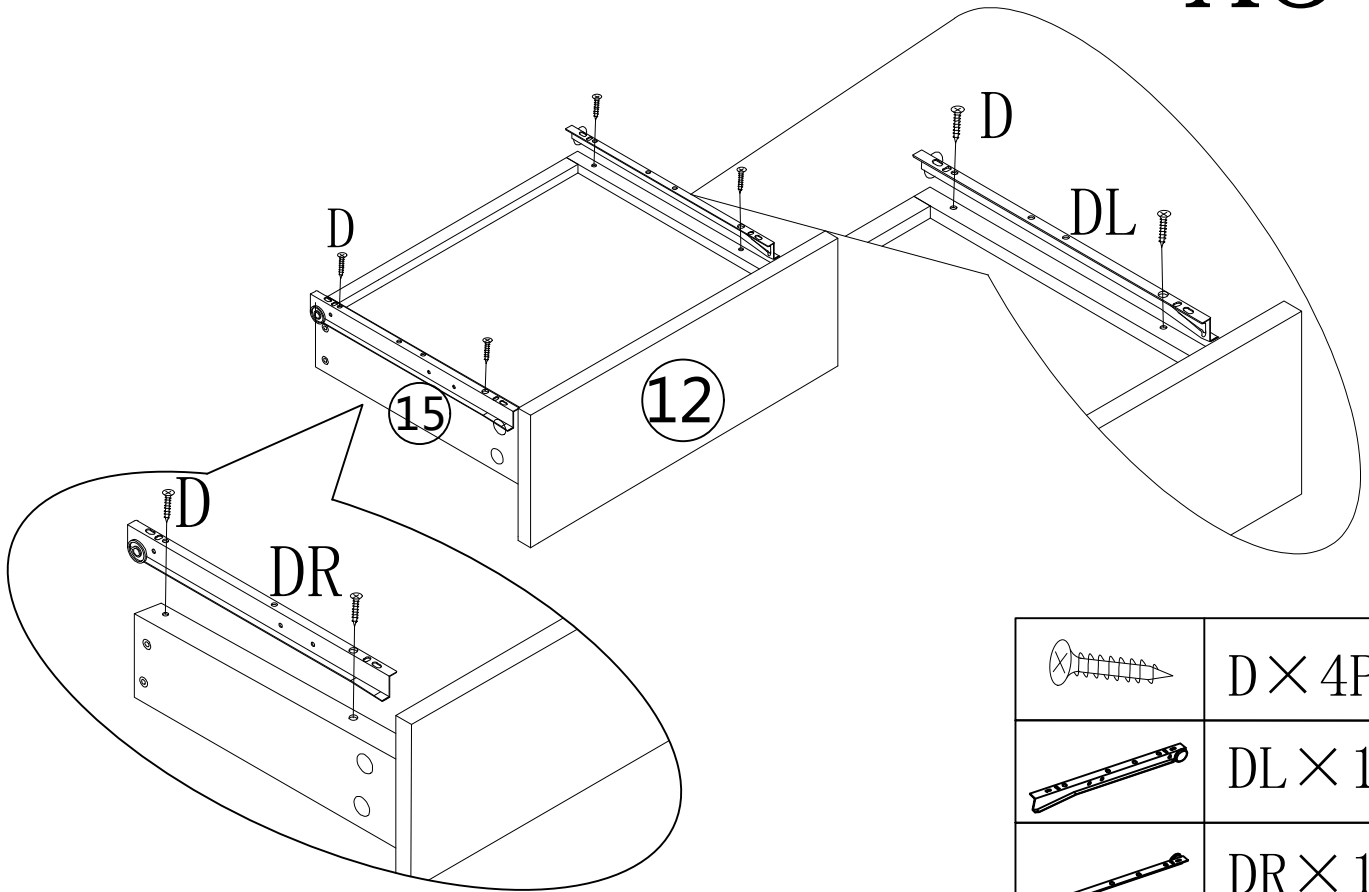
STEP 30

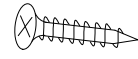


X3



STEP 31

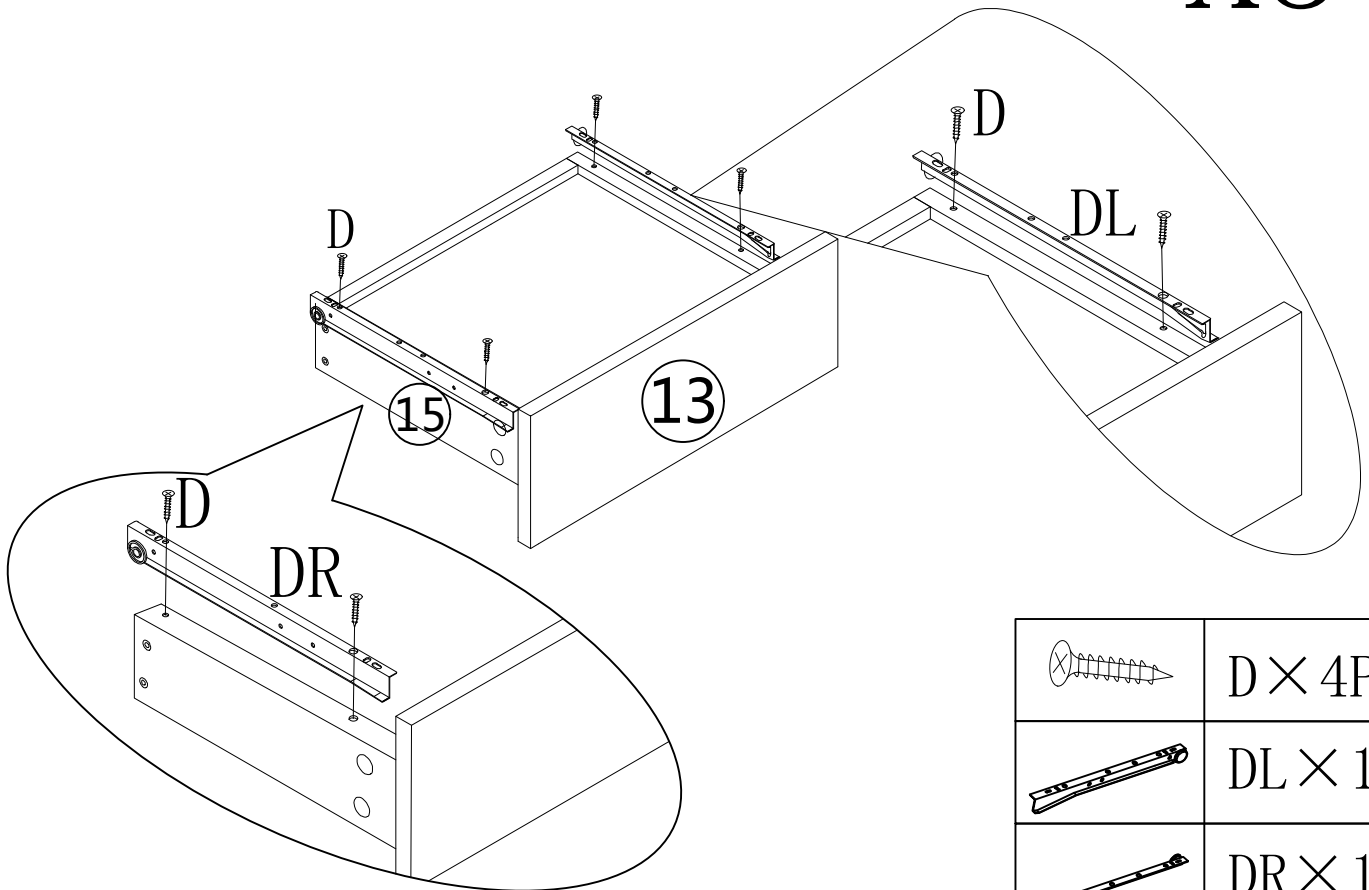
X3

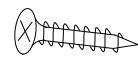




	D × 4PCS
	DL × 1PC
	DR × 1PC

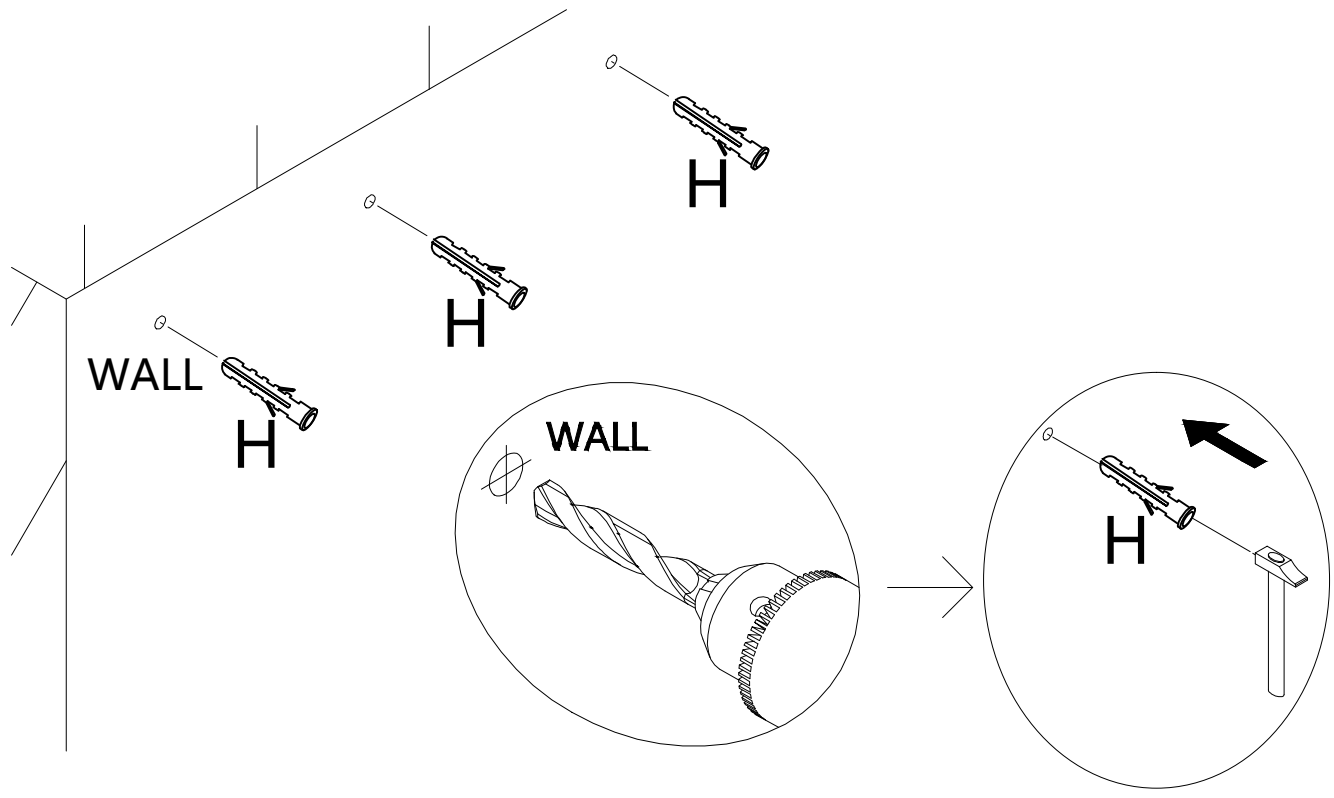
STEP 32

X3



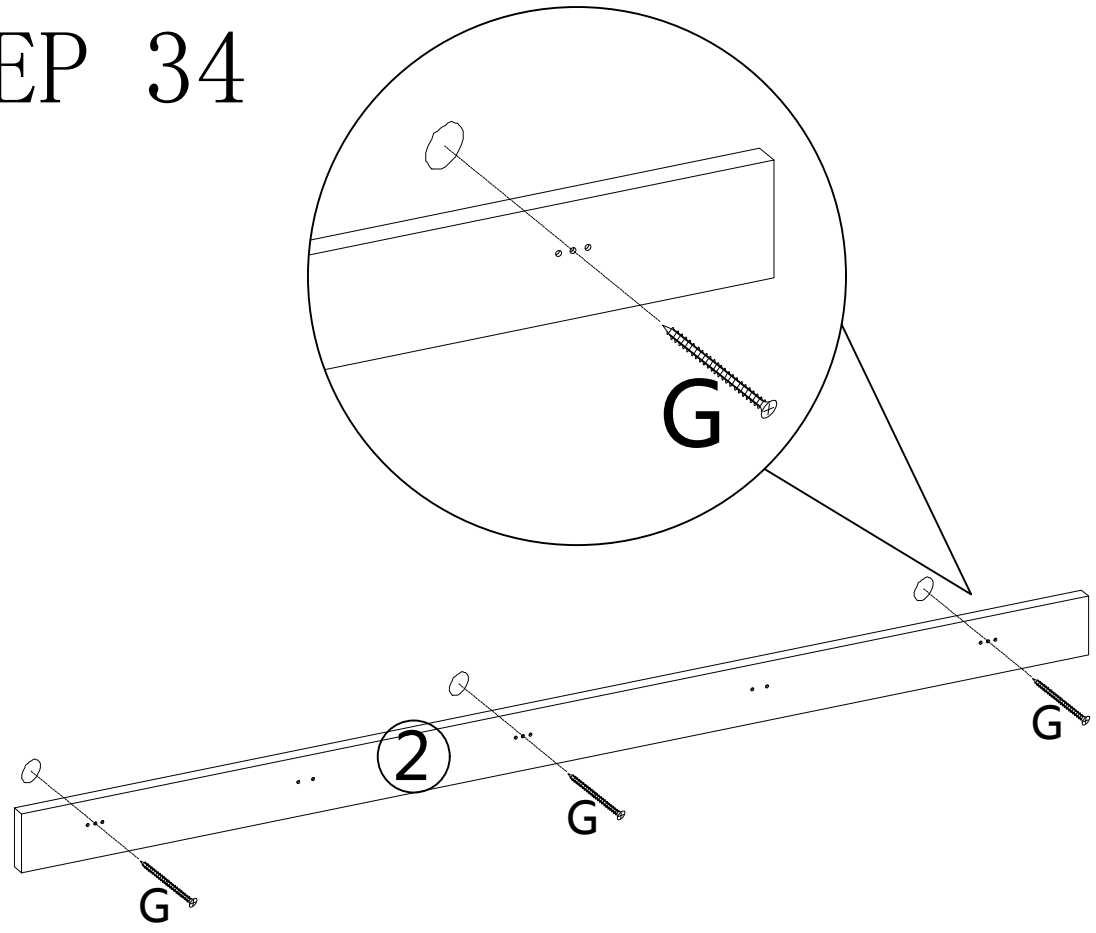
	D × 4PCS
	DL × 1PC
	DR × 1PC


STEP 33



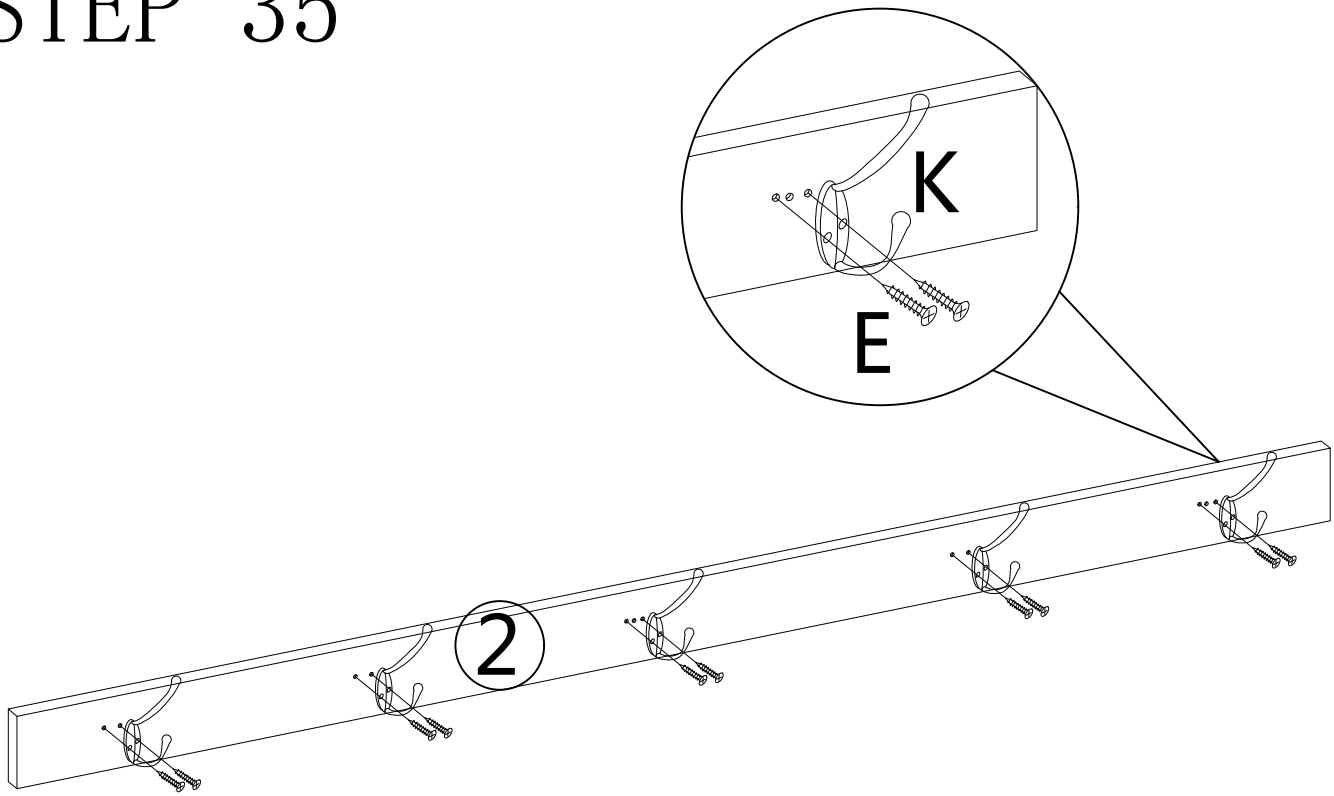
	H × 3PCS
---	----------

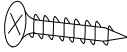

STEP 34



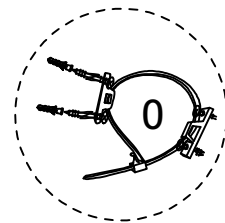
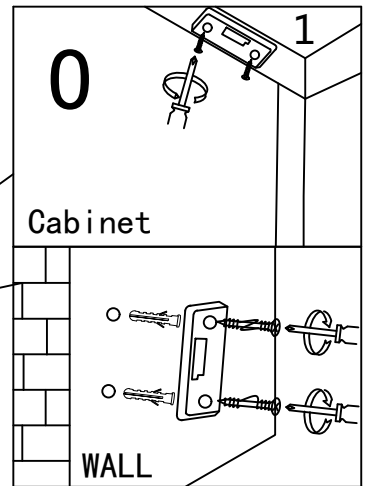
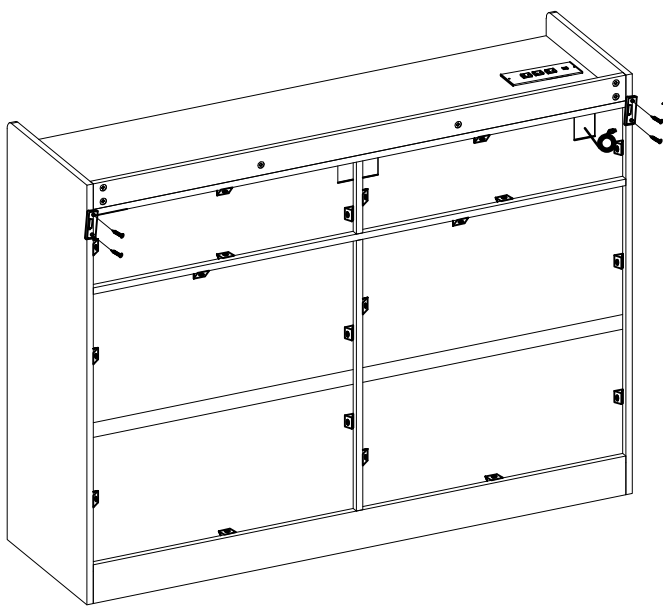
	G × 3PCS
---	----------

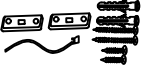
STEP 35



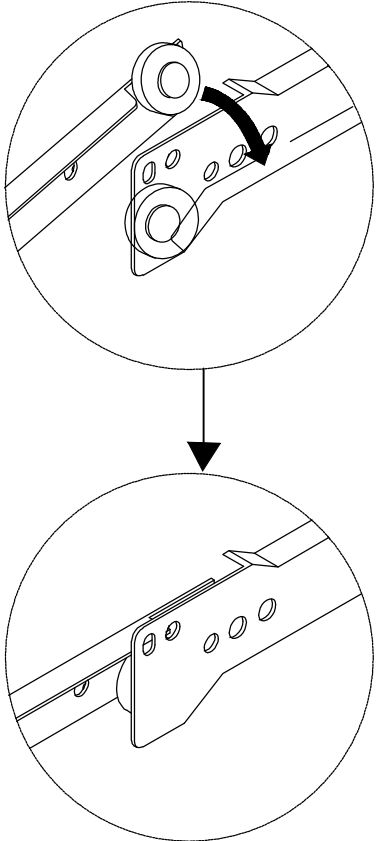
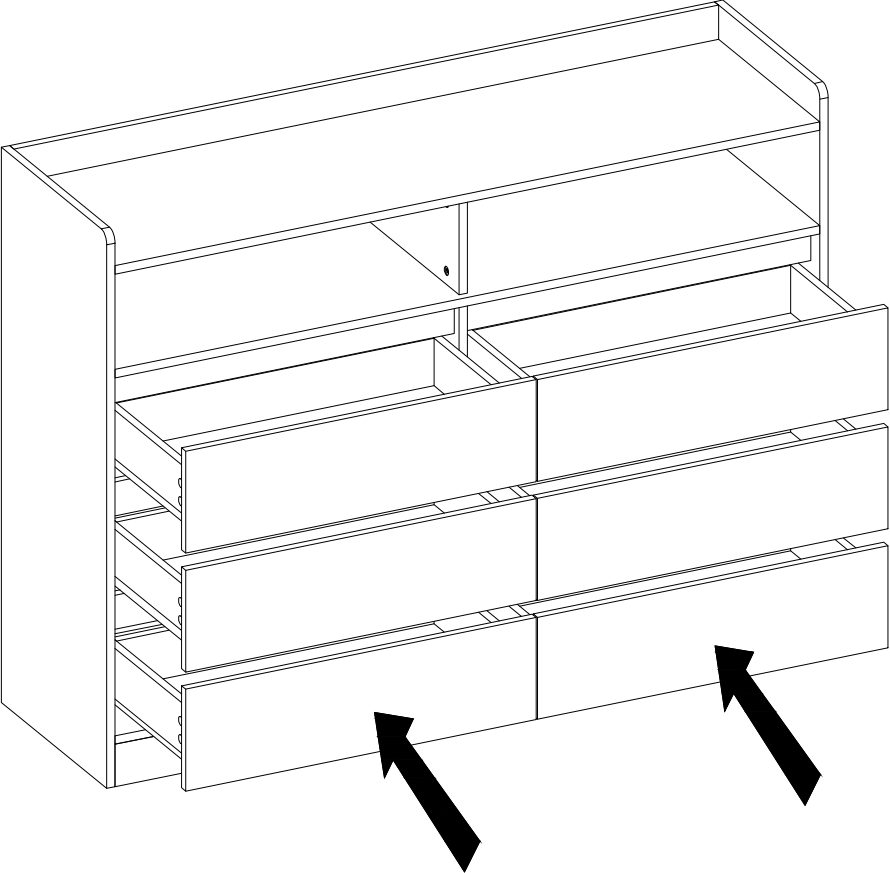
	E × 10PCS		K × 5PCS
---	-----------	---	----------

STEP 36



	0 × 2PCS
---	----------

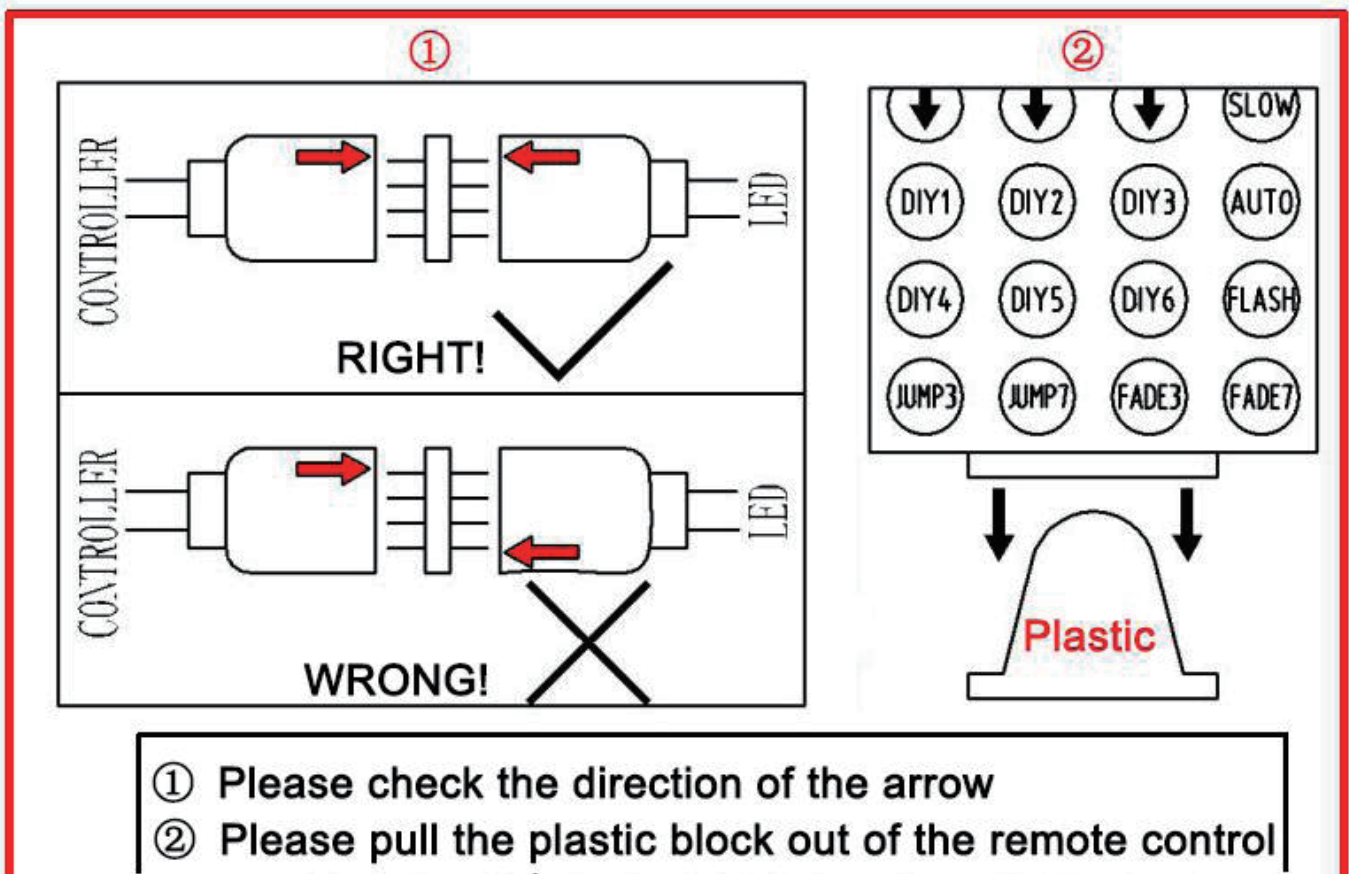
STEP 37



LED Light

If you can't let the lights work successfully, please check the following:

1. Please check the direction of the connect, try it in the opposite direction, according to the following picture.
2. Please check the remote control, it need you to tear down the plastic septum before use it.
3. Don't let the remote control too far from the receiver, make sure there is no obstruction between them.



END

