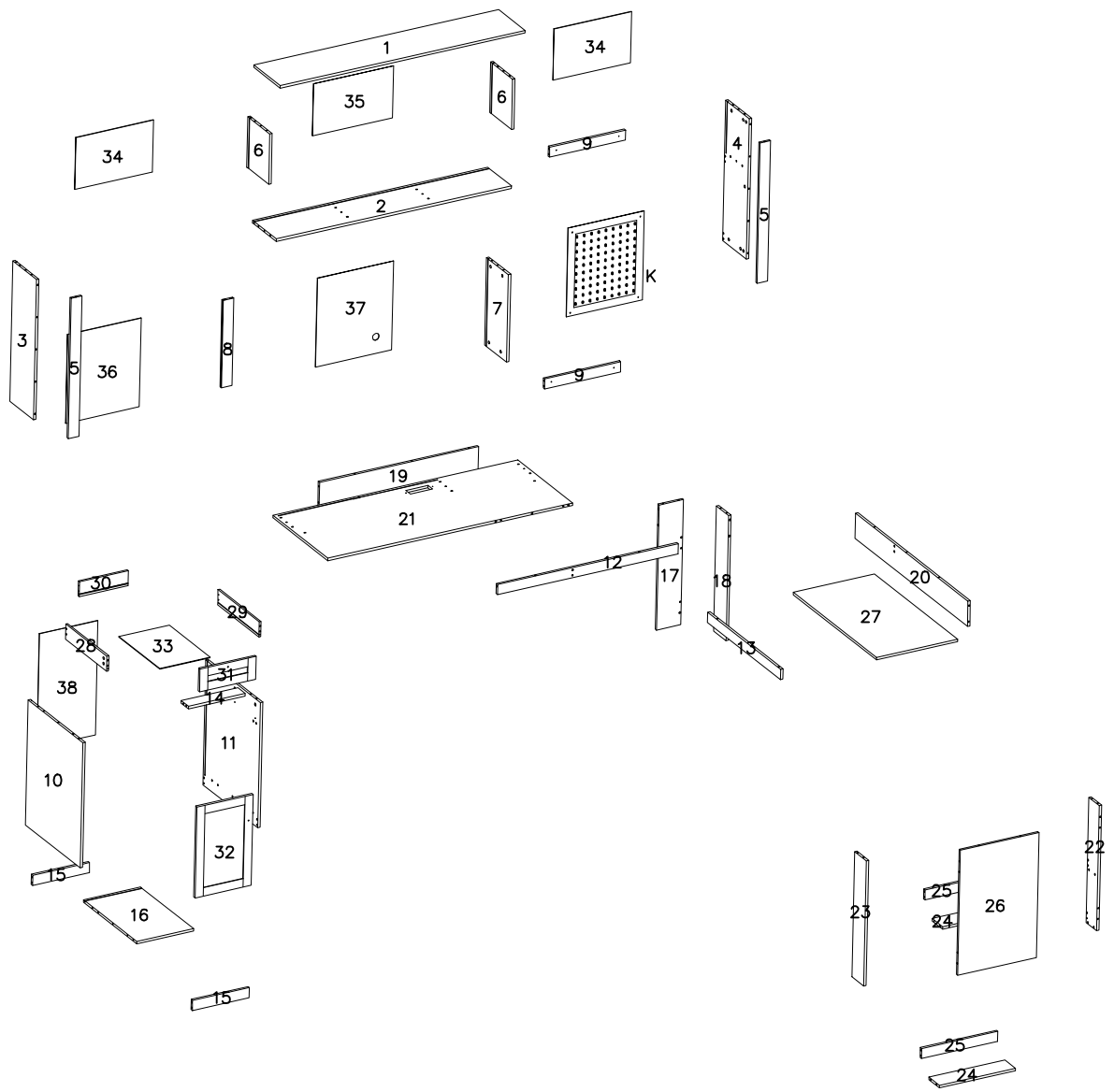
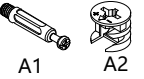
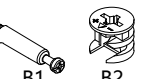
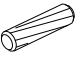




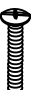
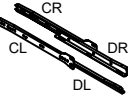
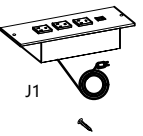


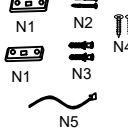


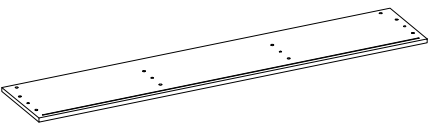
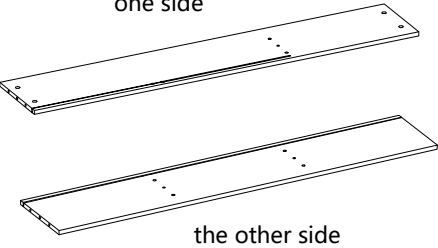
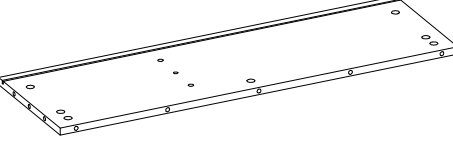
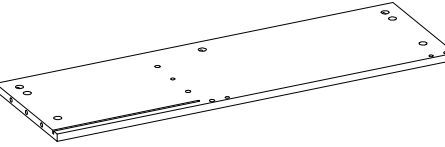
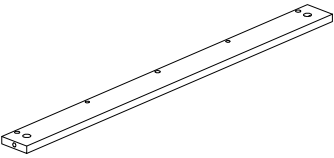
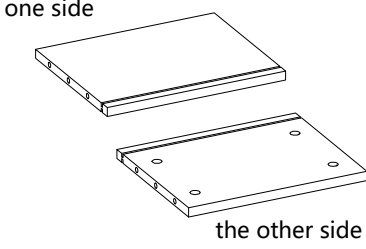
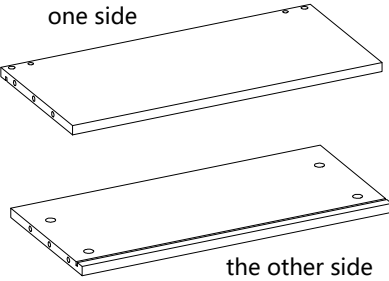
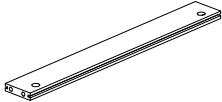
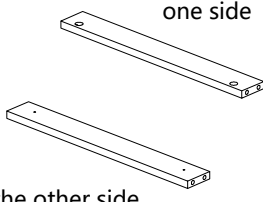
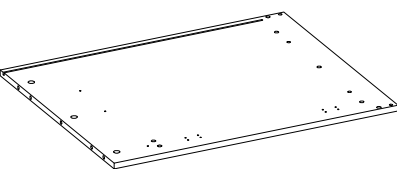
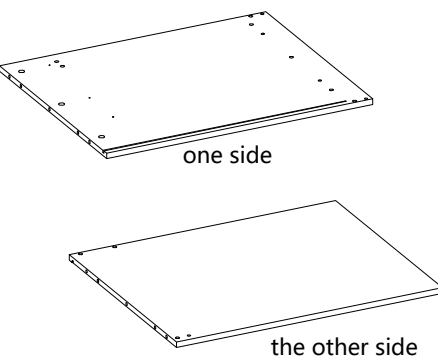
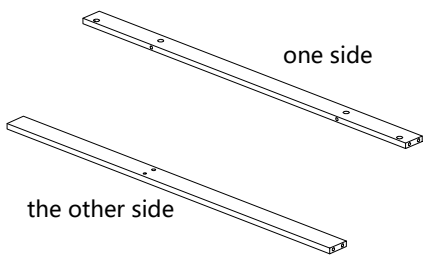


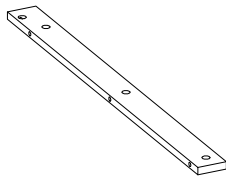
DS-DESK002W
DS-DESK002B



<p>A</p>  <p>A1 A2</p> <p>113PCS</p>	<p>B</p>  <p>B1 B2</p> <p>4PCS</p>	<p>C</p>  <p>∅8*30mm 49PCS</p>	<p>D</p>  <p>M3.5*14mm 48PCS</p>	<p>E</p>  <p>M3.5*14mm 4PCS</p>	<p>F</p>  <p>M3.5*30mm 4PCS</p>	<p>G</p>  <p>2PCS</p>	<p>H</p>  <p>2PCS</p>
<p>I</p>  <p>CL CR DR DL</p> <p>L=450mm 1PC</p>	<p>J</p>  <p>J1 J2*2</p> <p>1PC</p>	<p>L</p>  <p>2PCS</p>	<p>M</p>  <p>24PCS</p>	<p>N</p>  <p>N1 N2 N3 N4 N5</p> <p>2PCS</p>	<p>O</p>  <p>15PCS</p>	<p>P</p>  <p>117PCS</p>	

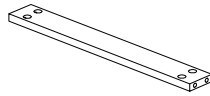
<p>1</p>  <p>1510*290*15mm 1PC</p>	<p>2</p>  <p>1450*260*15mm 1PC</p>	<p>3</p>  <p>835*260*15mm 1PC</p>
<p>4</p>  <p>835*260*15mm 1PC</p>	<p>5</p>  <p>835*65*15mm 2PCS</p>	<p>6</p>  <p>300*240*15mm 2PCS</p>
<p>7</p>  <p>520*240*15mm 1PC</p>	<p>8</p>  <p>520*65*15mm 1PC</p>	<p>9</p>  <p>468*60*15mm 2PCS</p>
<p>10</p>  <p>745*599*15mm 1PC</p>	<p>11</p>  <p>745*599*15mm 1PC</p>	<p>12</p>  <p>1113*60*15mm 1PC</p>

13



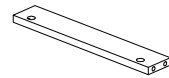
800*60*15mm 1PC

14



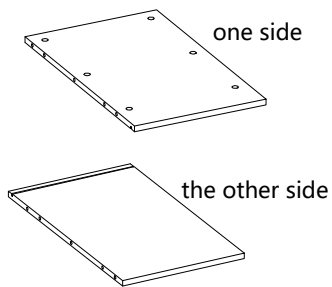
350*80*15mm 1PC

15



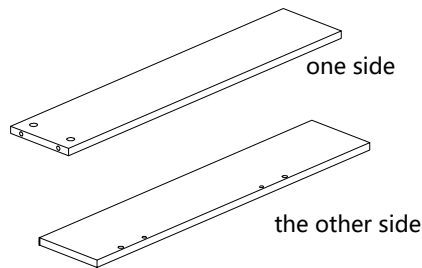
350*60*15mm 2PCS

16



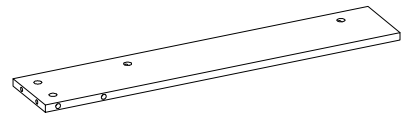
350*582.5*15mm 1PC

17



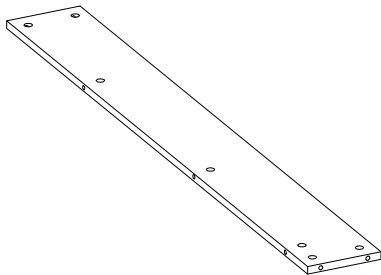
745*150*15mm 1PC

18



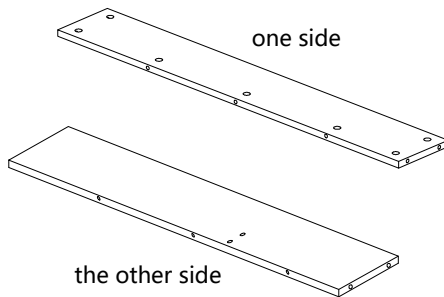
745*135*15mm 1PC

19



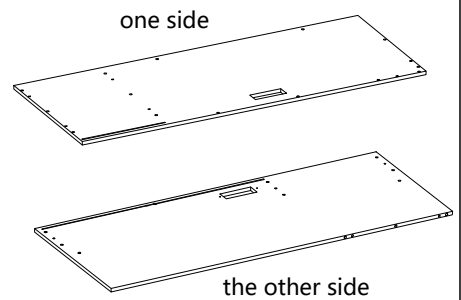
979.5*150*15mm 1PC

20



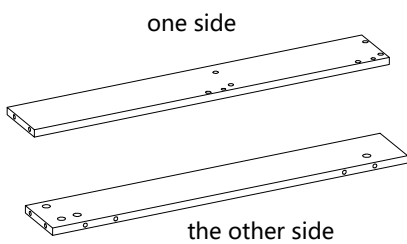
1229*150*15mm 1PC

21



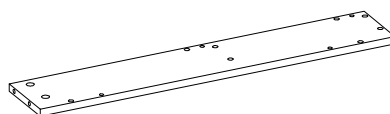
1510*600*15mm 1PC

22



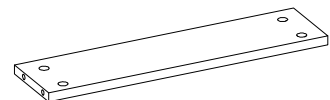
745*114.5*15mm 1PC

23

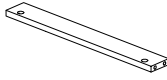
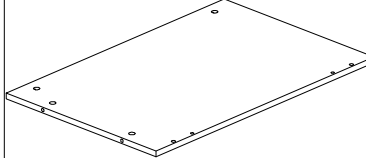
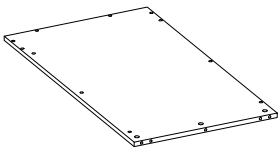
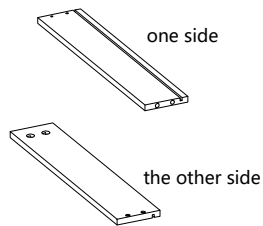
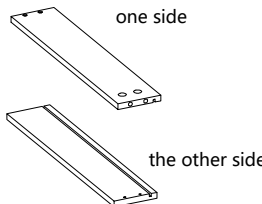
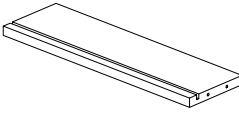
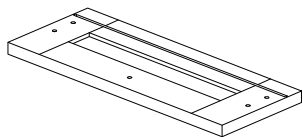
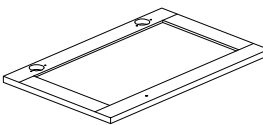
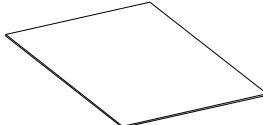
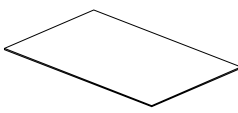
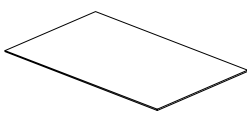
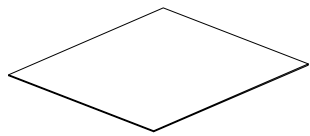
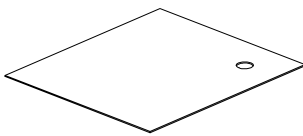
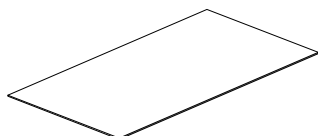
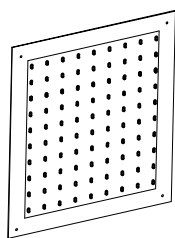


745*130*15mm 1PC

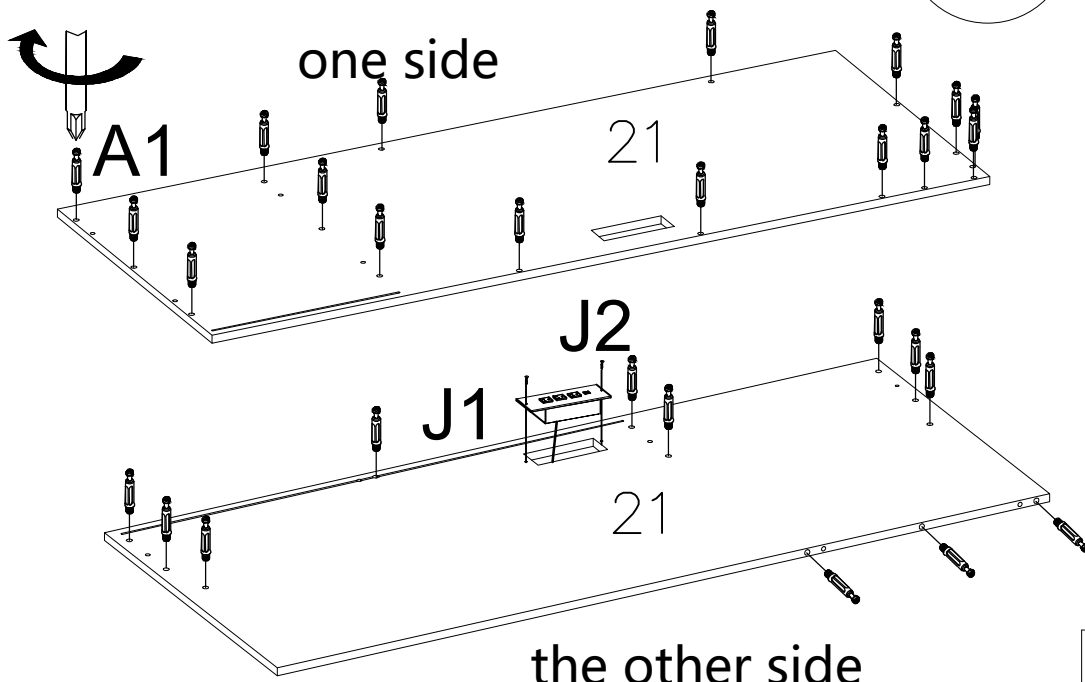
24






469*114.5*15mm 1PC

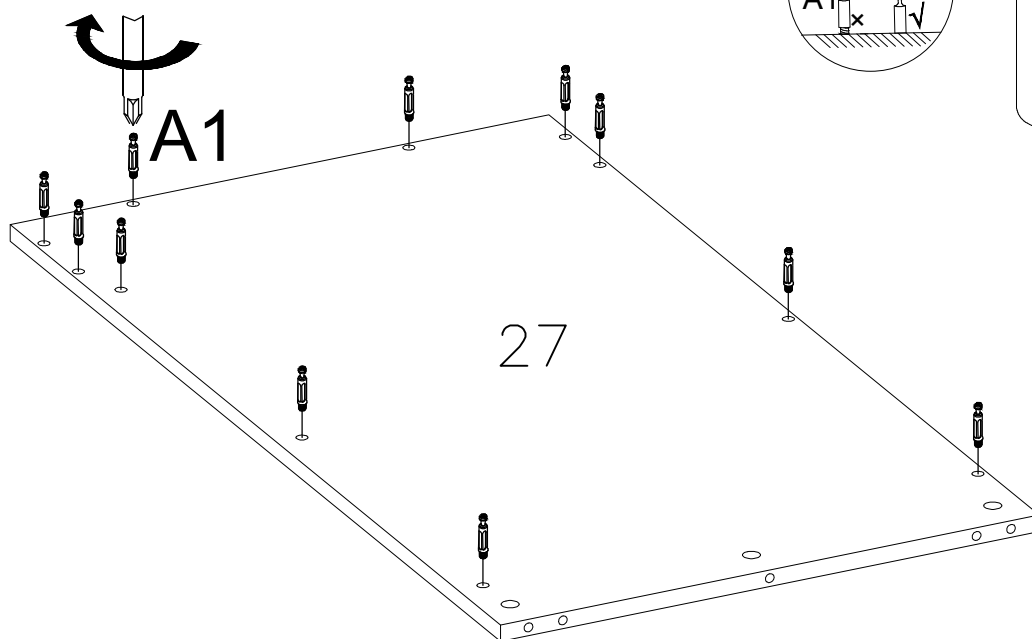
<p>25</p>  <p>469*60*15mm 2PCS</p>	<p>26</p>  <p>745*484.5*15mm 1PC</p>	<p>27</p>  <p>910*500*15mm 1PC</p>
<p>28</p>  <p>450*90*12mm 1PC</p>	<p>29</p>  <p>450*90*12mm 1PC</p>	<p>30</p>  <p>301*90*12mm 1PC</p>
<p>31</p>  <p>346*136*15mm 1PC</p>	<p>32</p>  <p>541*346*15mm 1PC</p>	<p>33</p>  <p>311*447*3mm 1PC</p>
<p>34</p>  <p>309*477*3mm 2PCS</p>	<p>35</p>  <p>309*492*3mm 1PC</p>	<p>36</p>  <p>528*453*3mm 1PC</p>
<p>37</p>  <p>528*469*3mm 1PC</p>	<p>38</p>  <p>679*360*3mm 1PC</p>	<p>K</p>  <p>516*464*3mm 1PC</p>


STEP 1



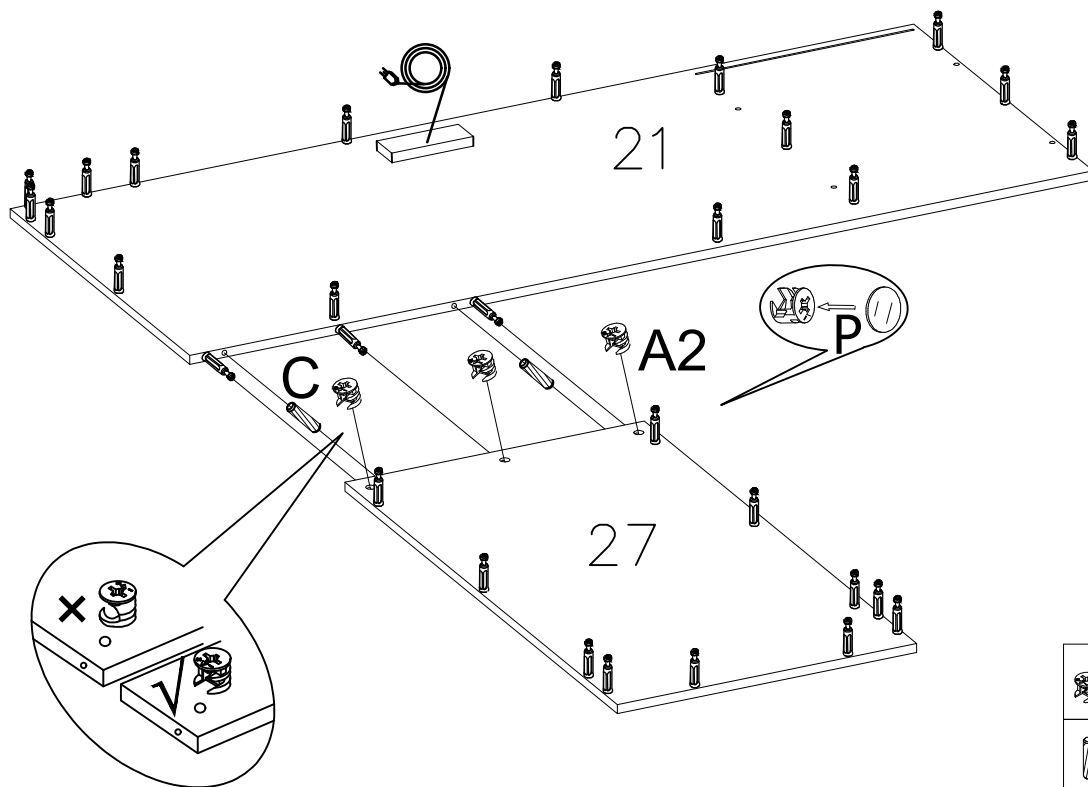
	A1 × 28PCS
	J1 × 1PC
	J2 × 2PCS




STEP 2



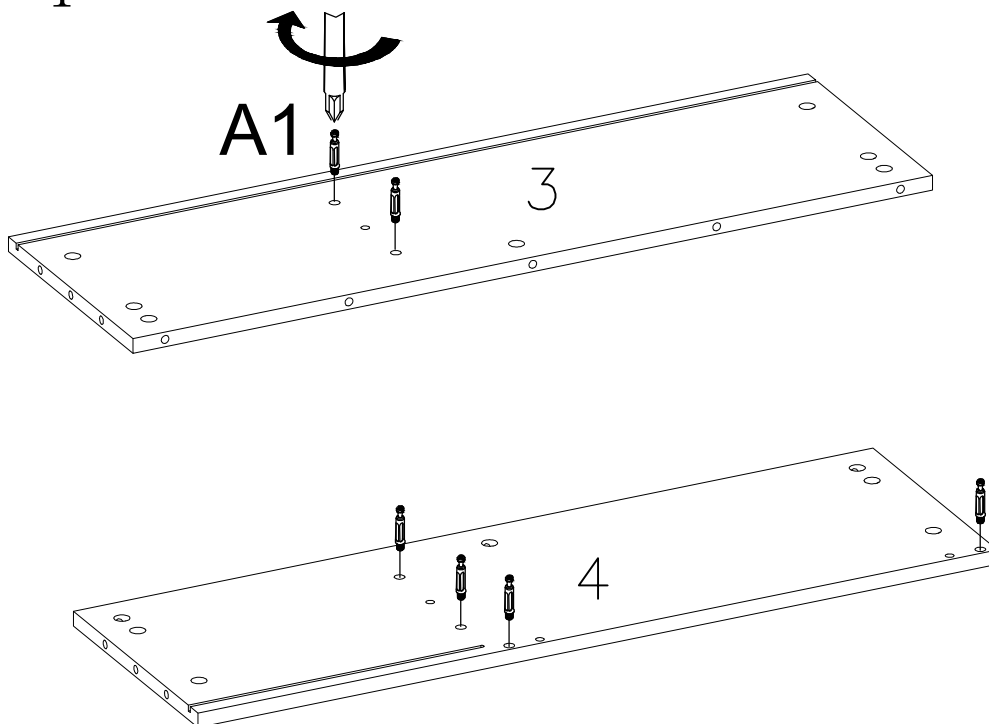
	A1 × 11PCS
---------------------------------------------------------------------------------------	------------


STEP 3



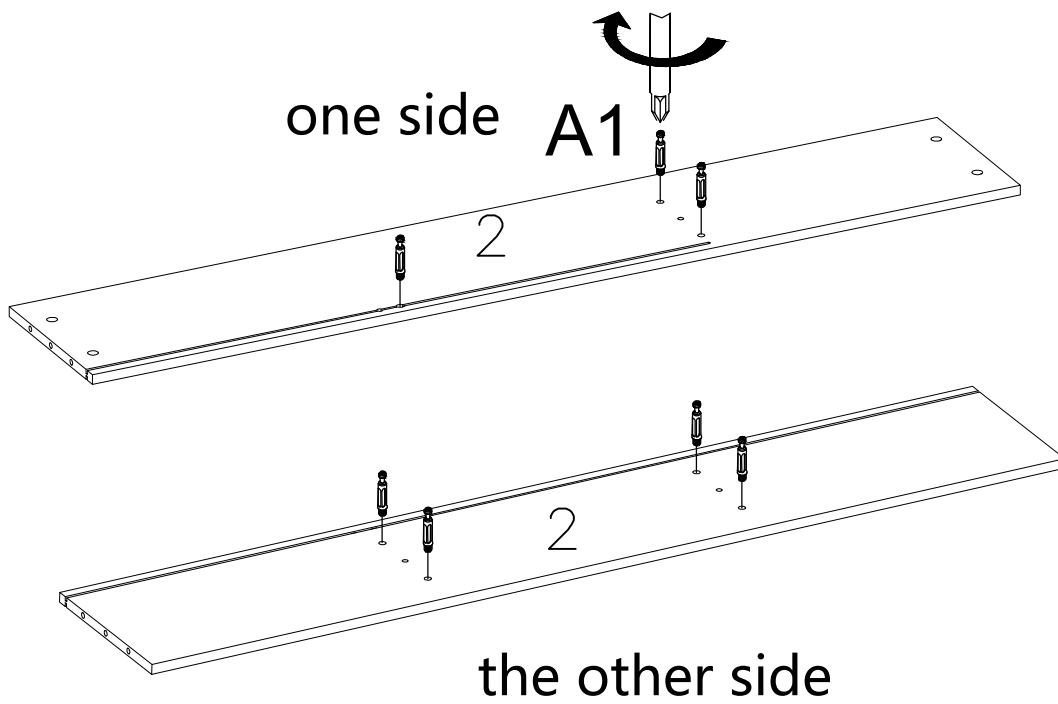
	A2 × 3PCS
	C × 2PCS
	P × 3PCS


STEP 4



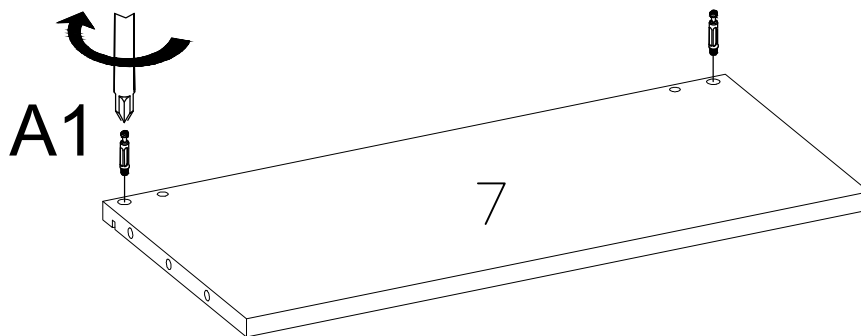
	A1 × 6PCS
---------------------------------------------------------------------------------------	-----------


STEP 5



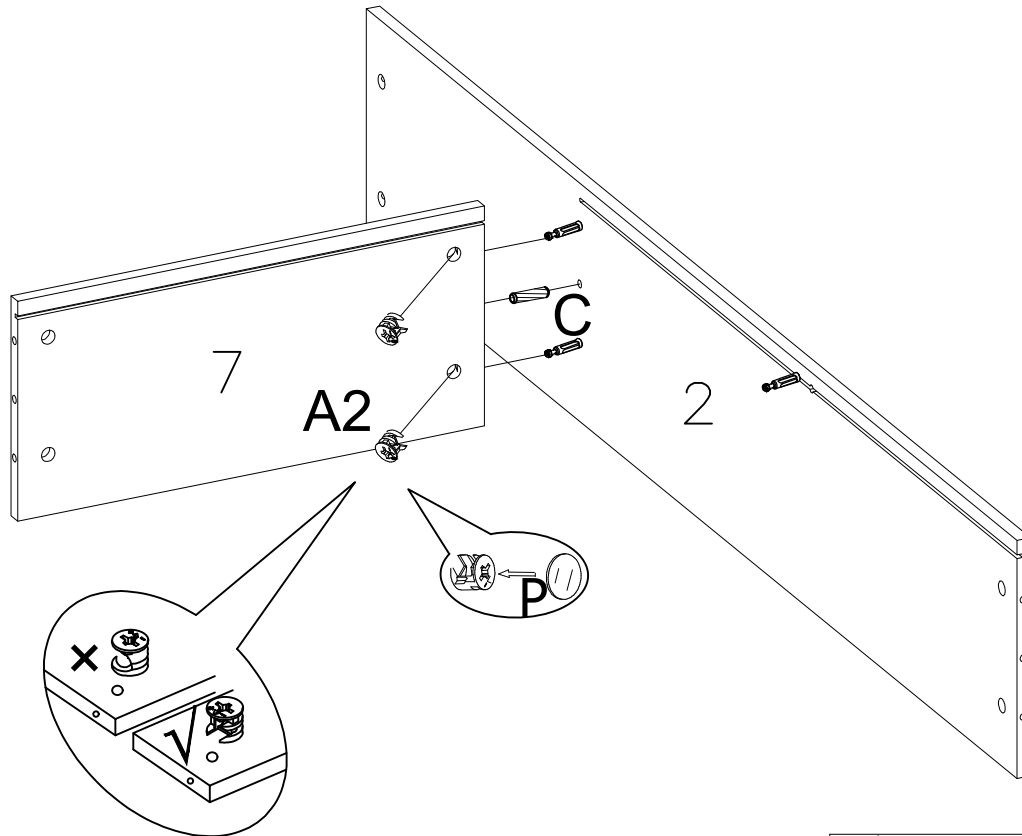
 A1 × 7PCS




STEP 6



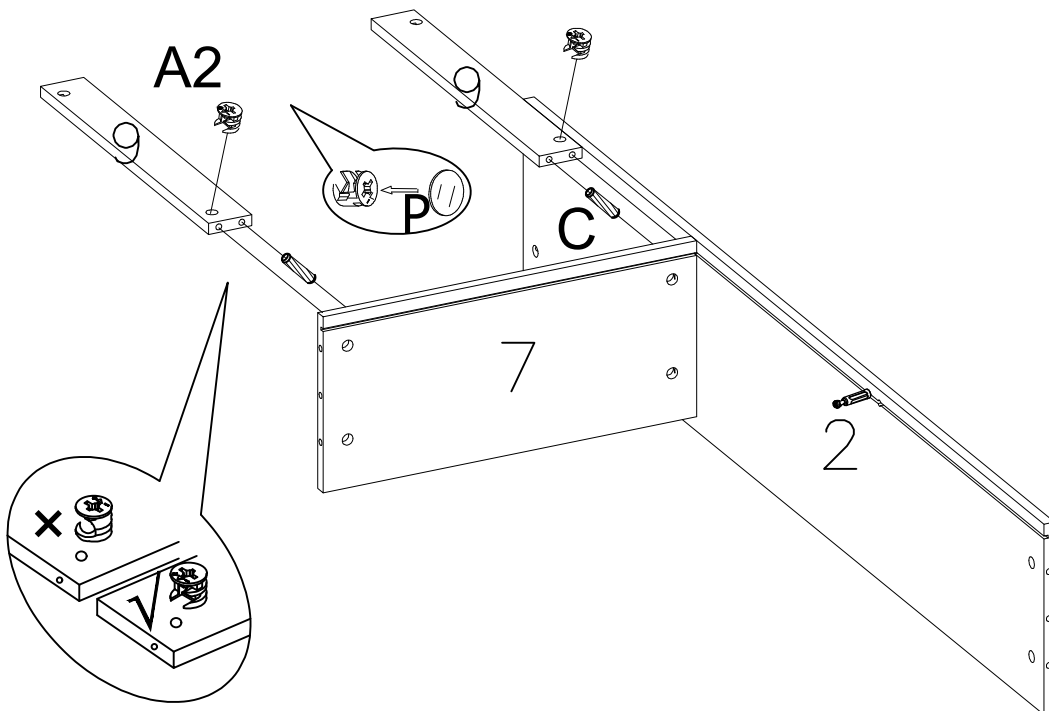
 A1 × 2PCS




STEP 7



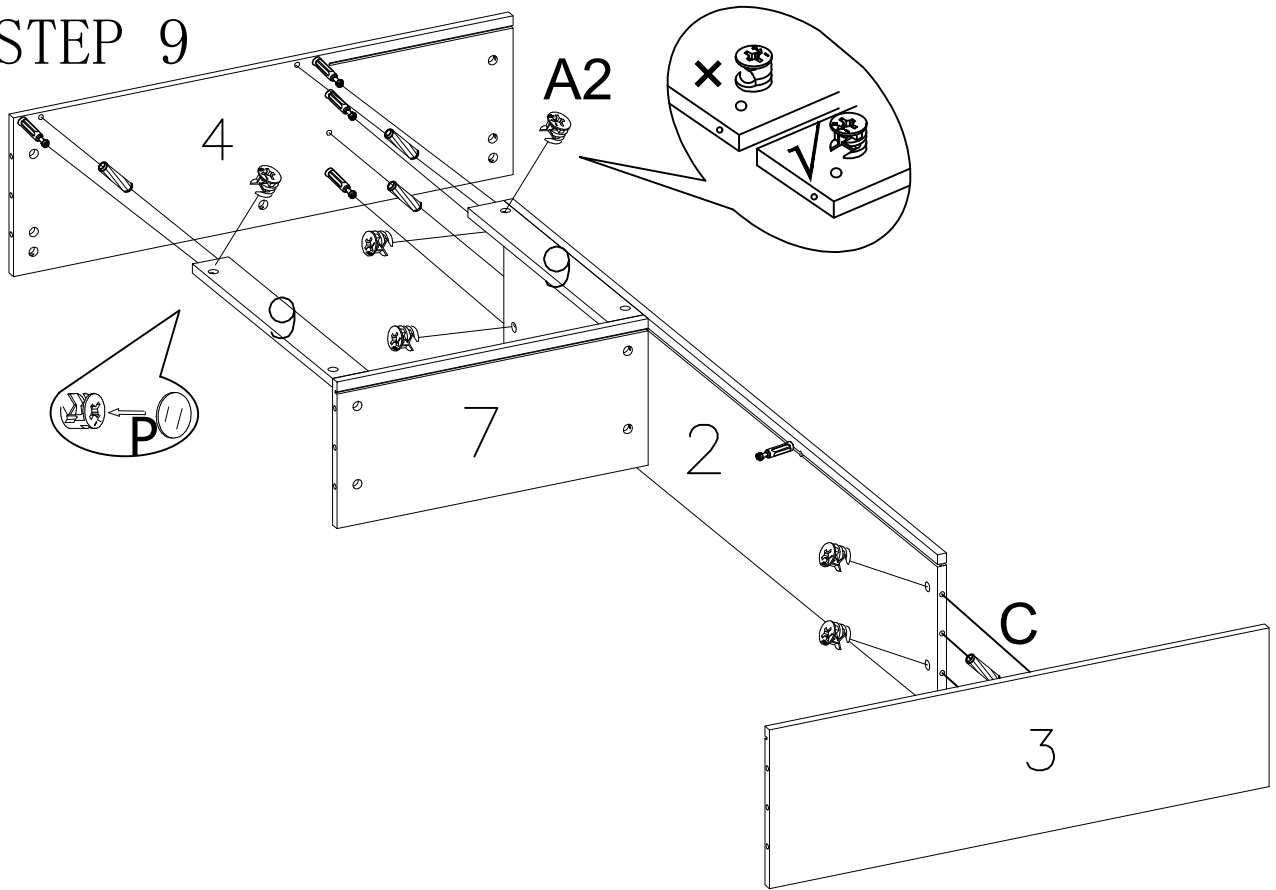
			A2 × 2PCS
	C × 1PC		P × 2PCS

STEP 8



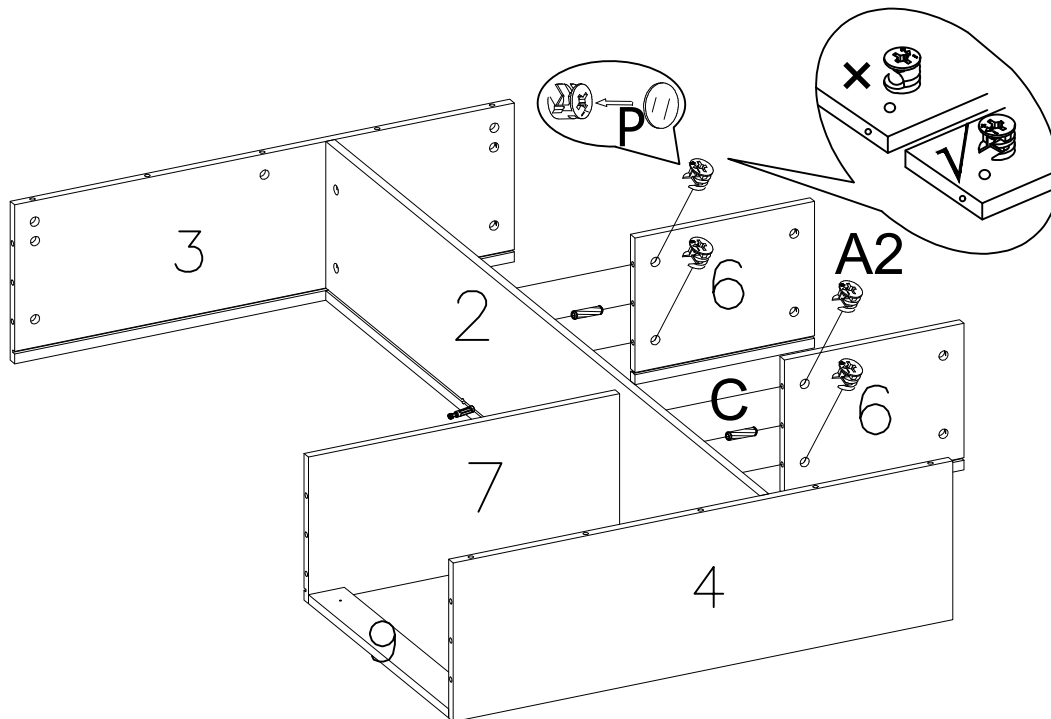
			A2 × 2PCS
	C × 2PCS		P × 2PCS




STEP 9



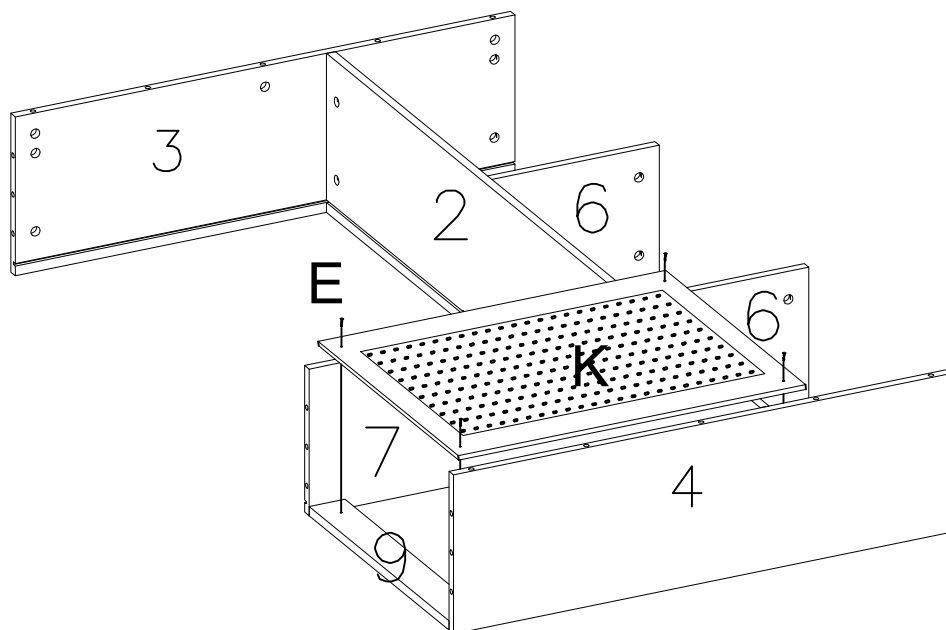
	A2 × 6PCS		C × 4PCS		P × 6PCS
-------------------------------------------------------------------------------------	-----------	---------------------------------------------------------------------------------------	----------	---------------------------------------------------------------------------------------	----------


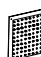
STEP 10



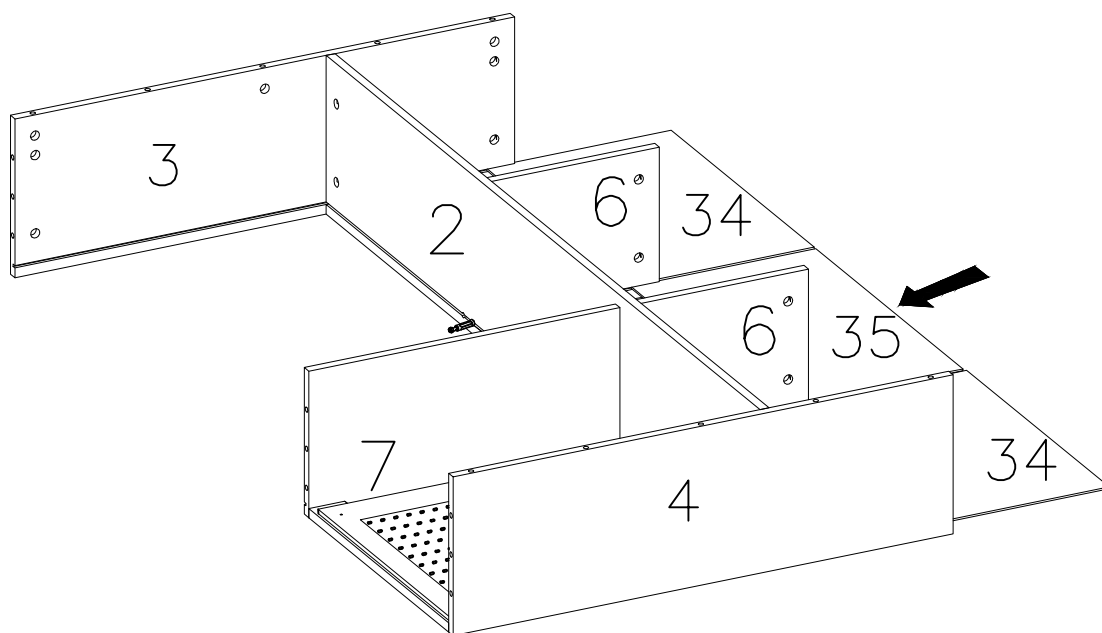
	A2 × 4PCS		C × 2PCS		P × 4PCS
-------------------------------------------------------------------------------------	-----------	---------------------------------------------------------------------------------------	----------	---------------------------------------------------------------------------------------	----------

STEP 11



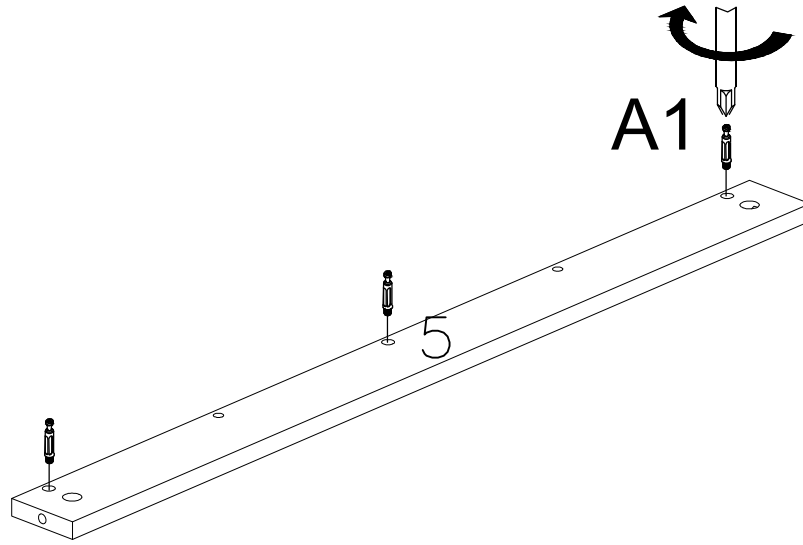
	E × 4PCS
	K × 1PC


STEP 12



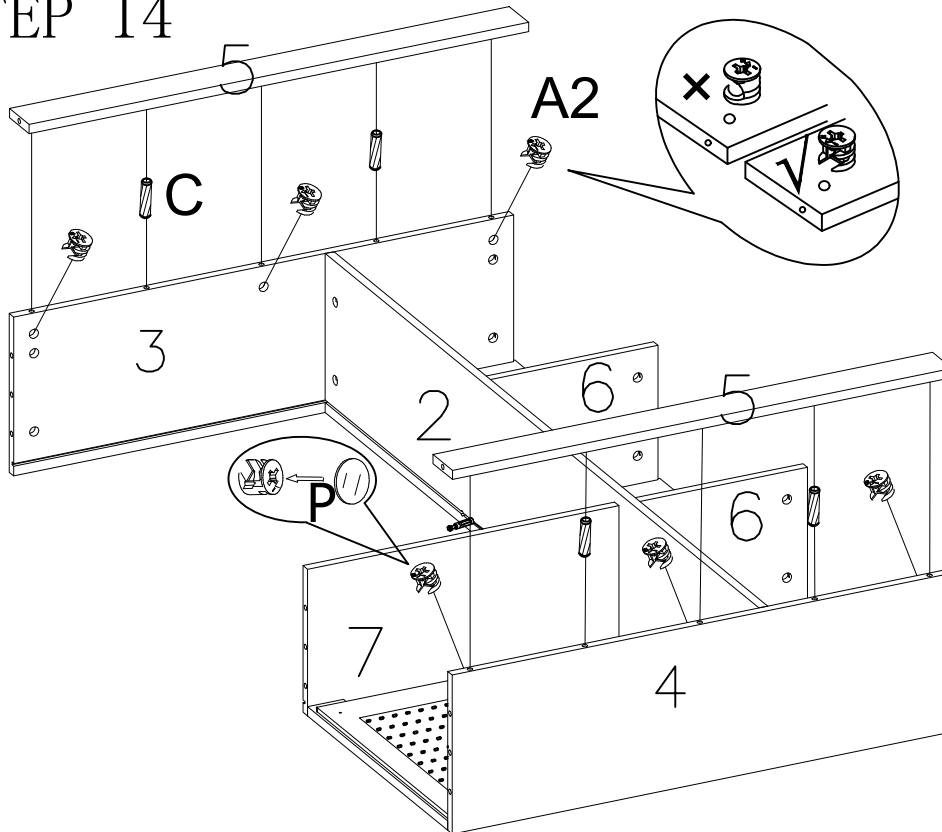
STEP 13




x2



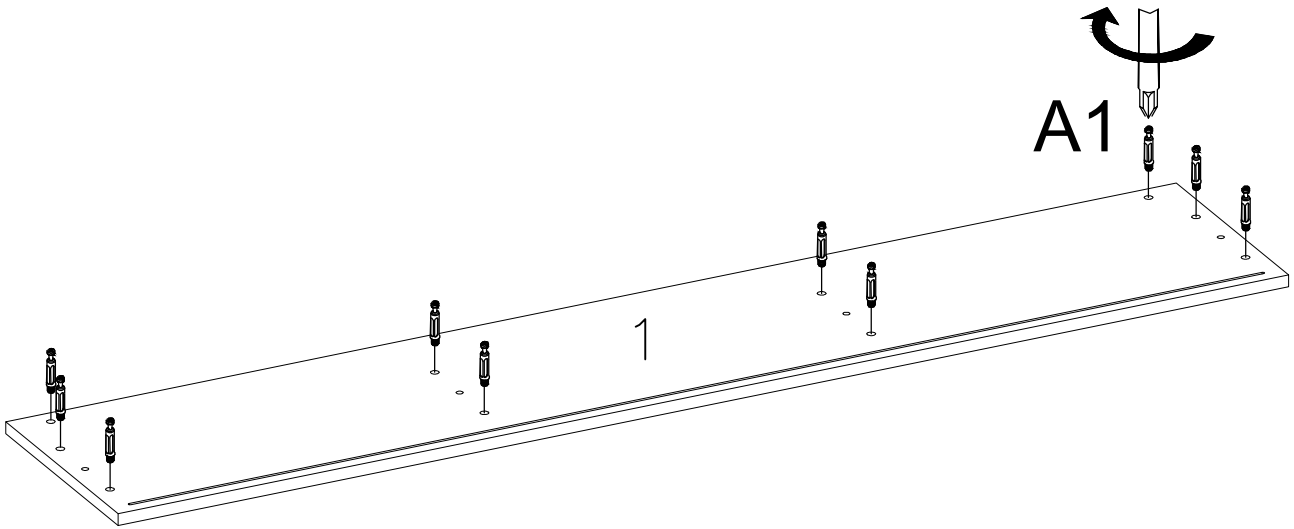
 A1 x 6PCS


STEP 14



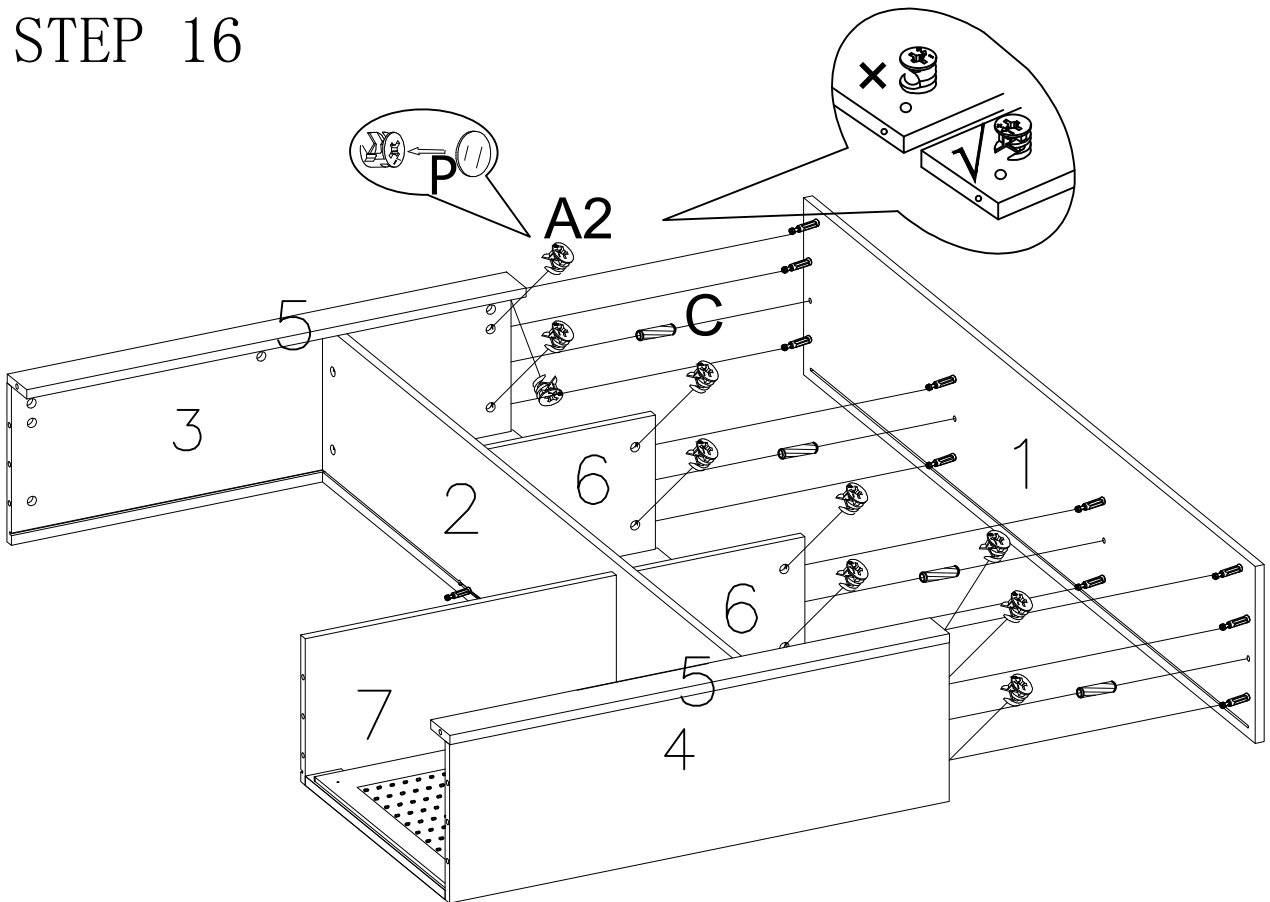
	A2 x 6PCS		C x 4PCS		P x 6PCS
-------------------------------------------------------------------------------------	-----------	---------------------------------------------------------------------------------------	----------	---------------------------------------------------------------------------------------	----------

STEP 15



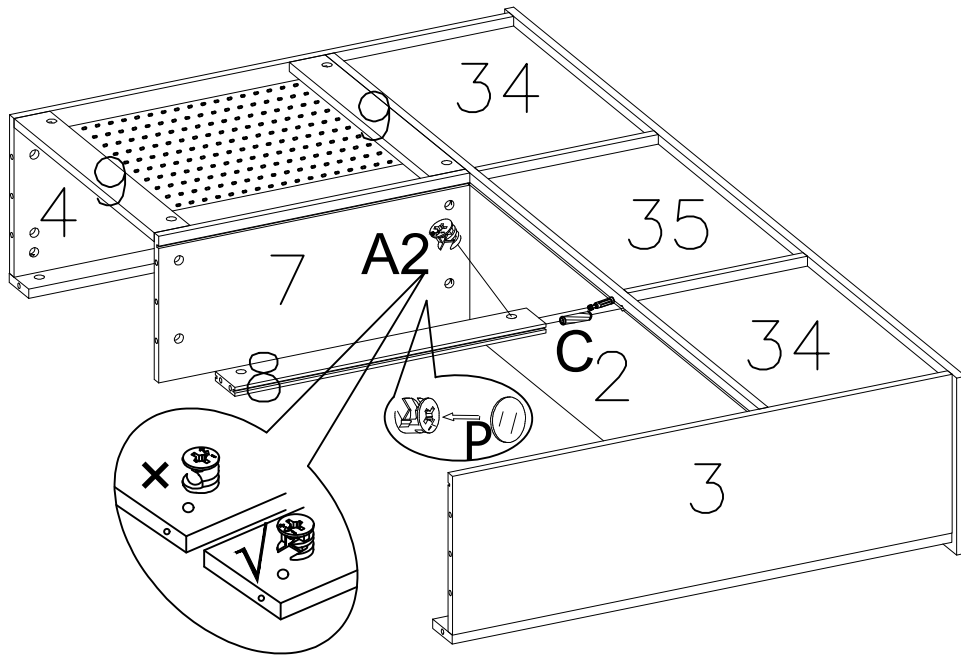
 A1 × 10PCS

STEP 16



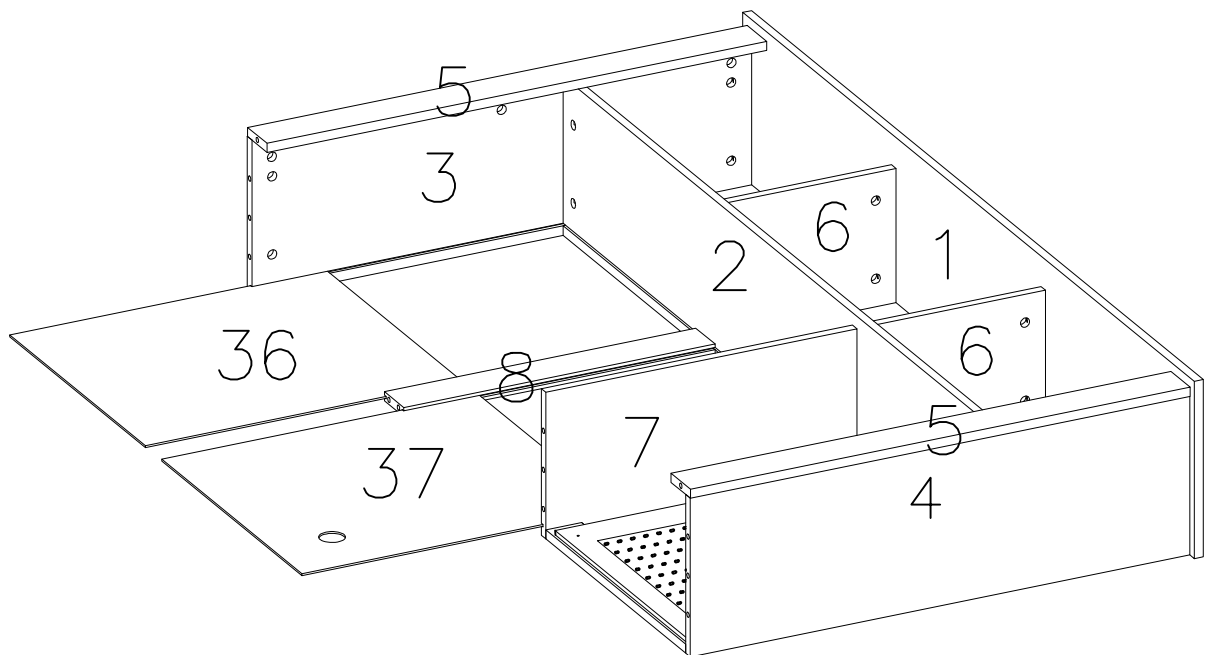
 A2 × 10PCS  C × 4PCS  P × 10PCS

STEP 17

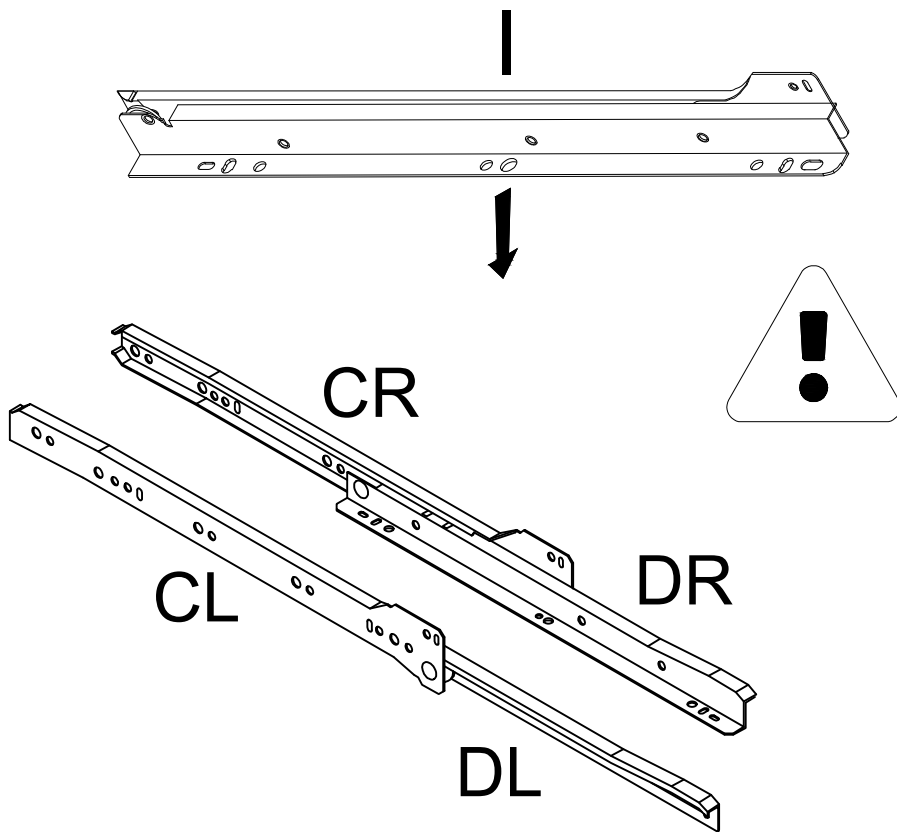


	A2×1 PC		C×1PC		P×1PC
-------------------------------------------------------------------------------------	---------	---------------------------------------------------------------------------------------	-------	---------------------------------------------------------------------------------------	-------

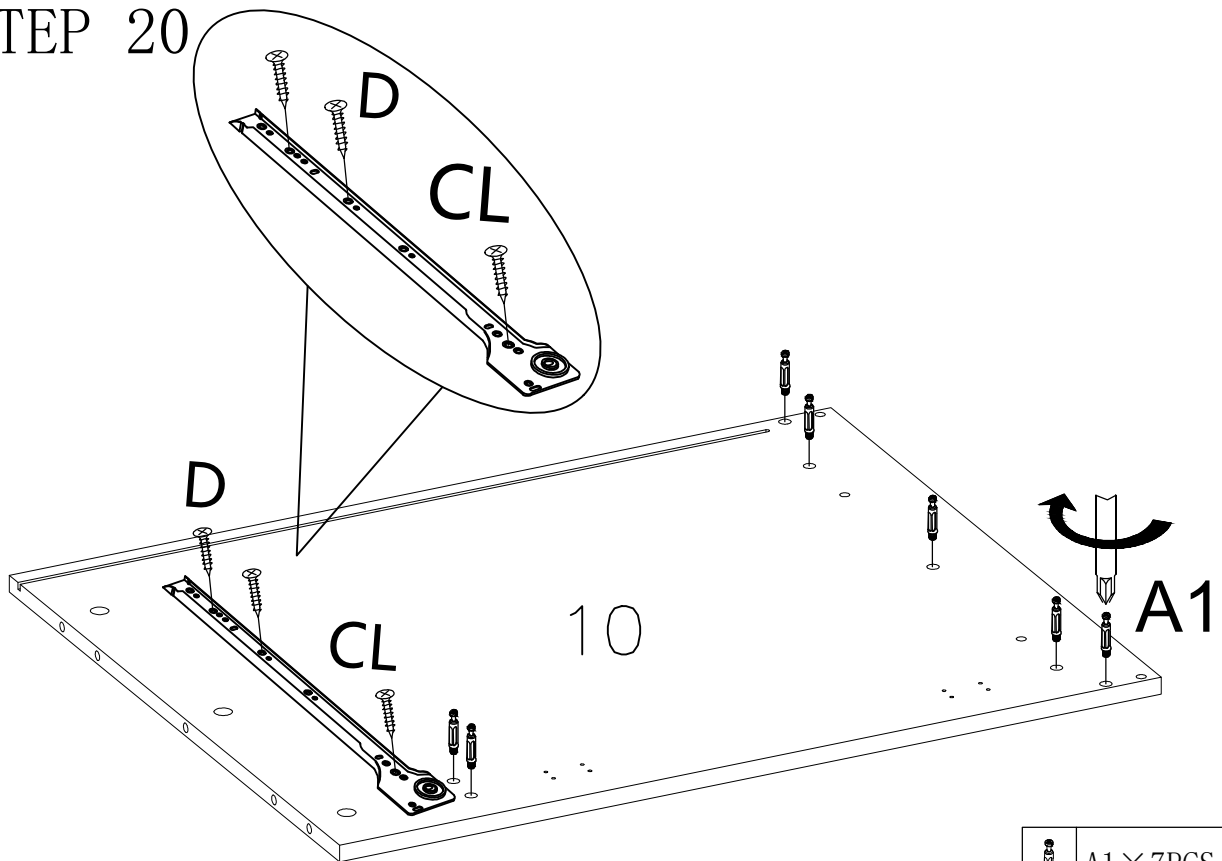
STEP 18






STEP 19

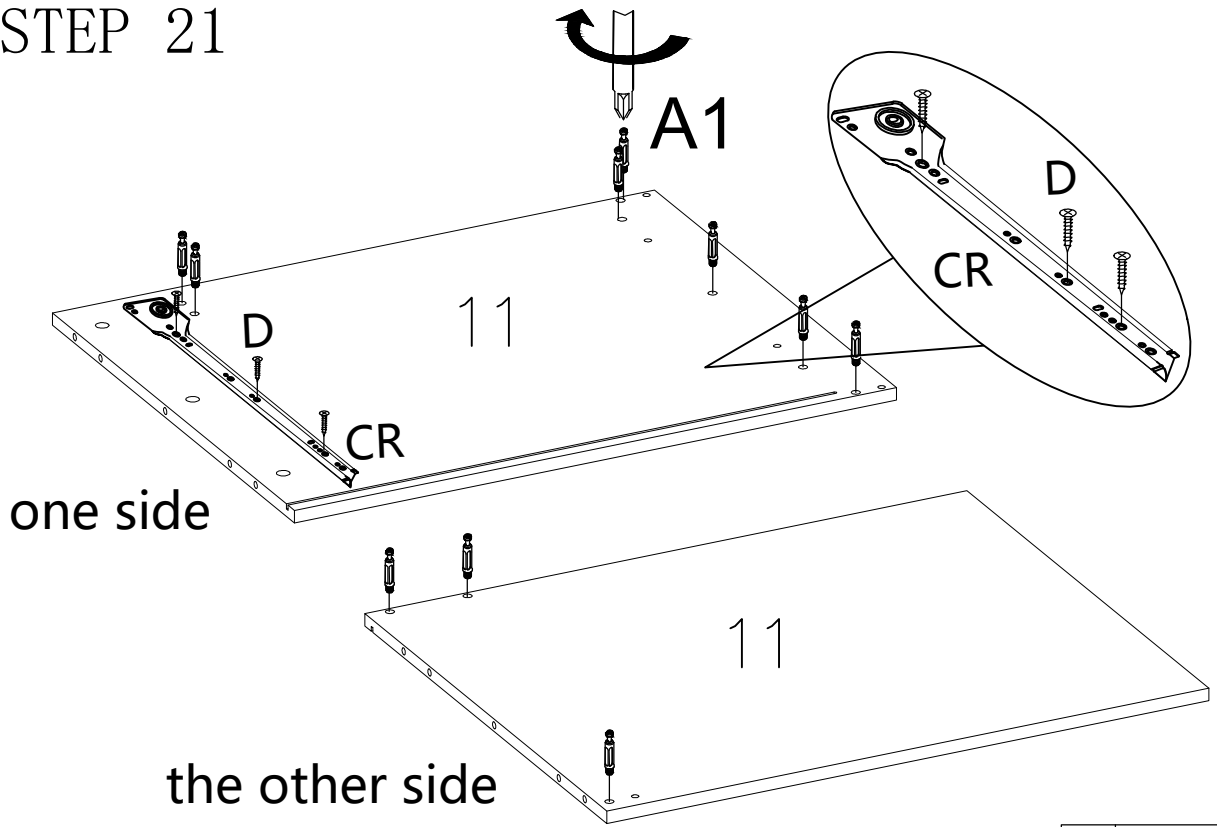


STEP 20



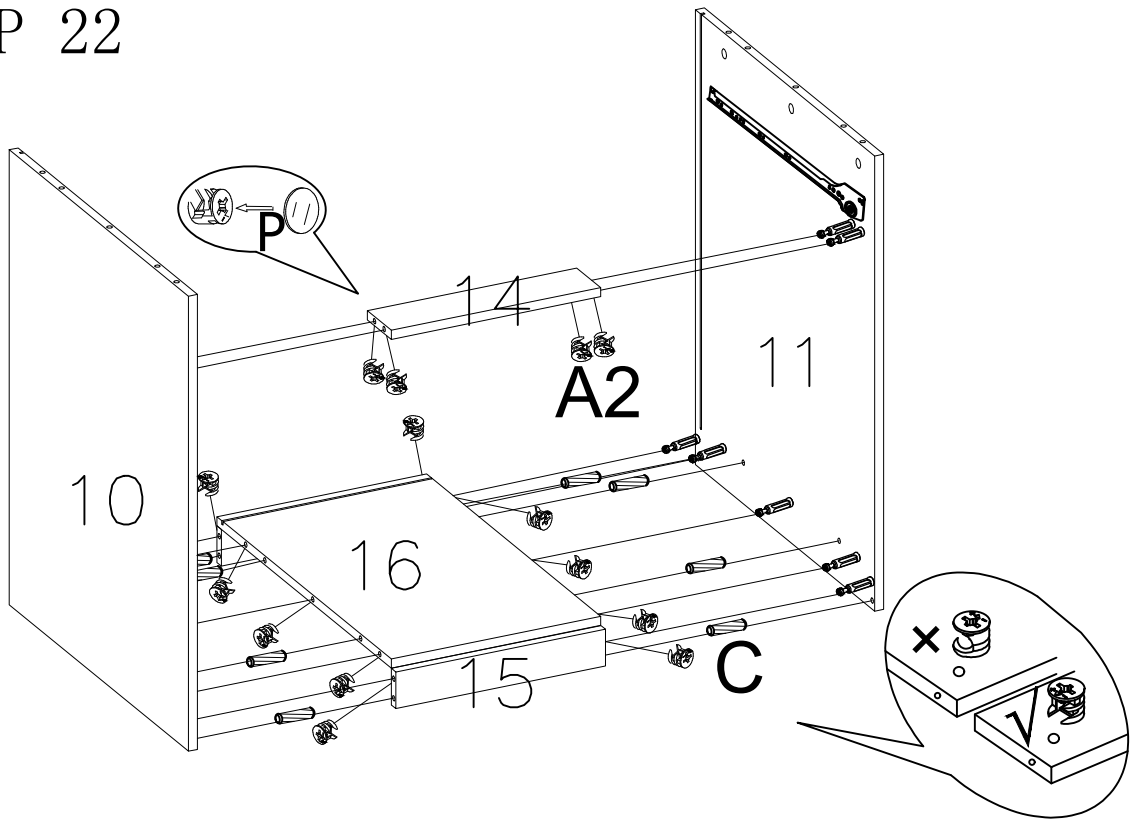
	D × 3PCS		A1 × 7PCS
	CL × 1PC		

STEP 21



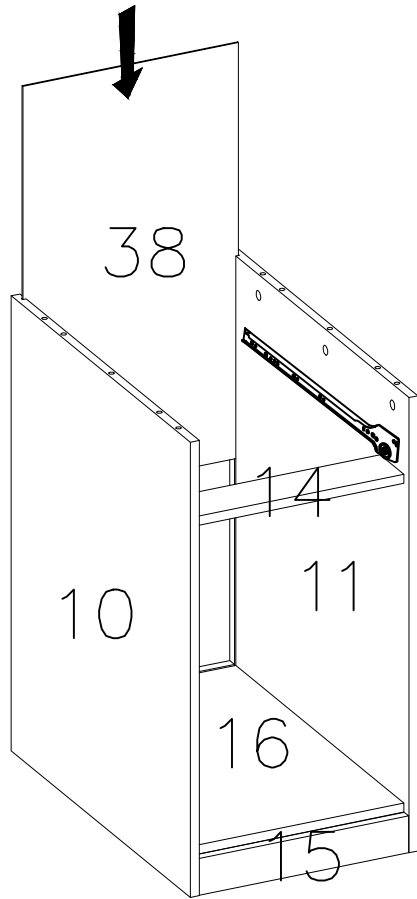
	A1 × 10PCS
	D × 3PCS
	CR × 1PC

STEP 22

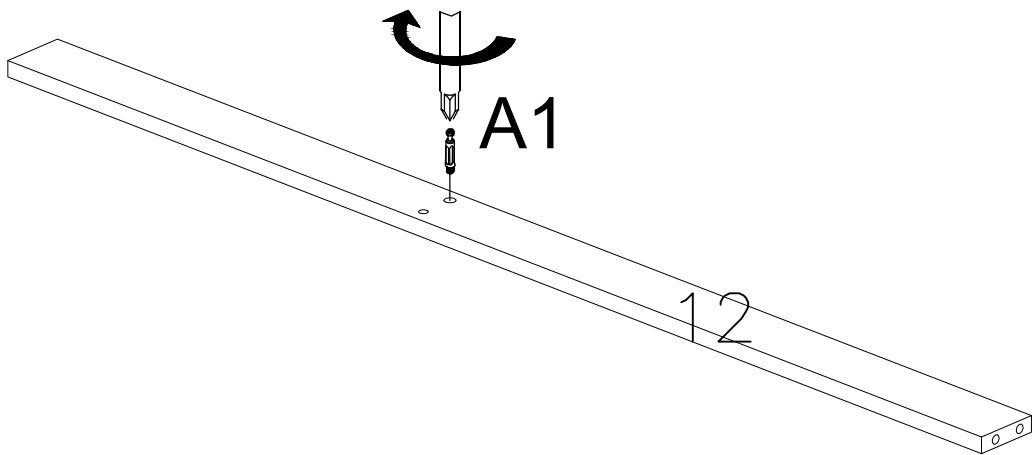


	A2 × 14PCS		C × 8PCS		P × 14PCS
--	------------	--	----------	--	-----------

STEP 23

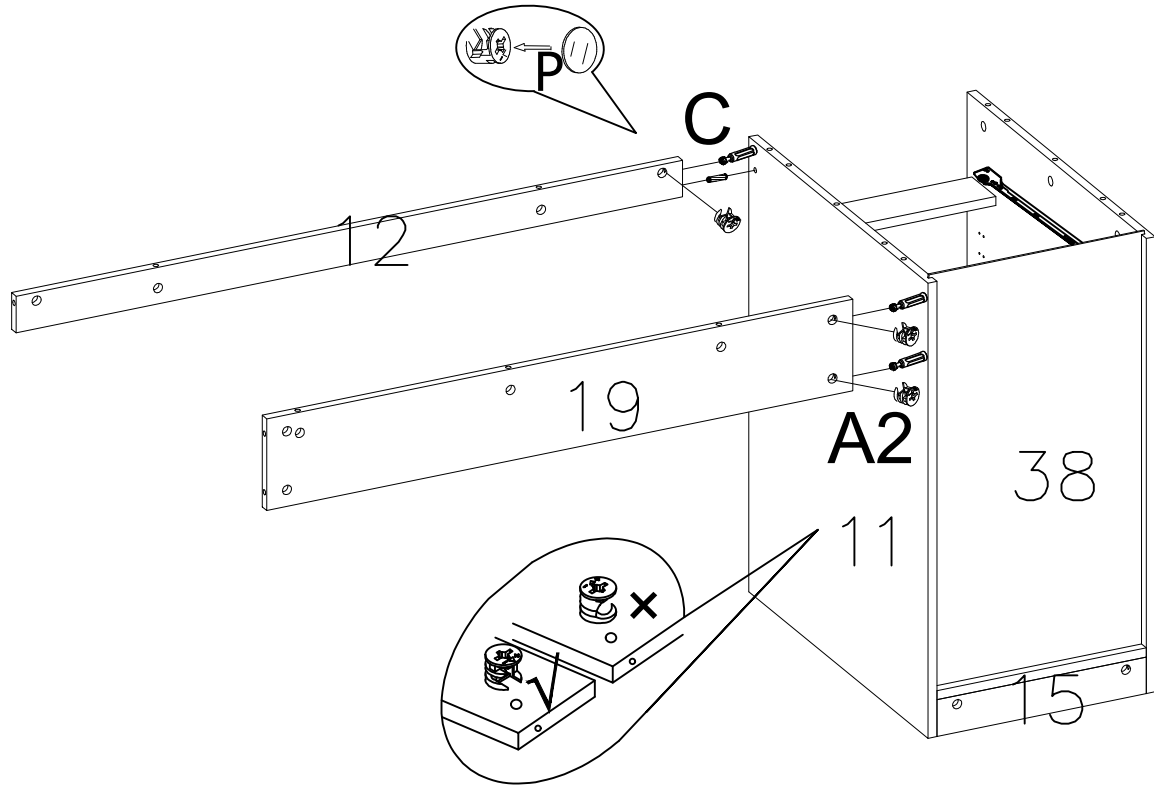


STEP 24



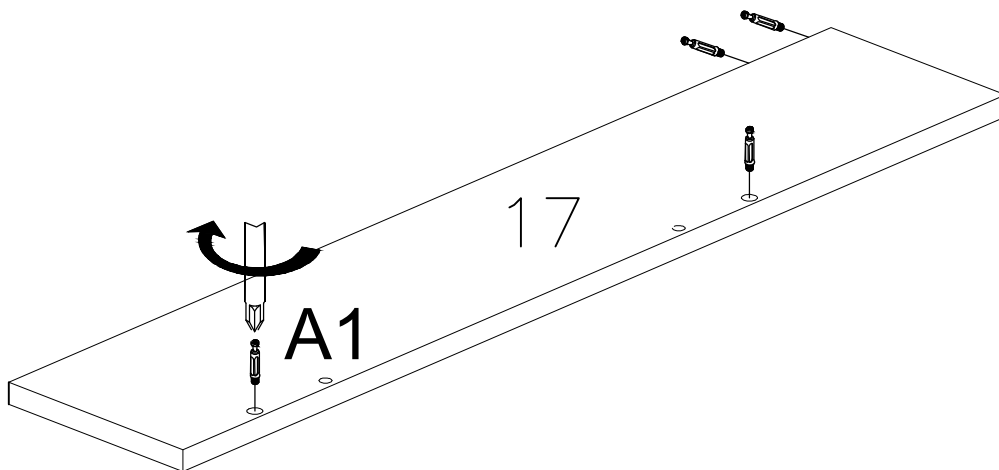
 A1 × 1PC


STEP 25



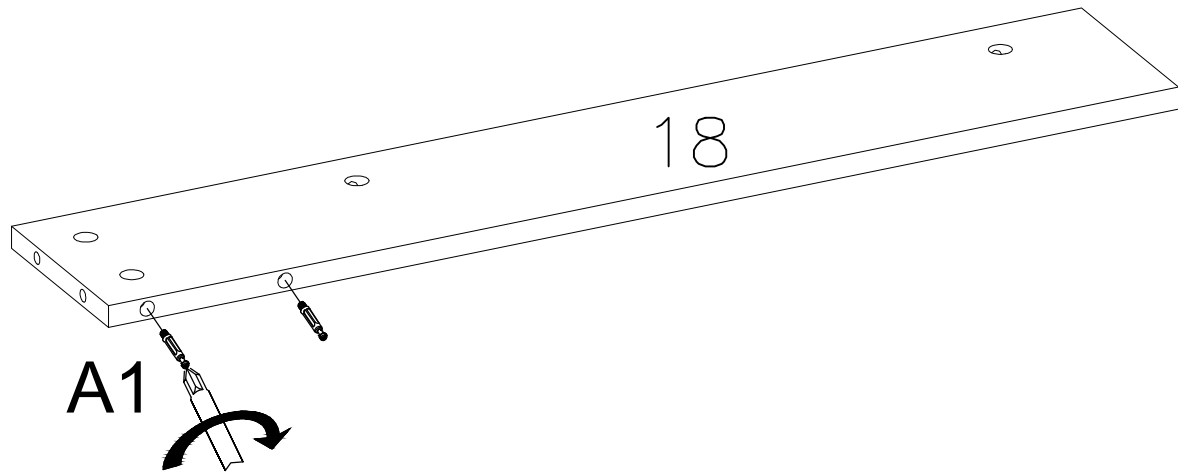
	A2 × 3PCS		C × 1PC		P × 3PCS
-------------------------------------------------------------------------------------	-----------	---------------------------------------------------------------------------------------	---------	---------------------------------------------------------------------------------------	----------


STEP 26



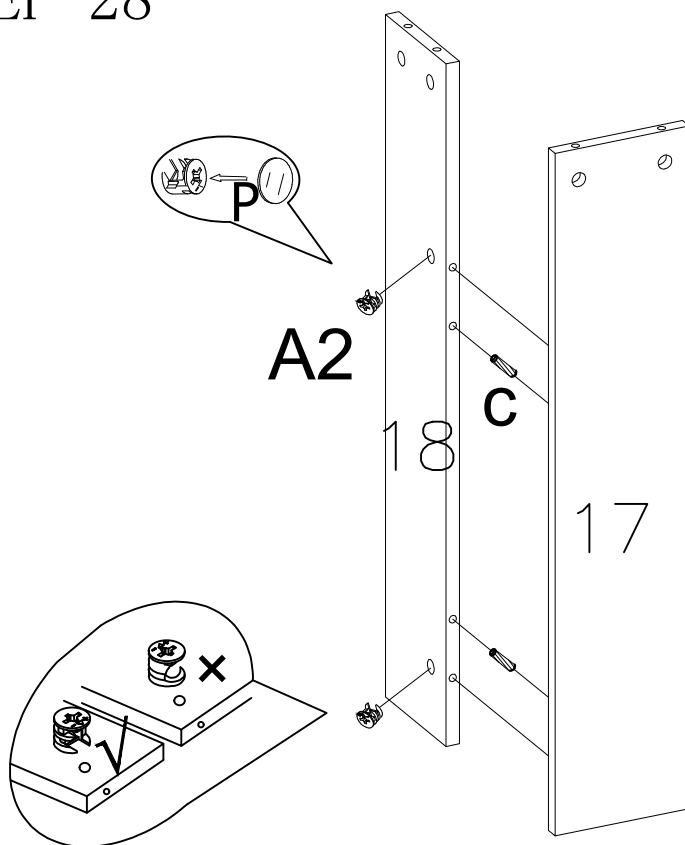
	A1 × 4PCS
---------------------------------------------------------------------------------------	-----------




STEP 27



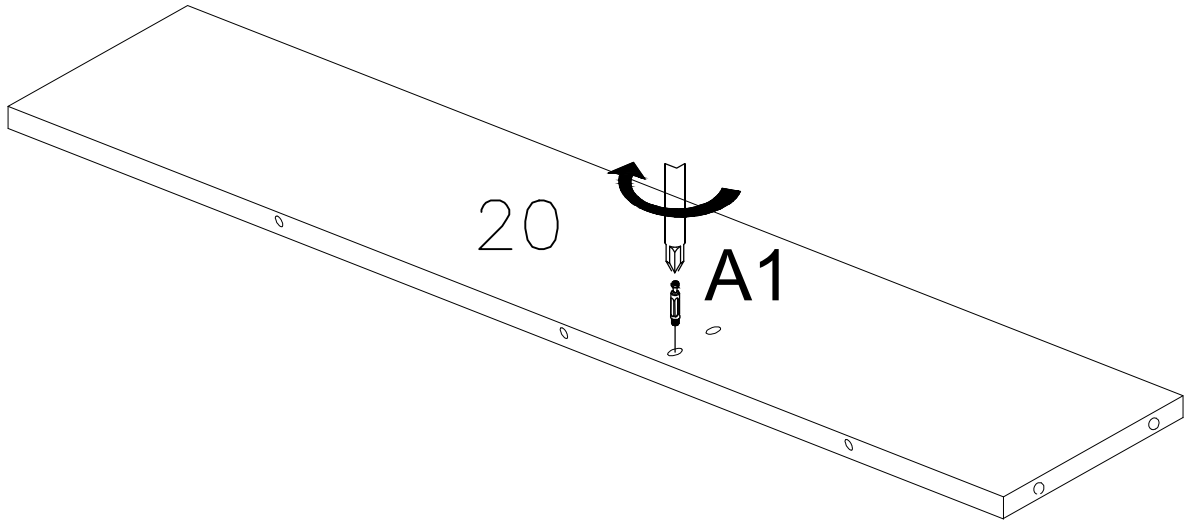
 A1 × 2PCS


STEP 28



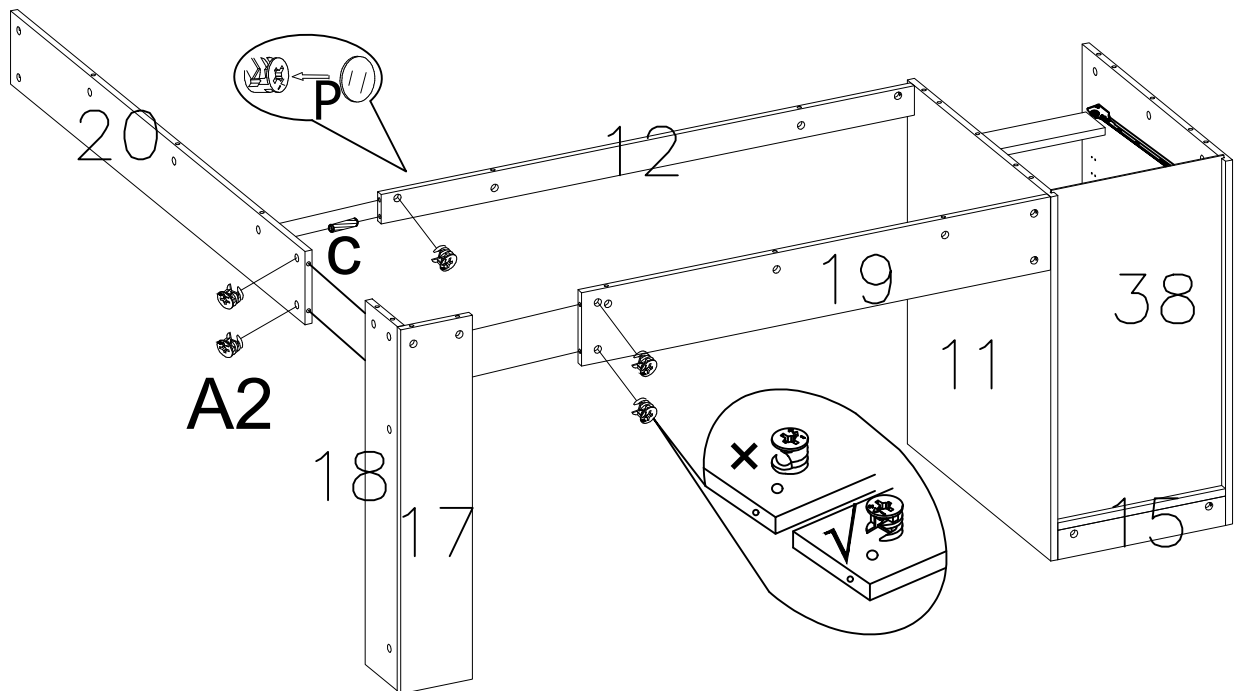
 A2 × 2PCS  C × 2PCS  P × 2PCS

STEP 29



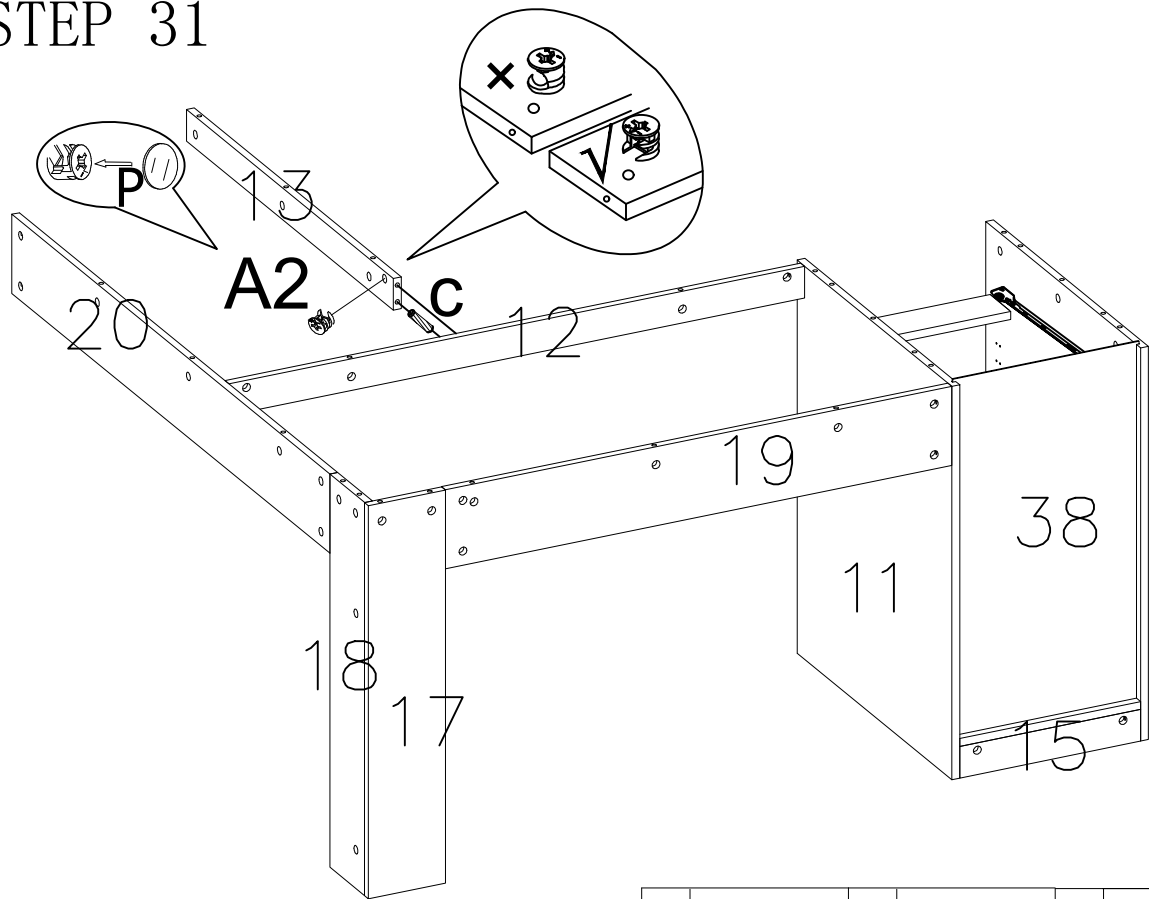
 A1 × 1PC

STEP 30



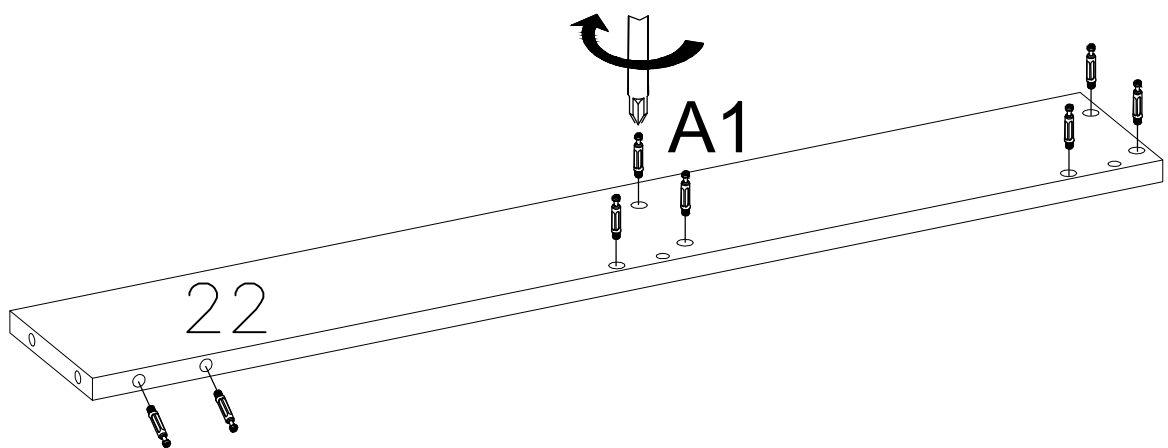
 A2 × 5PCS	 C × 1PC	 P × 5PCS
-----------------------------------------------------------------------------------------------	-----------------------------------------------------------------------------------------------	------------------------------------------------------------------------------------------------


STEP 31



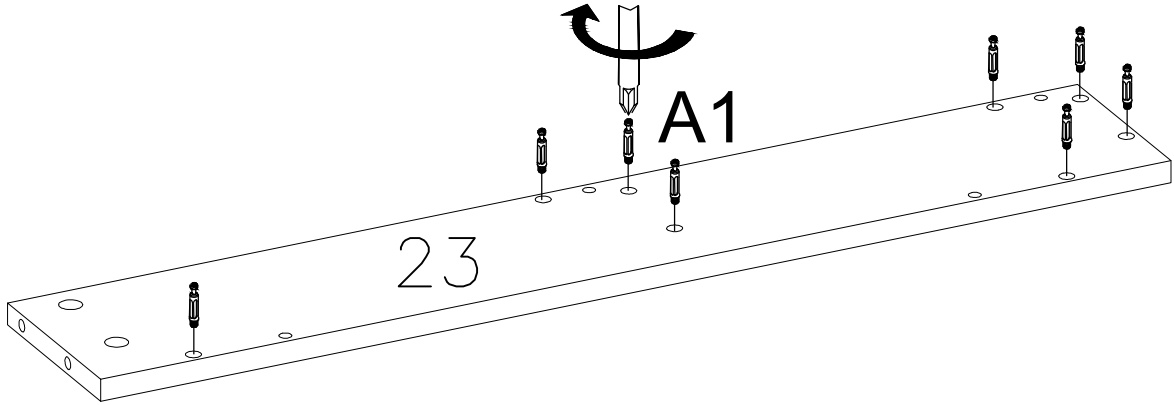
	A2×1PC		C×1PC		P×1PC
-------------------------------------------------------------------------------------	--------	---------------------------------------------------------------------------------------	-------	---------------------------------------------------------------------------------------	-------


STEP 32



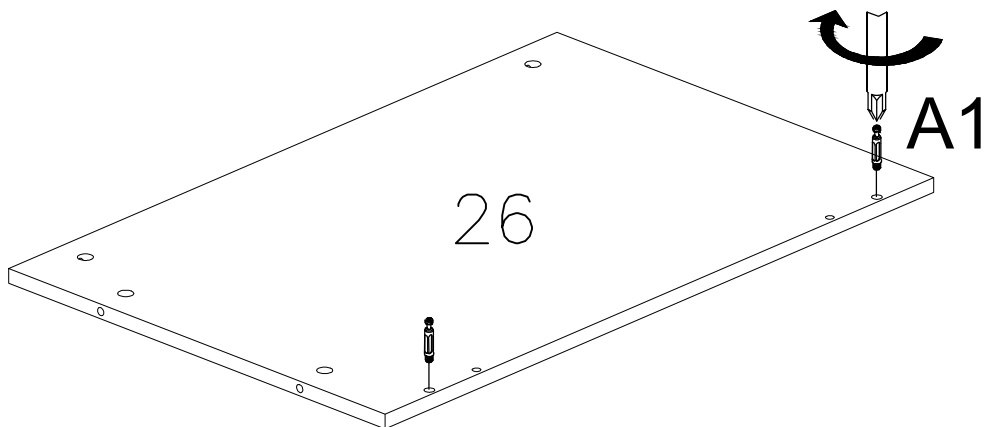
	A1×8PCS
---------------------------------------------------------------------------------------	---------


STEP 33



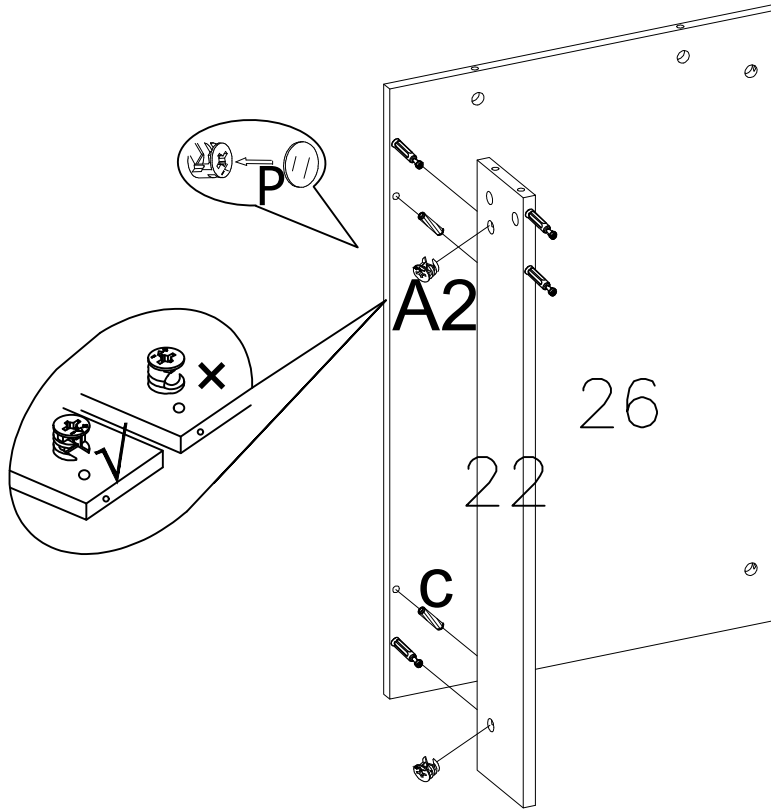
 A1 × 8PCS

STEP 34



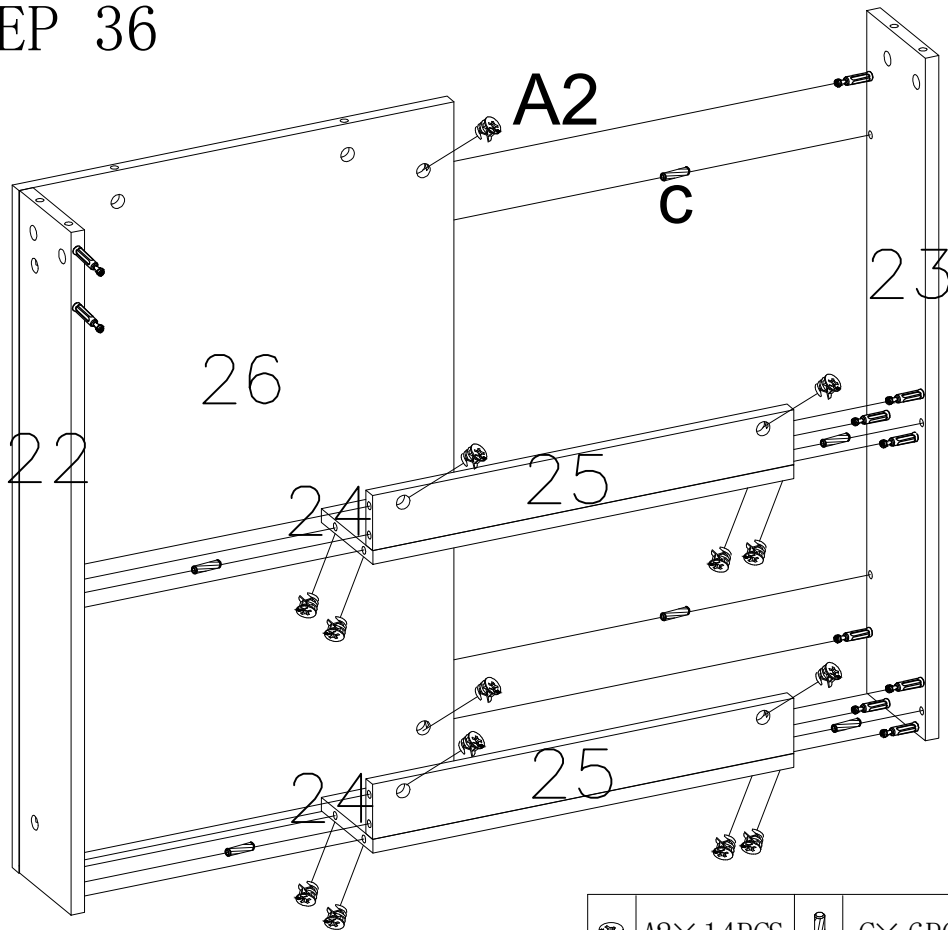
 A1 × 2PCS

STEP 35



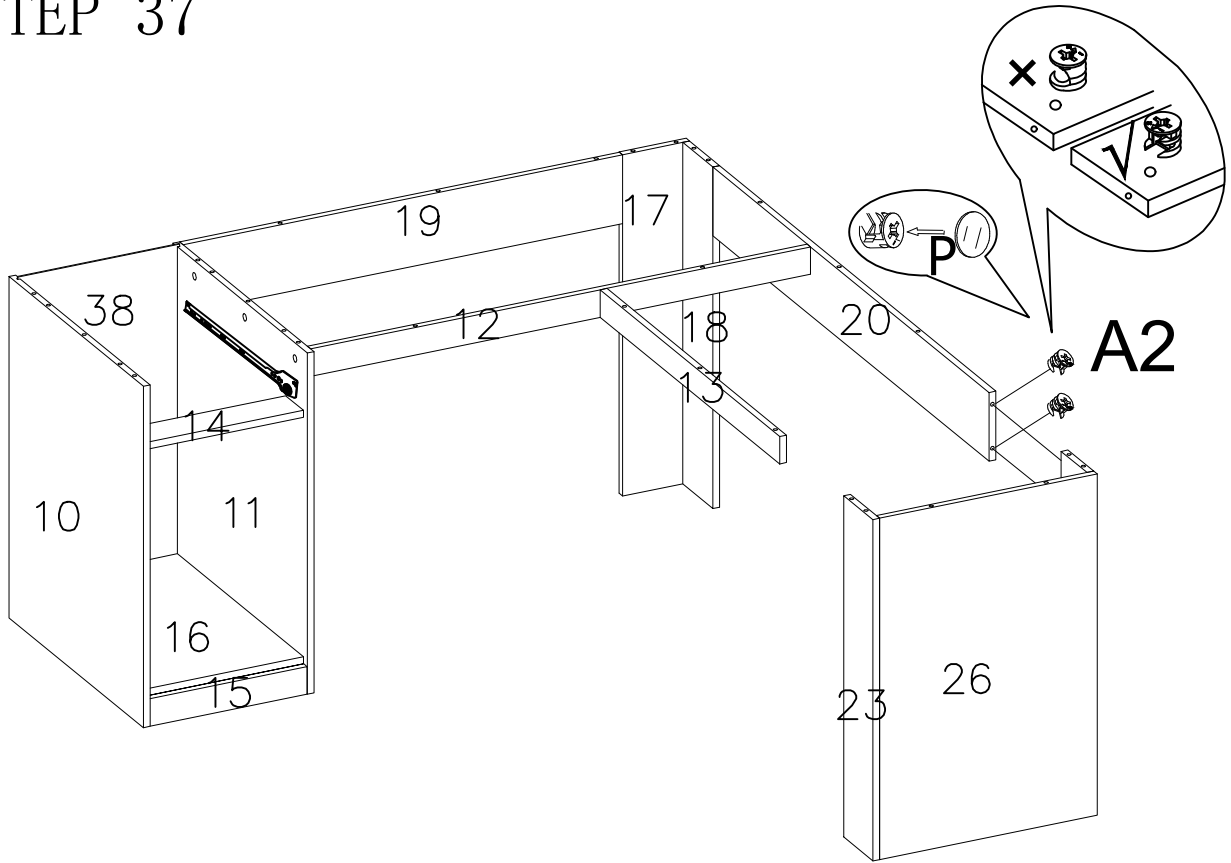
	A2 × 2PCS		C × 2PCS		P × 2PCS
--	-----------	--	----------	--	----------

STEP 36



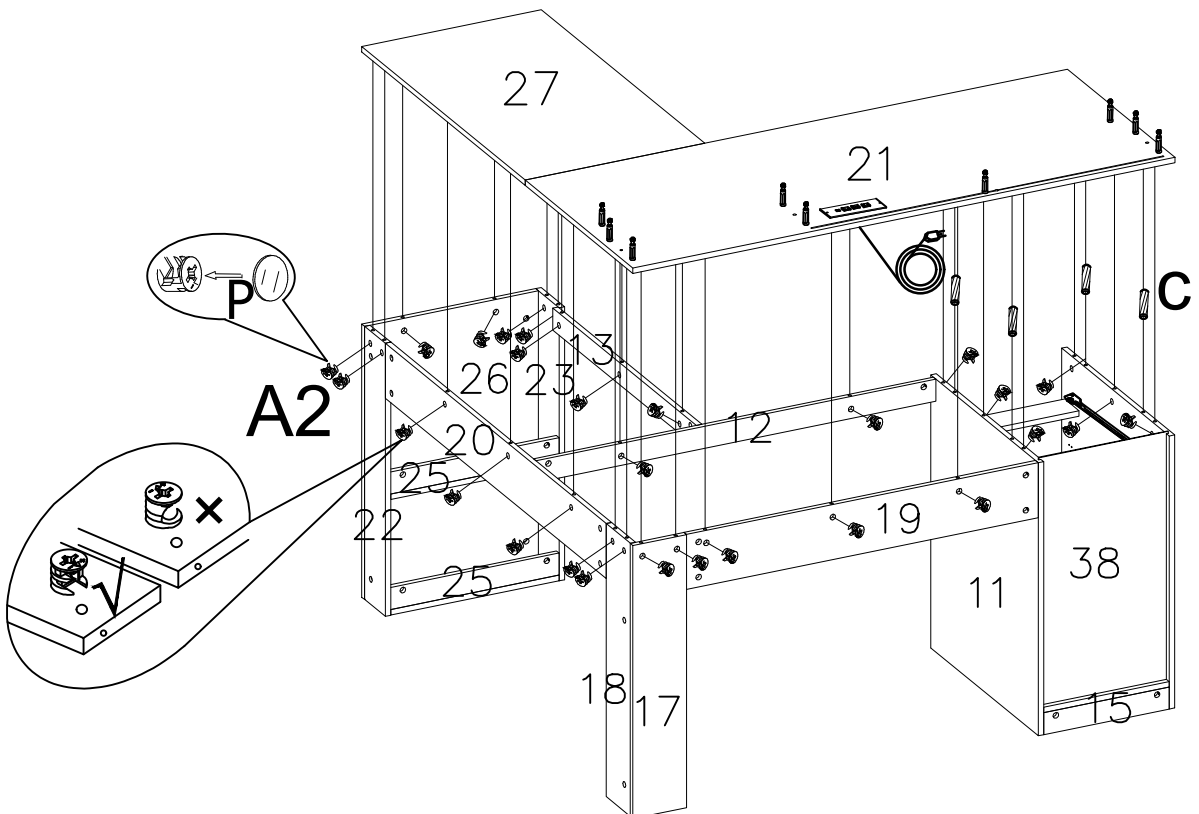
	A2 × 14PCS		C × 6PCS		P × 14PCS
--	------------	--	----------	--	-----------

STEP 37



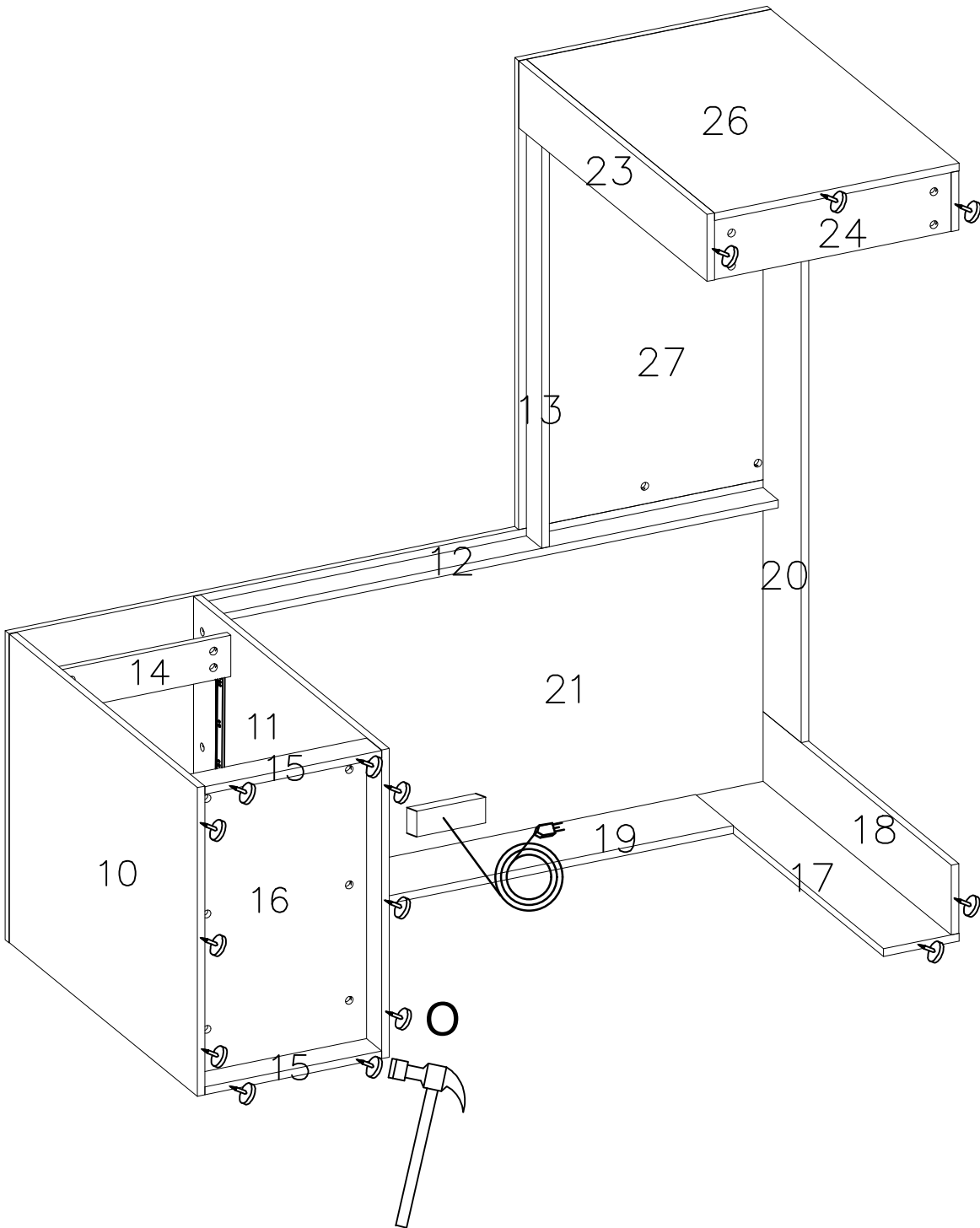
 A2 × 2PCS	 P × 2PCS
-------------------------------------------------------------------------------------------------	------------------------------------------------------------------------------------------------

STEP 38




 A2 × 27PCS	 C × 4PCS	 P × 27PCS
------------------------------------------------------------------------------------------------	------------------------------------------------------------------------------------------------	-------------------------------------------------------------------------------------------------

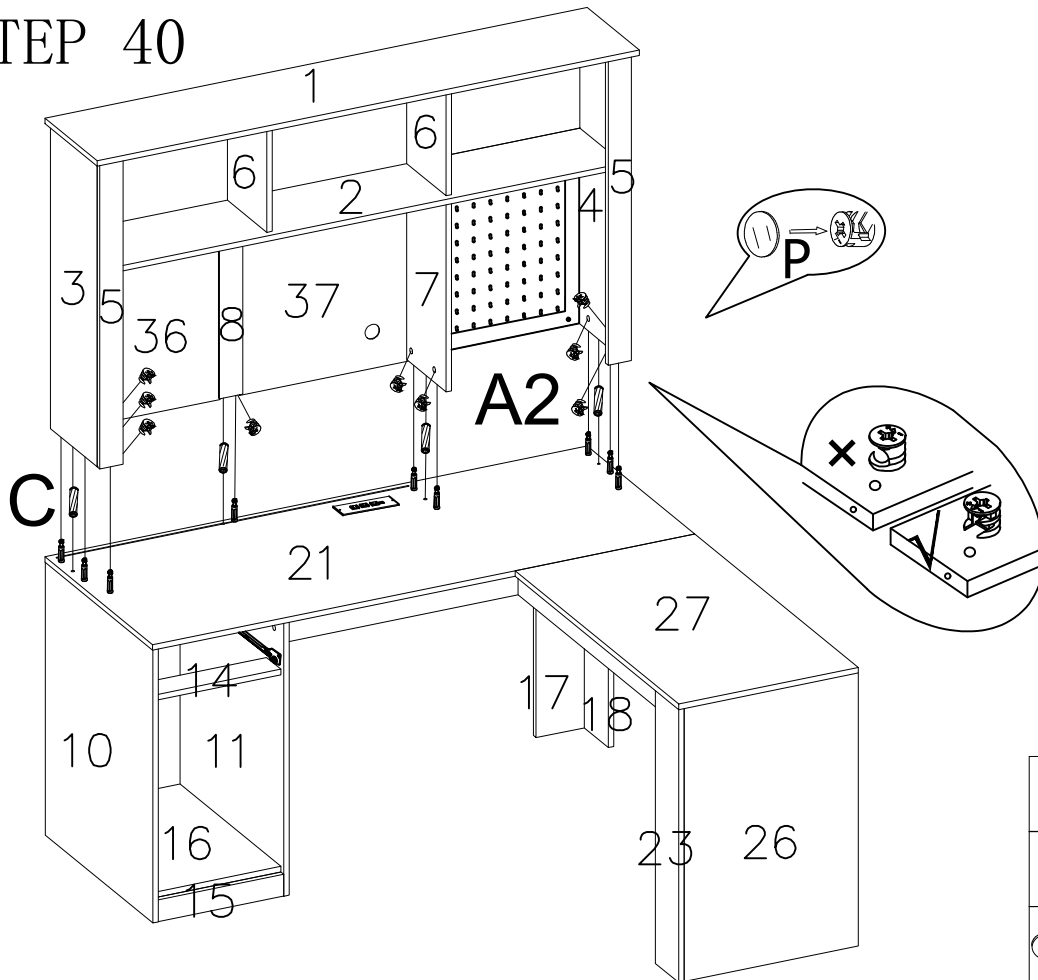
STEP 39






This operation step can be omitted because rotating the product is prone to breakage

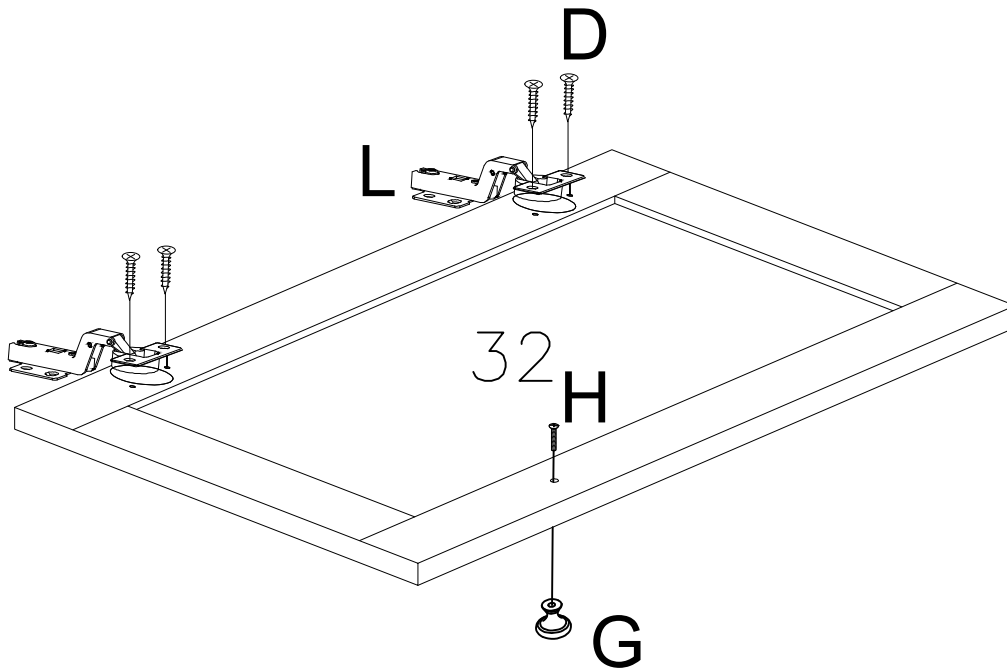
	0 × 15PCS
---------------------------------------------------------------------------------------	-----------





STEP 40



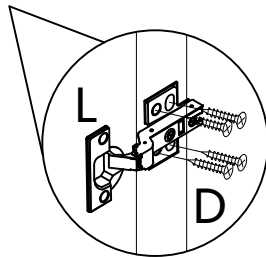
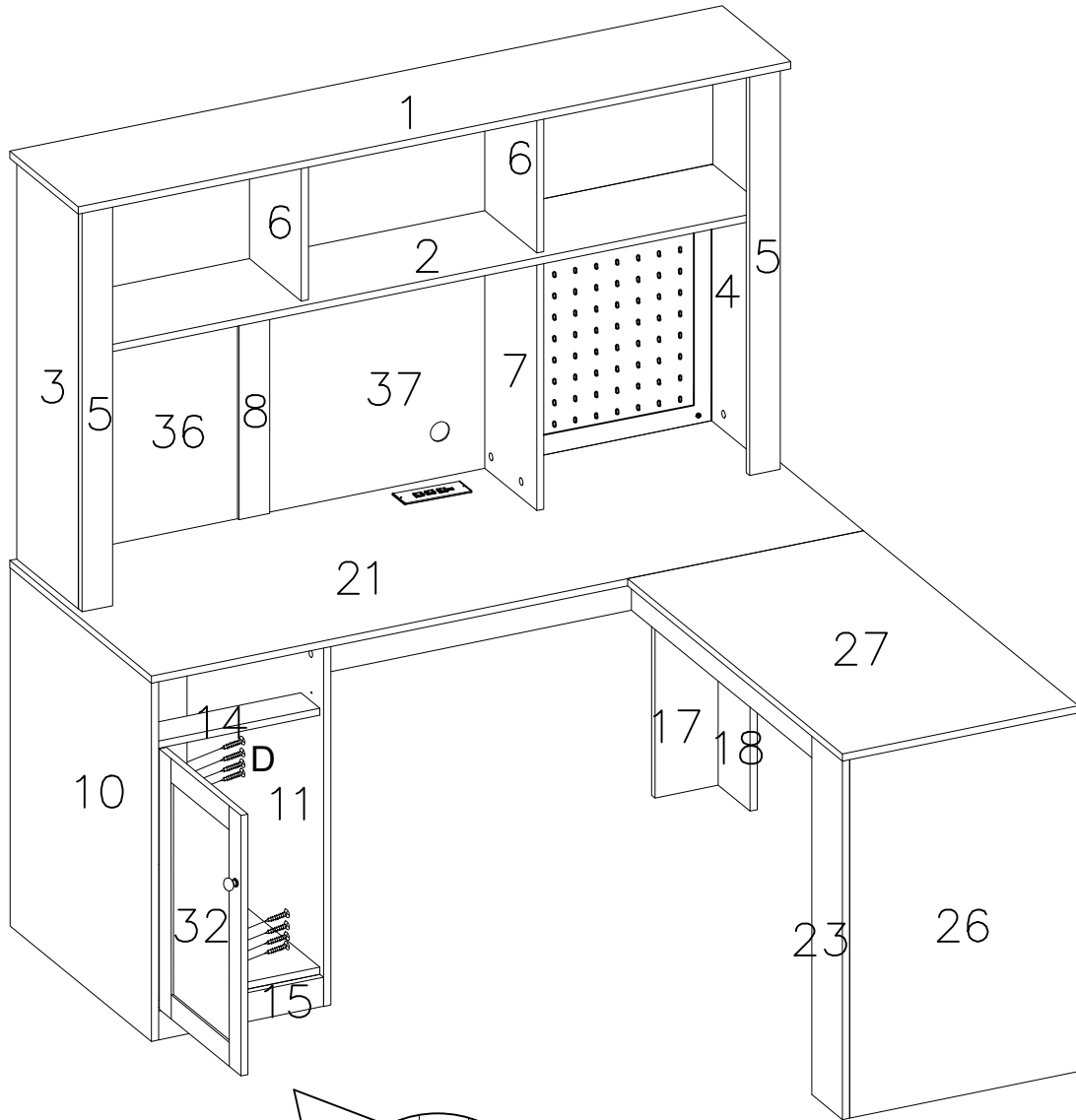
	A2 × 9PCS
	C × 4PCS
	P × 9PCS

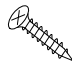
STEP 41



	D × 4PCS		H × 1PC
	G × 1PC		L × 2PCS

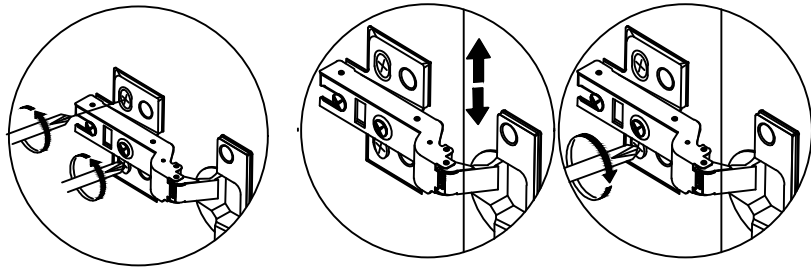
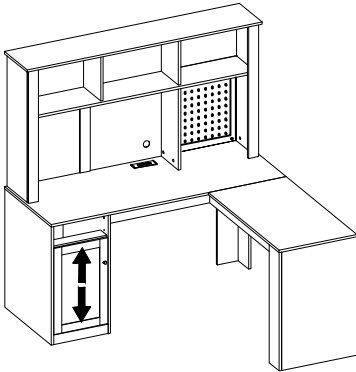
STEP 42



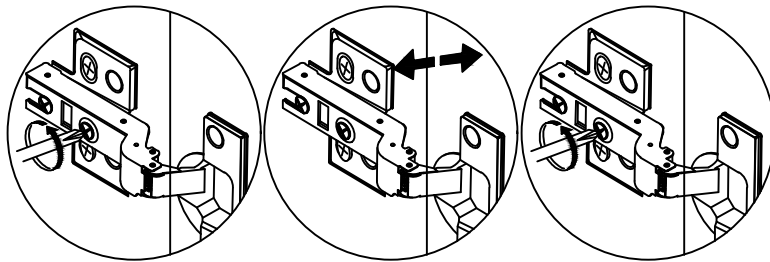
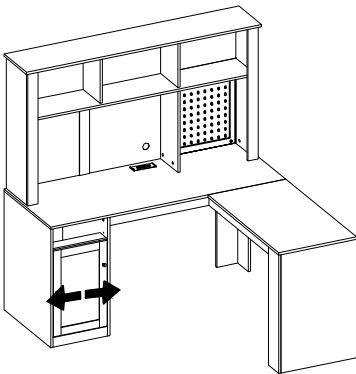
 D × 8PCS

STEP 43

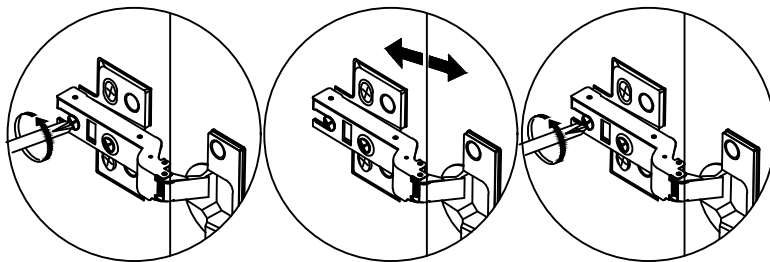
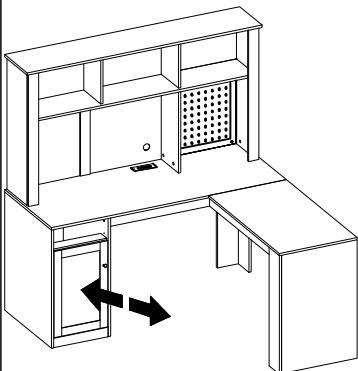
Cabinet door up and down fine adjustment



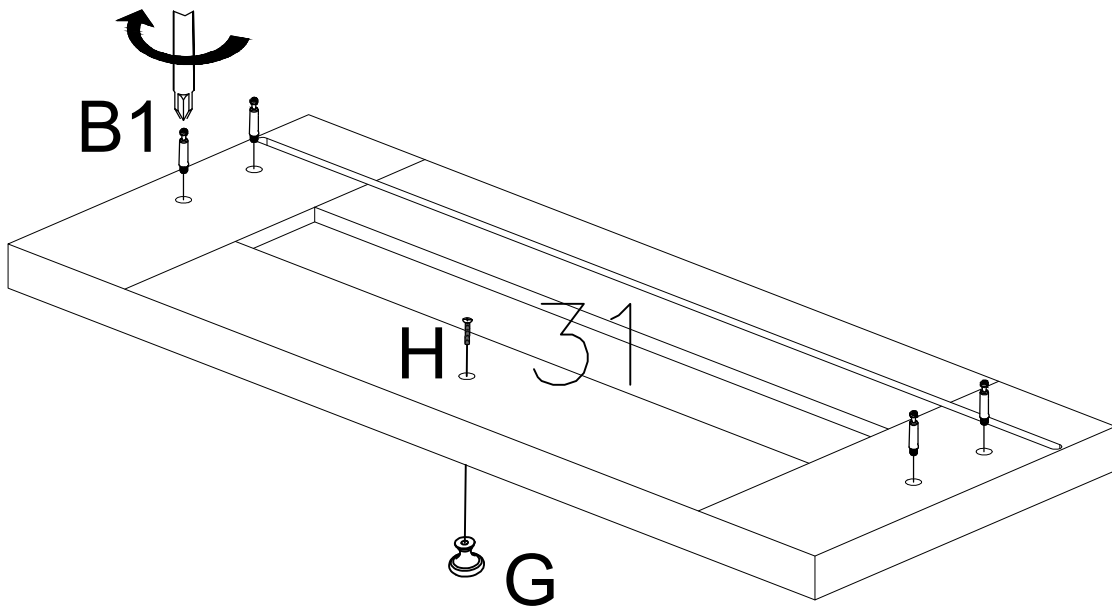
Cabinet door left and right fine adjustment



Fine-tune the gap after the cabinet door is closed

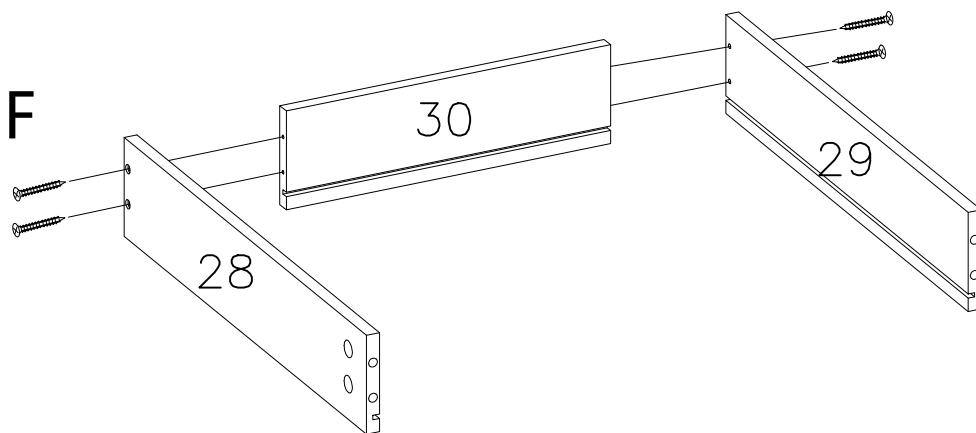



STEP 44



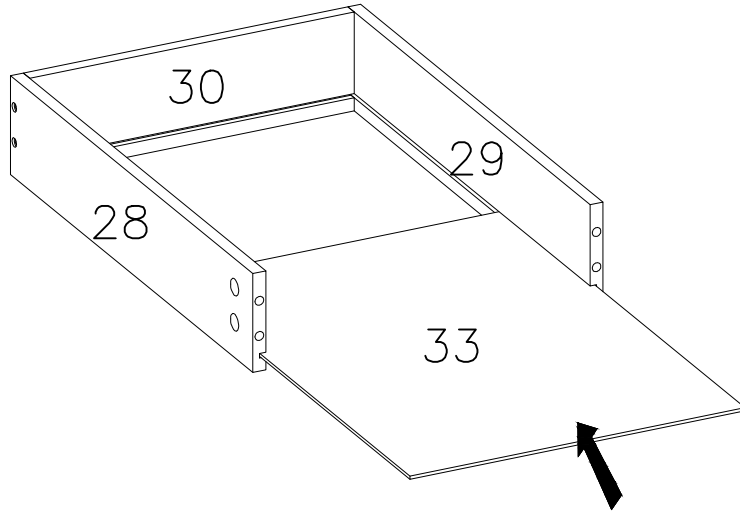
	B1 × 4PCS		H × 1PC		G × 1PC
-------------------------------------------------------------------------------------	-----------	---------------------------------------------------------------------------------------	---------	---------------------------------------------------------------------------------------	---------

STEP 45

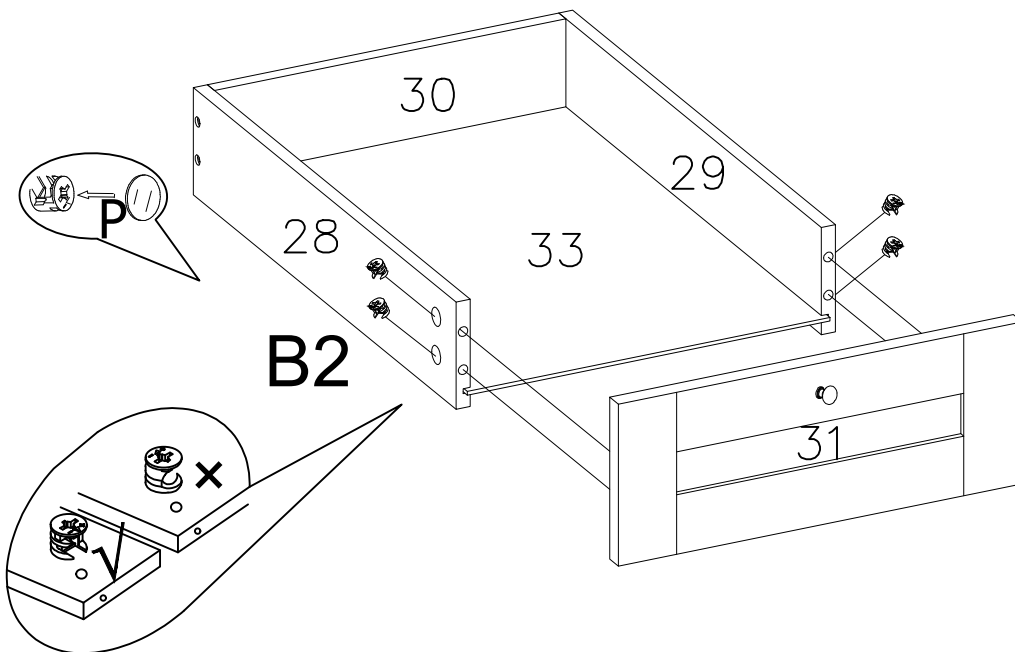




	F × 4PCS
---------------------------------------------------------------------------------------	----------

STEP 46

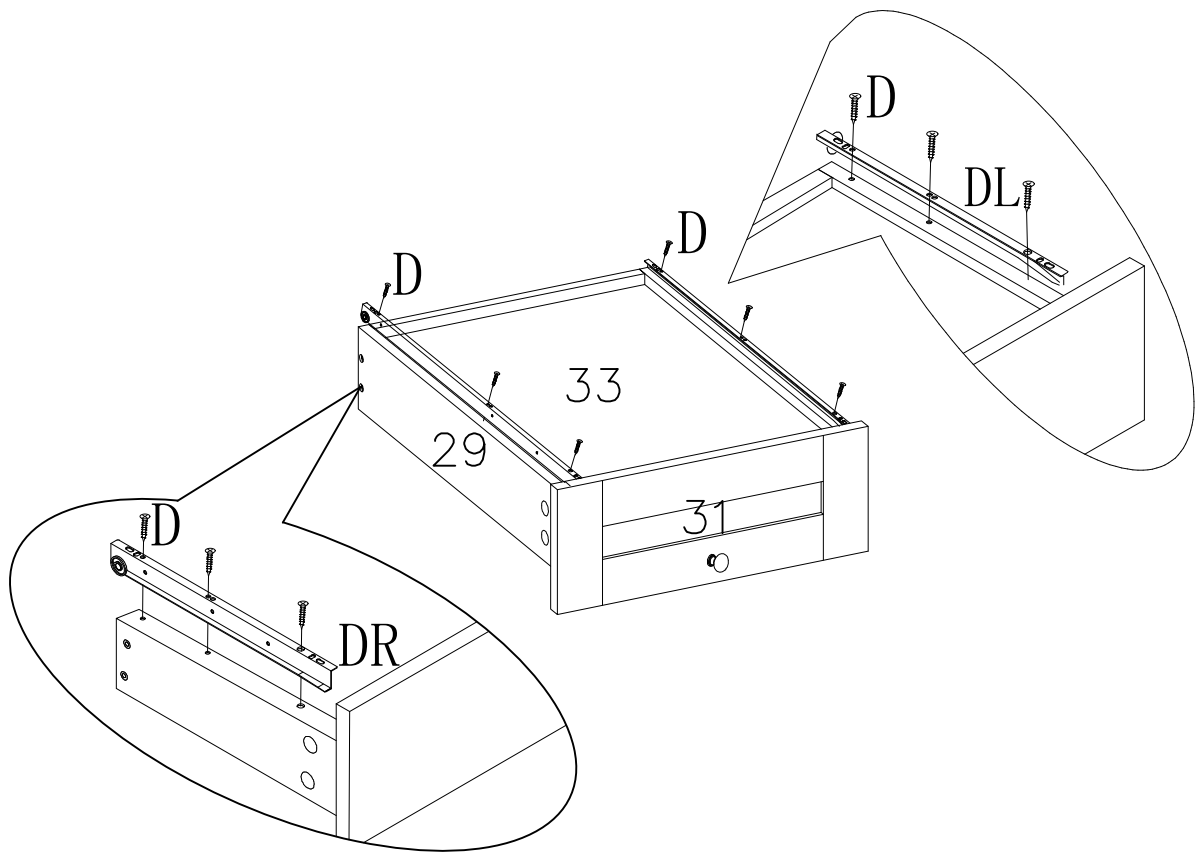





STEP 47



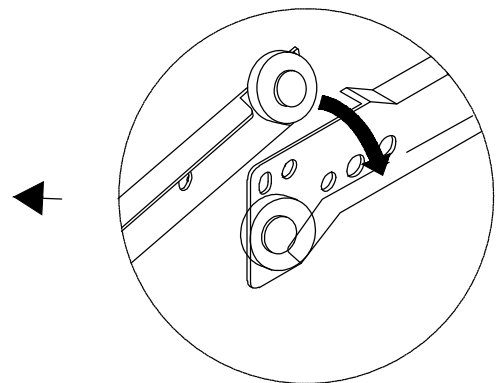
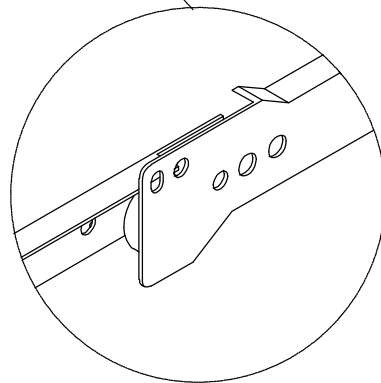
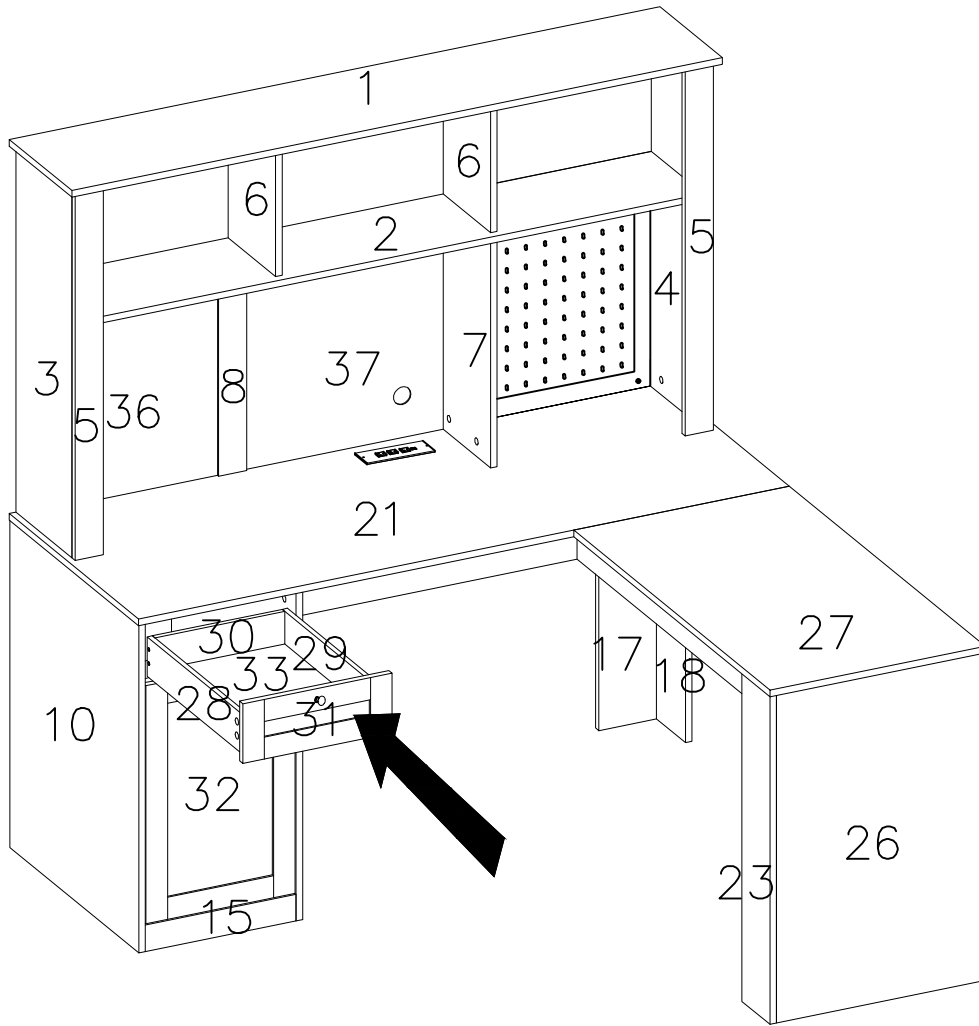
	B2× 4PCS		P×4PCS
---------------------------------------------------------------------------------------	----------	---------------------------------------------------------------------------------------	--------

STEP 48

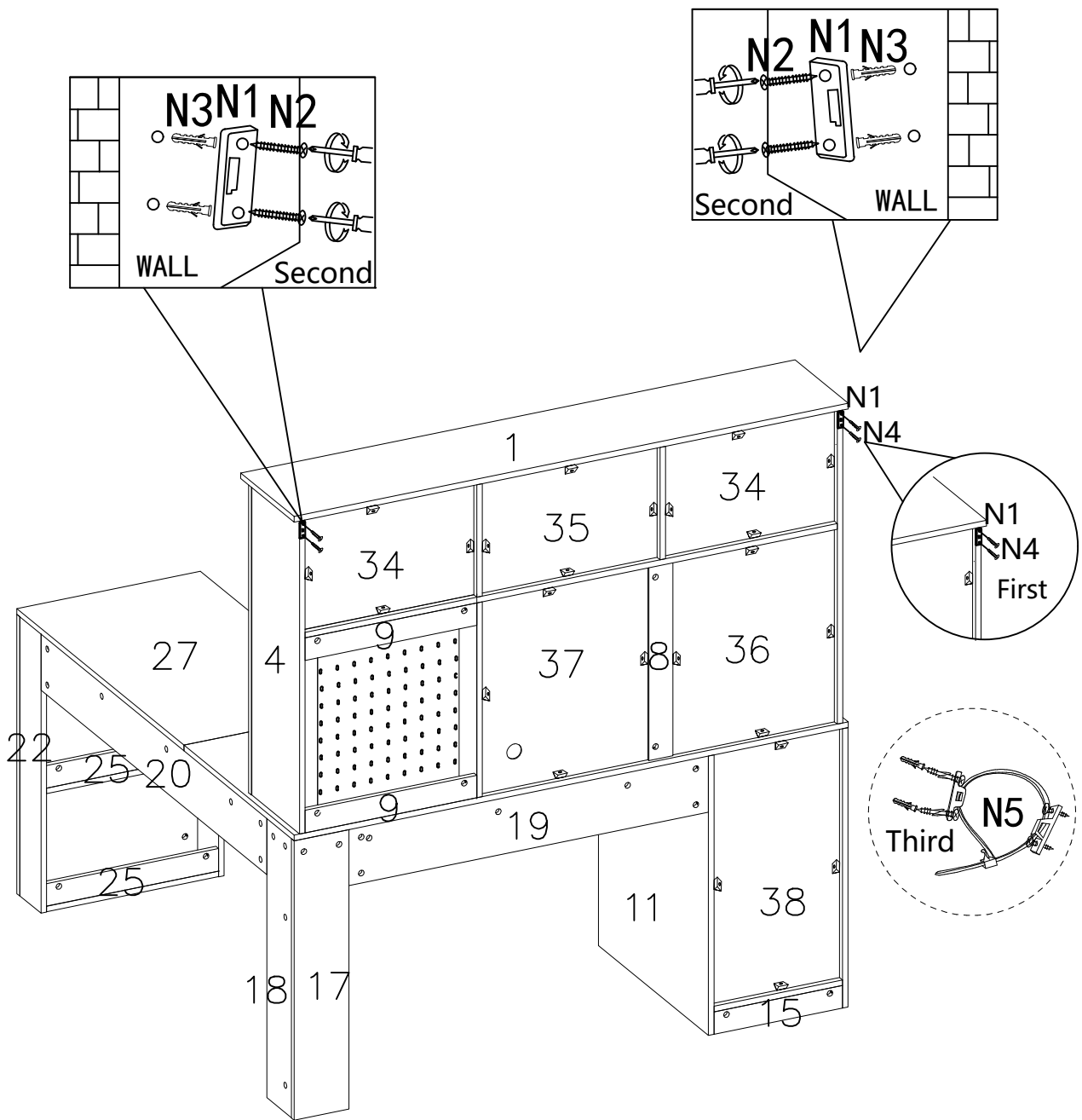


	D × 6PCS
	DR × 1PC
	DL × 1PC

STEP 49



STEP 51



- | | | |
|--|--|-----------------|
| | | <p>N × 2PCS</p> |
| | | |
| | | |