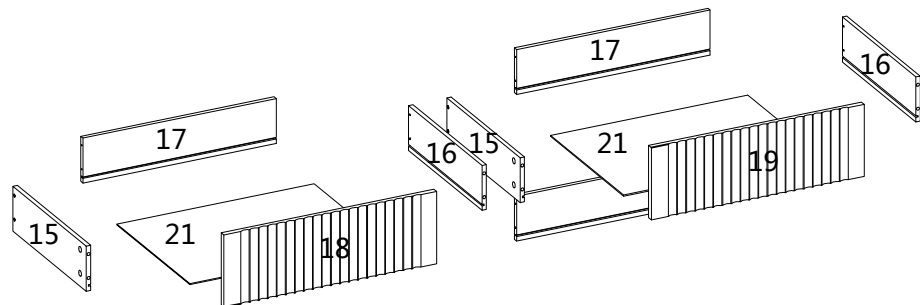
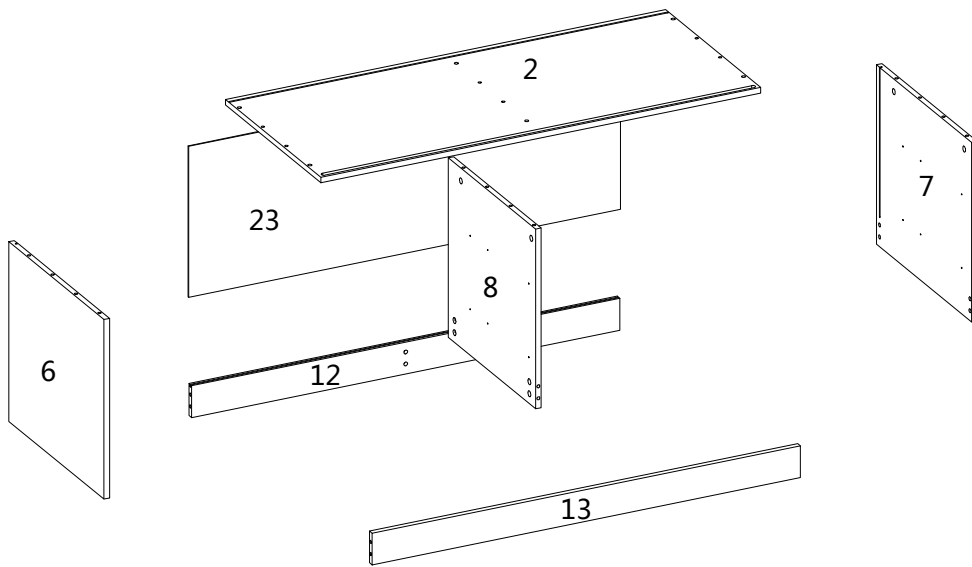
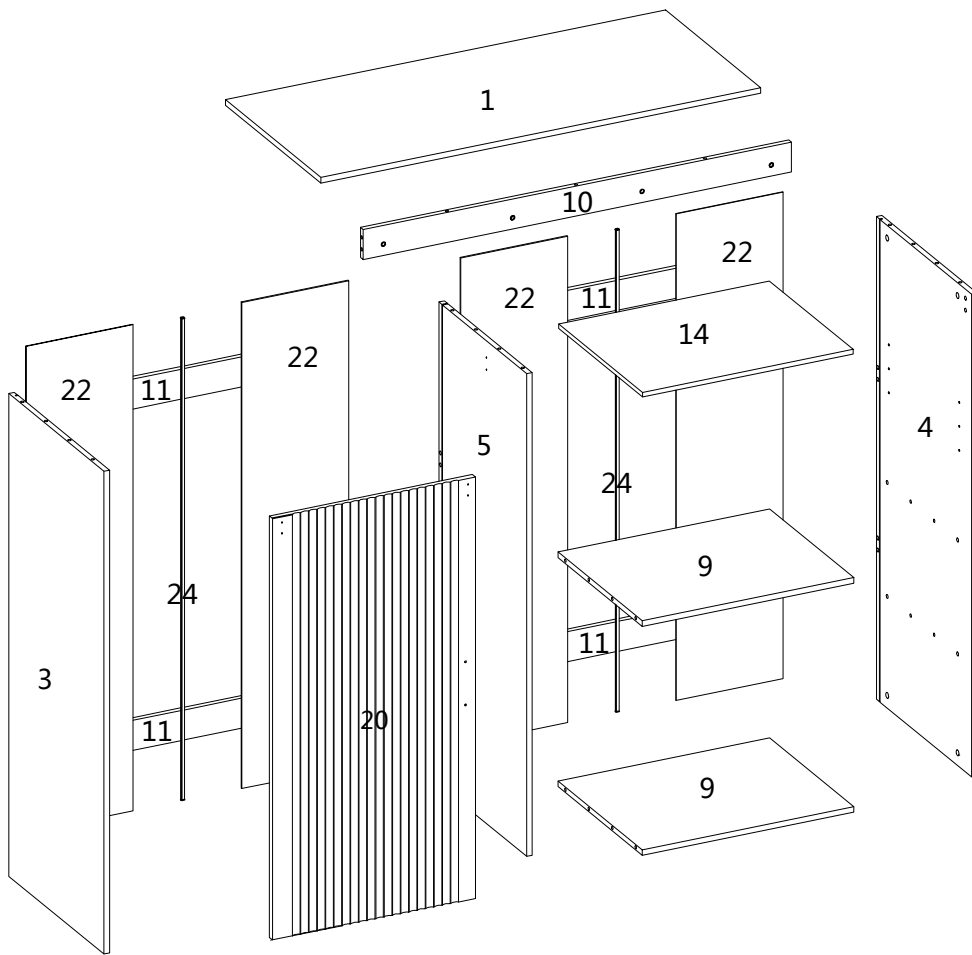
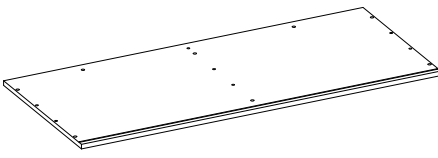
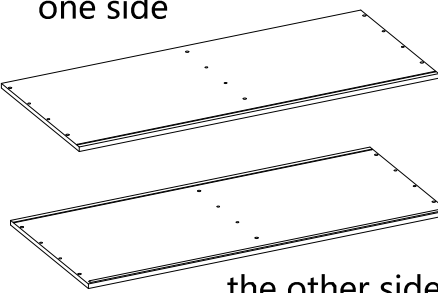
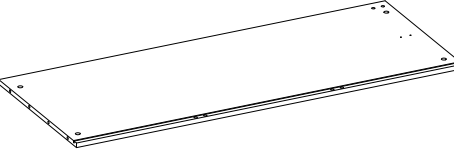
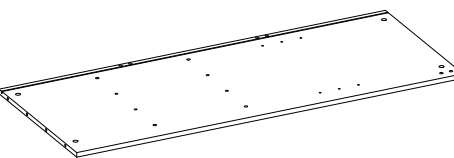

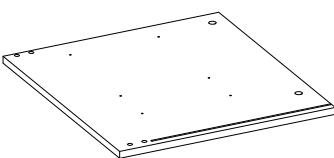
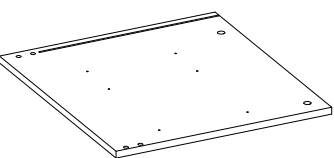
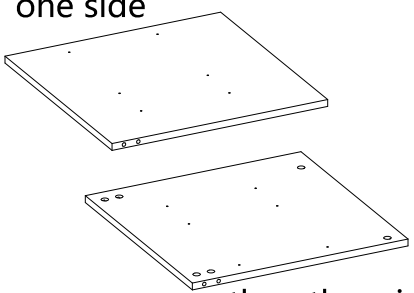
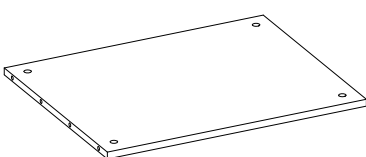
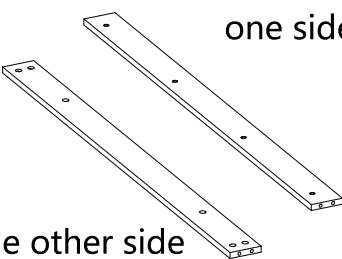
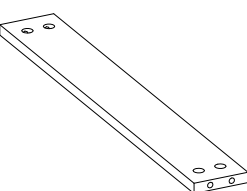
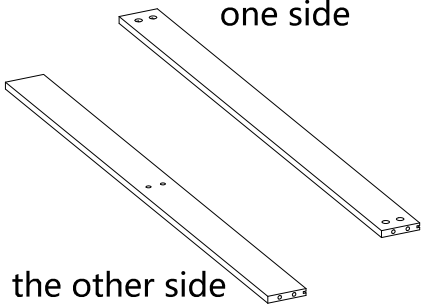
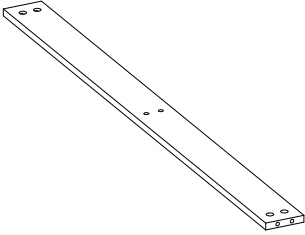
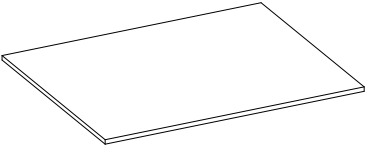
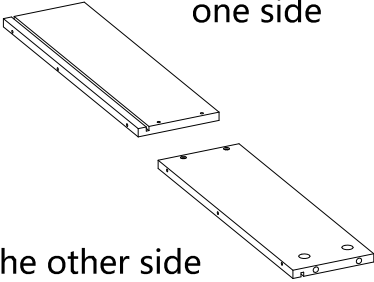
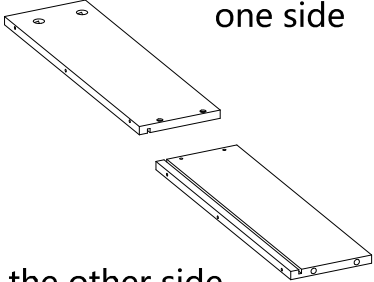
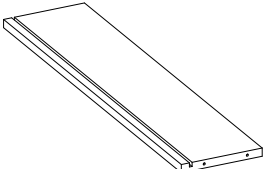
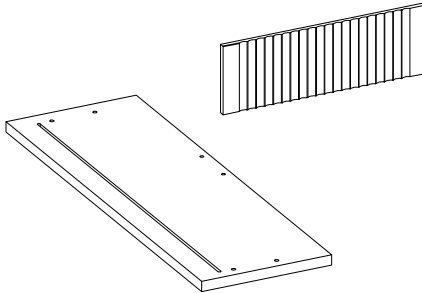
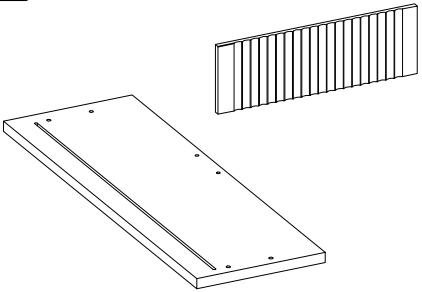
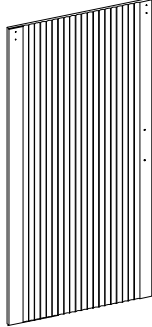
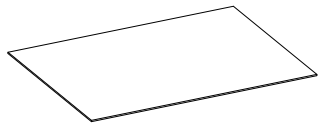
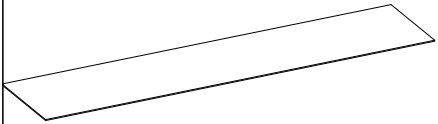
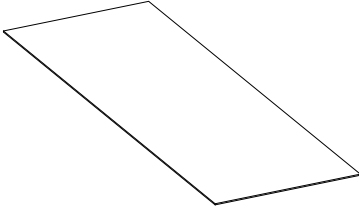



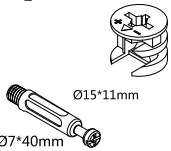
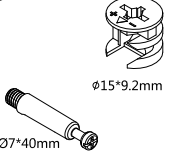
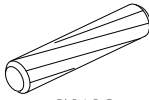
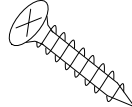
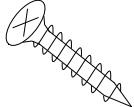
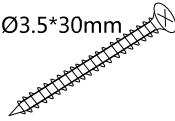
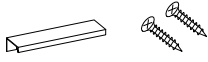
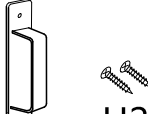
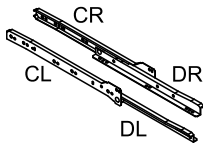

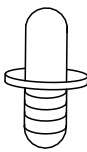

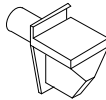

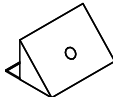
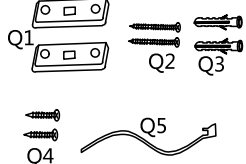

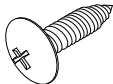
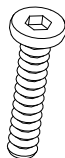
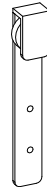
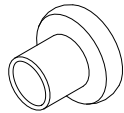

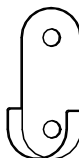
DS-L002WX



X2

<p>1</p>  <p>1200*520*15mm 1PC</p>	<p>2</p> <p>one side</p>  <p>the other side</p> <p>1200*520*15mm 1PC</p>	<p>3</p>  <p>1290*519*15mm 1PC</p>
<p>4</p>  <p>1290*519*15mm 1PC</p>	<p>5</p> <p>one side</p>  <p>the other side</p> <p>1290*478.5*15mm 1PC</p>	<p>6</p>  <p>480*519*15mm 1PC</p>
<p>7</p>  <p>480*519*15mm 1PC</p>	<p>8</p> <p>one side</p>  <p>the other side</p> <p>480*473.5*15mm 1PC</p>	<p>9</p>  <p>576.5*457.5*15mm 2PCS</p>
<p>10</p> <p>one side</p>  <p>the other side</p> <p>1168*80*15mm 1PC</p>	<p>11</p> <p>480*476.5*15mm</p>  <p>576.5*80*15mm 4PCS</p>	<p>12</p> <p>one side</p>  <p>the other side</p> <p>1168*85*15mm 1PC</p>

<p>13</p>  <p>1168*85*18mm 1PC</p>	<p>14</p>  <p>574.5*456.5*12mm 1PC</p>	<p>15</p>  <p>400*120*12mm 4PCS</p>
<p>16</p>  <p>400*120*12mm 4PCS</p>	<p>17</p>  <p>527.5*120*12mm 4PCS</p>	<p>18</p>  <p>580*193*18mm 2PCS</p>
<p>19</p>  <p>580*193*18mm 2PCS</p>	<p>20</p>  <p>1213*585*18mm 1PC</p>	<p>21</p>  <p>537.5*397*3mm 4PCS</p>
<p>22</p>  <p>1299*291.5*3mm 4PCS</p>	<p>23</p>  <p>404*1178*3mm 1PC</p>	<p>24</p>  <p>L=1288mm 2PCS</p>

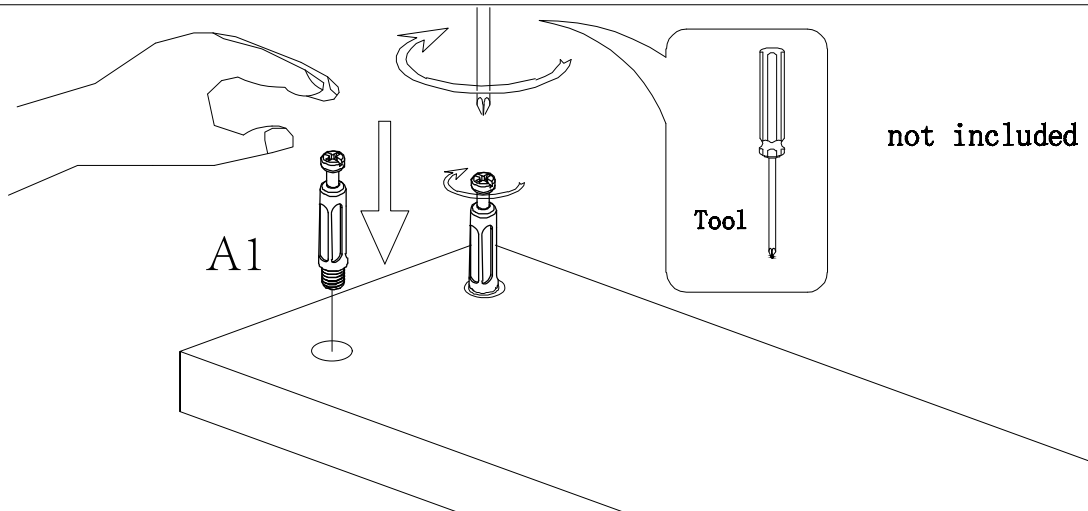
<p>A</p>  <p>Ø15*11mm Ø7*40mm</p> <p>60PCS</p>	<p>B</p>  <p>Ø15*9.2mm Ø7*40mm</p> <p>16PCS</p>	<p>C</p>  <p>Ø8*30mm</p> <p>27PCS</p>	<p>D</p>  <p>Ø3.5*12mm</p> <p>24PCS</p>
<p>E</p>  <p>Ø3.5*14mm</p> <p>56PCS</p>	<p>F</p>  <p>Ø3.5*30mm</p> <p>16PCS</p>	<p>G</p>  <p>G1 G2</p> <p>4PCS</p>	<p>H</p>  <p>H1 H2</p> <p>1PC</p>
<p>J</p>  <p>CR CL DR DL</p> <p>L=400mm 4PCS</p>		<p>K</p>  <p>L=1164mm 1PC</p>	
<p>L</p>  <p>2PCS</p>	<p>M</p>  <p>L=570mm 1PC</p>	<p>N</p>  <p>4PCS</p>	<p>O</p>  <p>10PCS</p>
<p>P</p>  <p>28PCS</p>	<p>Q</p>  <p>Q1 Q2 Q3 Q4 Q5</p> <p>2PCS</p>		<p>R</p>  <p>76PCS</p>
<p>S</p>  <p>4PCS</p>	<p>T</p>  <p>4PCS</p>	<p>U</p>  <p>2PCS</p>	
<p>V</p>  <p>4PCS</p>	<p>W</p>  <p>1PC</p>	<p>X</p>  <p>2PCS</p>	

Hardware installation demonstration

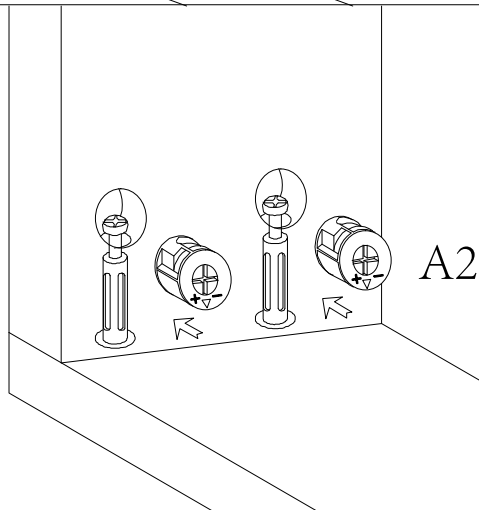


NOTE: Please make sure "A1" hardware tightened and can't be pulled out!

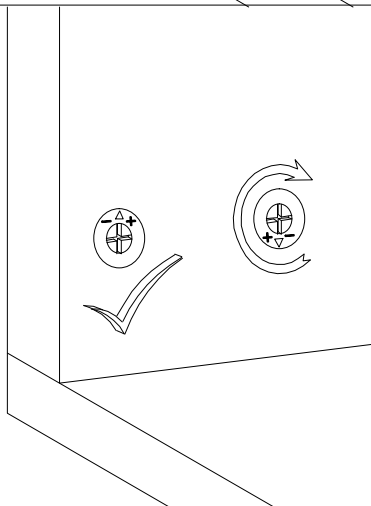
I



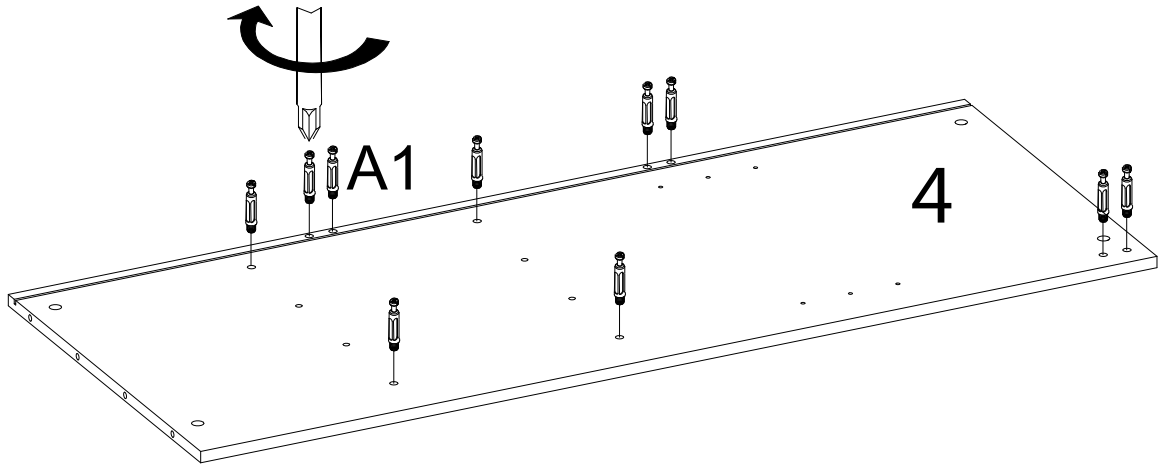
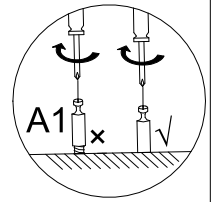
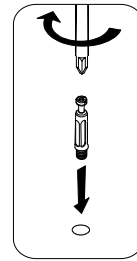
II




III

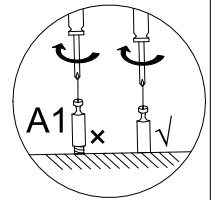
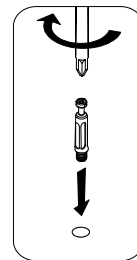


STEP 1

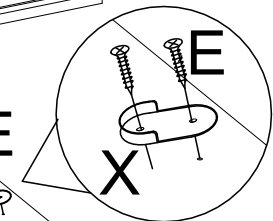
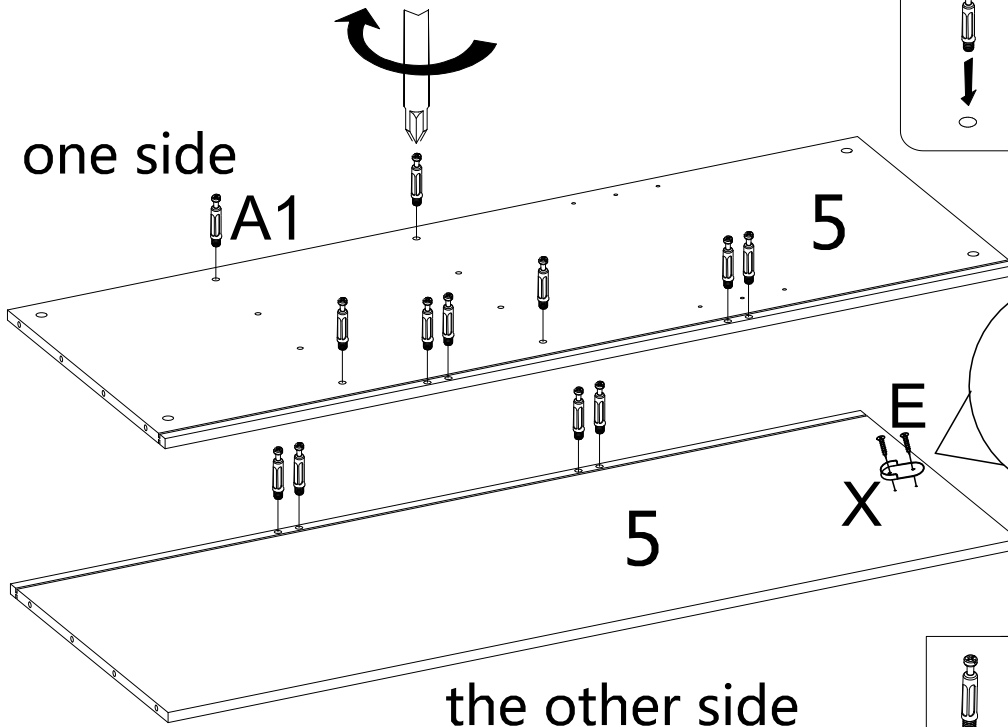


	A1 × 10PCS
---	------------


STEP 2





one side

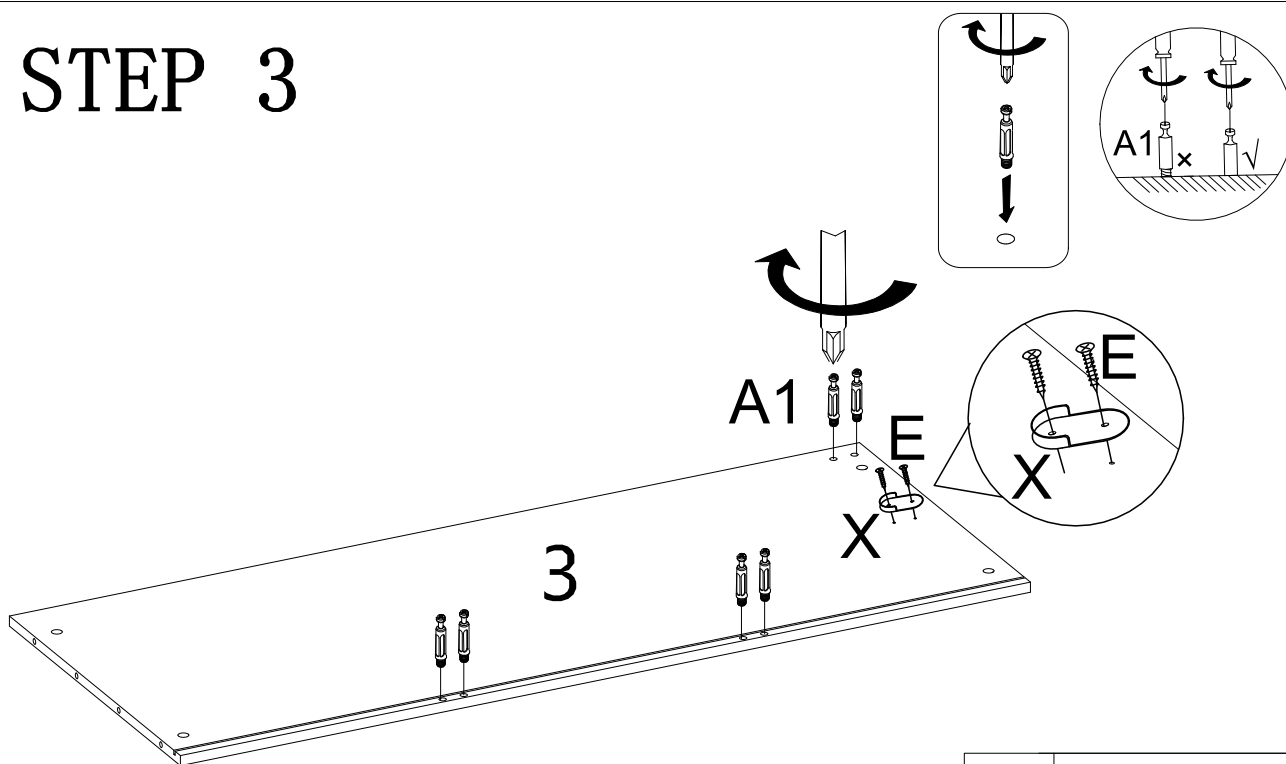





the other side

	A1 × 12PCS
---	------------

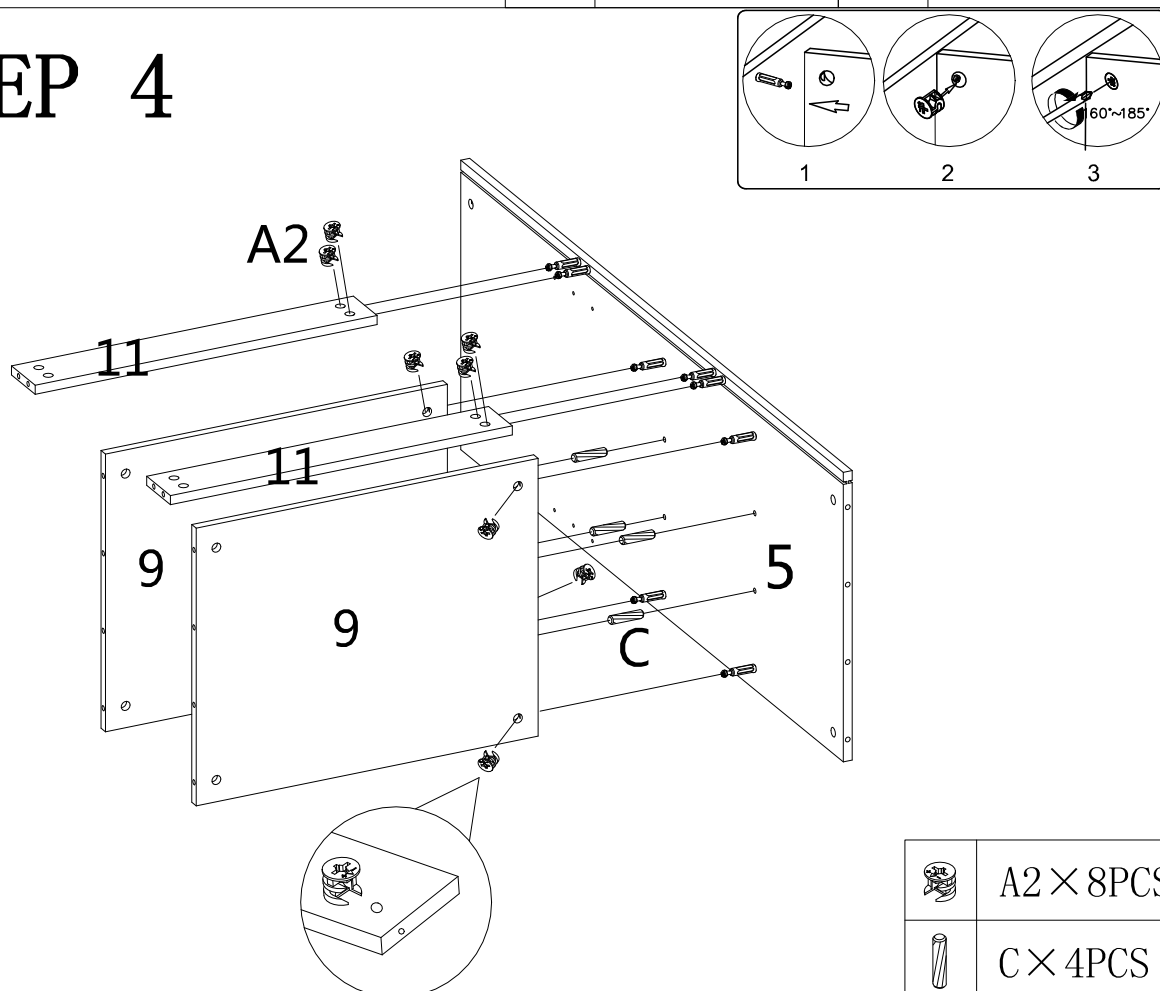
	E × 2PCS		X × 1PC
---	----------	---	---------



STEP 3



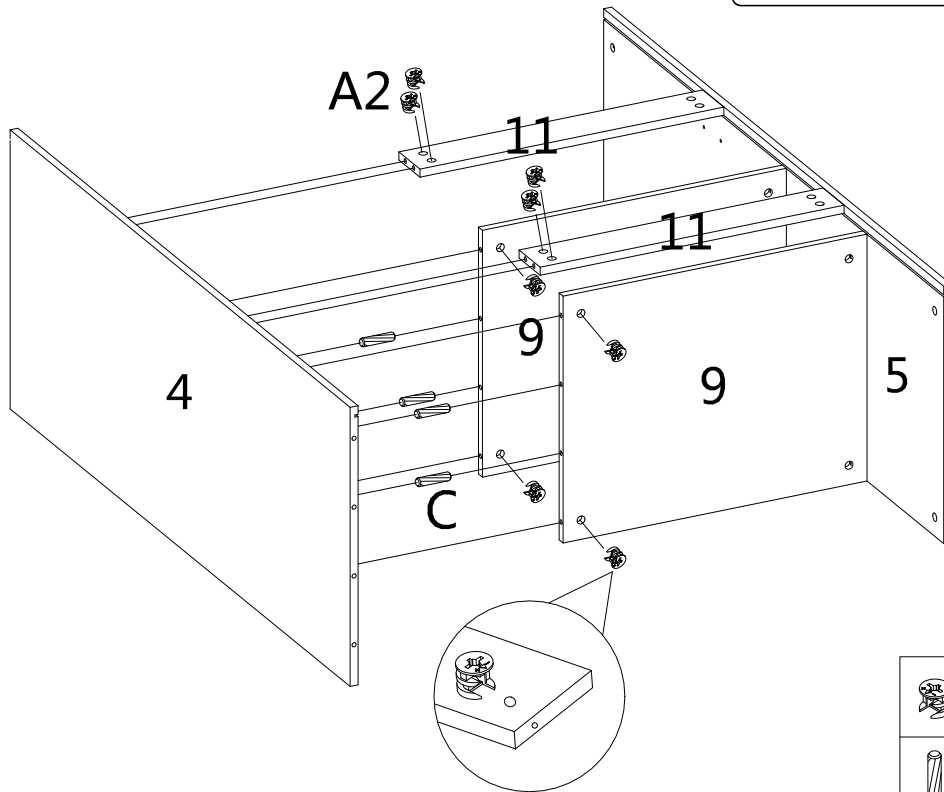
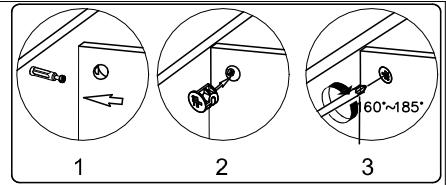
	A1 × 6PCS
	E × 2PCS
	X × 1PC



STEP 4



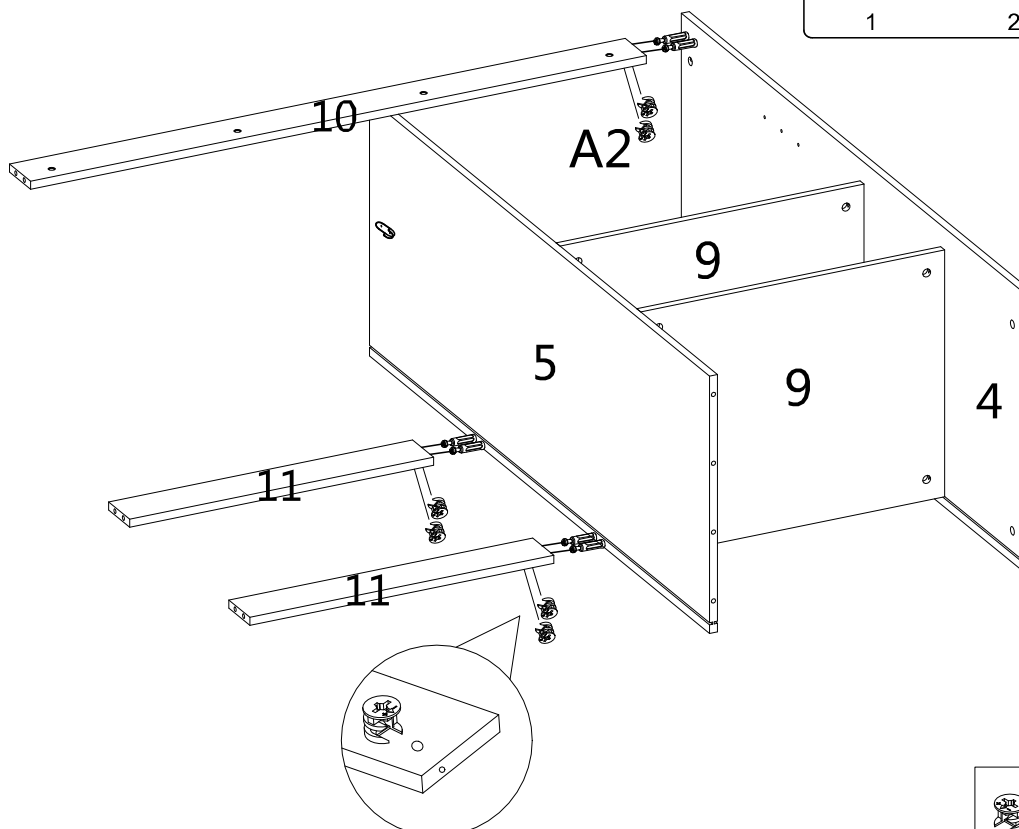
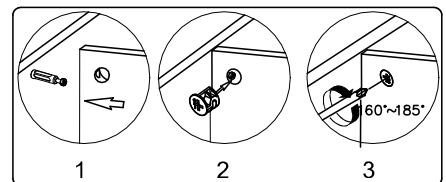
	A2 × 8PCS
	C × 4PCS


STEP 5



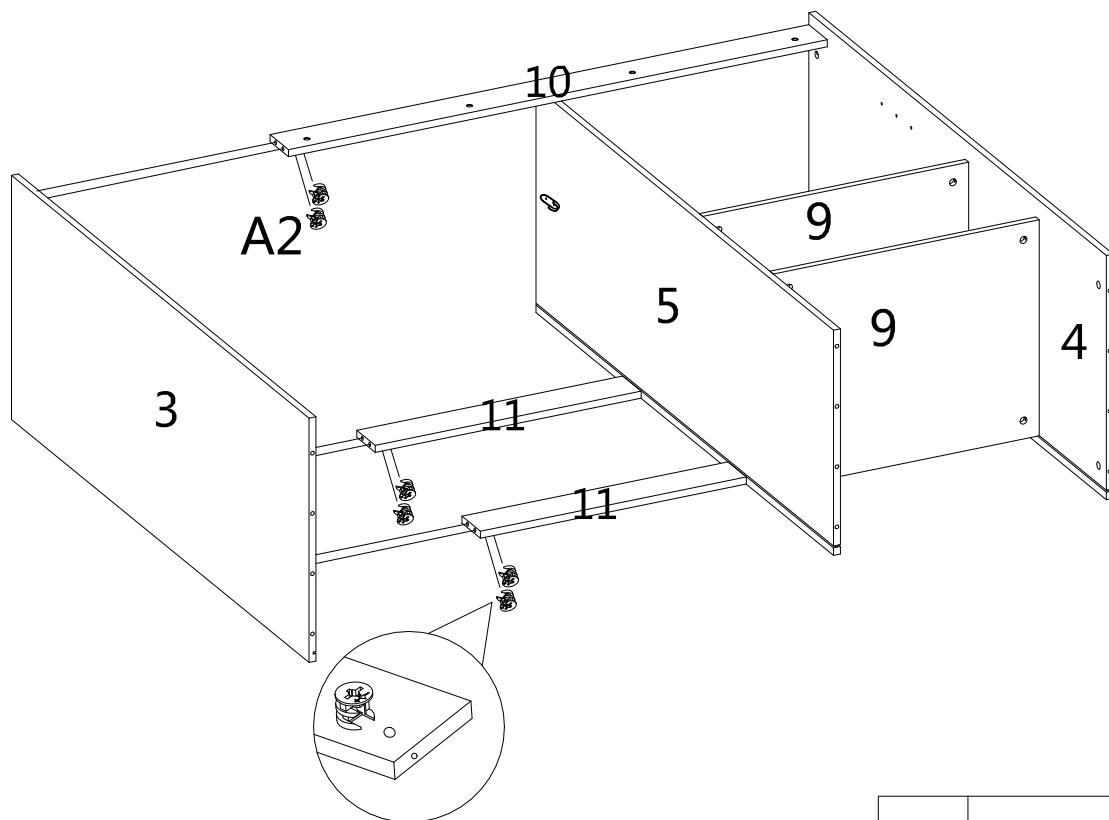
	A2 × 8PCS
	C × 4PCS


STEP 6



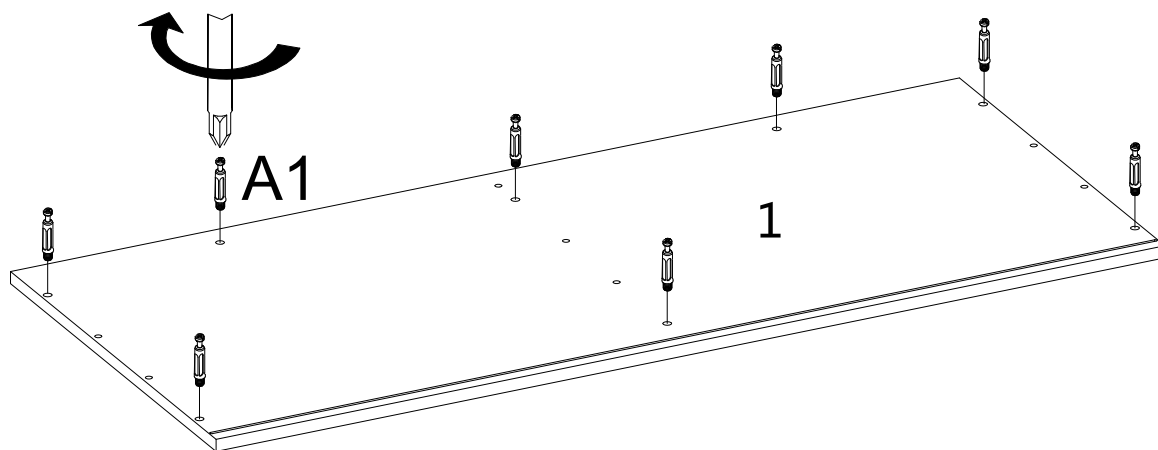
	A2 × 6PCS
---	-----------

STEP 7



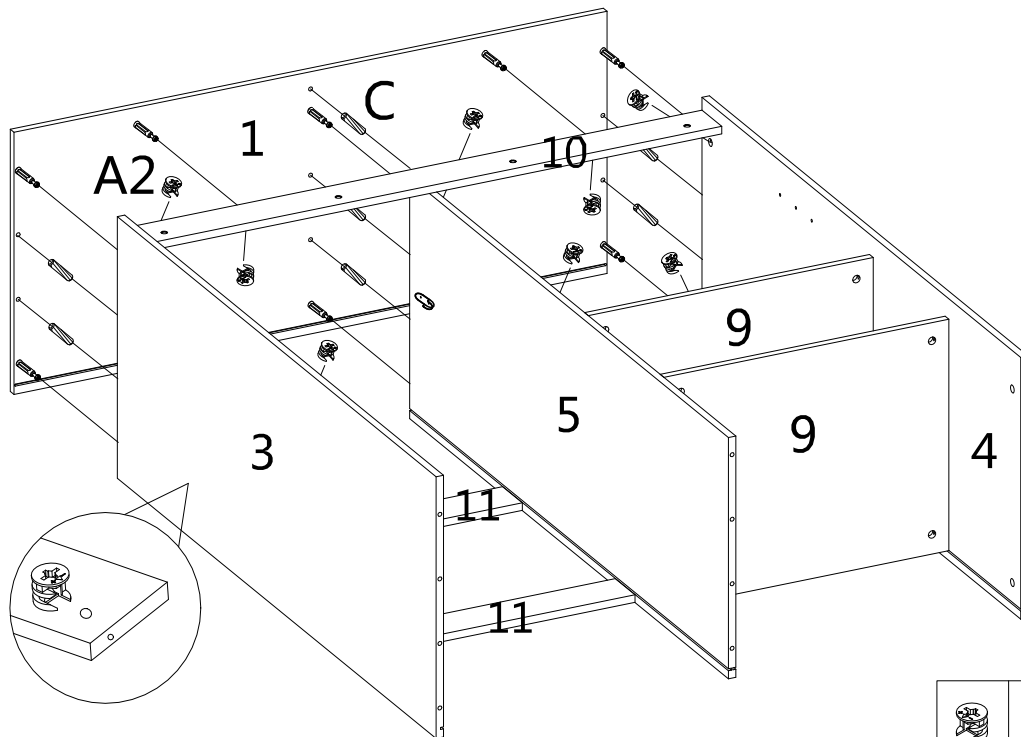
 A2 × 6PCS



STEP 8



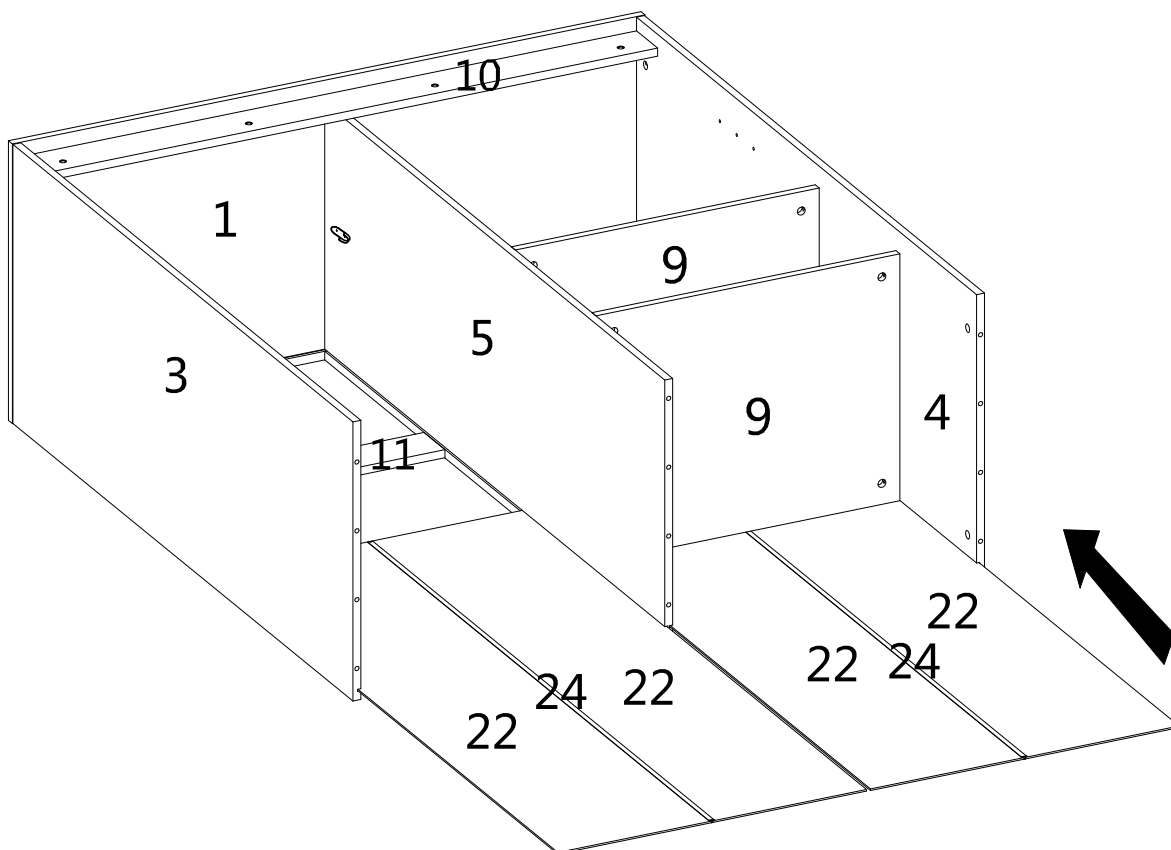
 A1 × 8PCS

STEP 9

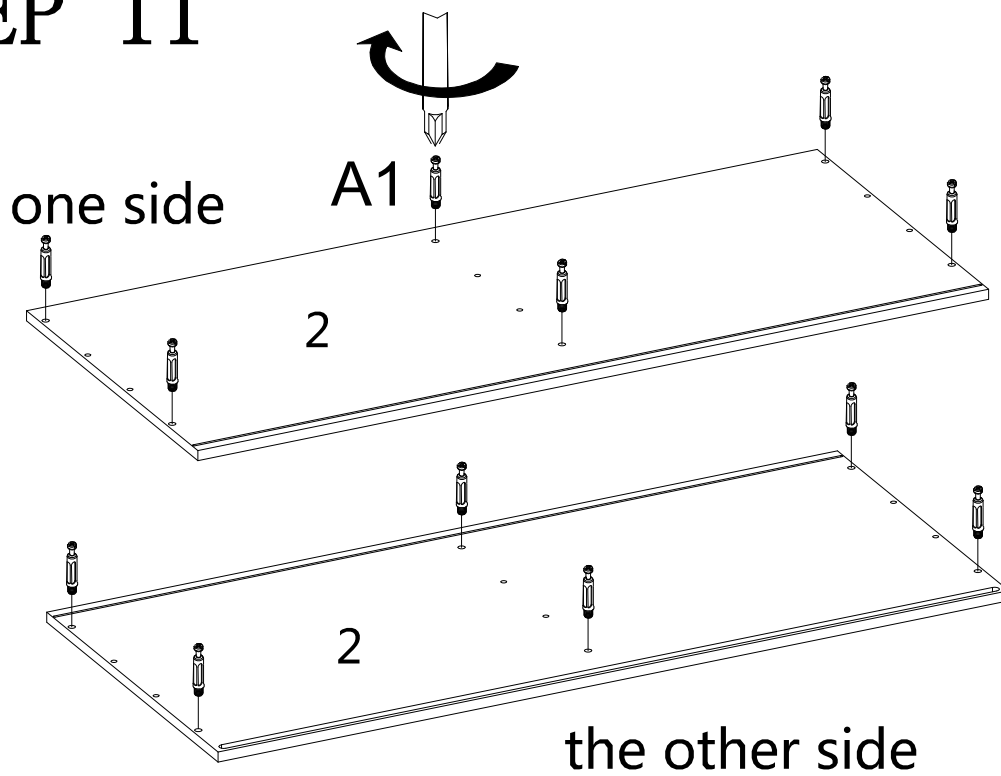


	A2 × 8PCS
	C × 7PCS

STEP 10

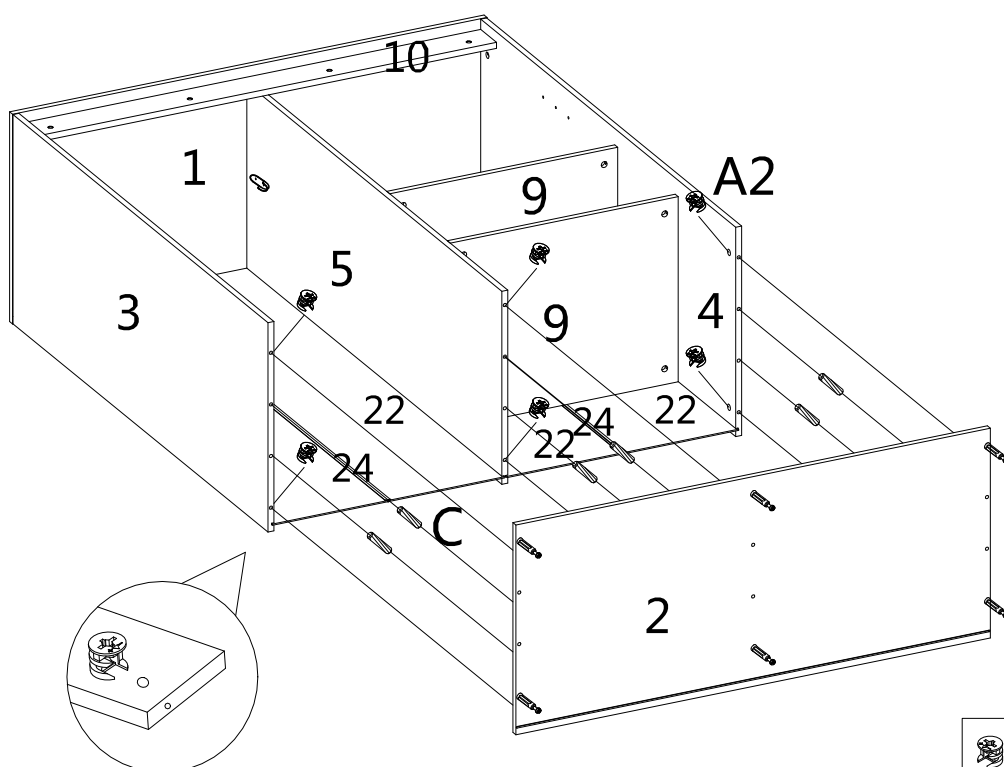




STEP 11



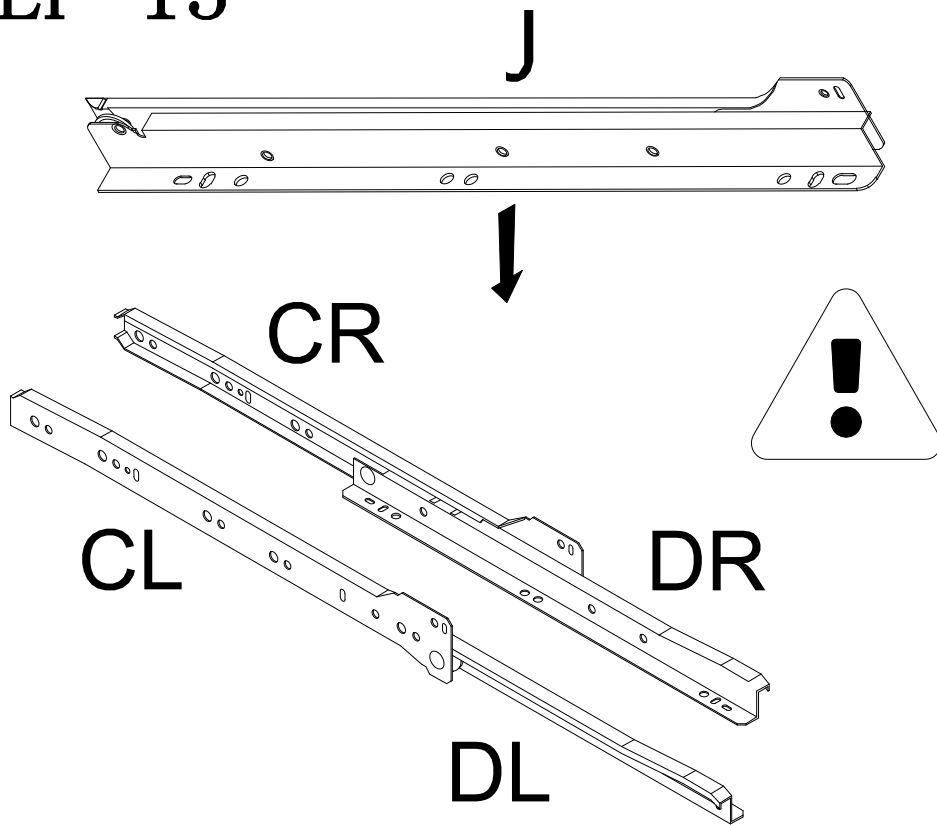
	A1 × 12PCS
---	------------

STEP 12

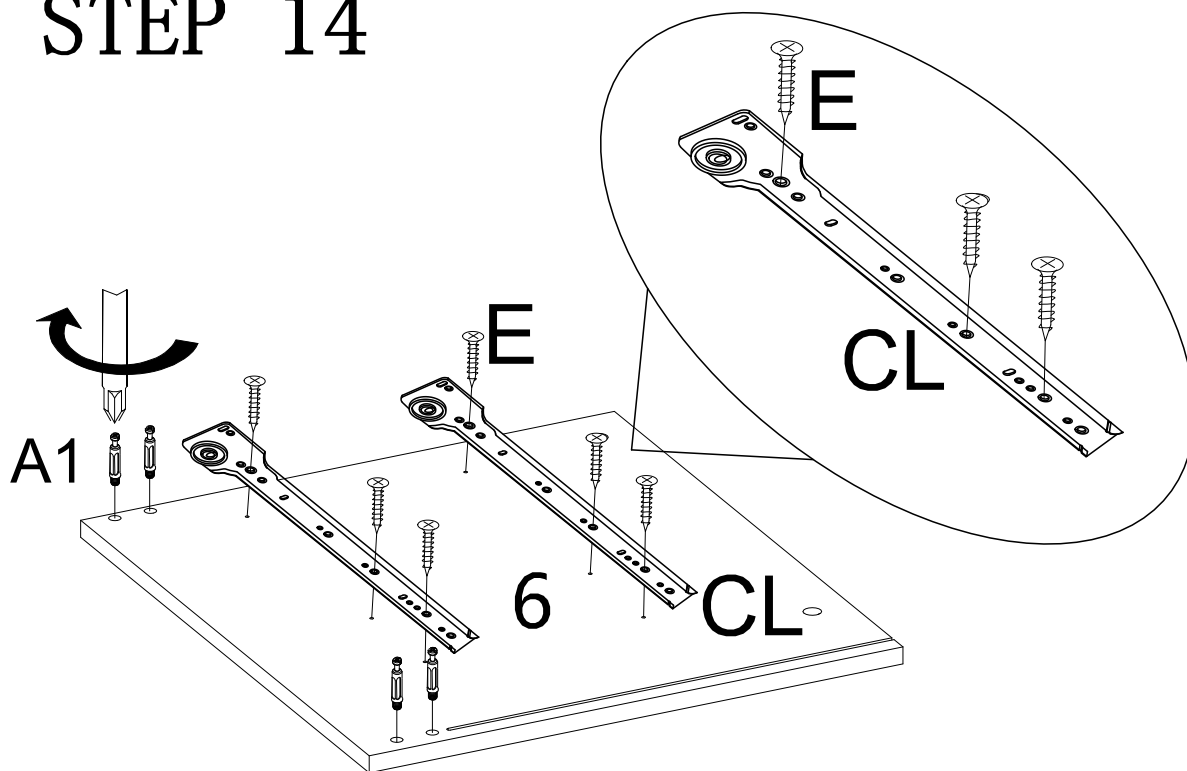


	A2 × 6PCS
	C × 6PCS

STEP 13

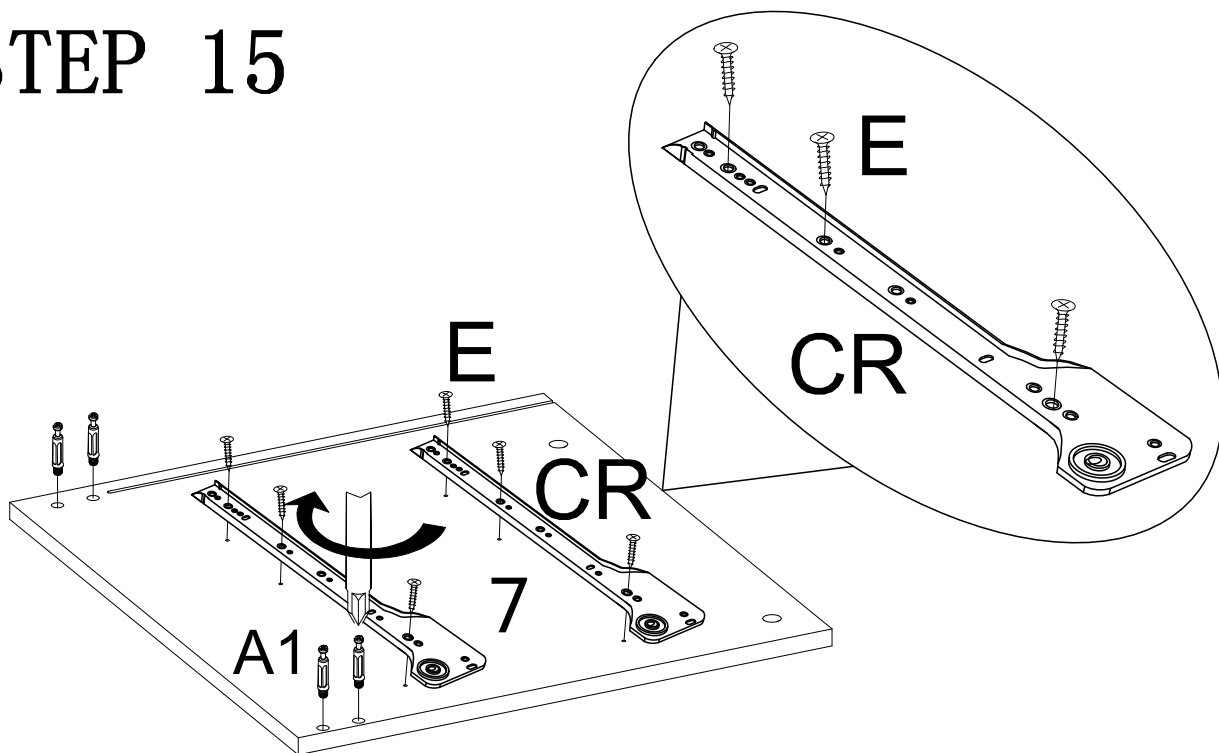





STEP 14



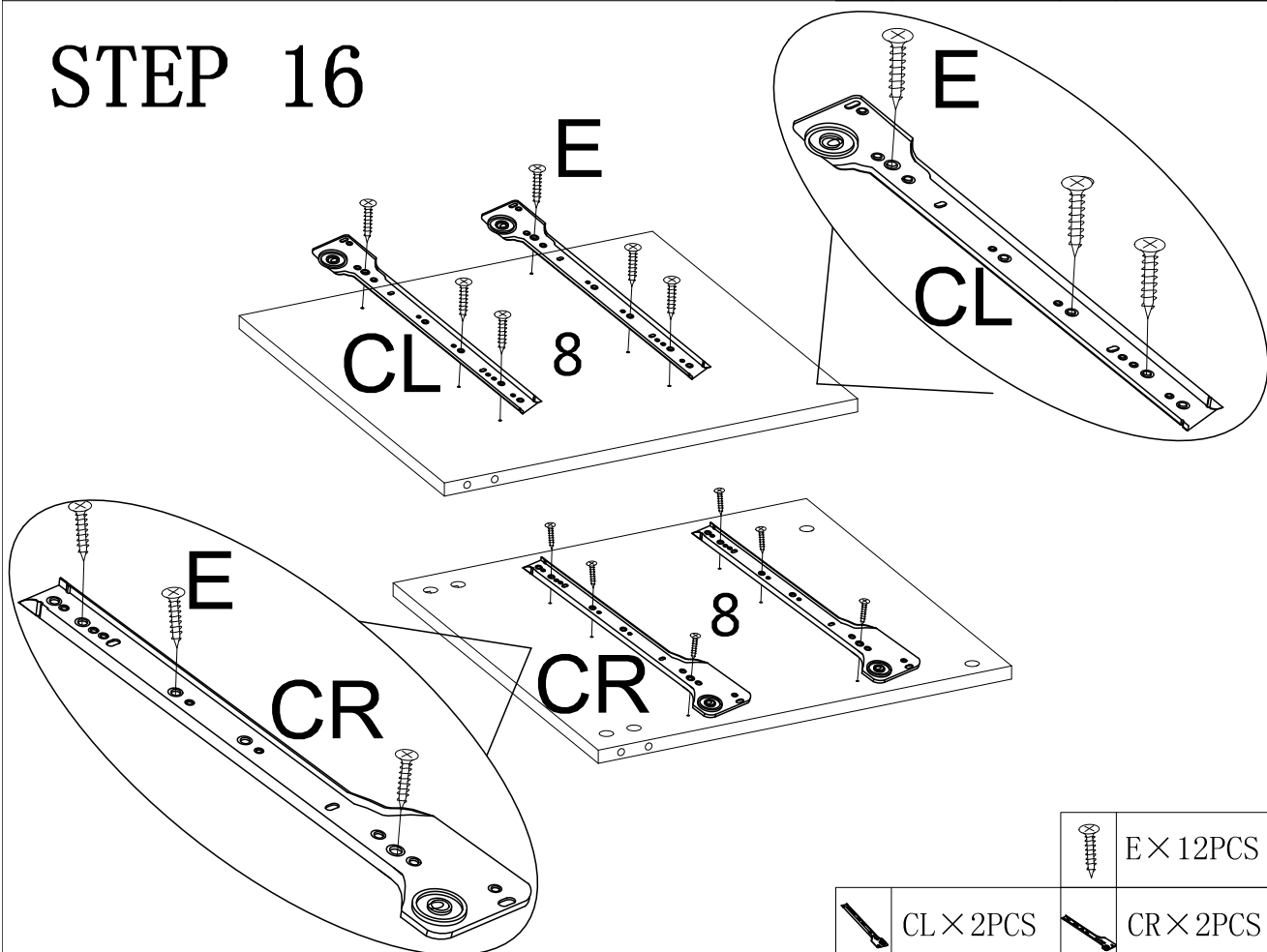
	A1 × 4PCS
	E × 6PCS
	CL × 2PCS




STEP 15



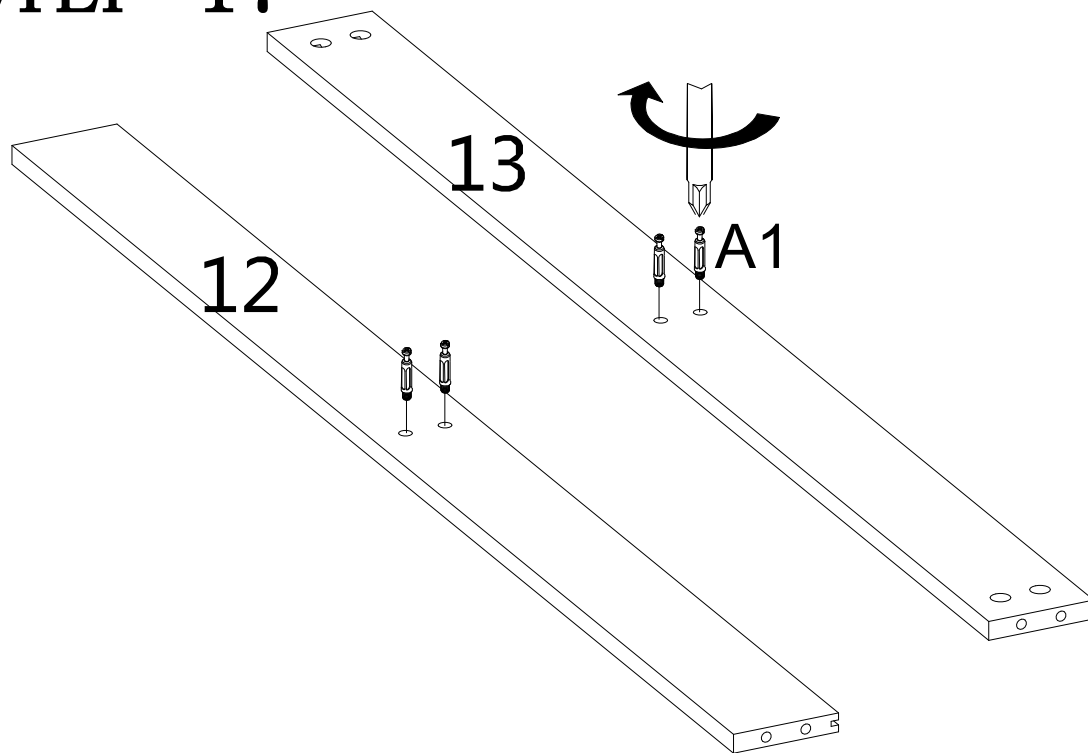
	A1 × 4PCS
	E × 6PCS
	CR × 2PCS


STEP 16



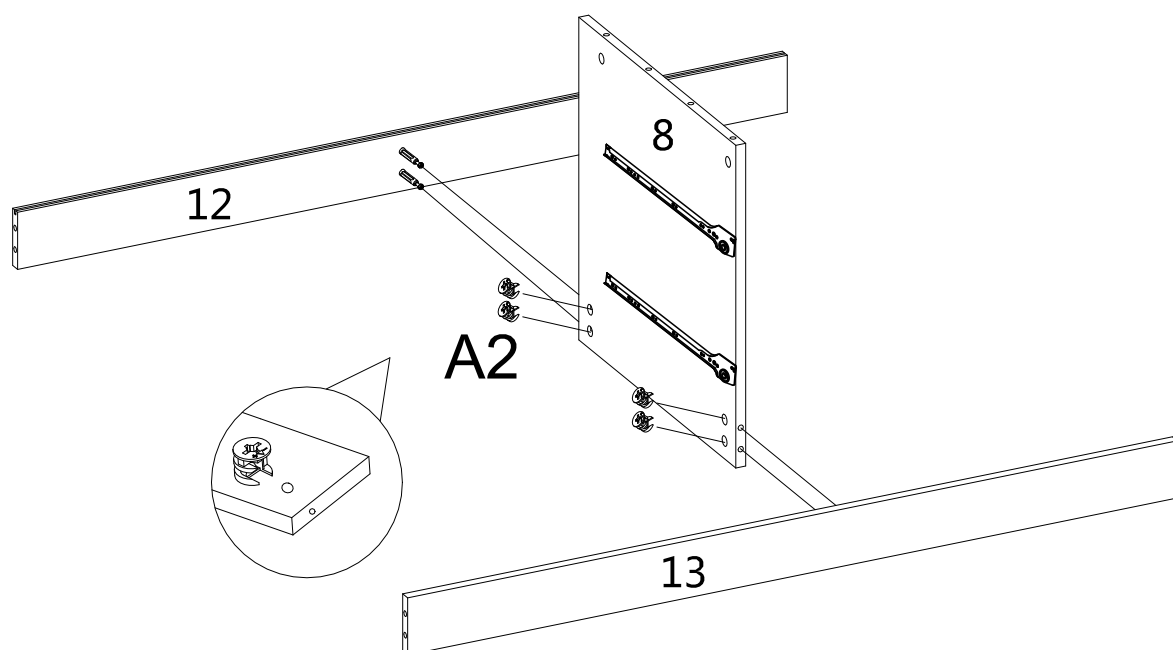
	E × 12PCS
	CL × 2PCS
	CR × 2PCS


STEP 17



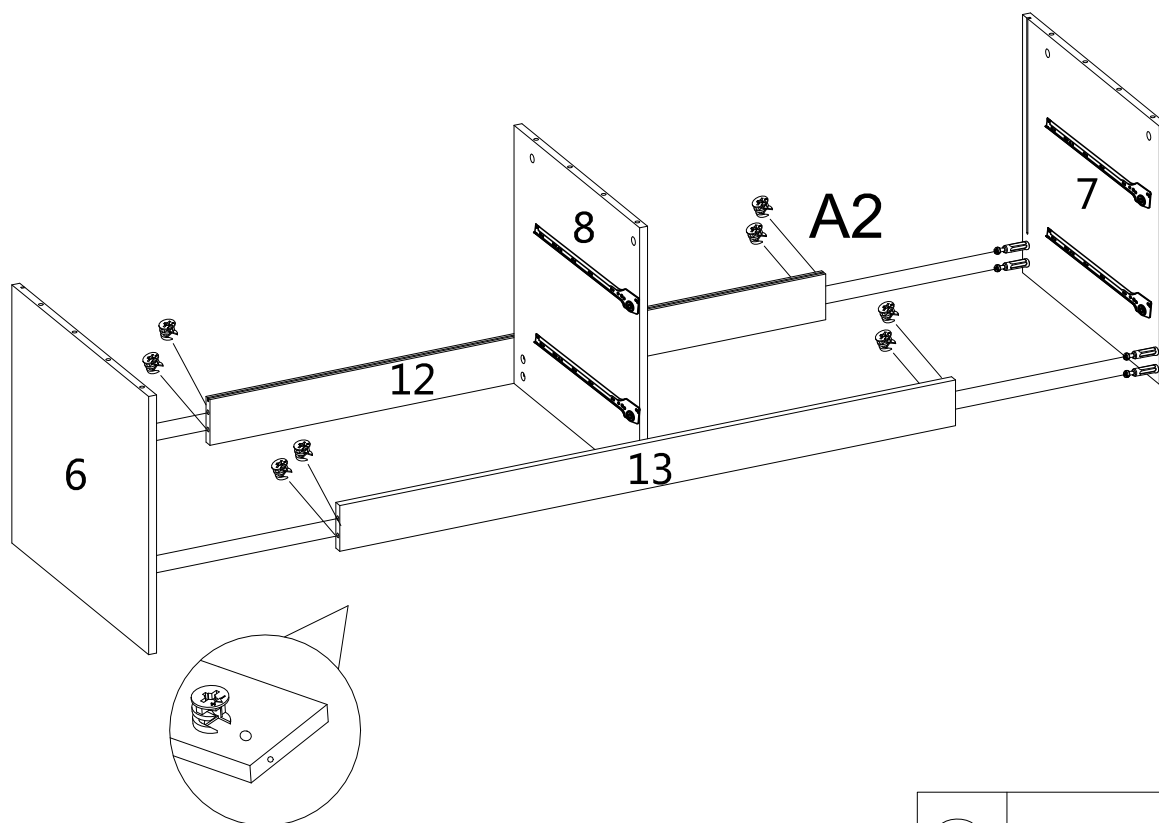
	A1 × 4PCS
---	-----------


STEP 18



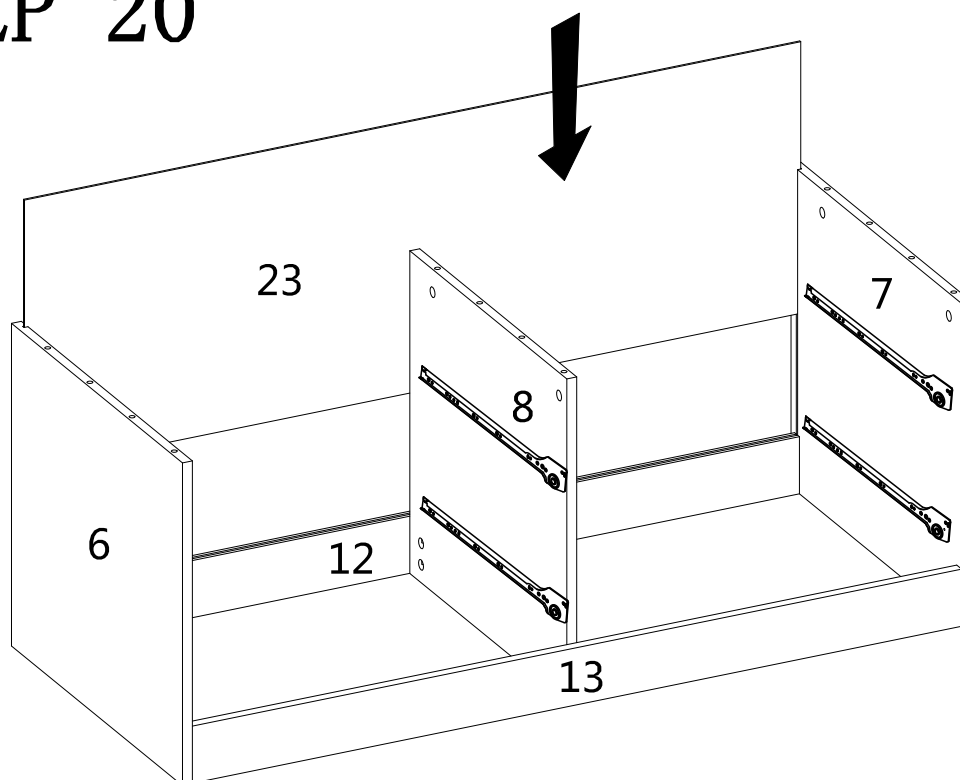
	A2 × 4PCS
---	-----------

STEP 19

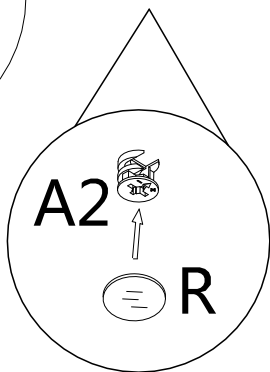
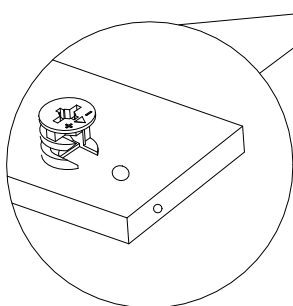
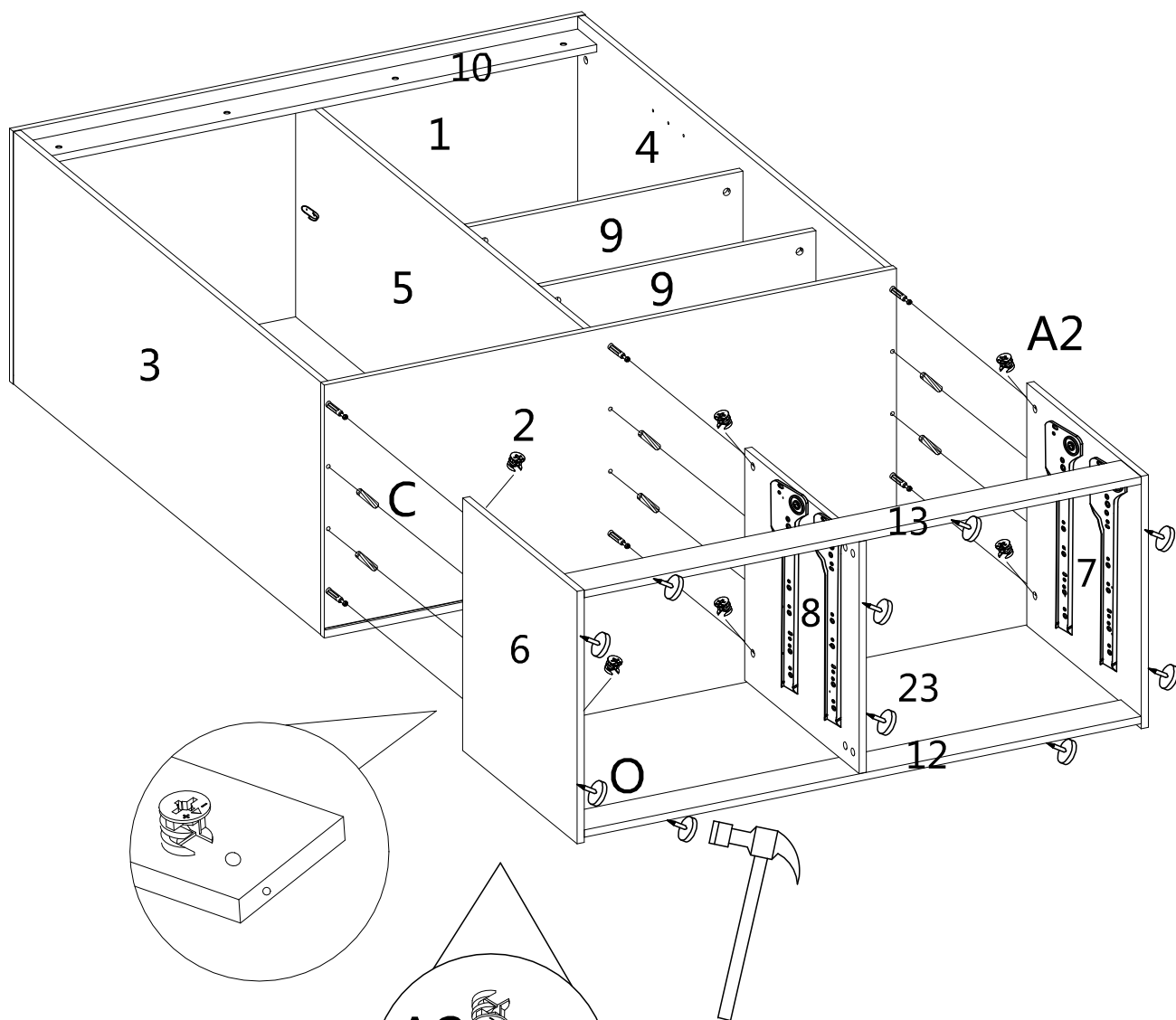






 A2 × 8PCS

STEP 20

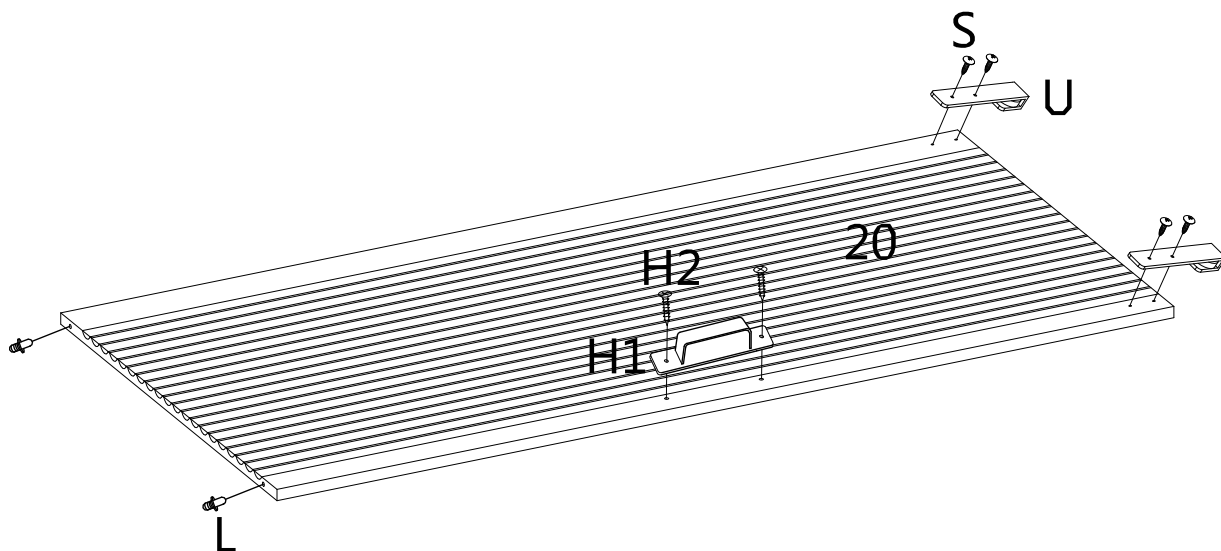


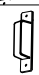




STEP 21



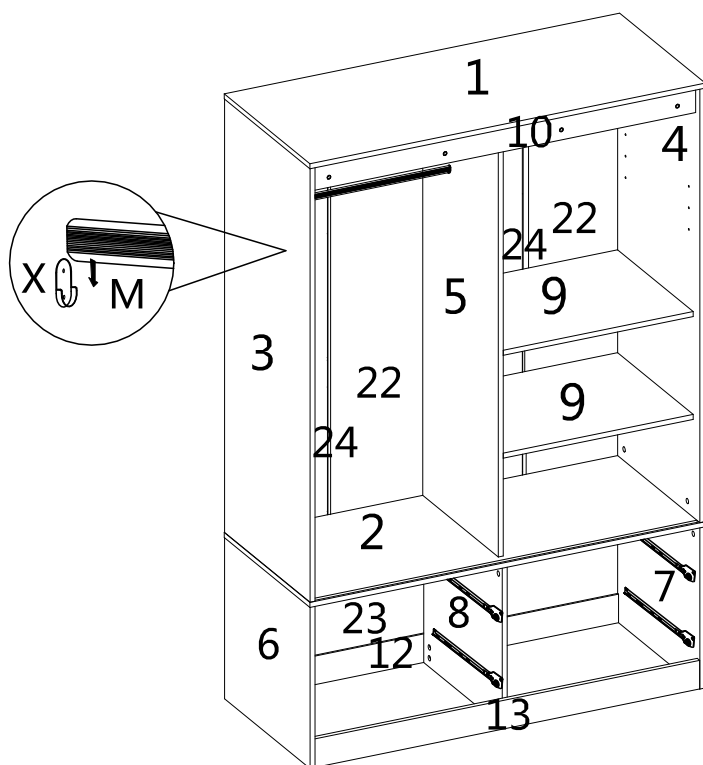
	A2 × 6PCS		R × 60PCS
	C × 6PCS		O × 10PCS


STEP 22



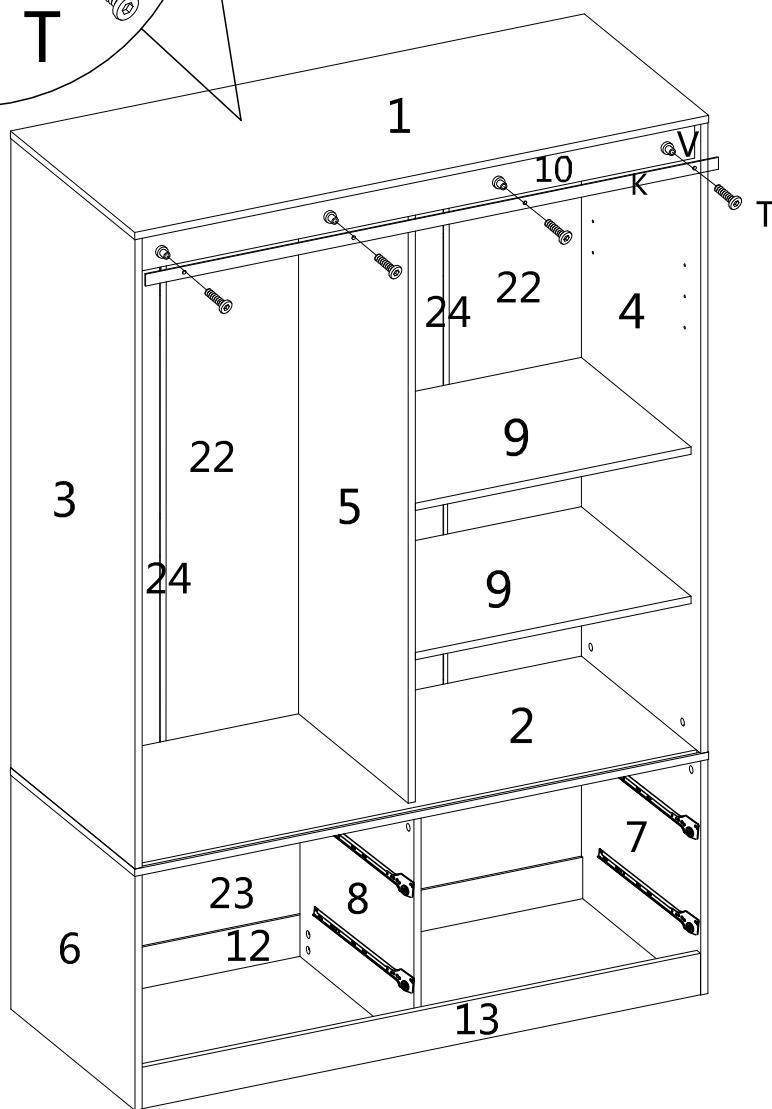
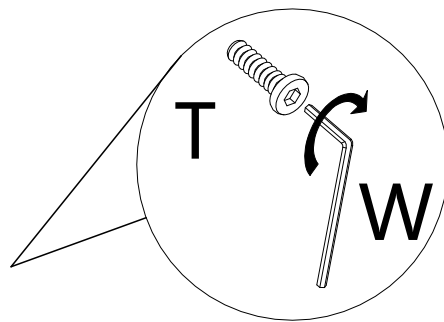
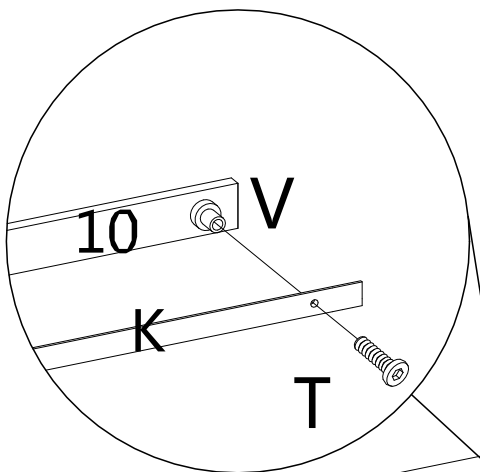
	H1 × 1PC		L × 2PCS
	H2 × 2PCS		S × 4PCS
	U × 2PCS		





STEP 23



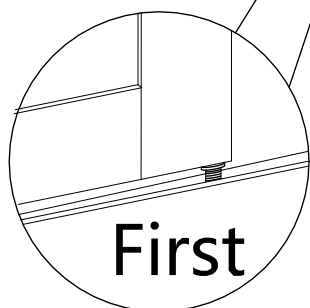
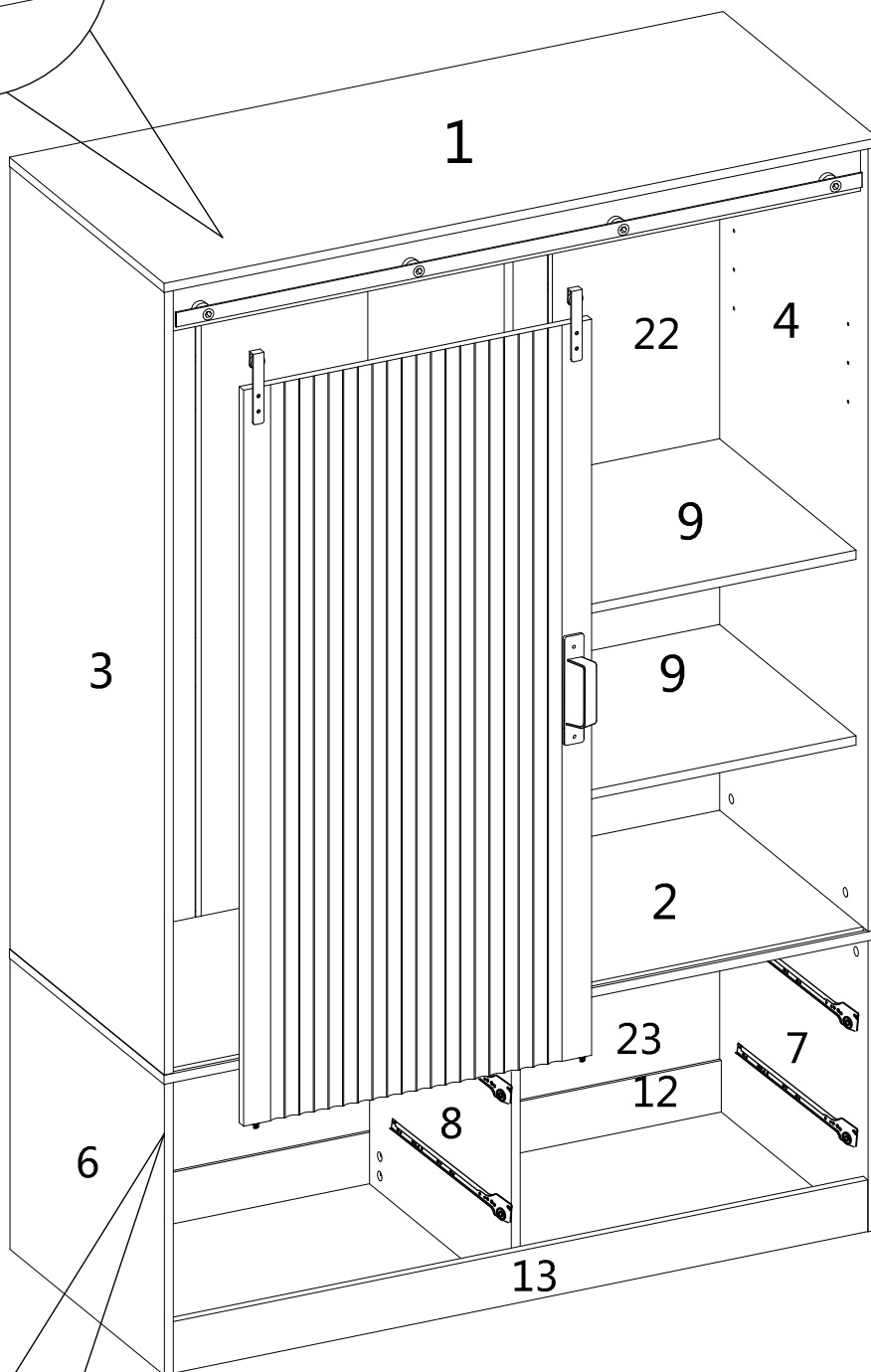
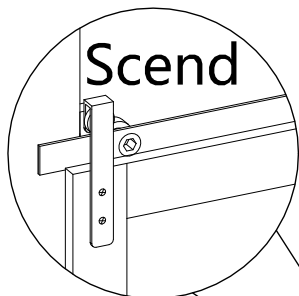
	M × 1PC
---	---------

STEP 24



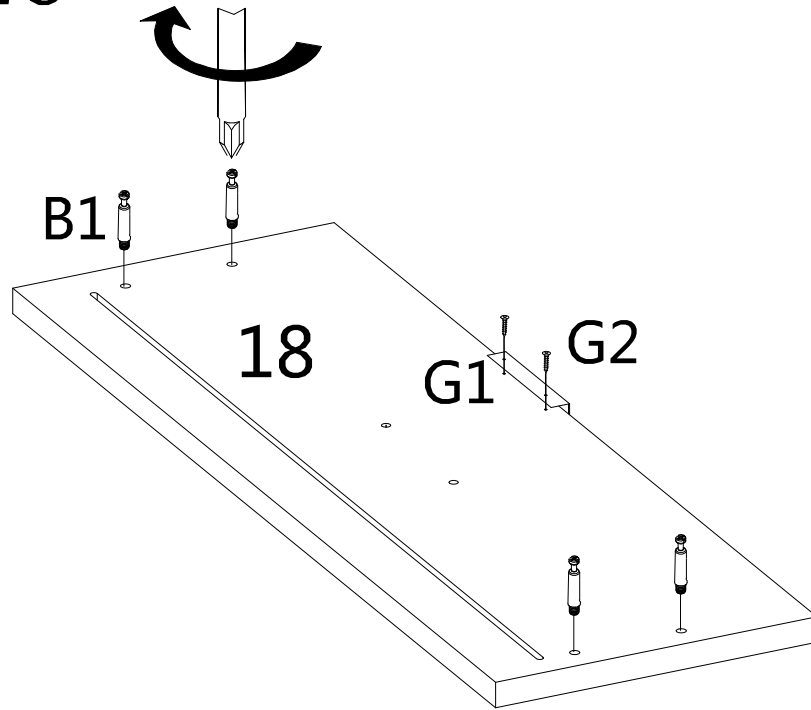
	K × 1PC		V × 4PCS
	W × 1PC		T × 4PCS


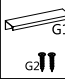
STEP 25



STEP 26

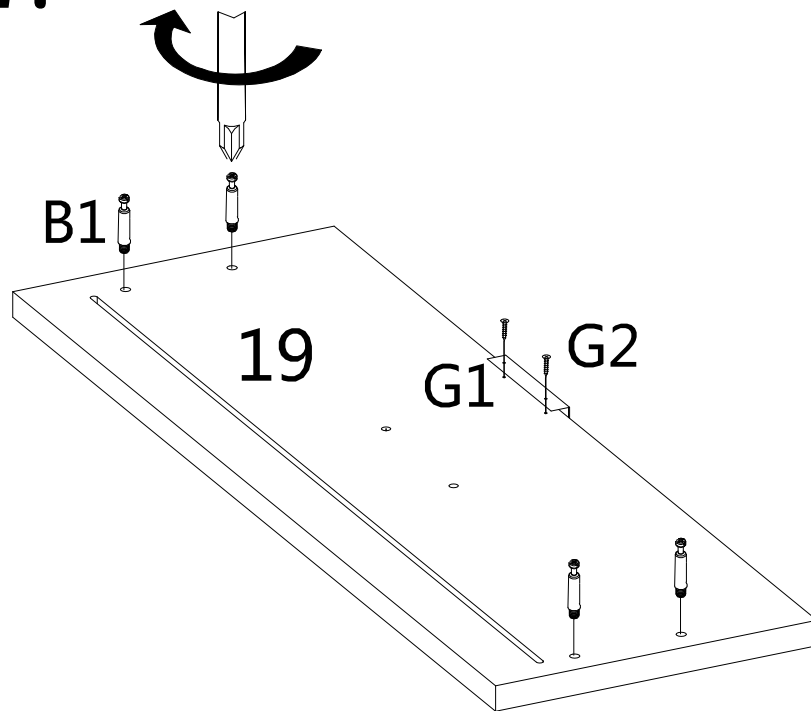
X2





	B1 × 4PCS
	G × 1PC

STEP 27

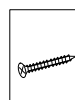
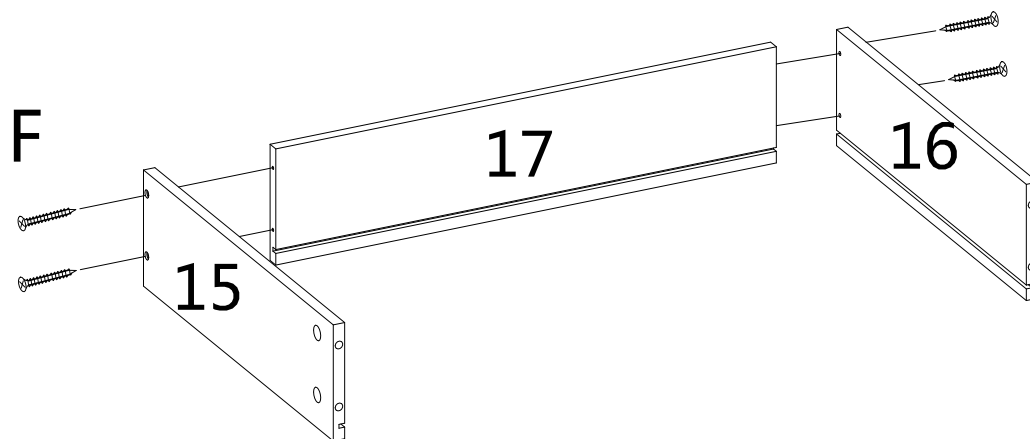
X2



	B1 × 4PCS
	G × 1PC

STEP 28

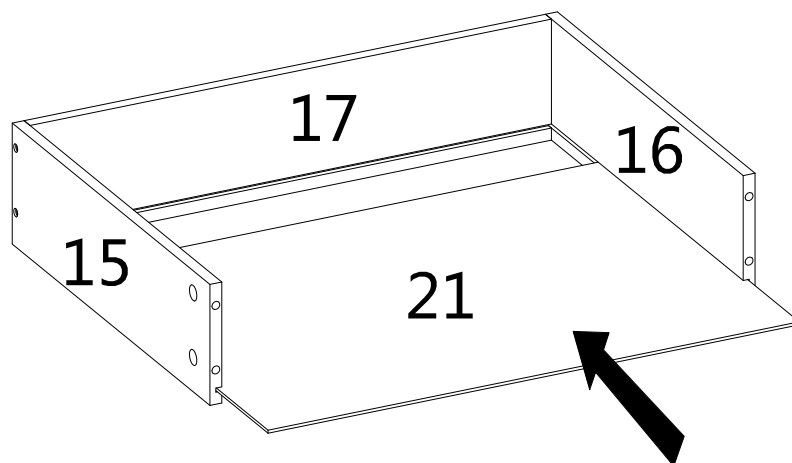
X4



F × 4PCS

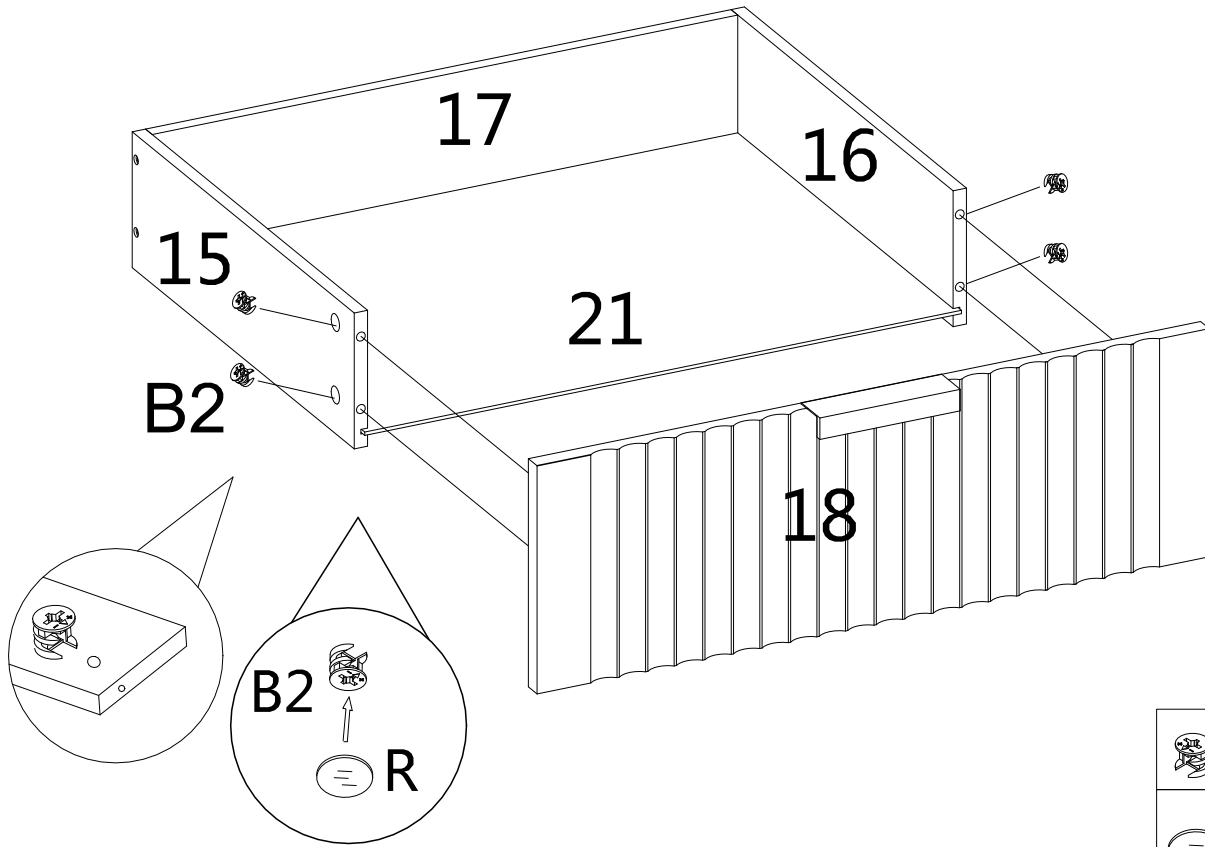
STEP 29



X4



STEP 30

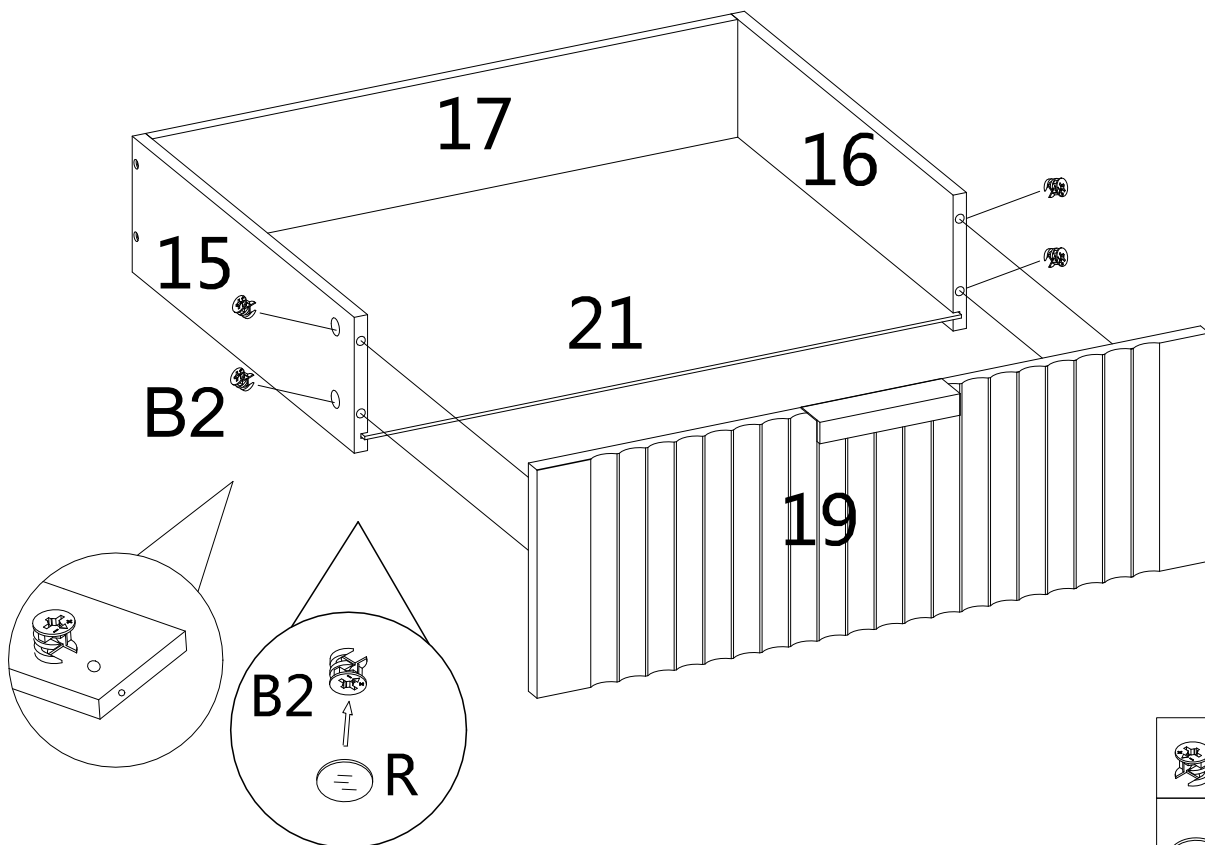
X2





	B2 × 4PCS
	R × 4PCS

STEP 31

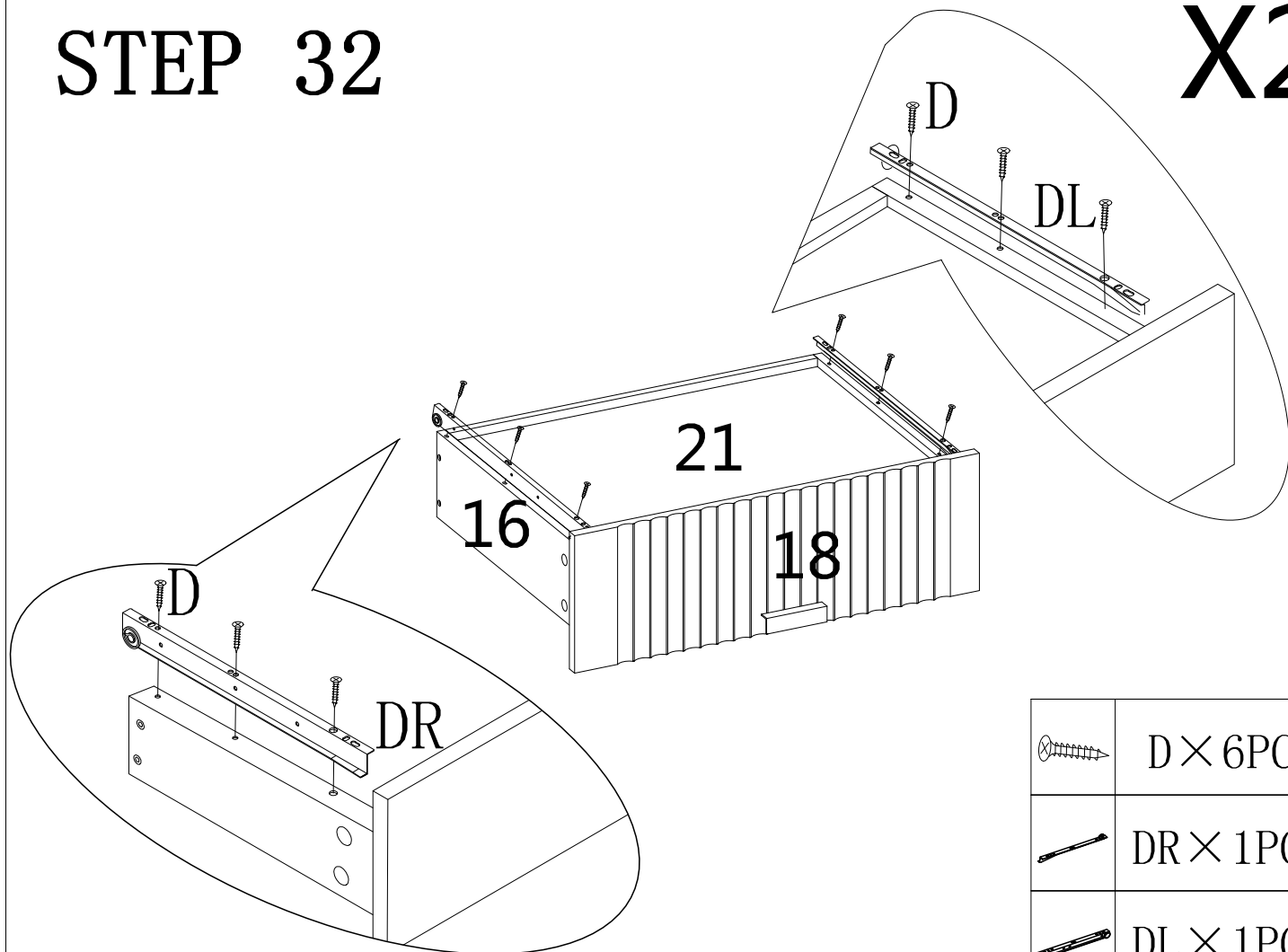
X2

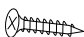




	B2 × 4PCS
	R × 4PCS

STEP 32

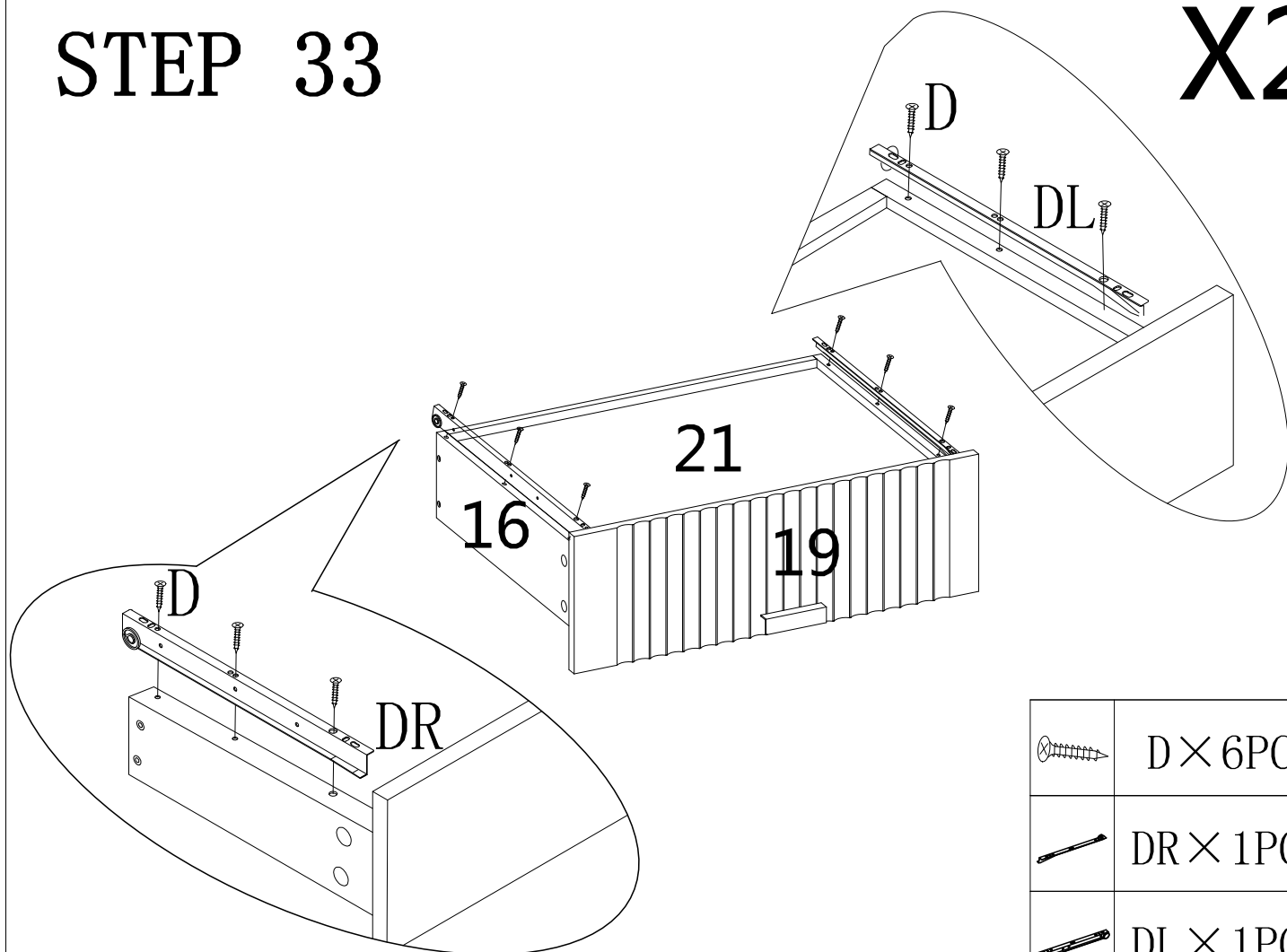
X2

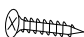




	D × 6PCS
	DR × 1PC
	DL × 1PC

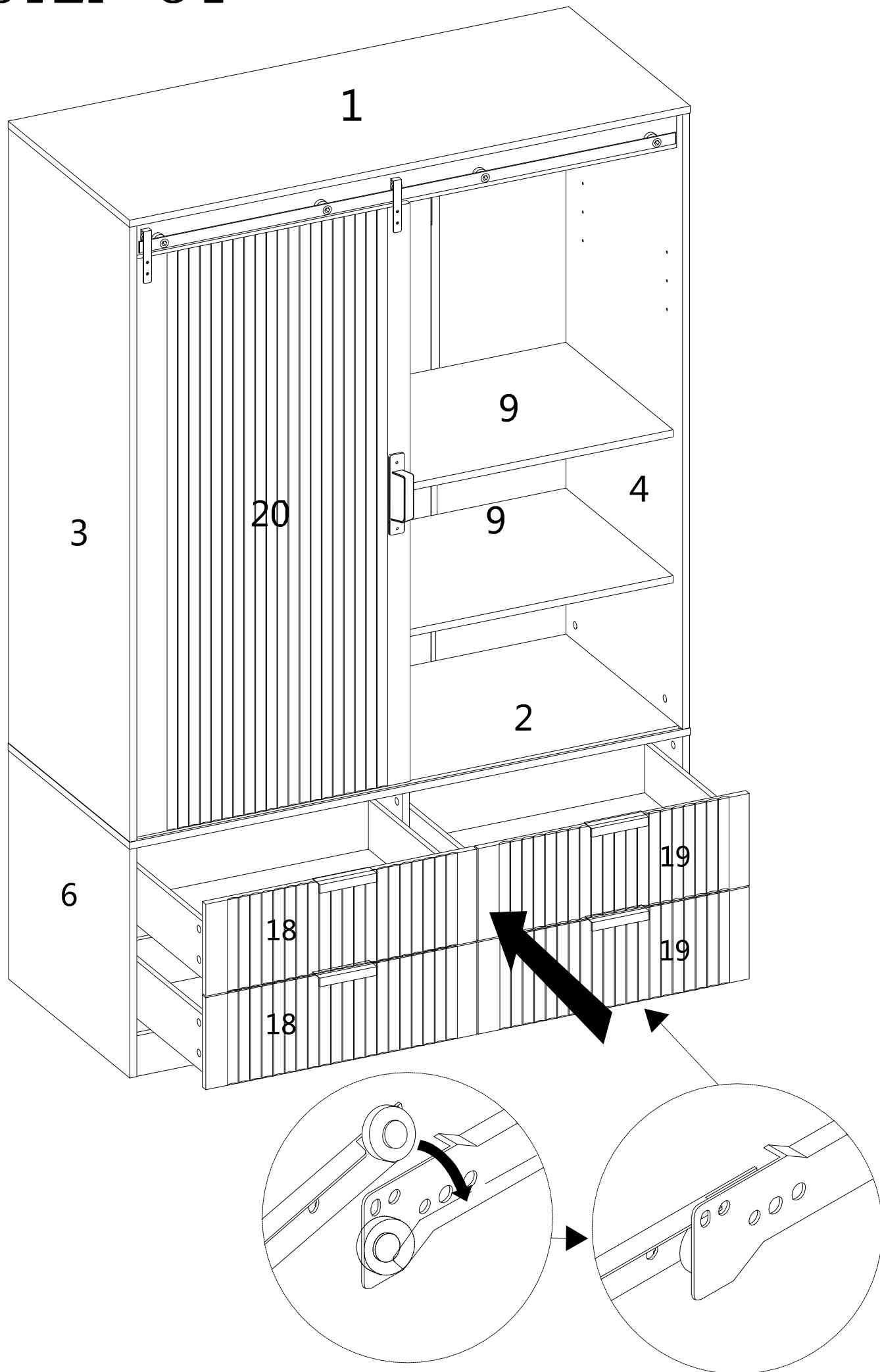
STEP 33

X2

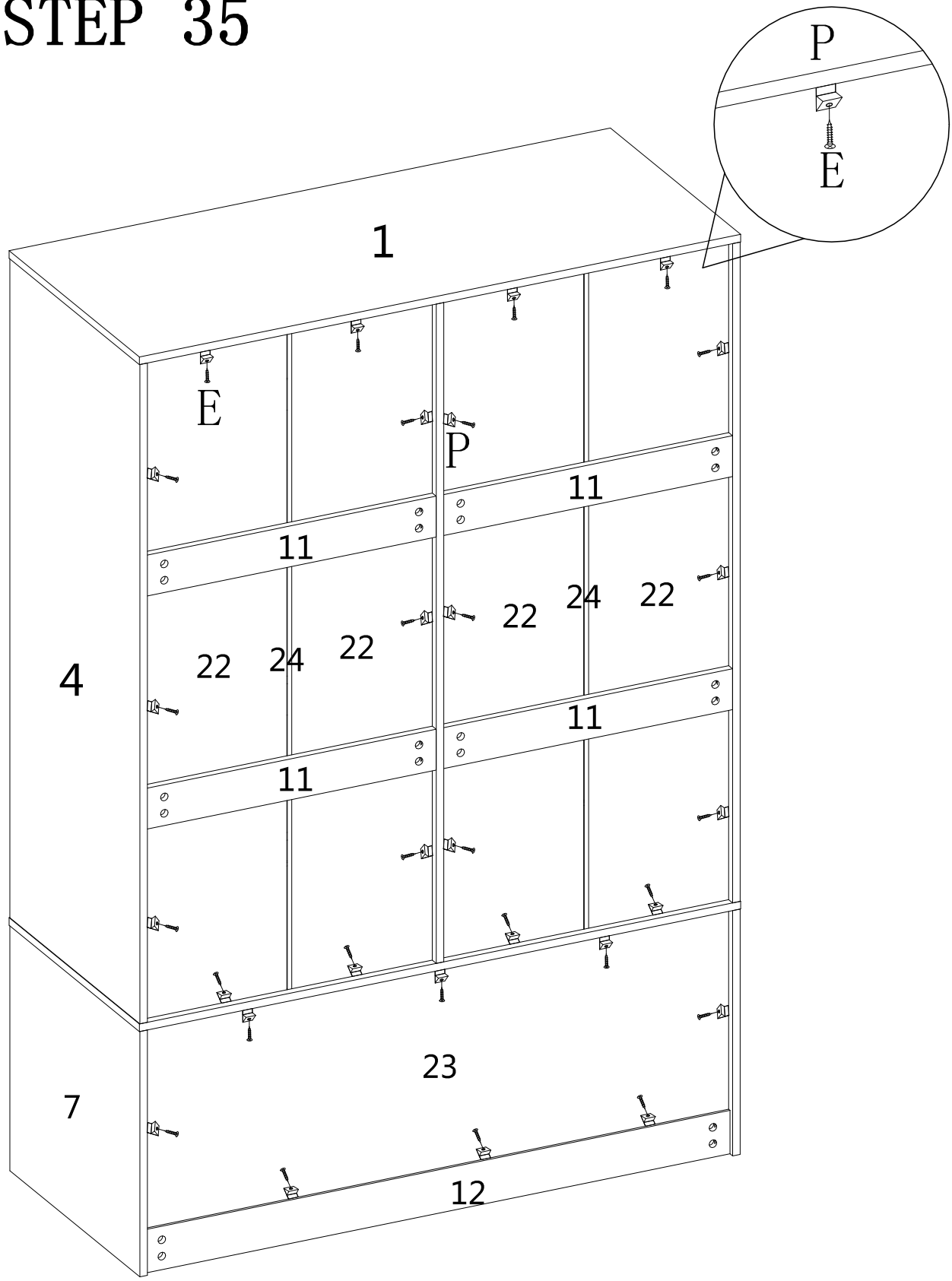




	D × 6PCS
	DR × 1PC
	DL × 1PC

STEP 34

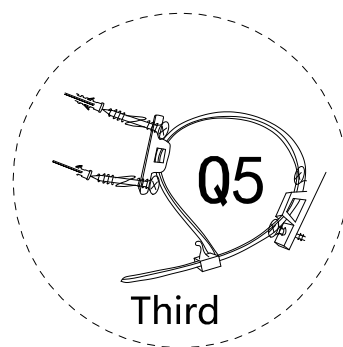
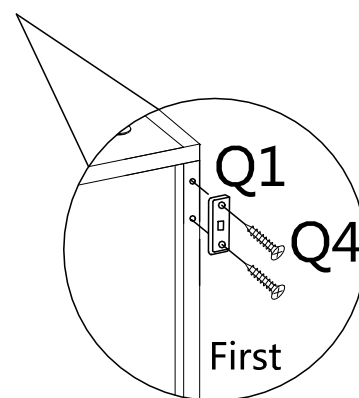
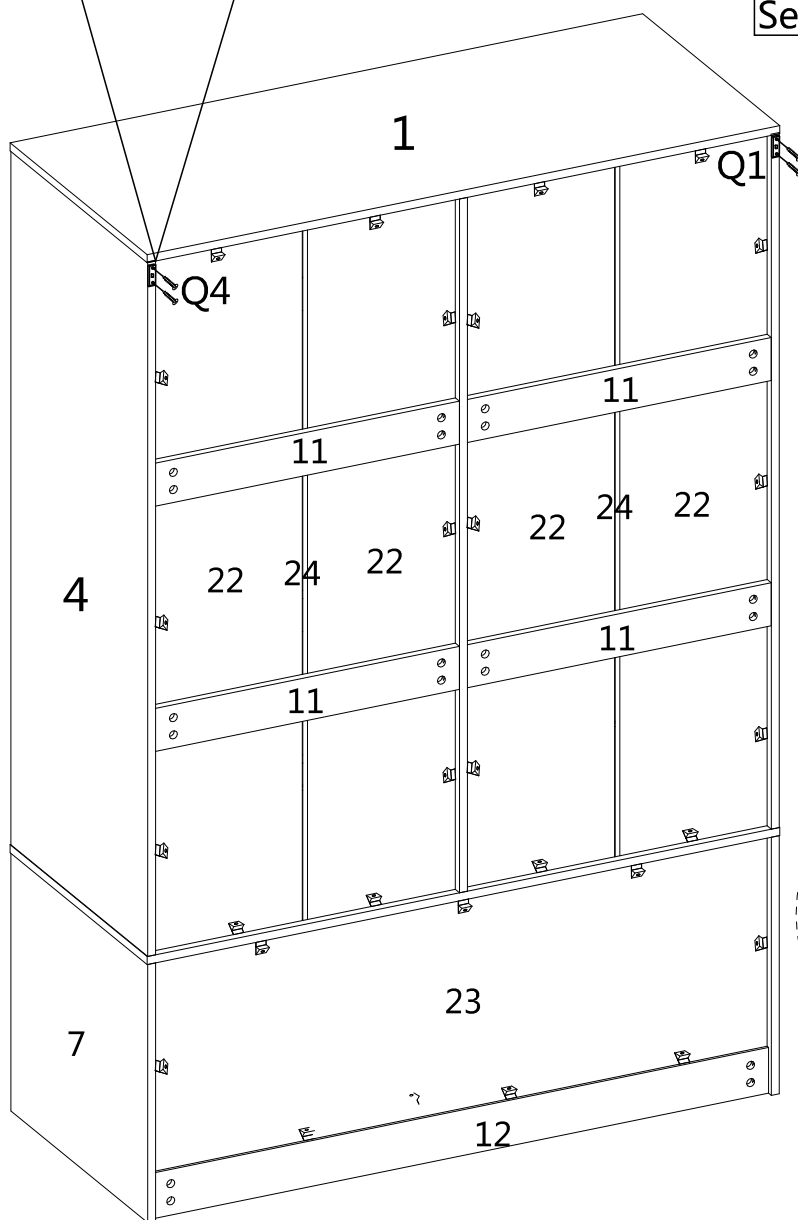
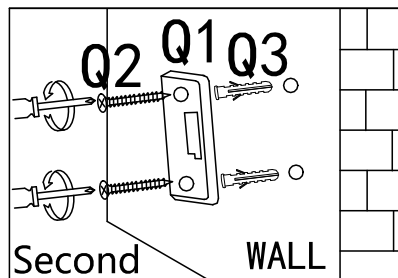
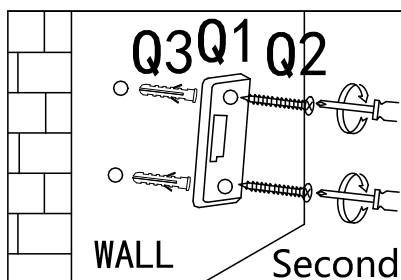


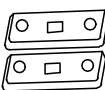


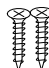
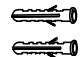
STEP 35



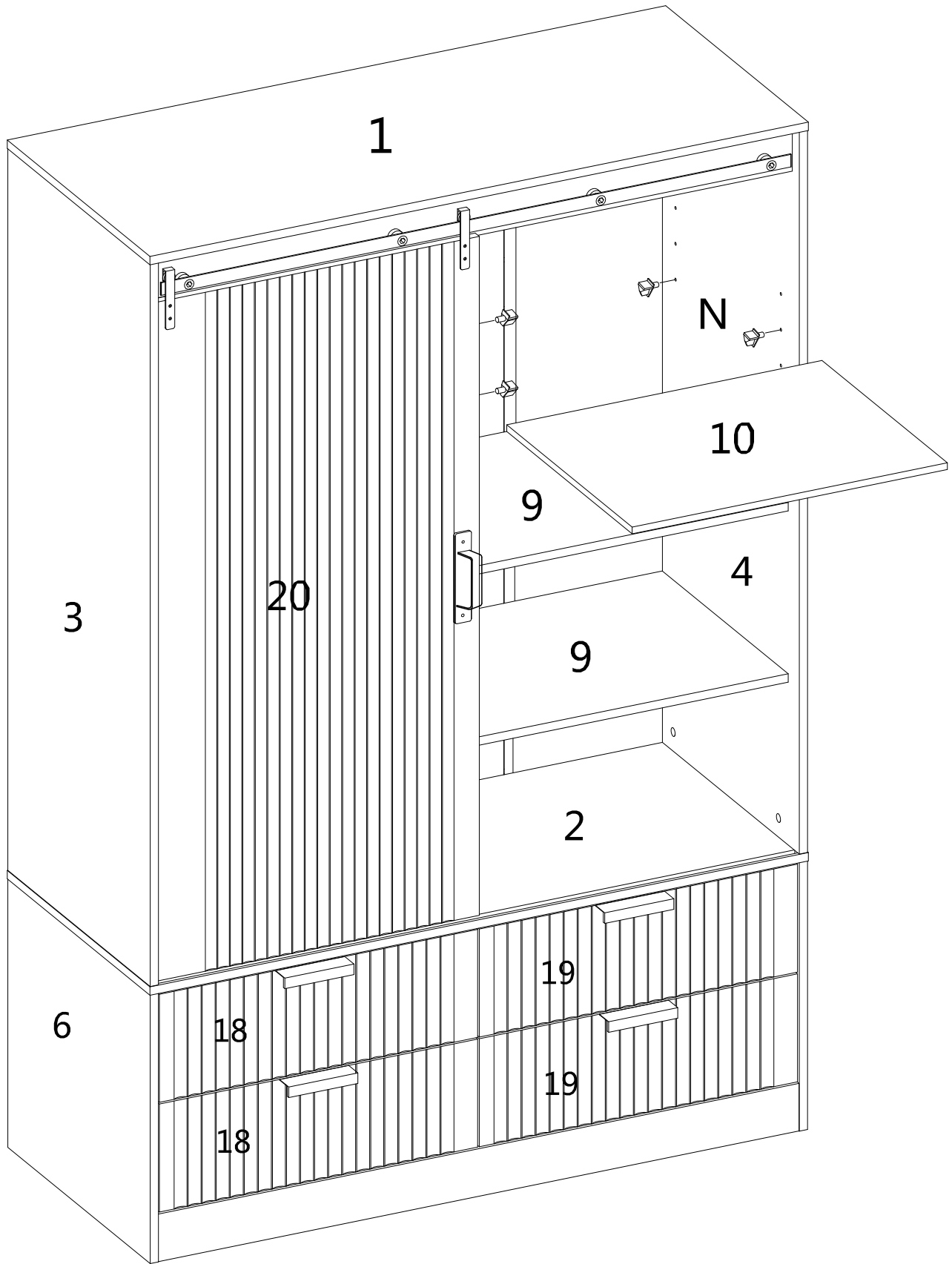
	E × 28PCS
	P × 28PCS

STEP 36



 Q1	 Q2	Q × 2PCS
 Q5		
 Q4	 Q3	

STEP 37



N × 4PCS