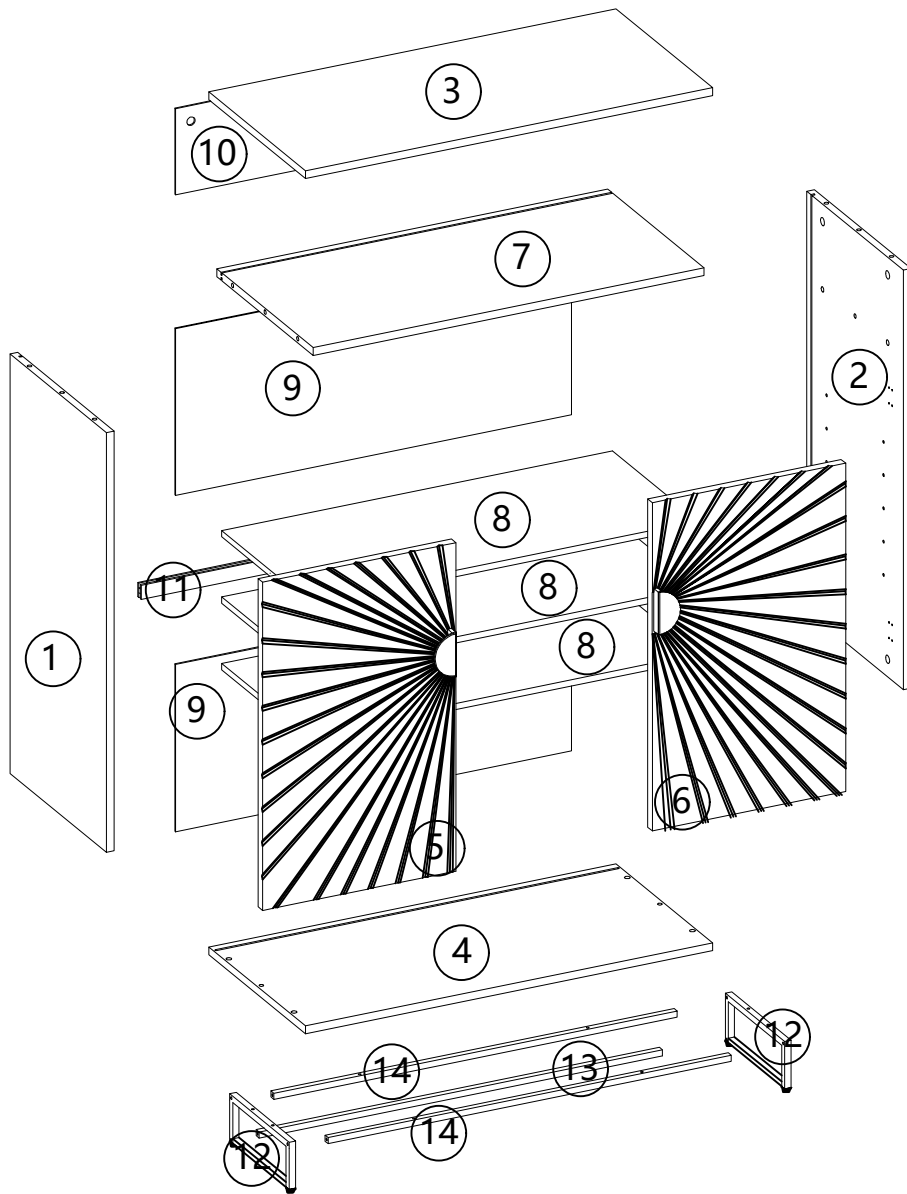

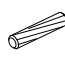






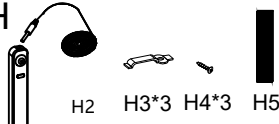



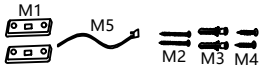
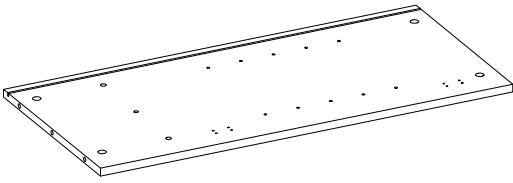


DS-SC002B



A  A1 A2 12PCS 12PCS	B  ø8*30mm 6PCS	C  ø3.5*14mm 36PCS	D  12PCS	E  ø4*22mm 4PCS	F  4PCS	G  2PCS	I  12PCS
H  H1 H2 H3*3 H4*3 H5	J  12PCS	K  M6*35mm 6PCS	L  M6*30mm 8PCS	M  M1 M2 M3 M4 M5 2PCS			

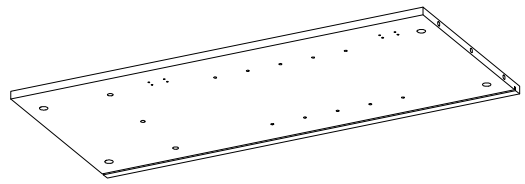
1



808*379*15mm

1PC

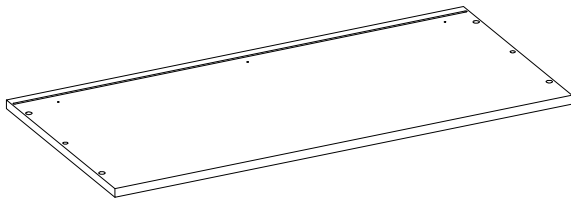
2



808*379*15mm

1PC

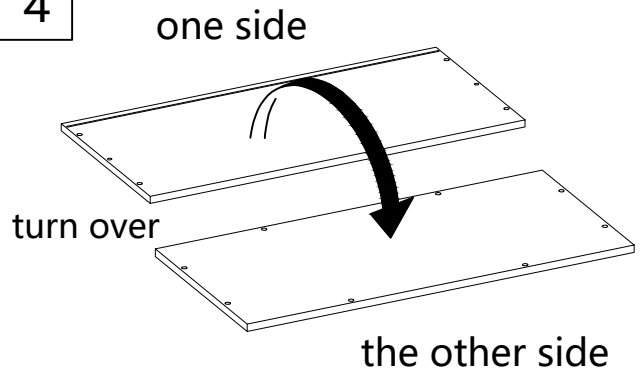
3



800*380*15mm

1PC

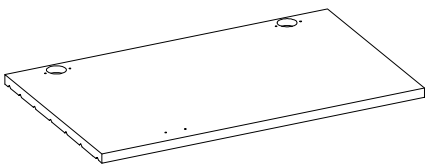
4



800*380*15mm

1PC

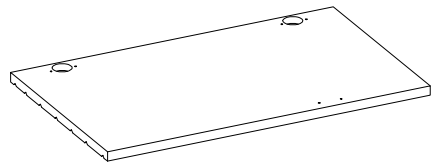
5



631*380*18mm

1PC

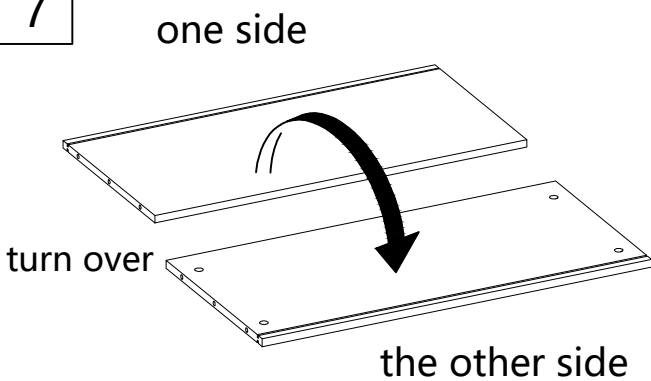
6



631*380*18mm

1PC

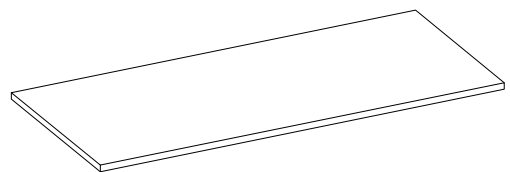
7



768*379*15mm

1PC

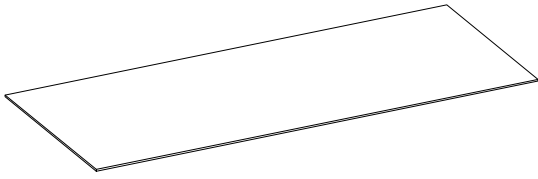
8



766*340*12mm

3PCS

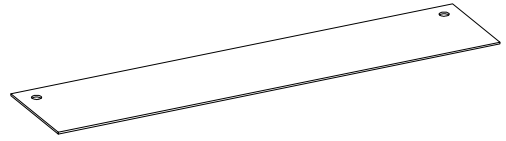
9



778*321.5*3mm

2PCS

10



778*166*3mm

1PC

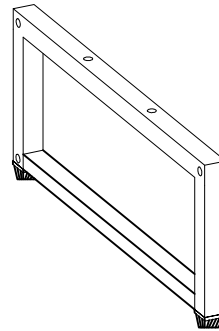
11



L=766mm

1PC

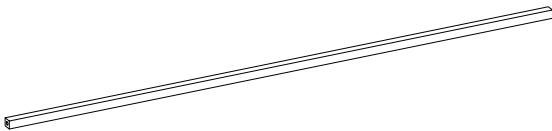
12



380*193mm

2PCS

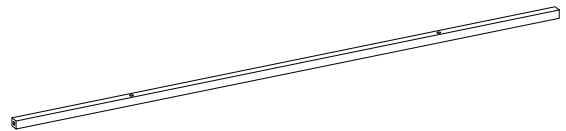
13



L=760mm

1PC

14



L=760mm

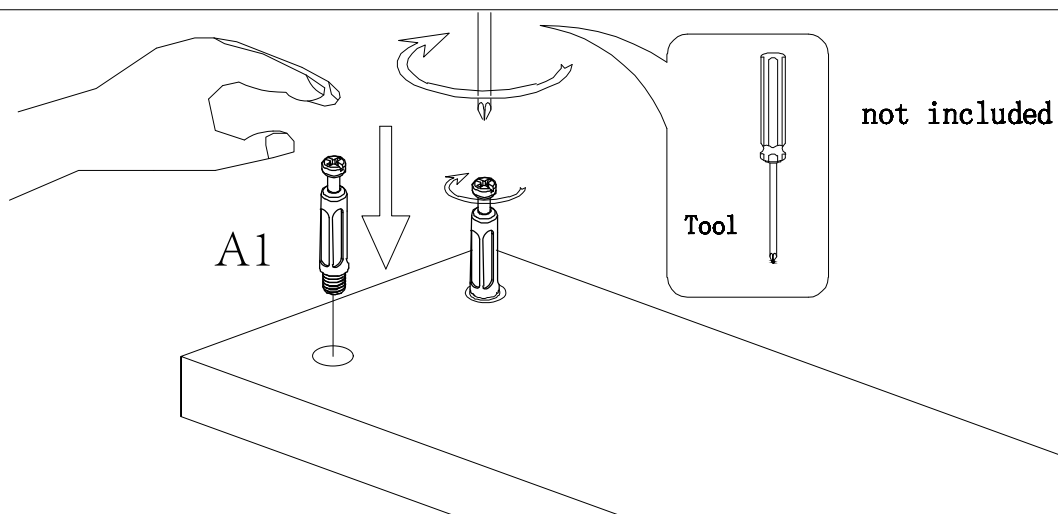
2PCS

Hardware installation demonstration

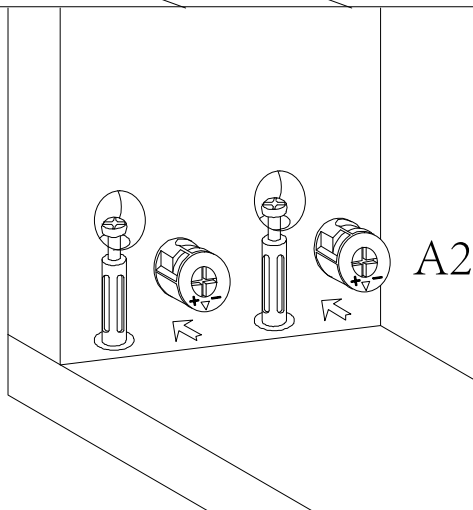


NOTE: Please make sure "A1" hardware tightened and can't be pulled out!

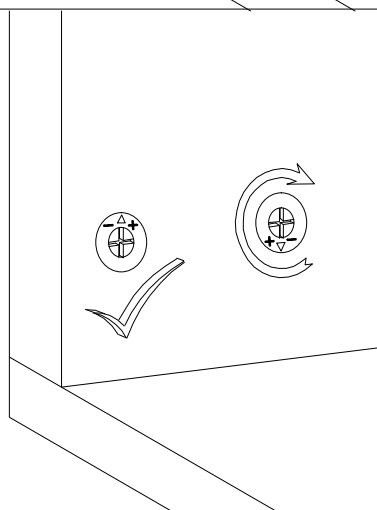
I



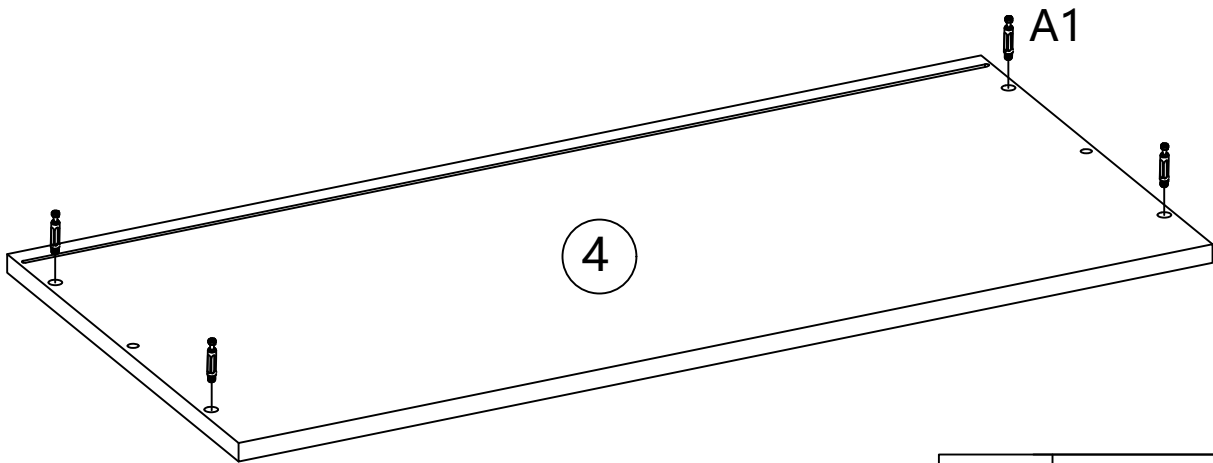
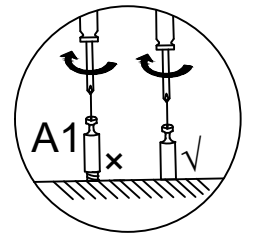
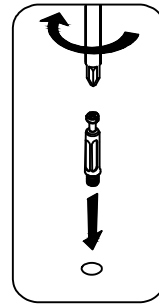
II



III

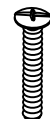
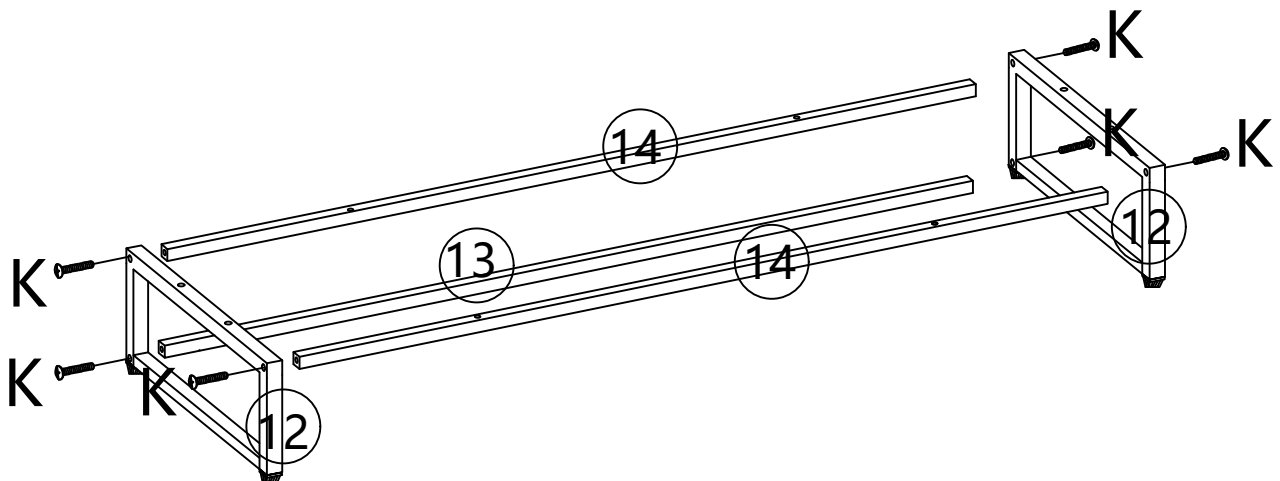


STEP 1



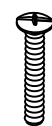
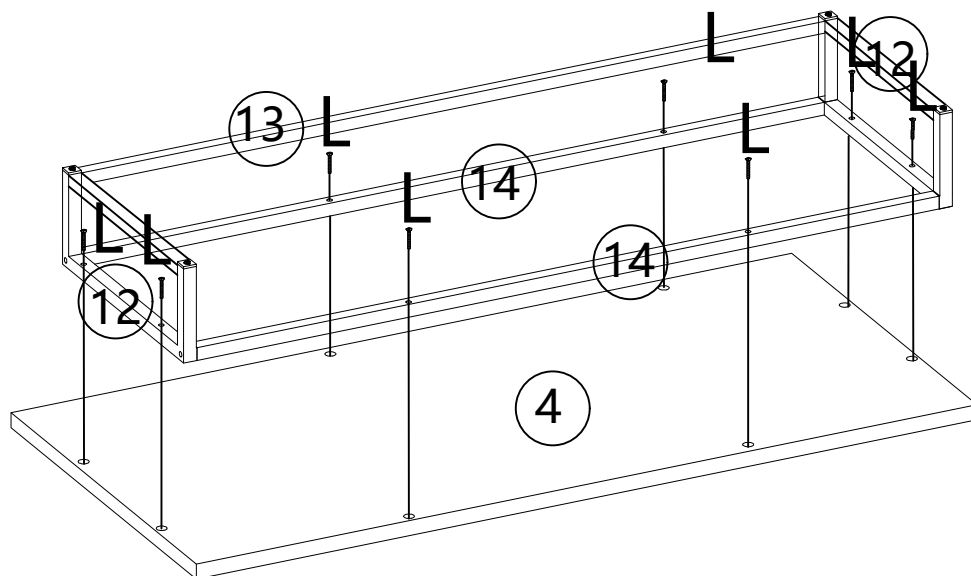
A1 × 4PCS

STEP 2



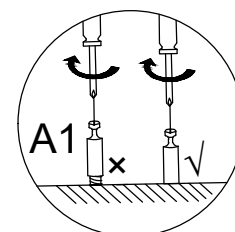
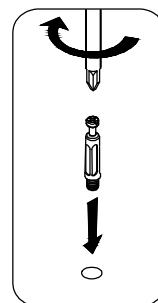
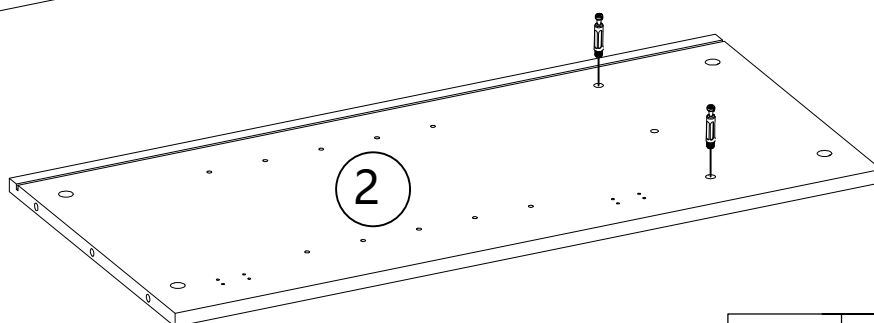
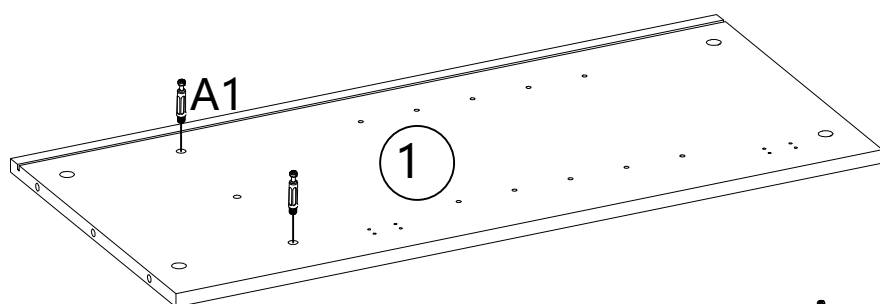
K × 6PCS

STEP 3



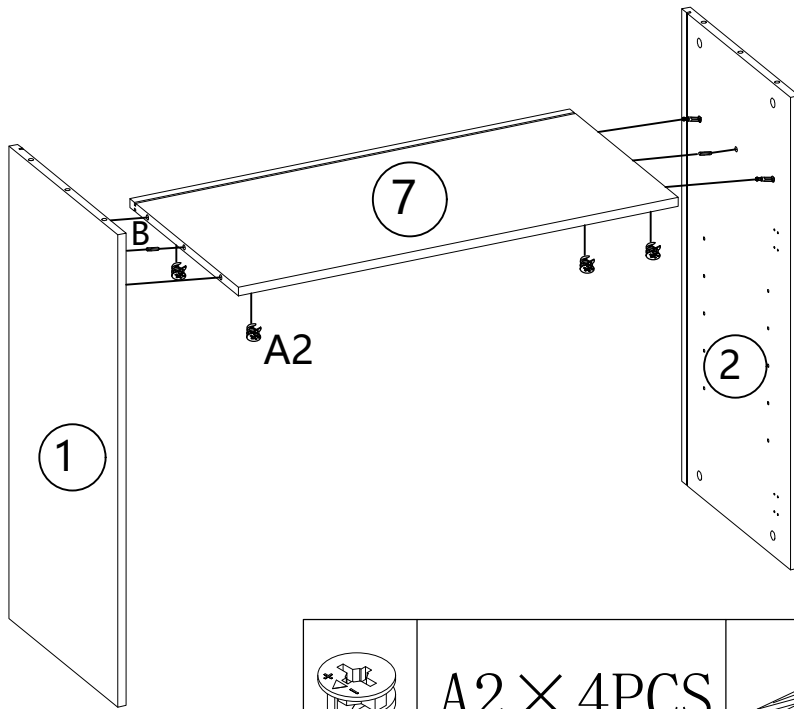
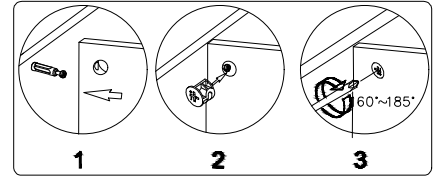
L × 8PCS

STEP 4



A1 × 4PCS

STEP 5

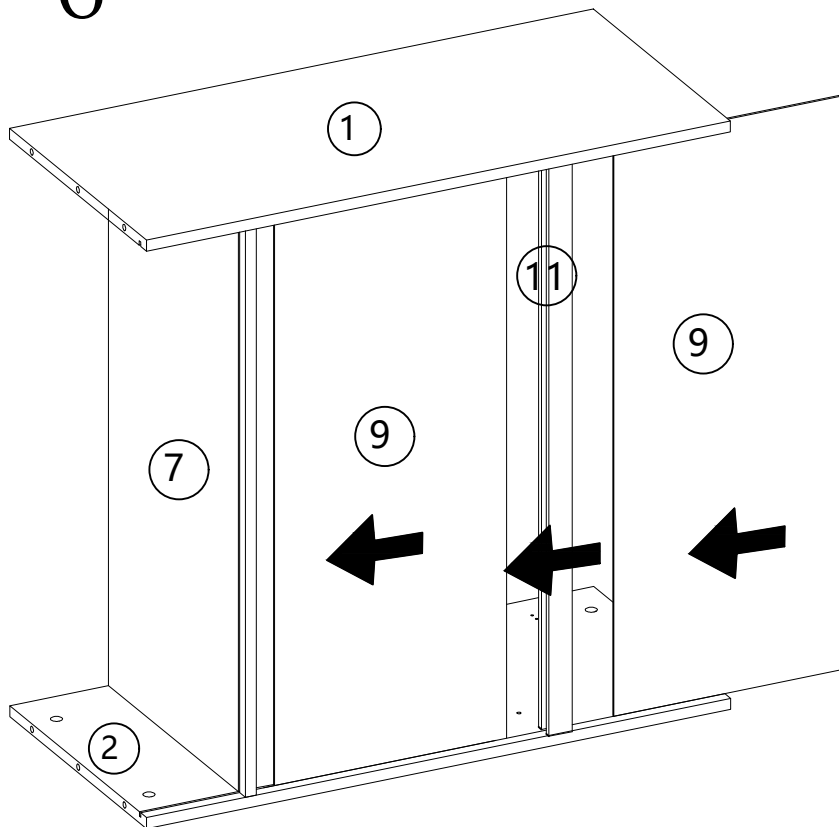


A2 × 4PCS

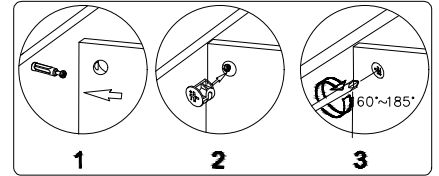
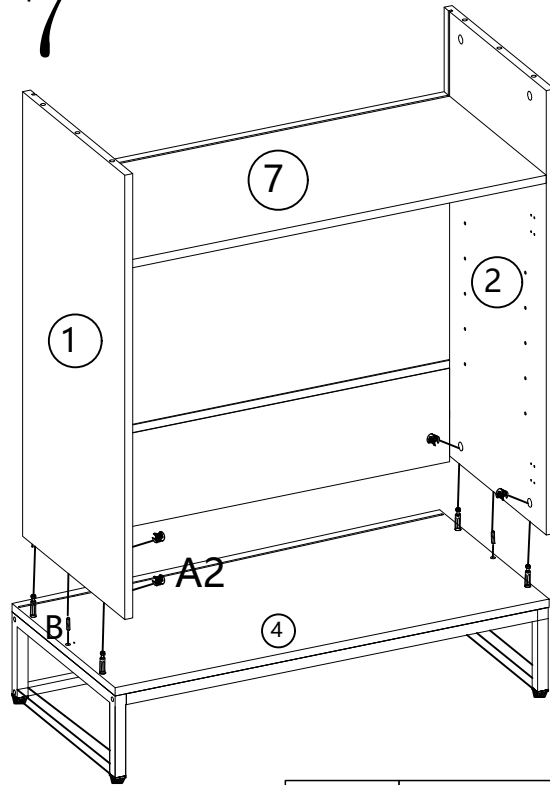


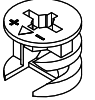

B × 2PCS

STEP 6

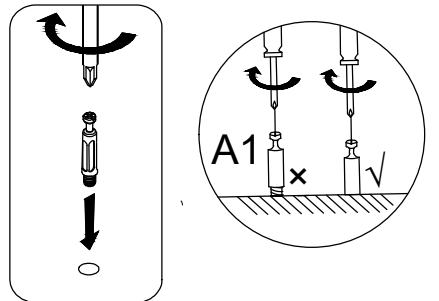
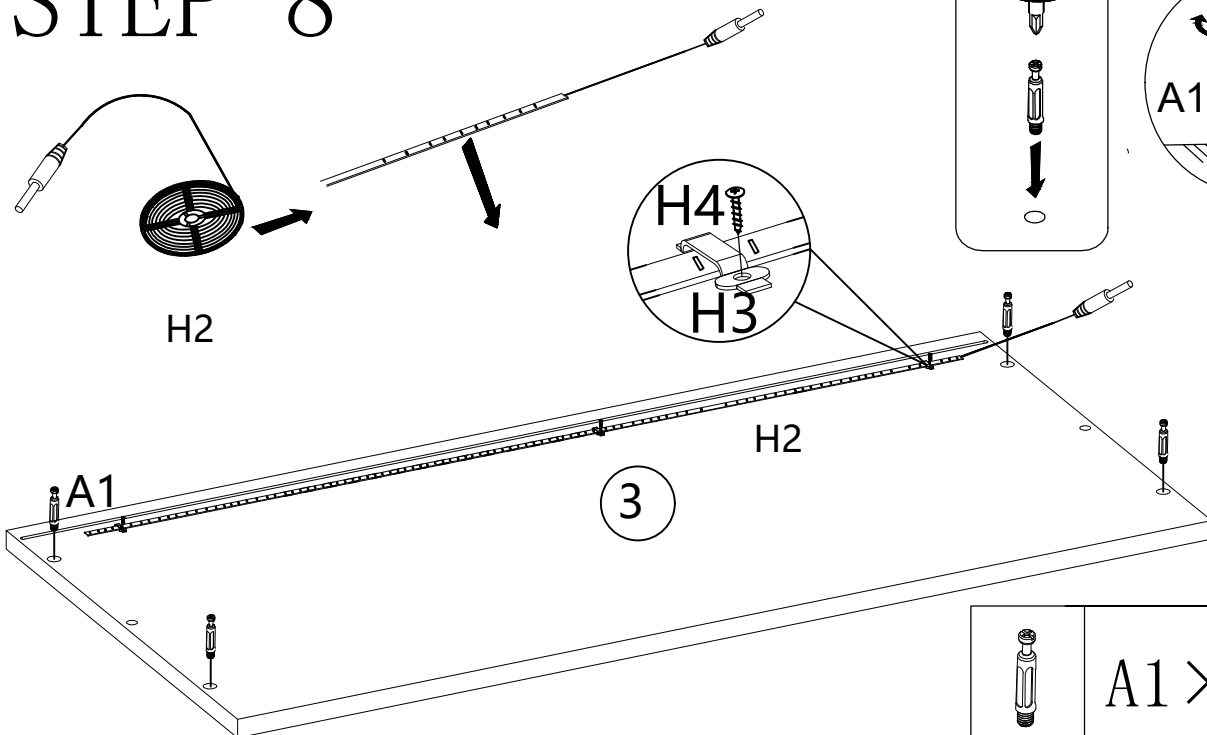



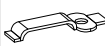


STEP 7



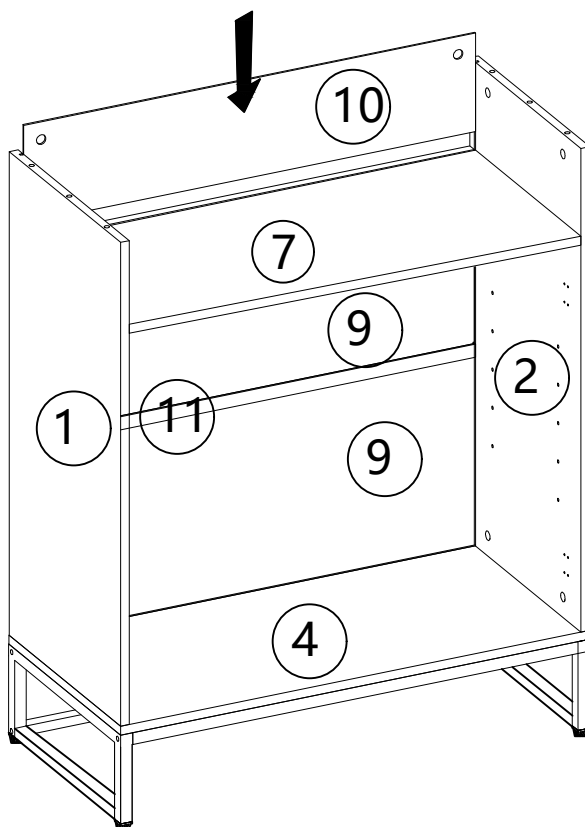
	A2 × 4PCS		B × 2PCS
---	-----------	---	----------

STEP 8

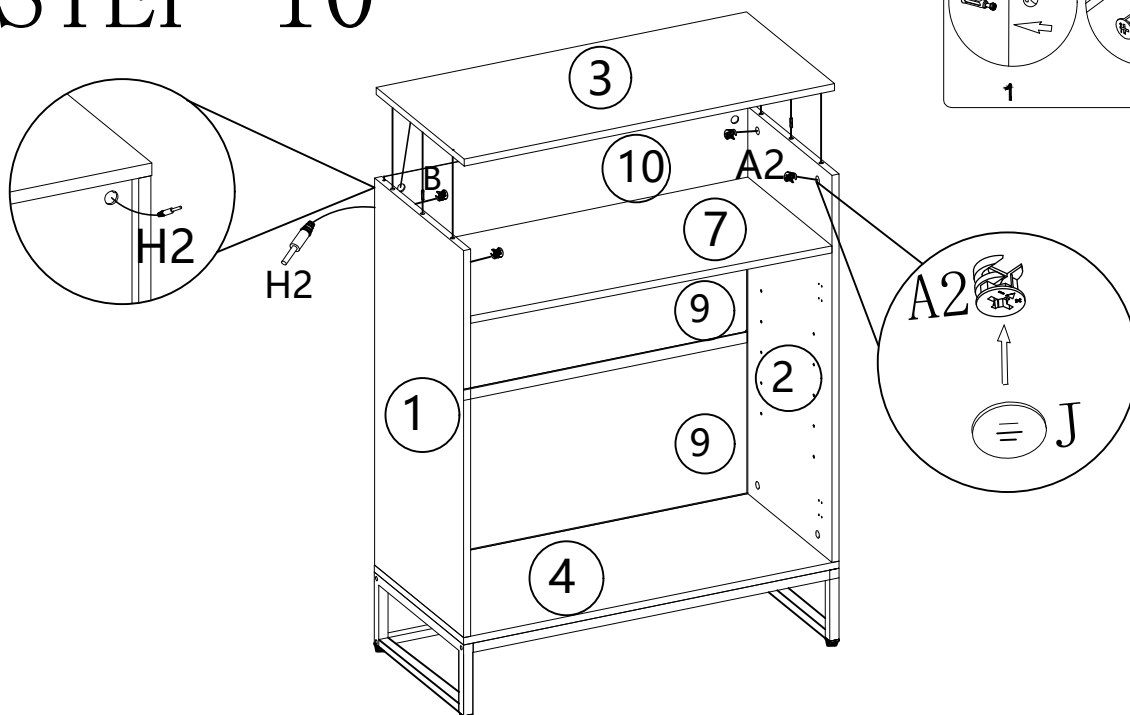


	H2 × 1PC		H3 × 3PCS		A1 × 4PCS
					H4 × 3PCS

STEP 9

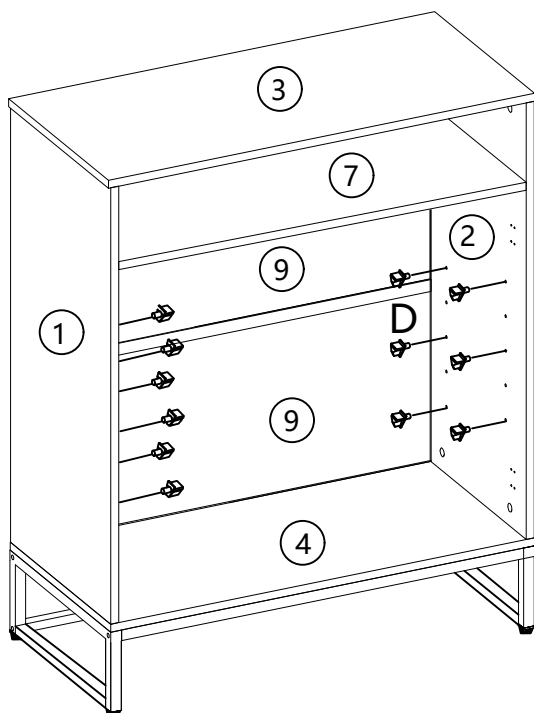


STEP 10



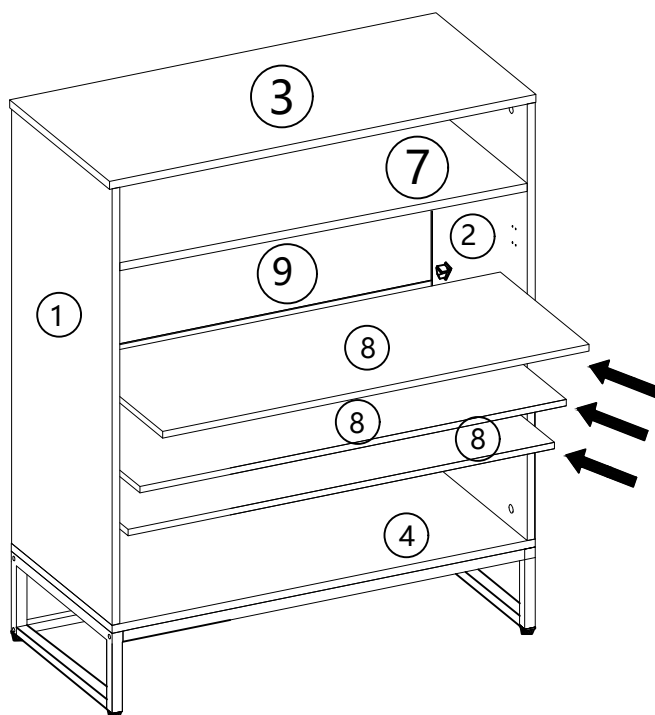
	$J \times 12PCS$		$A2 \times 4PCS$		$B \times 2PCS$
--	------------------	--	------------------	--	-----------------

STEP 11

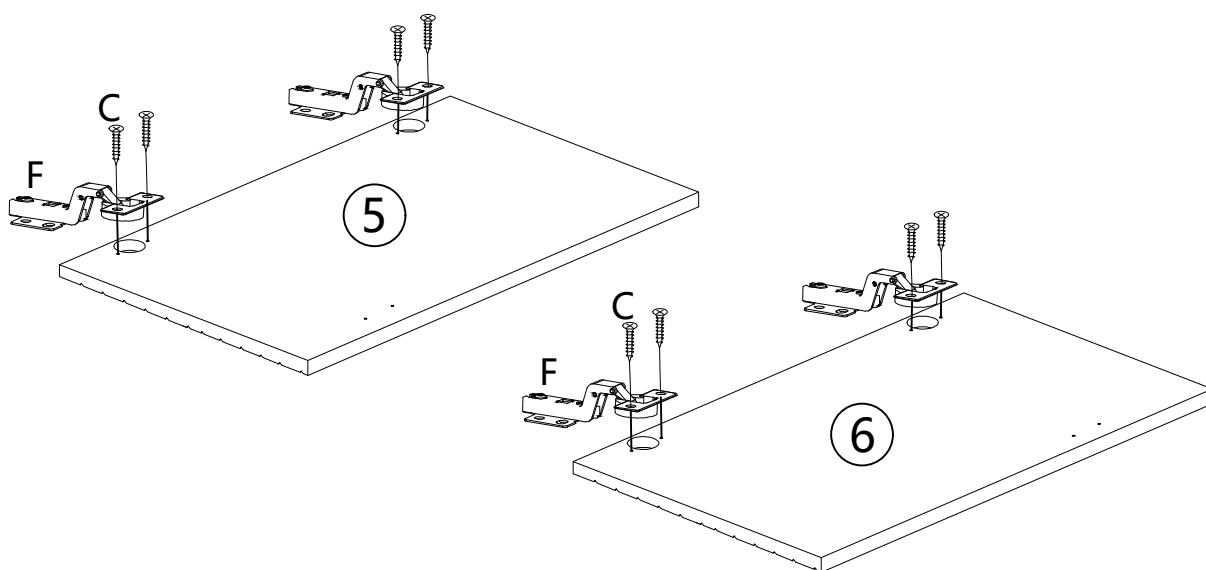



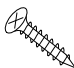
D × 12PCS

STEP 12

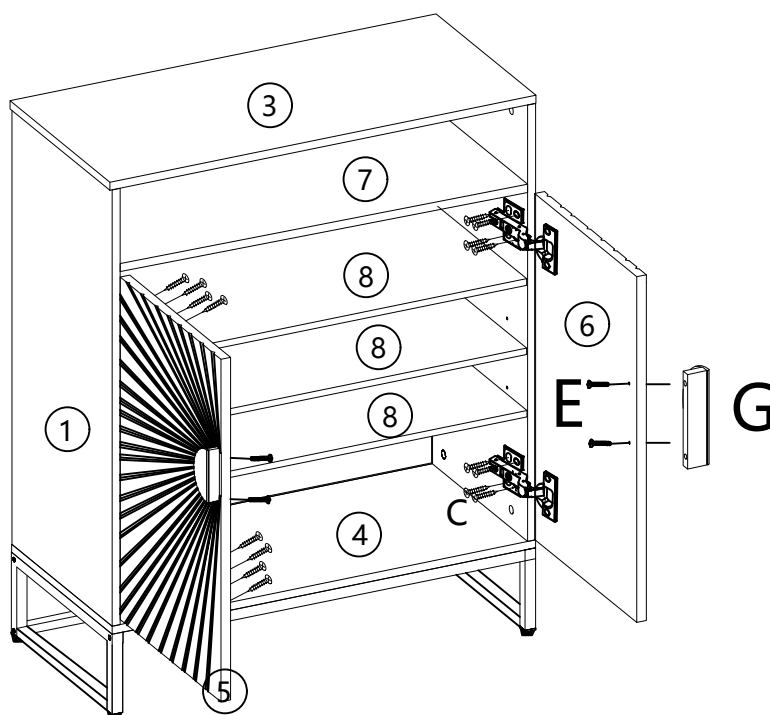



STEP 13



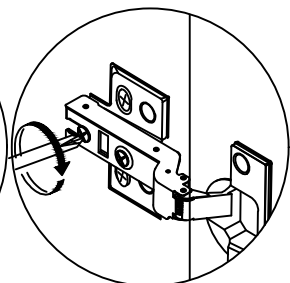
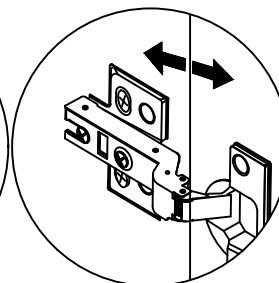
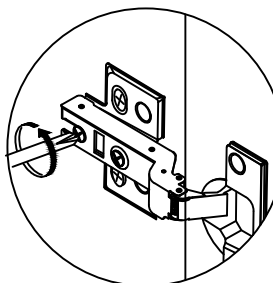
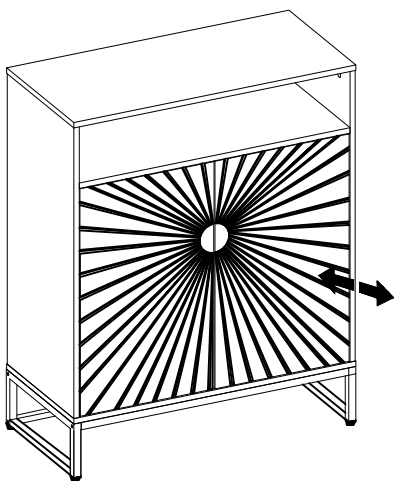
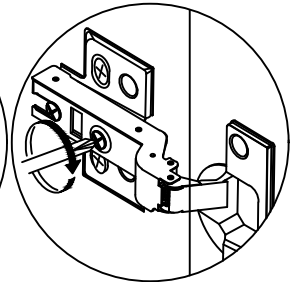
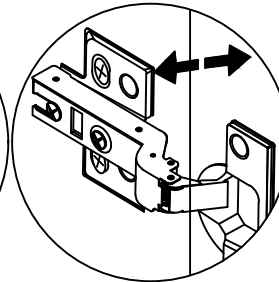
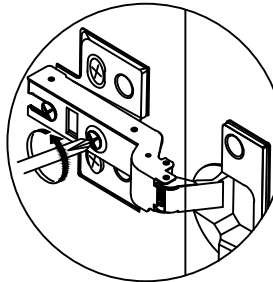
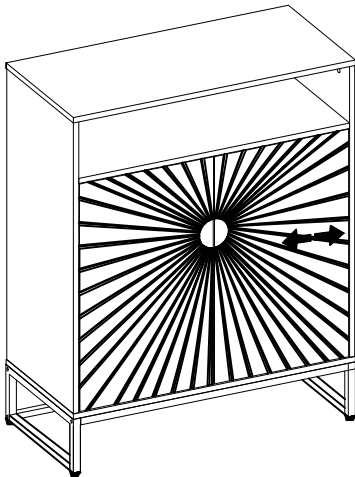
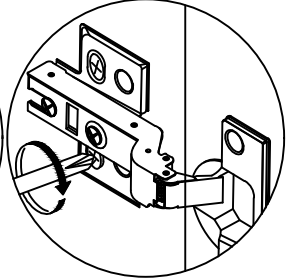
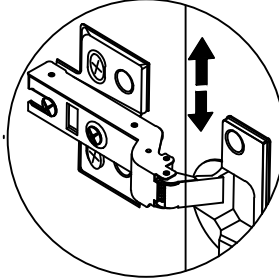
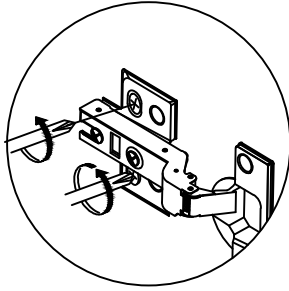
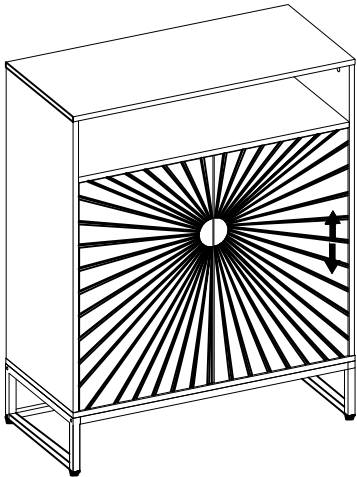
	F × 4PCS		C × 8PCS
---	----------	---	----------

STEP 14



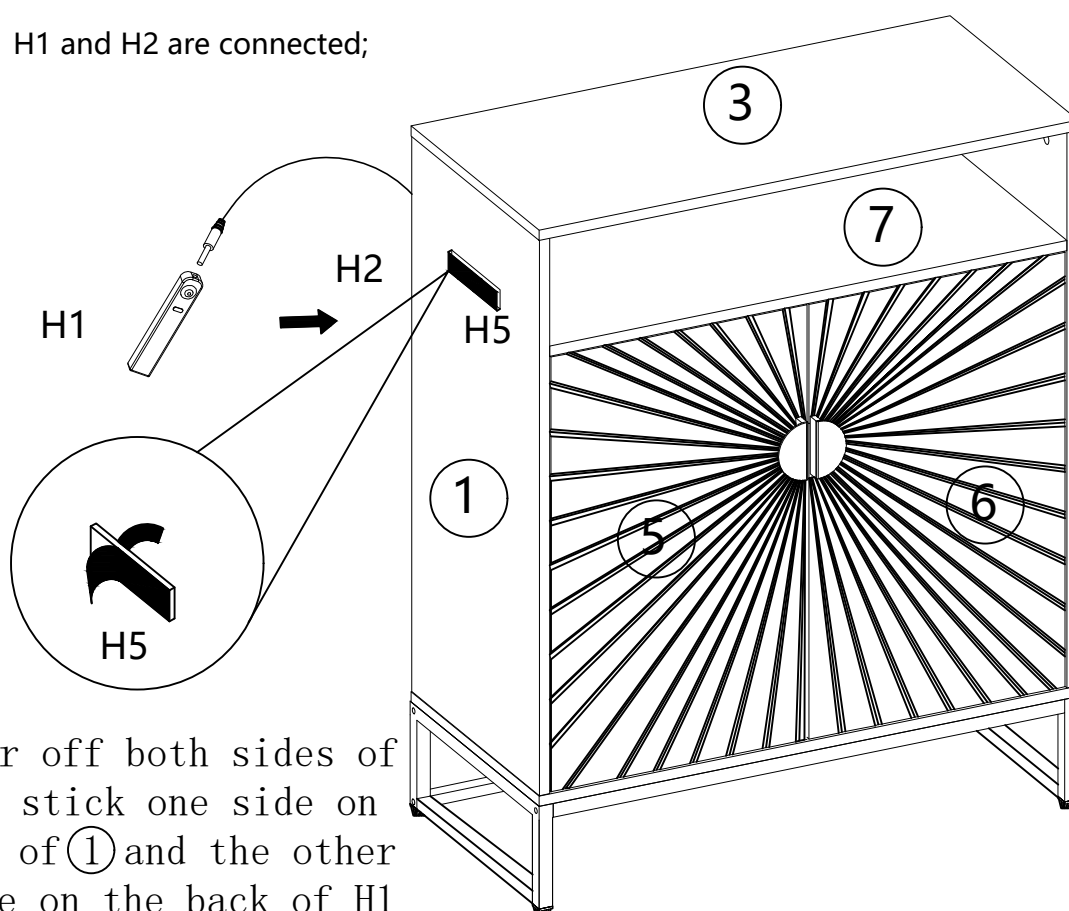
	G × 2PCS		E × 4PCS		C × 16PCS
---	----------	---	----------	---	-----------

STEP 15



STEP 16

H1 and H2 are connected;



Tear off both sides of H5, stick one side on top of ① and the other side on the back of H1

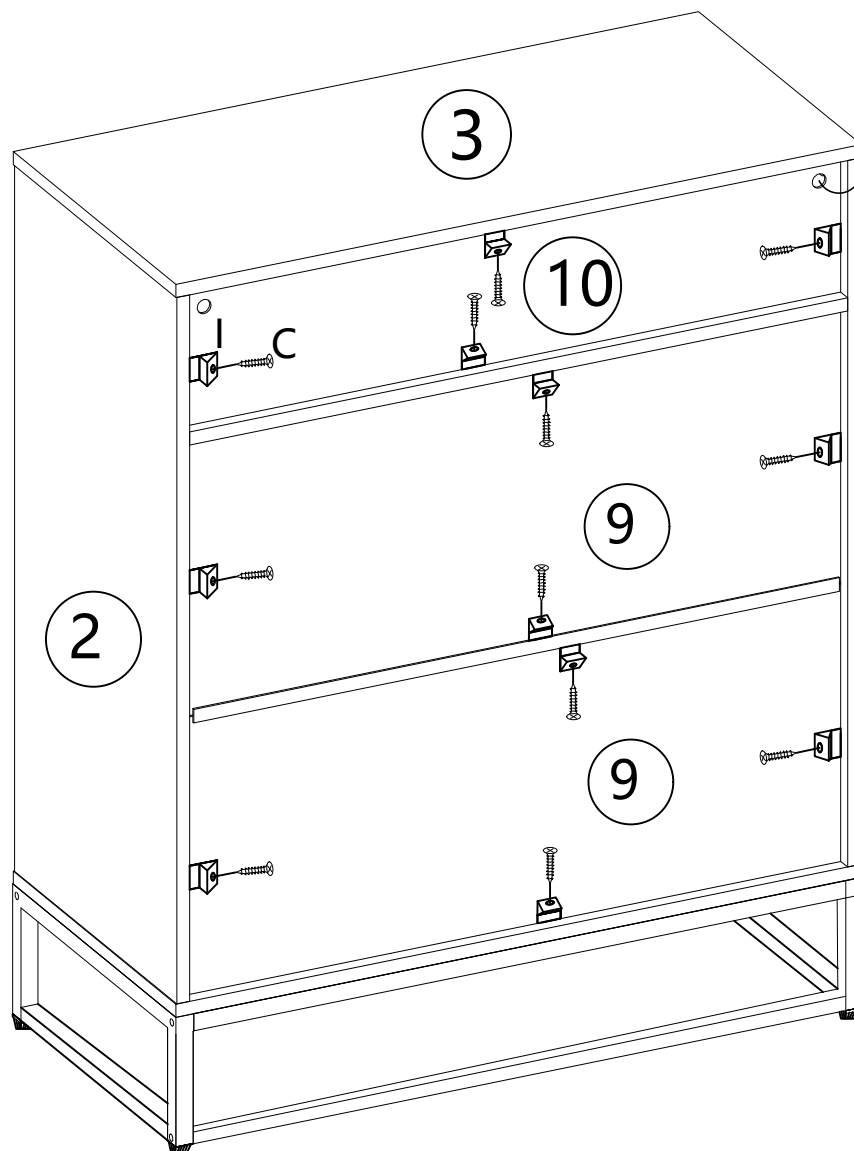


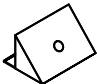
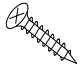
H1 × 1PC



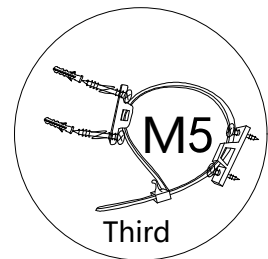
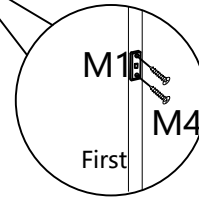
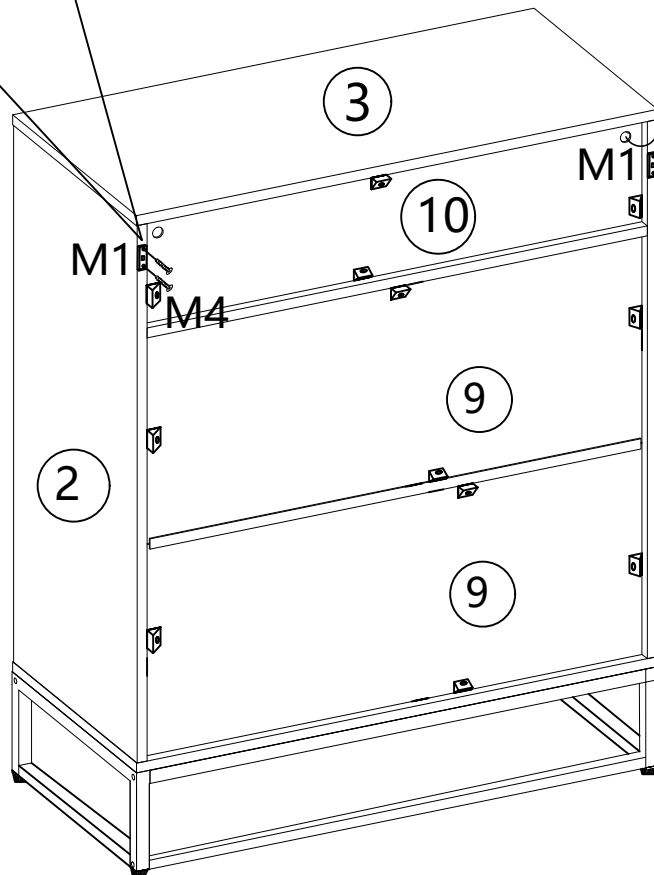
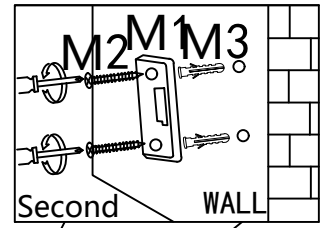
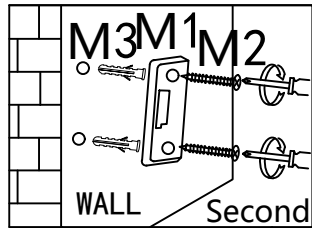
H5 × 1PC

STEP 17

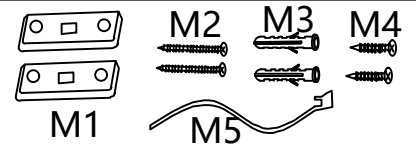


	I × 12PCS		C × 12PCS
---	-----------	---	-----------

STEP 18



M **X2**



END

