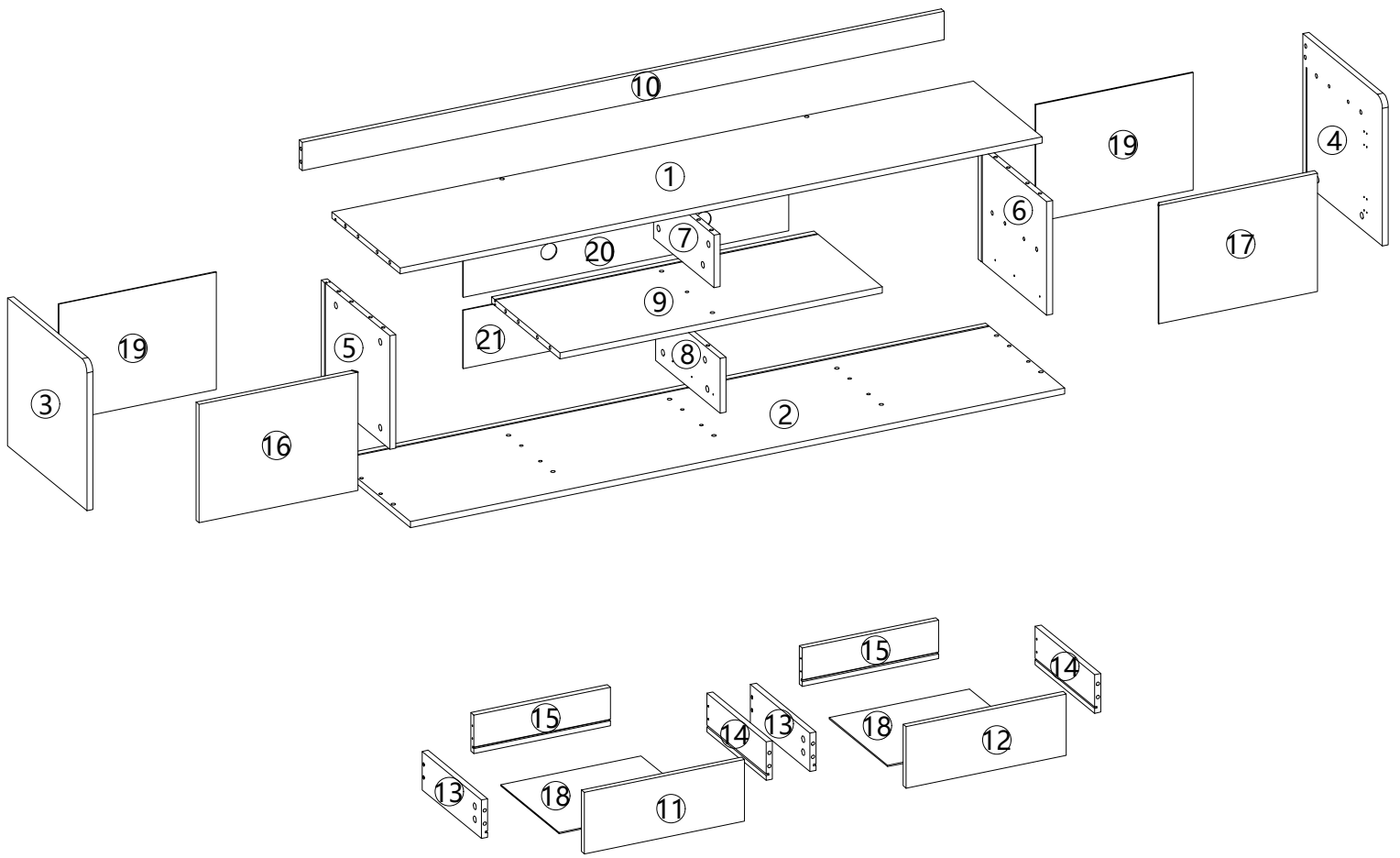


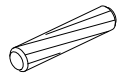
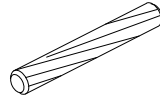

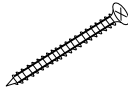
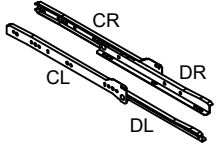
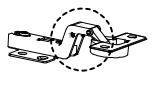
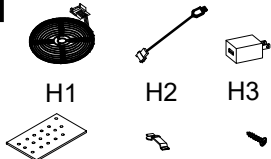
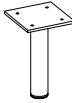


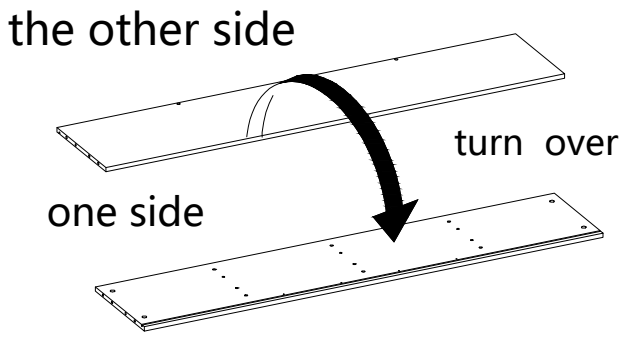
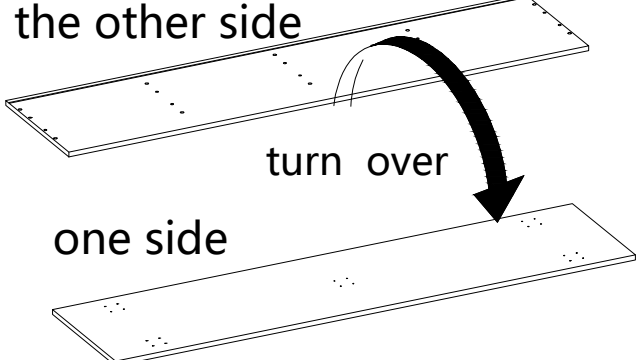
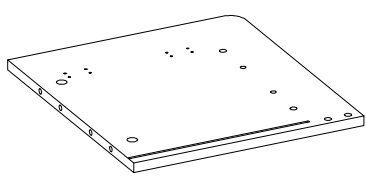
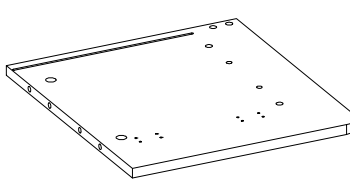
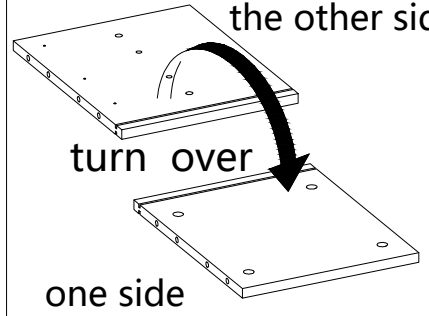
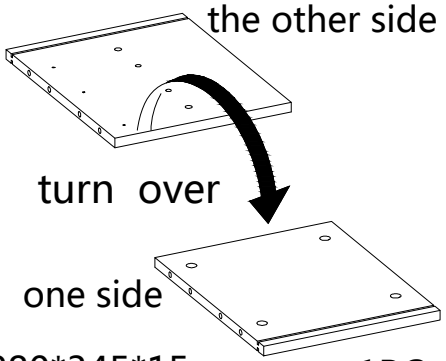
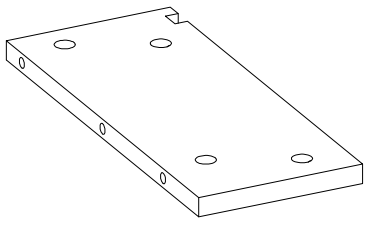
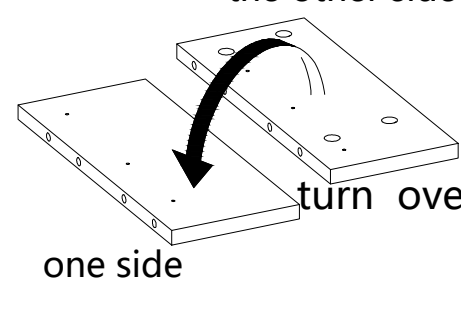
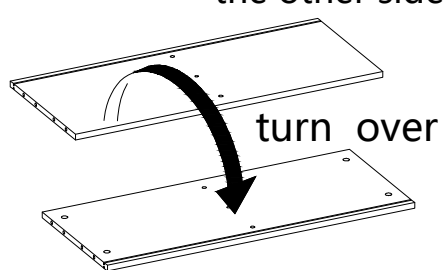
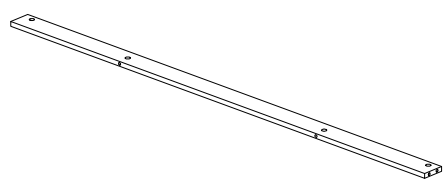
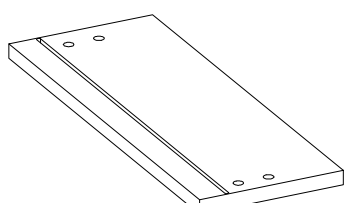
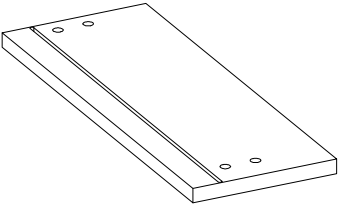
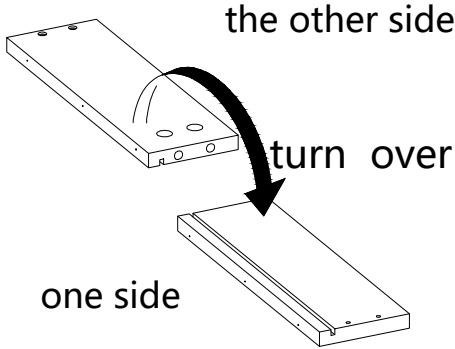
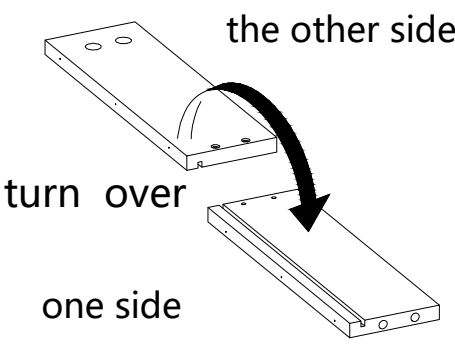
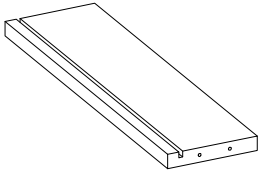
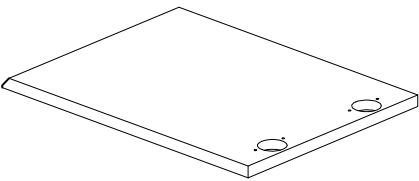
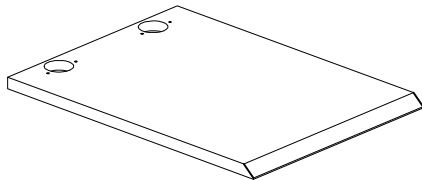
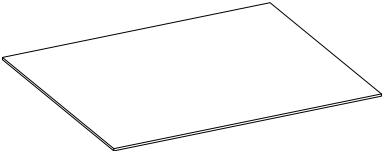
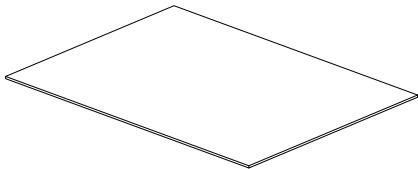
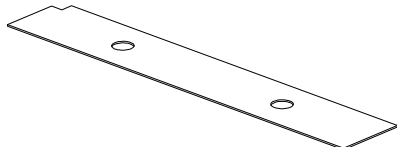
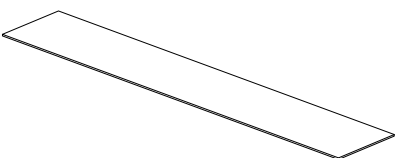


DS-TS005B



<p>A</p> <p>A1  $\phi 7 \times 40\text{mm}$</p> <p>A2  $\phi 15 \times 11\text{mm}$</p> <p>40PCS</p>	<p>B</p>  $\phi 8 \times 30\text{mm}$ <p>26PCS</p>	<p>C</p>  $\phi 8 \times 50\text{mm}$ <p>1PC</p>	<p>D</p>  $\phi 3.5 \times 14\text{mm}$ <p>88PCS</p>	<p>E</p>  $\phi 3.5 \times 35\text{mm}$ <p>8PCS</p>	<p>F</p>  CR, DR, CL, DL L=300mm <p>2PCS</p>
<p>G</p> <p>Insert</p>  $\phi 35\text{mm}$ <p>4PCS</p>	<p>H</p>  H1, H2, H3, H4, H5*4, H6*4 <p>1PC</p>	<p>I</p>  5PCS	<p>J</p>  20PCS	<p>K</p>  $\phi 21\text{mm}$ <p>40PCS</p>	

<p>1</p> <p>the other side</p>  <p>turn over</p> <p>one side</p> <p>1618*345*15mm</p> <p>1PC</p>	<p>2</p> <p>the other side</p>  <p>turn over</p> <p>one side</p> <p>1650*400*15mm</p> <p>1PC</p>	
<p>3</p>  <p>365*400*15mm</p> <p>1PC</p>	<p>4</p>  <p>365*400*15mm</p> <p>1PC</p>	<p>5</p> <p>the other side</p>  <p>turn over</p> <p>one side</p> <p>280*345*15mm</p> <p>1PC</p>
<p>6</p> <p>the other side</p>  <p>turn over</p> <p>one side</p> <p>280*345*15mm</p> <p>1PC</p>	<p>7</p>  <p>130*305*15mm</p> <p>1PC</p>	<p>8</p> <p>the other side</p>  <p>turn over</p> <p>one side</p> <p>135*325*15mm</p> <p>1PC</p>
<p>9</p> <p>the other side</p>  <p>turn over</p> <p>one side</p> <p>813*345*15mm</p> <p>1PC</p>	<p>10</p>  <p>1618*70*15mm</p> <p>1PC</p>	<p>11</p>  <p>152*403.5*15mm</p> <p>1PC</p>

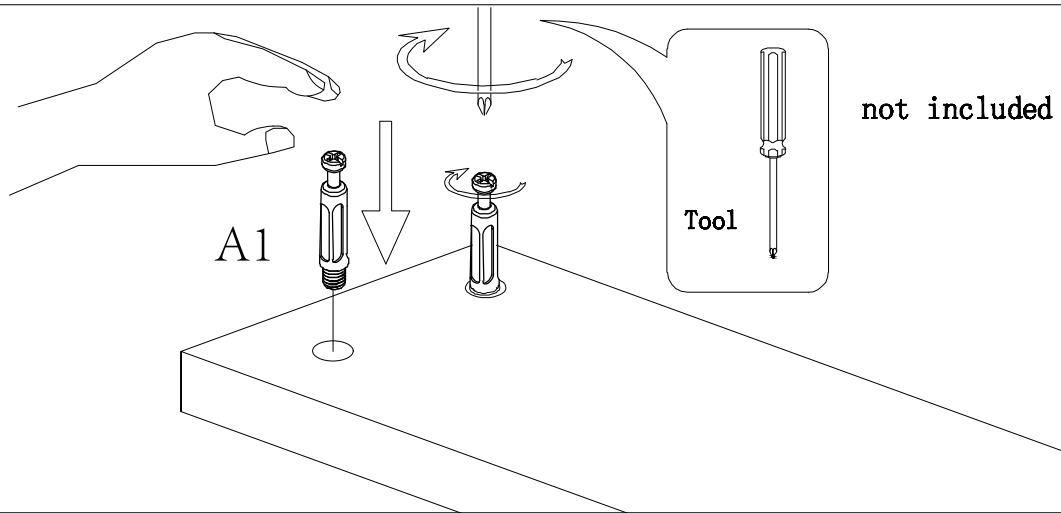
<p>12</p>  <p>152*403.5*15mm 1PC</p>	<p>13</p>  <p>the other side turn over one side</p> <p>300*95*15mm 2PCS</p>	<p>14</p>  <p>the other side turn over one side</p> <p>300*495*15mm 2PCS</p>
<p>15</p>  <p>344*95*15mm 2PCS</p>	<p>16</p>  <p>292*400.5*15mm 1PC</p>	<p>17</p>  <p>292*400.5*15mm 1PC</p>
<p>18</p>  <p>354*295*3mm 2PCS</p>	<p>19</p>  <p>290*396.5*3mm 2PCS</p>	<p>20</p>  <p>139*821*3mm 1PC</p>
<p>21</p>  <p>144*821*3mm 1PC</p>		

Hardware installation demonstration

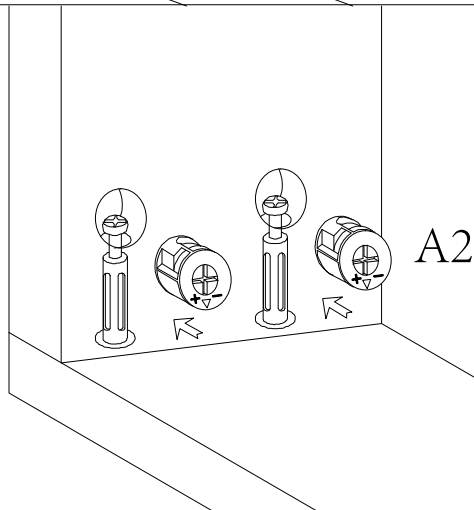


NOTE: Please make sure "A1" hardware tightened and can't be pulled out!

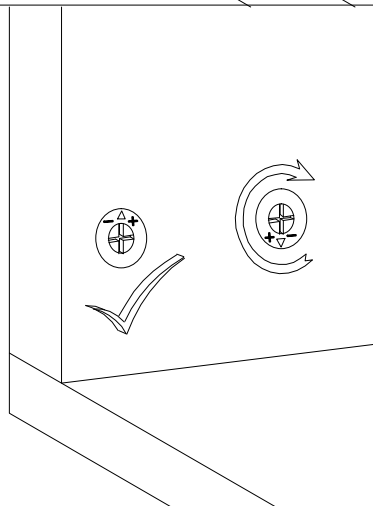
I



II

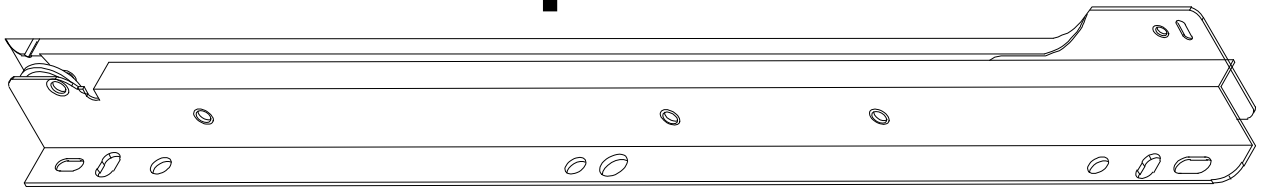


III

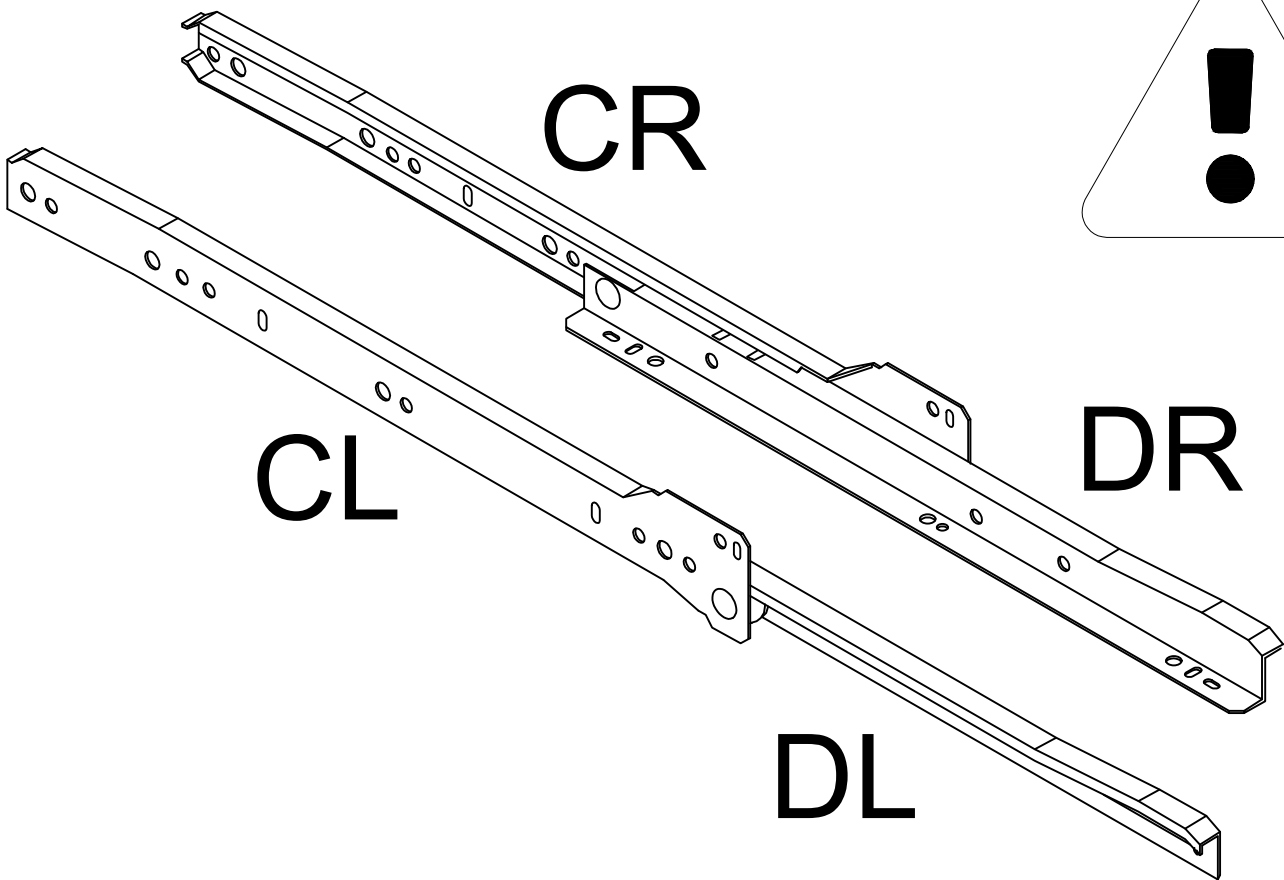


STEP 1

F



CR

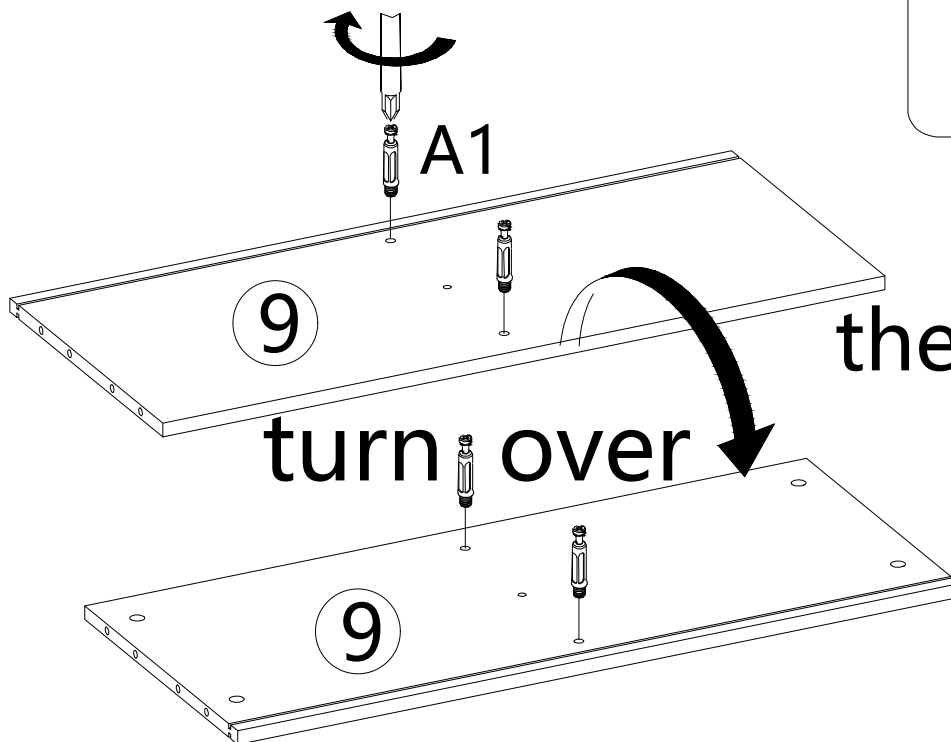
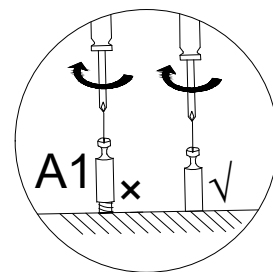
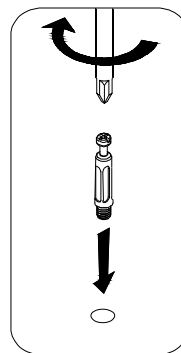


CL

DR

DL

STEP 2



the other side

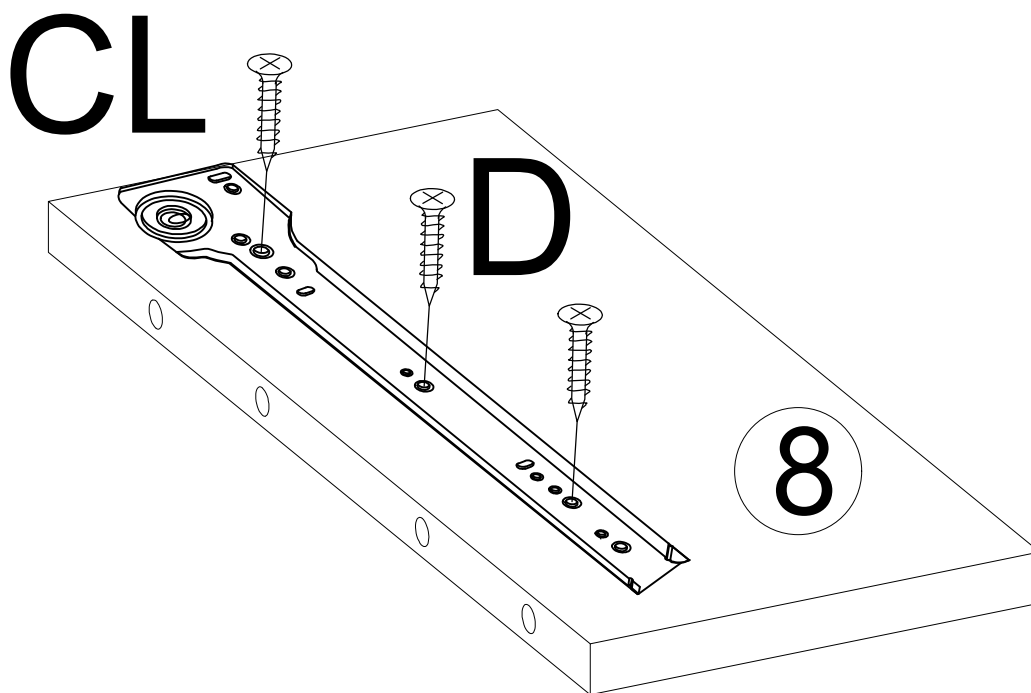
turn over

one side



A1 × 4PCS

STEP 3

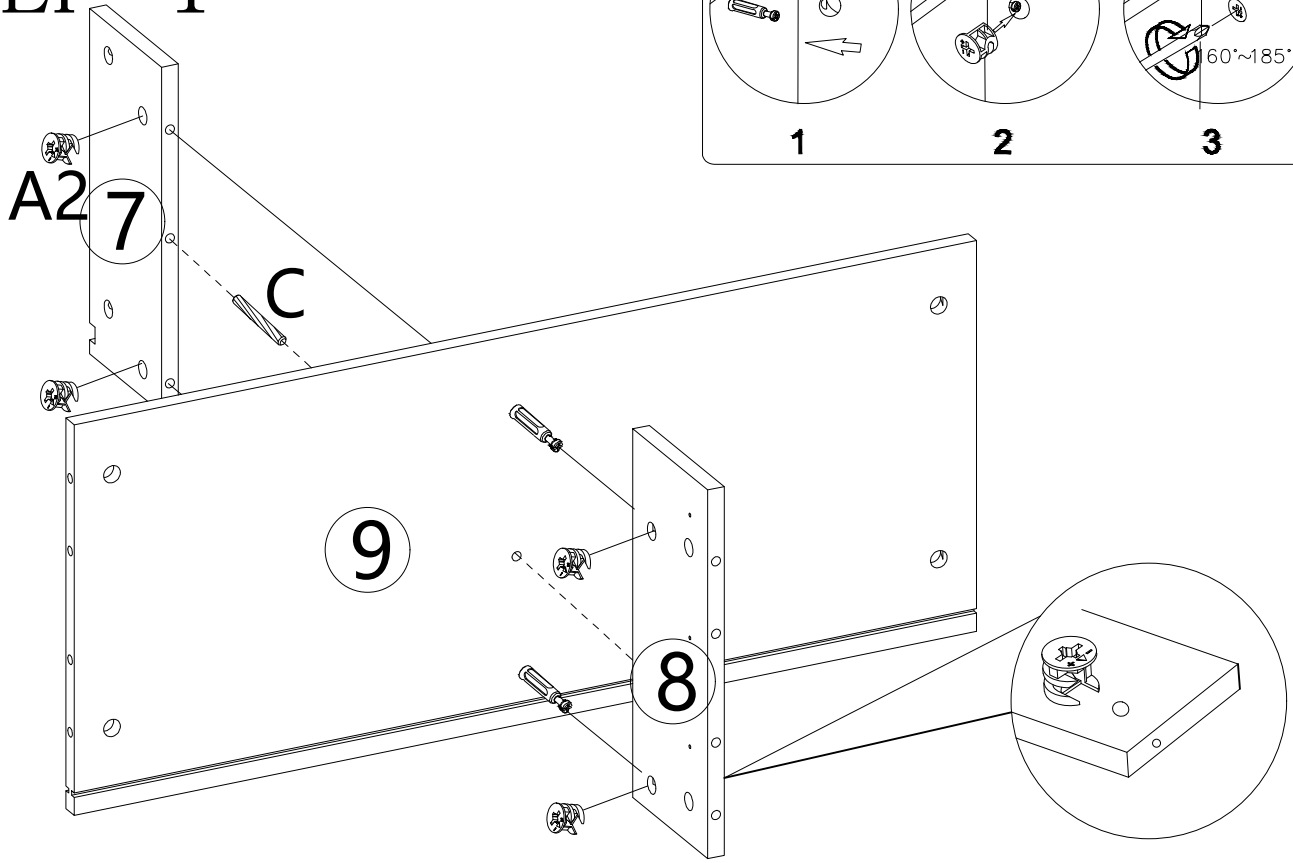




D × 3PCS



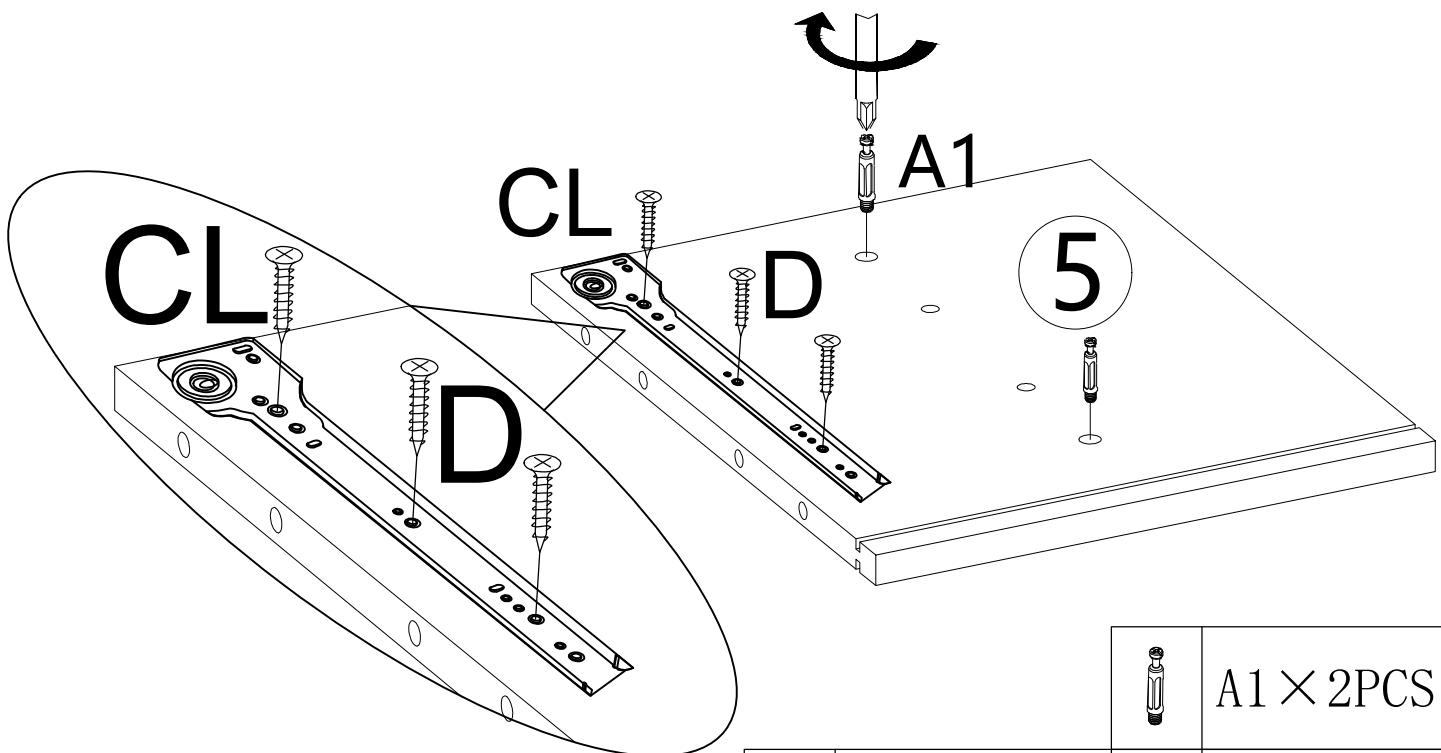
CL × 1PC




STEP 4



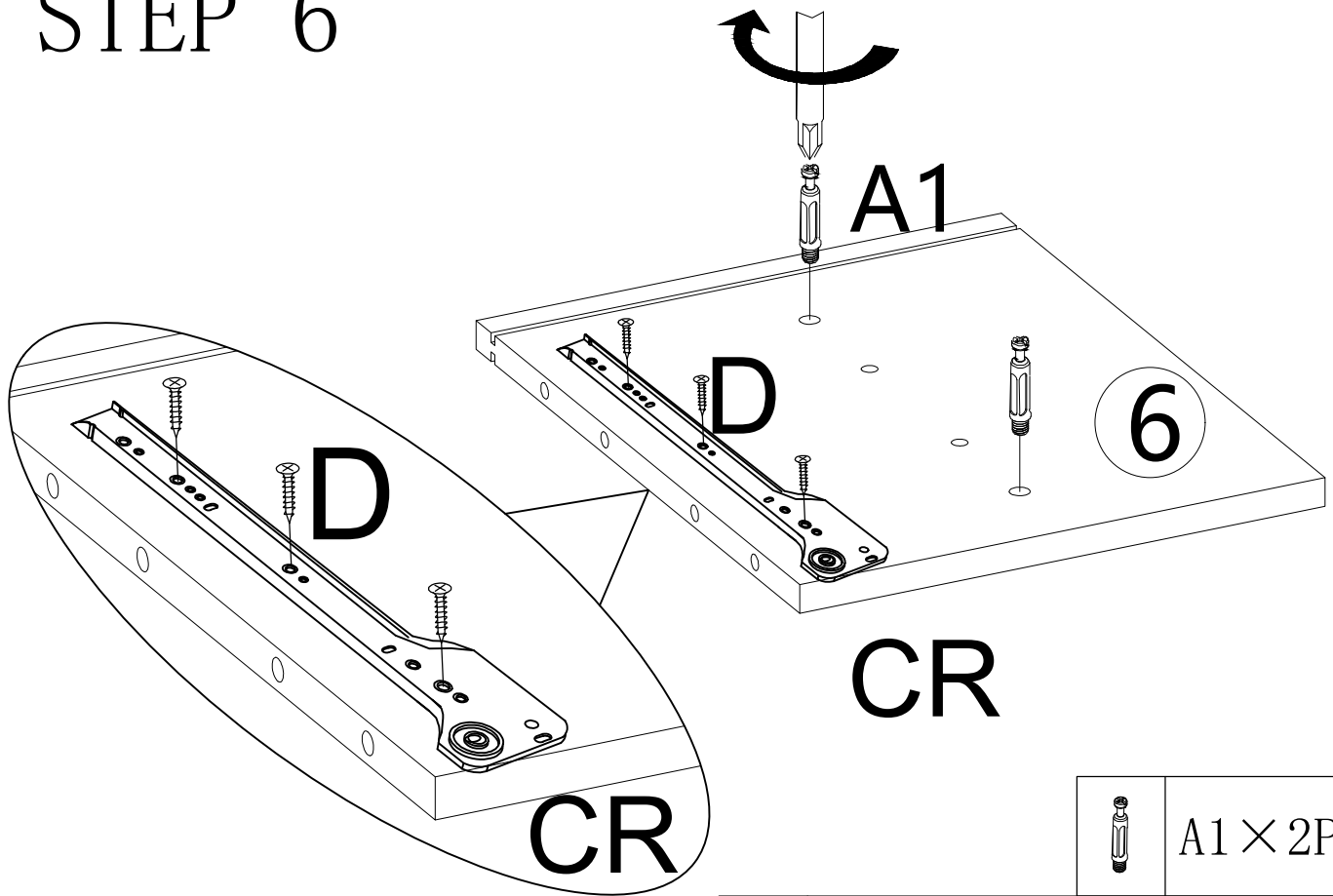
	A2 × 4PCS		C × 1PC
---	-----------	---	---------




STEP 5



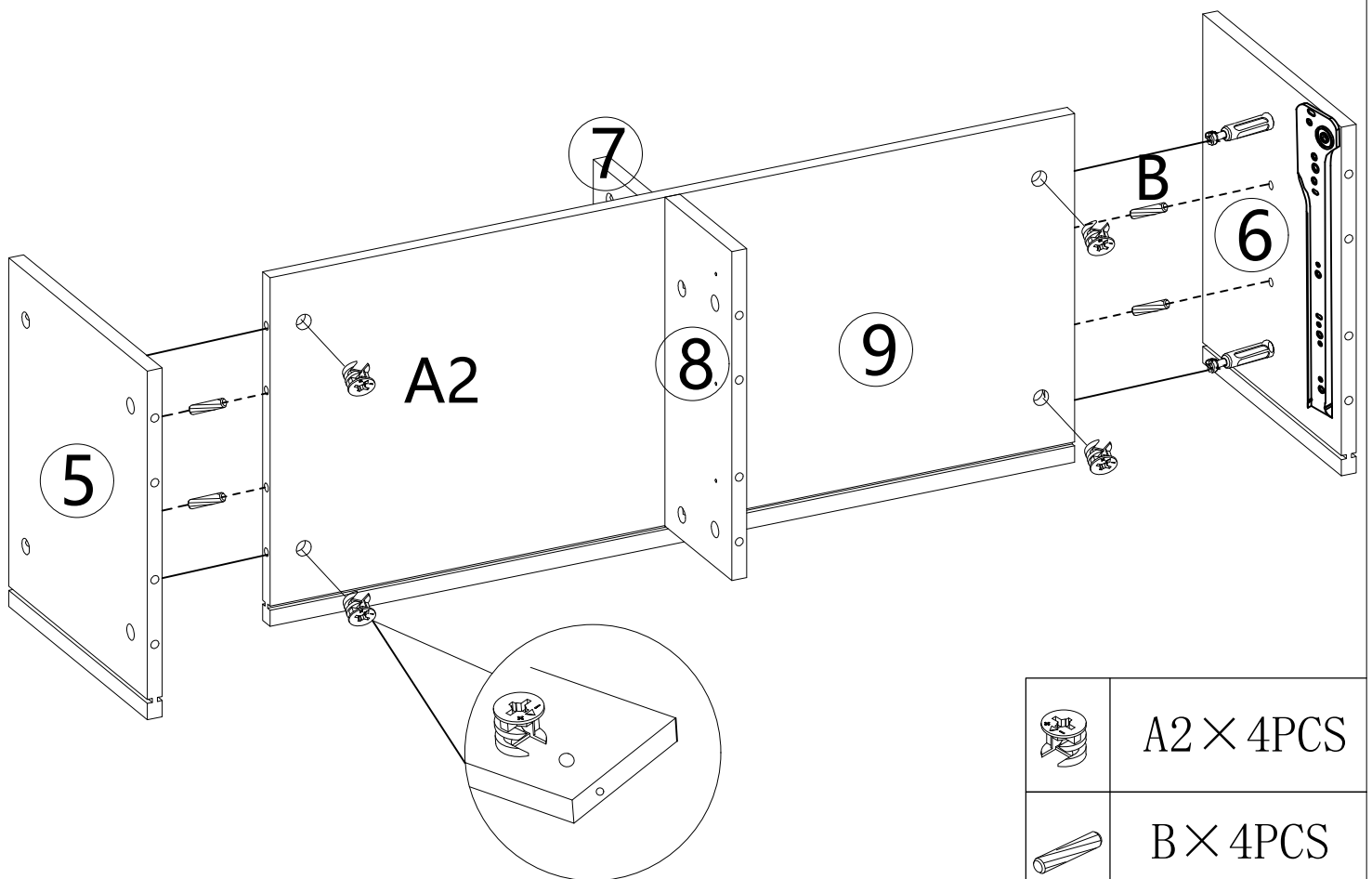
	D × 3PCS		A1 × 2PCS
			CL × 1PC


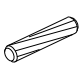
STEP 6



	A1 × 2PCS
	D × 3PCS
	CR × 1PC

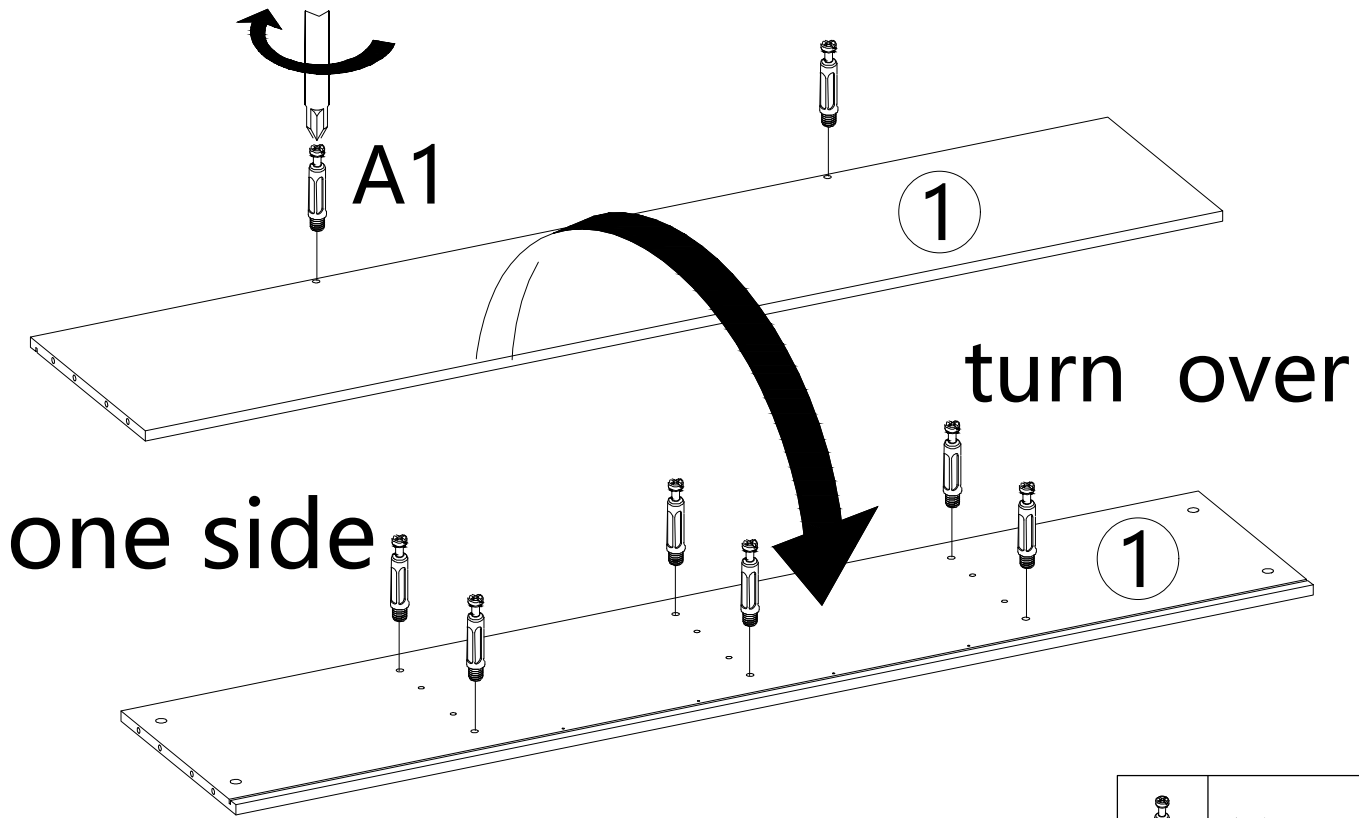
STEP 7




	A2 × 4PCS
	B × 4PCS

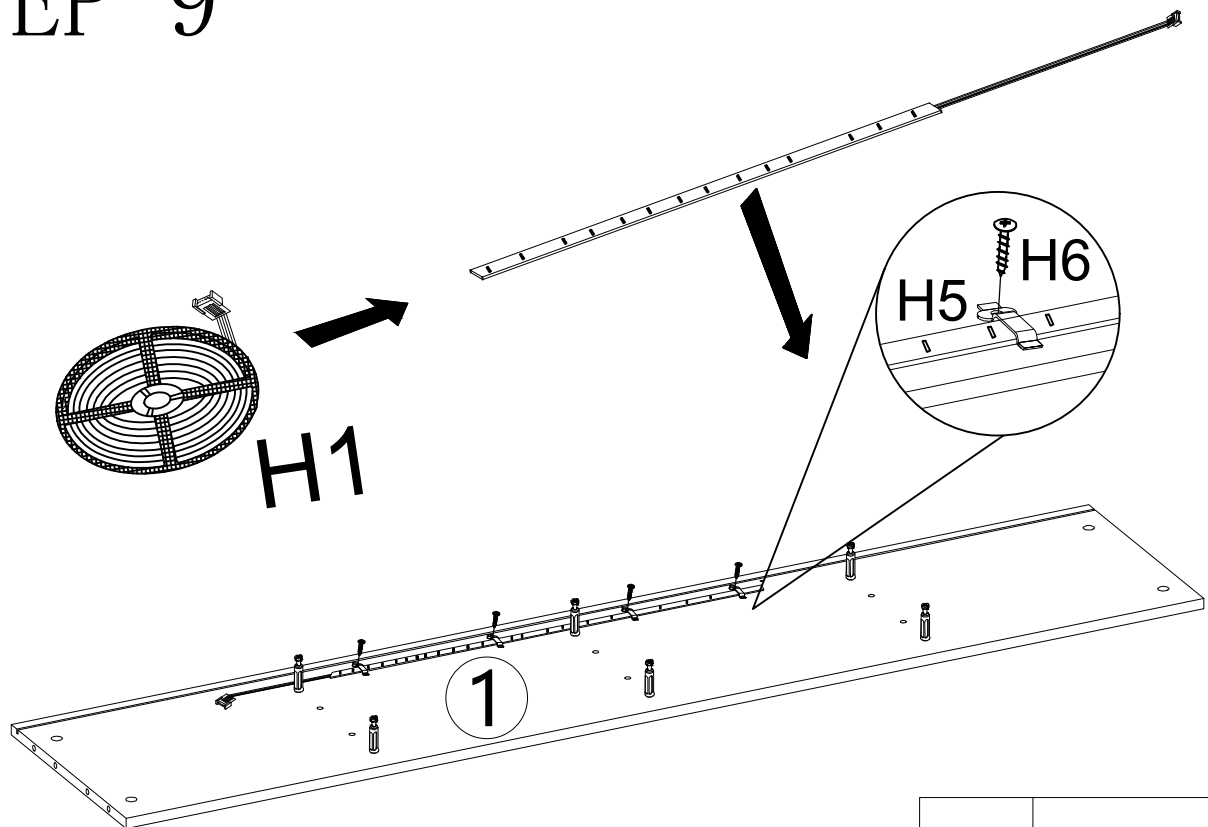
STEP 8


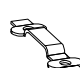

the other side



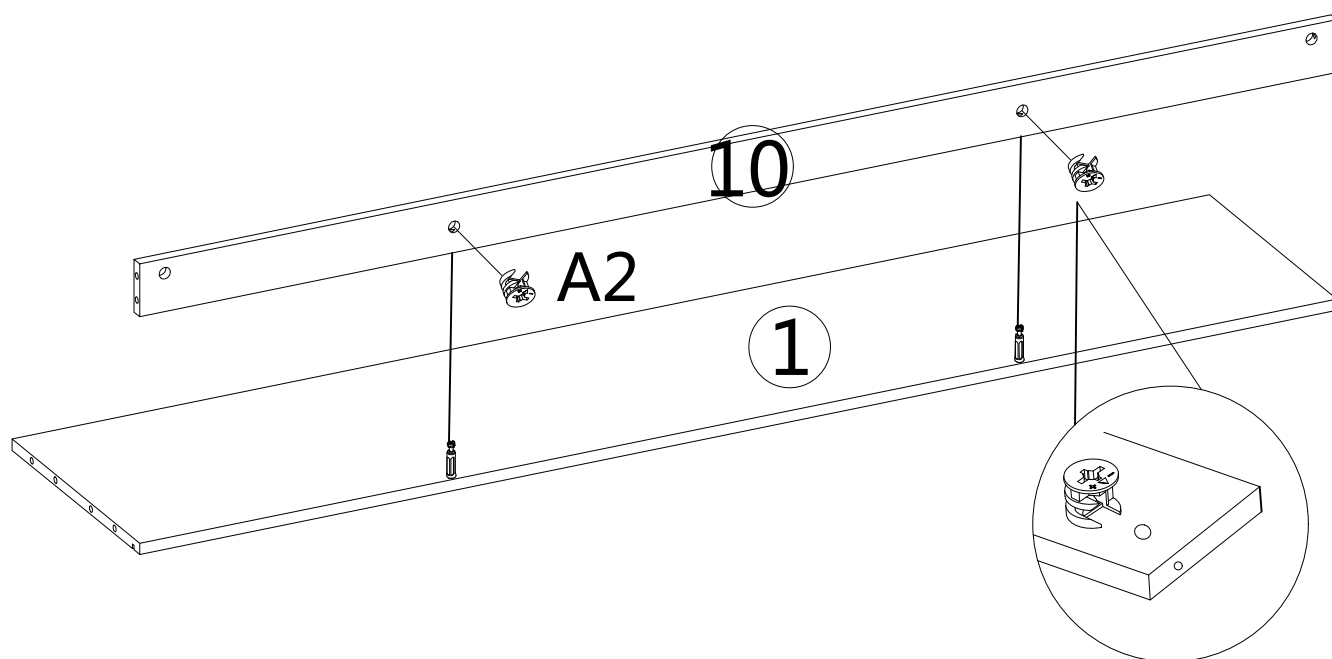
	A1 × 8PCS
---	-----------

STEP 9



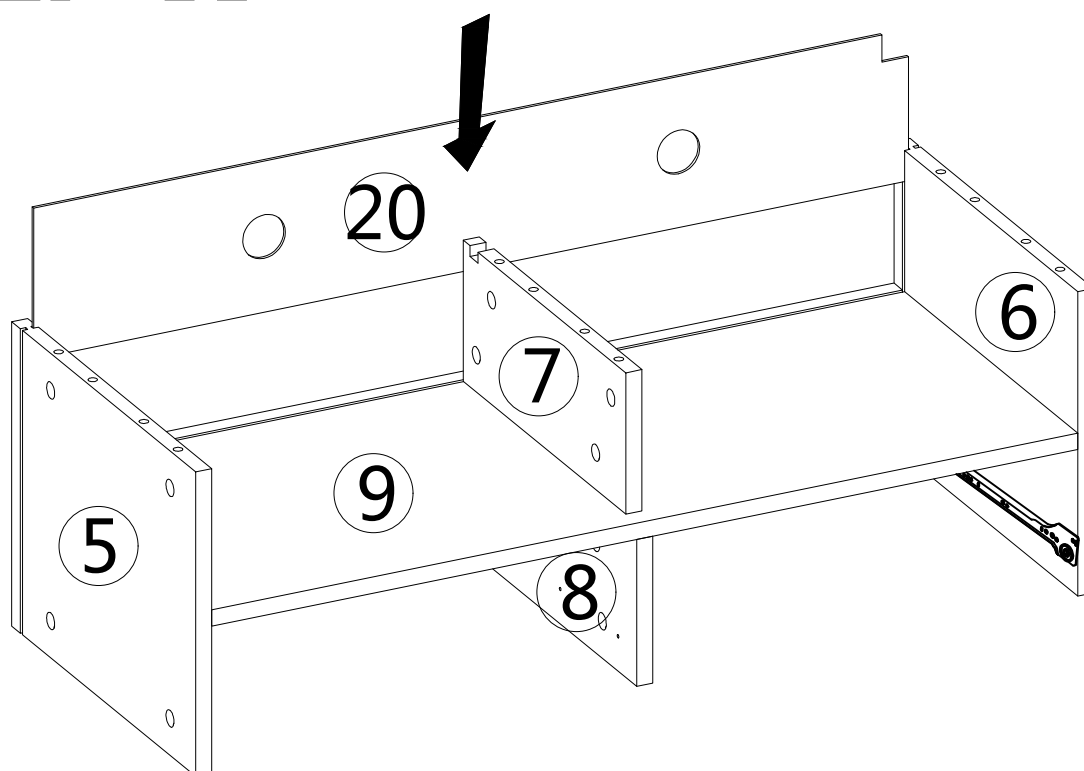
	H1 × 1PC
	H5 × 4PCS
	H6 × 4PCS

STEP 10

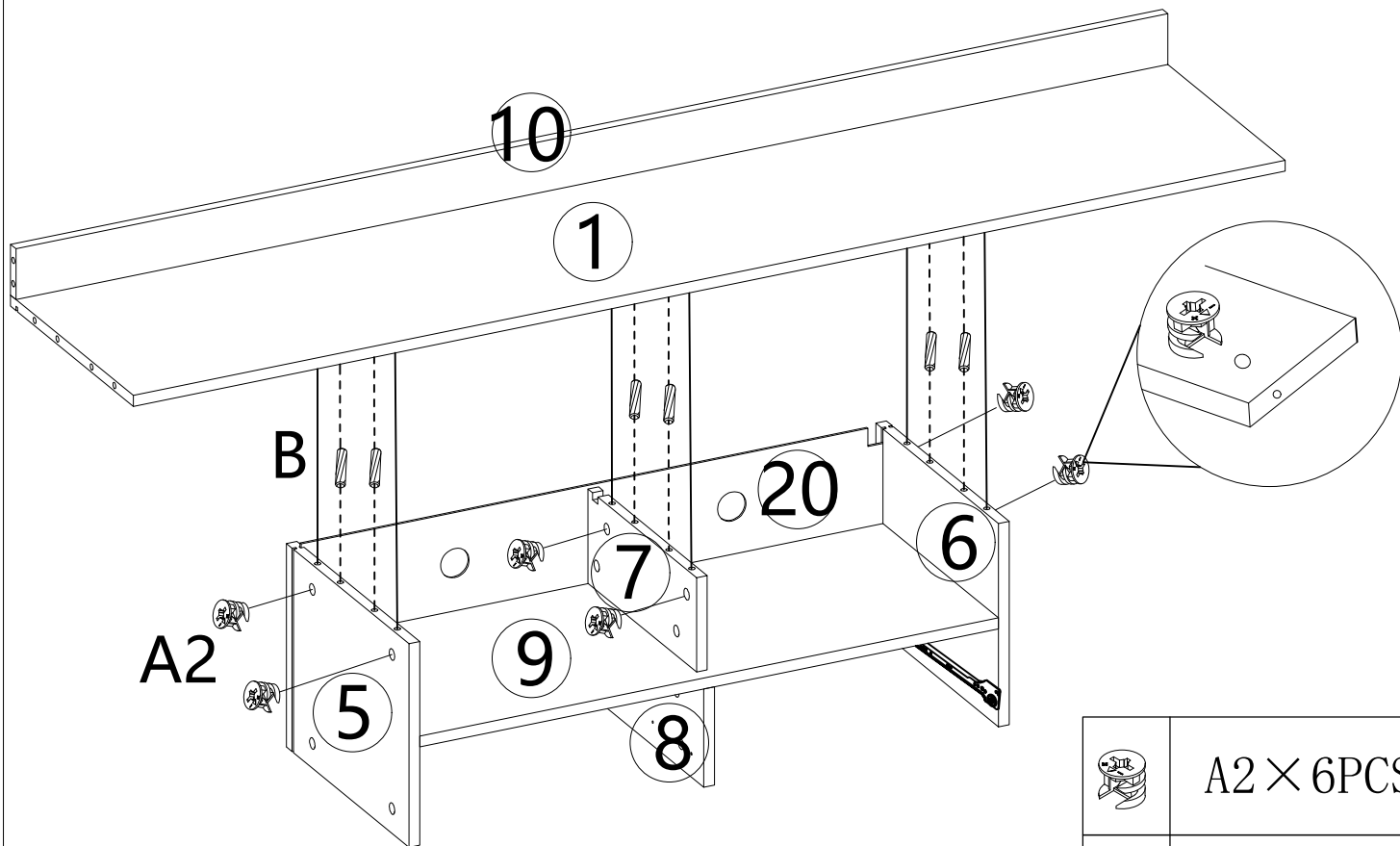



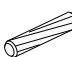
A2 × 2PCS

STEP 11

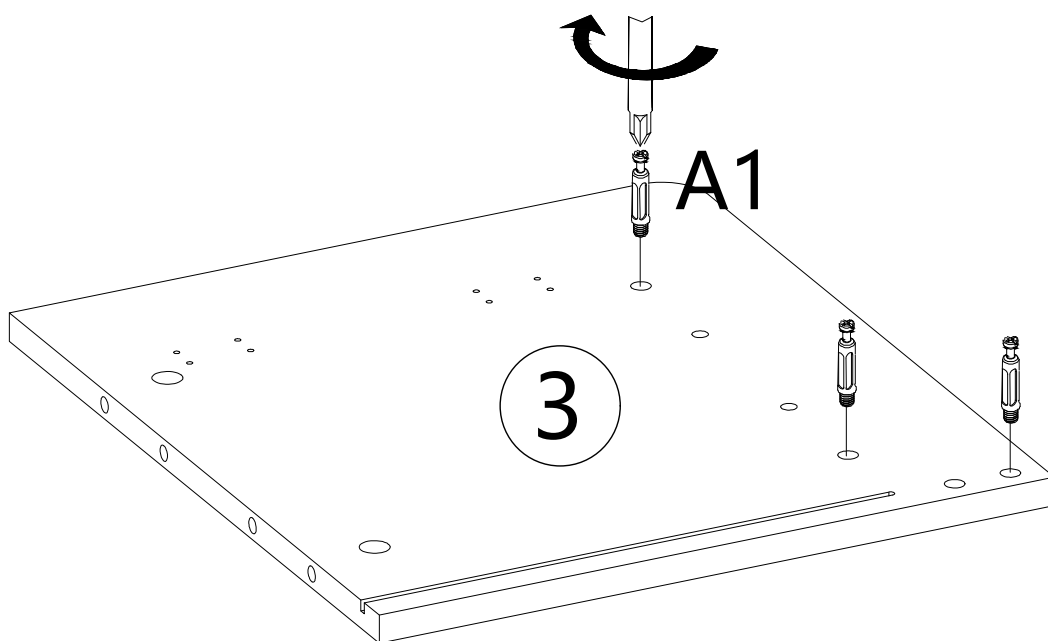



STEP 12



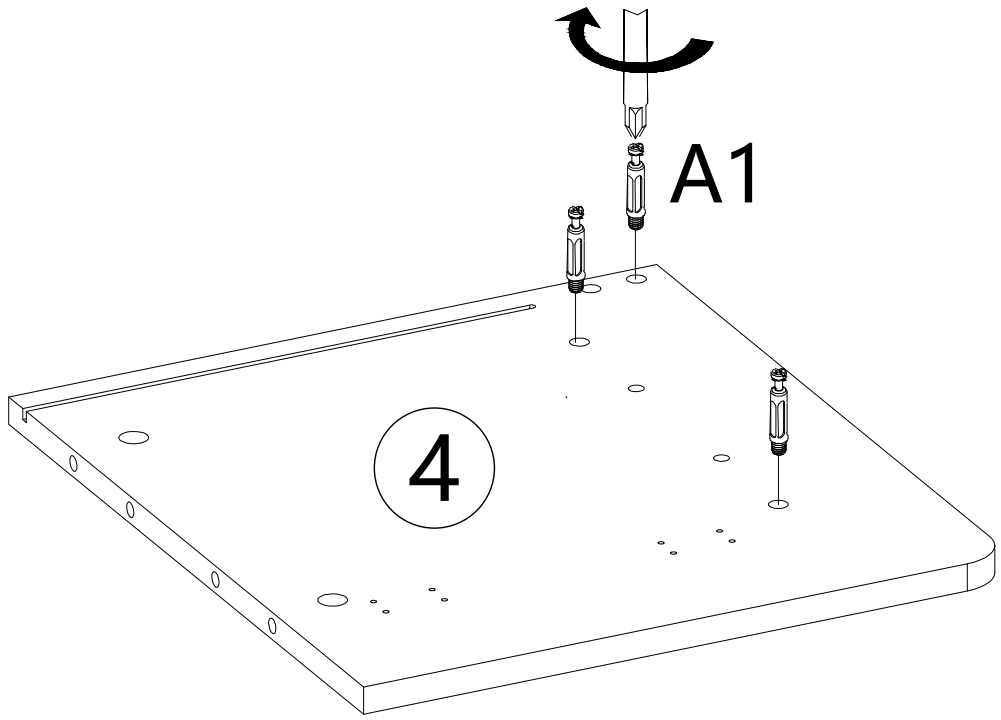
	A2 × 6PCS
	B × 6PCS


STEP 13



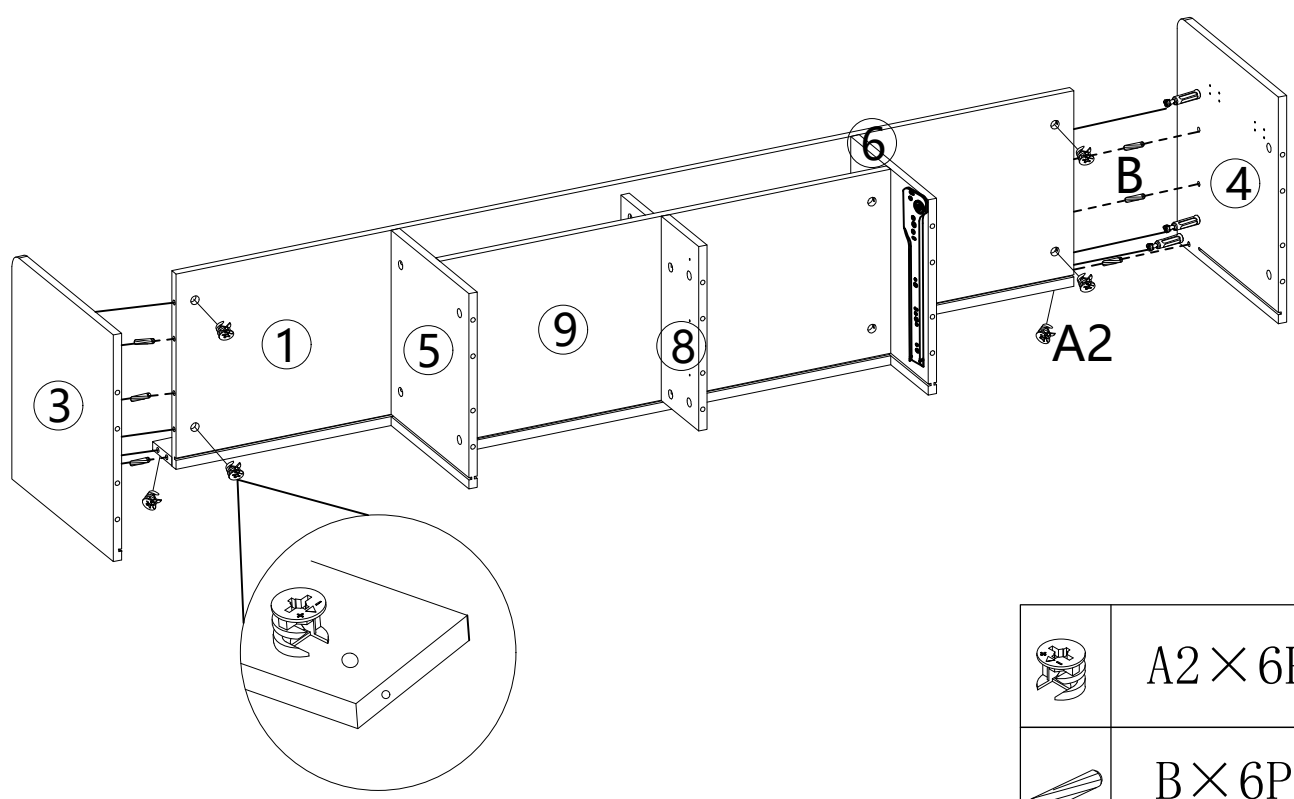
	A1 × 3PCS
---	-----------


STEP 14

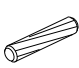


	A1 × 3PCS
---	-----------

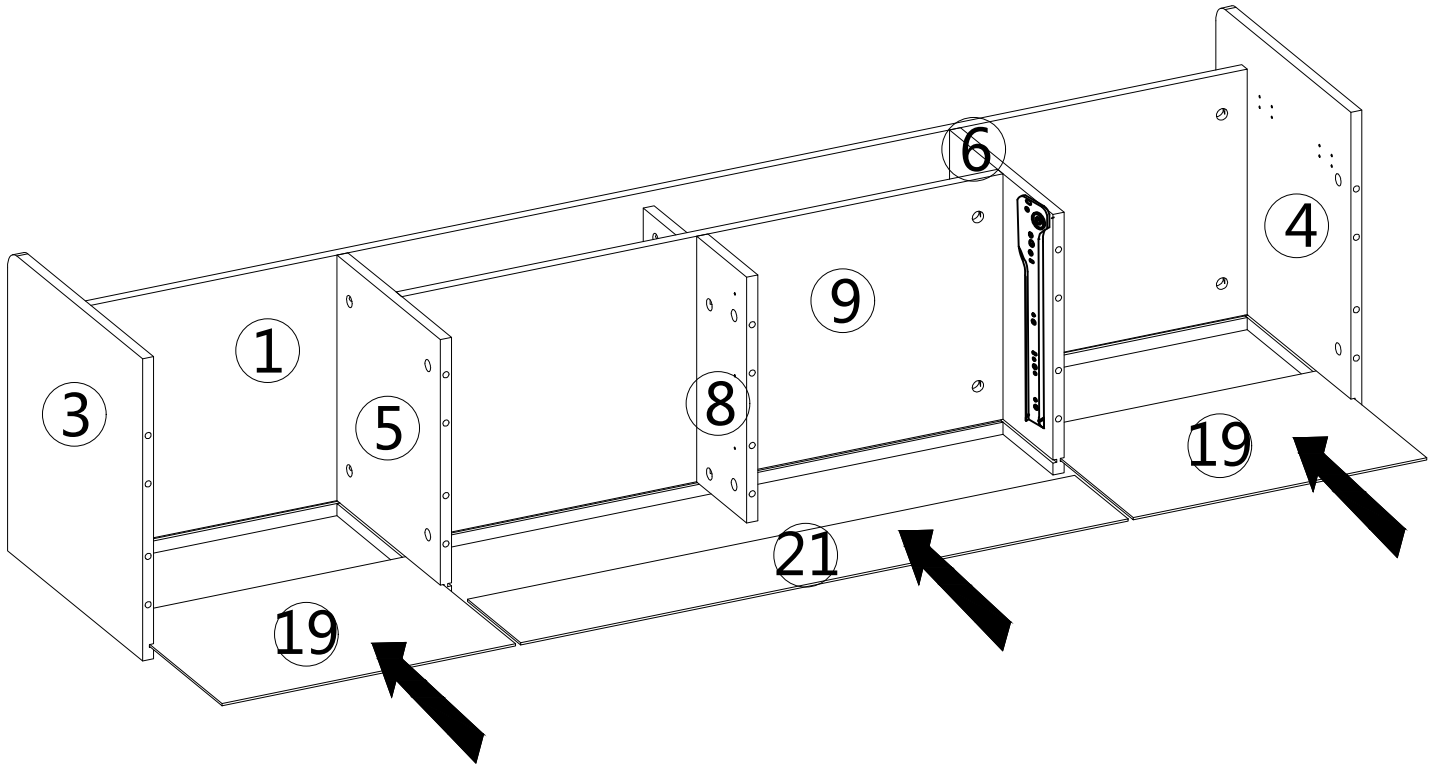
STEP 15



	A2 × 6PCS
---	-----------

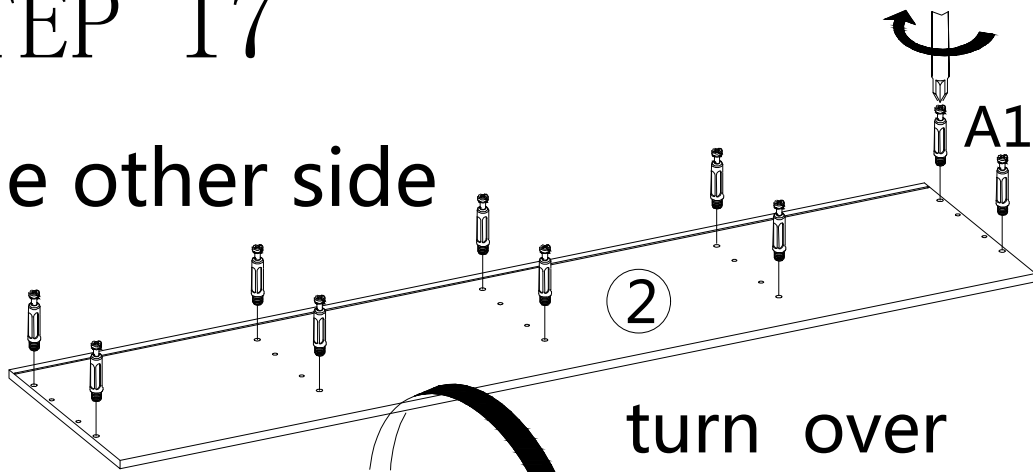
	B × 6PCS
---	----------

STEP 16

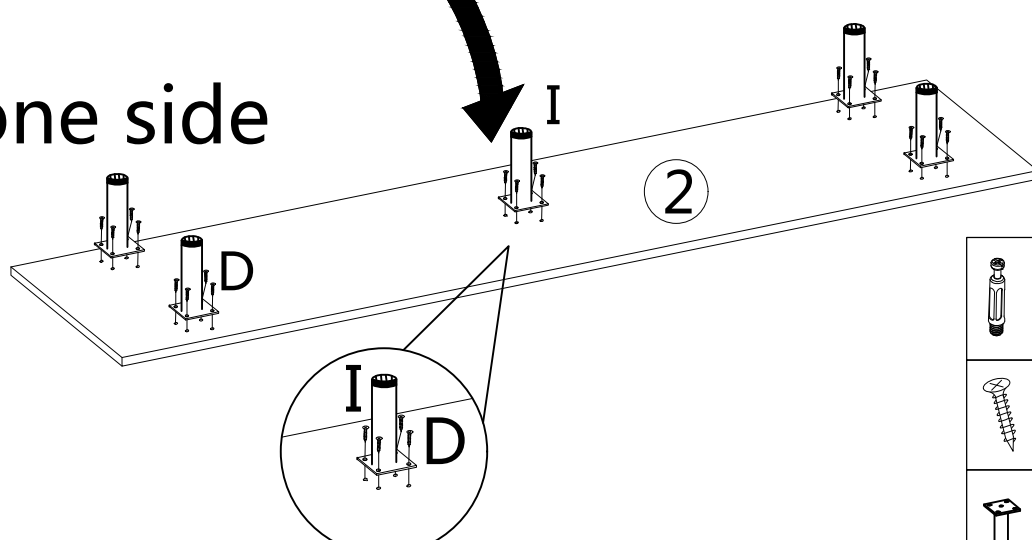





STEP 17

the other side

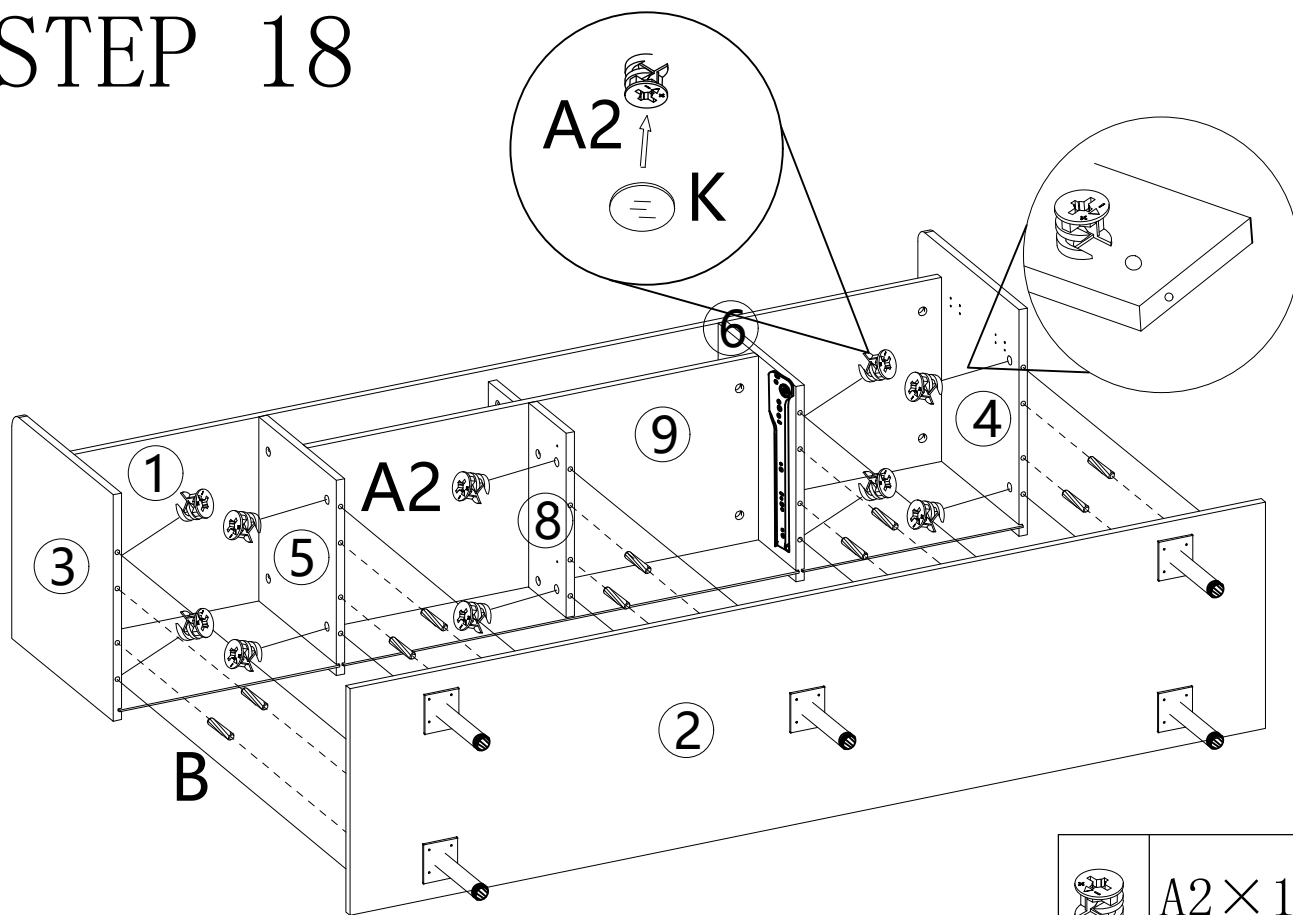



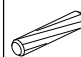

one side



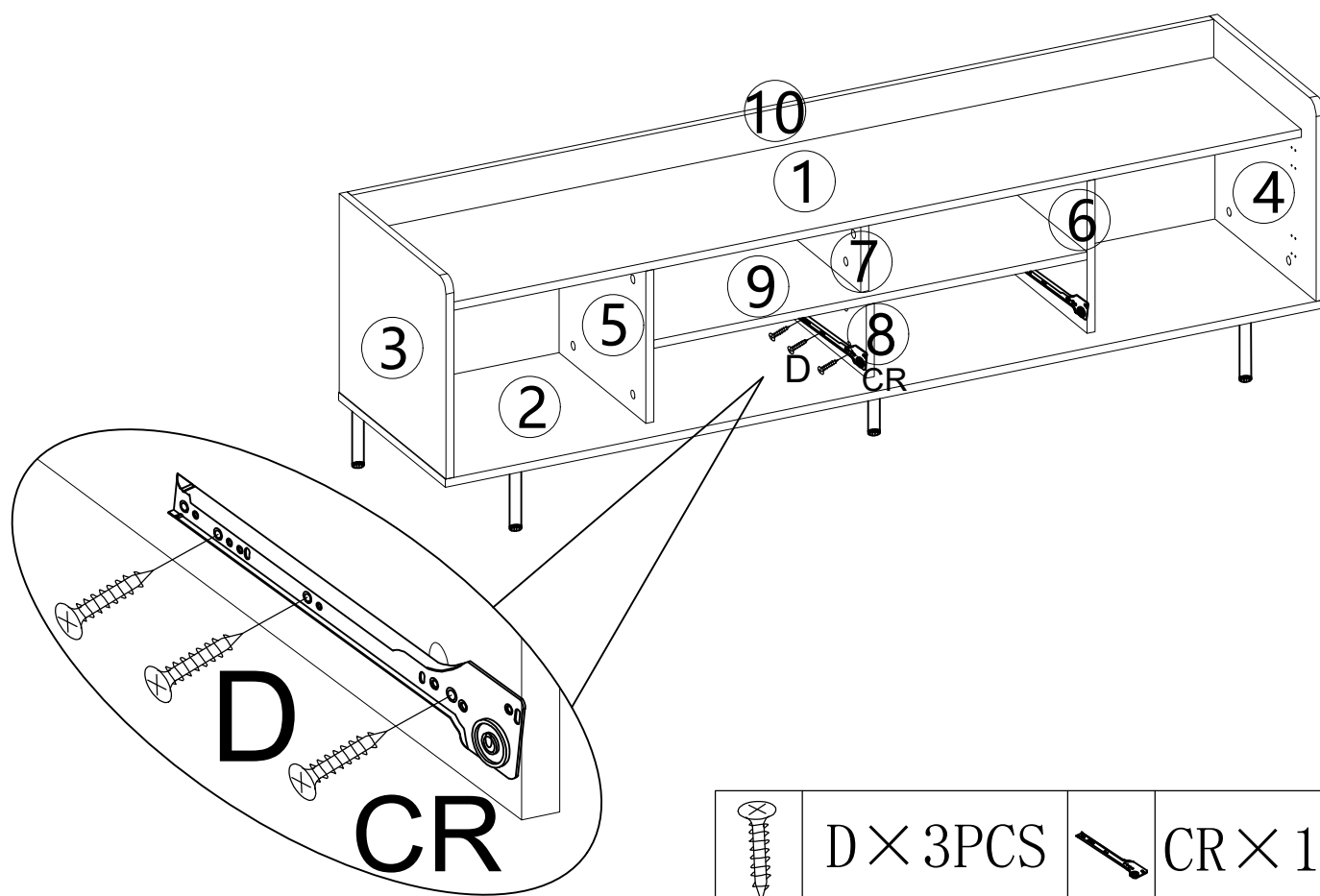
	A1 × 10PCS
	D × 20PCS
	I × 5PC

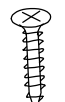

STEP 18



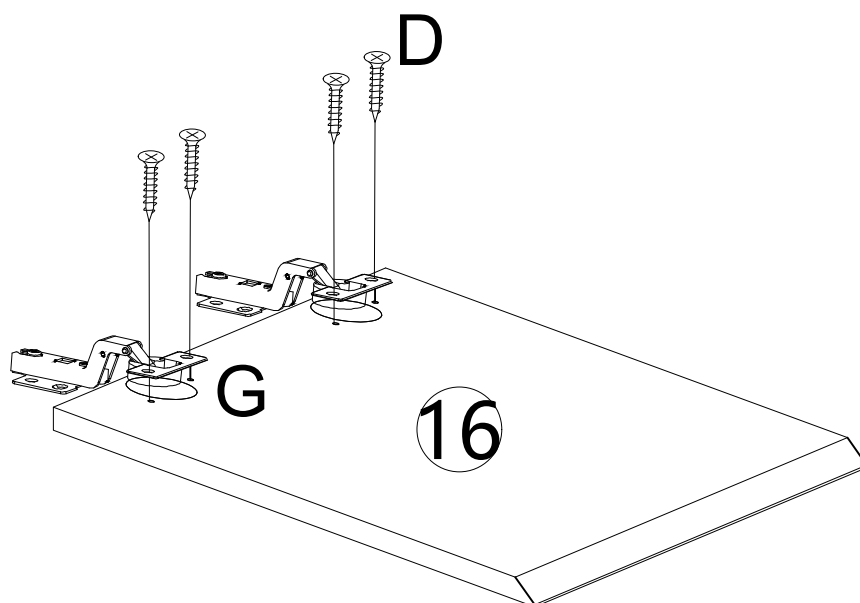
	A2 × 10PCS
	B × 10PCS
	K × 32PCS

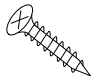
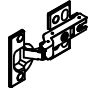
STEP 19



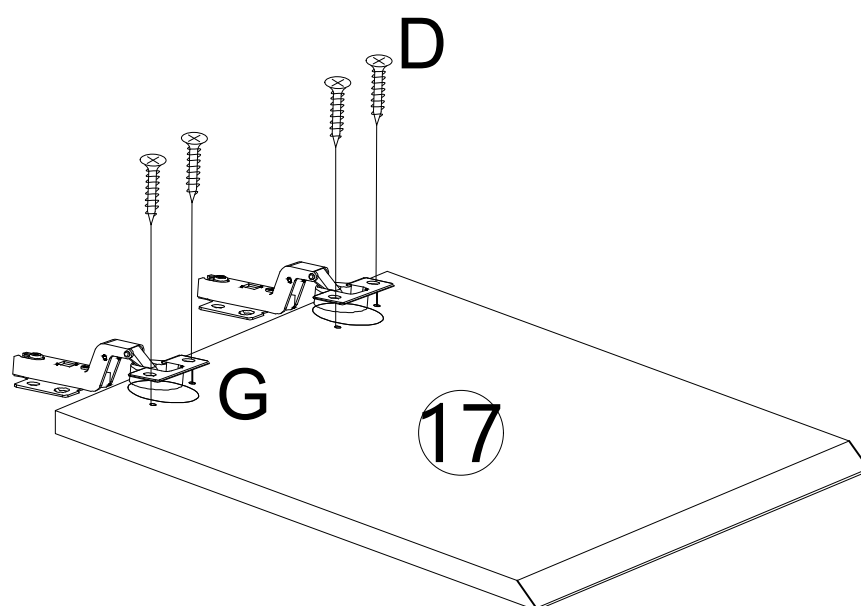
	D × 3PCS
	CR × 1PC

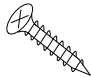
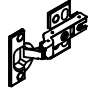
STEP 20



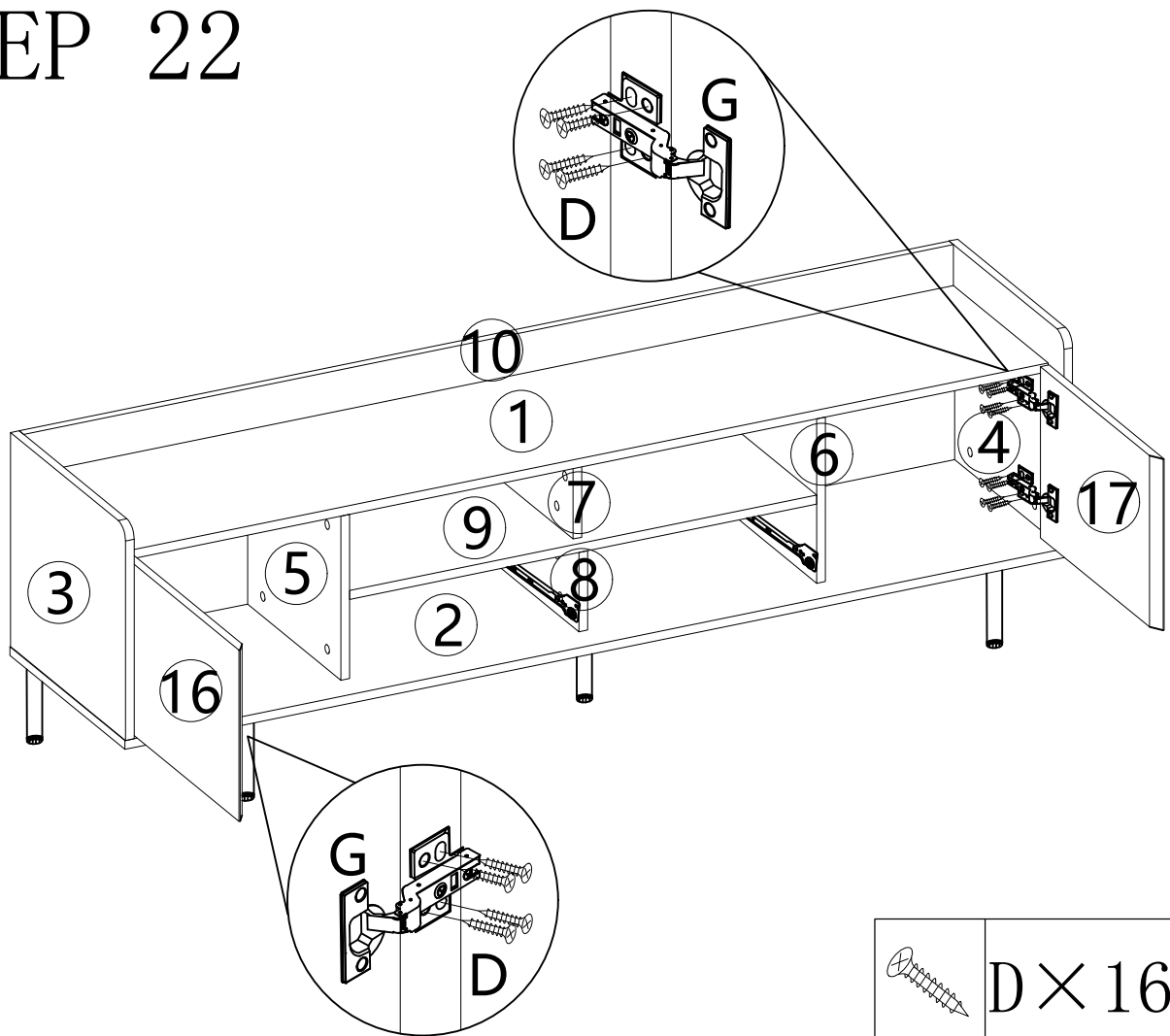
	D × 4PCS
	G × 2PCS

STEP 21

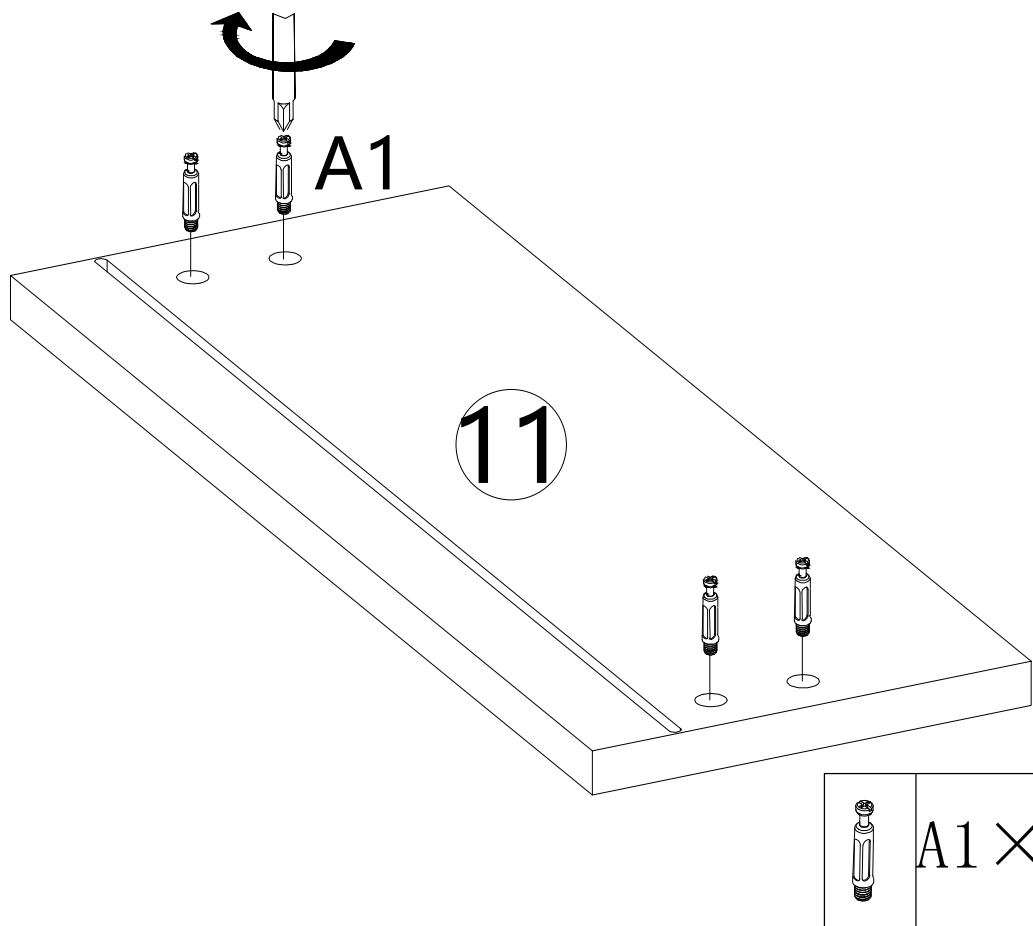


	D × 4PCS
	G × 2PCS

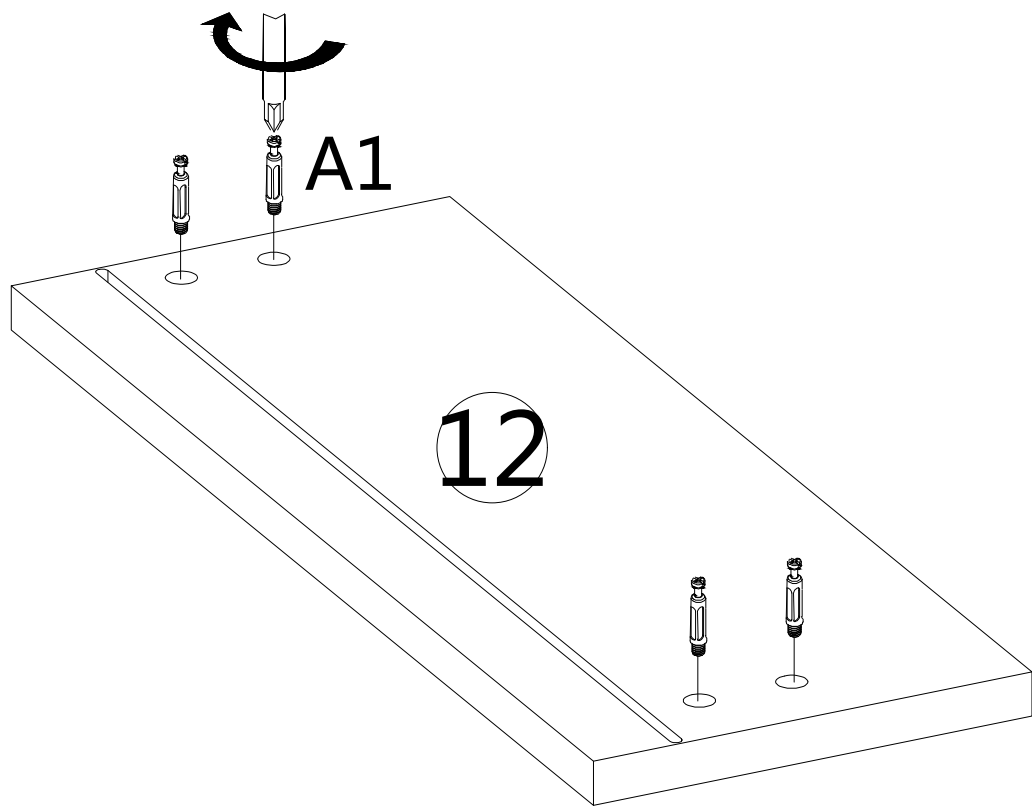
STEP 22




STEP 23



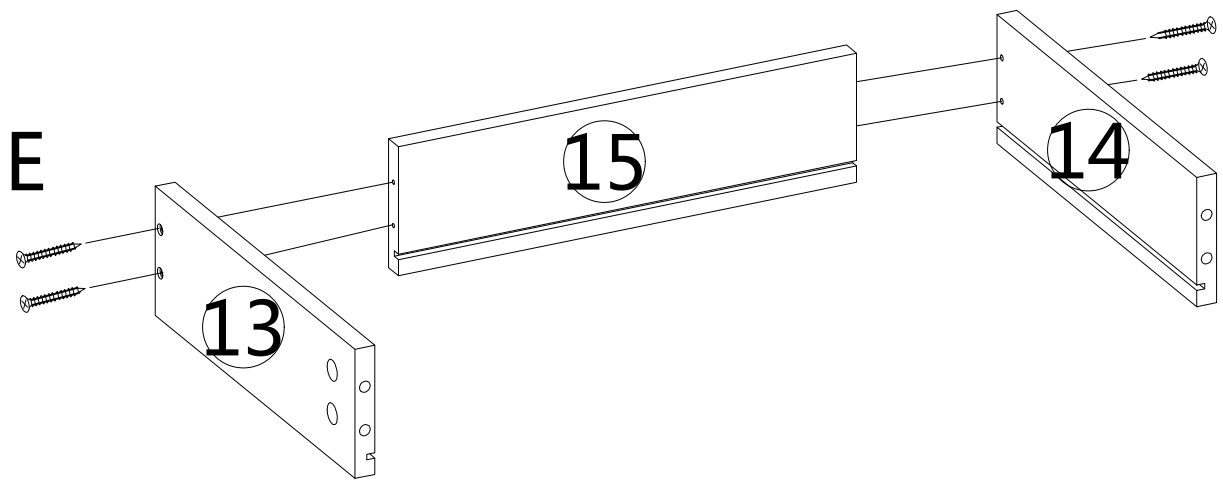
STEP 24




	A1 × 4PCS
---	-----------

STEP 25

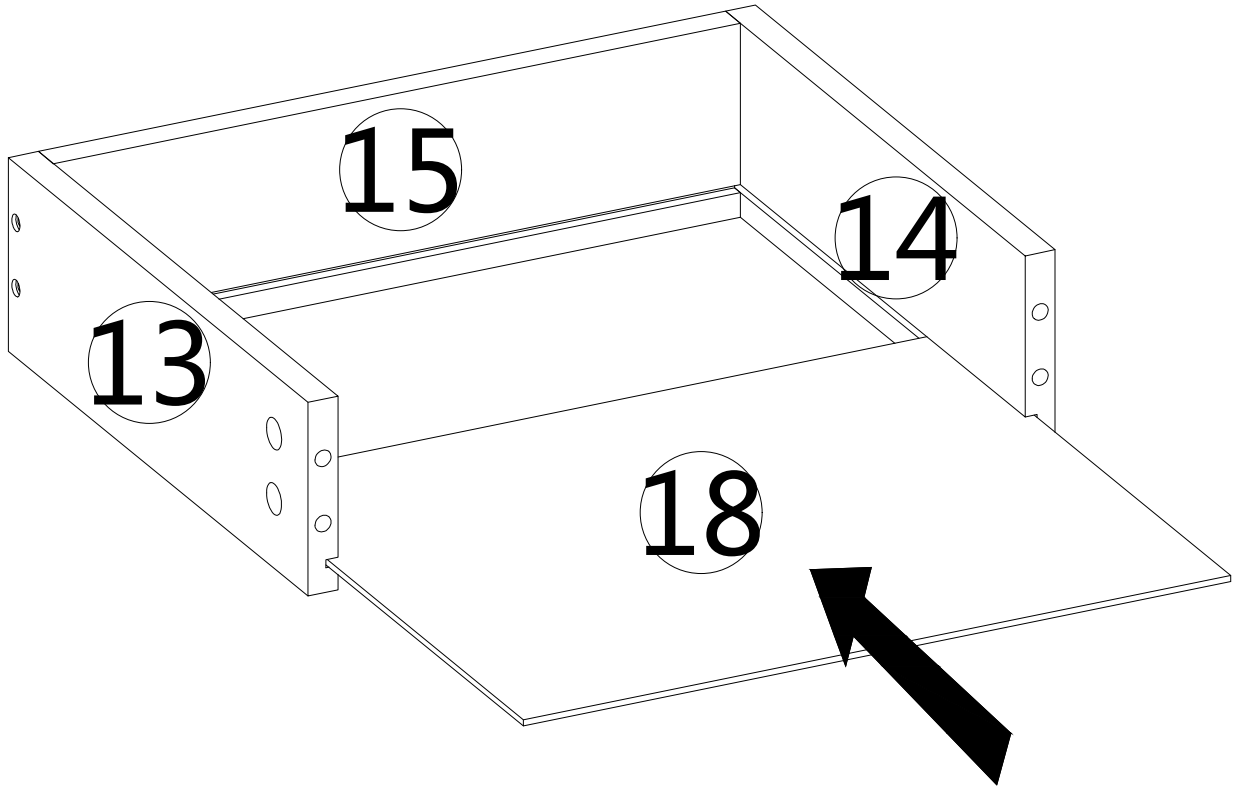
× 2



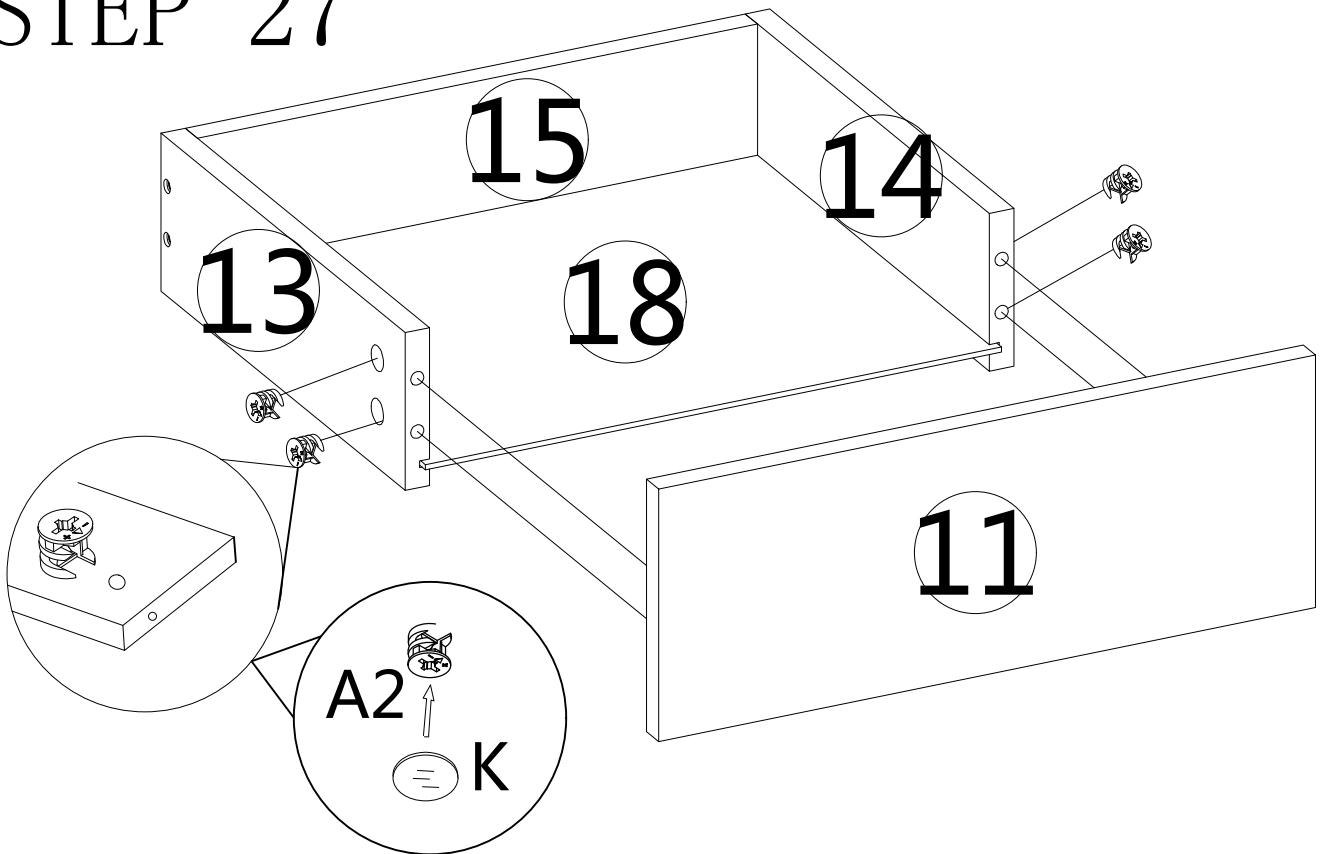
	E × 4PCS
---	----------



STEP 26

× 2

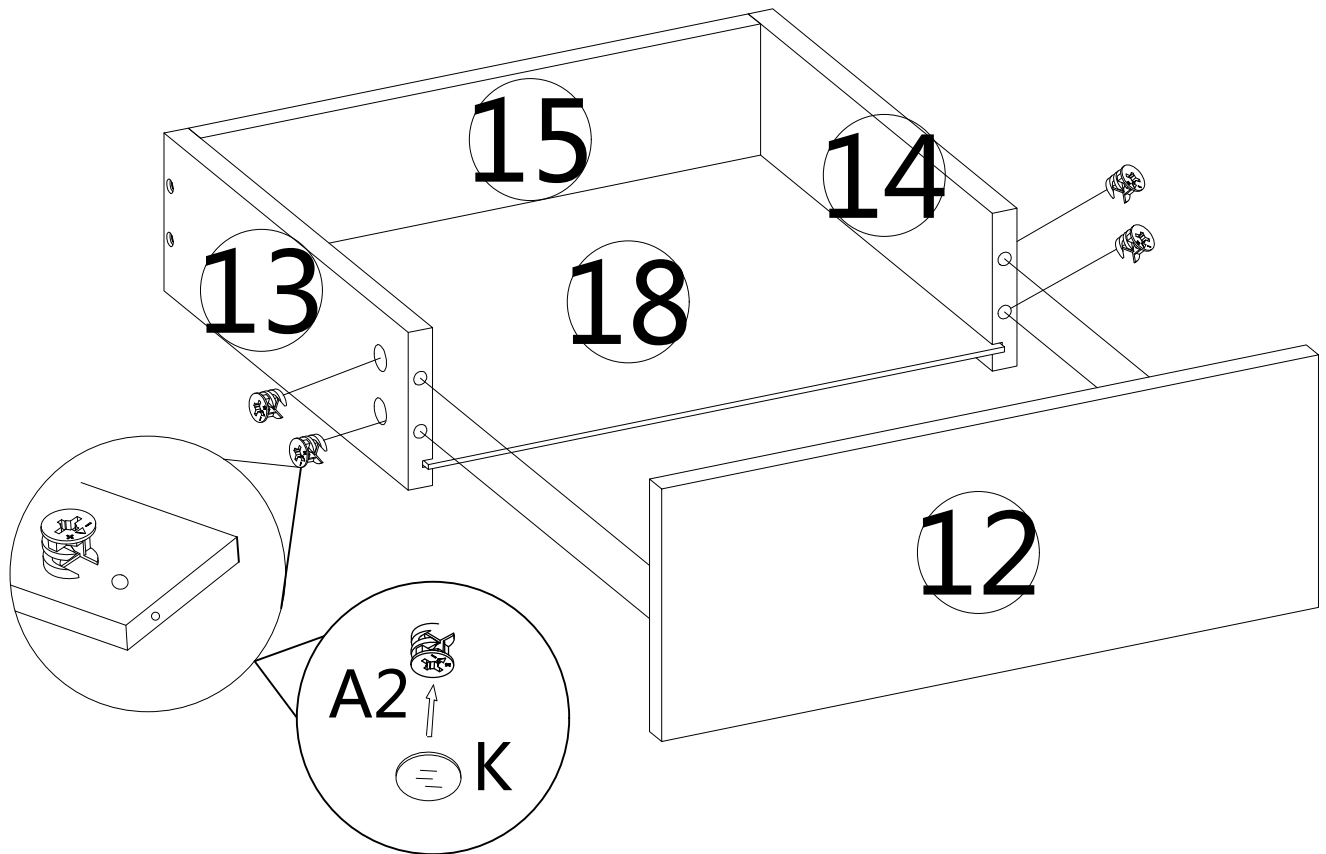




STEP 27



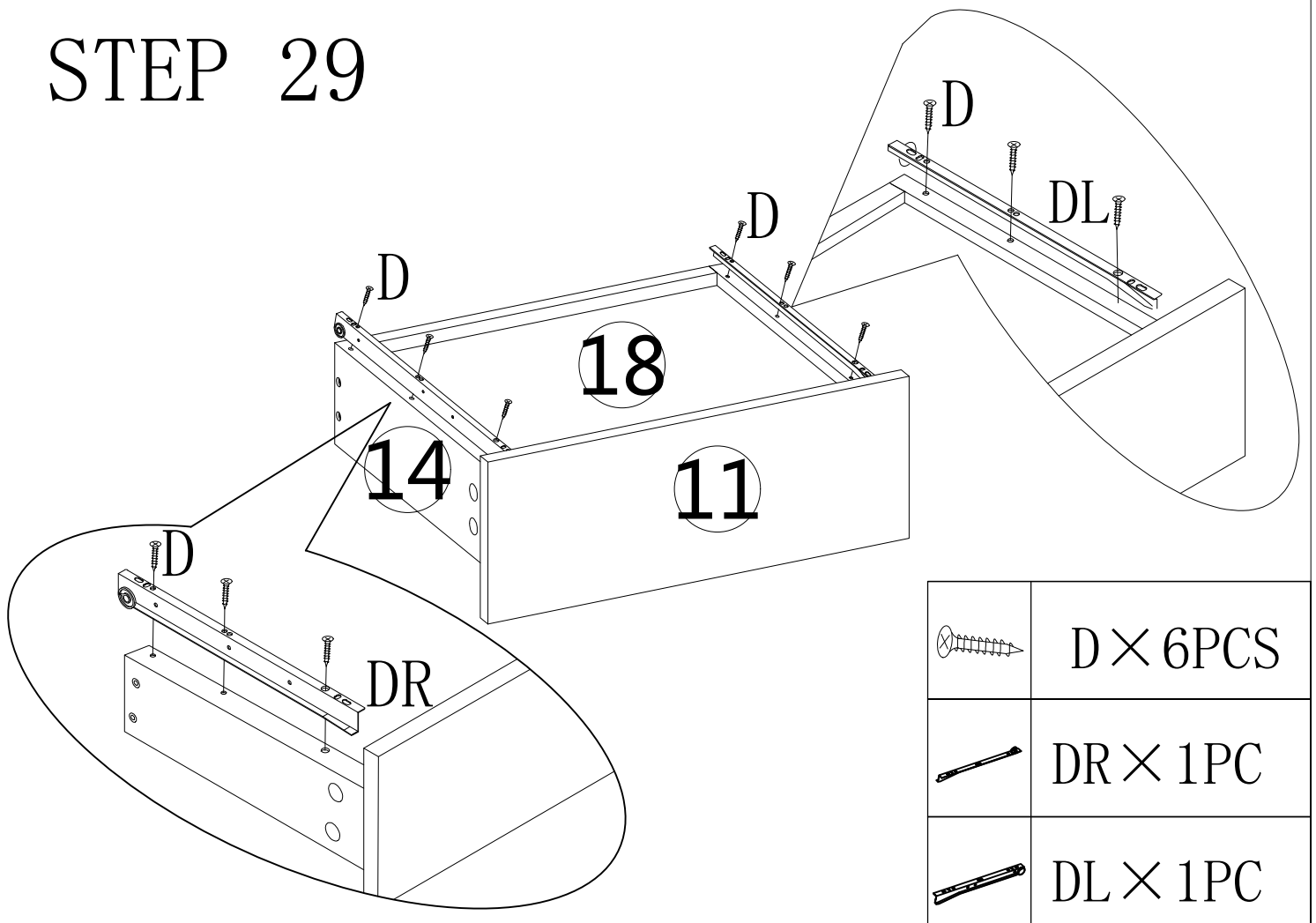
	A2 × 4PCS		K × 4PCS
---	-----------	---	----------

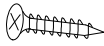


STEP 28



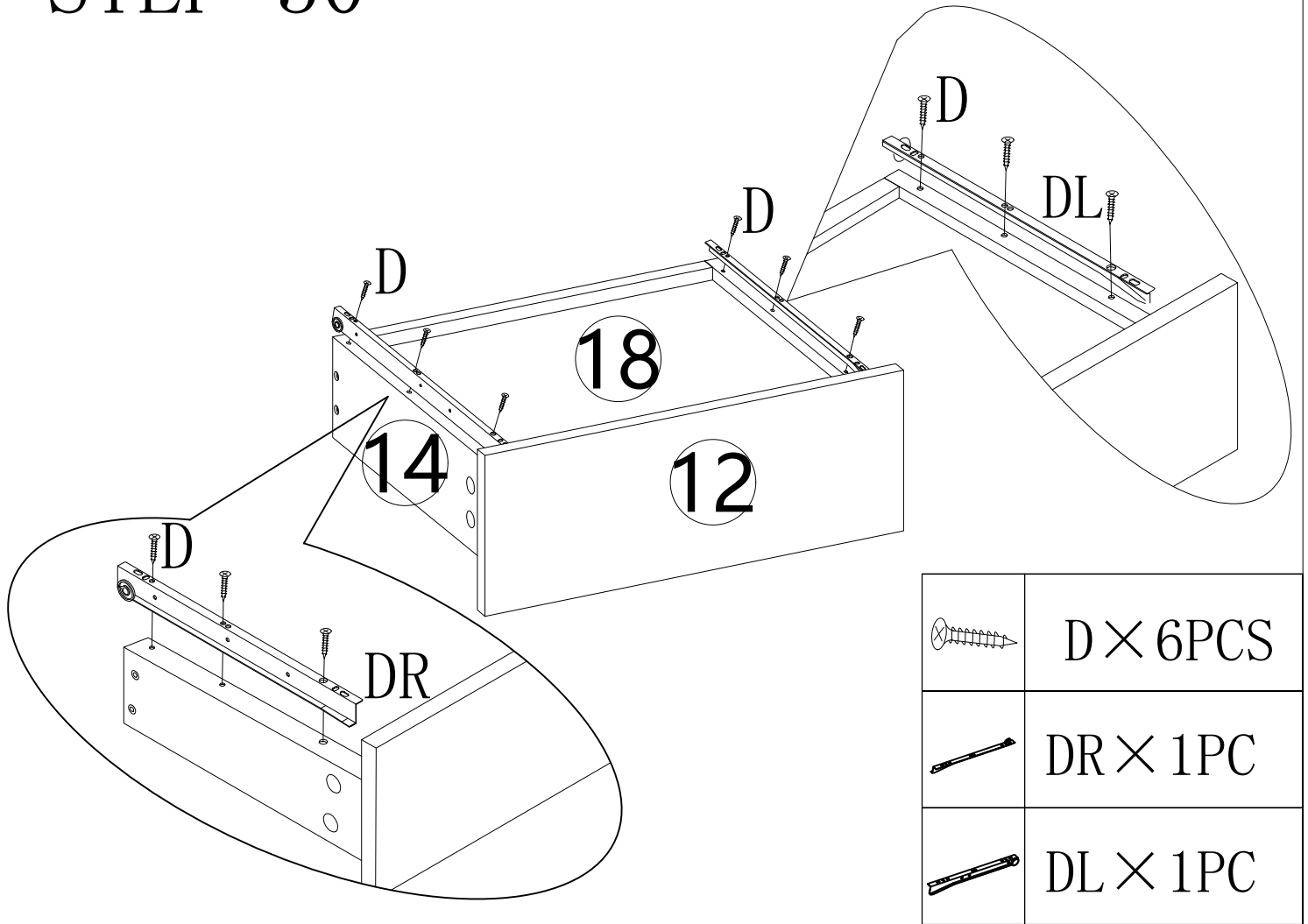
	A2 × 4PCS		K × 4PCS
---	-----------	---	----------

STEP 29

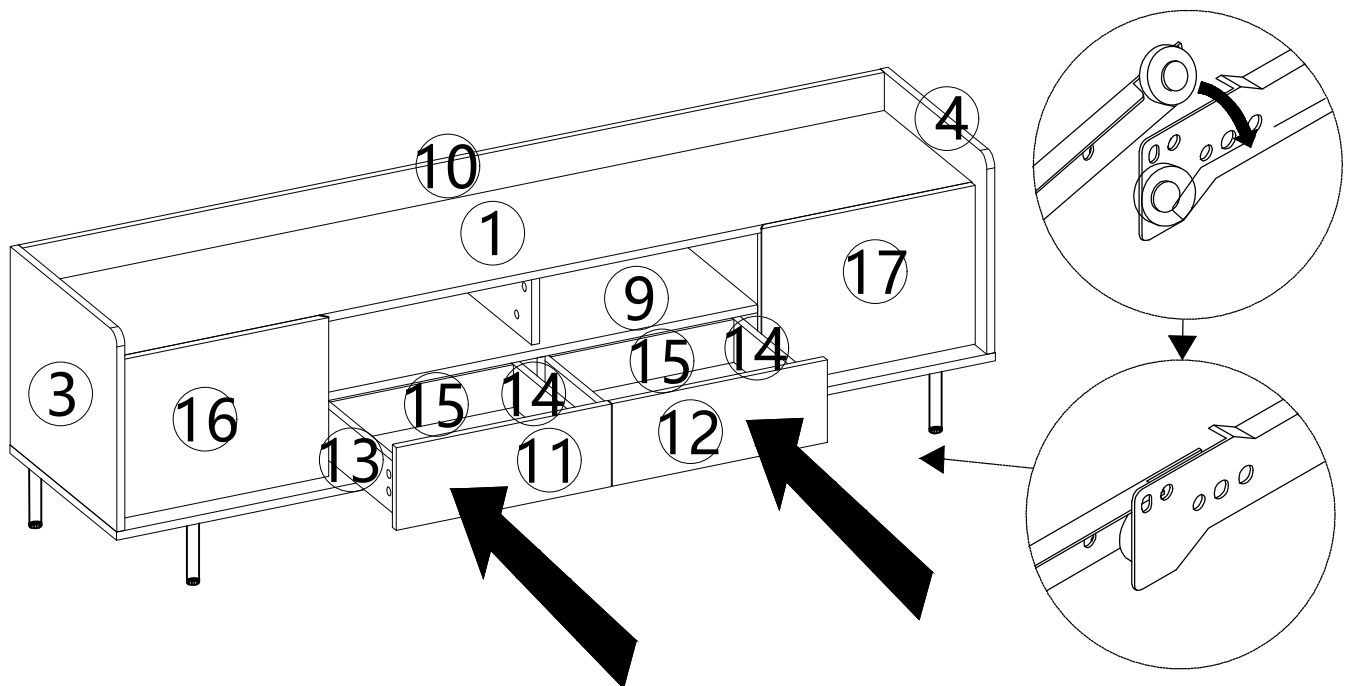


	D × 6PCS
	DR × 1PC
	DL × 1PC

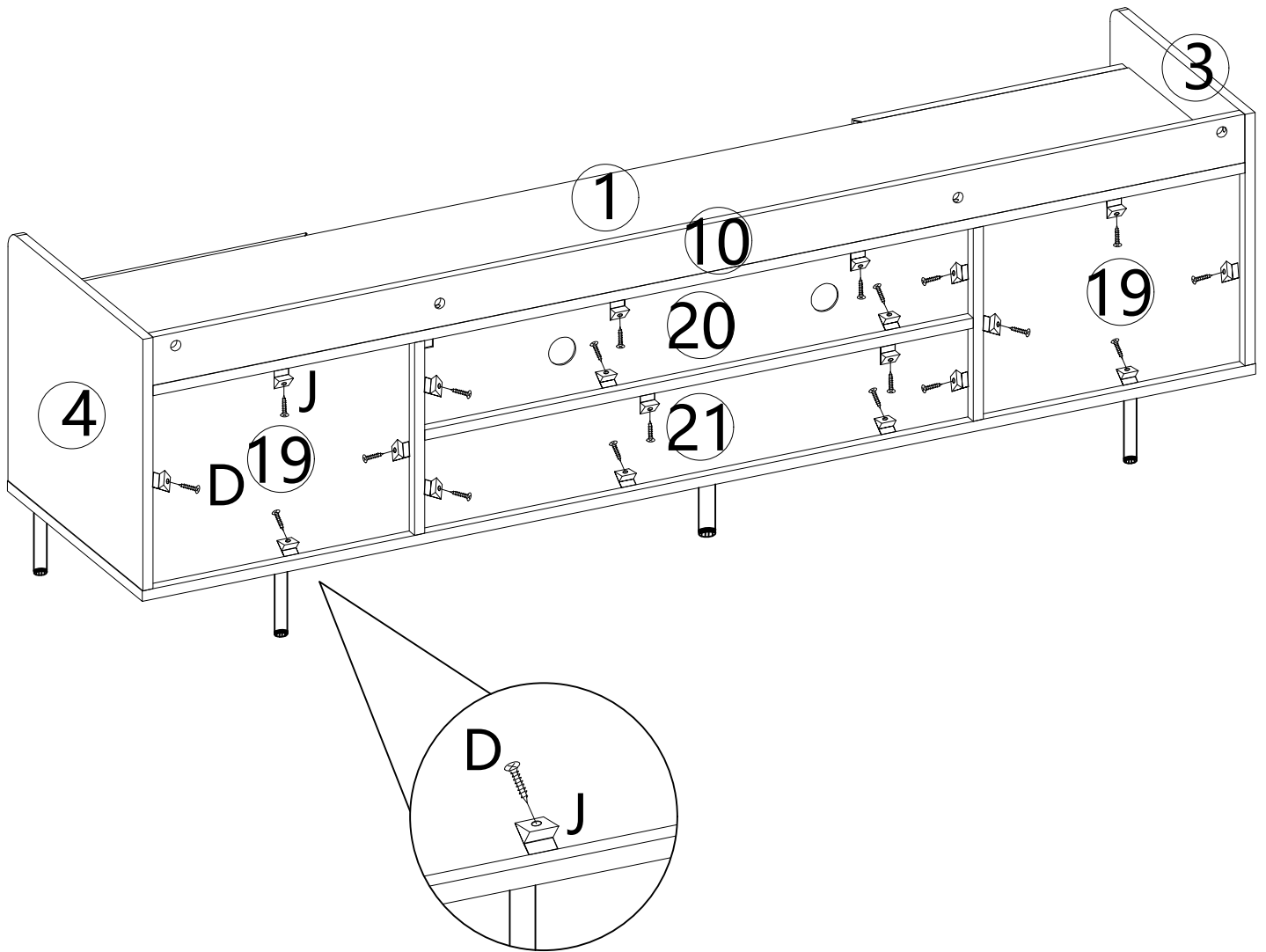
STEP 30

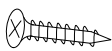
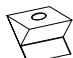


STEP 31

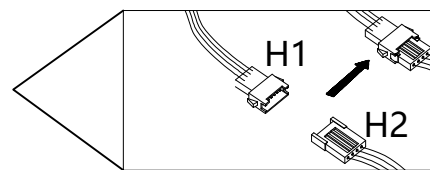
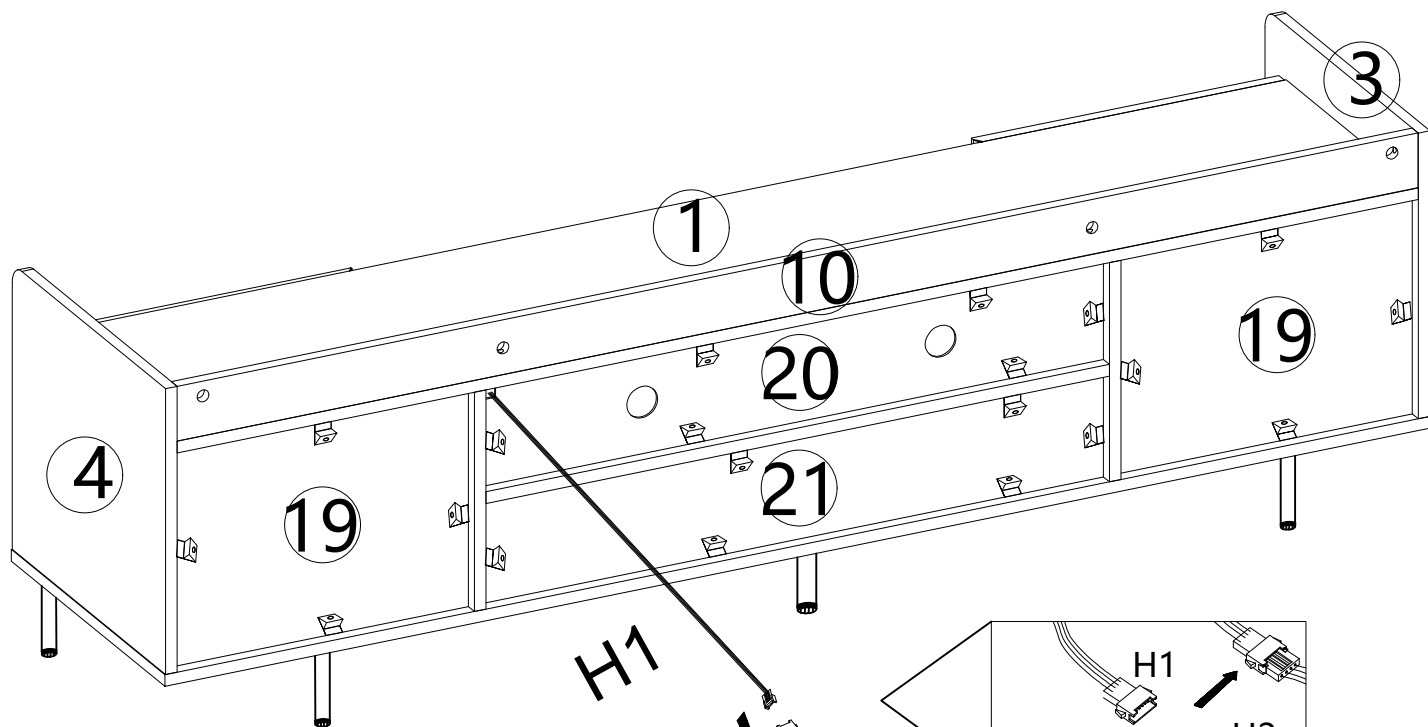


STEP 32

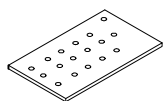
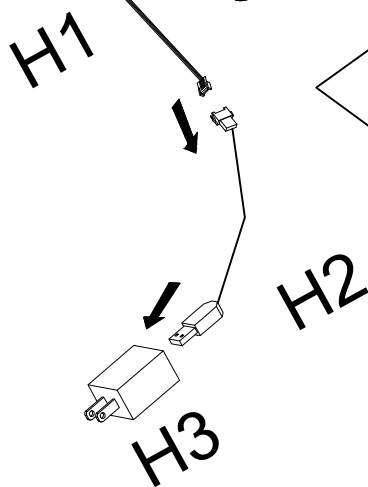


	D × 20PCS
	J × 20PCS

STEP 33






Make sure the arrows are in the same position !



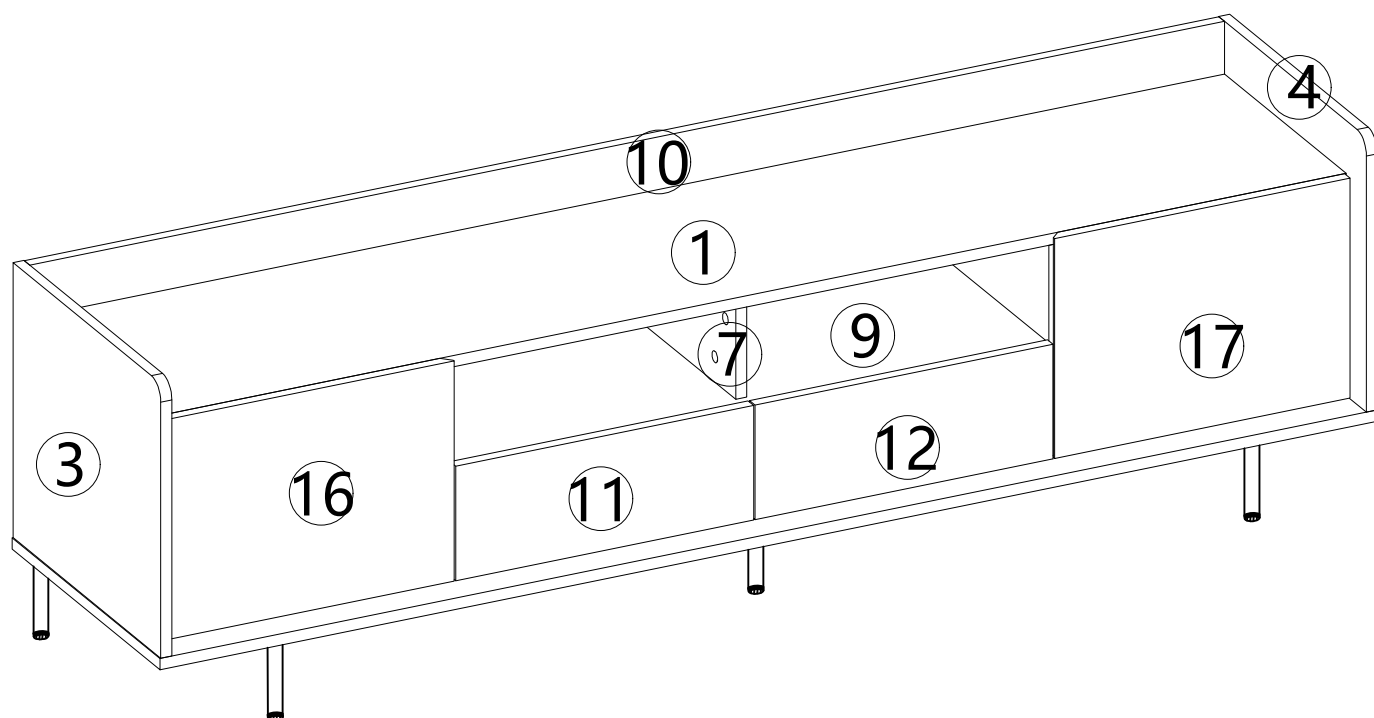
H4

Last: Plug the H3 into the power supply !
H4 can be adjusted !

H1 and H2 are connected;
H2 and H3 are connected;

	H2 × 1PC
	H3 × 1PC
	H4 × 1PC

STEP 34

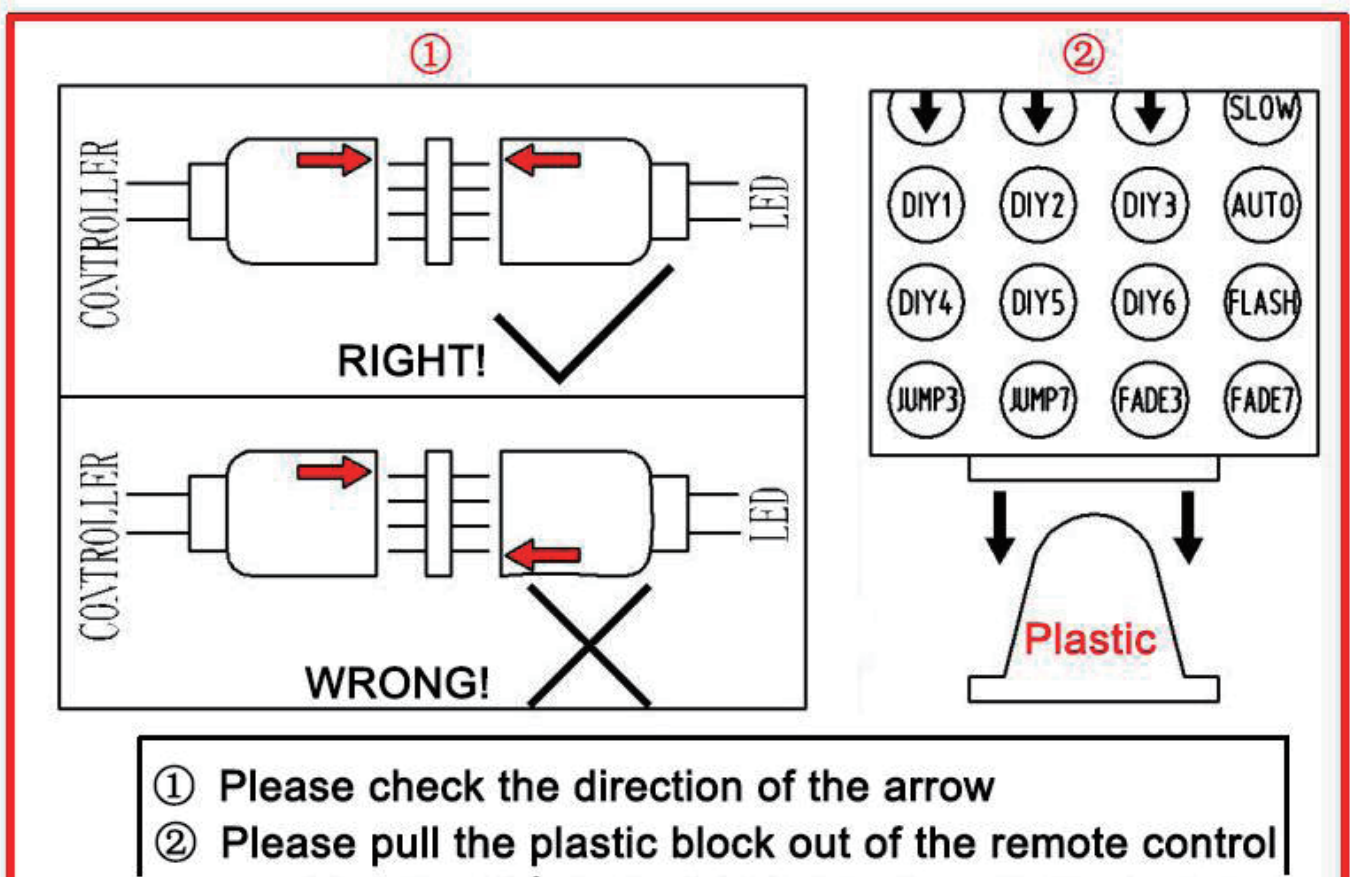


Finally, 11/12/16/17 the protective film on the surface needs to be removed !

LED Light

If you can't let the lights work successfully, please check the following:

1. Please check the direction of the connect, try it in the opposite direction, according to the following picture.
2. Please check the remote control, it need you to tear down the plastic septum before use it.
3. Don't let the remote control too far from the receiver, make sure there is no obstruction between them.



END

