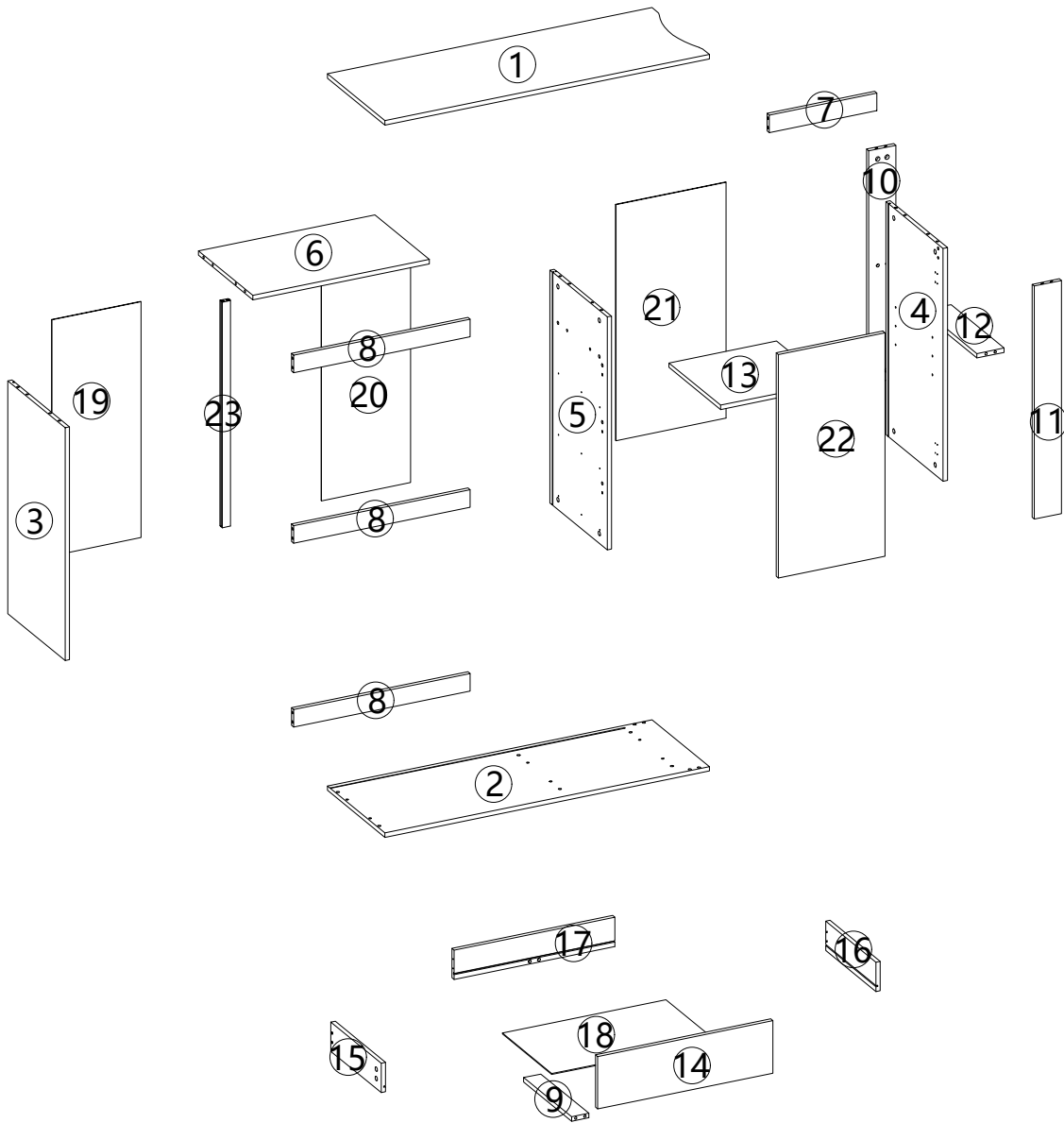


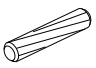
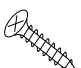
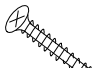
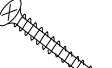
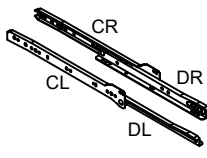


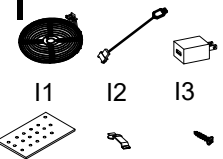
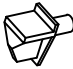
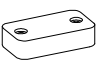

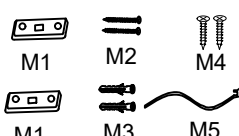

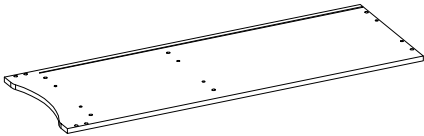
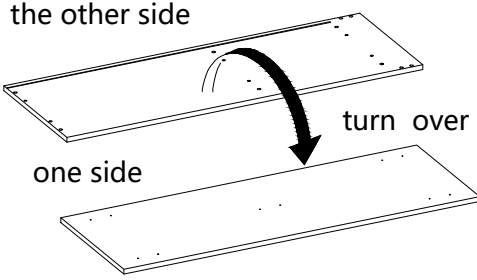
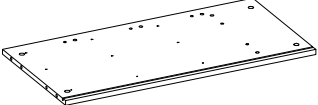
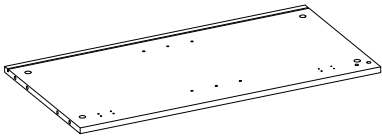
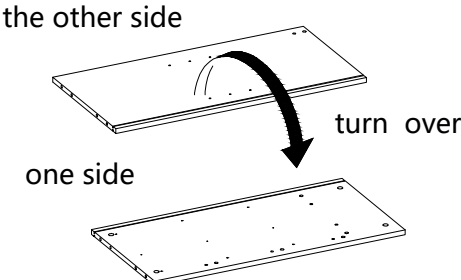
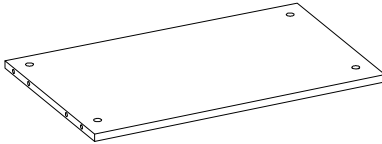
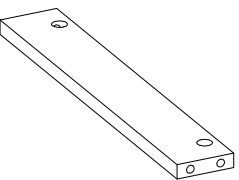
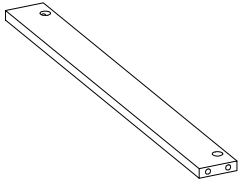
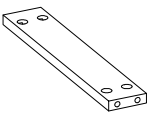
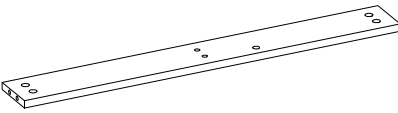
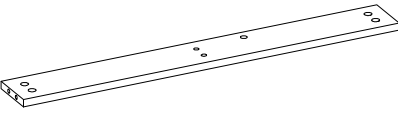


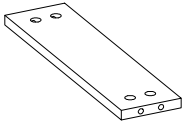
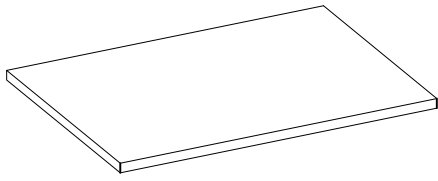
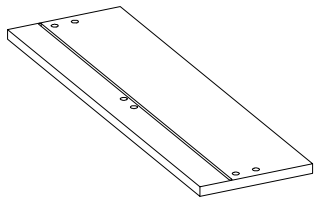
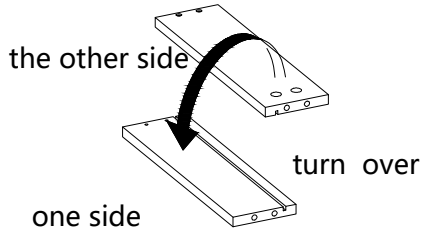
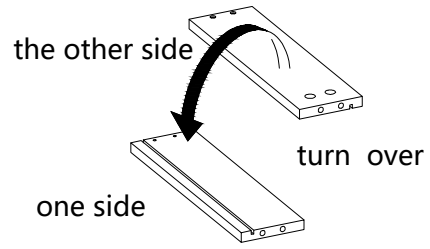
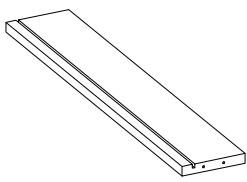
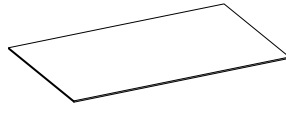
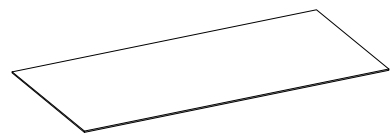
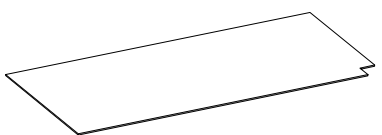
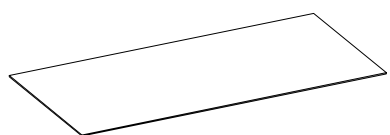
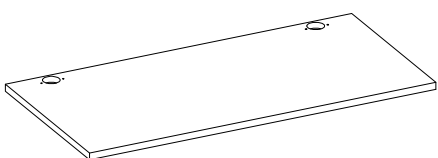

DS-SB006W



× 3

<p><b>A</b></p>  <p>φ7*40mm A1</p>  <p>φ15*11mm A2 60PCS</p>	<p><b>B</b></p>  <p>φ8*30mm 24PCS</p>	<p><b>C</b></p>  <p>φ3.5*14mm 62PCS</p>	<p><b>D</b></p>  <p>φ3.5*25mm 10PCS</p>	<p><b>E</b></p>  <p>φ3.5*35mm 12PCS</p>	<p><b>F</b></p>  <p>CR CL DR DL L=350mm 3PCS</p>	<p><b>G</b> Insert</p>  <p>φ35mm 2PCS</p>
<p><b>H</b></p>  <p>L=389mm 1PC</p>	<p><b>I</b></p>  <p>I1 I2 I3 I4 I5*4 I6*4 1PC</p>	<p><b>J</b></p>  <p>4PCS</p>	<p><b>K</b></p>  <p>5PCS</p>	<p><b>L</b></p>  <p>14PCS</p>	<p><b>M</b></p>  <p>M1 M2 M3 M4 M5 2PCS</p>	<p><b>N</b></p>  <p>φ21mm 60PCS</p>

<p>1</p>  <p>1130*400*15mm 1PC</p>	<p>2</p>  <p>1130*400*15mm 1PC</p>	<p>3</p>  <p>795*399.5*15mm 1PC</p>
<p>4</p>  <p>795*399.5*15mm 1PC</p>	<p>5</p>  <p>795*399.5*15mm 1PC</p>	
<p>6</p>  <p>614.5*379*15mm 1PC</p>	<p>7</p>  <p>375*60*15mm 1PC</p>	<p>8</p>  <p>614.5*60*15mm 3PCS</p>
<p>9</p>  <p>285*60*15mm 3PCS</p>	<p>10</p>  <p>795*94*15mm 1PC</p>	<p>11</p>  <p>795*94*15mm 1PC</p>

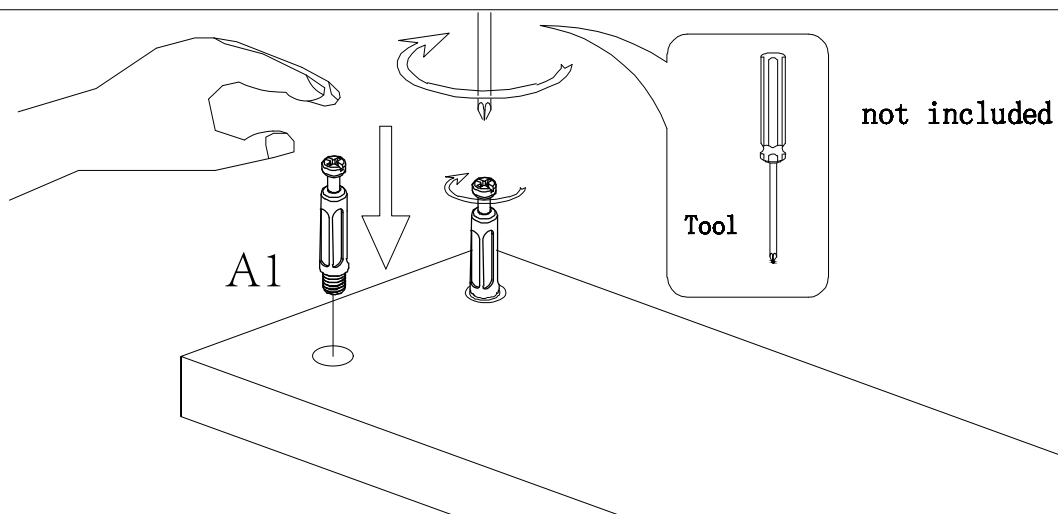
<p>12</p>  <p>369*94*15mm 1PC</p>	<p>13</p>  <p>373*362.5*15mm 1PC</p>	<p>14</p>  <p>610.5*179*15mm 3PCS</p>
<p>15</p>  <p>350*100*15mm 3PCS</p>	<p>16</p>  <p>350*100*15mm 3PCS</p>	<p>17</p>  <p>559.5*100*15mm 3PCS</p>
<p>18</p>  <p>345*569.5*3mm 3PCS</p>	<p>19</p>  <p>805*310.5*3mm 1PC</p>	<p>20</p>  <p>805*310.5*3mm 1PC</p>
<p>21</p>  <p>805*384*3mm 1PC</p>	<p>22</p>  <p>763*371*15mm 1PC</p>	<p>23</p>  <p>L=793mm 1PC</p>

# Hardware installation demonstration

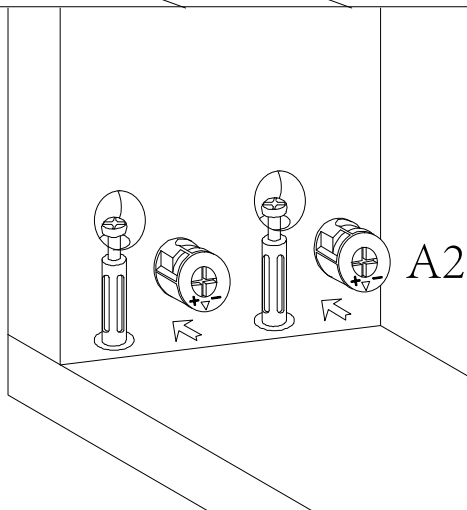


NOTE: Please make sure "A1" hardware tightened and can't be pulled out!

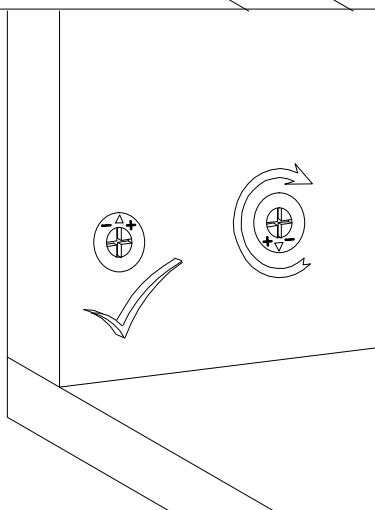
I



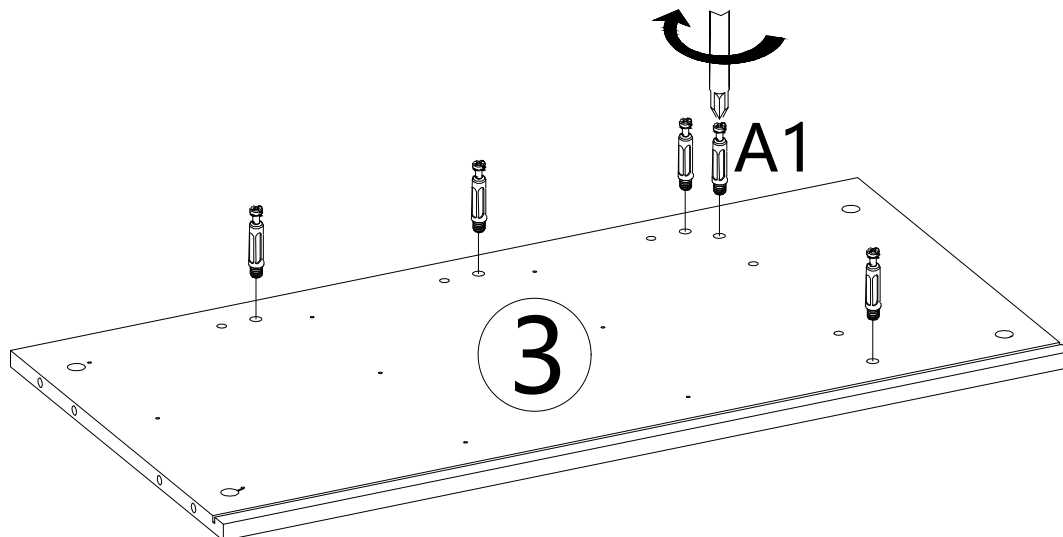
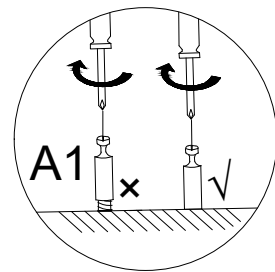
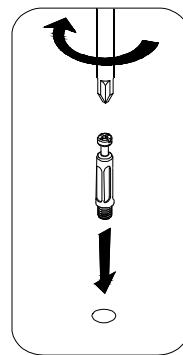
II



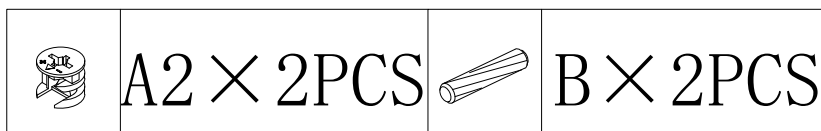
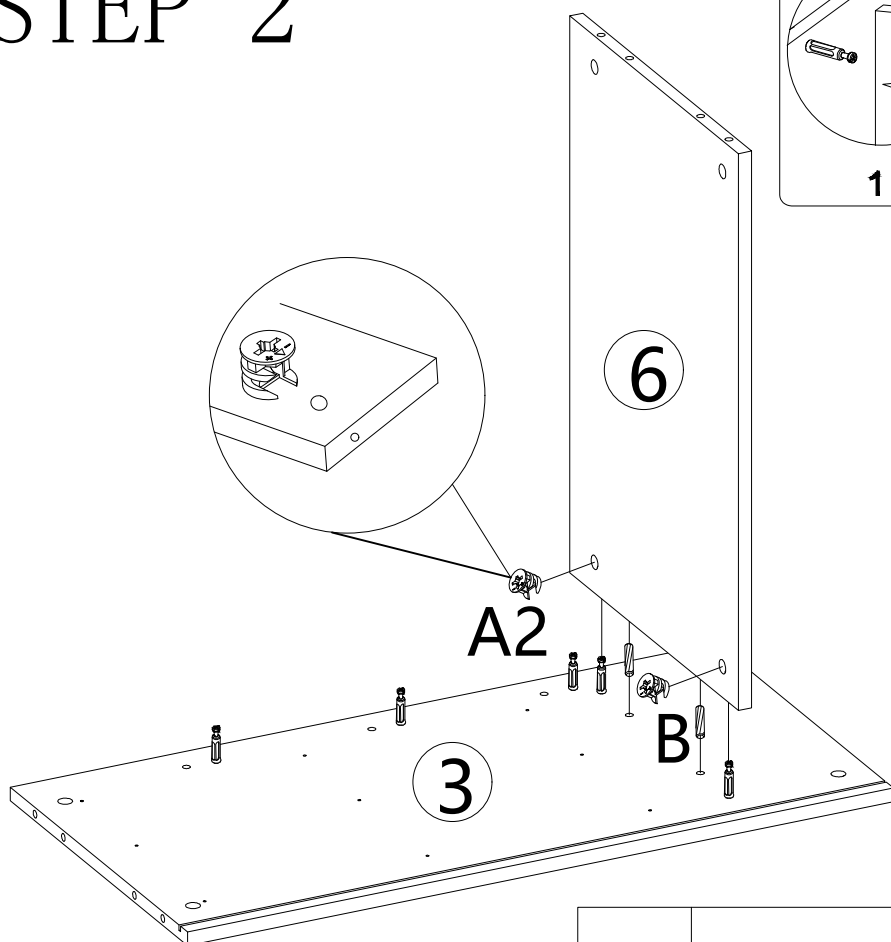
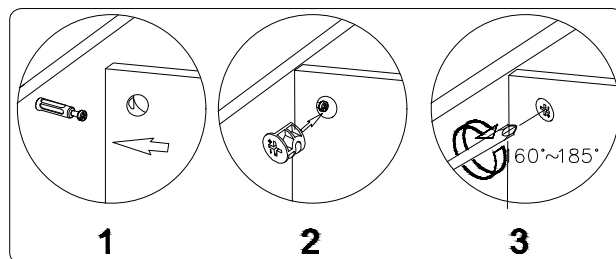
III



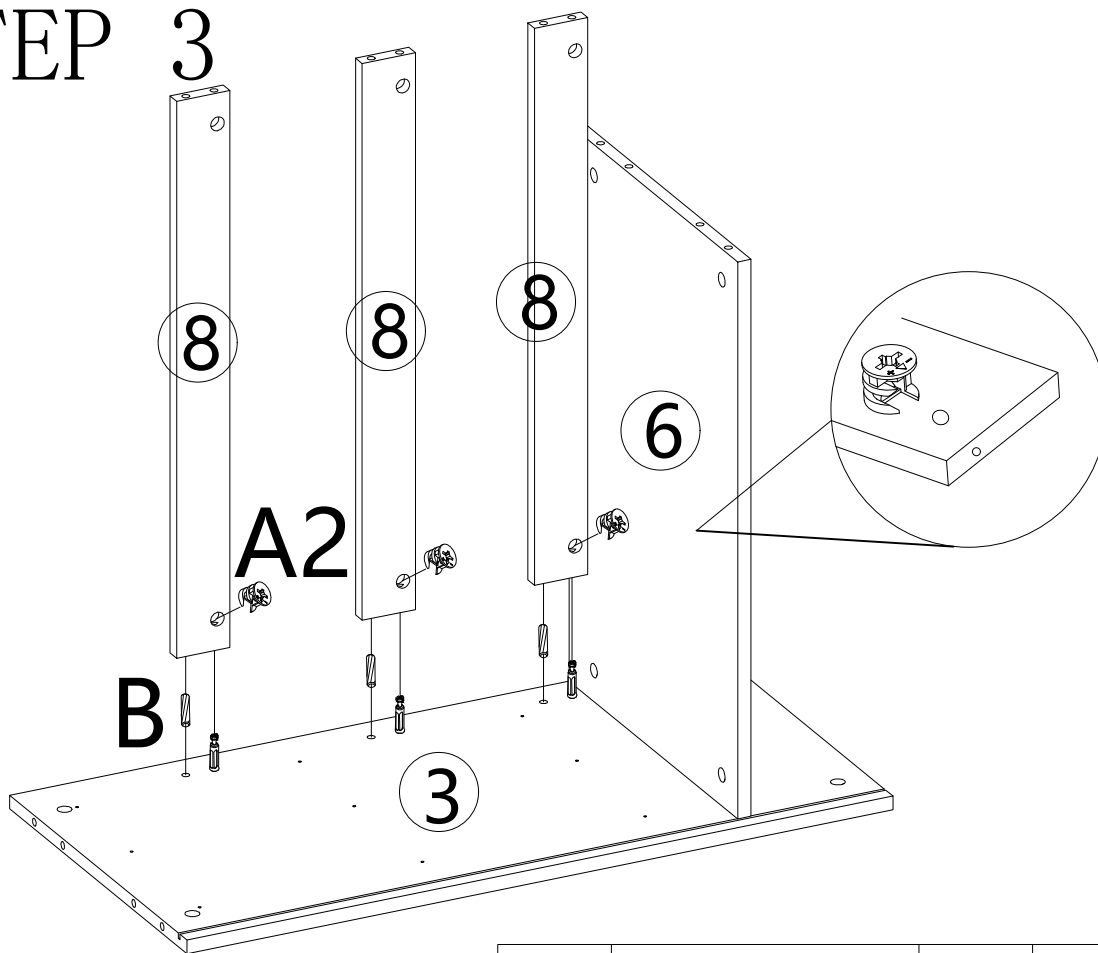
# STEP 1


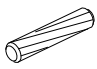


# STEP 2

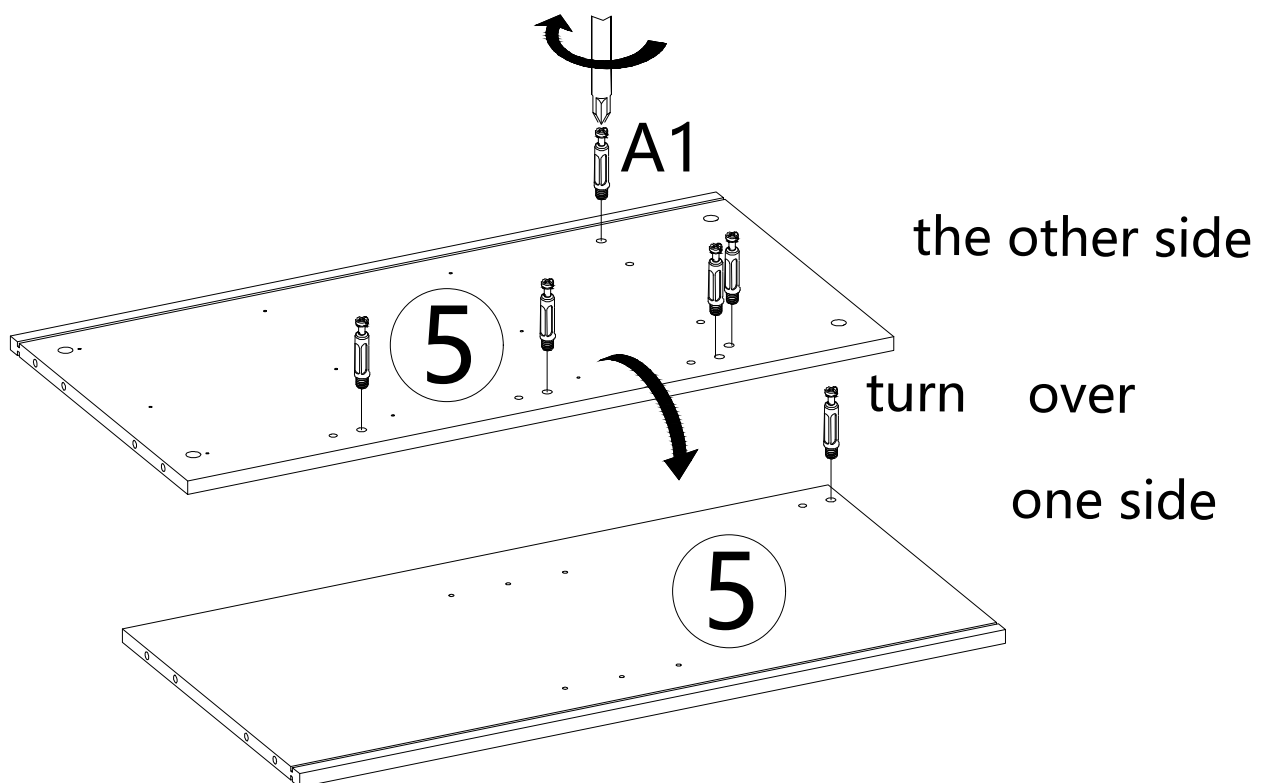


# STEP 3



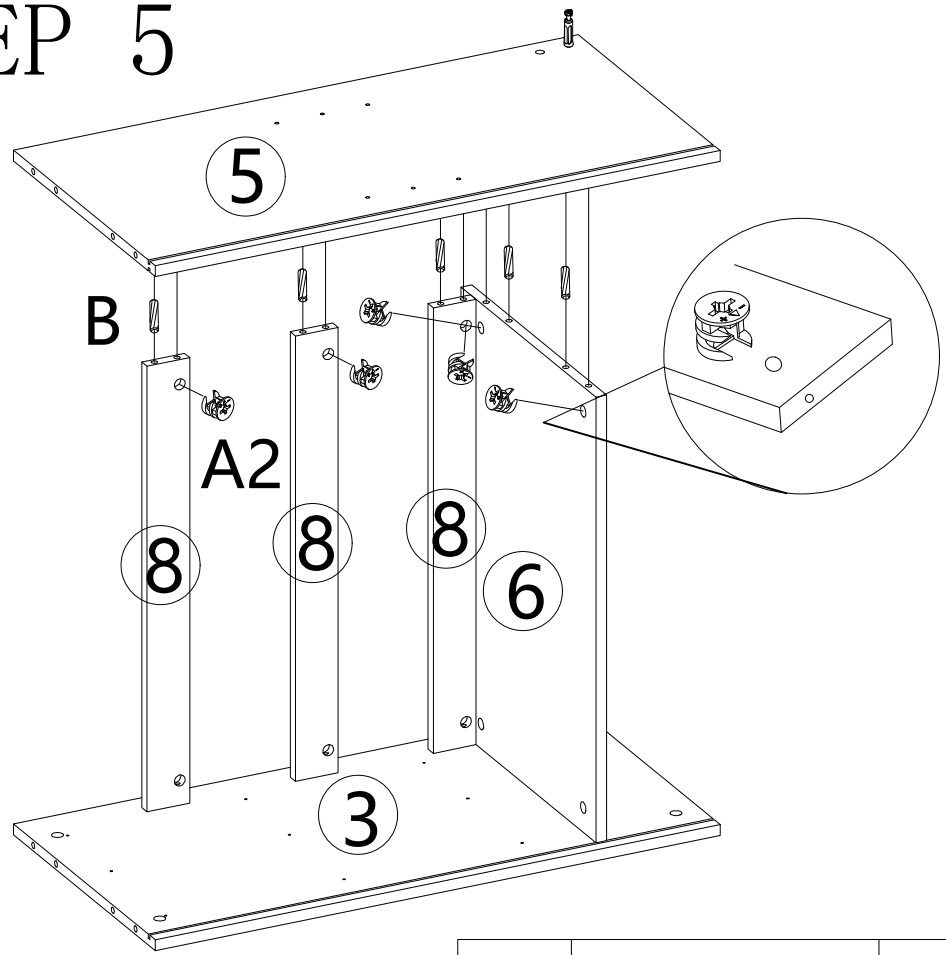
	A2 × 3PCS		B × 3PCS
---	-----------	---	----------


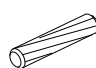
# STEP 4



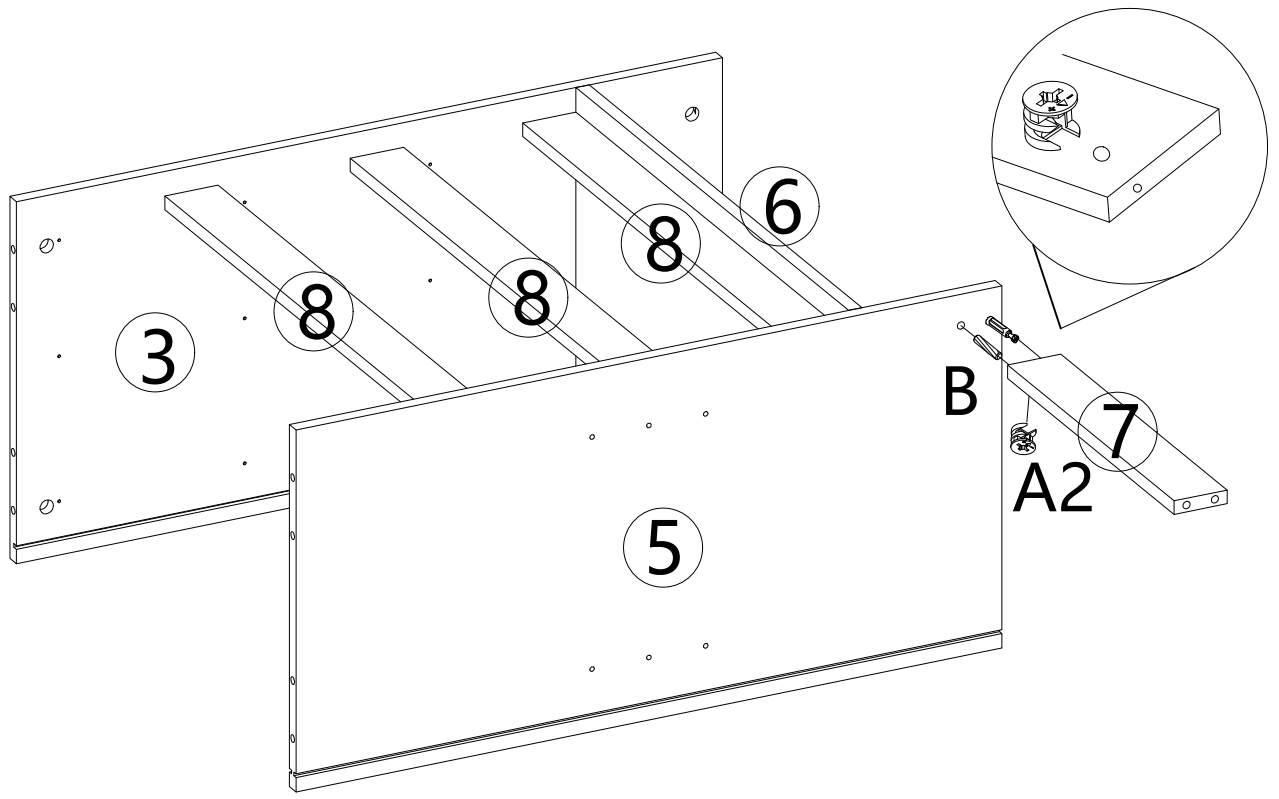
	A1 × 6PCS
---	-----------


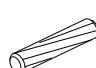
# STEP 5



	A2 × 5PCS		B × 5PCS
---	-----------	---	----------

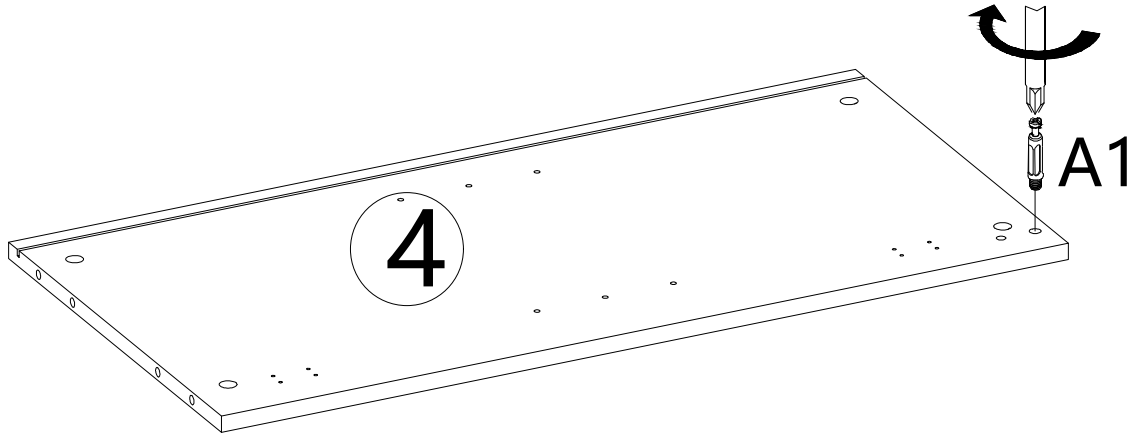
# STEP 6



	A2 × 1PC		B × 1PC
---	----------	---	---------

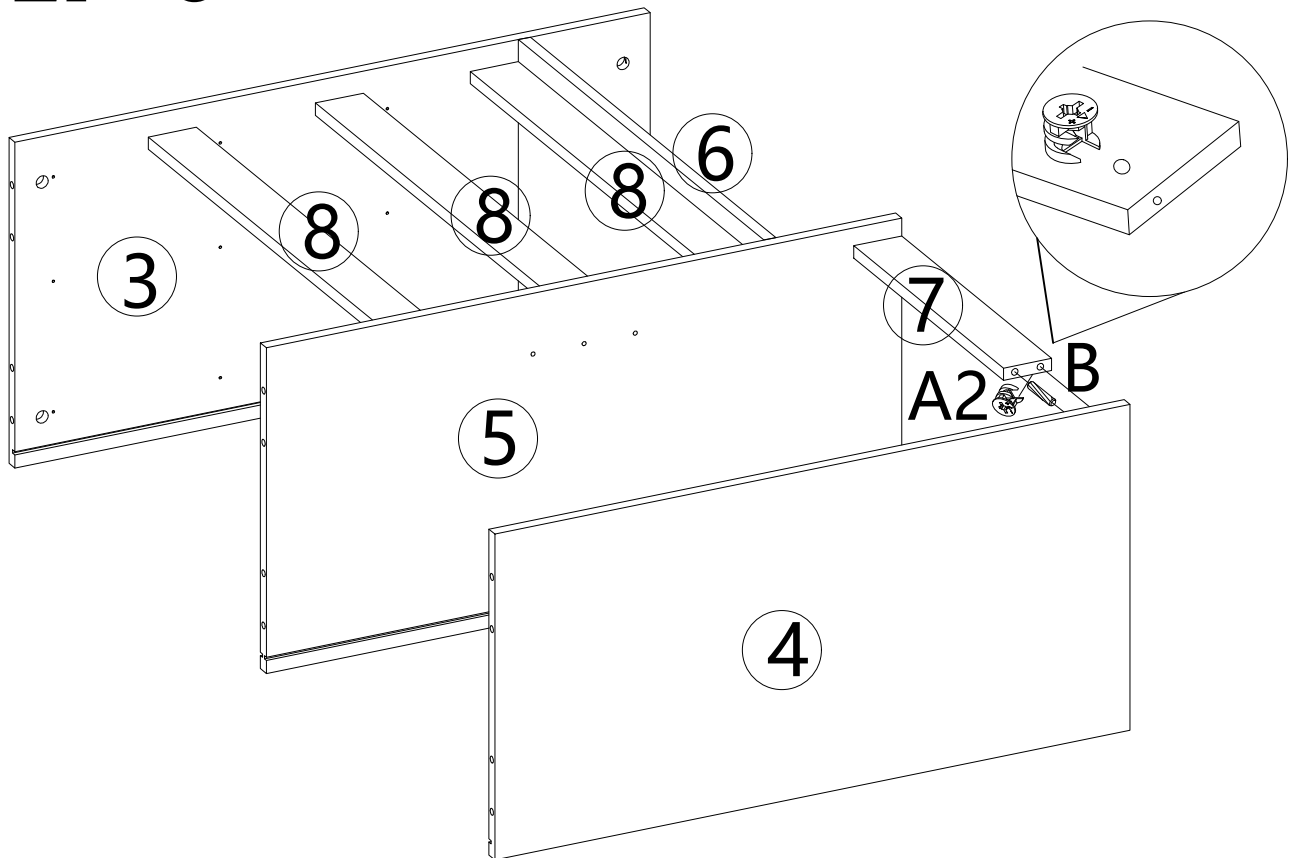



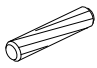
# STEP 7



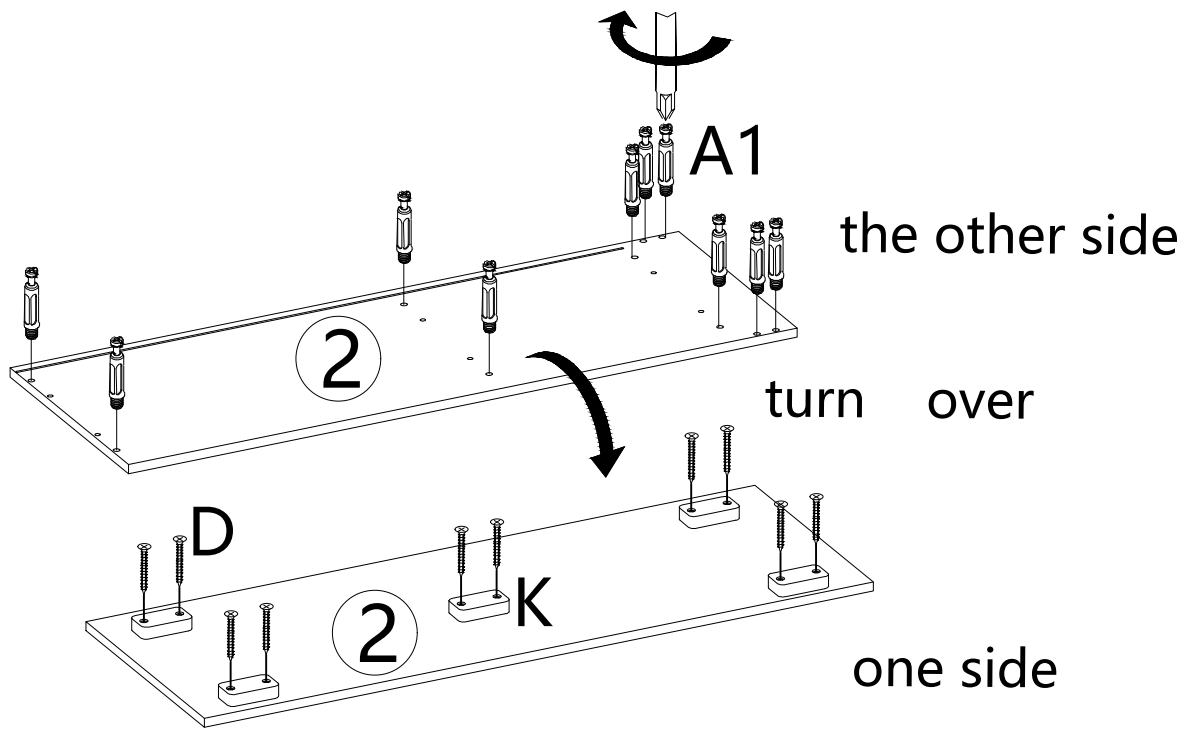
	A1 × 1PC
---	----------


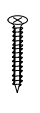

# STEP 8



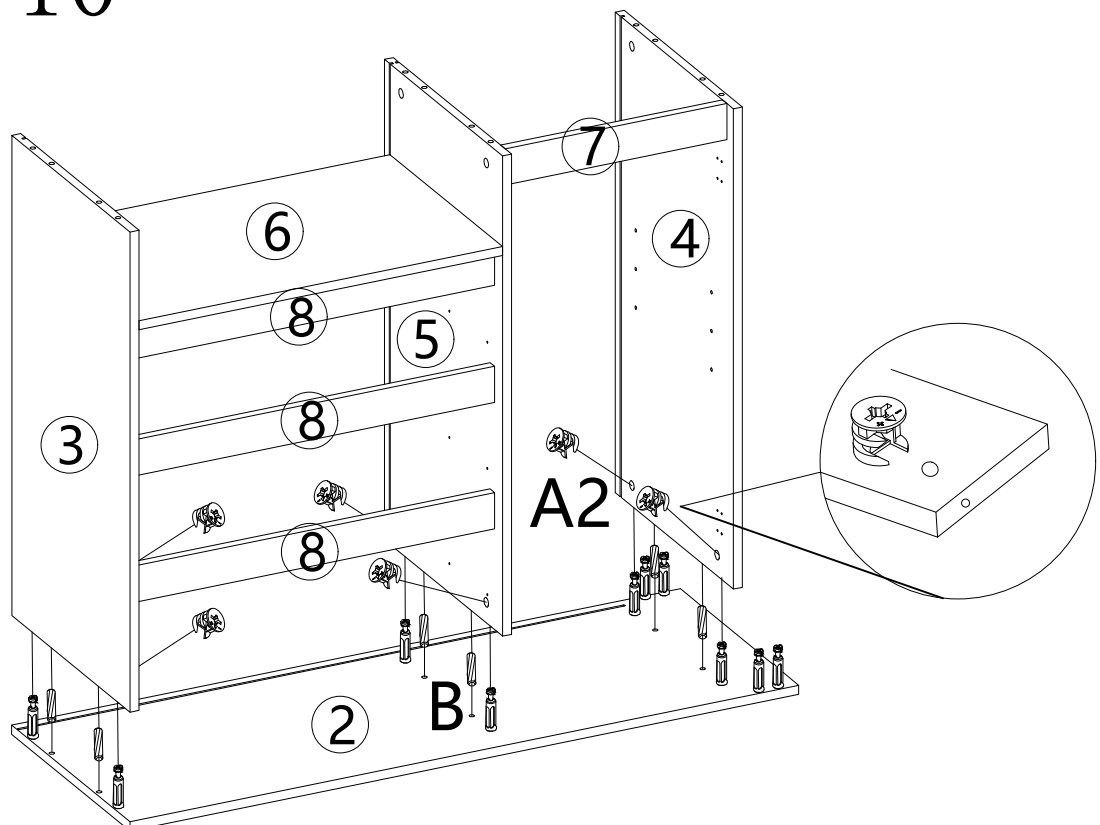
	A2 × 1PC		B × 1PC
---	----------	---	---------


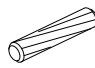
# STEP 9



	A1 × 10PCS		D × 10PCS		K × 5PCS
--	------------	--	-----------	---	----------

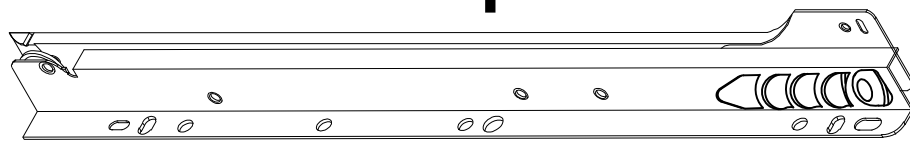
# STEP 10



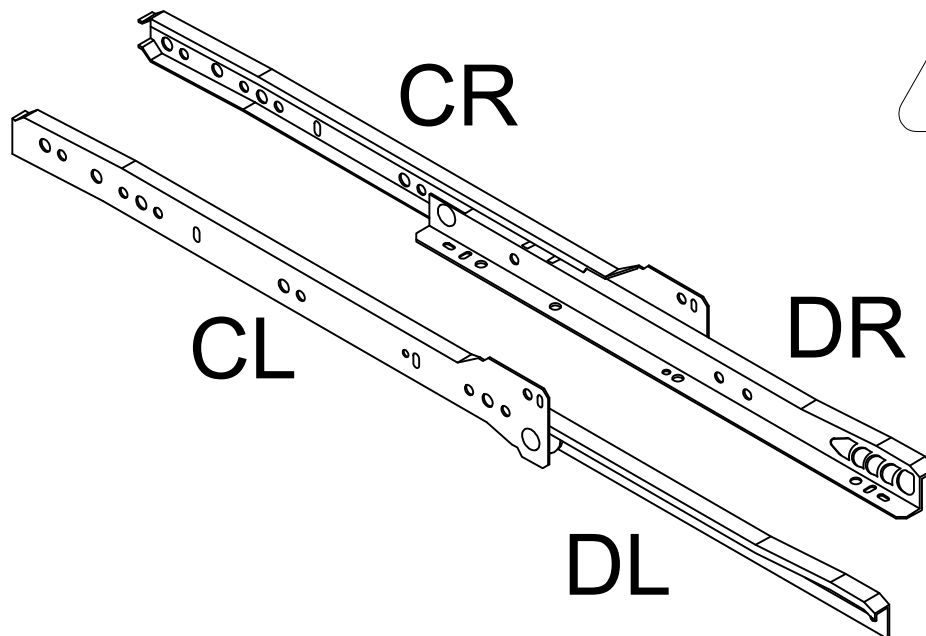
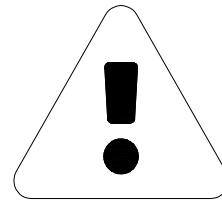
	A2 × 6PCS		B × 6PCS
---	-----------	---	----------

# STEP 11

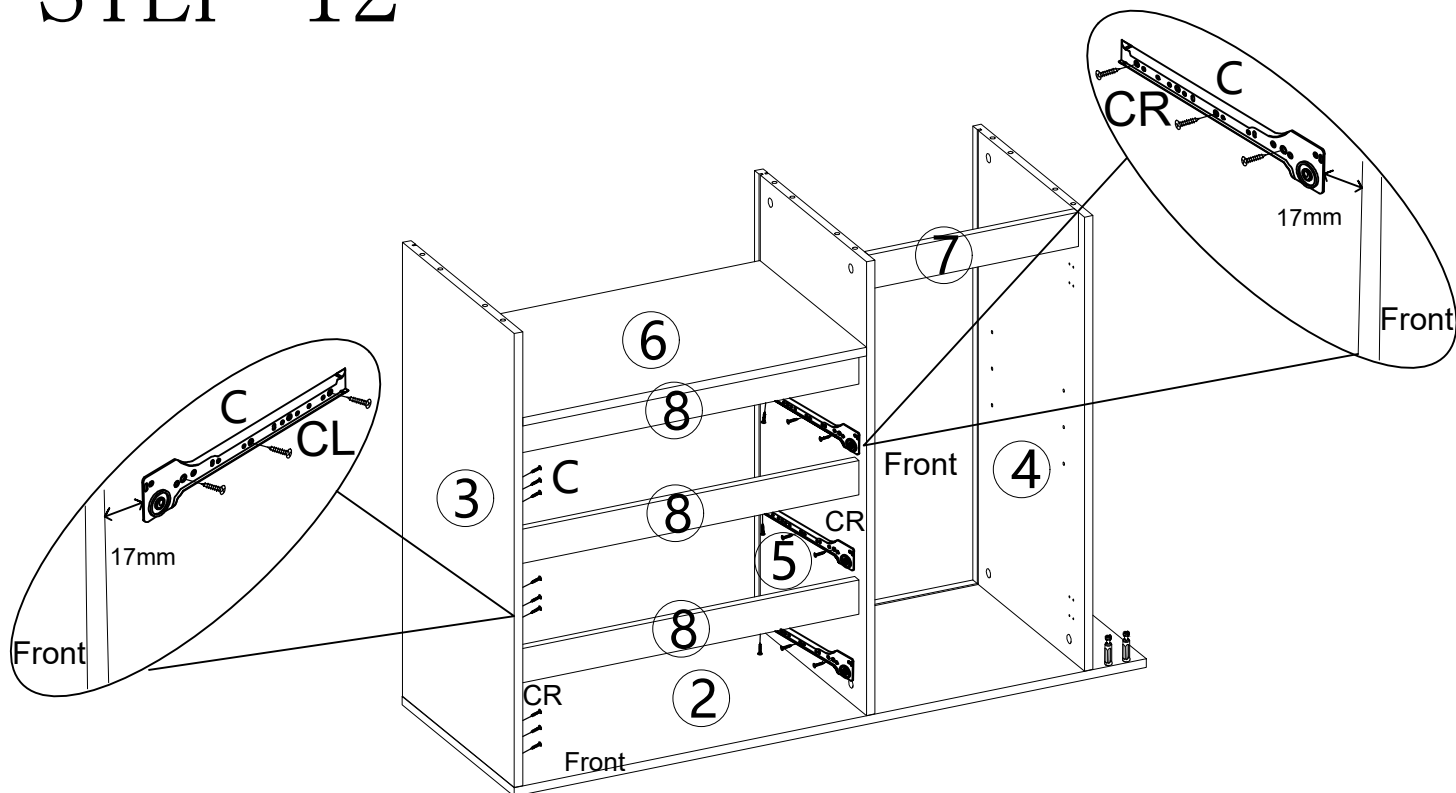
**F**



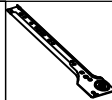
**CR**



# STEP 12



C × 18PCS

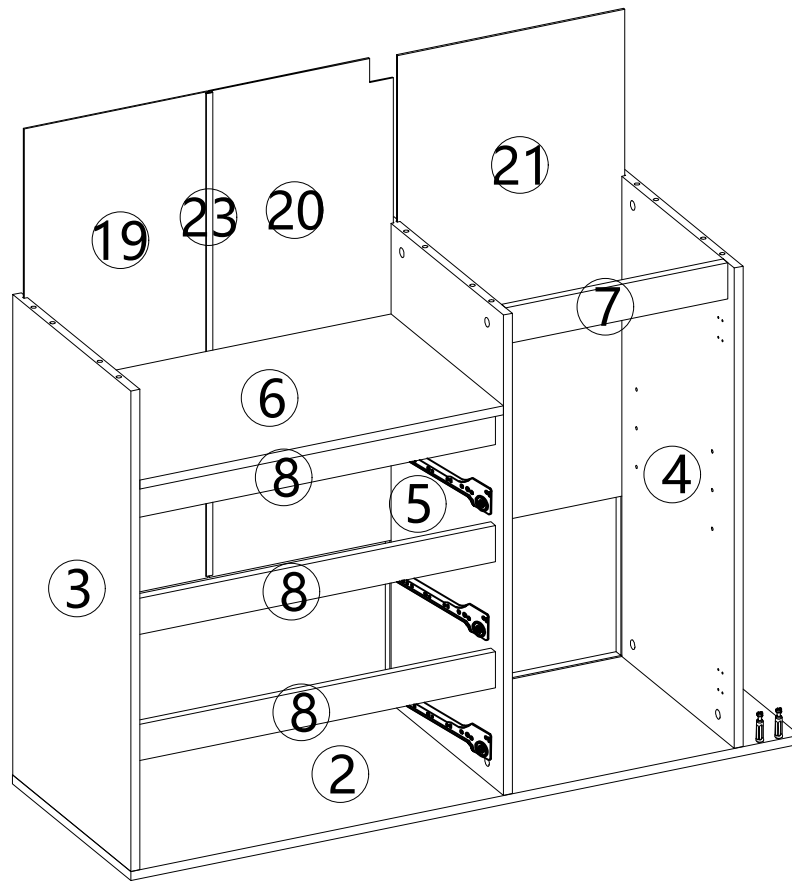


CL × 3PCS

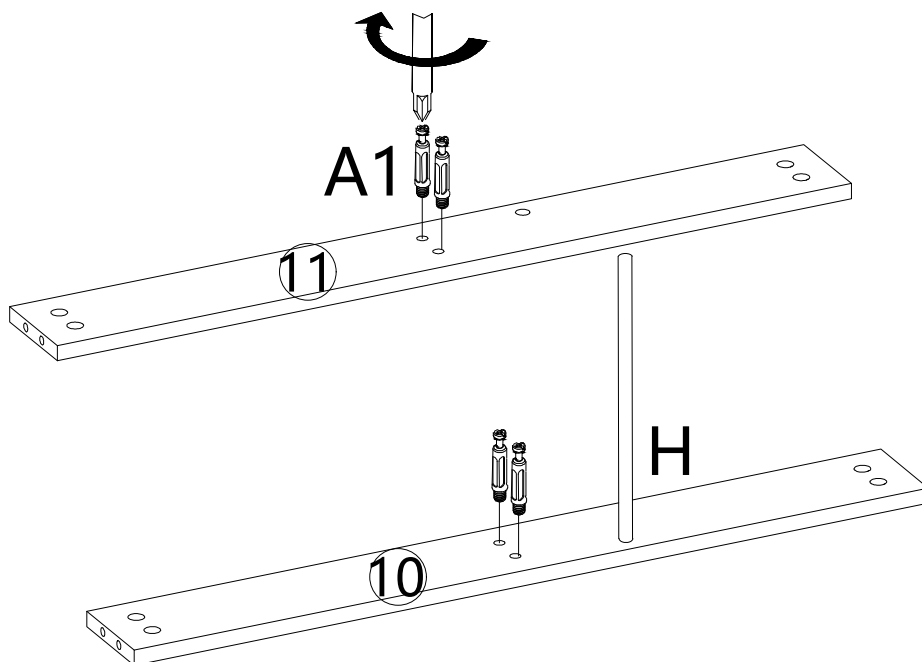


CR × 3PCS

# STEP 13

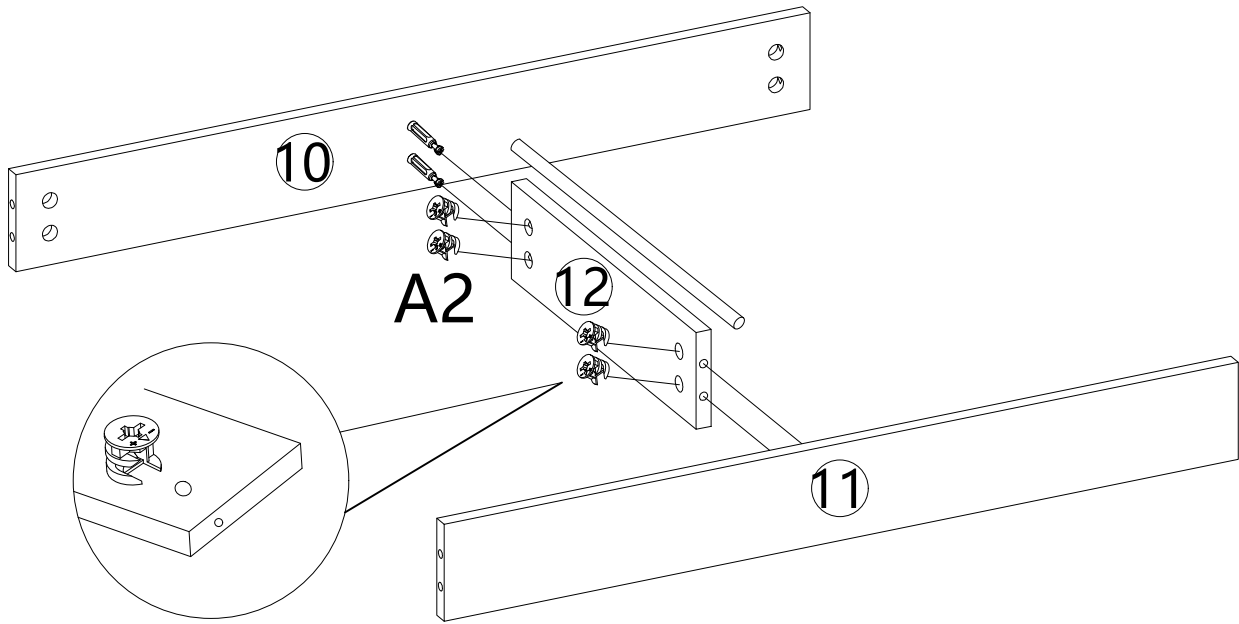


# STEP 14



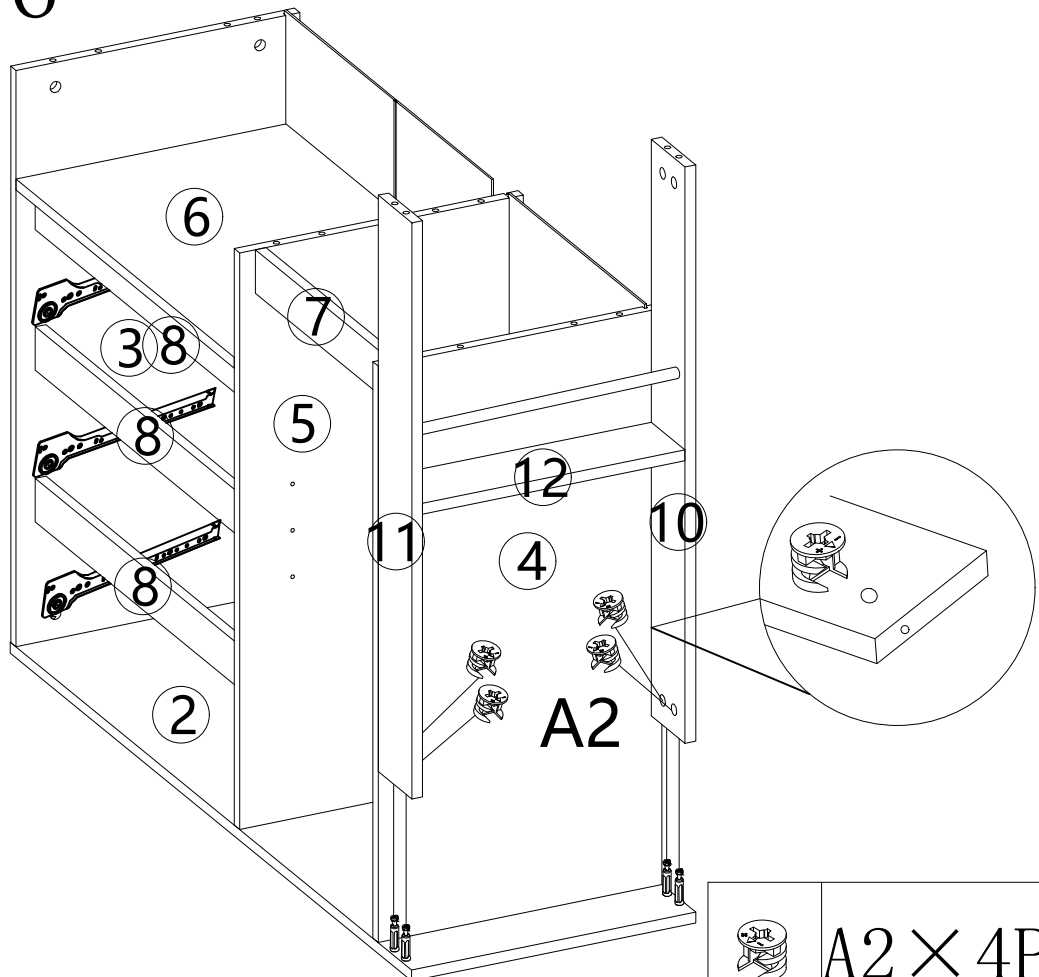
	A1 × 4PCS		H × 1PC
---	-----------	---	---------

# STEP 15



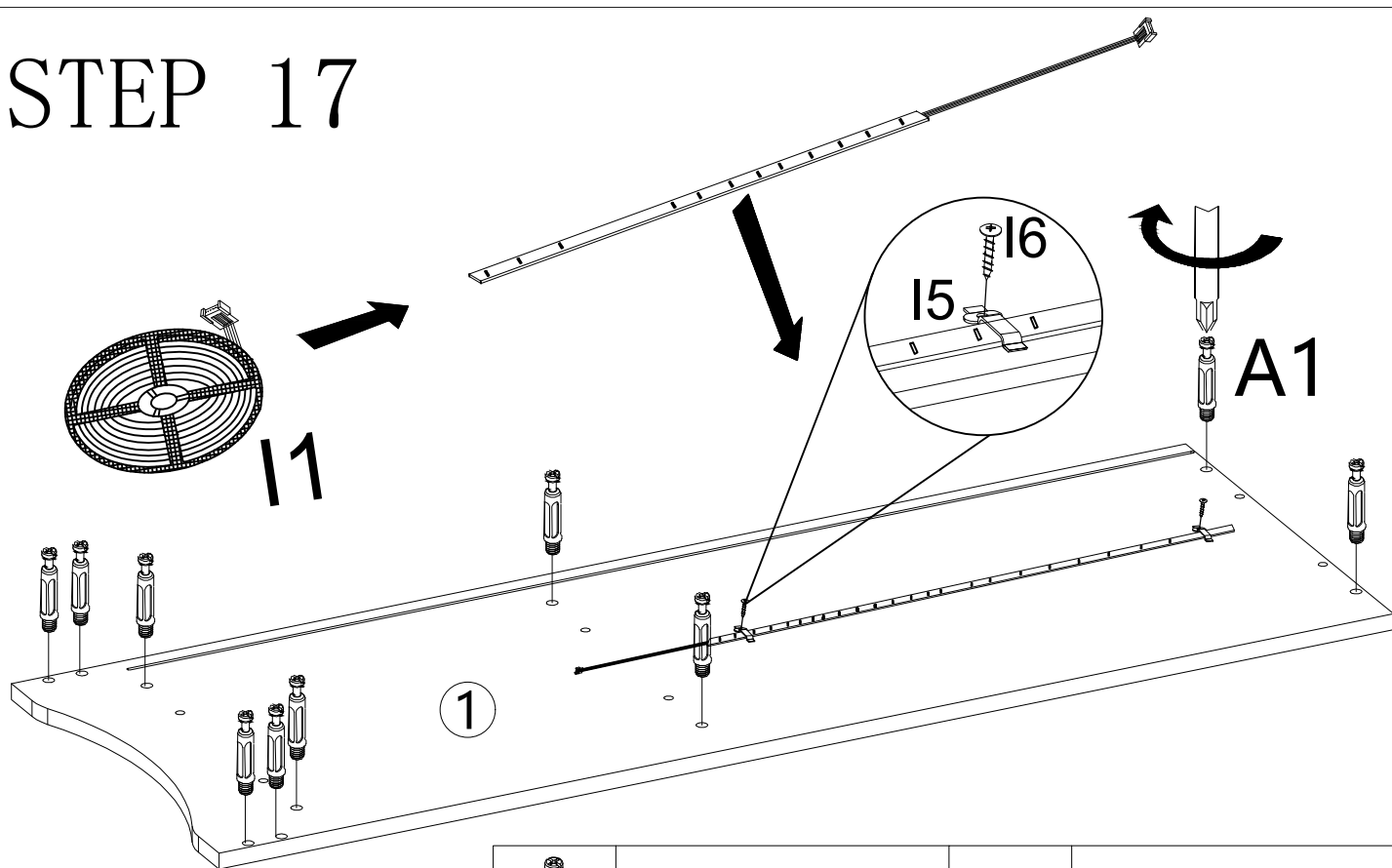
A2 × 4PCS



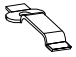

# STEP 16



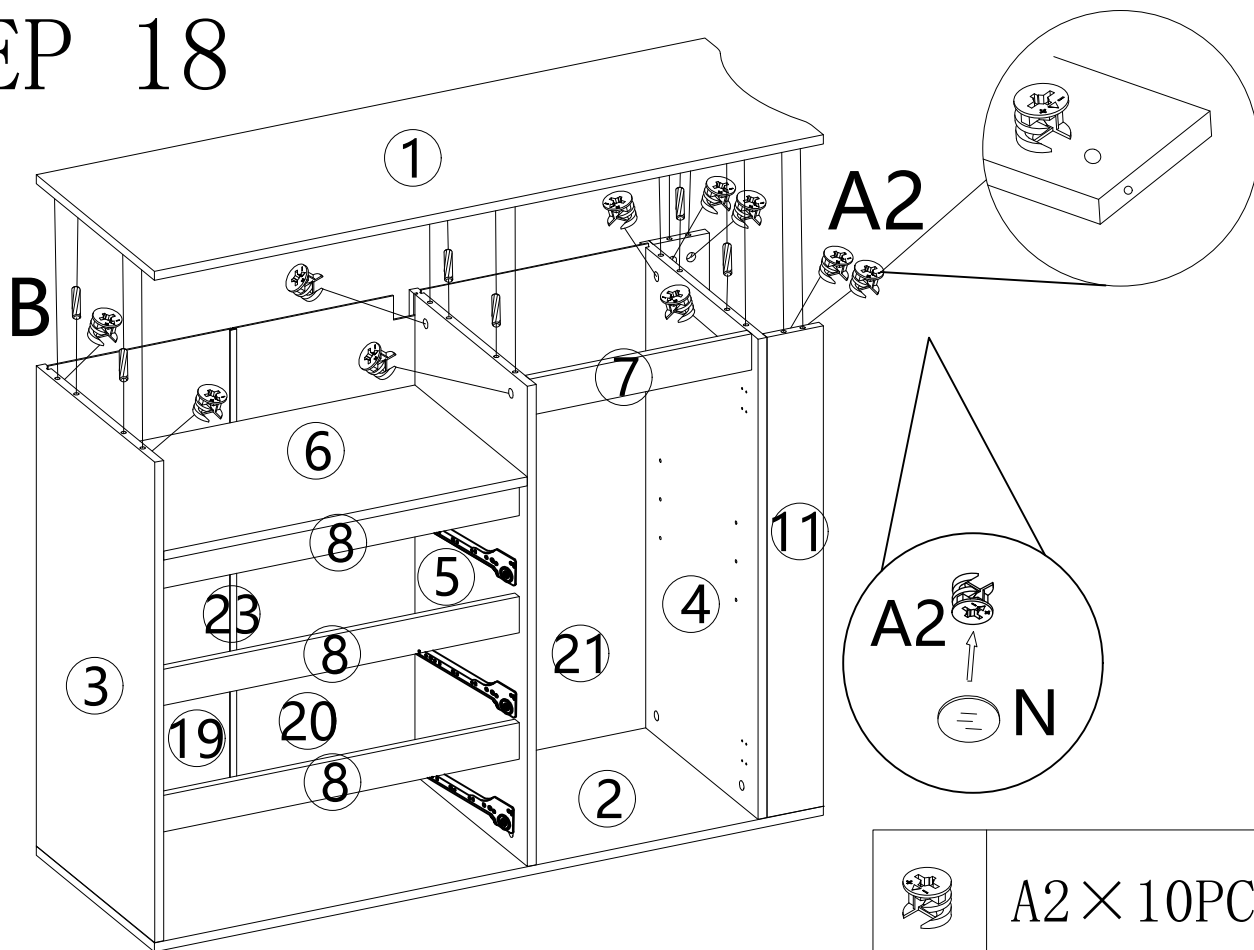
A2 × 4PCS




# STEP 17



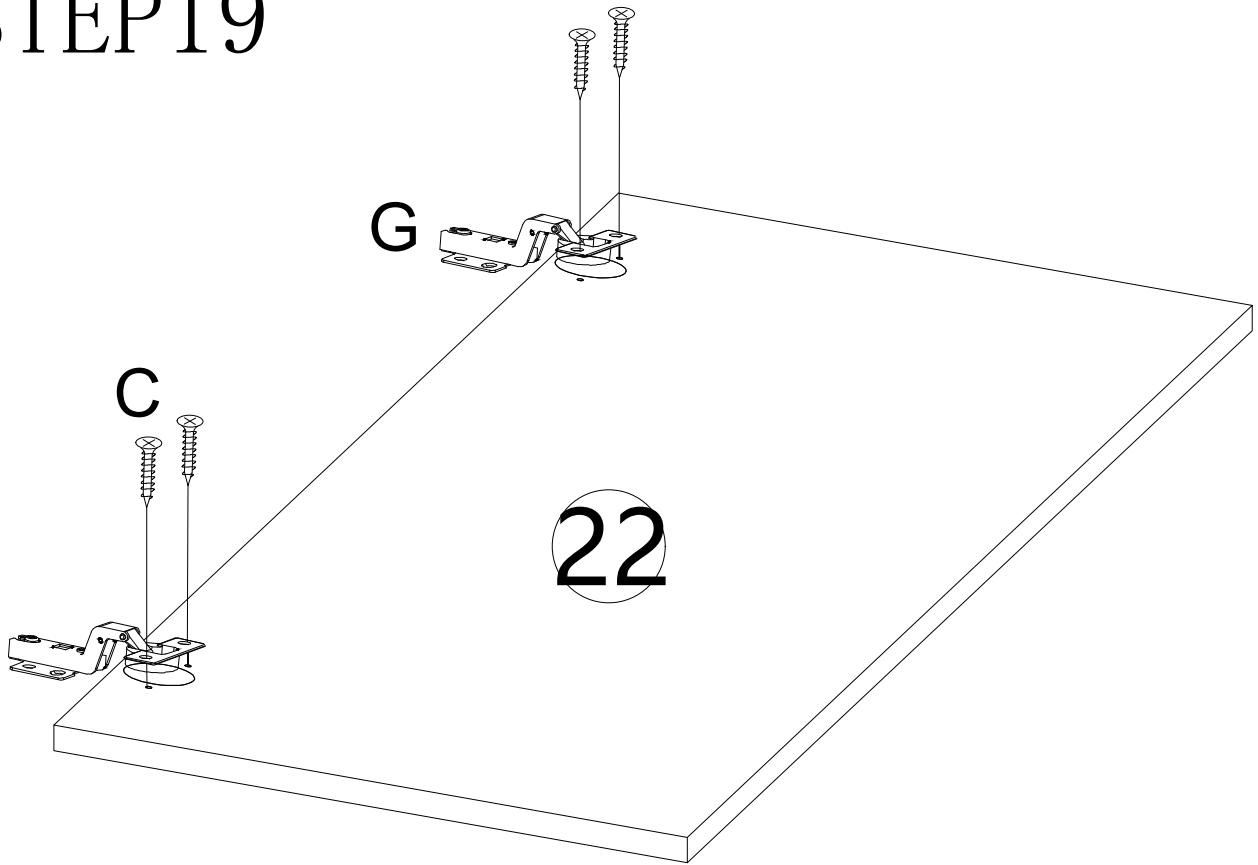
	A1 × 10PCS		I1 × 1PC
	I5 × 2PCS		I6 × 4PCS


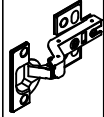
# STEP 18



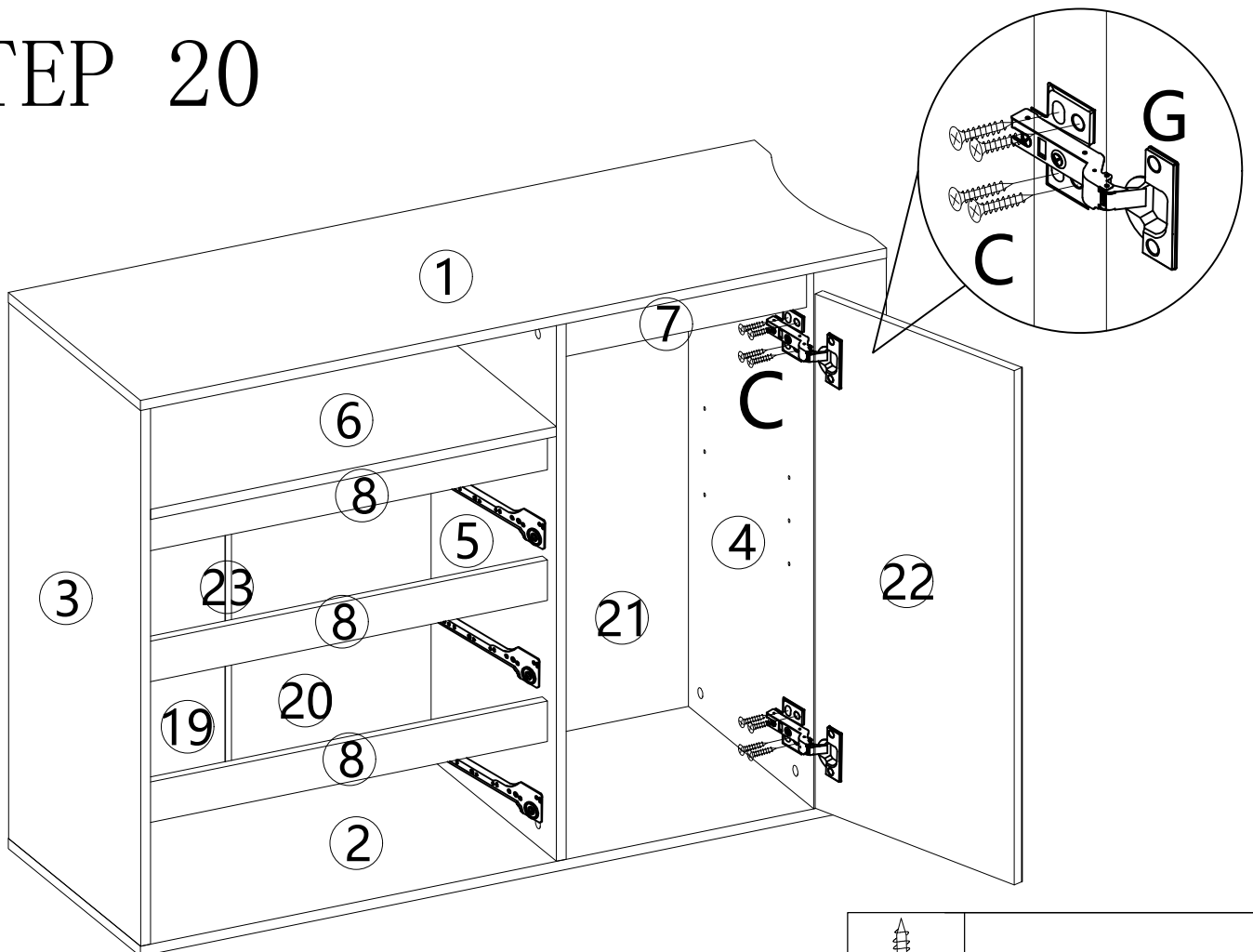
	A2 × 10PCS		N × 42PCS
	B × 6PCS		

# STEP 19



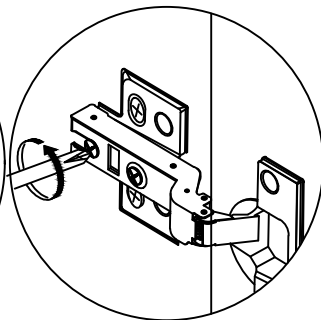
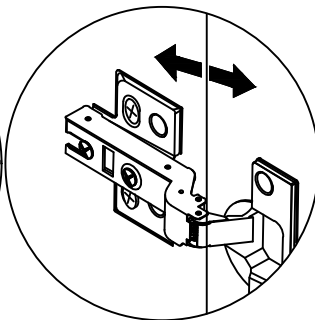
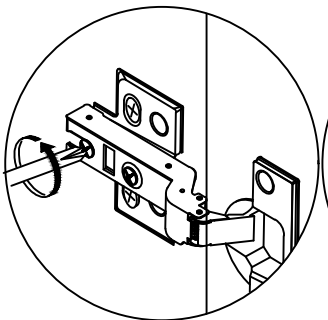
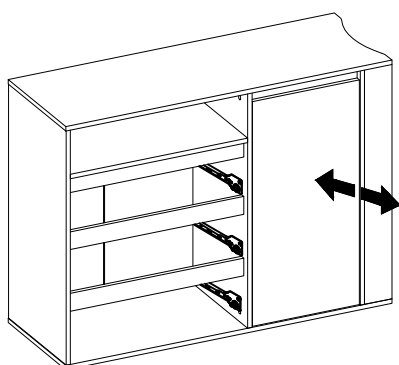
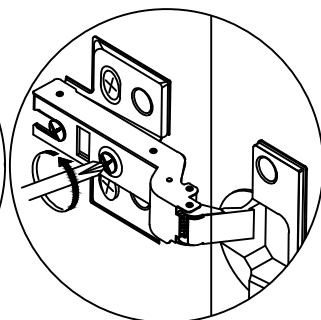
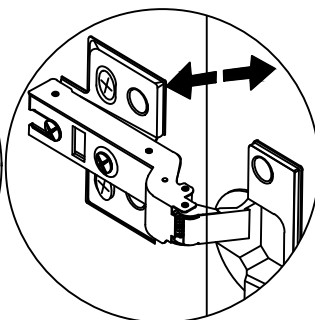
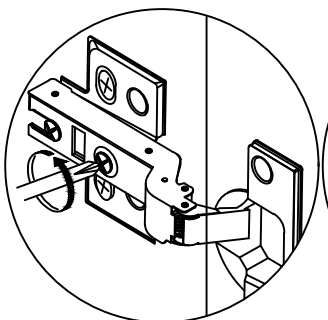
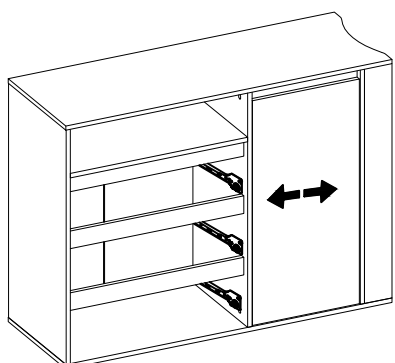
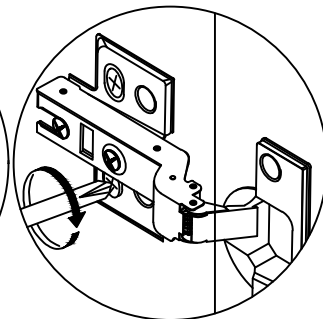
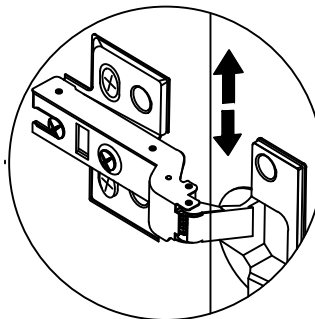
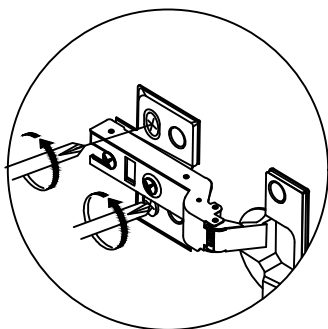
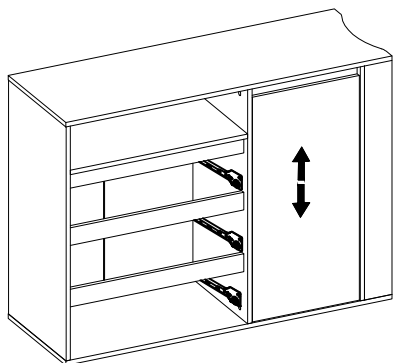
	C × 4PCS		G × 2PCS
--	----------	--	----------

# STEP 20



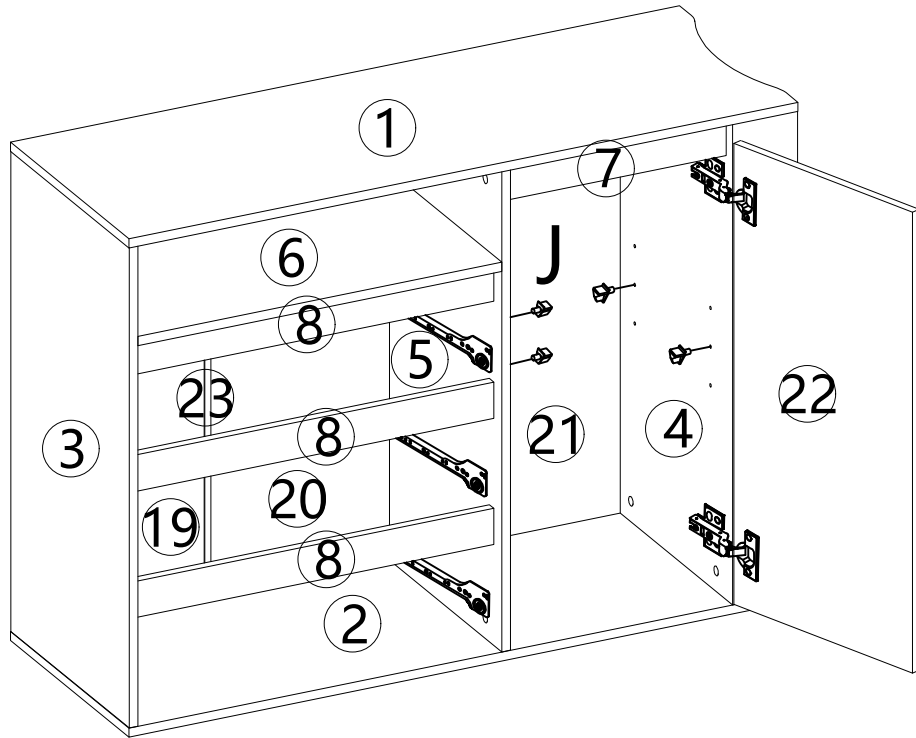
	C × 8PCS
---	----------

# STEP 21





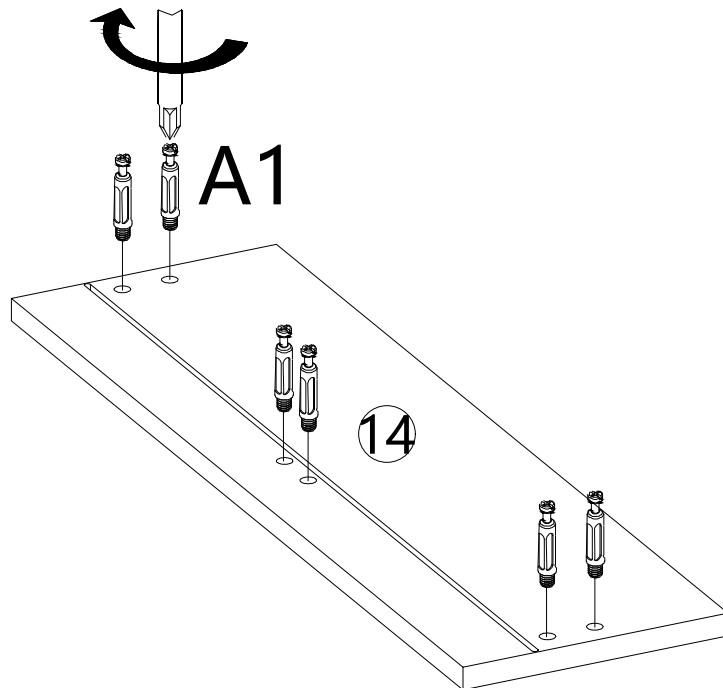
# STEP 22



J × 4PCS

# STEP 23

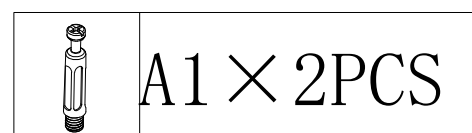
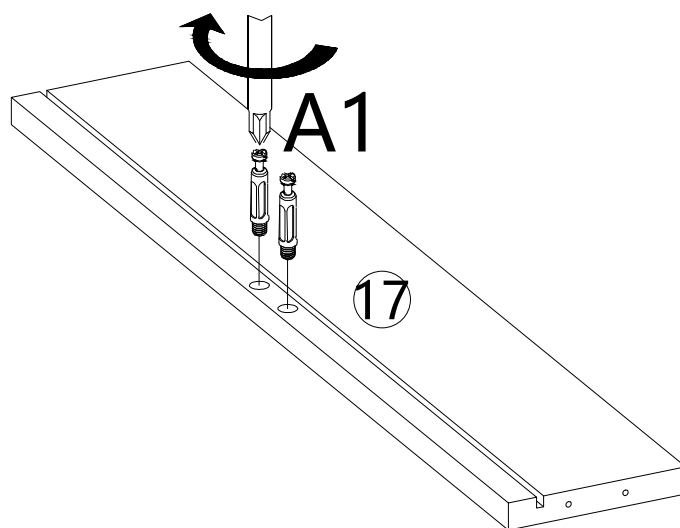
× 3



A1 × 6PCS

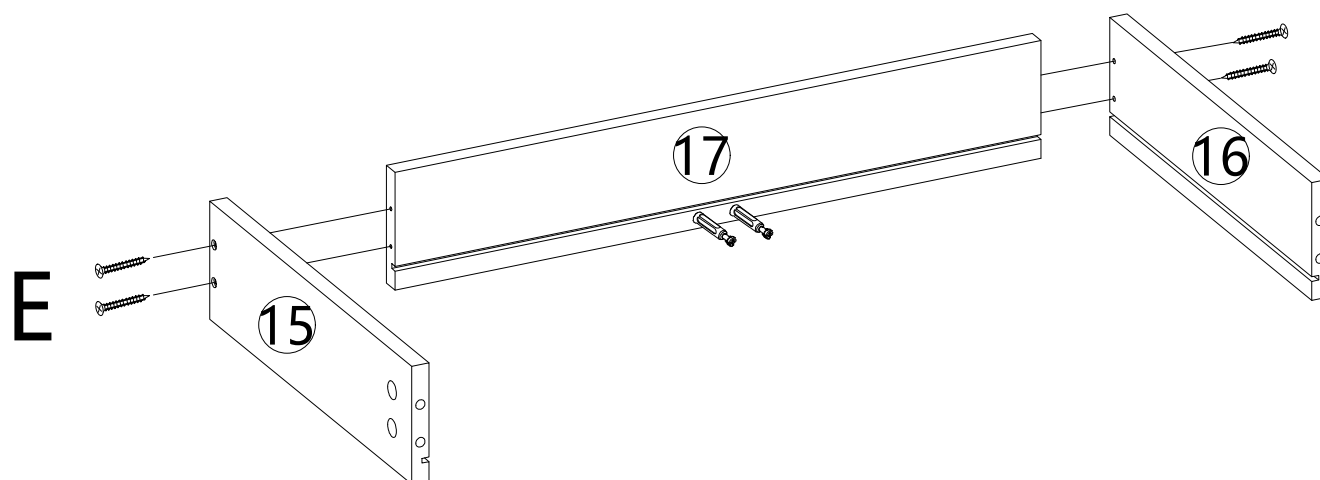
STEP 24

× 3



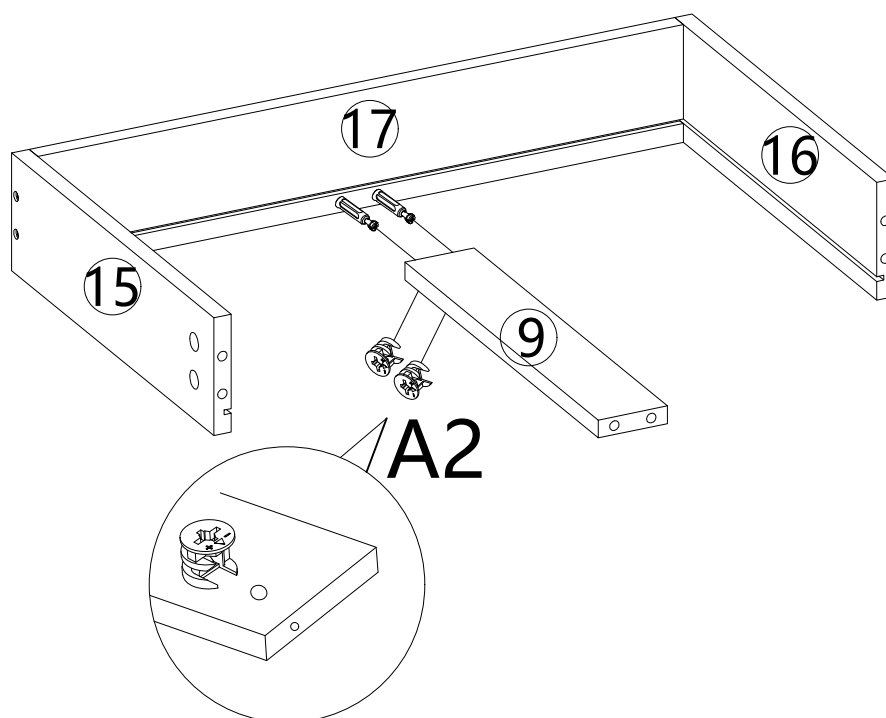
STEP 25

× 3



STEP 26

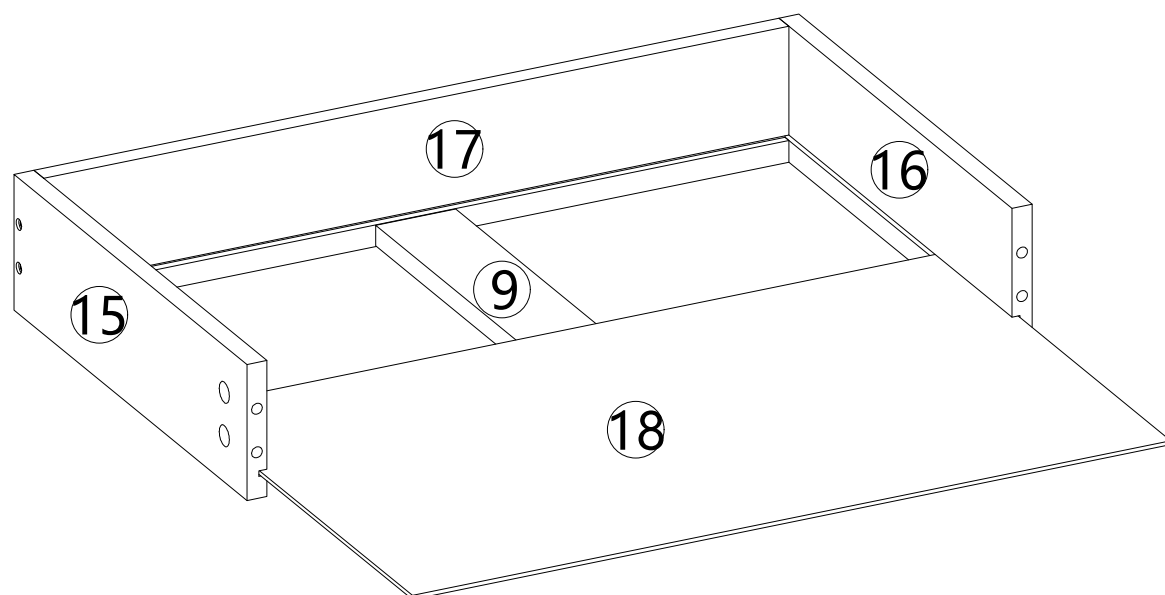
× 3



A2 × 2PCS

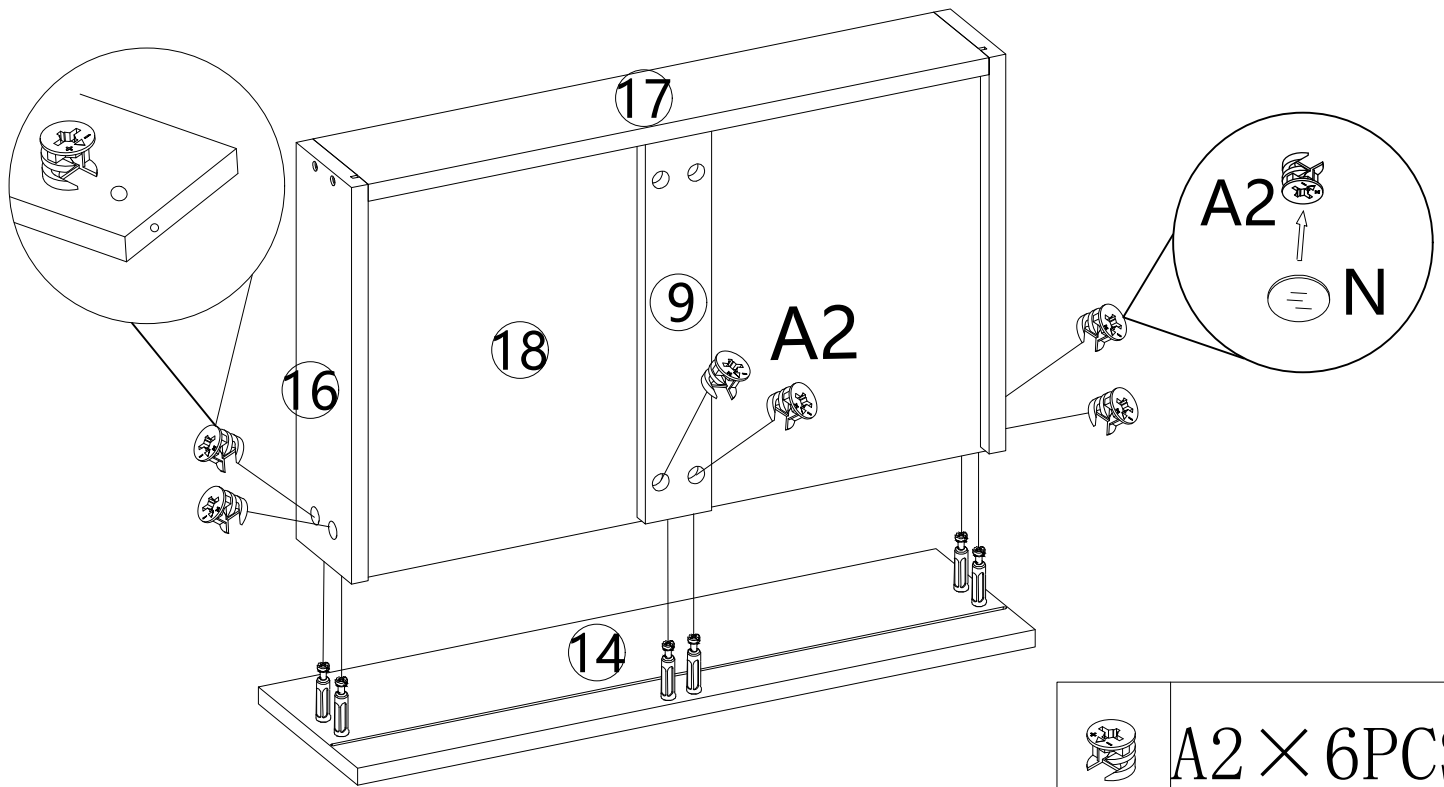
STEP 27



× 3



# STEP 28

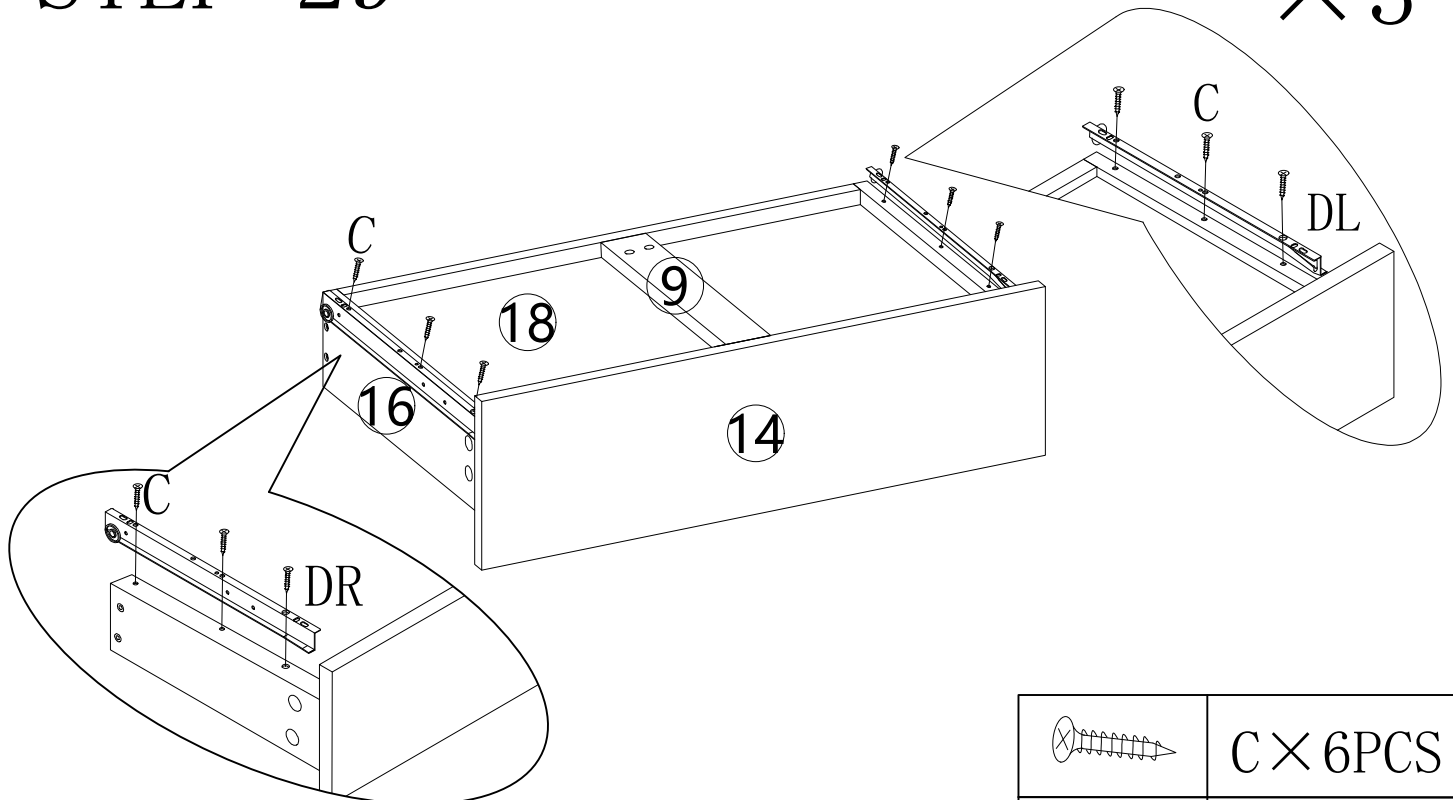
× 3

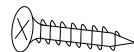




	A2 × 6PCS
	N × 6PCS

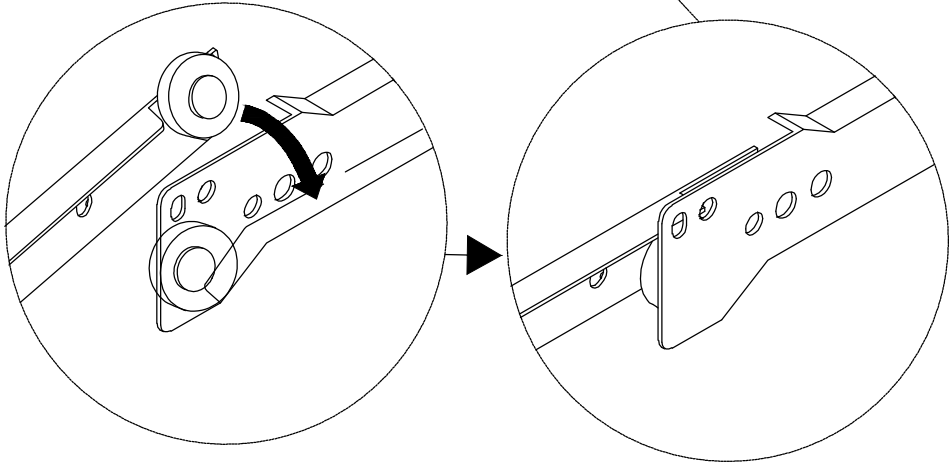
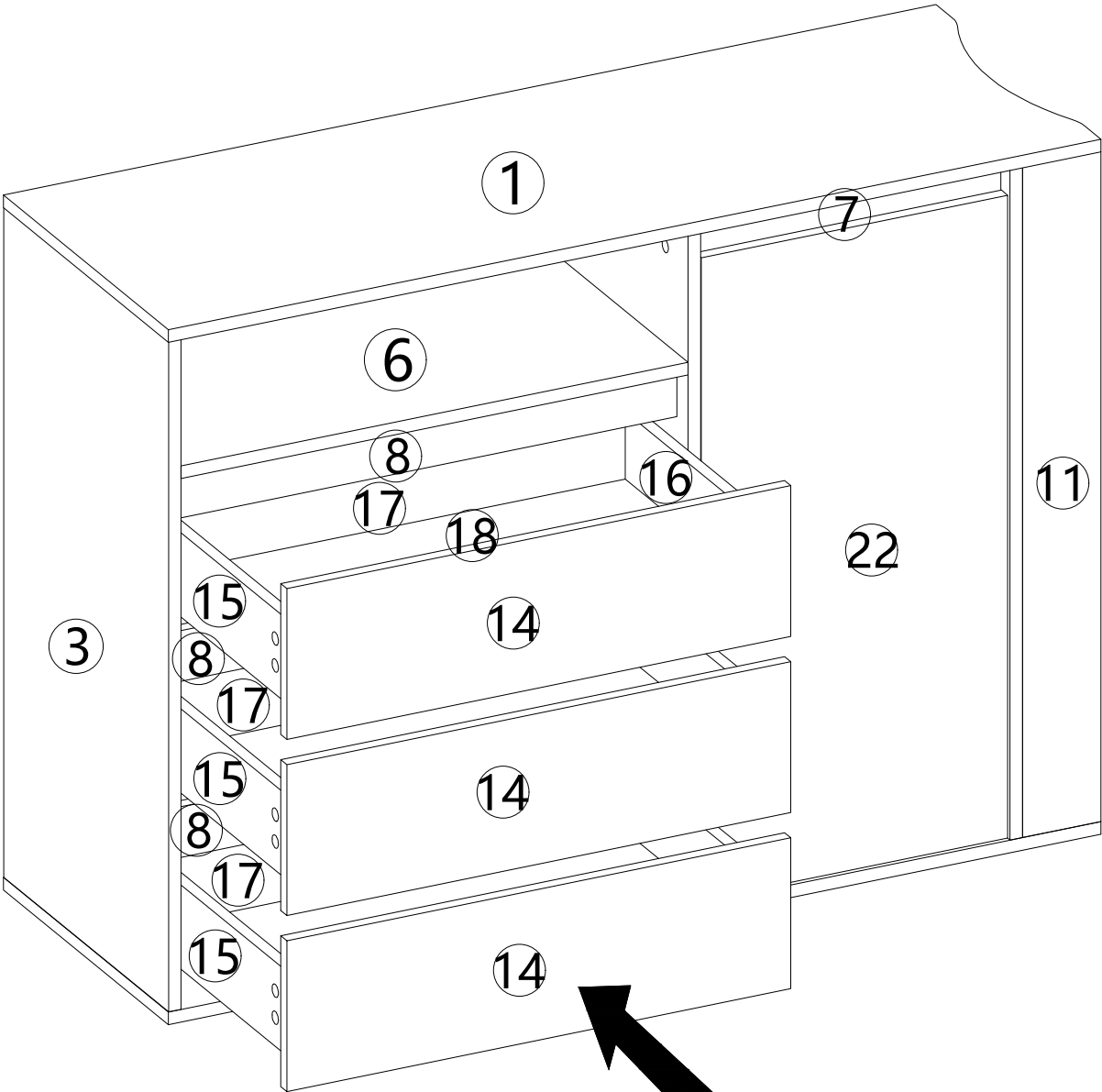
# STEP 29

× 3

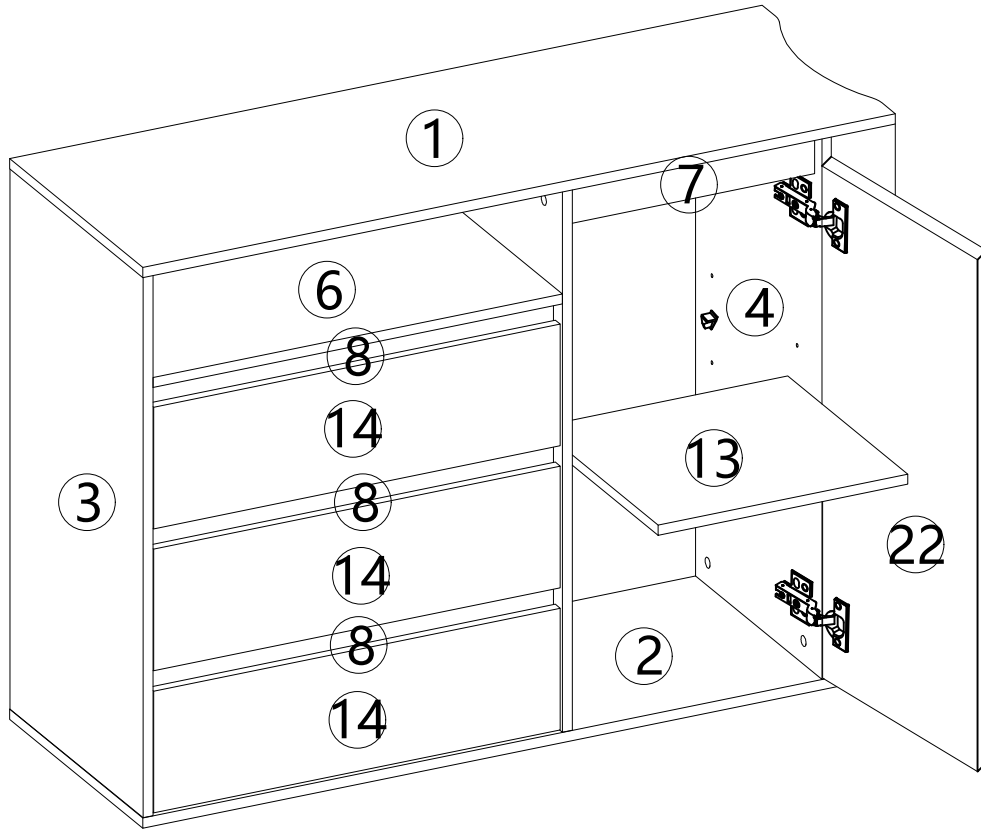


	C × 6PCS
	DL × 1PC
	DR × 1PC

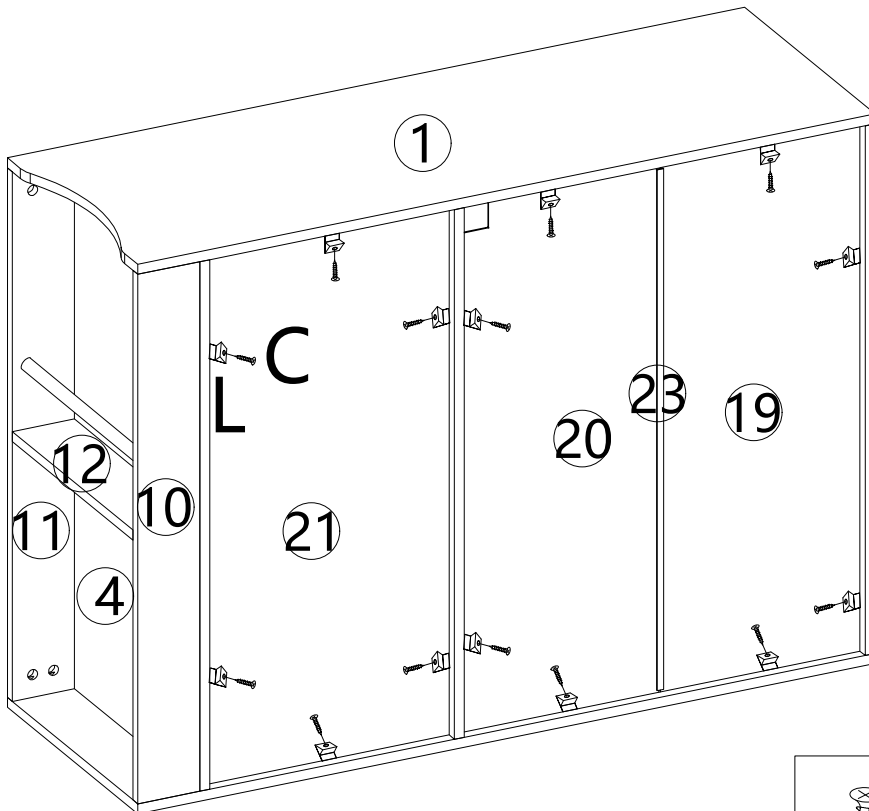
# STEP 30





# STEP 31

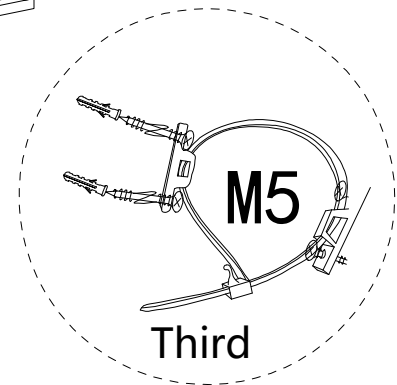
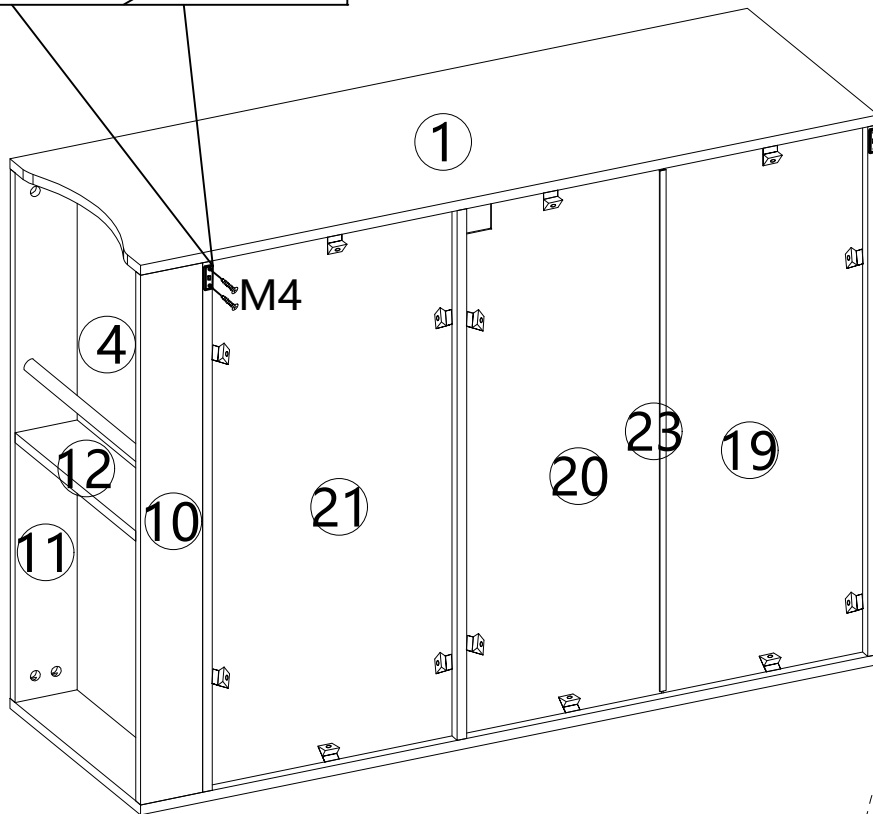
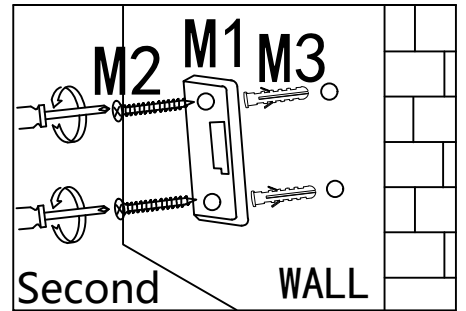
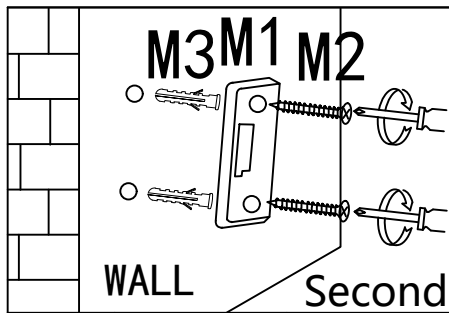


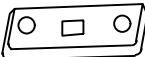
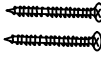

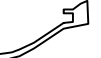

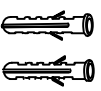
# STEP 32



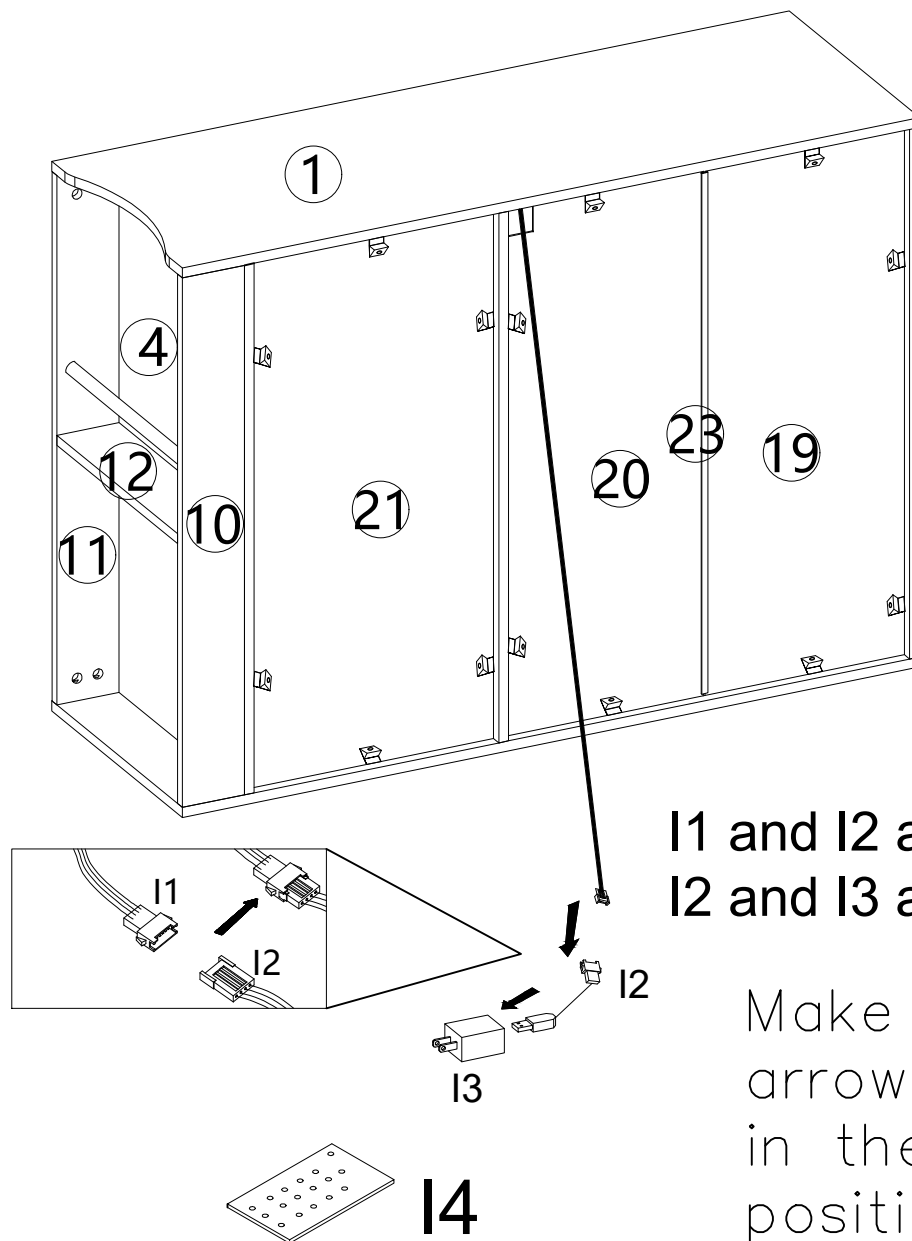
	<p>C × 14PCS</p>
	<p>L × 14PCS</p>

# STEP 33



		M1 × 4PCS
		M2 × 4PCS
		M3 × 4PCS
		M4 × 4PCS
		M5 × 2PCS

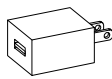
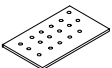

# STEP 34



I1 and I2 are connected;  
I2 and I3 are connected;

Make sure the  
arrows are  
in the same  
position !

Last: Plug the I3 into the power supply !  
I4 can be adjusted !

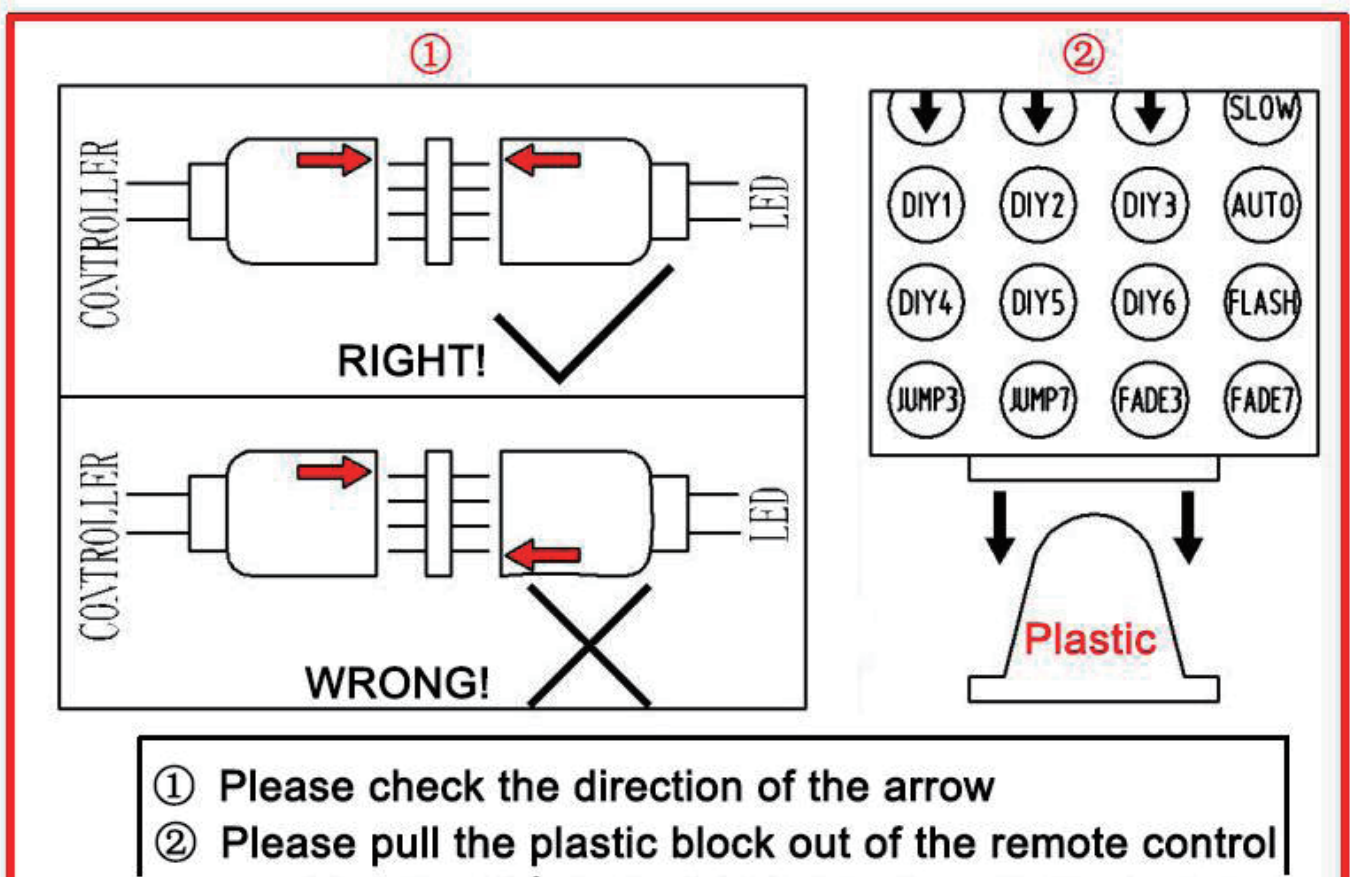
	I3 × 1PC
	I4 × 1PC
	I2 × 1PC



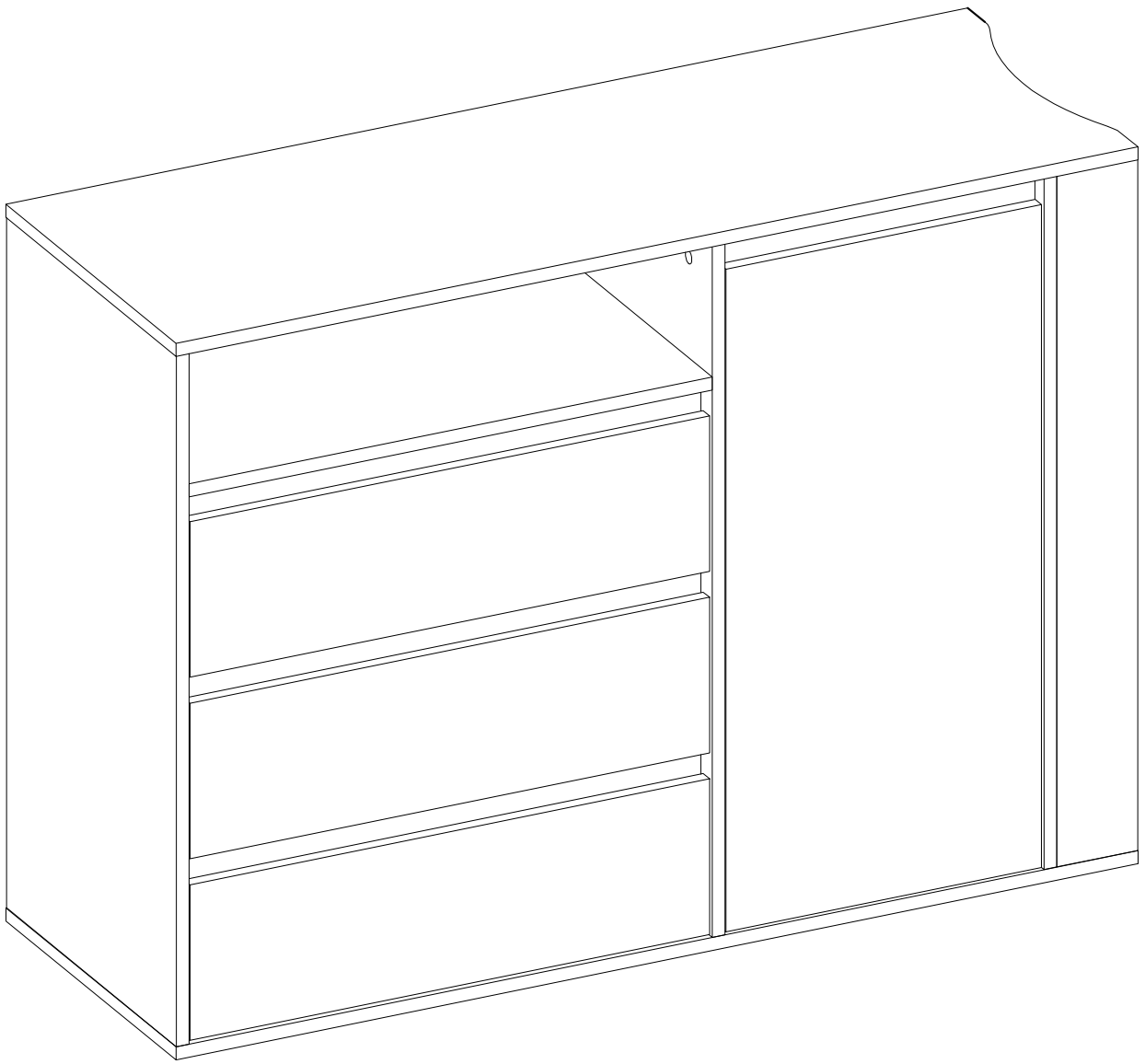
# LED Light

If you can't let the lights work successfully, please check the following:

1. Please check the direction of the connect, try it in the opposite direction, according to the following picture.
2. Please check the remote control, it need you to tear down the plastic septum before use it.
3. Don't let the remote control too far from the receiver, make sure there is no obstruction between them.



END





## WARNING



Children have died from furniture tipover. To reduce the risk of furniture tipover:

- **ALWAYS** install tipover restraint provided.
- **NEVER** put a TV on this product.
- **NEVER** allow children to stand, climb or hang on drawers, doors, or shelves.
- **NEVER** open more than one drawer at a time.
- Place heaviest items in the lowest drawers.

