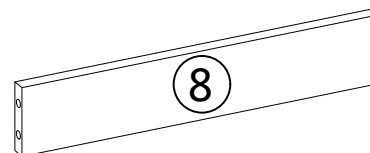
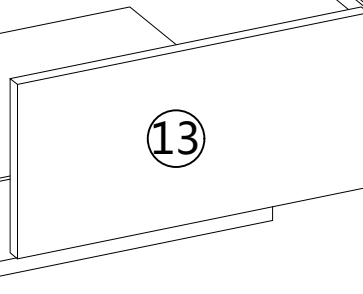
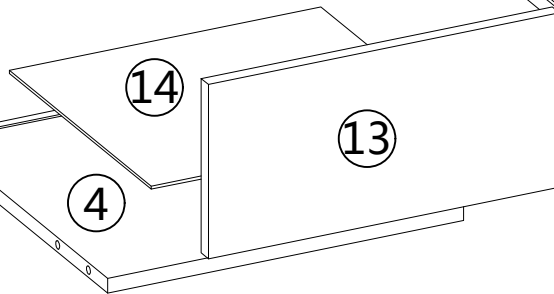
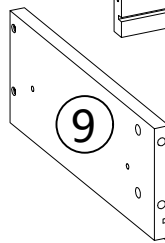
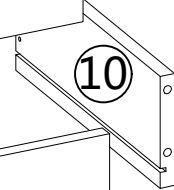
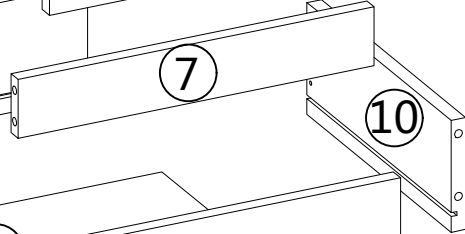
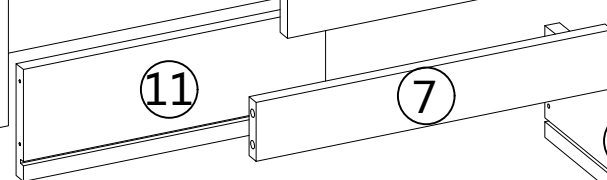
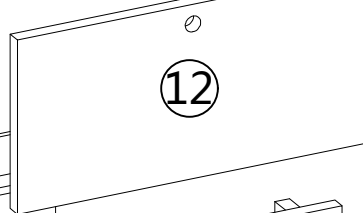
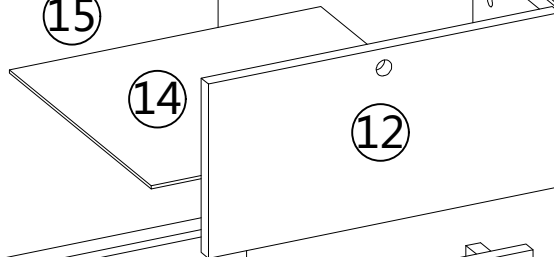
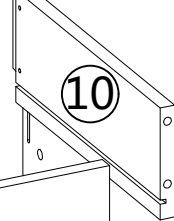
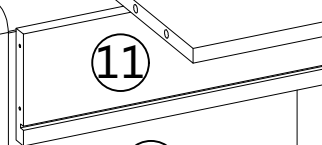
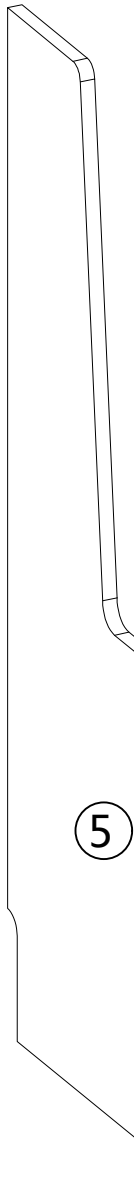
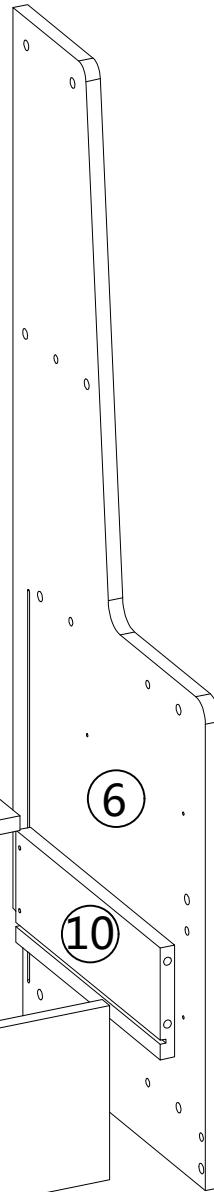
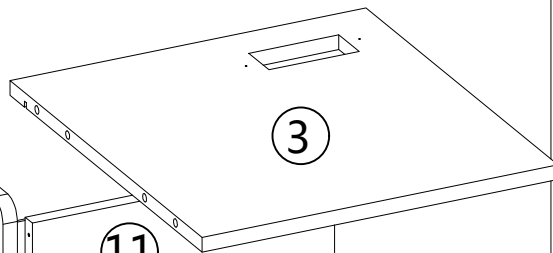
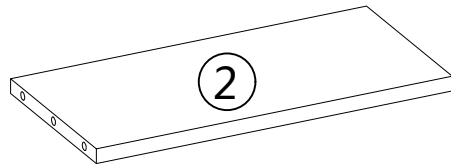
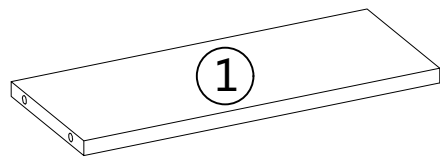
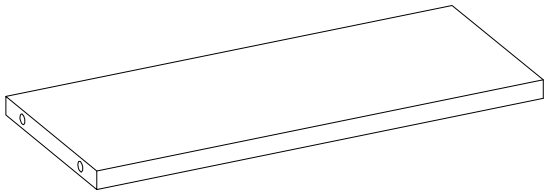


DS-NS001W



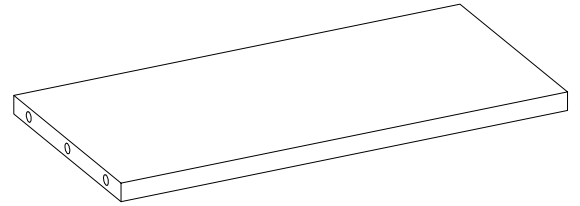
1



370*151*15mm

1 PC

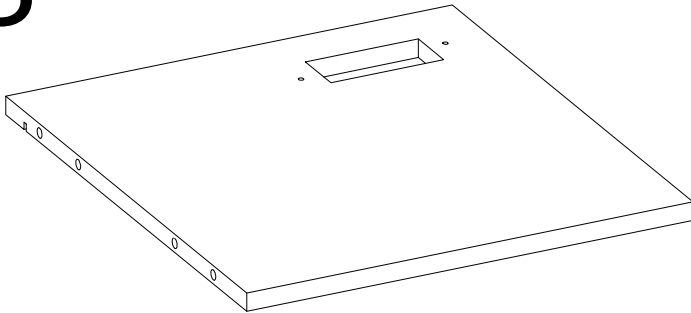
2



370*178*15mm

1 PC

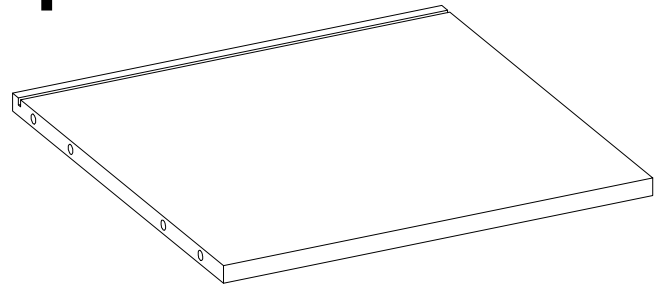
3



370*399.5*15mm

1 PC

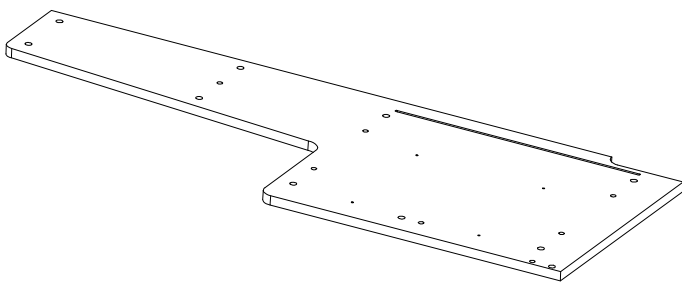
4



370*364*15mm

1 PC

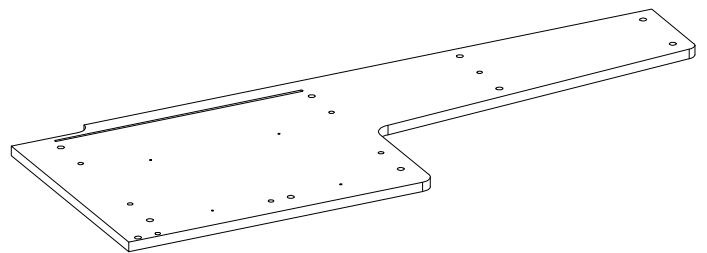
5



1045*400*15mm

1 PC

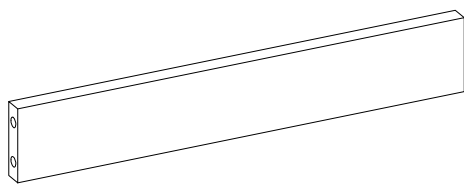
6



1045*400*15mm

1 PC

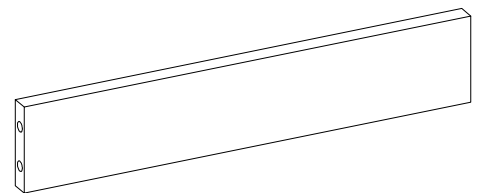
7



370*60*15mm

1 PC

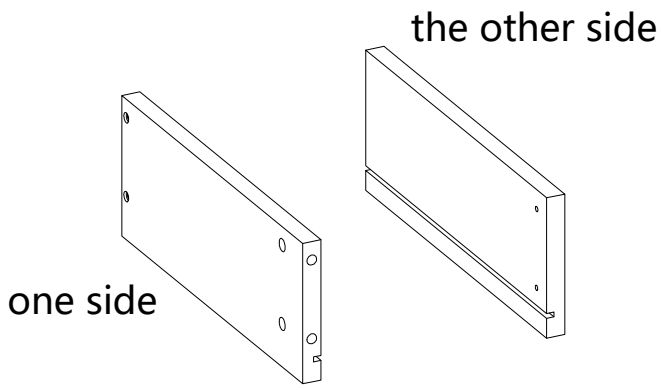
8



370*70*15mm

1 PC

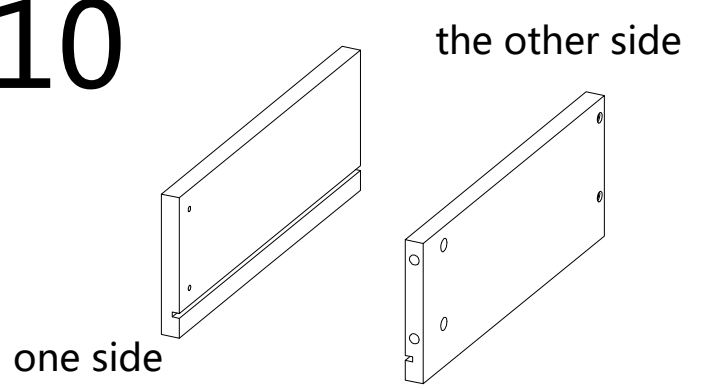
9



300*114*15mm

2 PCS

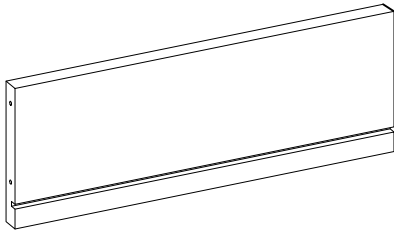
10



300*114*15mm

2 PCS

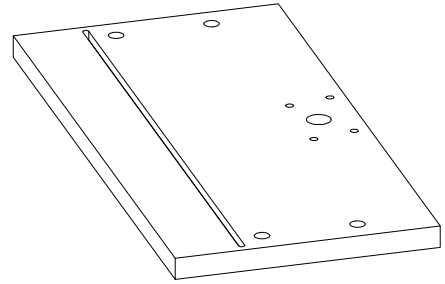
11



314*114*15mm

2 PCS

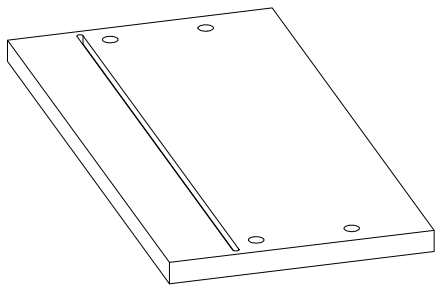
12



177.5*365*15mm

1 PC

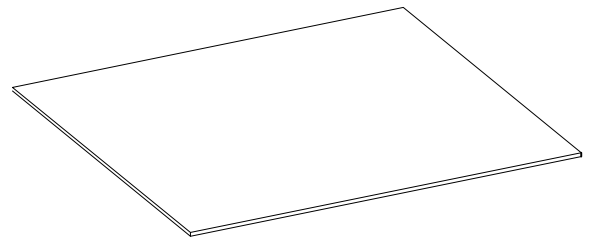
13



177.5*365*15mm

1 PC

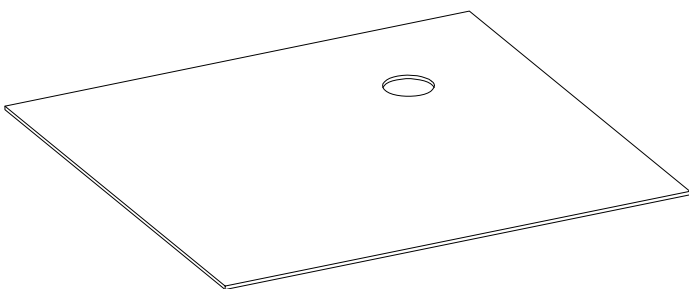
14



295*324*3mm

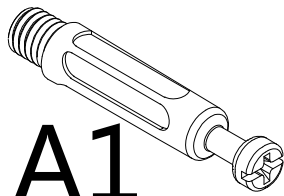
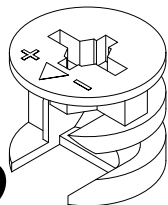
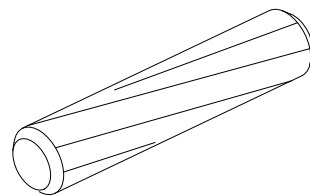
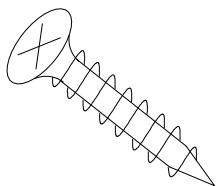
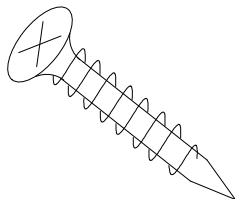
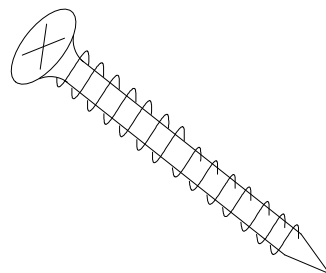
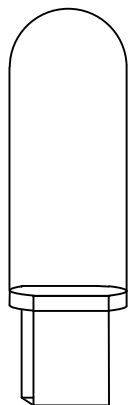
2 PCS

15

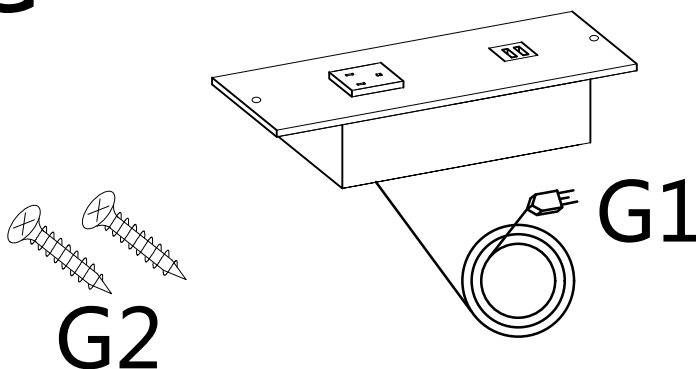


400.5*380*3mm

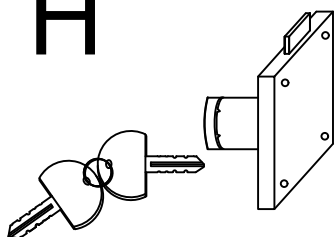
1 PC

A**A1**
 $\phi 7 \times 40 \text{mm}$
A2
 $\phi 15 \times 11 \text{mm}$ 28PCS
B
 $\phi 8 \times 30 \text{mm}$ 14PCS
C
 $M3.5 \times 14 \text{mm}$ 22PCS
D
 $M3.5 \times 16 \text{mm}$ 4PCS
E
 $M3.5 \times 35 \text{mm}$ 8PCS
F

1PC

G**G2****G1**

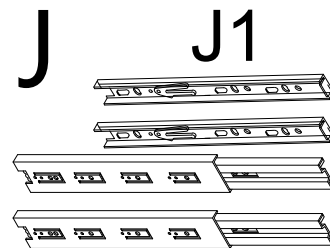
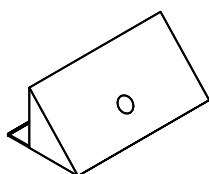
1PC

H

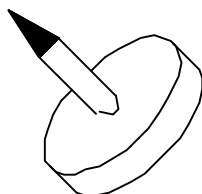
1PC

I

1PC

J**J1****J2**
 $L=300 \text{mm}$ 2PCS
K

4PCS

L

6PCS

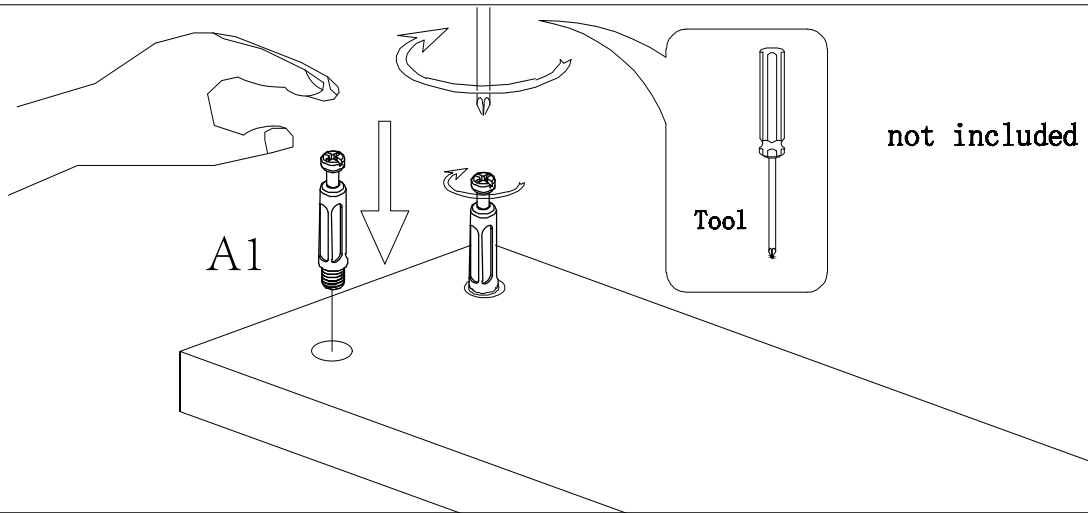
M
 $\phi 21 \text{mm}$ 28PCS

Hardware installation demonstration

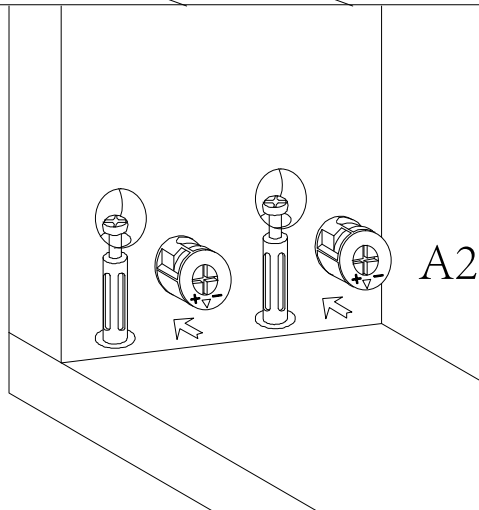


NOTE: Please make sure "A1" hardware tightened and can't be pulled out!

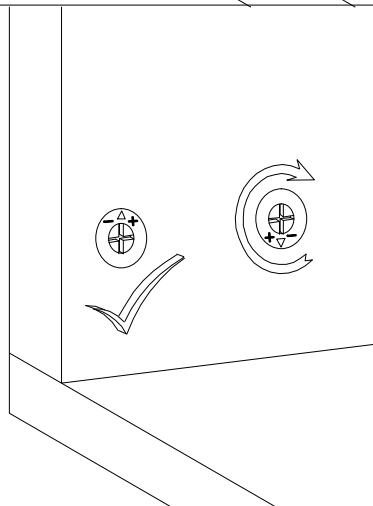
I



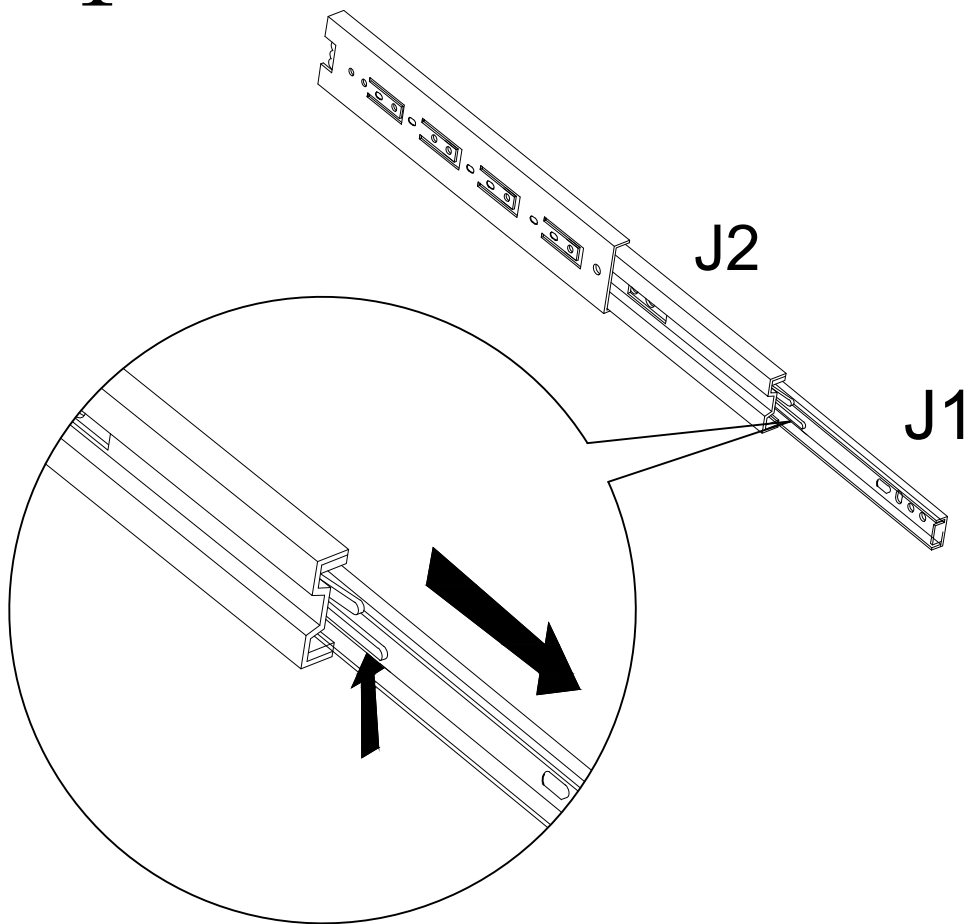
II



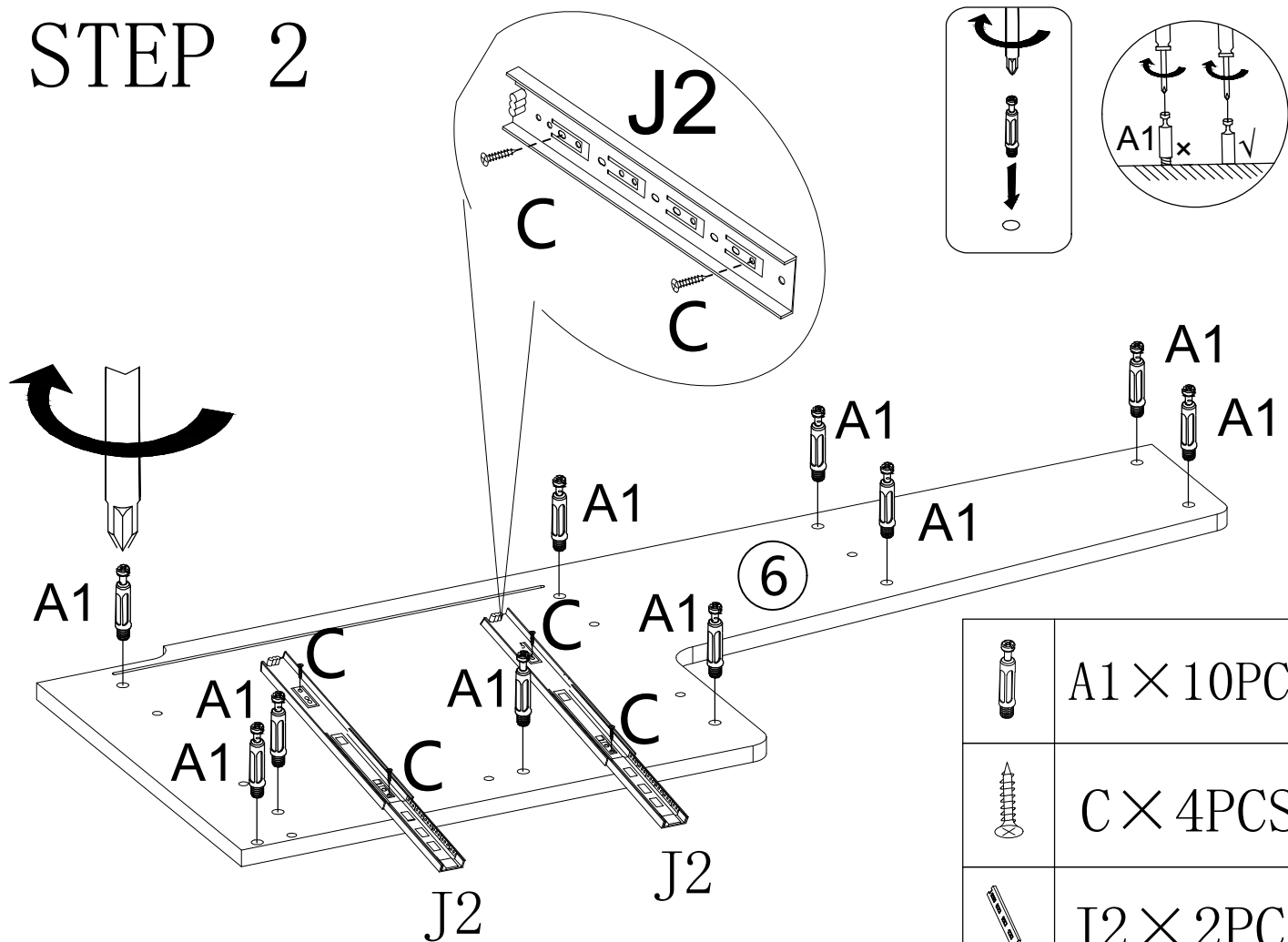
III



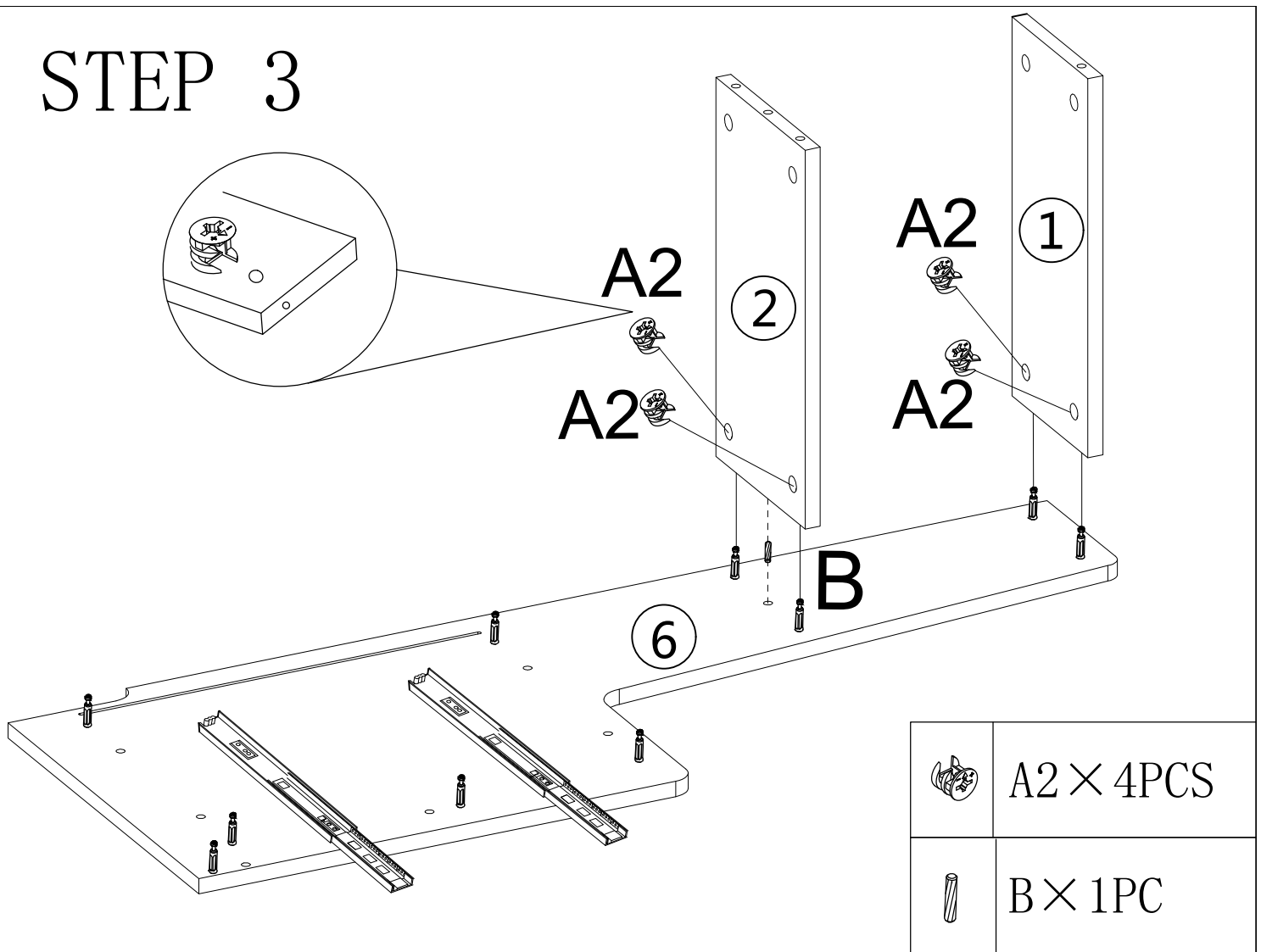
STEP 1



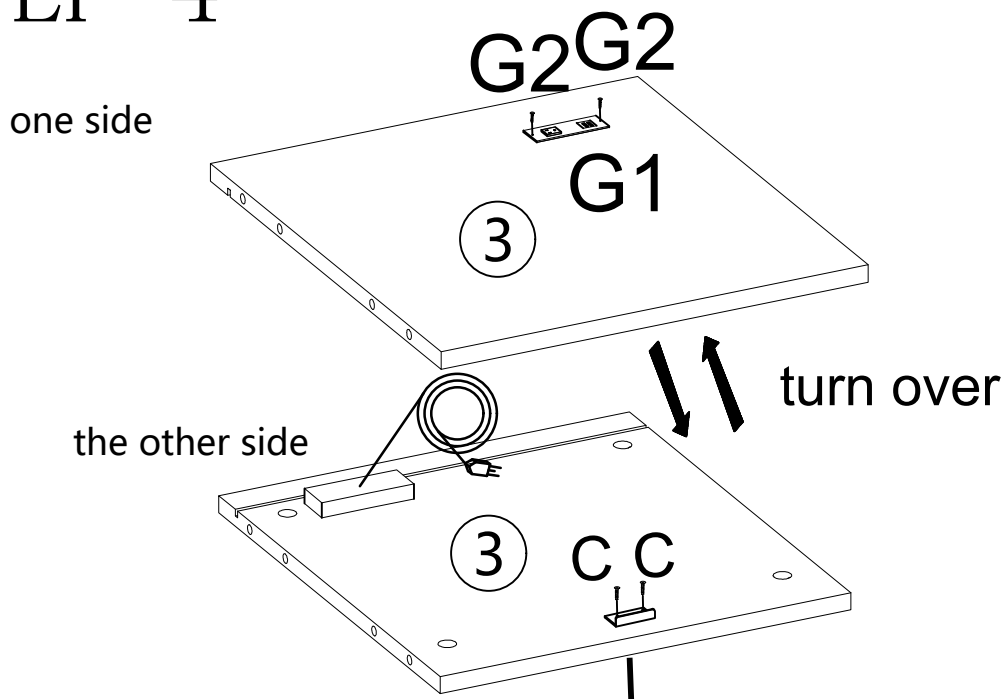
STEP 2







STEP 3

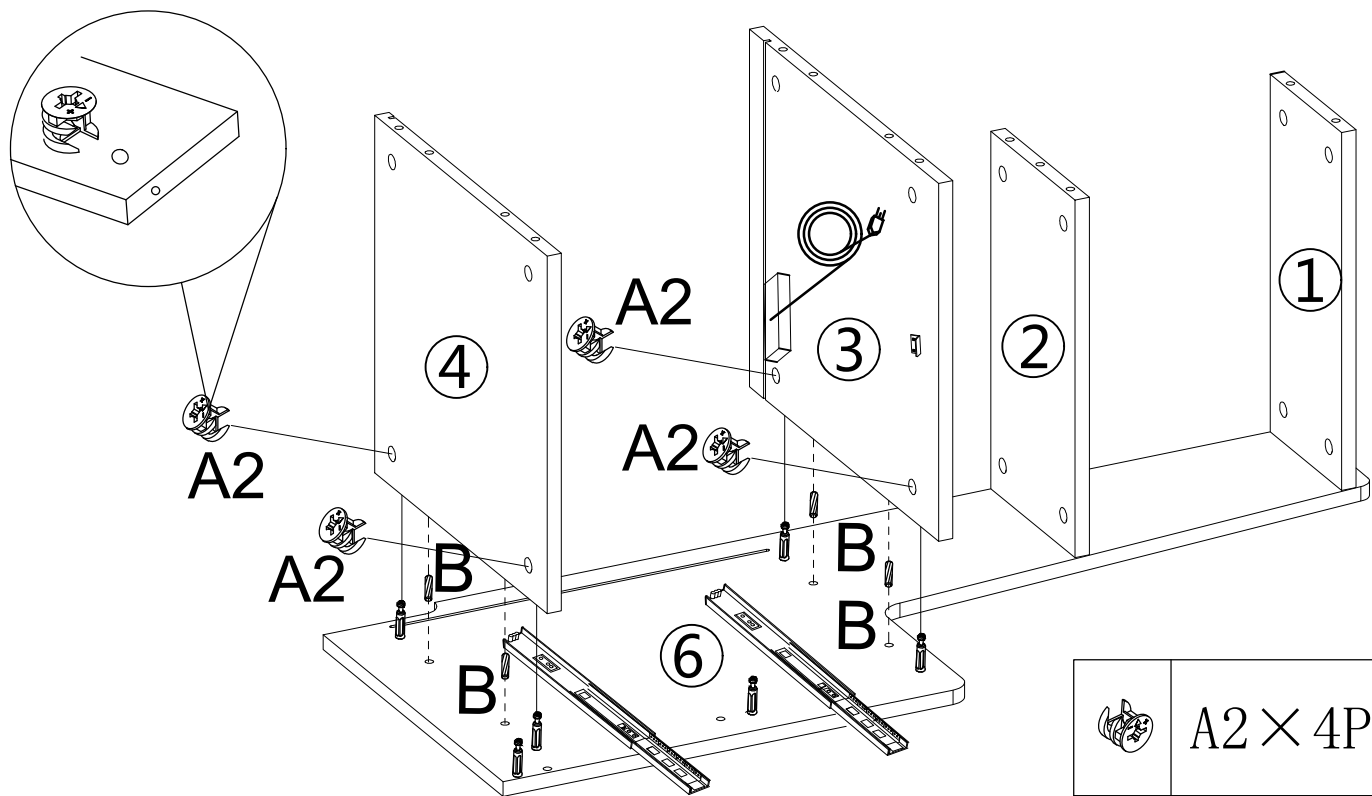




STEP 4



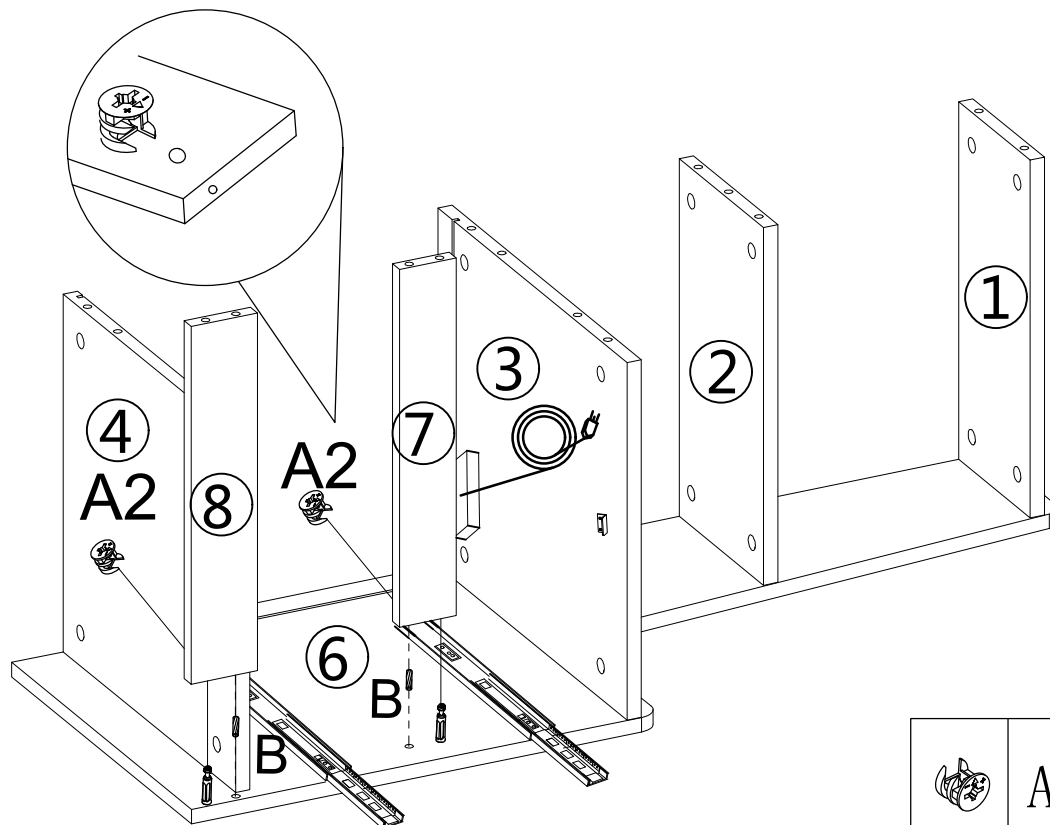
| | | | |
|---|----------|---|-----------|
|  | C × 2PCS |  | I × 1PC |
|  | G1 × 1PC |  | G2 × 2PCS |



STEP 5



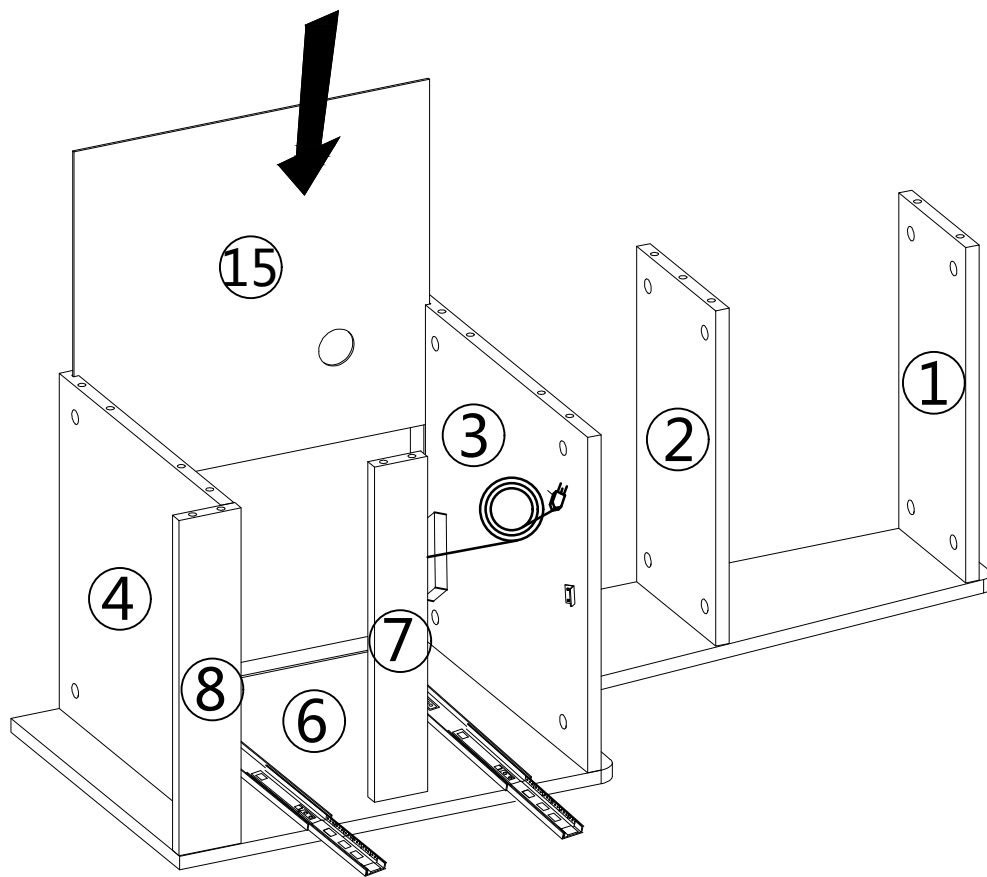
| | |
|---|-----------|
|  | A2 × 4PCS |
|  | B × 4PCS |

STEP 6

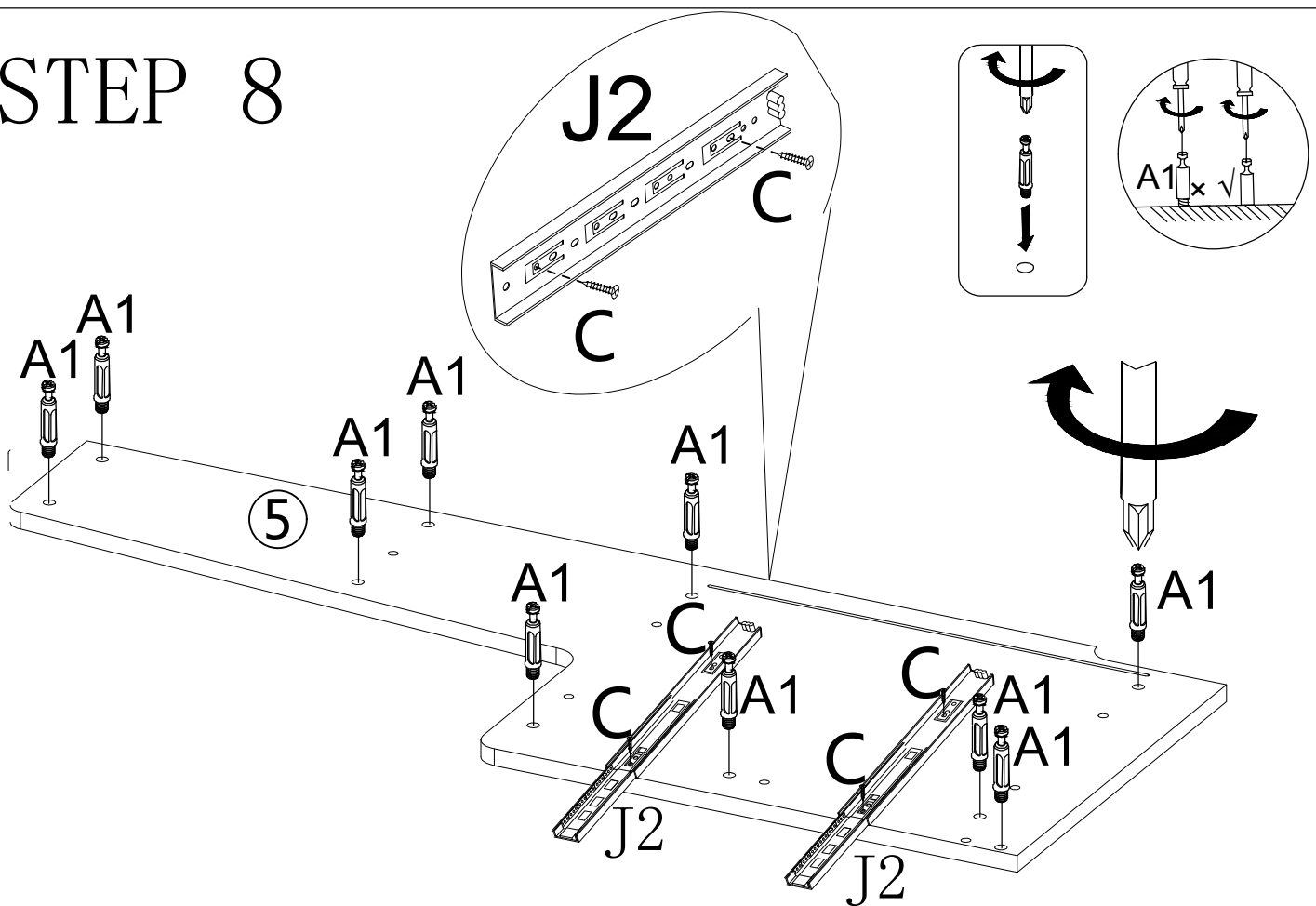





| | |
|---|-----------|
|  | A2 × 2PCS |
|  | B × 2PCS |

STEP 7

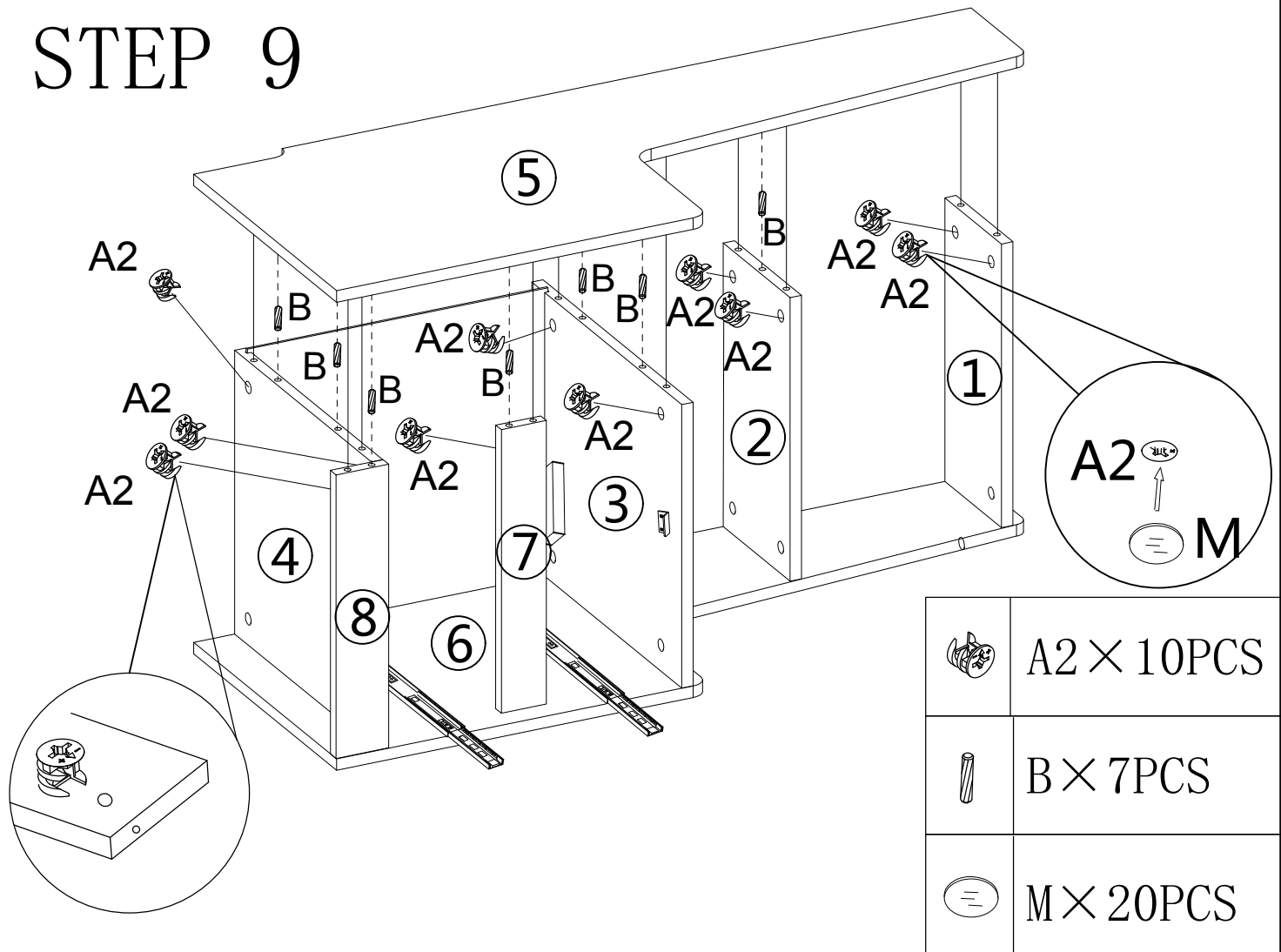


STEP 8

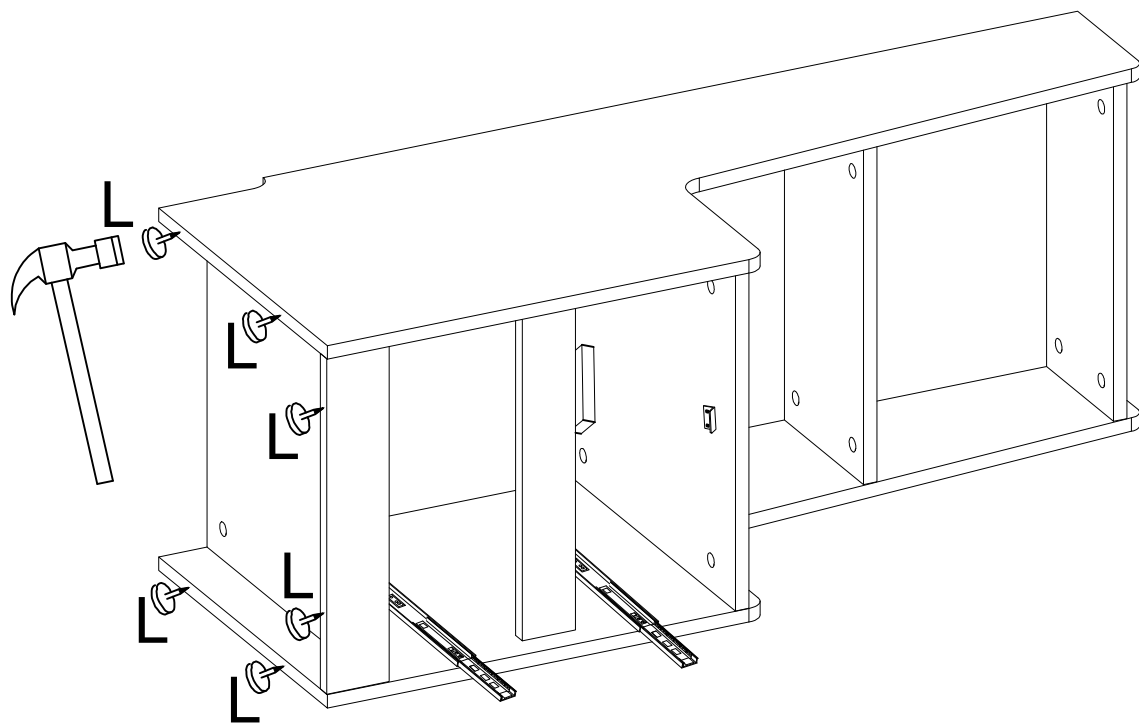



| | | | | | |
|---|------------|---|----------|---|-----------|
|  | A1 × 10PCS |  | C × 4PCS |  | J2 × 2PCS |
|---|------------|---|----------|---|-----------|

STEP 9



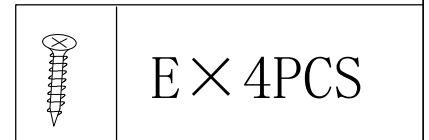
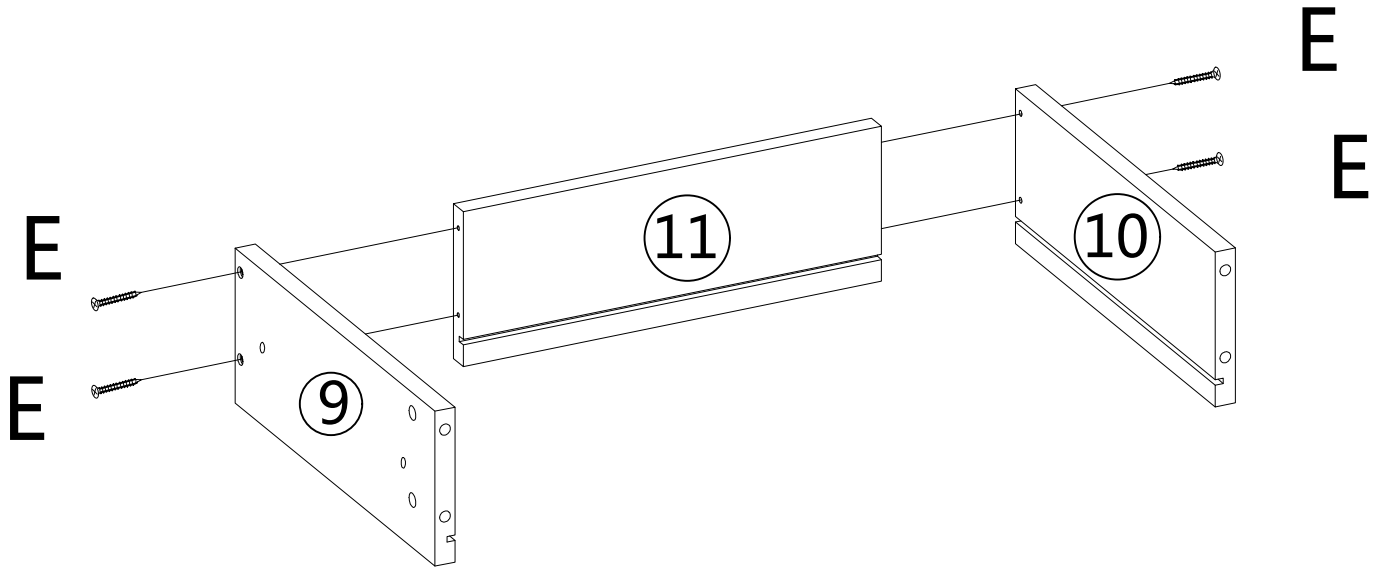
STEP 10



| | |
|---|----------|
|  | L × 6PCS |
|---|----------|

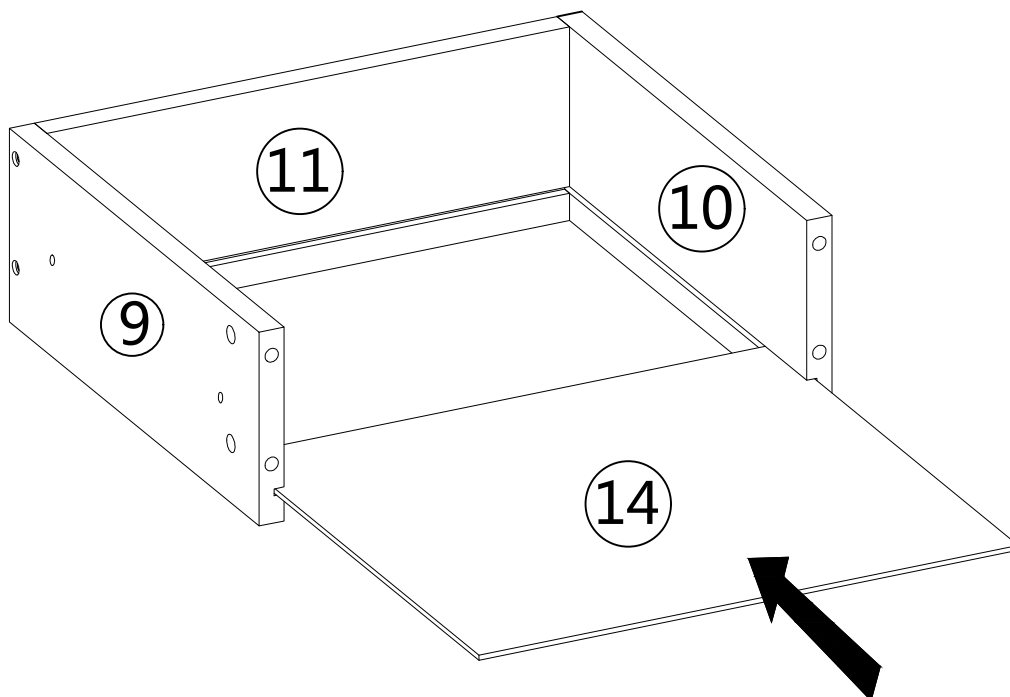
STEP 11

X2

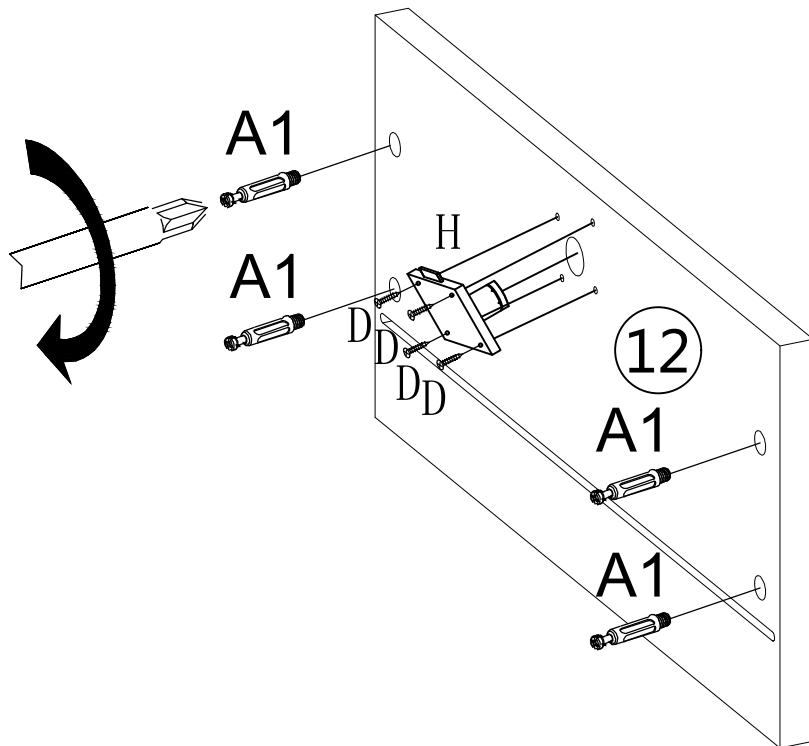




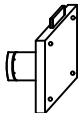
STEP 12

X2

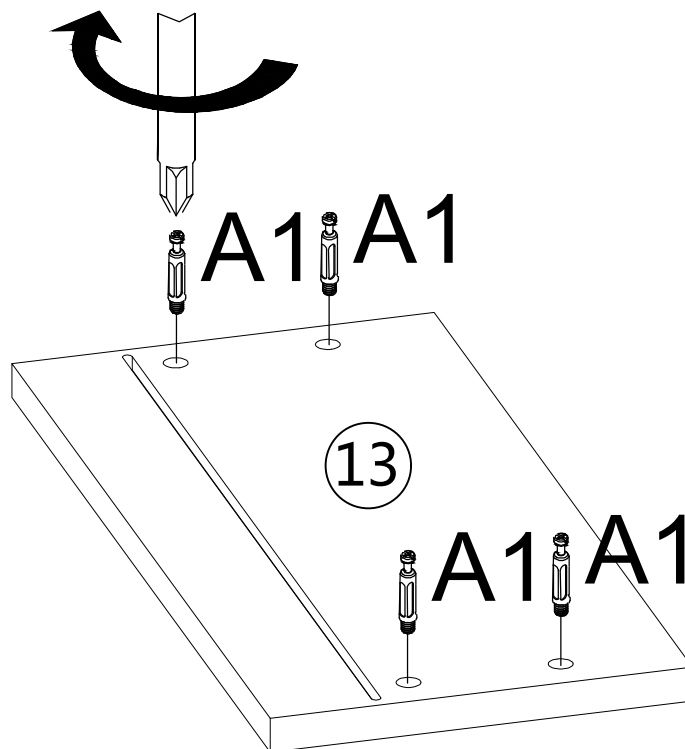



STEP 13



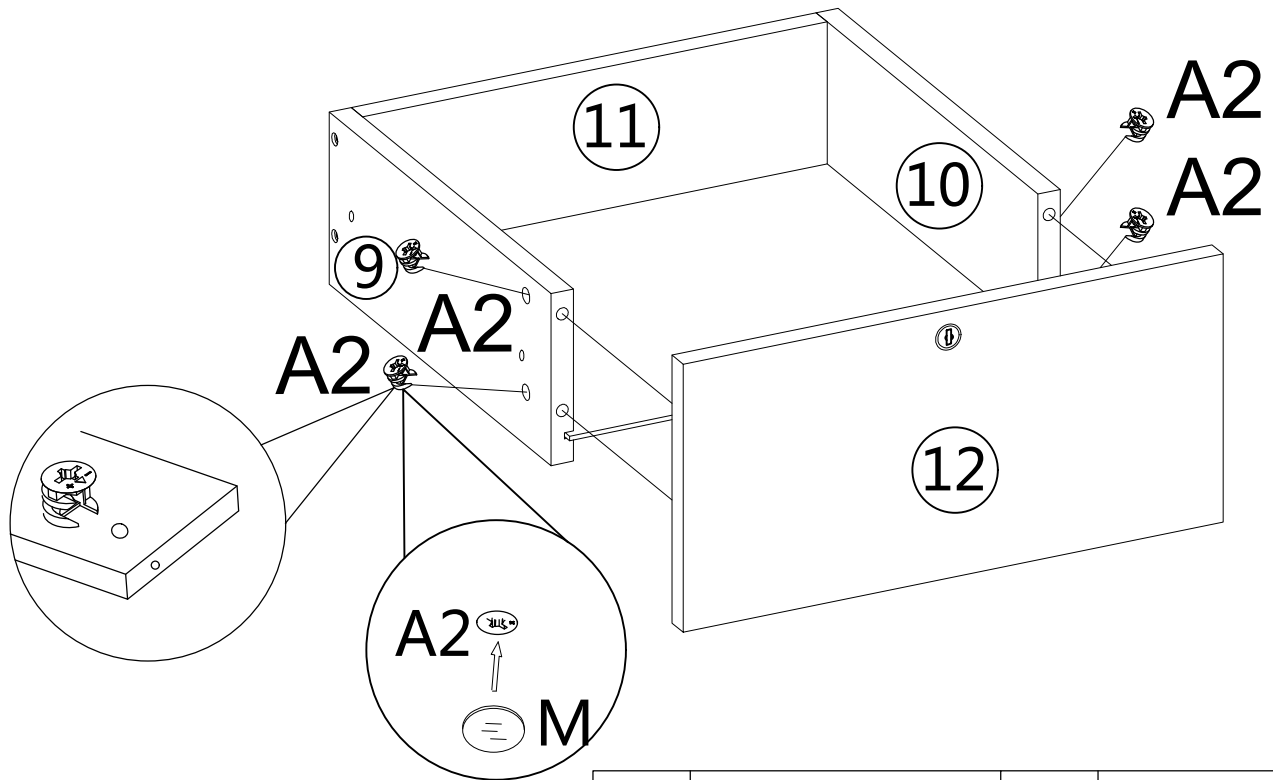
| | | | | | |
|---|-----------|---|----------|--|---------|
|  | A1 × 4PCS |  | D × 4PCS |  | H × 1PC |
|---|-----------|---|----------|--|---------|


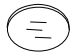
STEP 14



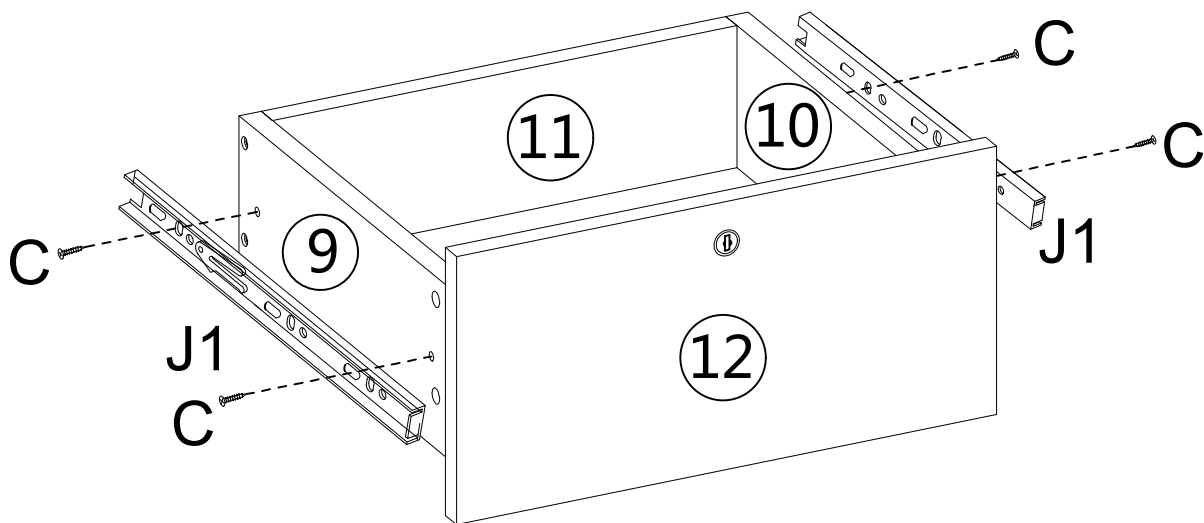
| | |
|---|-----------|
|  | A1 × 4PCS |
|---|-----------|



STEP 15



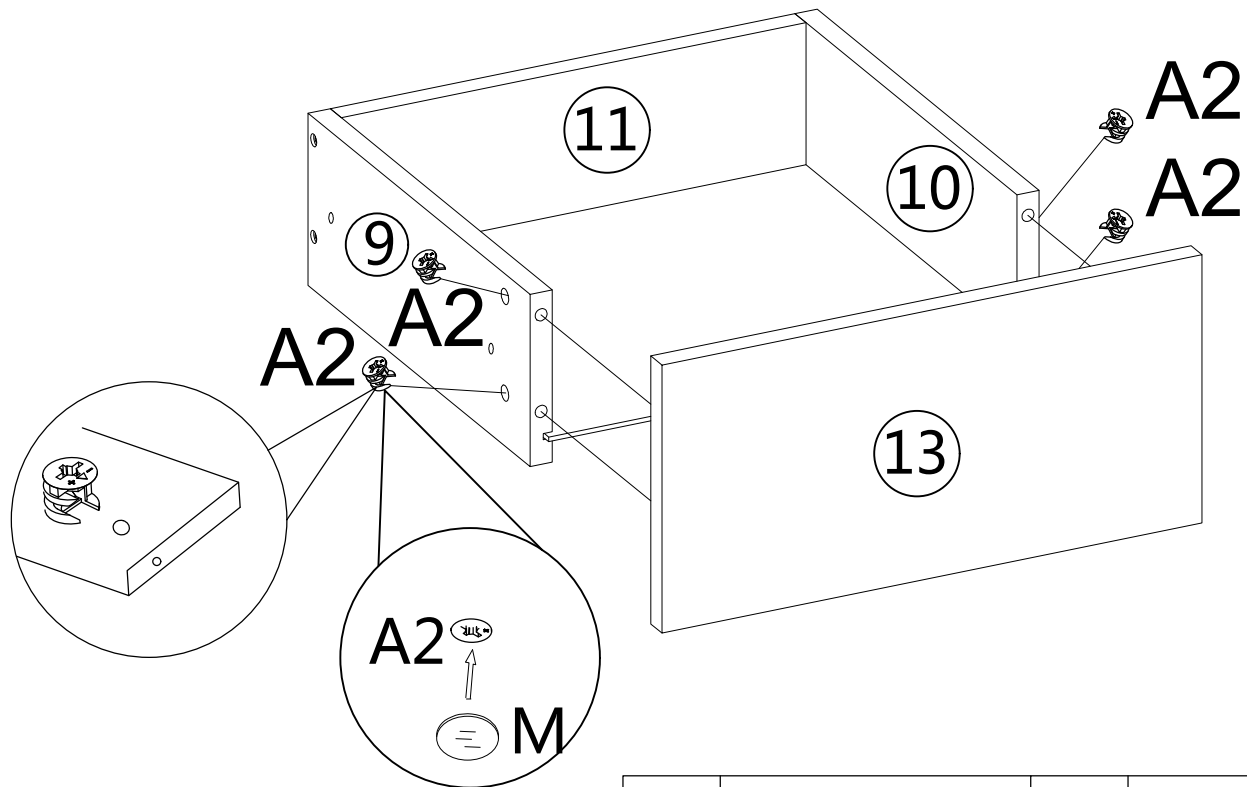
| | | | |
|---|-----------|---|----------|
|  | A2 × 4PCS |  | M × 4PCS |
|---|-----------|---|----------|



STEP 16



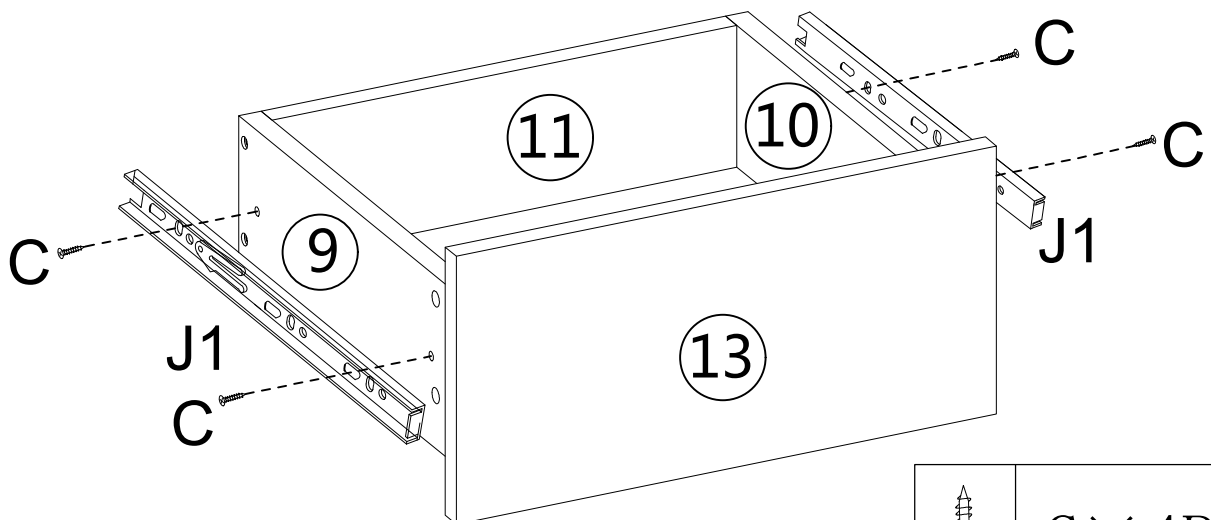
| | |
|---|-----------|
|  | C × 4PCS |
|  | J1 × 2PCS |



STEP 17



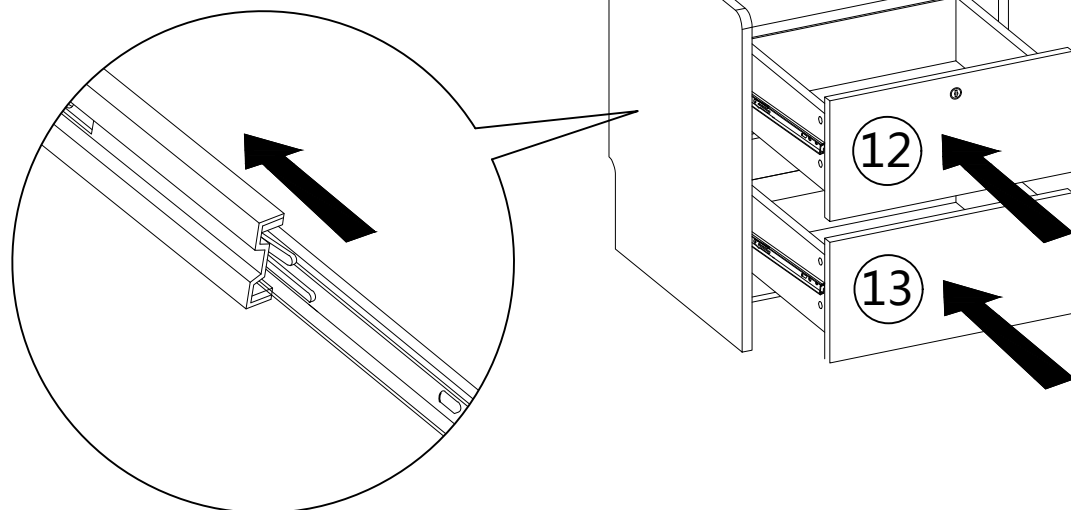
| | | | |
|---|-----------|---|----------|
|  | A2 × 4PCS |  | M × 4PCS |
|---|-----------|---|----------|

STEP 18

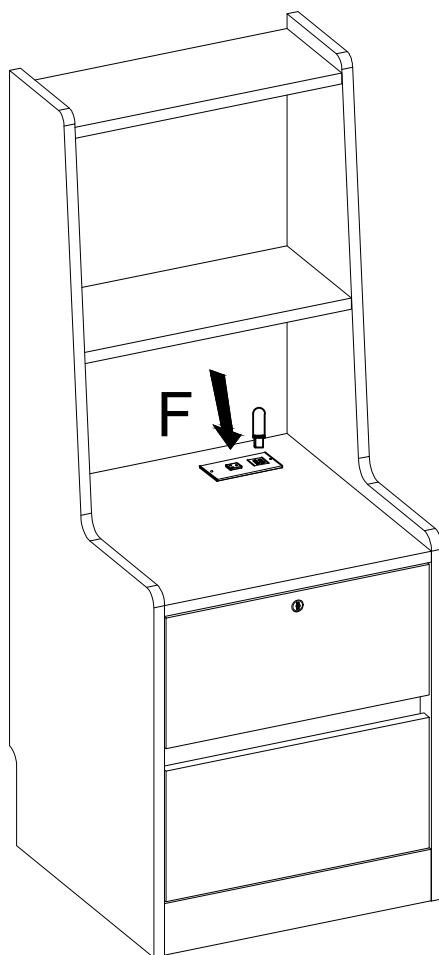


| | |
|---|-----------|
|  | C × 4PCS |
|  | J1 × 2PCS |

STEP 19

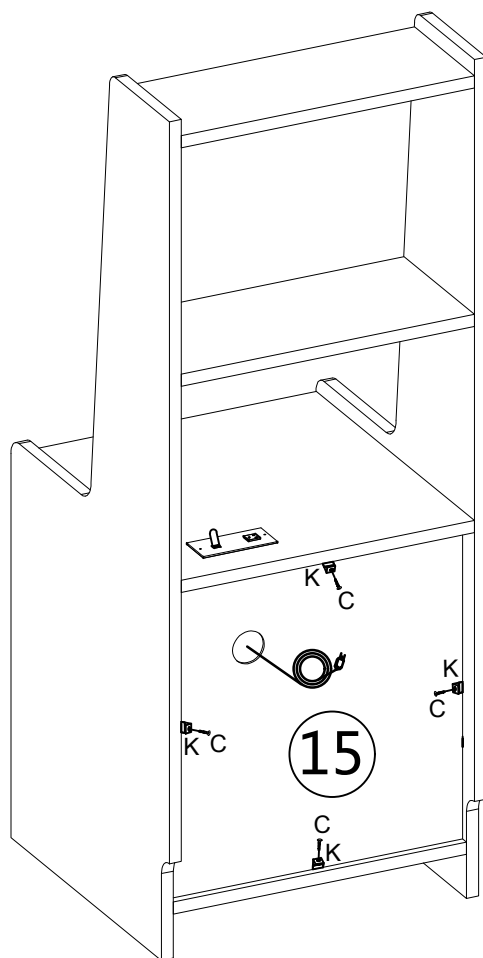




STEP 20



F × 1PC

STEP 21



| | |
|---|----------|
|  | C × 4PCS |
|  | K × 4PCS |

END

