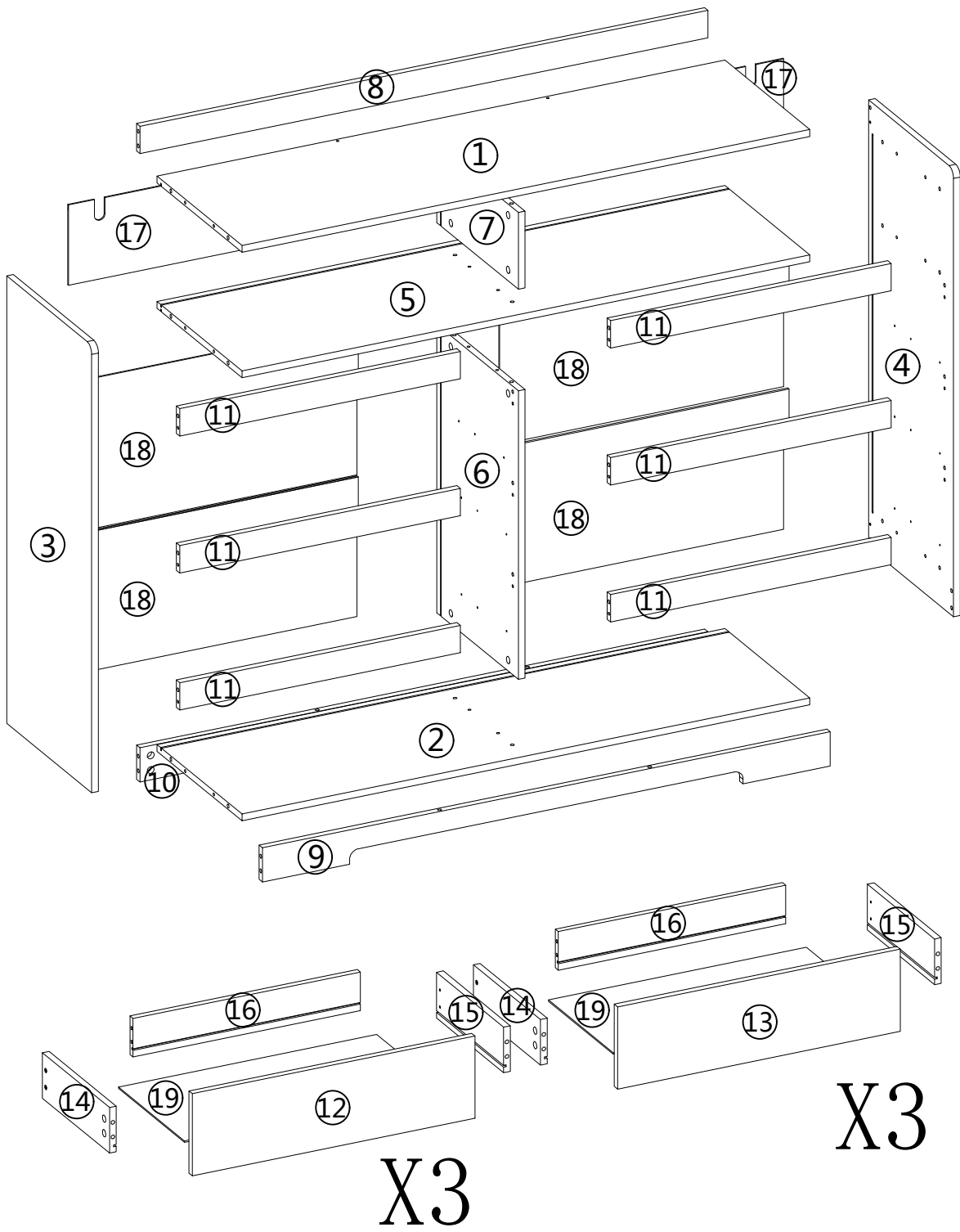


DS-SB004W



A

A1 A2
74PCS

B

$\phi 8 \times 30 \text{mm}$ 22PCS

C

$\phi 8 \times 50 \text{mm}$ 5PCS

D

M3.5*14mm 94PCS

E

M3.5*35mm 24PCS

F

M3.5*40mm 2PCS

G

M8*40mm 2PCS

H

CR CL DR DL
L=300mm 6PCS

I

I1 I2 I3 I4
I5*4 I6*4
1PC

J

6PCS

K

20PCS

L

65X32X15mm 2PCS

M

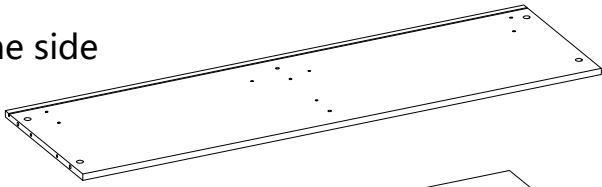
L=627mm 2PCS

N

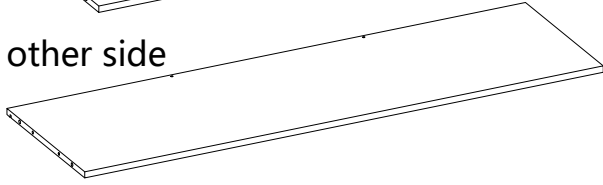
$\phi 21 \text{mm}$ 74PCS

1

one side



the other side

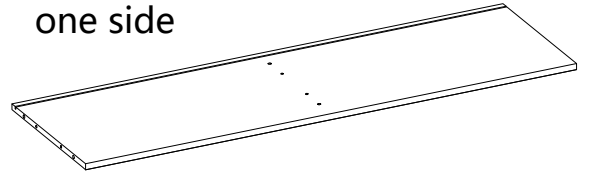


1270*379*15mm

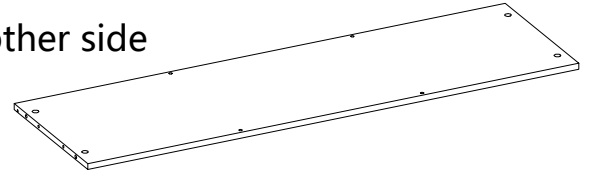
1 PC

2

one side



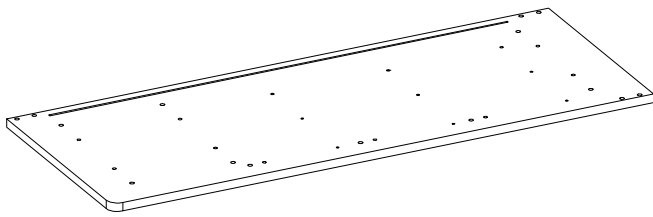
the other side



1270*379*15mm

1 PC

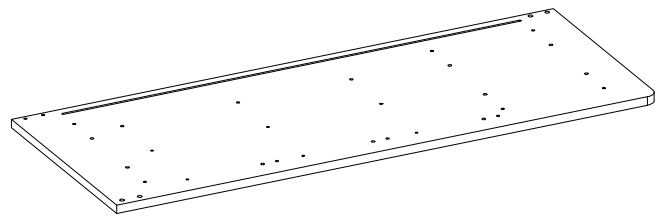
3



980*380*15mm

1 PC

4

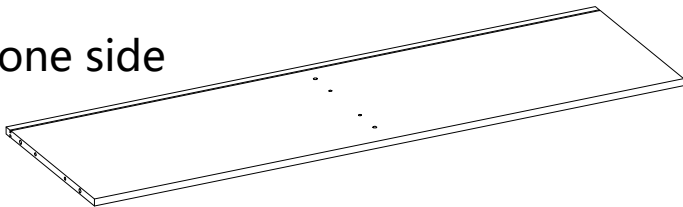


980*380*15mm

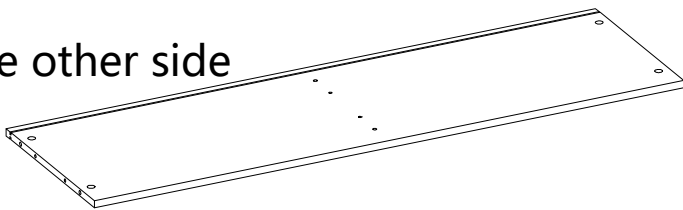
1 PC

5

one side



the other side

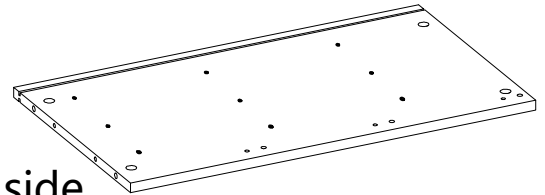


1270*379*15mm

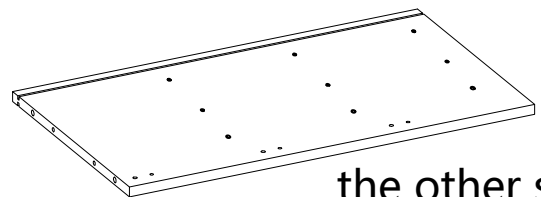
1 PC

6

one side



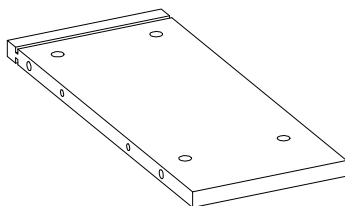
the other side



632*364*15mm

1 PC

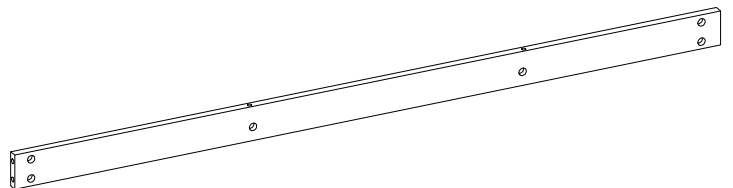
7



167*364*15mm

1 PC

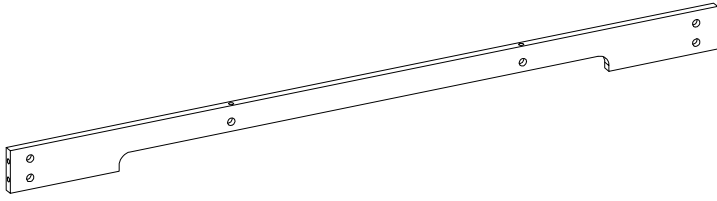
8



1270*60*15mm

1 PC

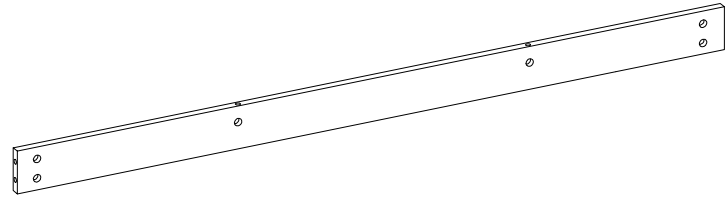
9



1270*75*15mm

1 PC

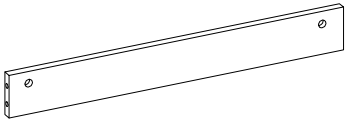
10



1270*75*15mm

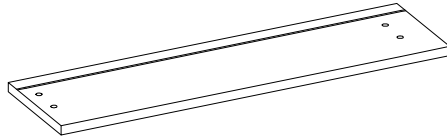
1 PC

11



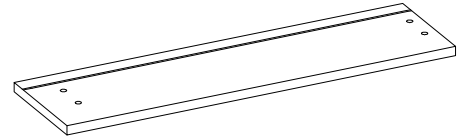
627.5*50*15mm 6 PCS

12



180*632*15mm 3 PCS

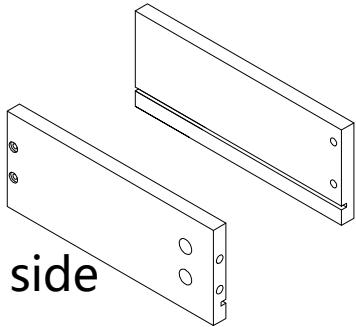
13



180*632*15mm 3 PCS

14

the other side

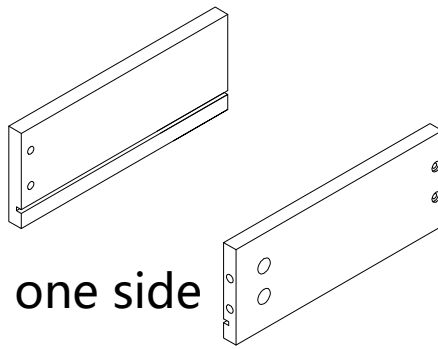


one side

300*100*15mm 6 PCS

15

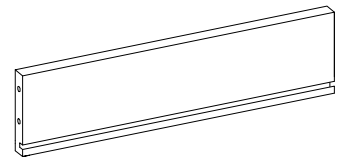
the other side



one side

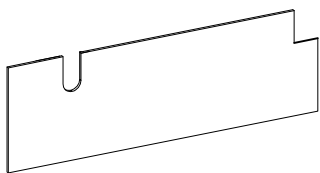
300*100*15mm 6 PCS

16



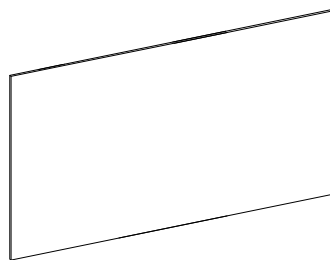
572.5*100*15mm 6 PCS

17



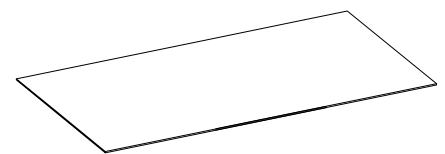
636.5*176*3mm 2 PCS

18



636.5*320.5*3mm 4PCS

19



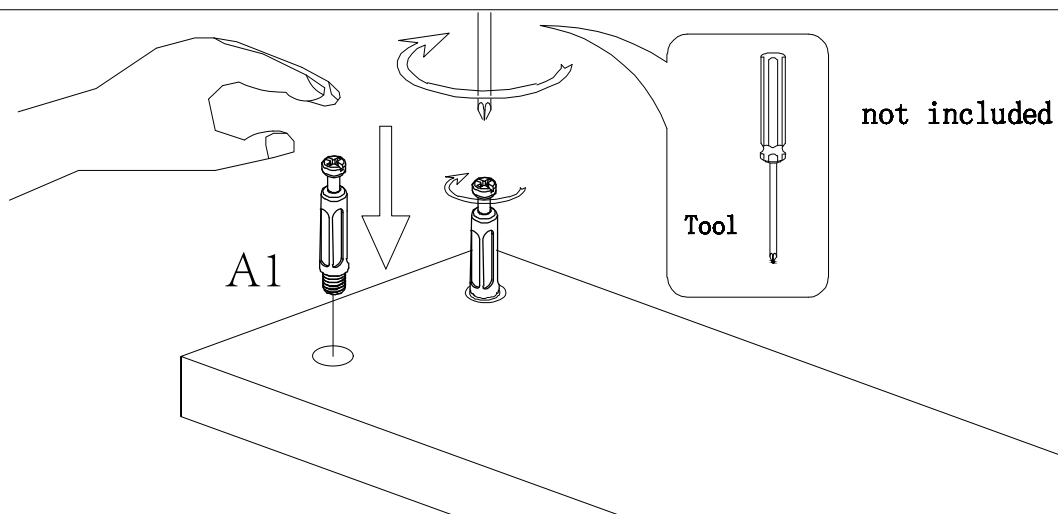
582.5*295*3mm 6 PCS

Hardware installation demonstration

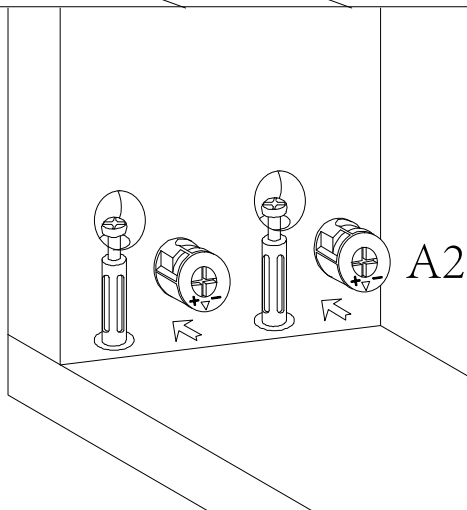


NOTE: Please make sure "A1" hardware tightened and can't be pulled out!

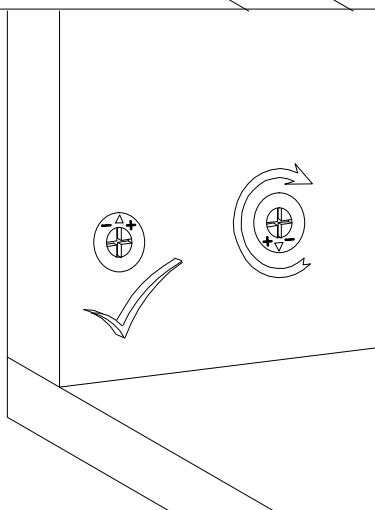
I



II

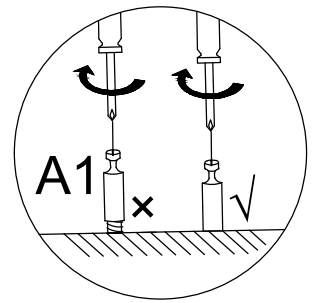
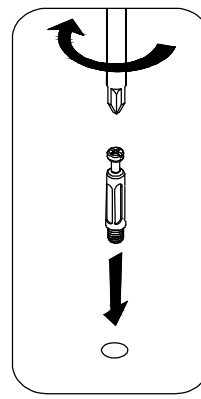


III

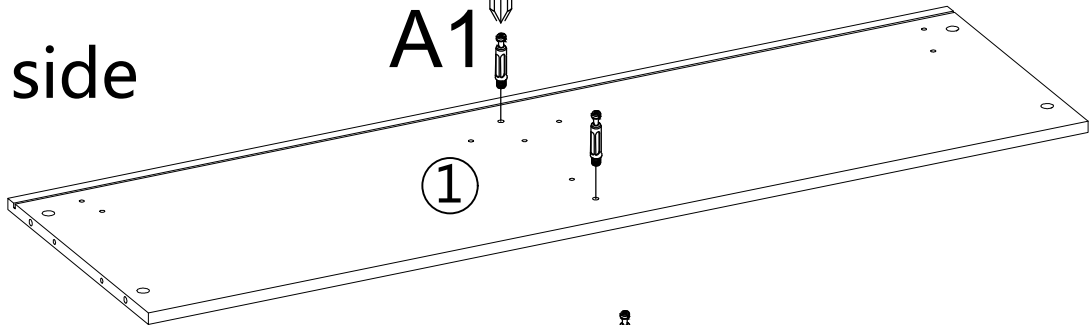
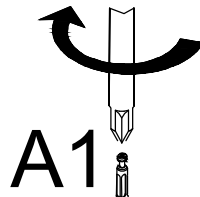


STEP 1

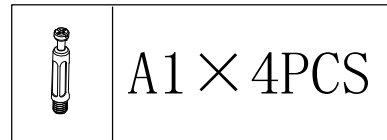
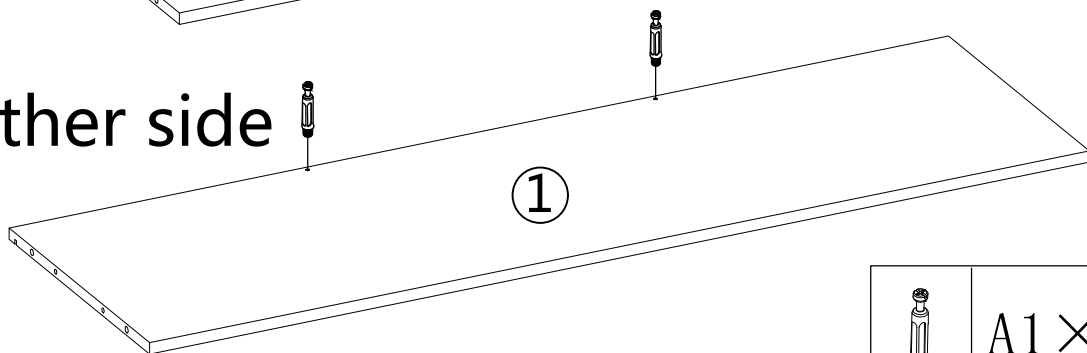
Tighten it , Same after



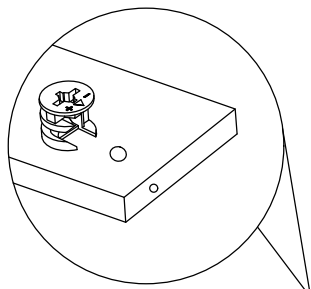
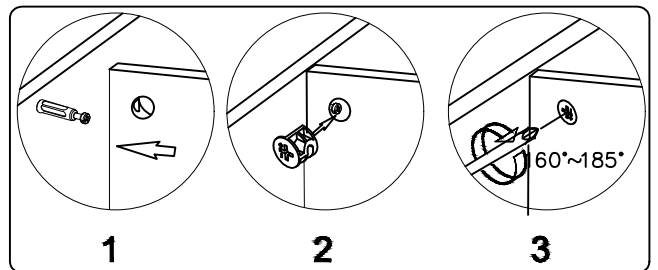
one side



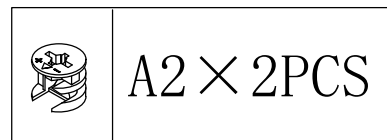
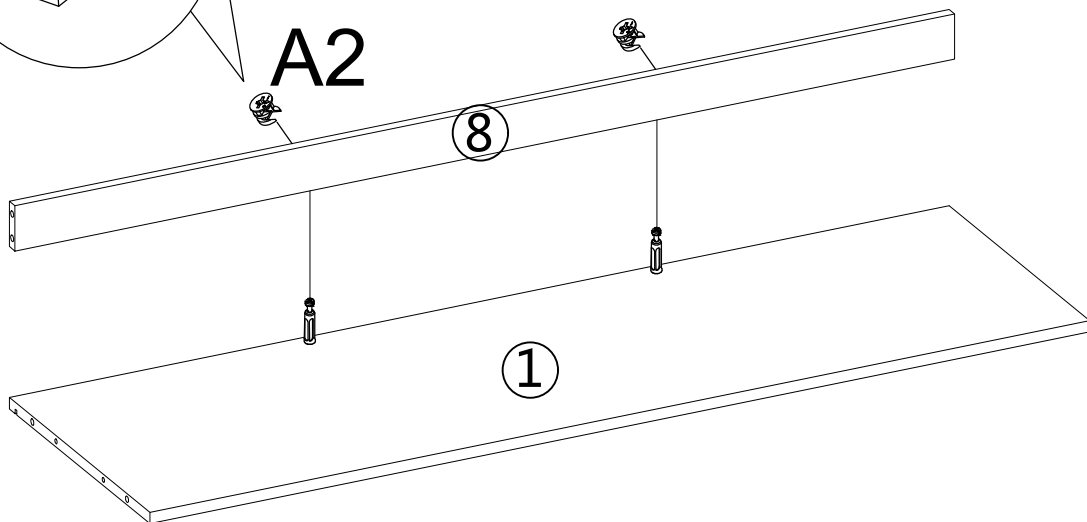
the other side



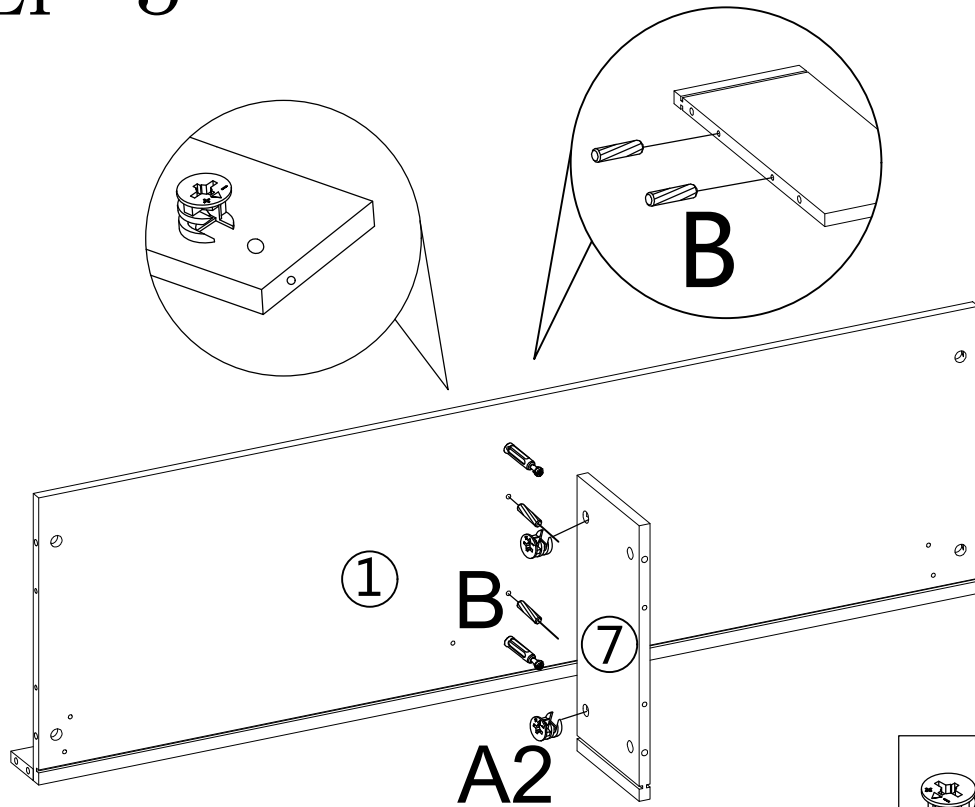
STEP 2





A2



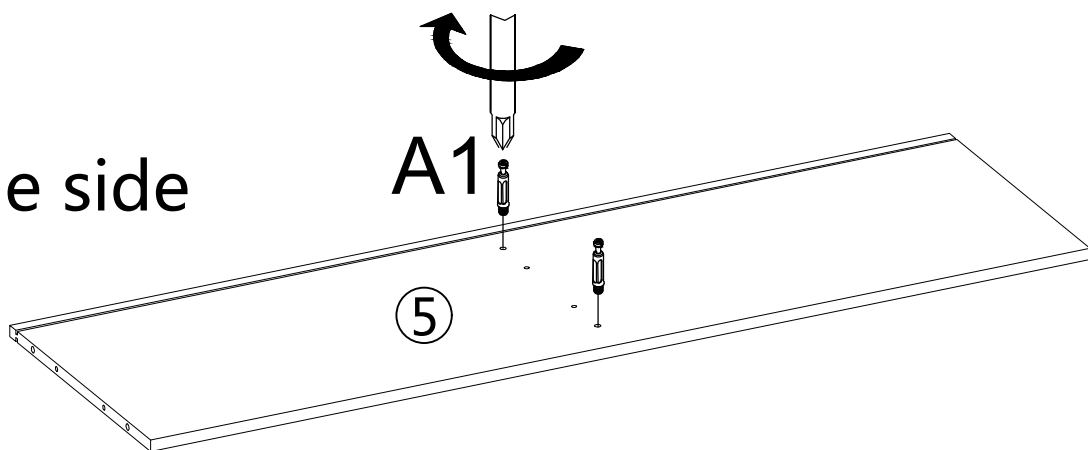
STEP 3



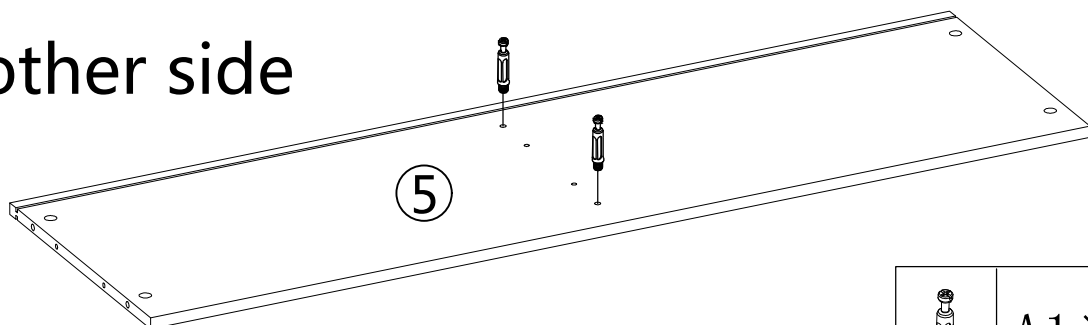
| | |
|---|-----------|
|  | A2 × 2PCS |
|  | B × 2PCS |


STEP 4

one side

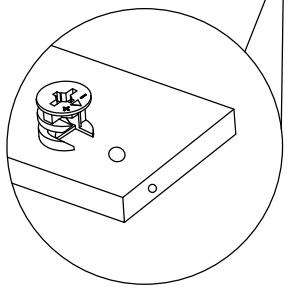
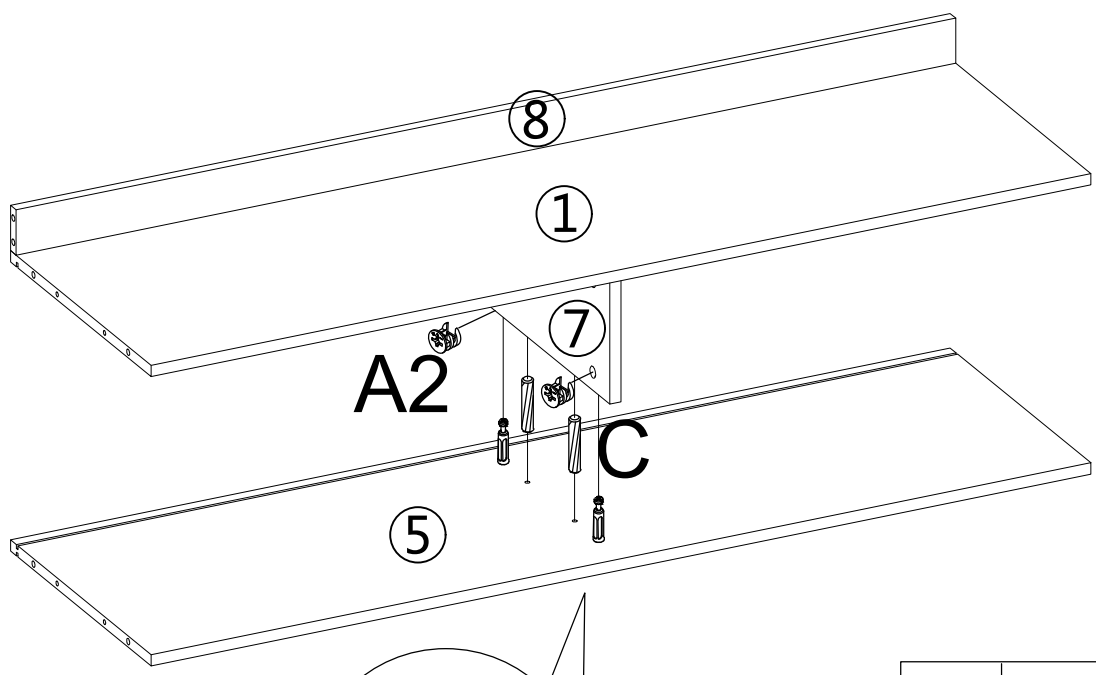




the other side



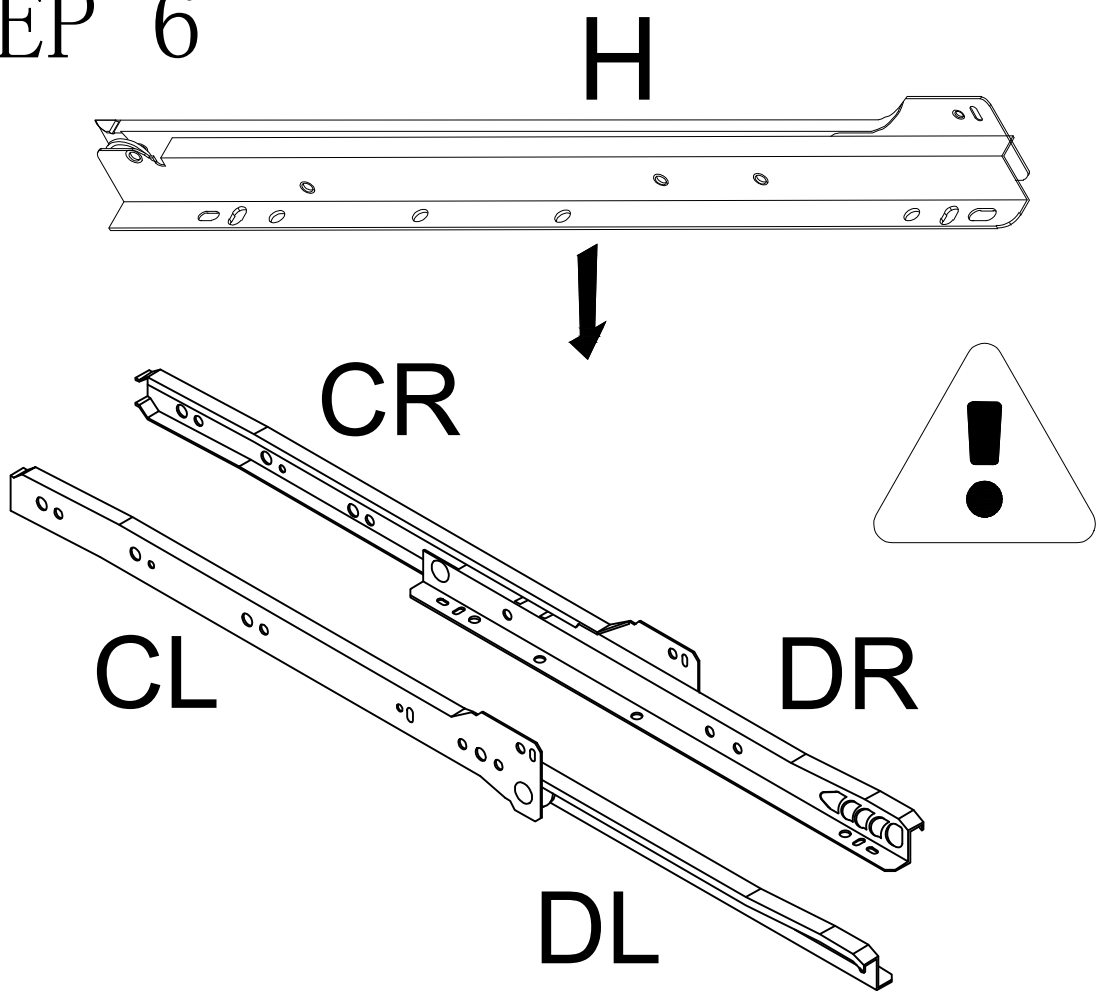
| | |
|---|-----------|
|  | A1 × 4PCS |
|---|-----------|

STEP 5



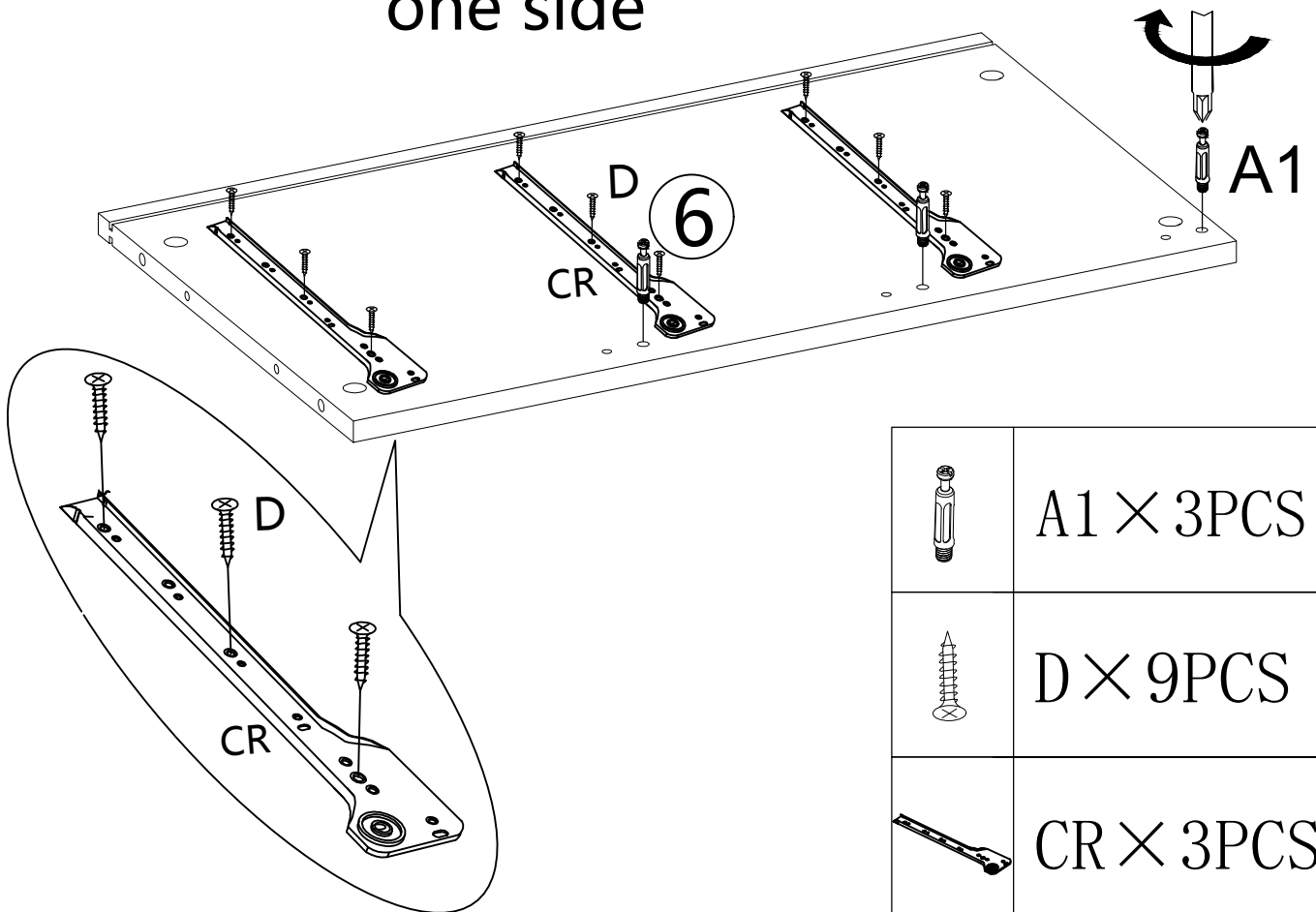
| | |
|--|-----------|
|  | A2 × 2PCS |
|  | C × 2PCS |




STEP 6



STEP 7

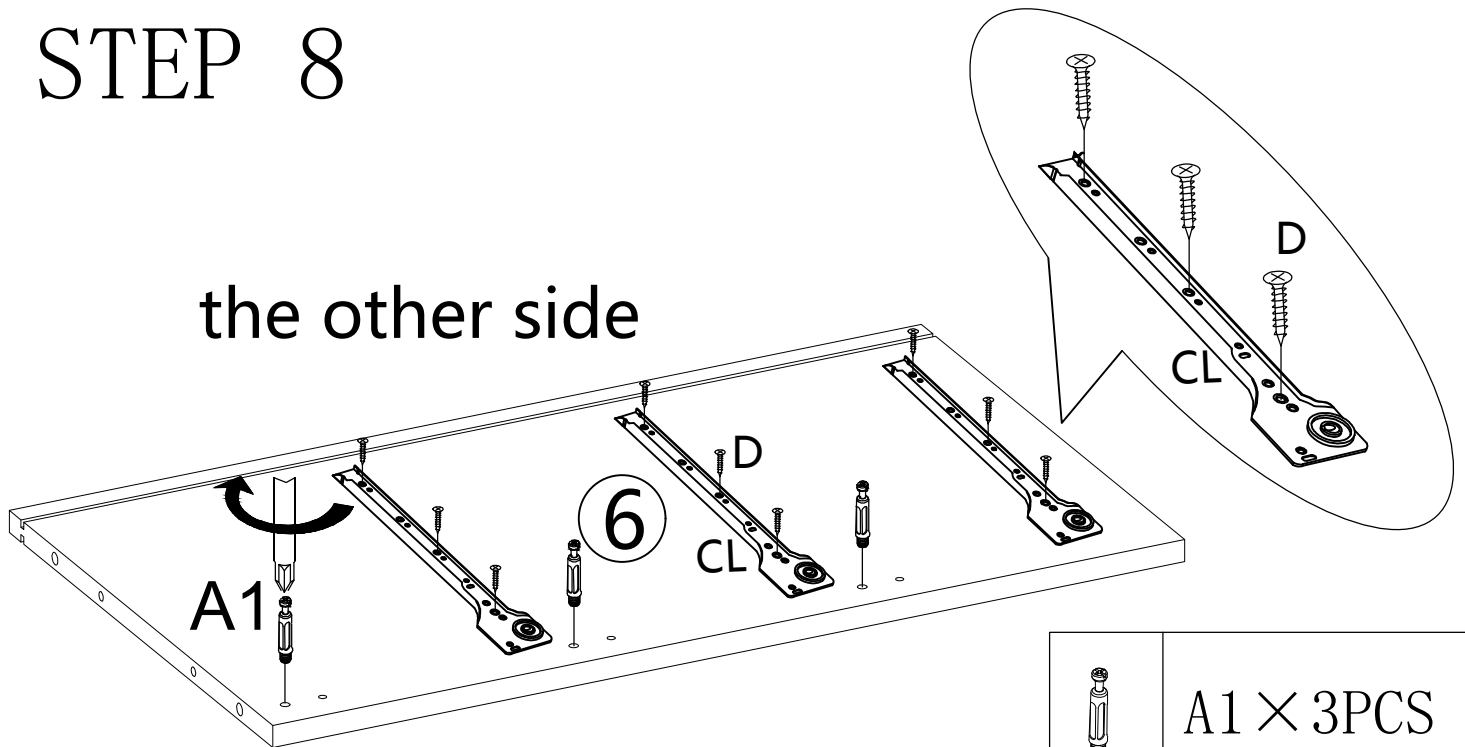
one side






| | |
|---|-----------|
|  | A1 × 3PCS |
|  | D × 9PCS |
|  | CR × 3PCS |

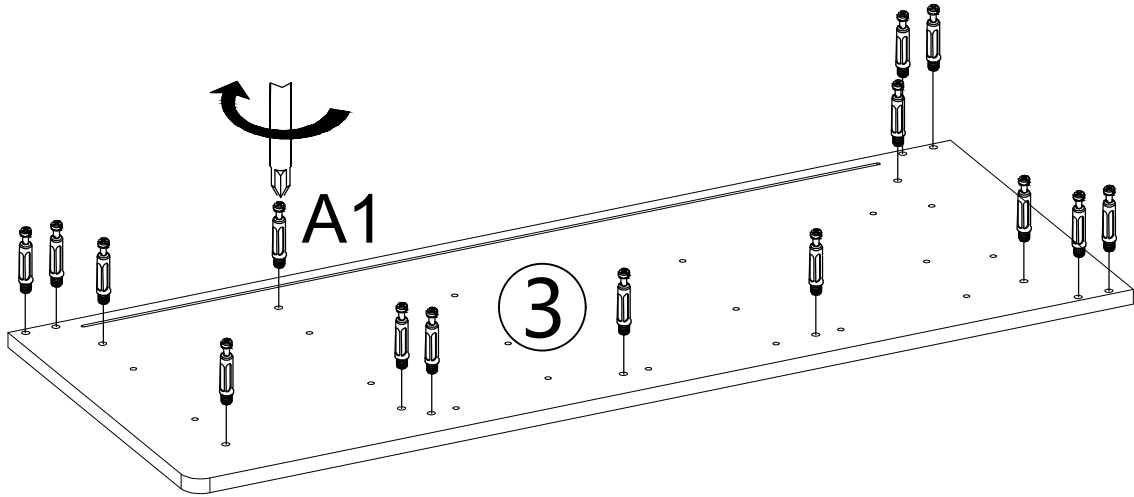
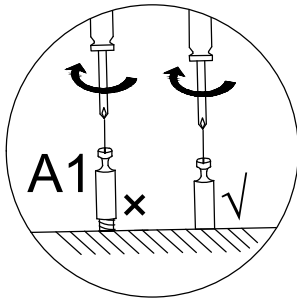
STEP 8


the other side



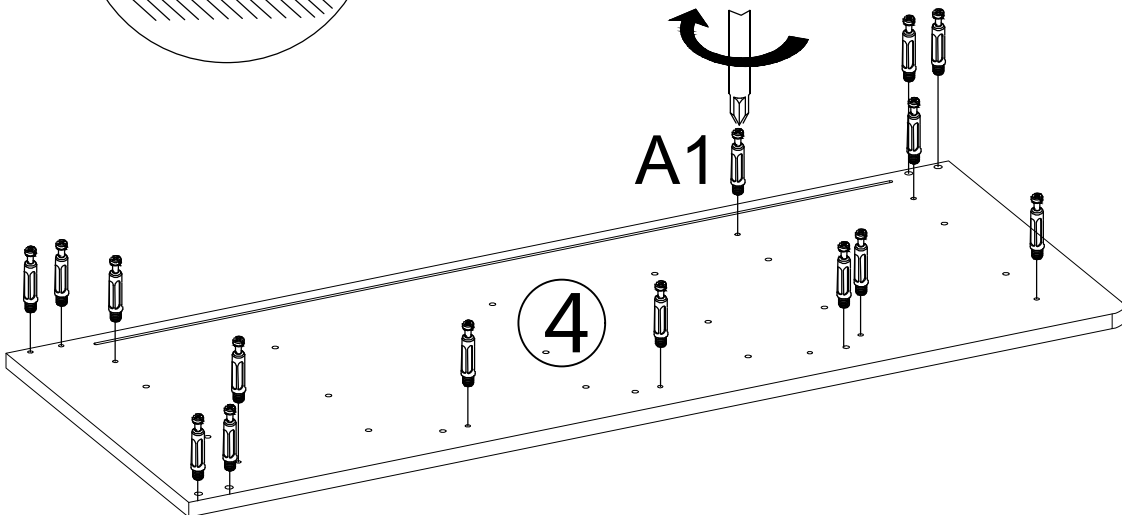
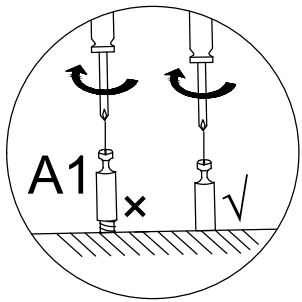
| | |
|---|-----------|
|  | A1 × 3PCS |
|  | D × 9PCS |
|  | CL × 3PCS |


STEP 9



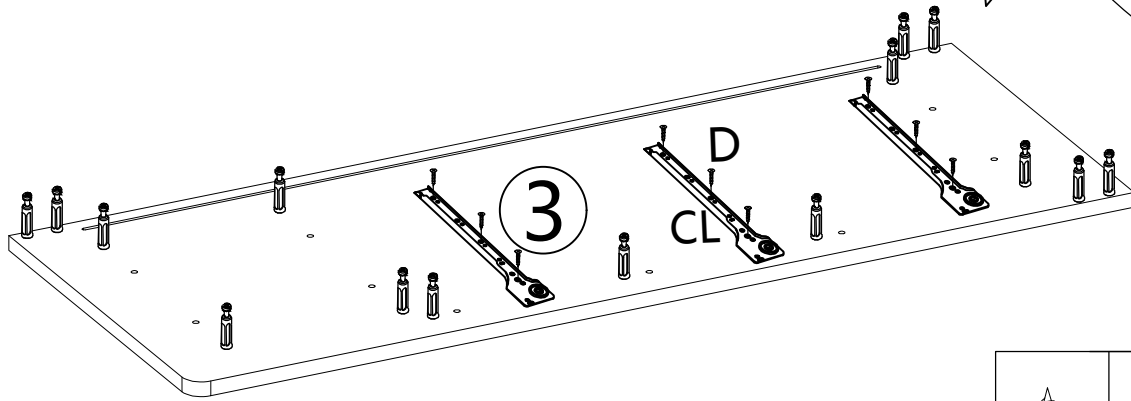
| | |
|---|------------|
|  | A1 × 15PCS |
|---|------------|



STEP 10



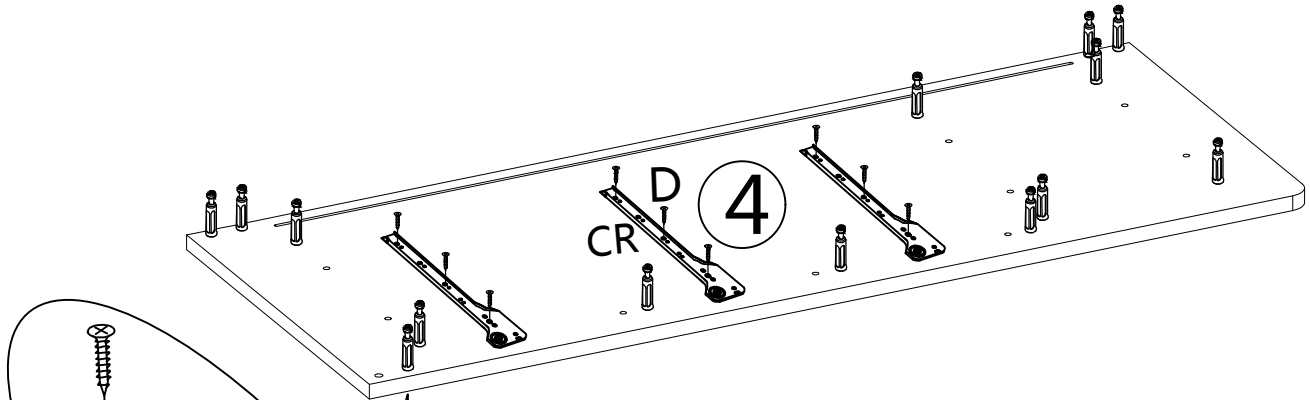
| | |
|---|------------|
|  | A1 × 15PCS |
|---|------------|



STEP 11



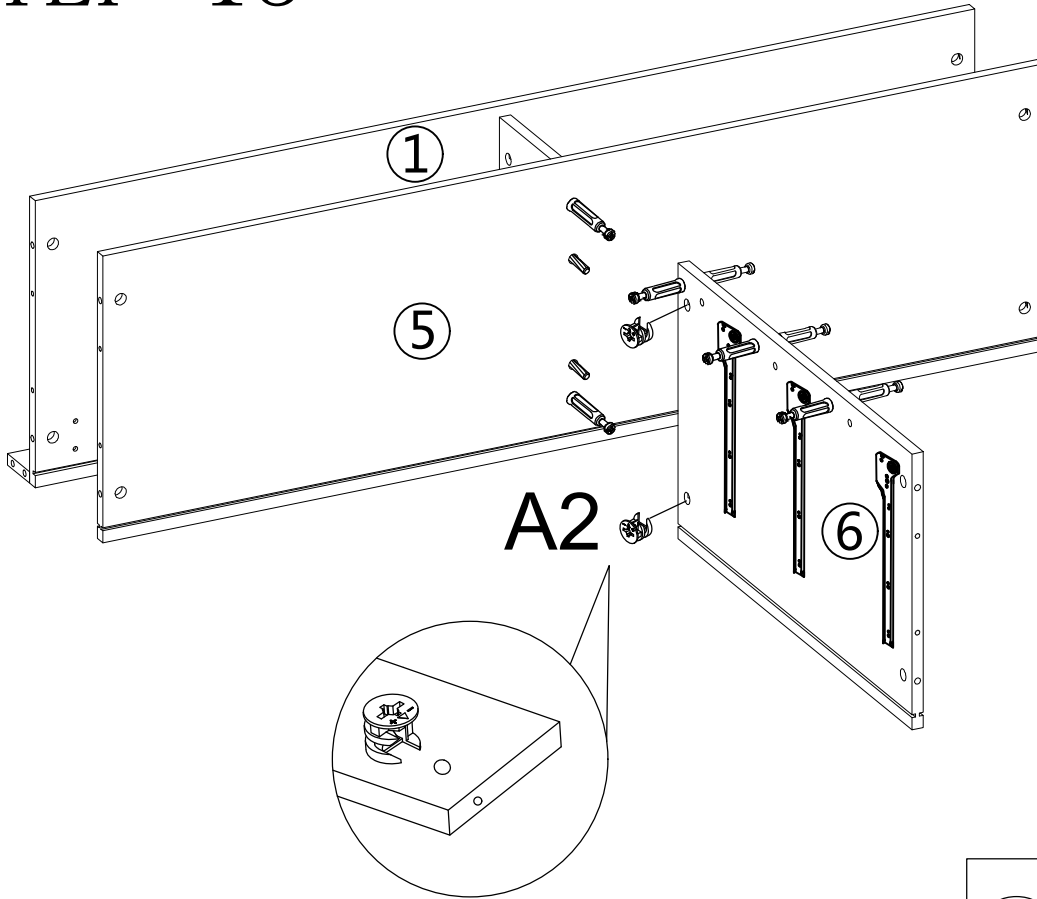
| | |
|--|-----------|
|  | D × 9PCS |
|  | CL × 3PCS |

STEP 12



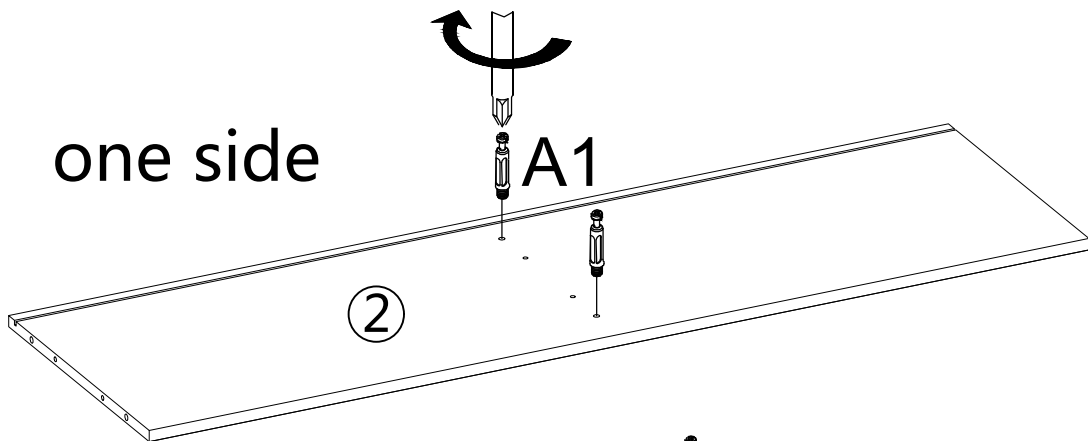
| | |
|---|-----------|
|  | D × 9PCS |
|  | CR × 3PCS |

STEP 13

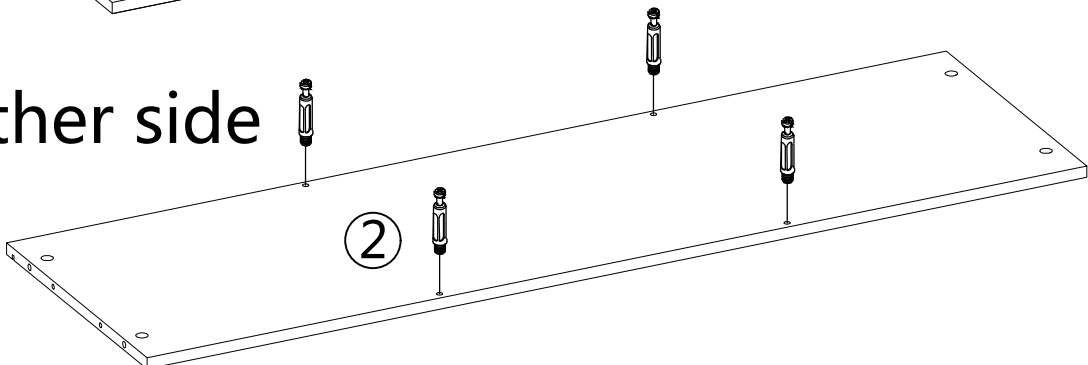


A2 × 2PCS

STEP 14

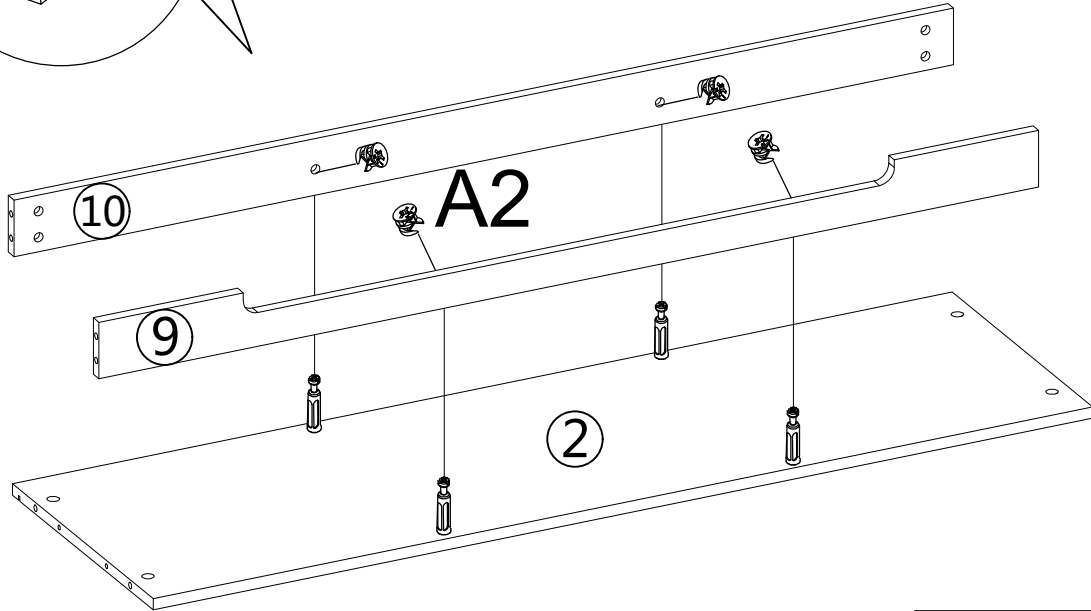
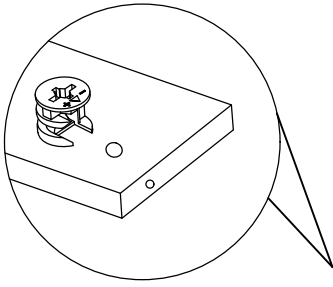


the other side



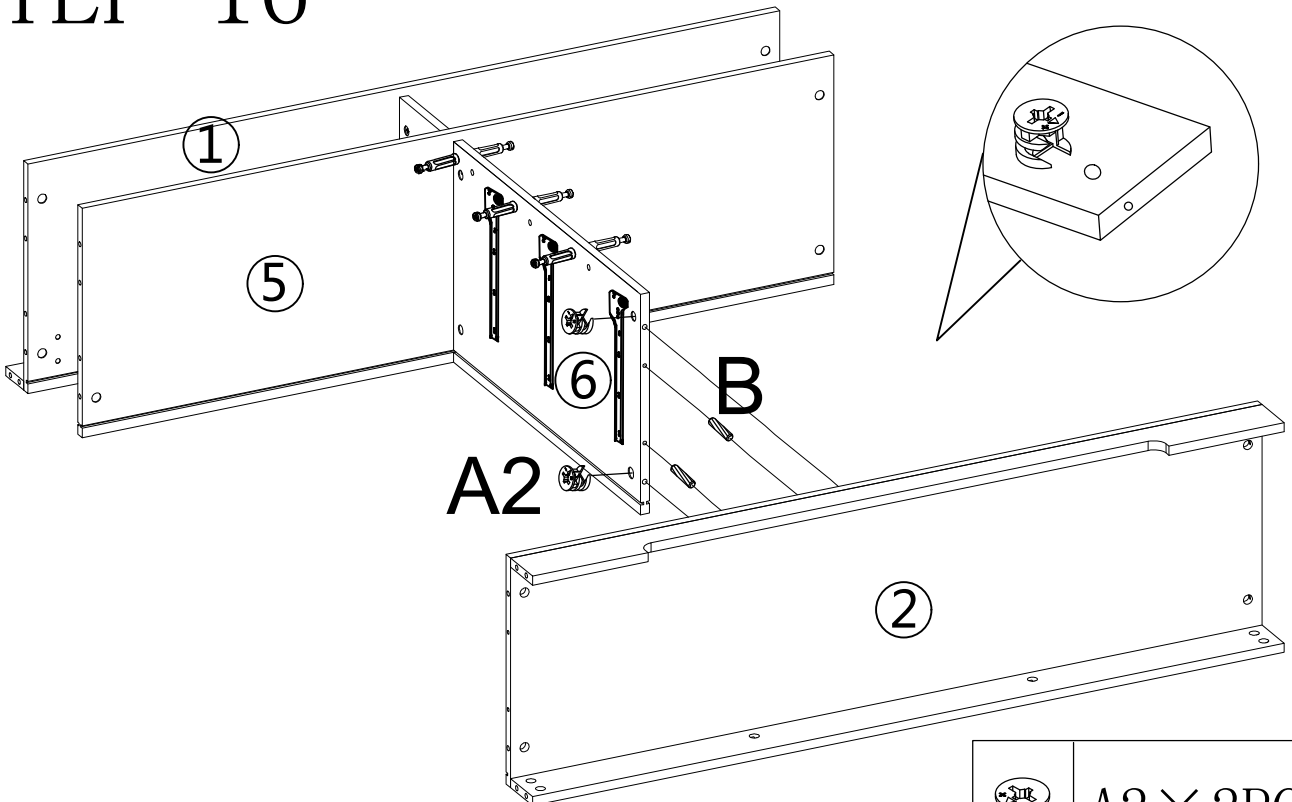
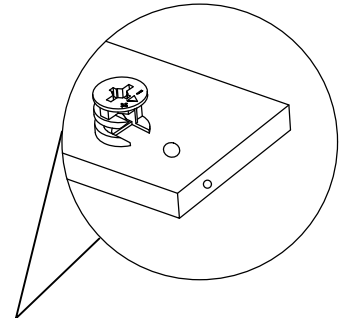
A1 × 6PCS

STEP 15



A2 × 4PCS

STEP 16

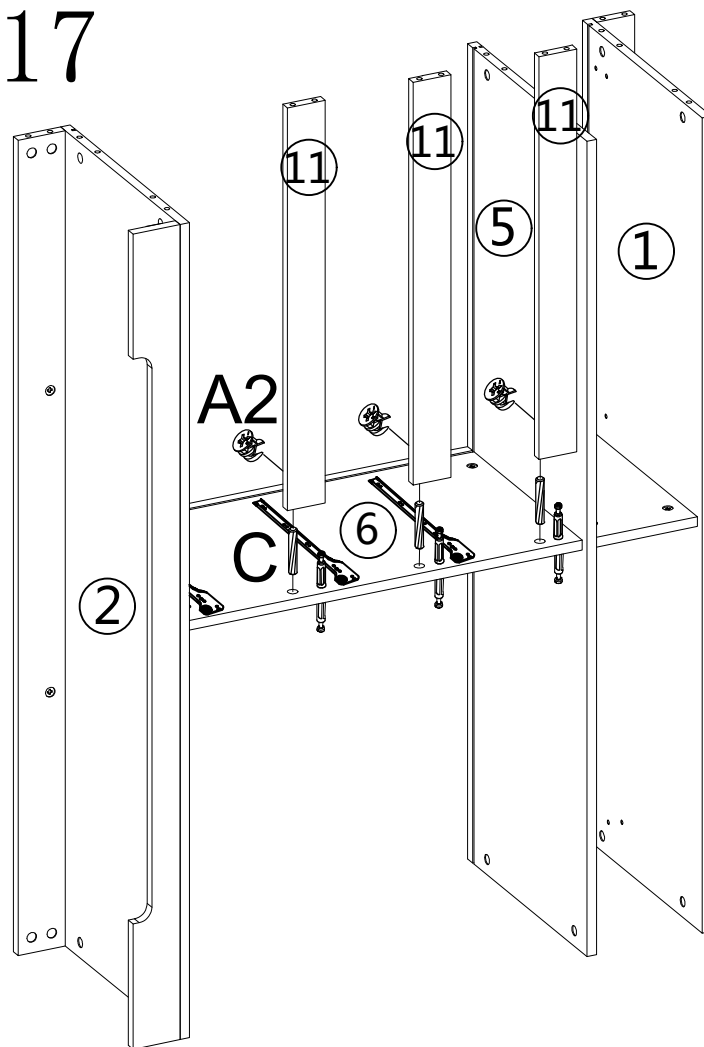




A2 × 2PCS



B × 2PCS

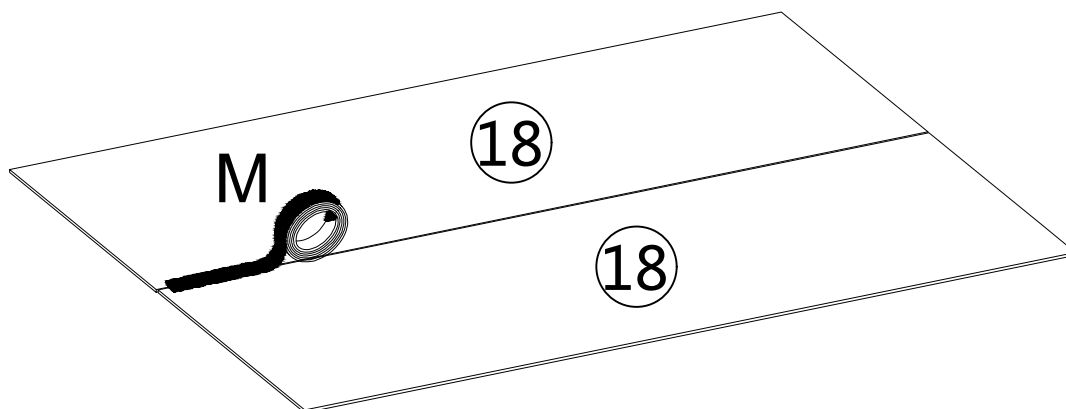
STEP 17




| | |
|--|-----------|
|  | A2 × 3PCS |
|  | C × 3PCS |

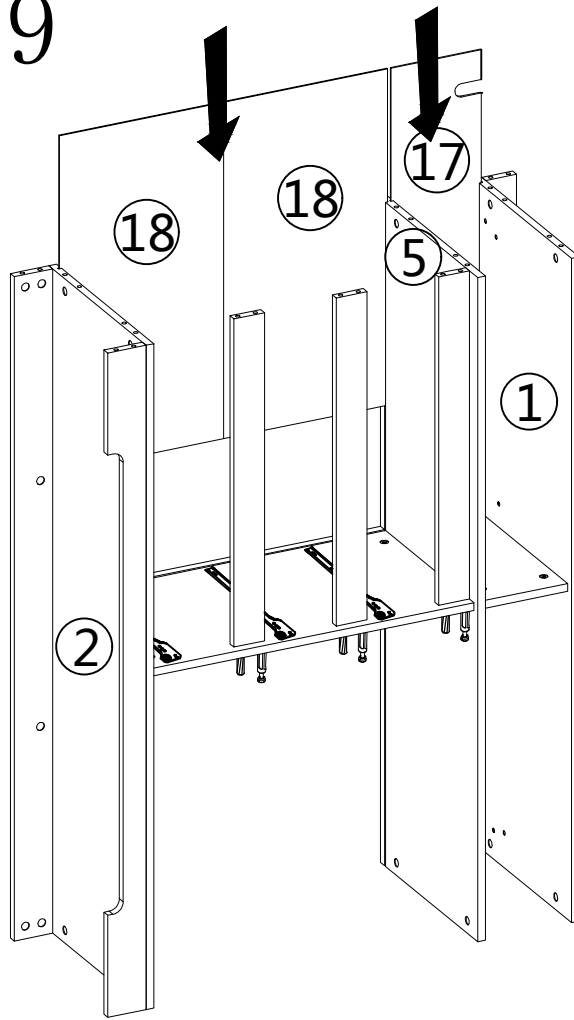
STEP 18

X2

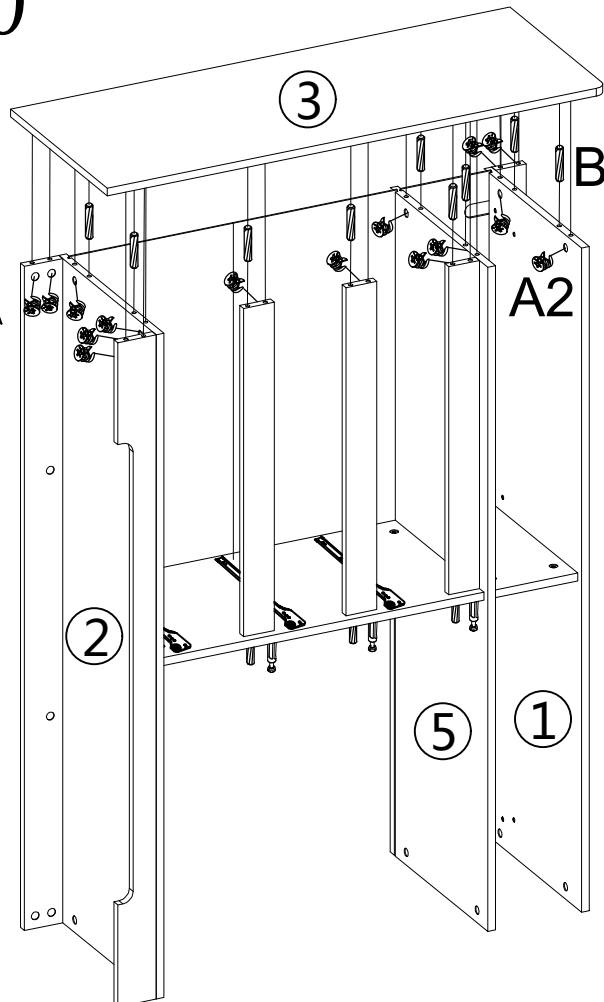
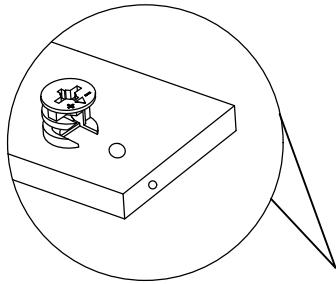




| | |
|---|---------|
|  | M × 1PC |
|---|---------|

STEP 19

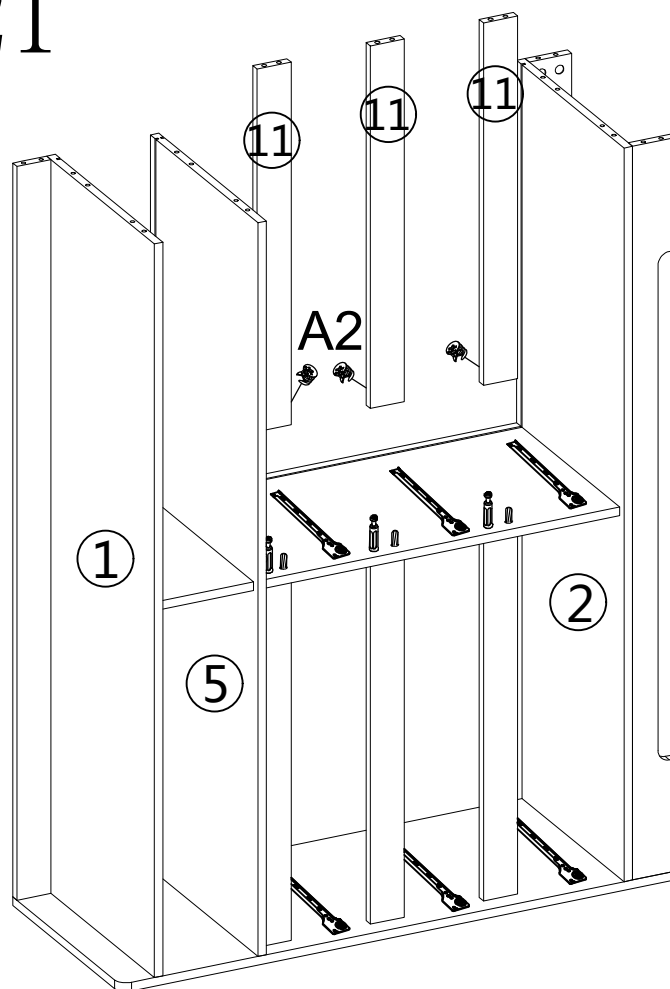


STEP 20



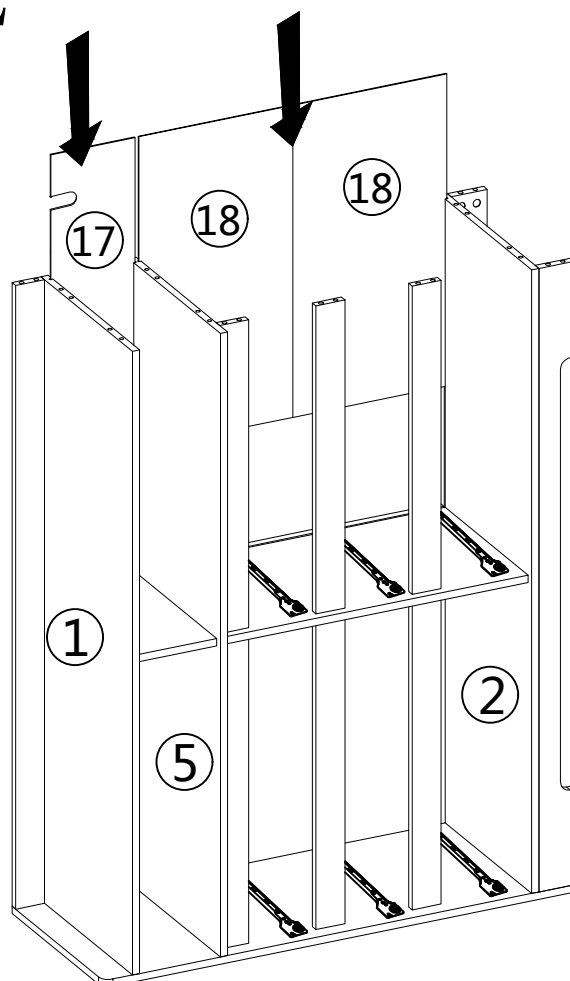
| | |
|---|------------|
|  | A2 × 15PCS |
|  | B × 9PCS |

STEP 21

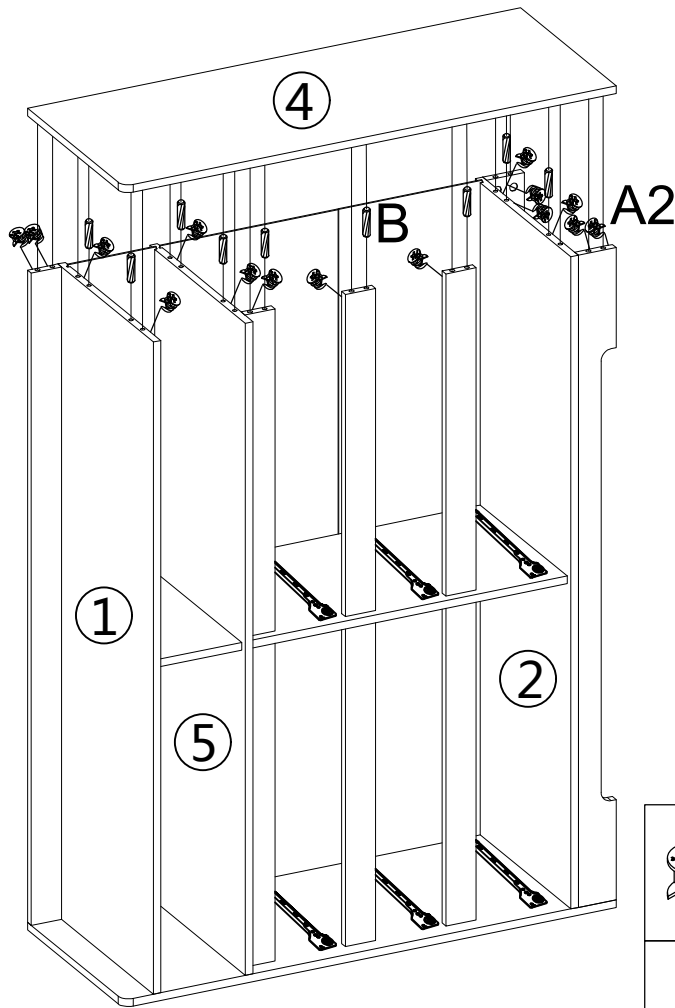
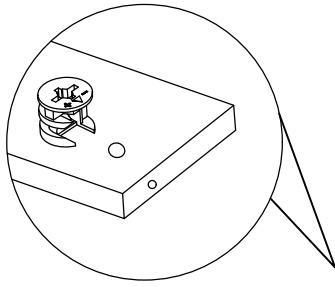




A2 × 3PCS

STEP 22

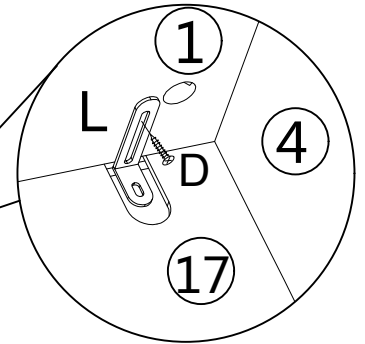
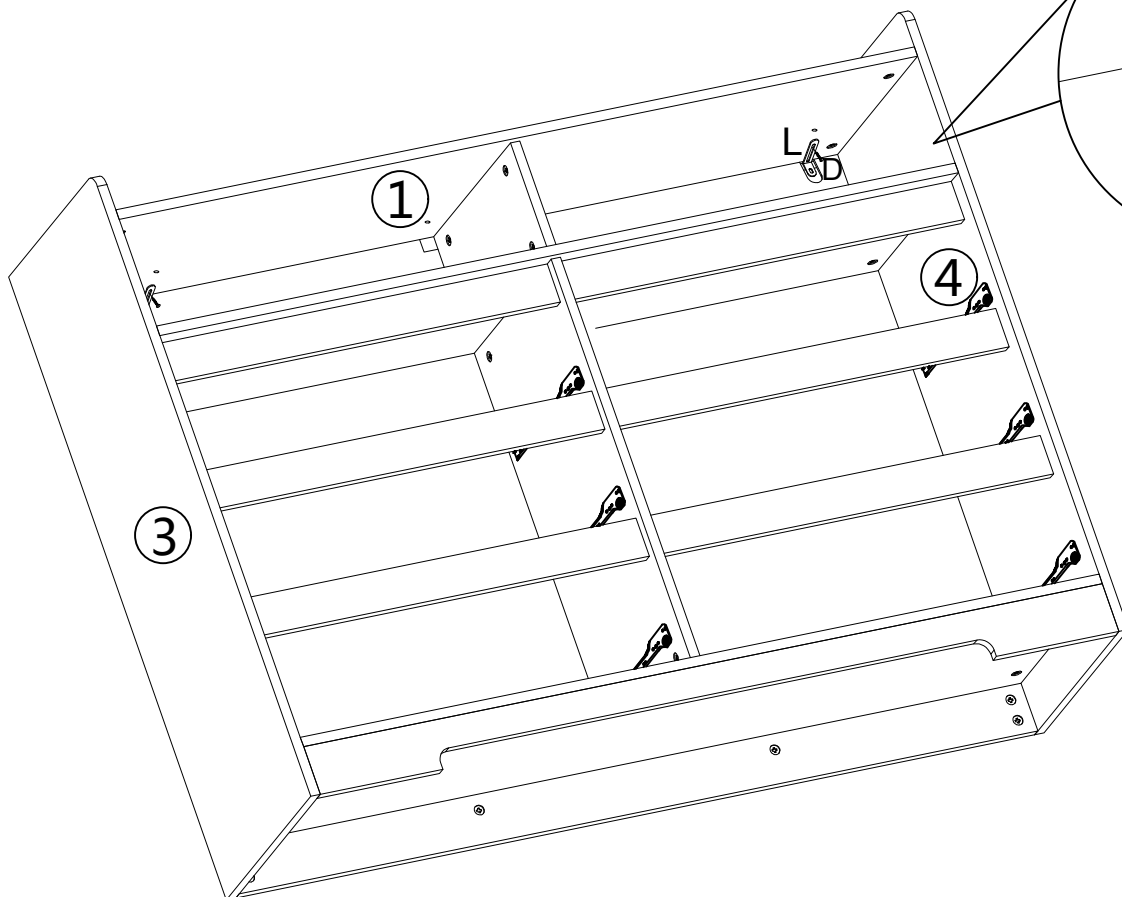




STEP 23



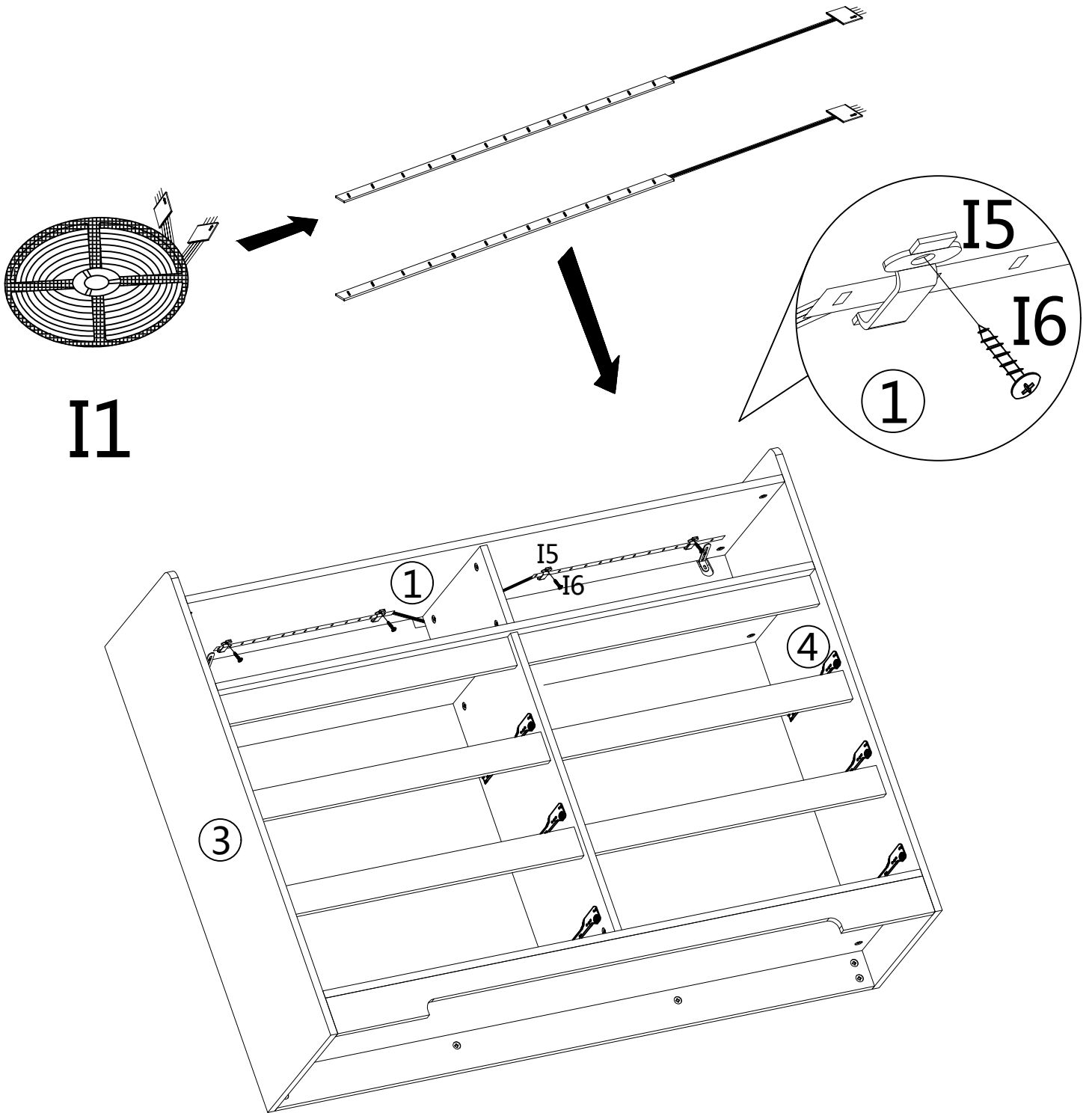
| | |
|---|------------|
|  | A2 × 15PCS |
|  | B × 9PCS |

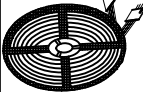
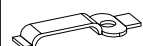

STEP 24



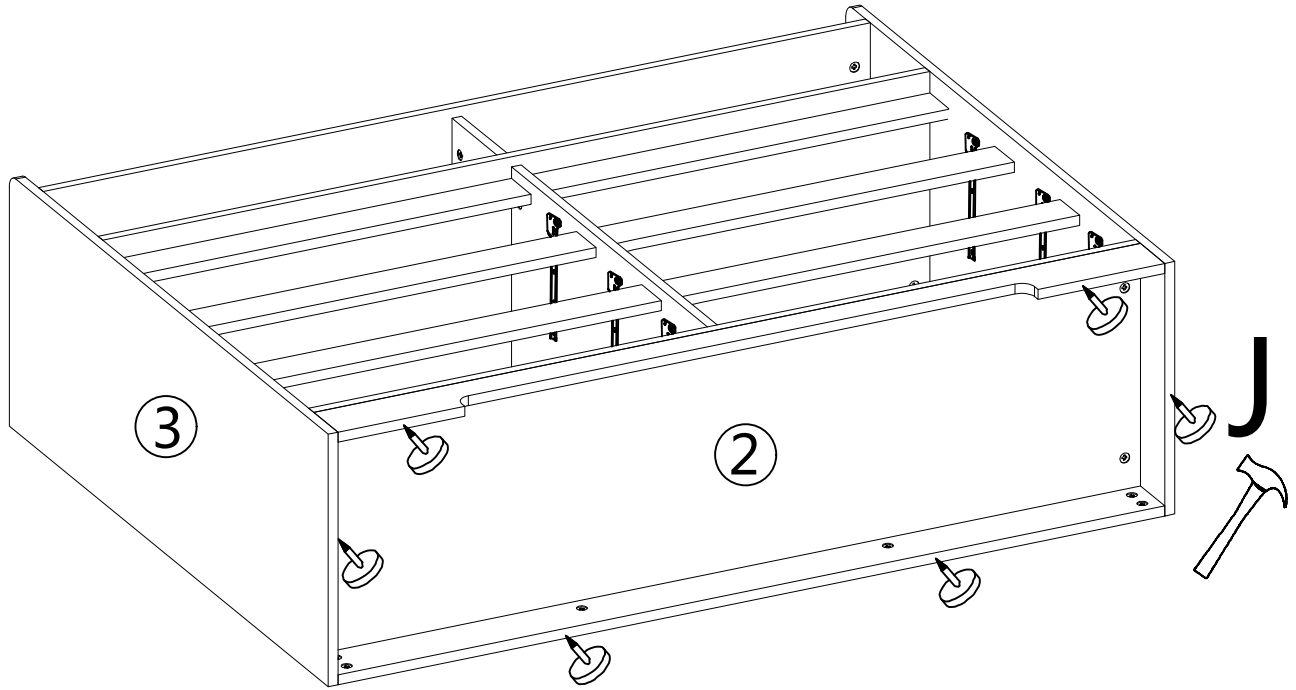
| | |
|---|----------|
|  | D × 2PCS |
|  | L × 2PCS |


STEP 25



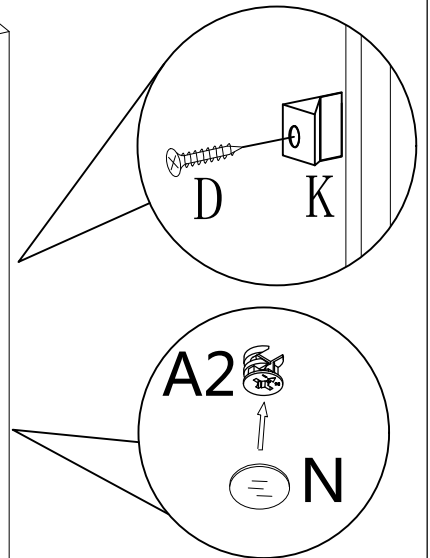
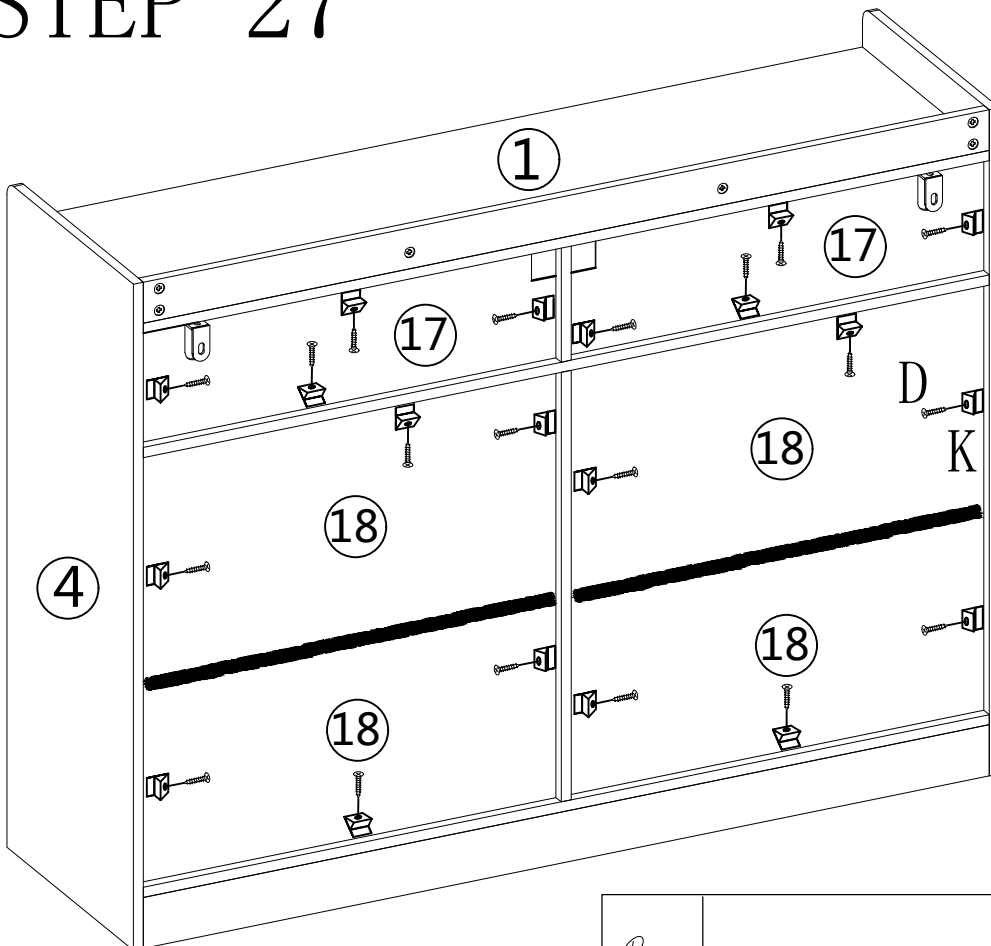
| | |
|---|-----------|
|  | I1 × 1PC |
|  | I5 × 4PCS |
|  | I6 × 4PCS |

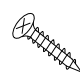

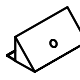
STEP 26



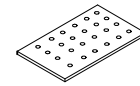
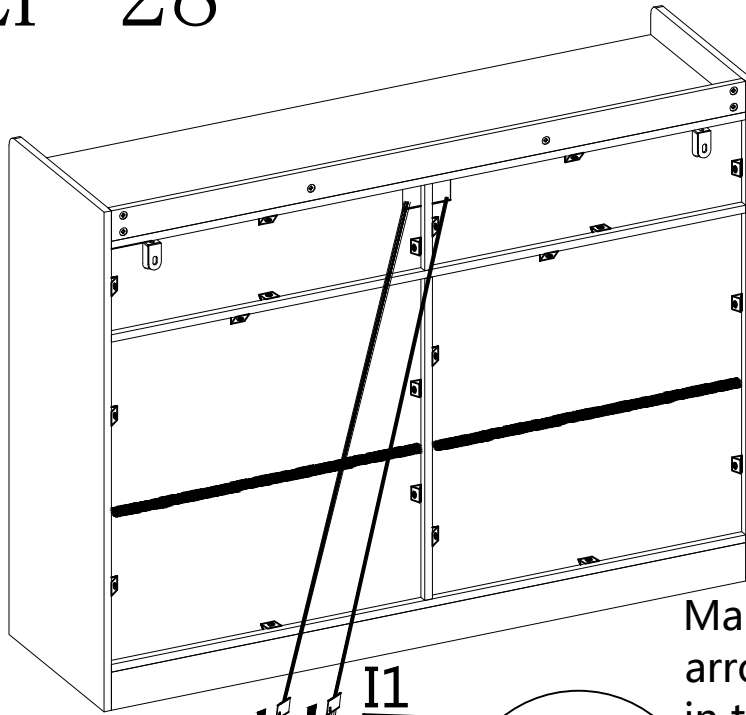
| | |
|--|----------|
|  | J × 6PCS |
|--|----------|

STEP 27



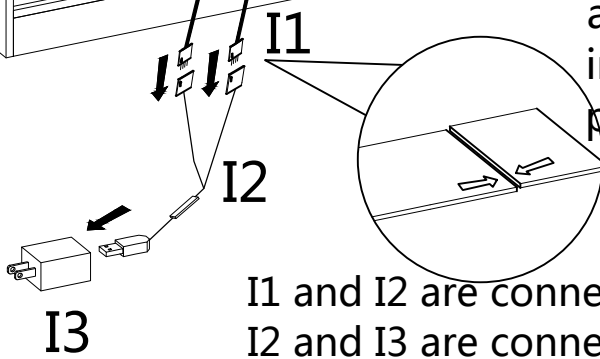
| | | | |
|---|-----------|---|-----------|
|  | D × 20PCS |  | N × 50PCS |
| | |  | K × 20PCS |

STEP 28



I4

Last: lug the I3 into the power supply !
I4 can be adjusted !

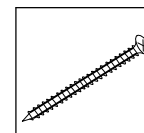
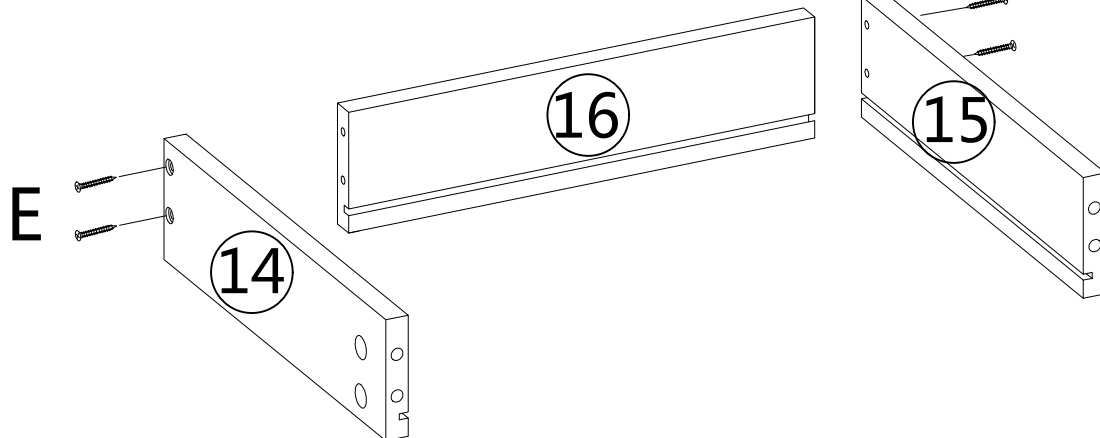


Make sure the arrows are in the same position !

| | |
|--|----------|
| | I2 × 1PC |
| | I3 × 1PC |
| | I4 × 1PC |

STEP 29

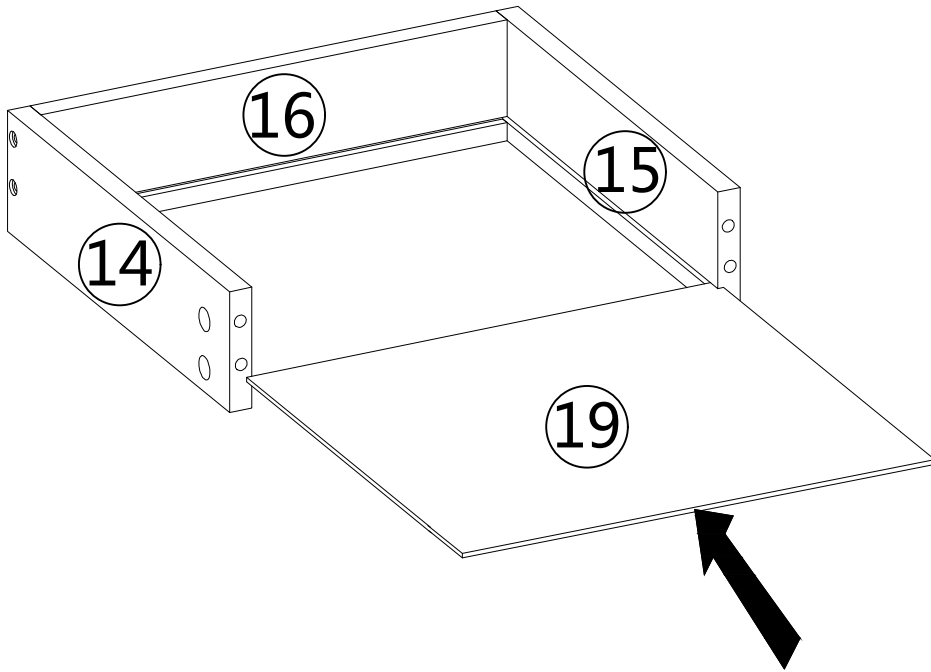
X6



E × 4PCS

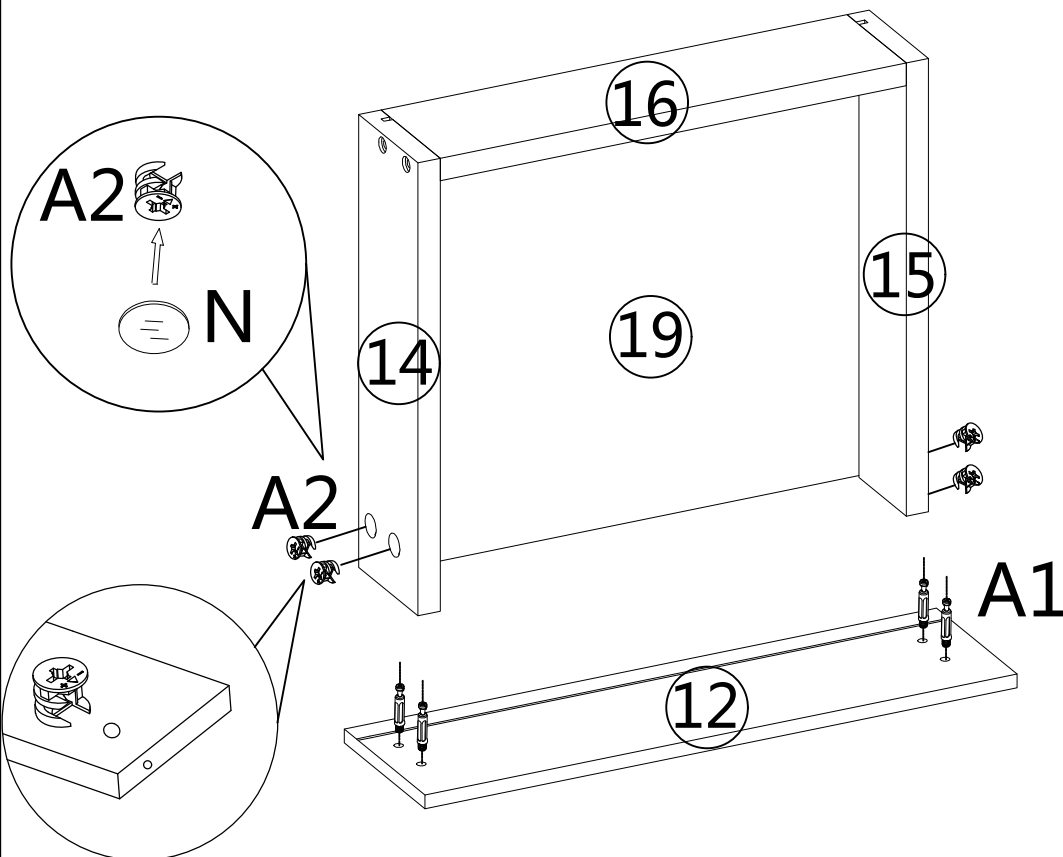
STEP 30




X6



STEP 31

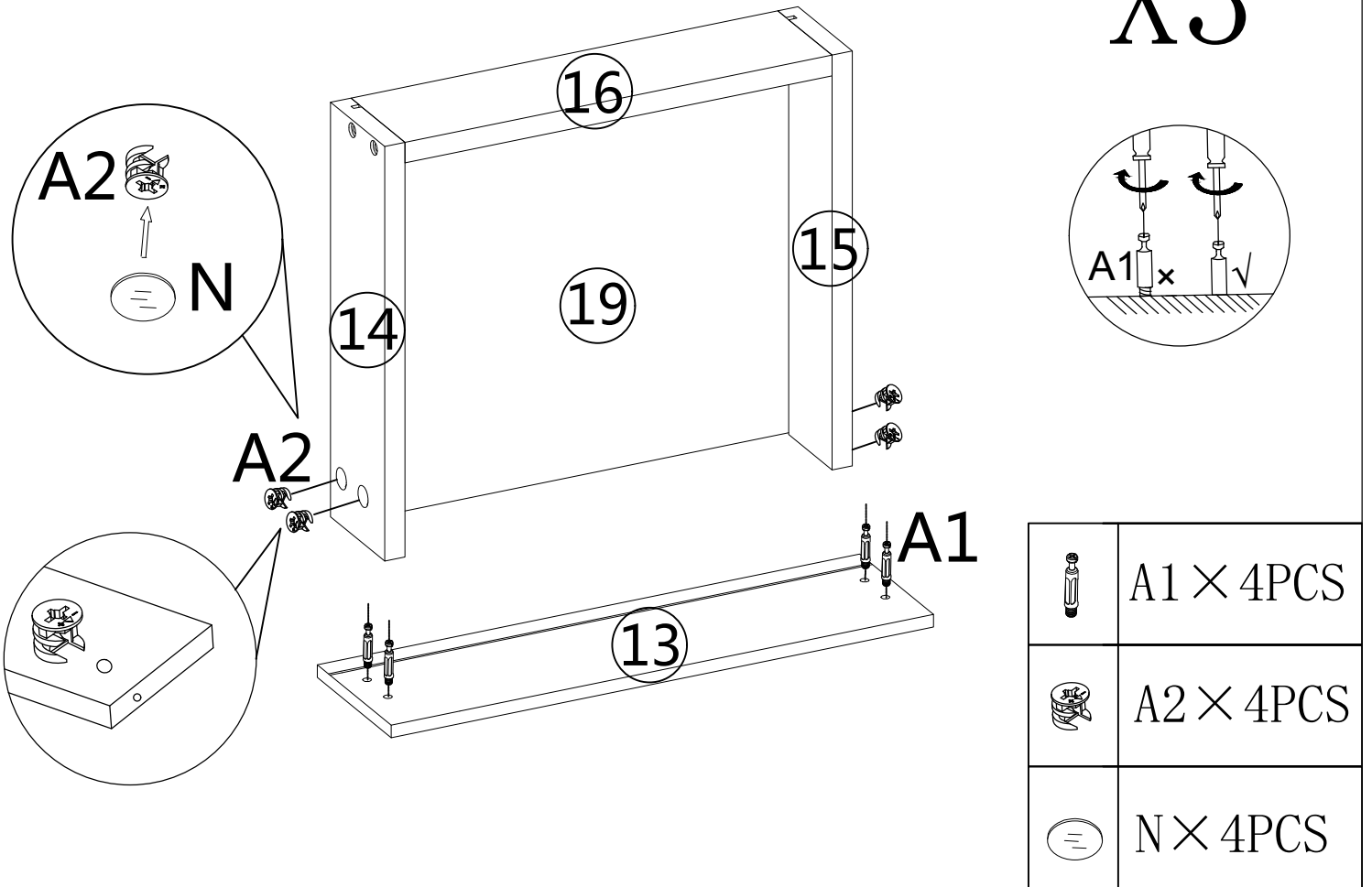
X3






| | |
|---|-----------|
|  | A1 × 4PCS |
|  | A2 × 4PCS |
|  | N × 4PCS |

STEP 32

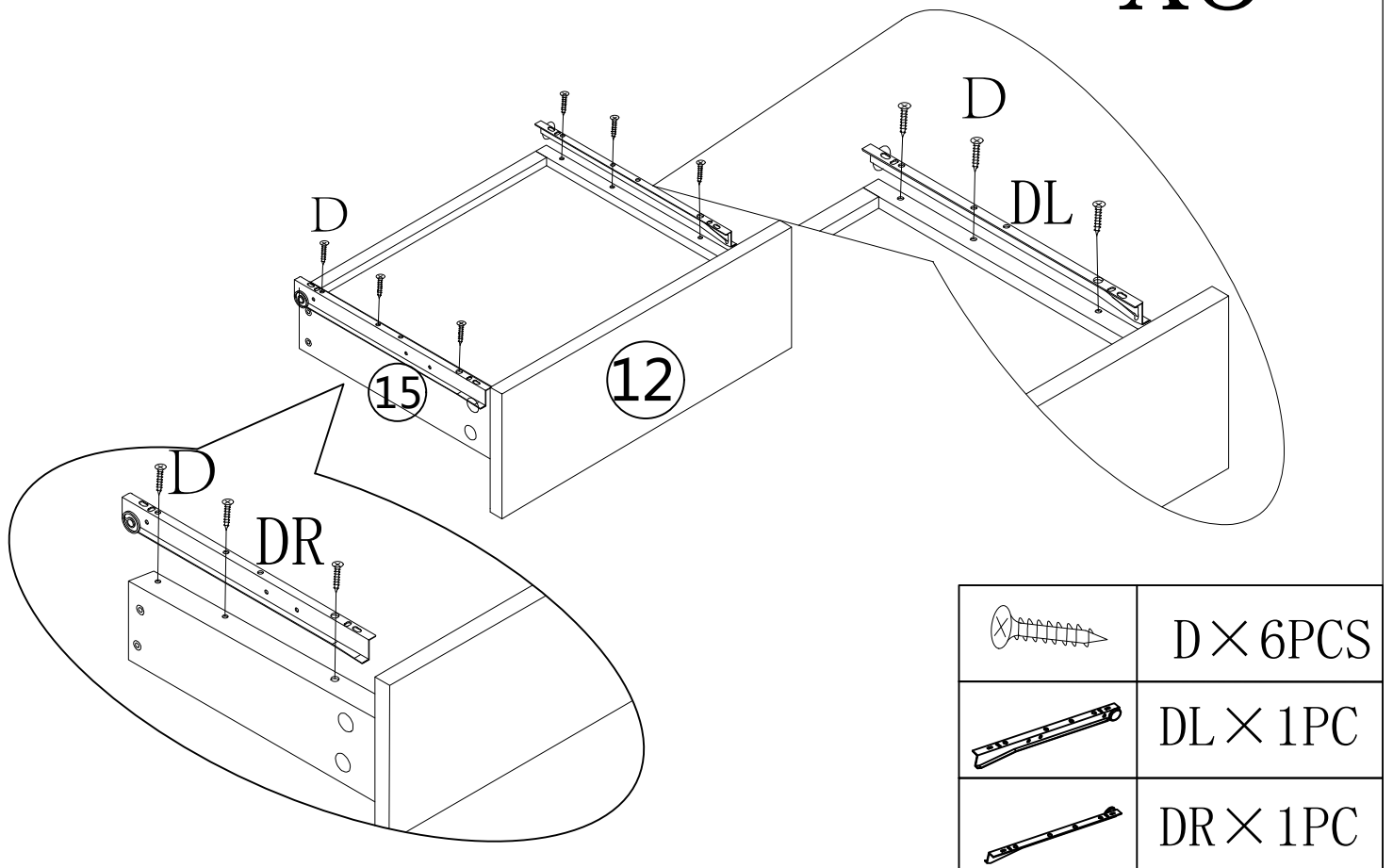
X3

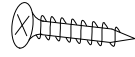




| | |
|---|-----------|
|  | A1 × 4PCS |
|  | A2 × 4PCS |
|  | N × 4PCS |

STEP 33

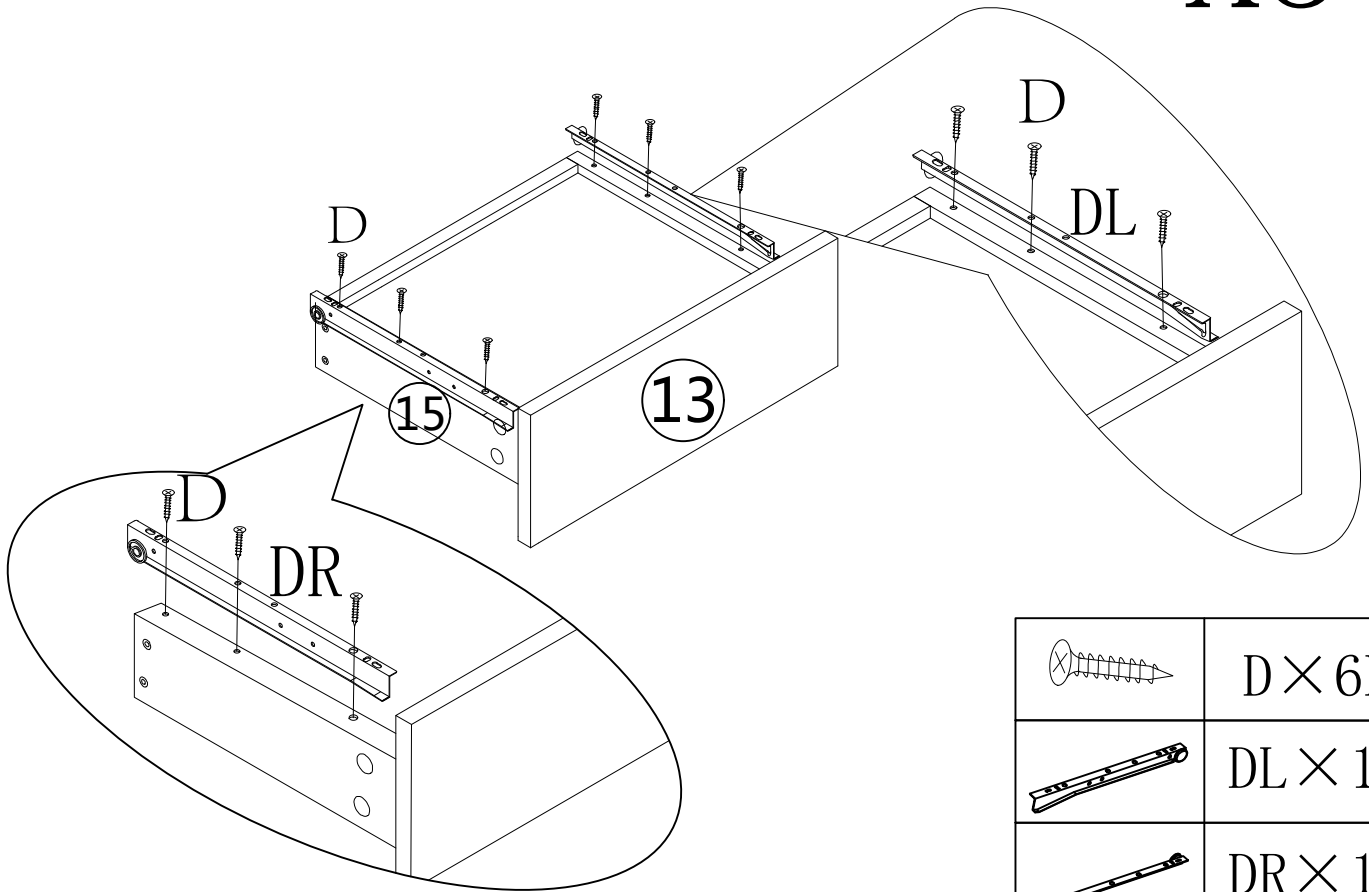
X3



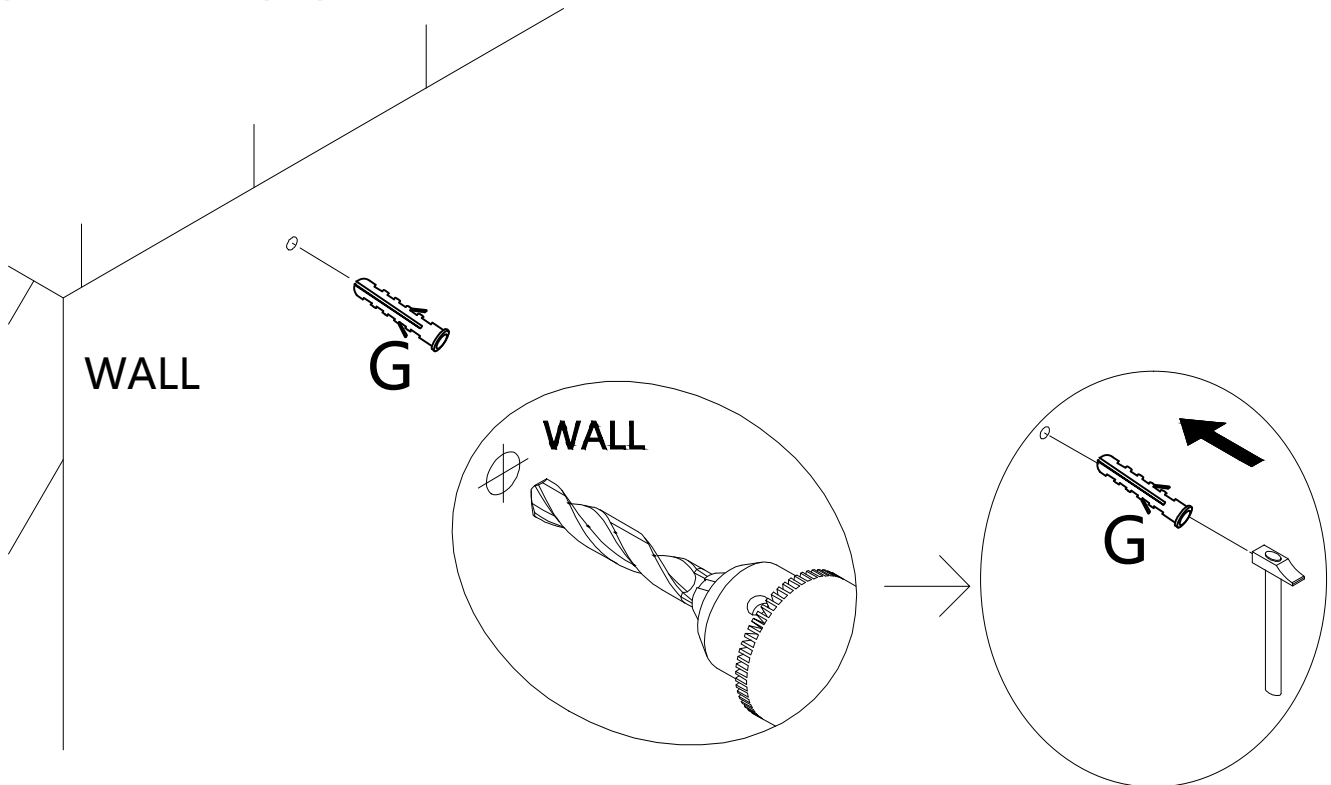
| | |
|---|----------|
|  | D × 6PCS |
|  | DL × 1PC |
|  | DR × 1PC |

STEP 34

X3

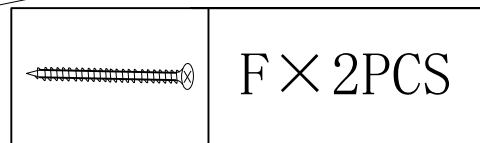
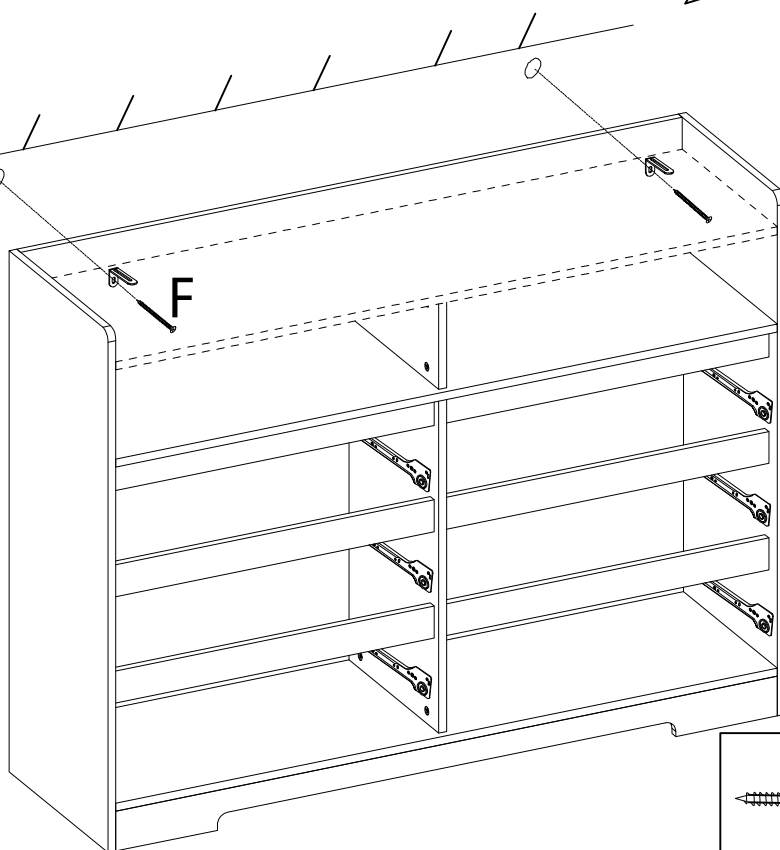


STEP 35

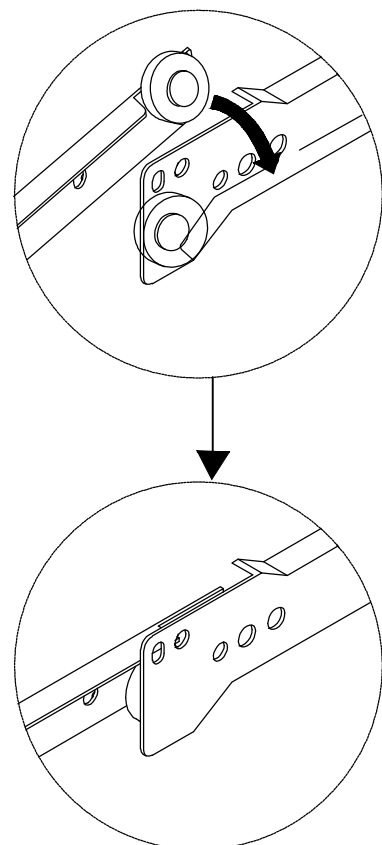
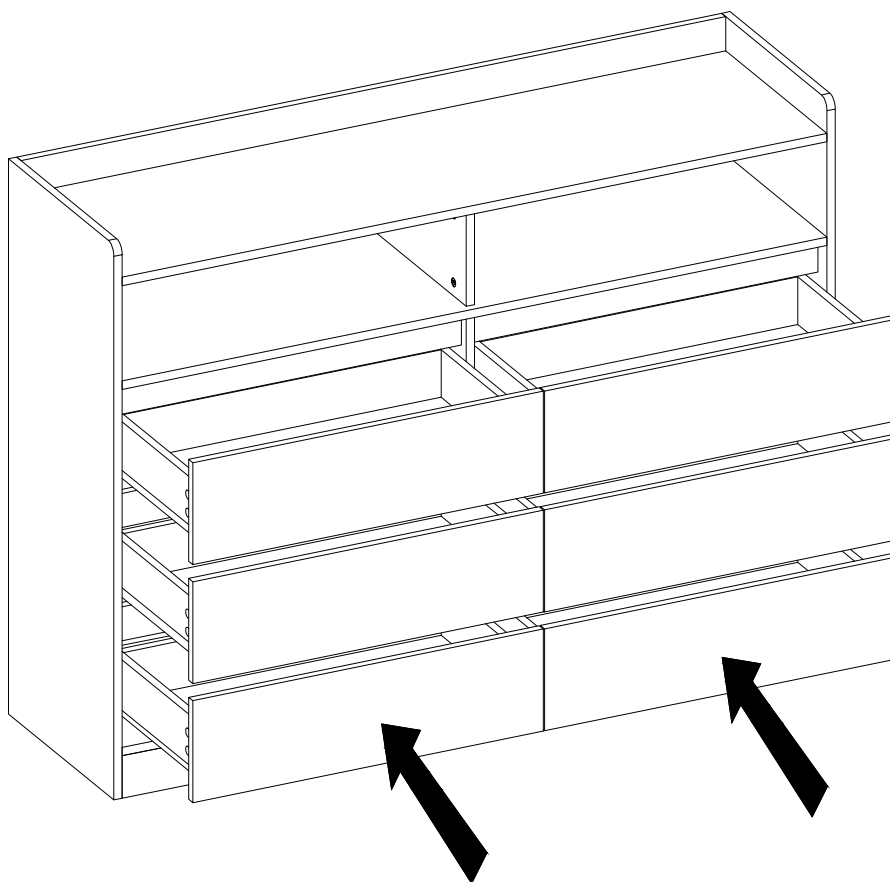


STEP 36

WALL



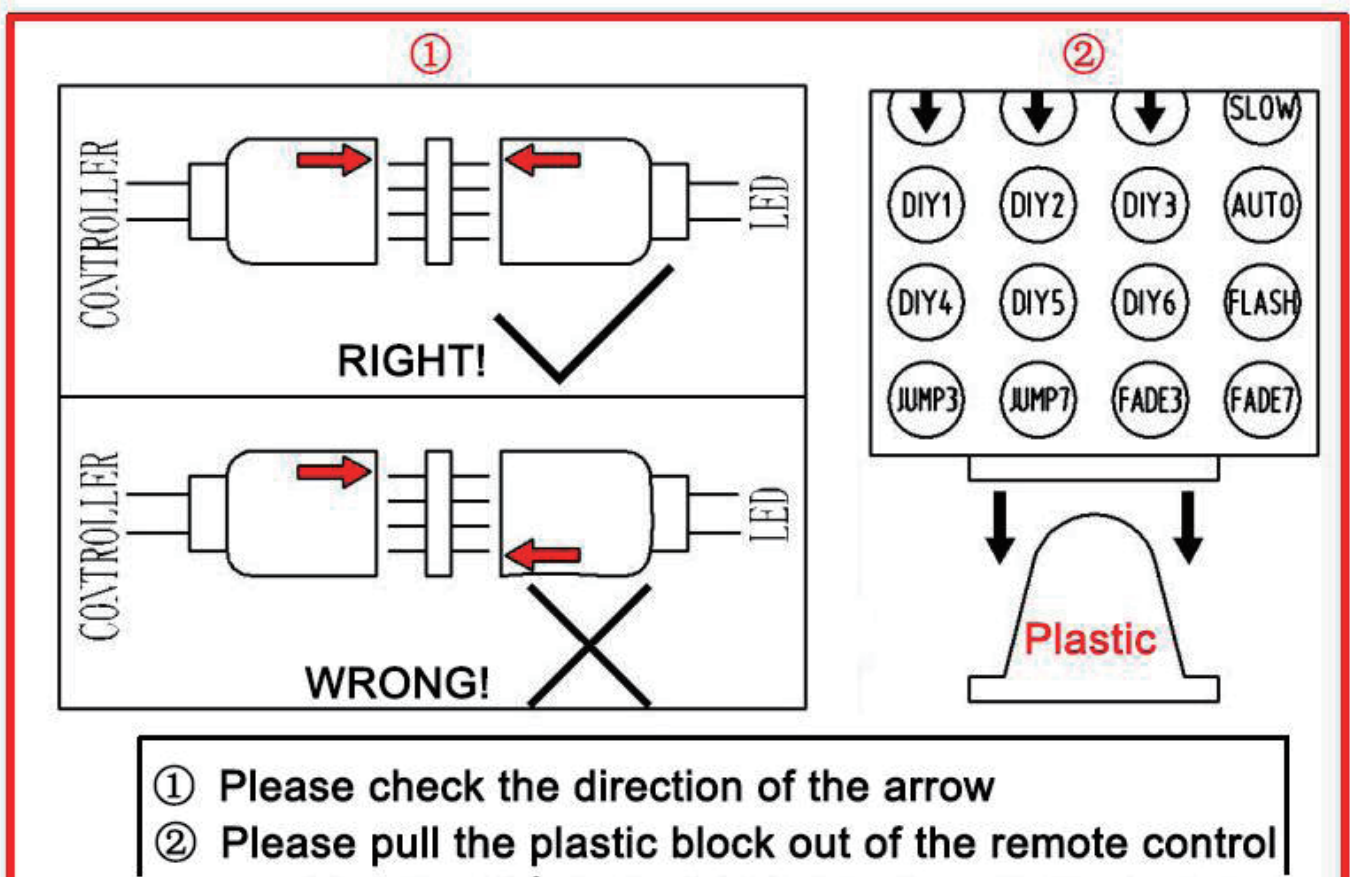
STEP 37



LED Light

If you can't let the lights work successfully, please check the following:

1. Please check the direction of the connect, try it in the opposite direction, according to the following picture.
2. Please check the remote control, it need you to tear down the plastic septum before use it.
3. Don't let the remote control too far from the receiver, make sure there is no obstruction between them.



END

