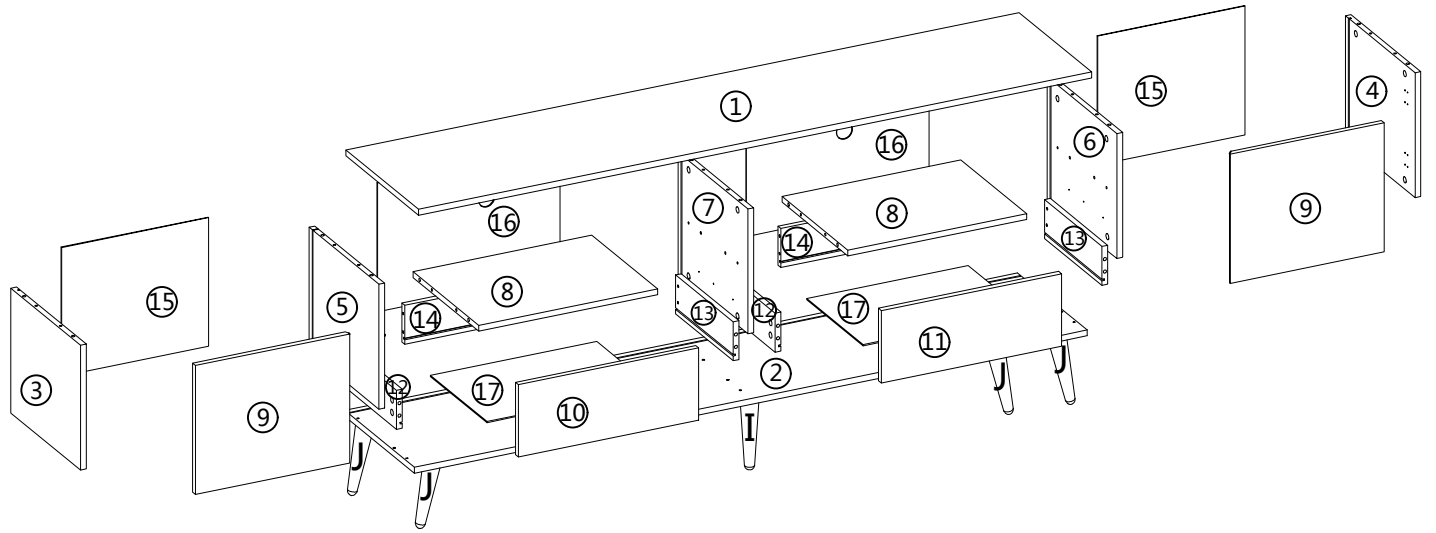
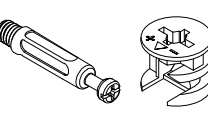
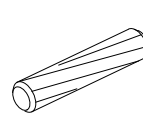
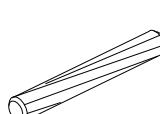
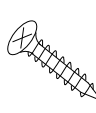

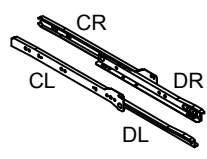
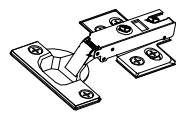

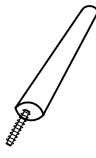
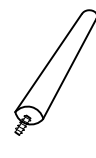
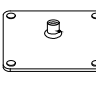

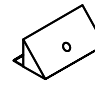

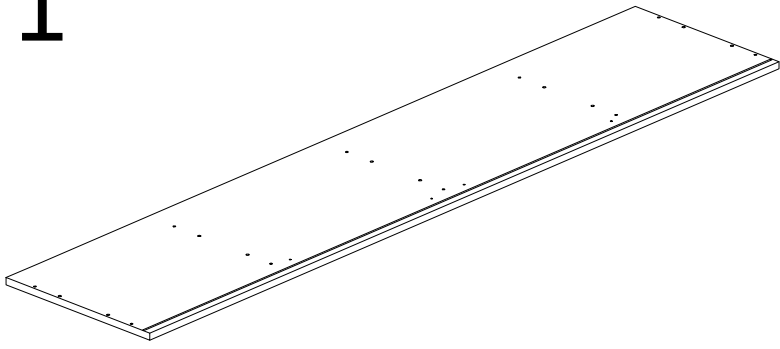


DS-TS001W



<p>A</p>  <p>A1 A2</p> <p>36PCS</p>	<p>B</p>  <p>$\phi 8 \times 30\text{mm}$ 24PCS</p>	<p>C</p>  <p>$\phi 8 \times 50\text{mm}$ 2PCS</p>	<p>D</p>  <p>M3.5*14mm 88PCS</p>	<p>E</p>  <p>M3.5*35mm 8PCS</p>	<p>F</p>  <p>CR CL DR DL</p> <p>L=300mm 2PCS</p>	<p>G</p>  <p>L=100mm 4PCS</p>
<p>H</p>  <p>H1 H2 H3 H4 H5*4 H6*4</p> <p>1PC</p>	<p>I</p>  <p>1PC</p>	<p>J</p>  <p>4PCS</p>	<p>K</p>  <p>70*70mm 1PC</p>	<p>L</p>  <p>69*67mm 4PCS</p>	<p>M</p>  <p>16PCS</p>	<p>N</p>  <p>$\phi 21\text{mm}$ 36PCS</p>

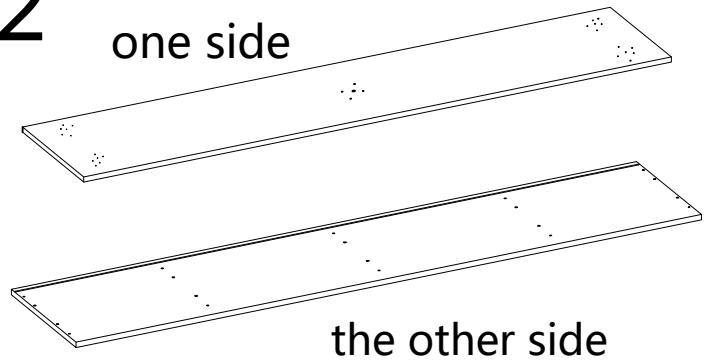
1



1760*380*15mm

1PC

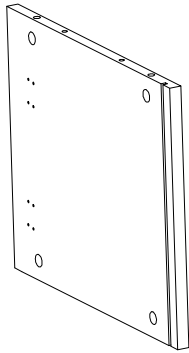
2



1760*364*15mm

1PC

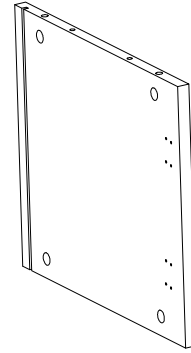
3



320*364*15mm

1PC

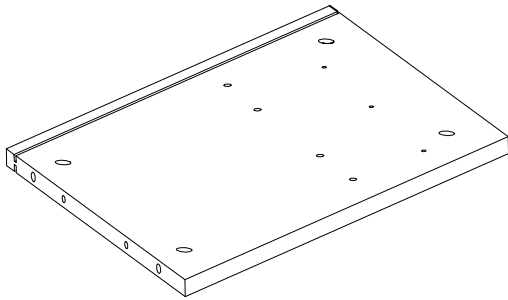
4



320*364*15mm

1PC

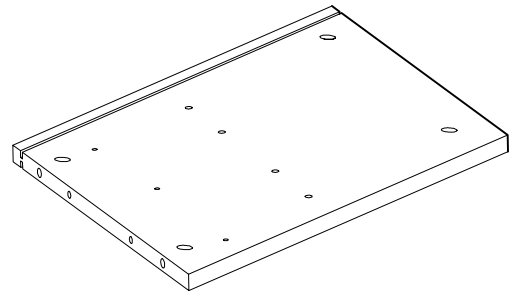
5



320*364*15mm

1PC

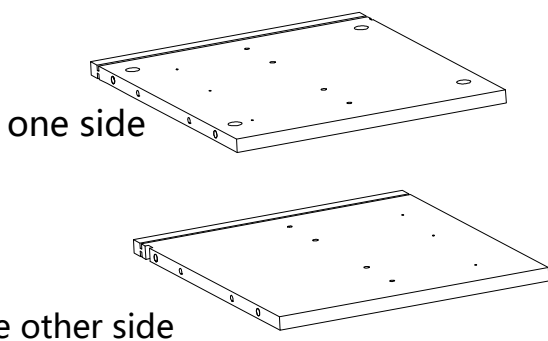
6



320*364*15mm

1PC

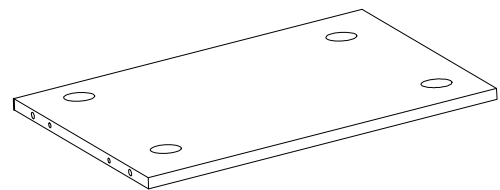
7



320*364*15mm

1PC

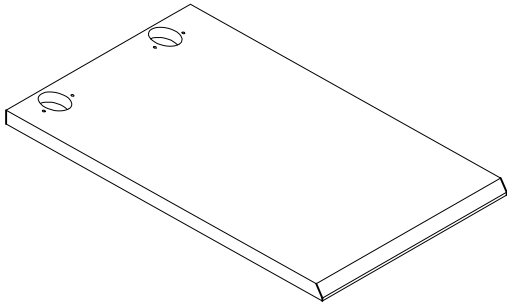
8



467.5*344*15mm

2PCS

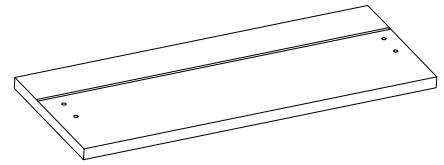
9



331*402*15mm

2PCS

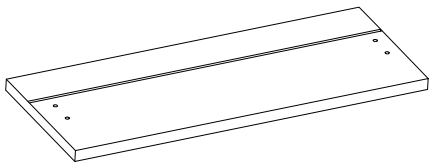
10



185.5*470.5*15mm

1PC

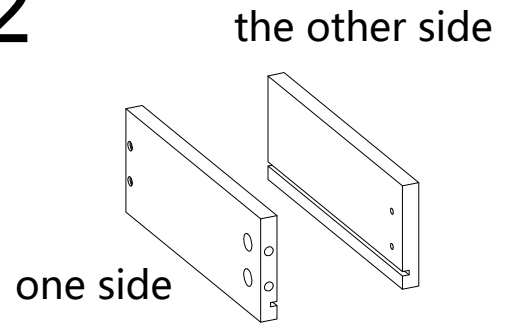
11



185.5*470.5*15mm

1PC

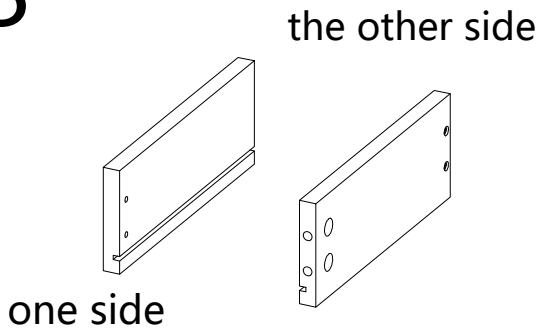
12



300*100*15mm

2PCS

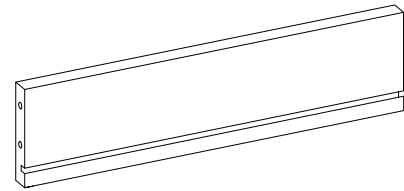
13



300*100*15mm

2PCS

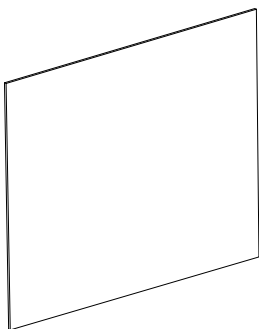
14



412.5*100*15mm

2PCS

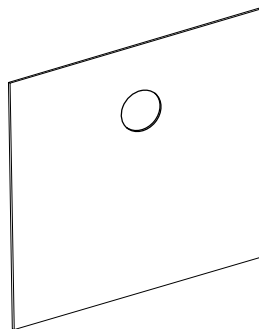
15



330*383*3mm

2PCS

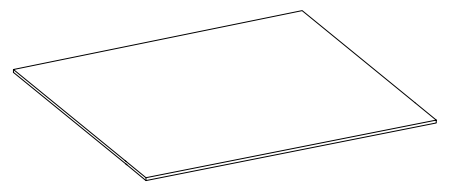
16



330*475.5*3mm

2PCS

17



422.5*295*3mm

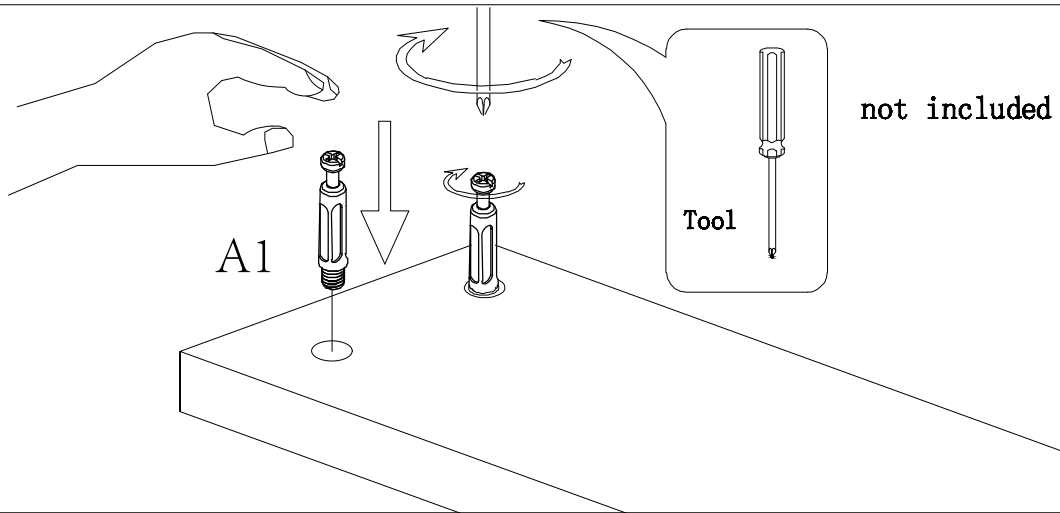
2PCS

Hardware installation demonstration

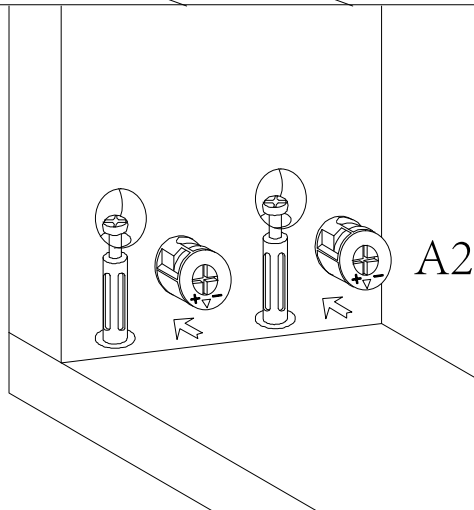


NOTE: Please make sure "A1" hardware tightened and can't be pulled out!

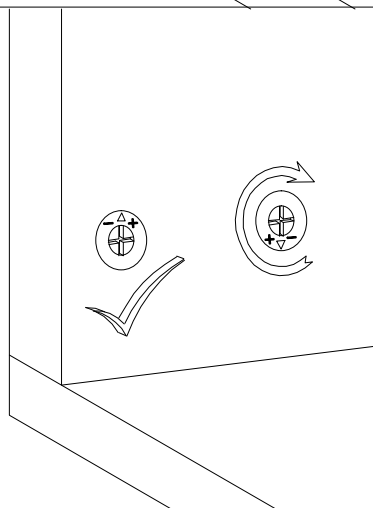
I



II



III

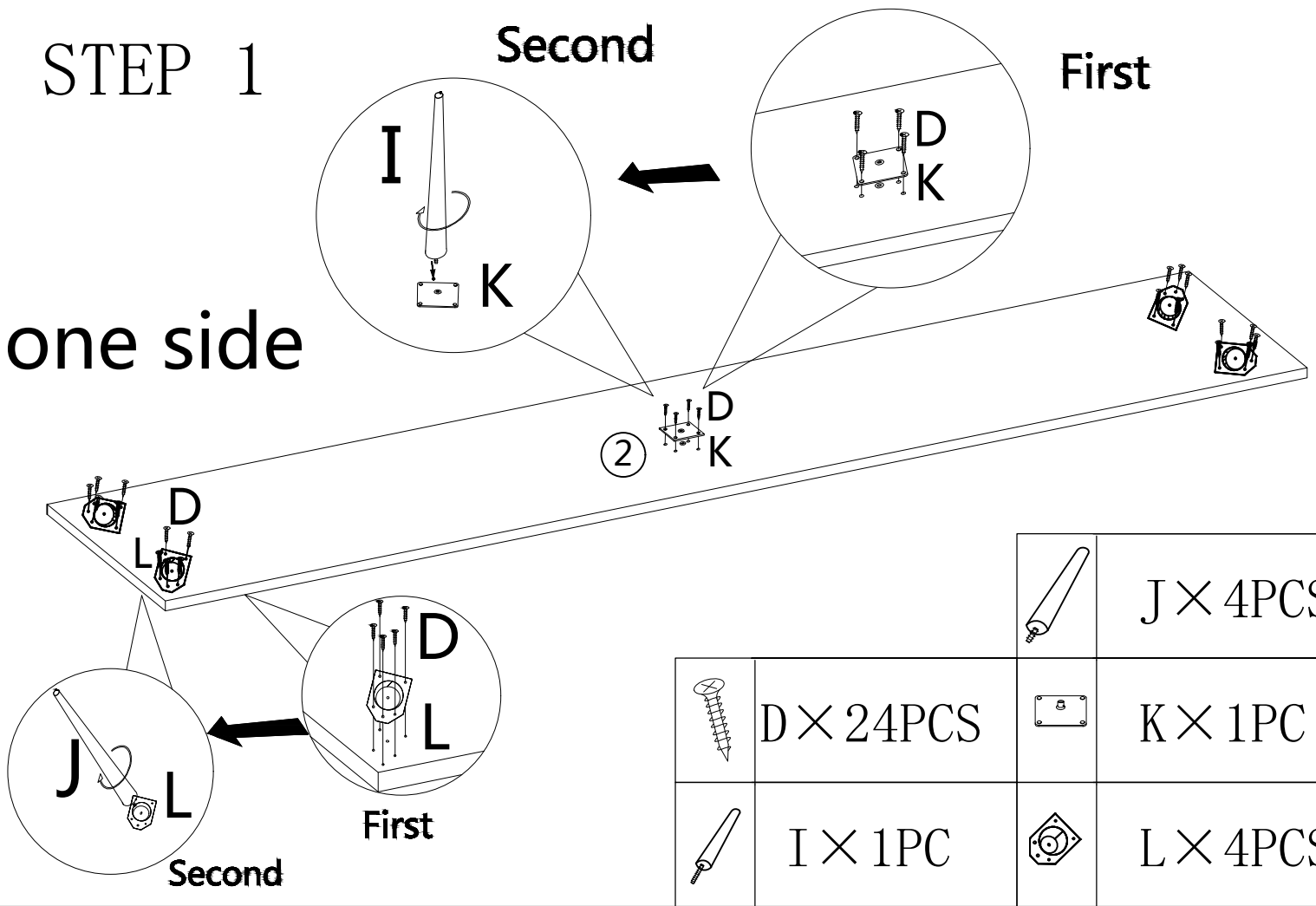


STEP 1

Second

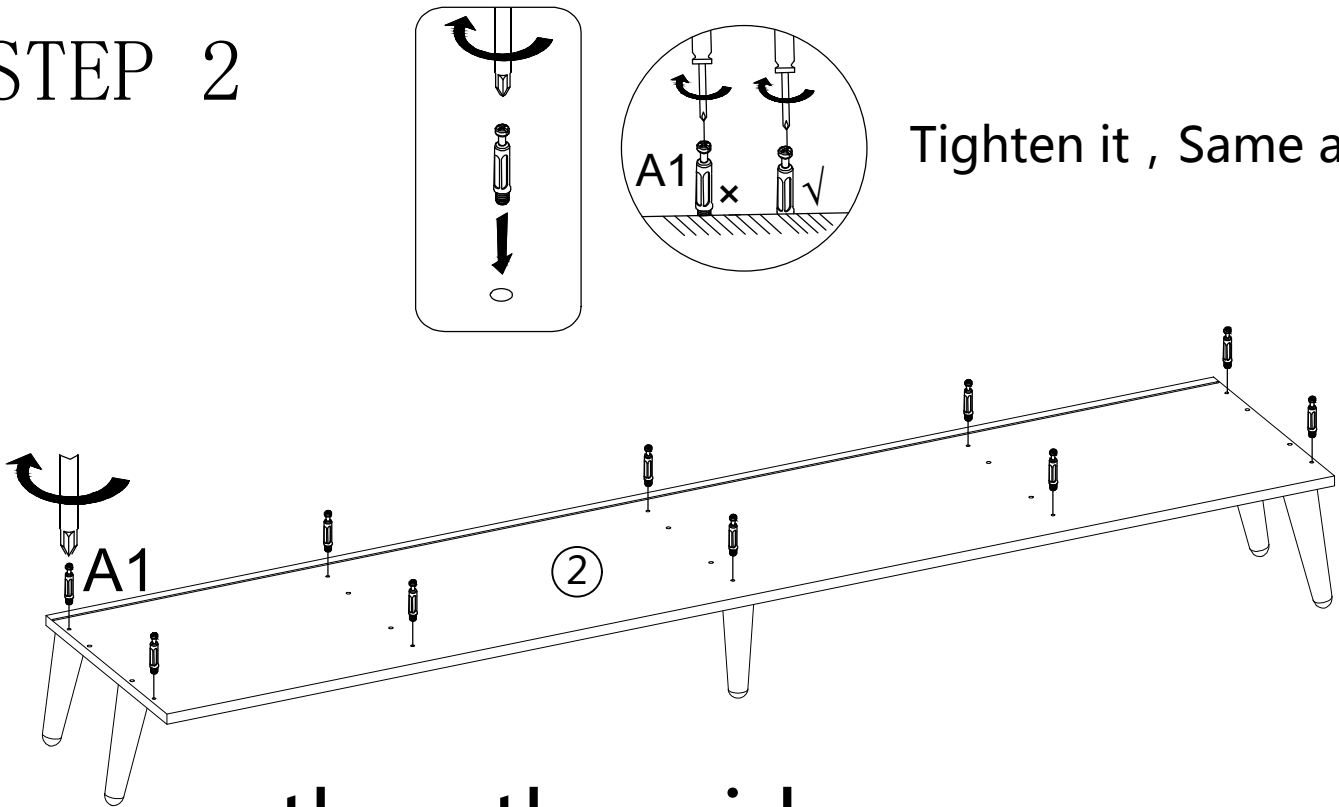
First

one side




STEP 2

Tighten it , Same after

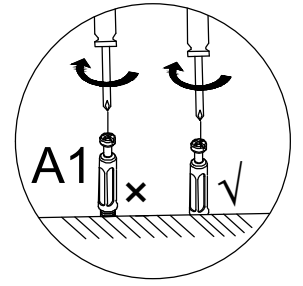
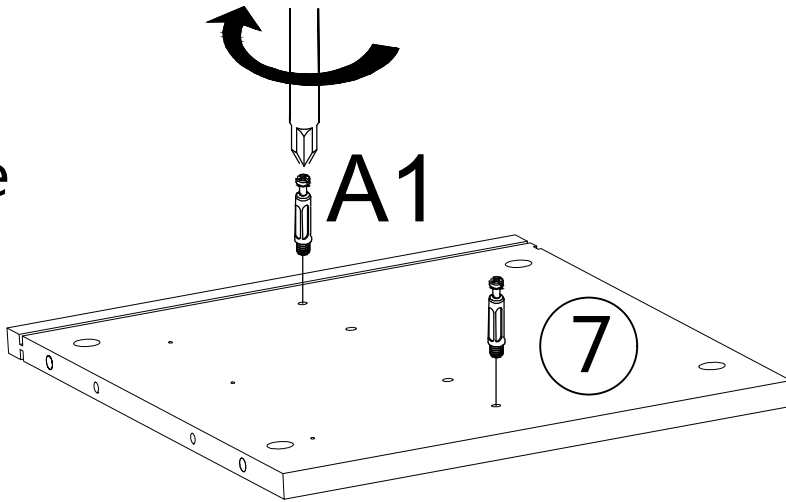


the other side

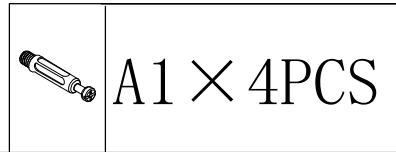
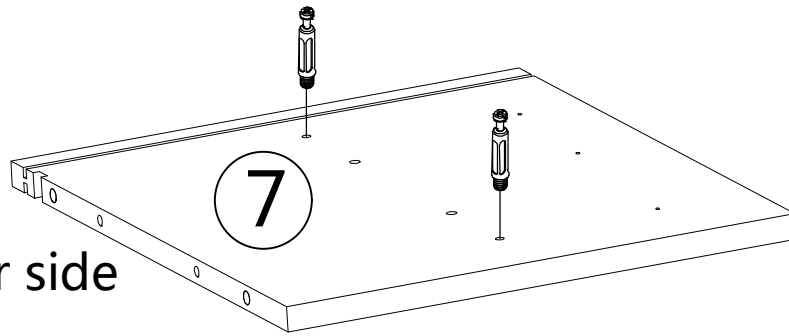
	A1 × 10PCS
---	------------

STEP 3

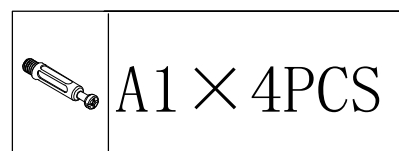
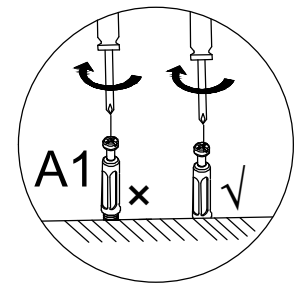
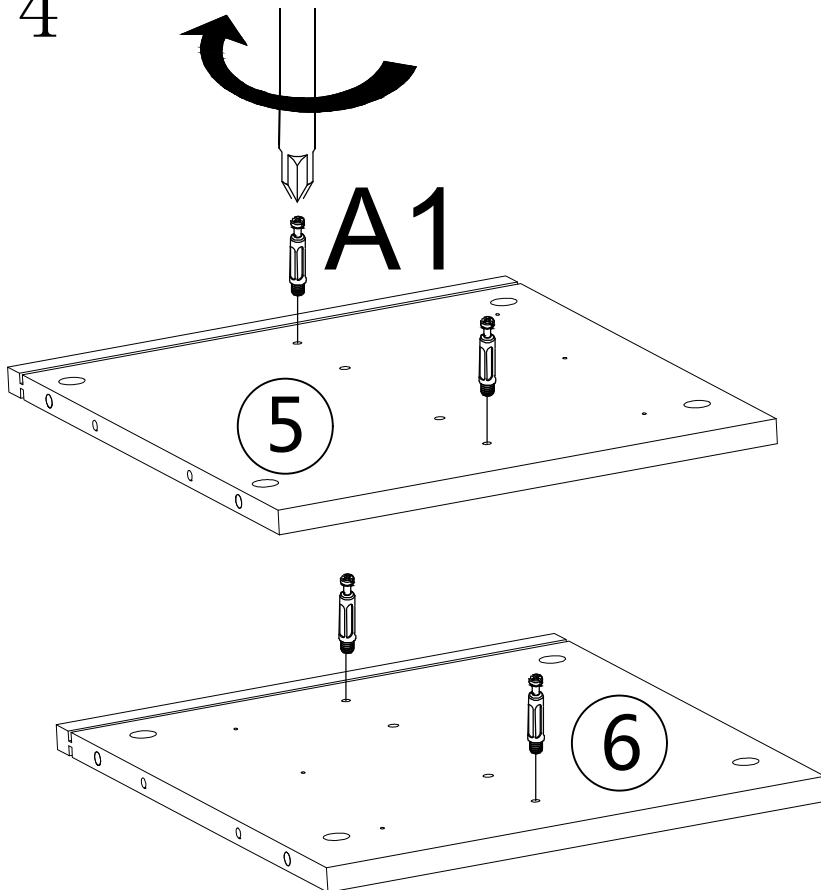
one side



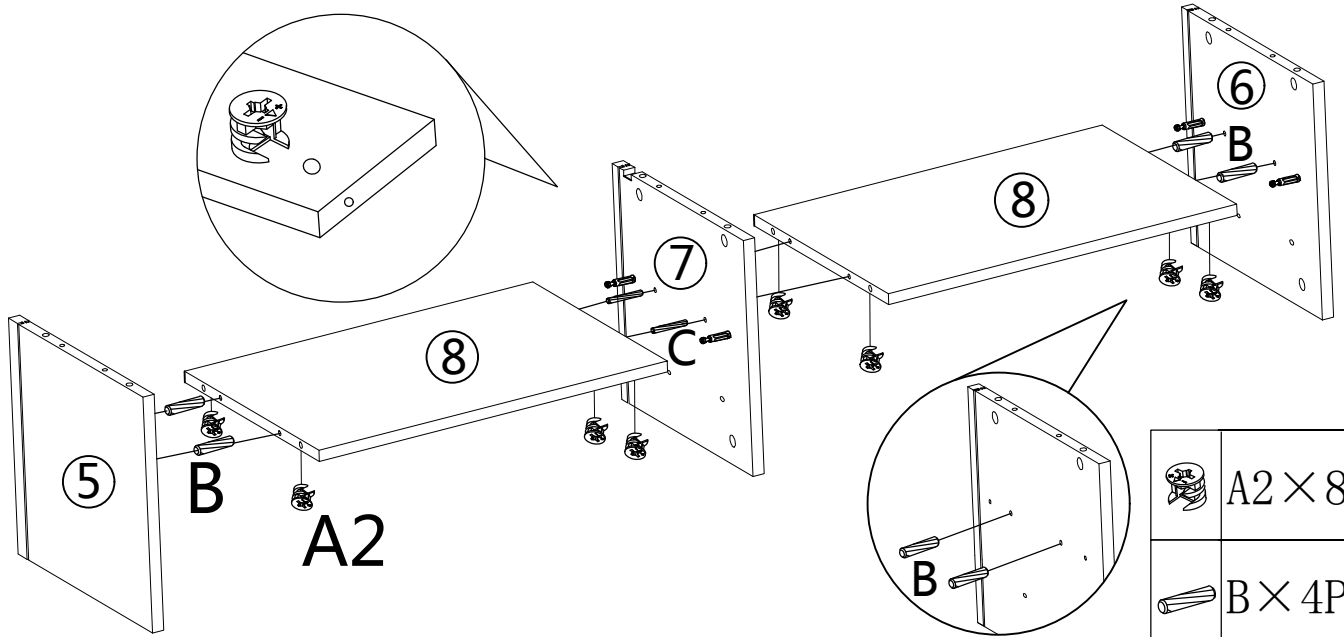
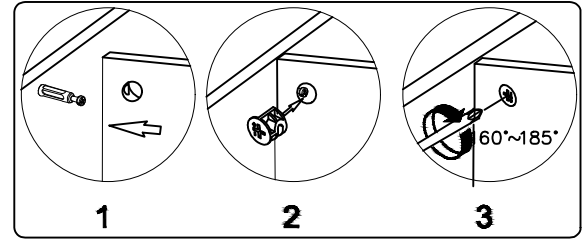
the other side


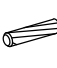



STEP 4

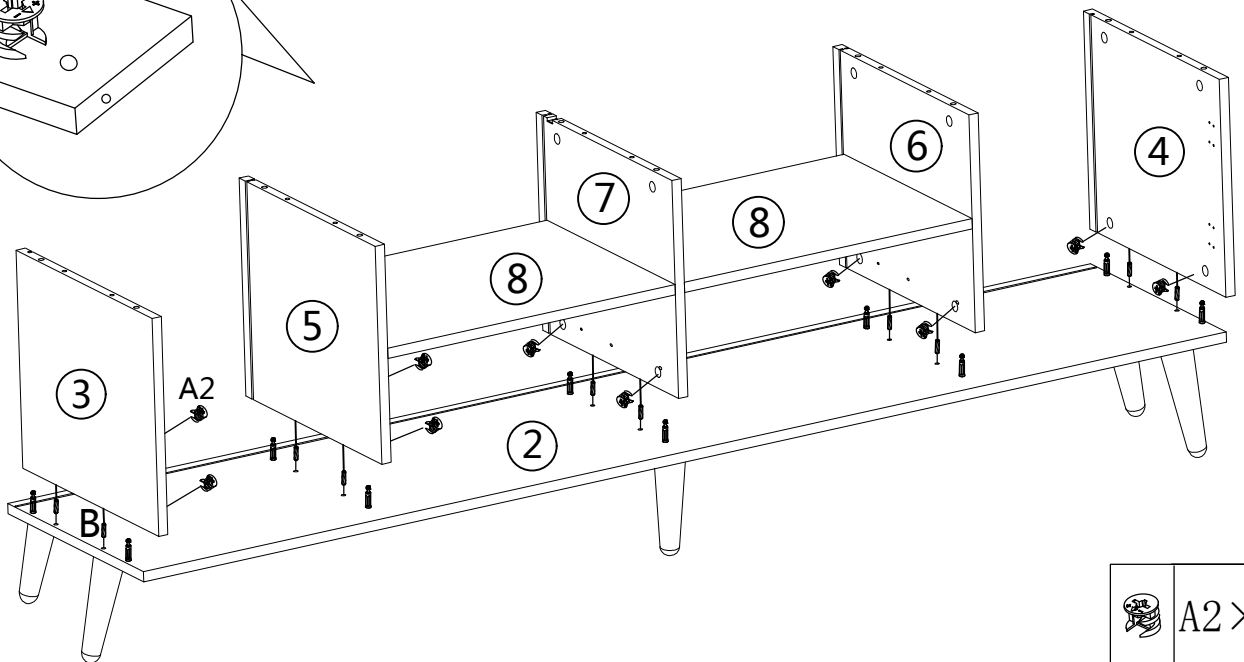
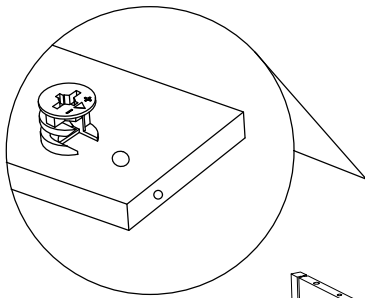




STEP 5



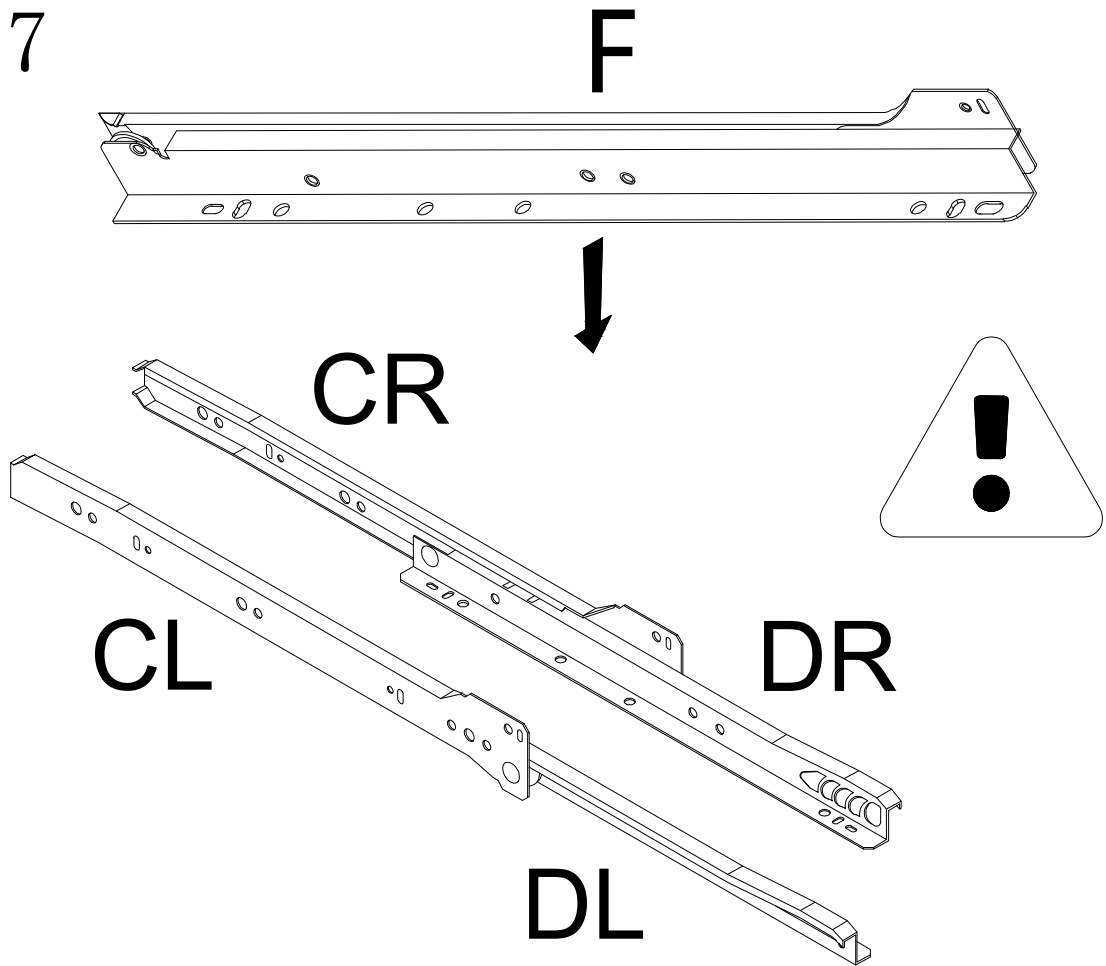
	A2 × 8PCS
	B × 4PCS
	C × 2PCS

STEP 6

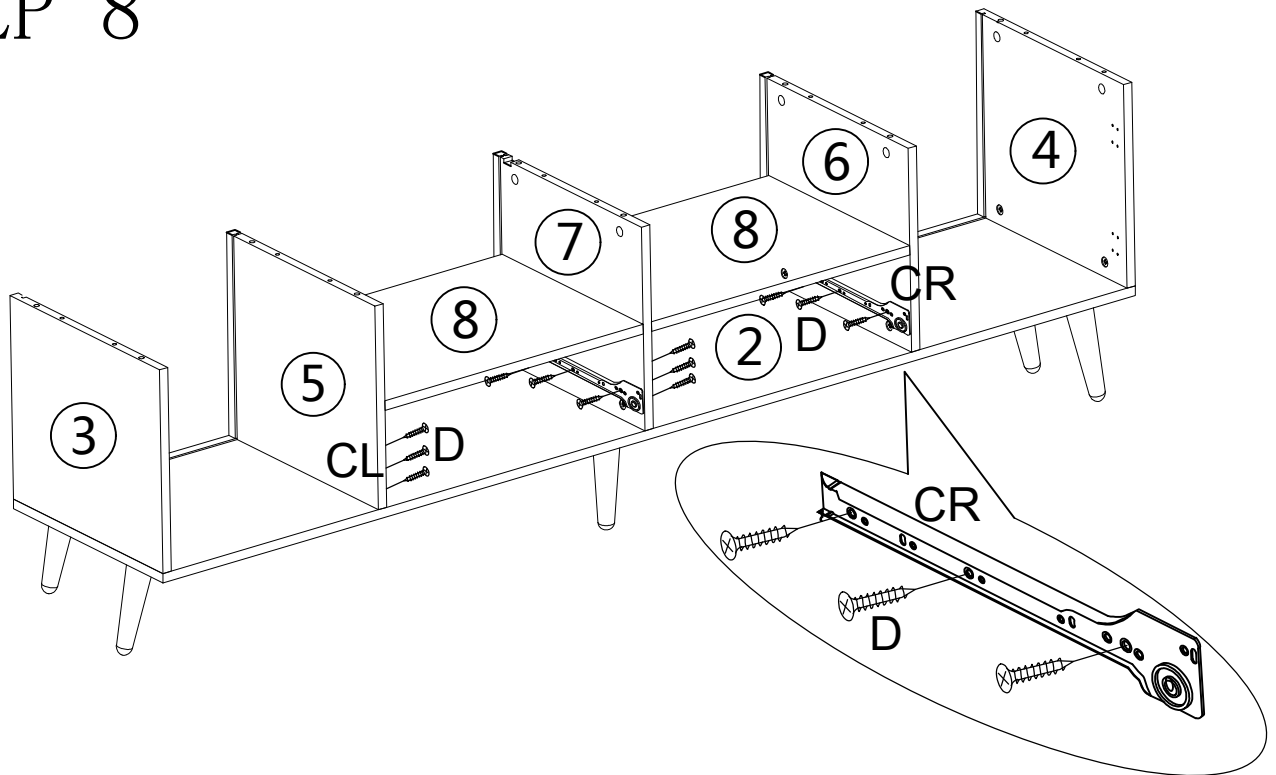





	A2 × 10PCS
	B × 10PCS

STEP 7

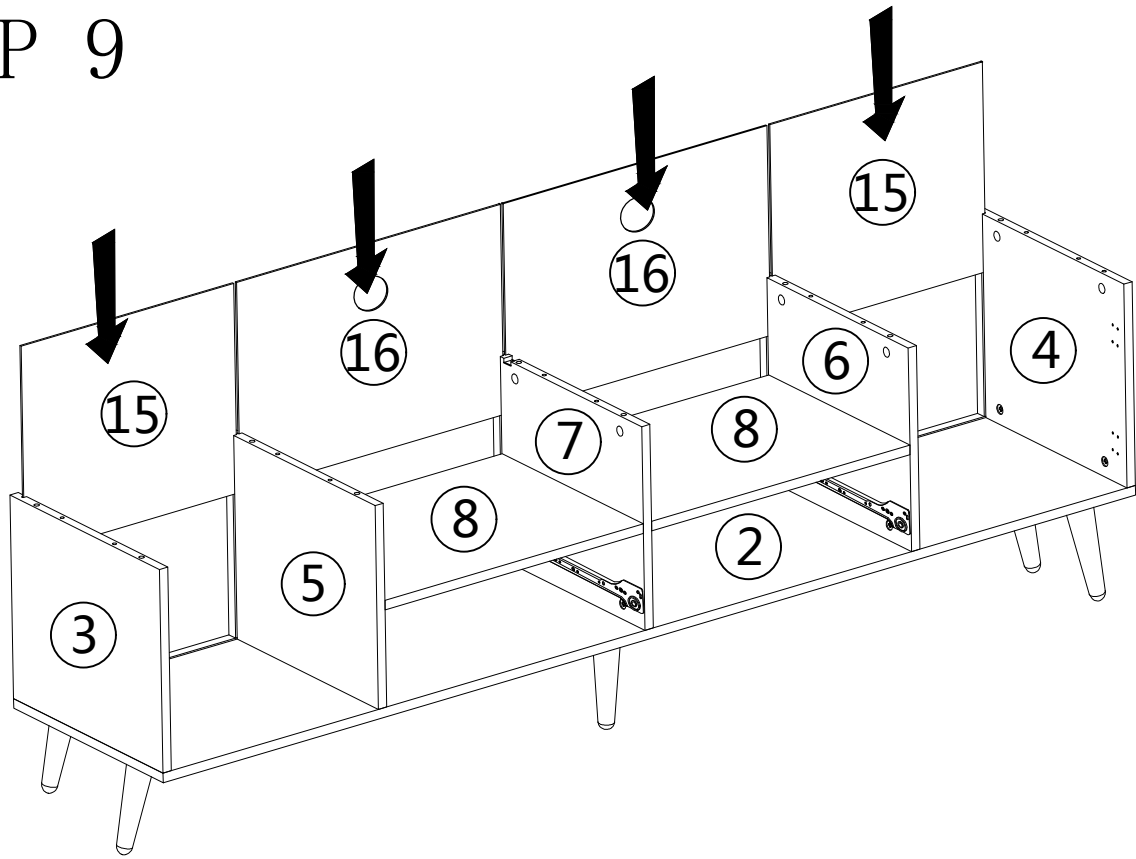


STEP 8

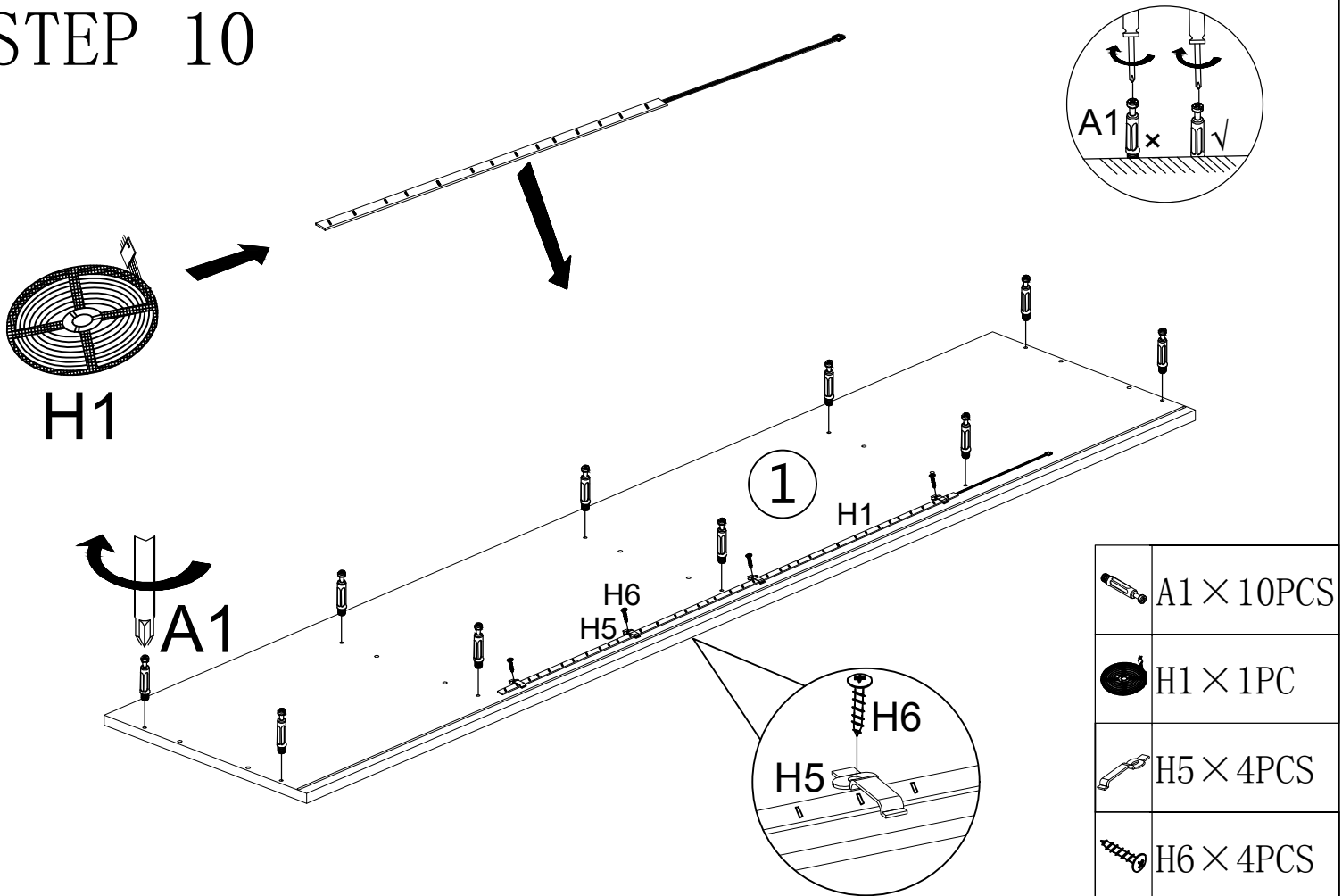


	D × 12PCS		CR × 2PCS		CL × 2PCS
---	------------------	---	------------------	---	------------------

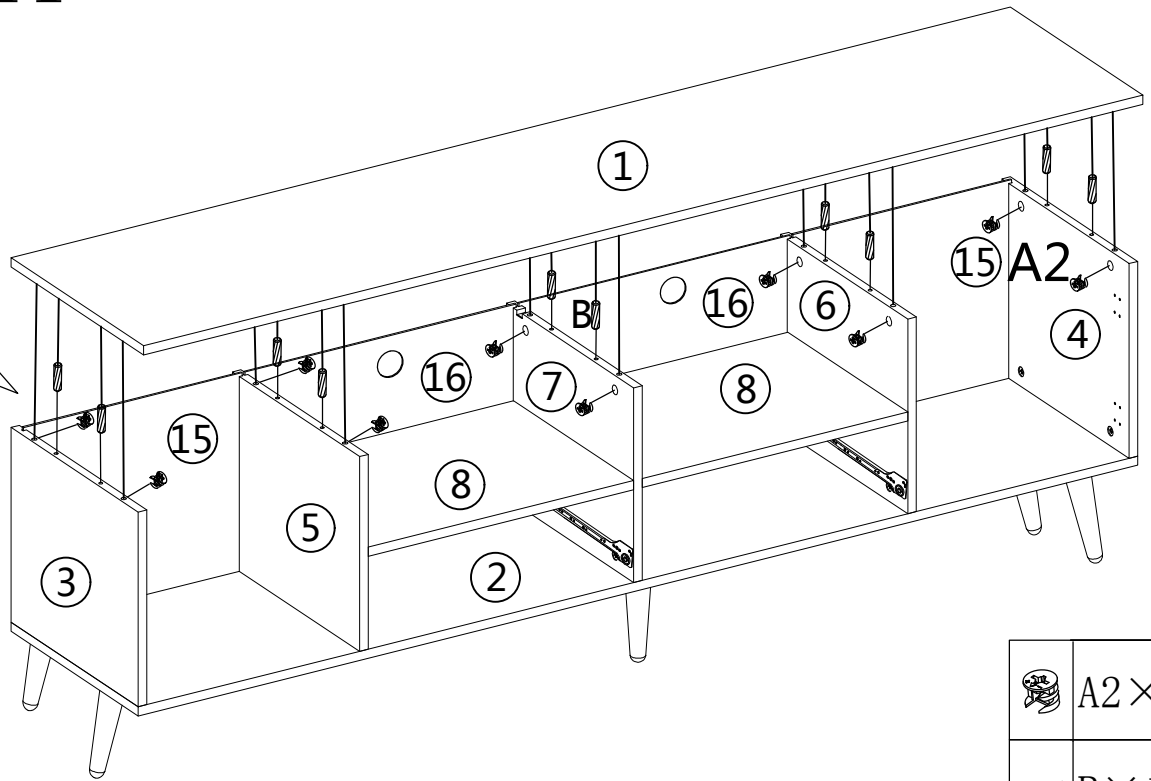
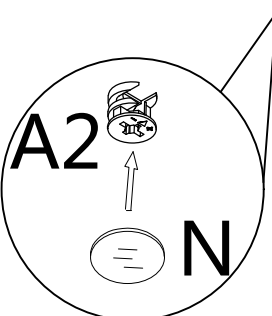
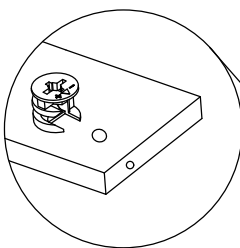
STEP 9






STEP 10



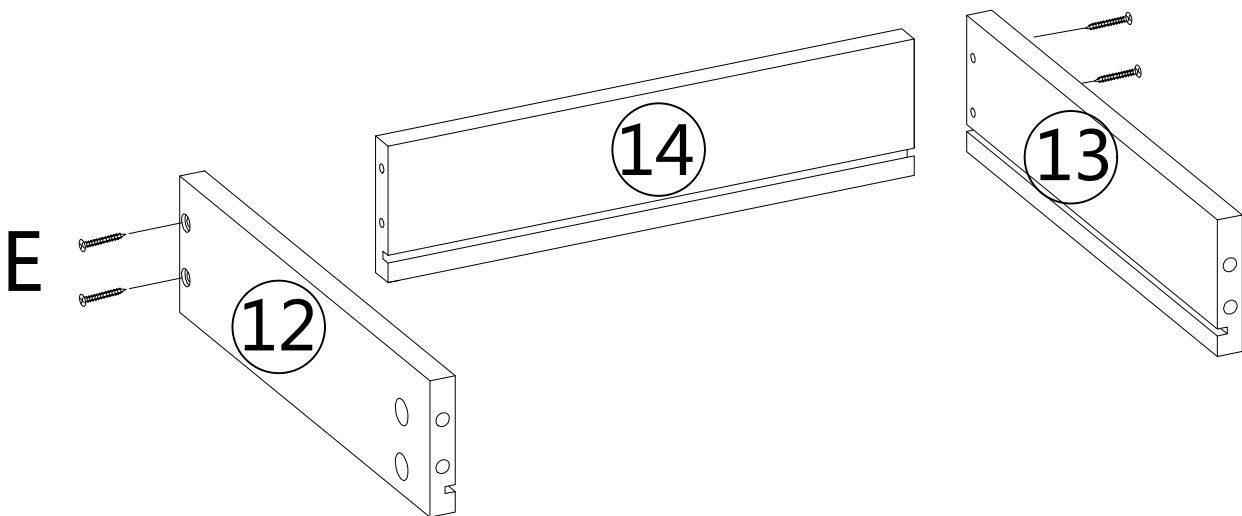
STEP 11




	A2 × 10PCS
	B × 10PCS
	N × 28PCS

STEP 12

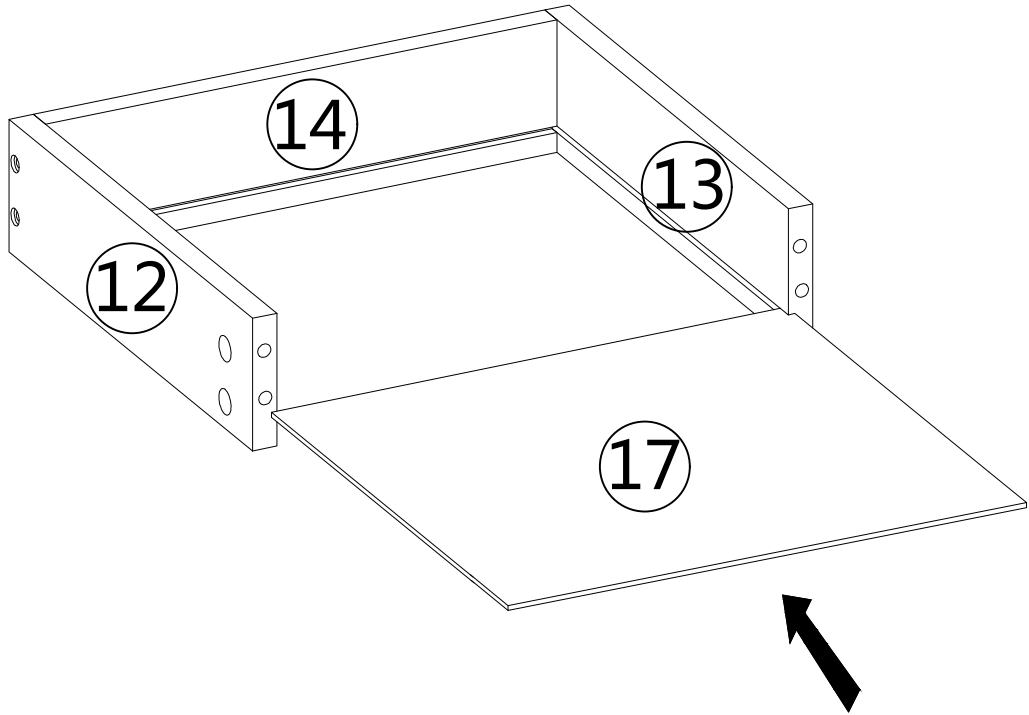
X2



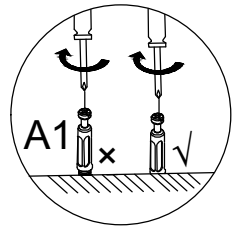
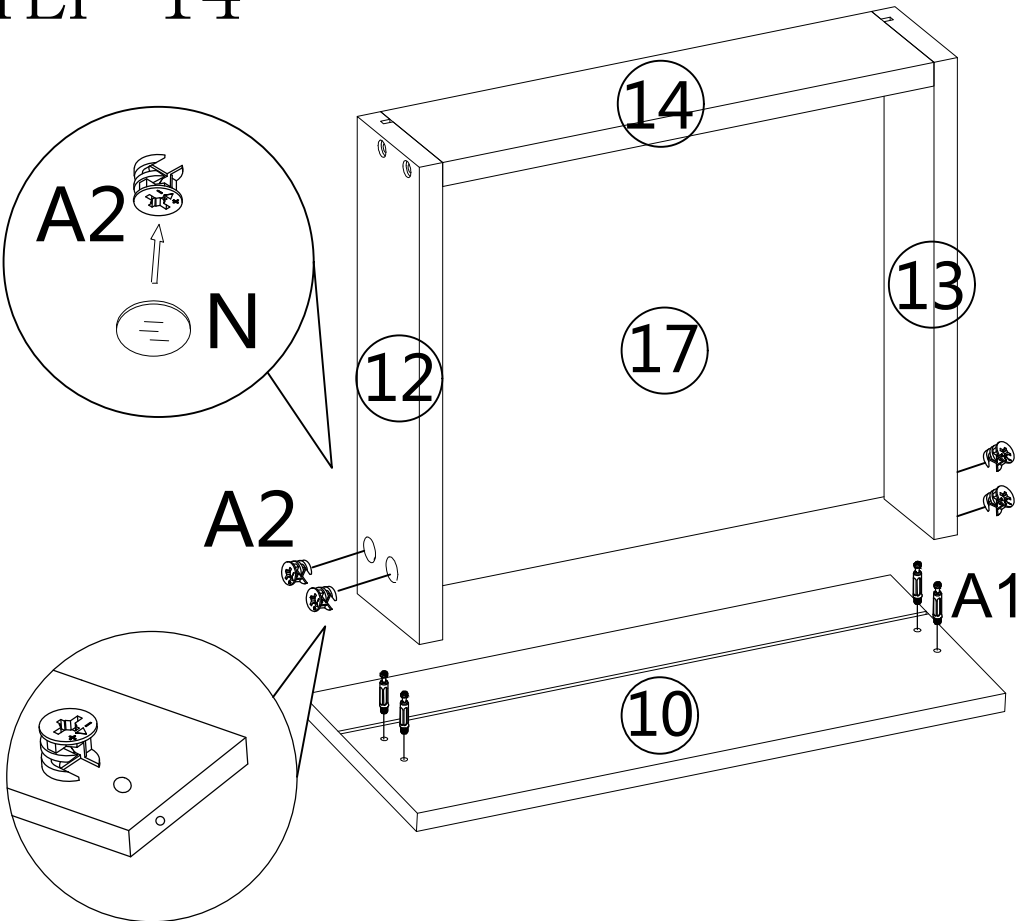
	E × 4PCS
---	----------



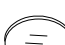
STEP 13

X2

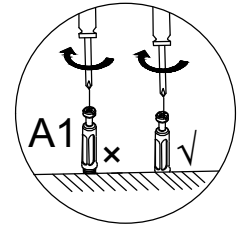
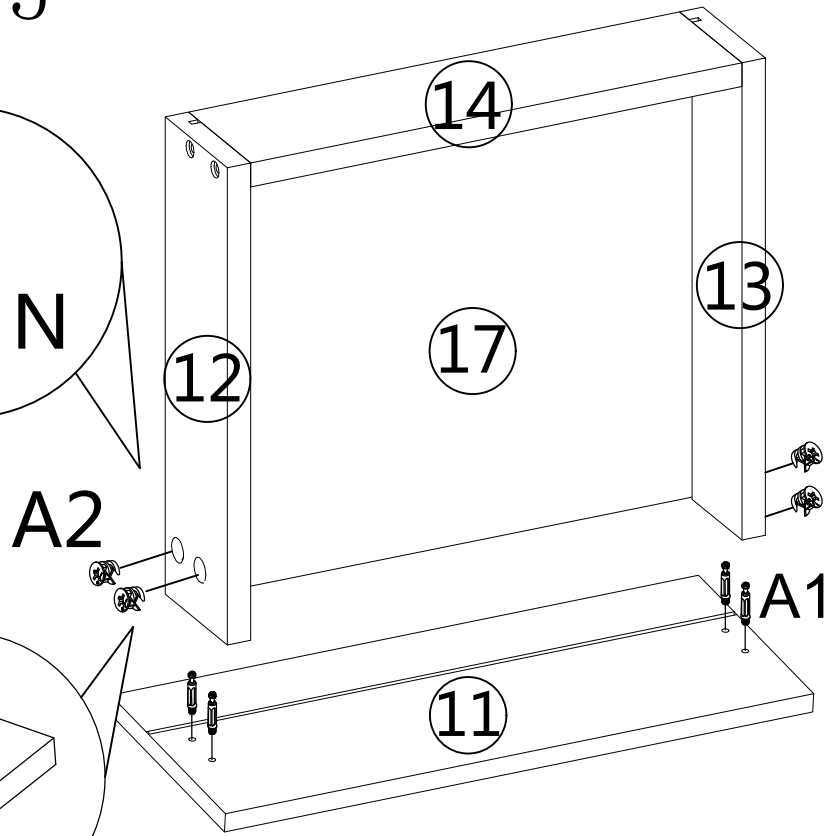
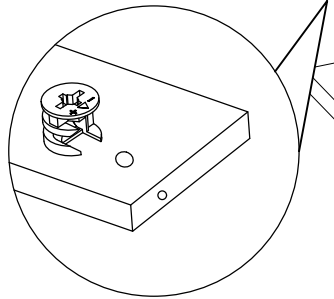
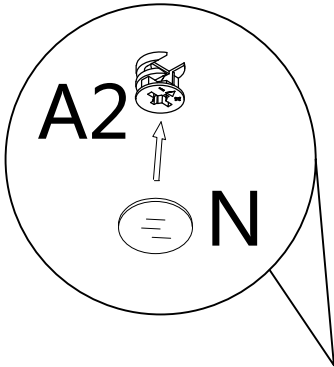





STEP 14



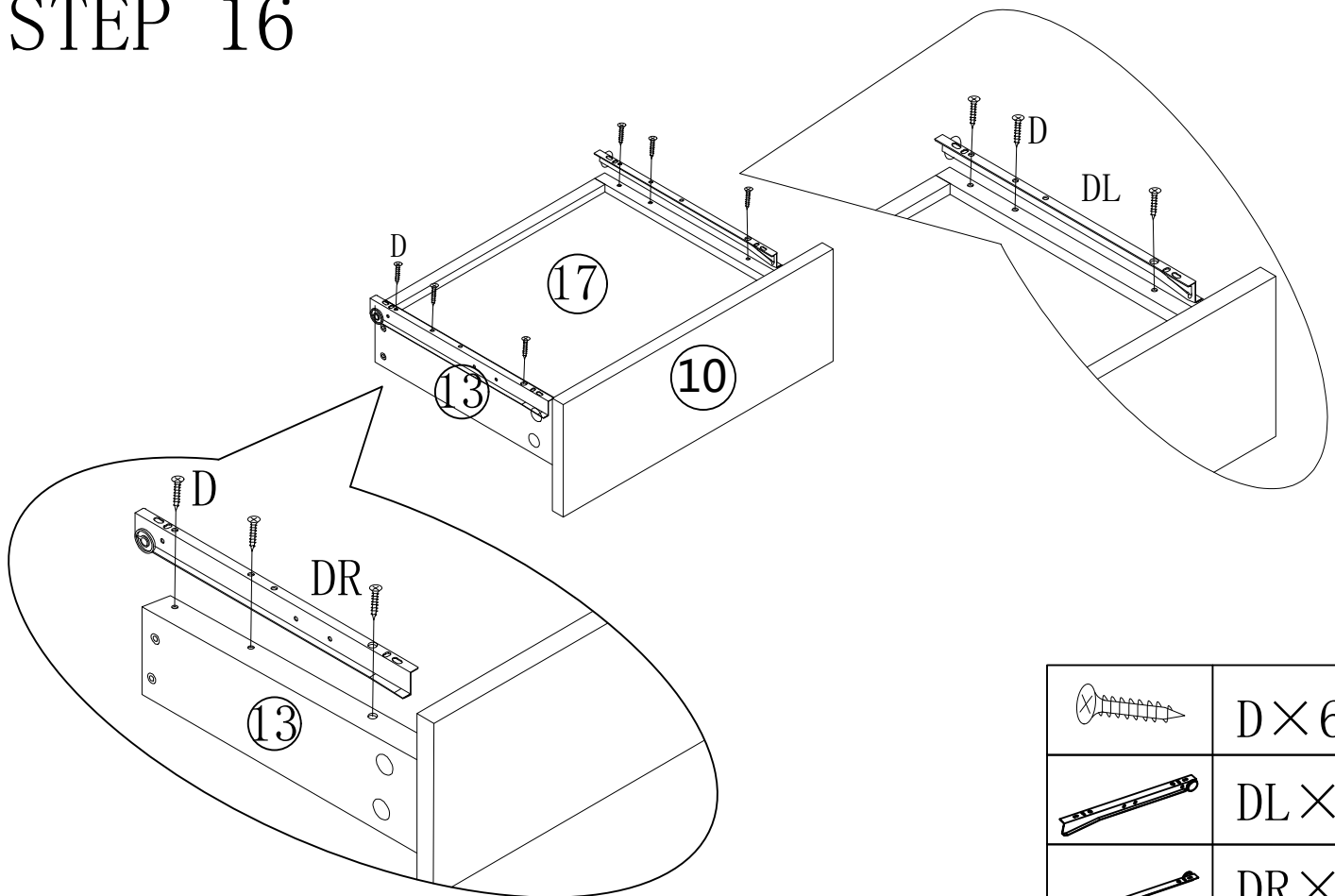
	A1 × 4PCS
	A2 × 4PCS
	N × 4PCS

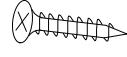

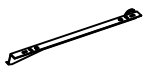
STEP 15



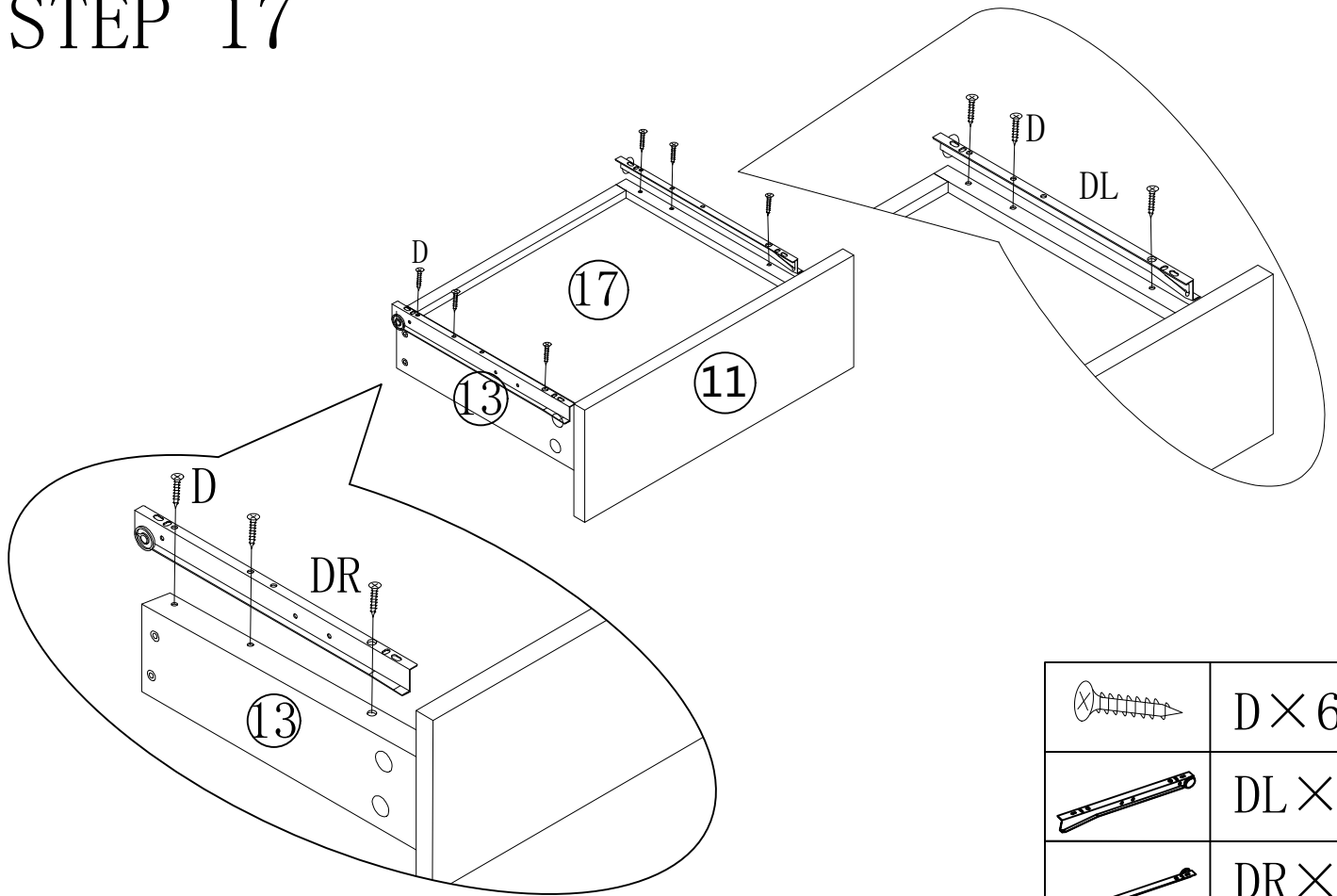
	A1 × 4PCS
	A2 × 4PCS
	N × 4PCS

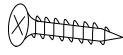

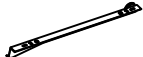
STEP 16



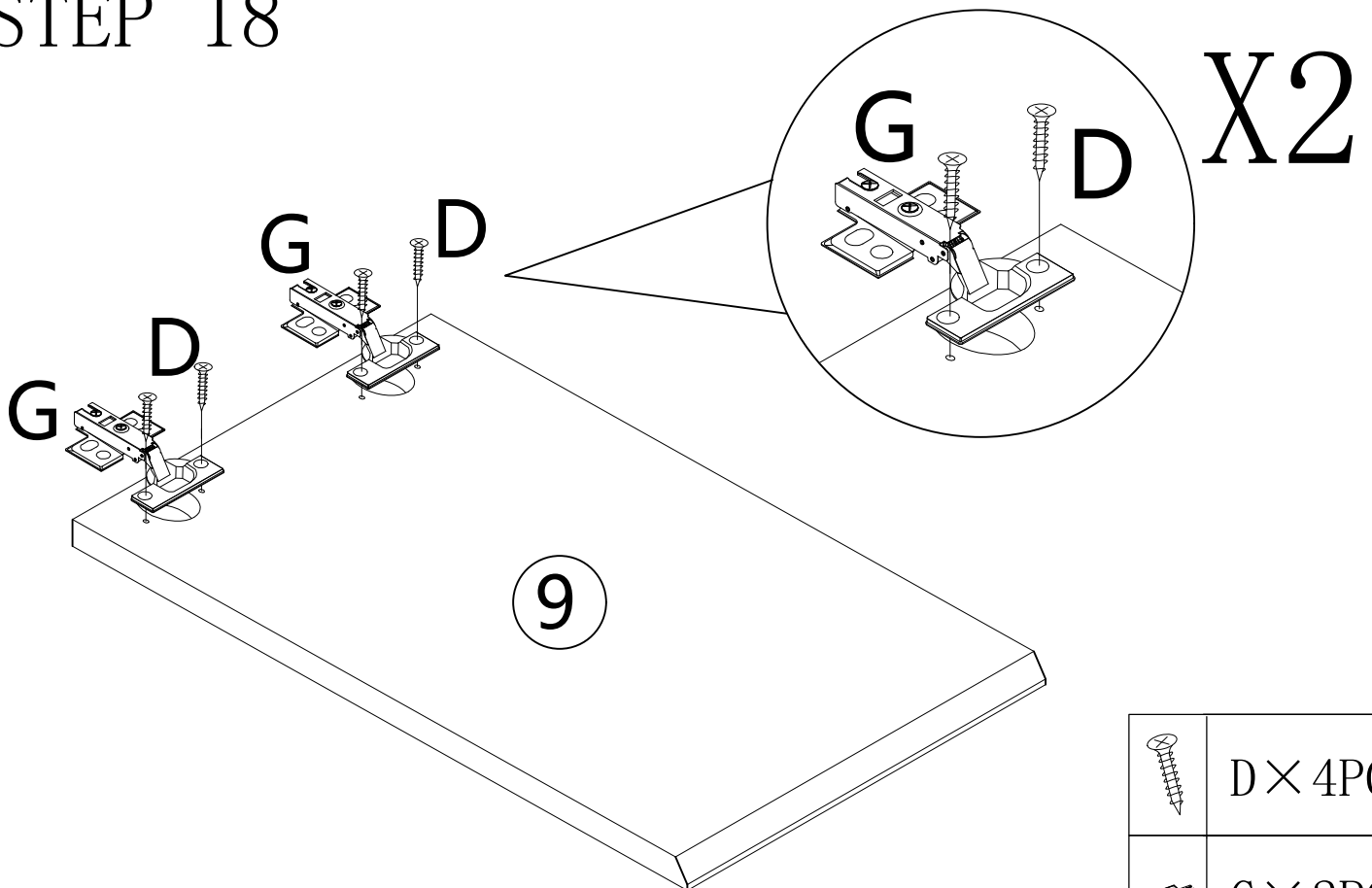
	D × 6PCS
	DL × 1PC
	DR × 1PC



STEP 17



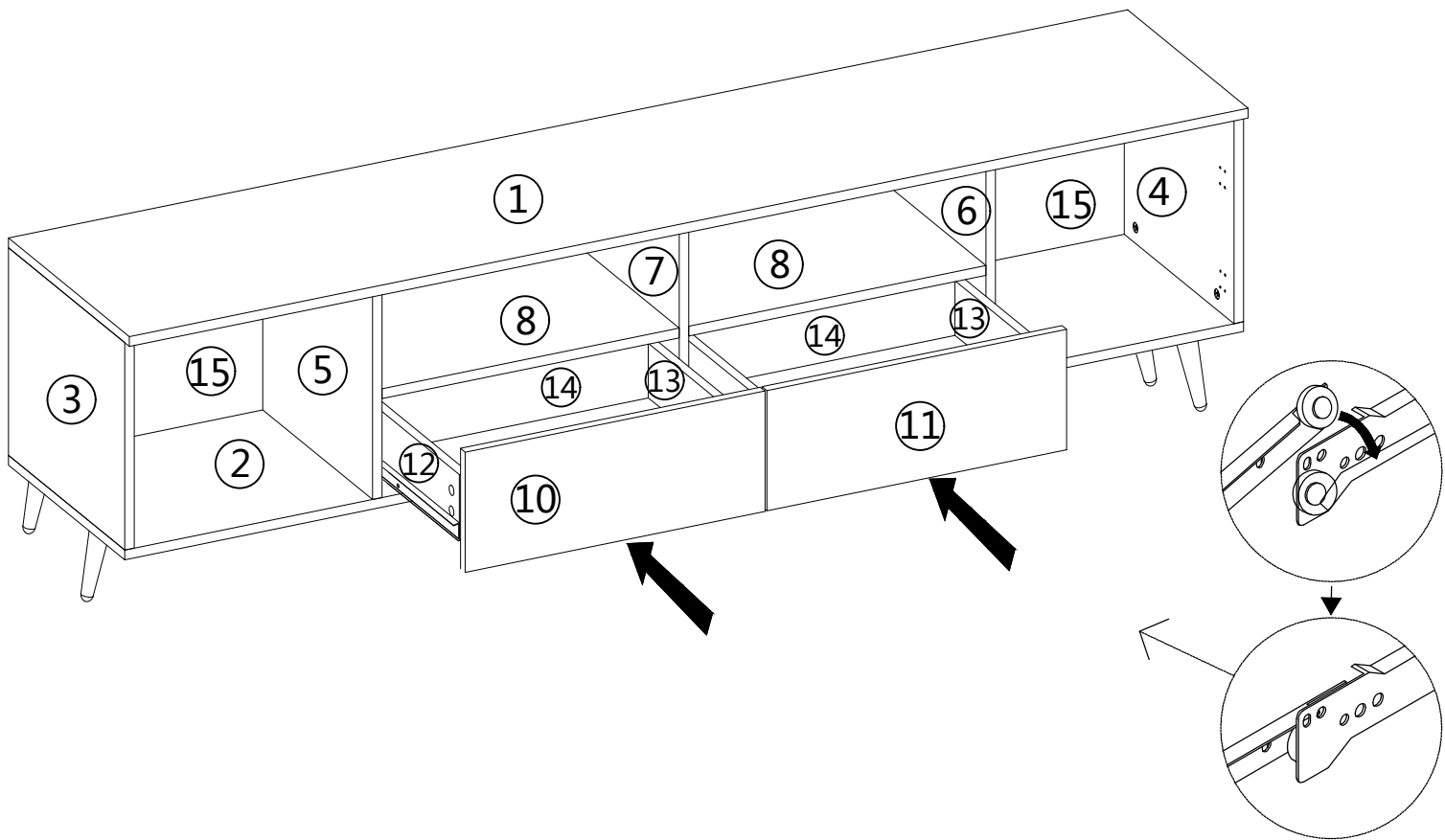
	D × 6PCS
	DL × 1PC
	DR × 1PC

STEP 18

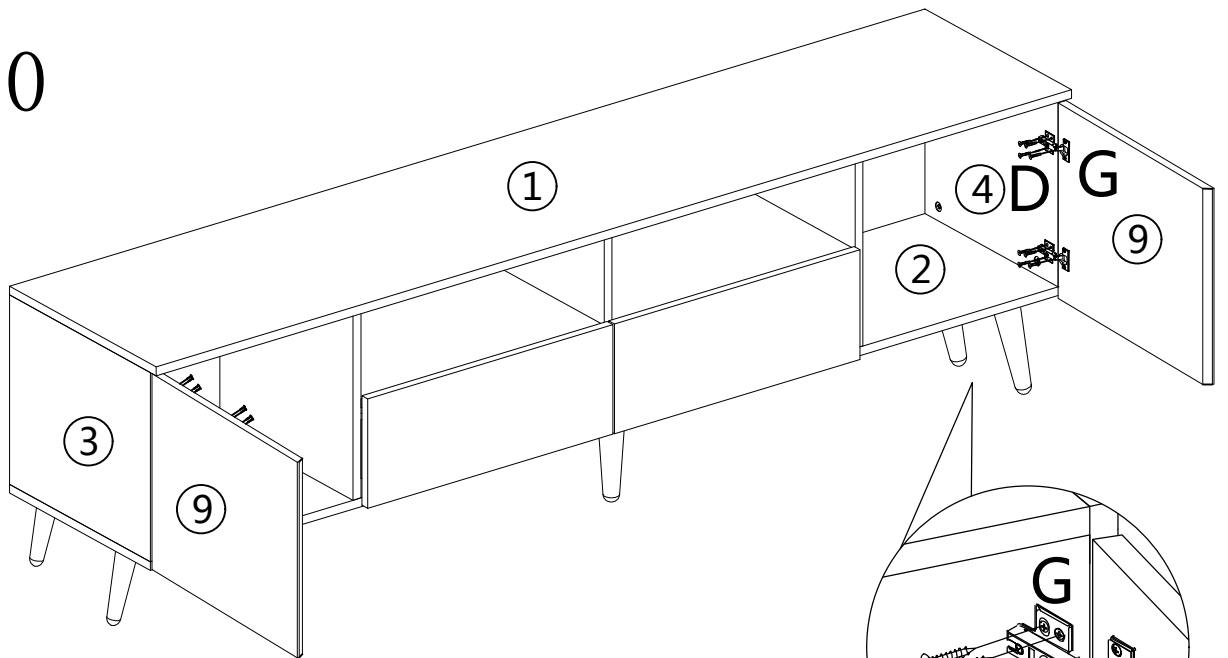
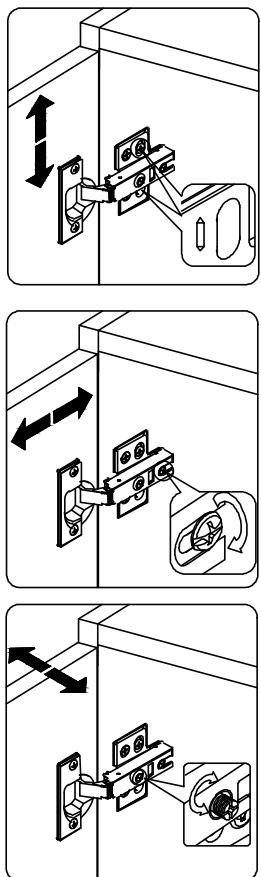


	D × 4PCS
	G × 2PCS

STEP 19

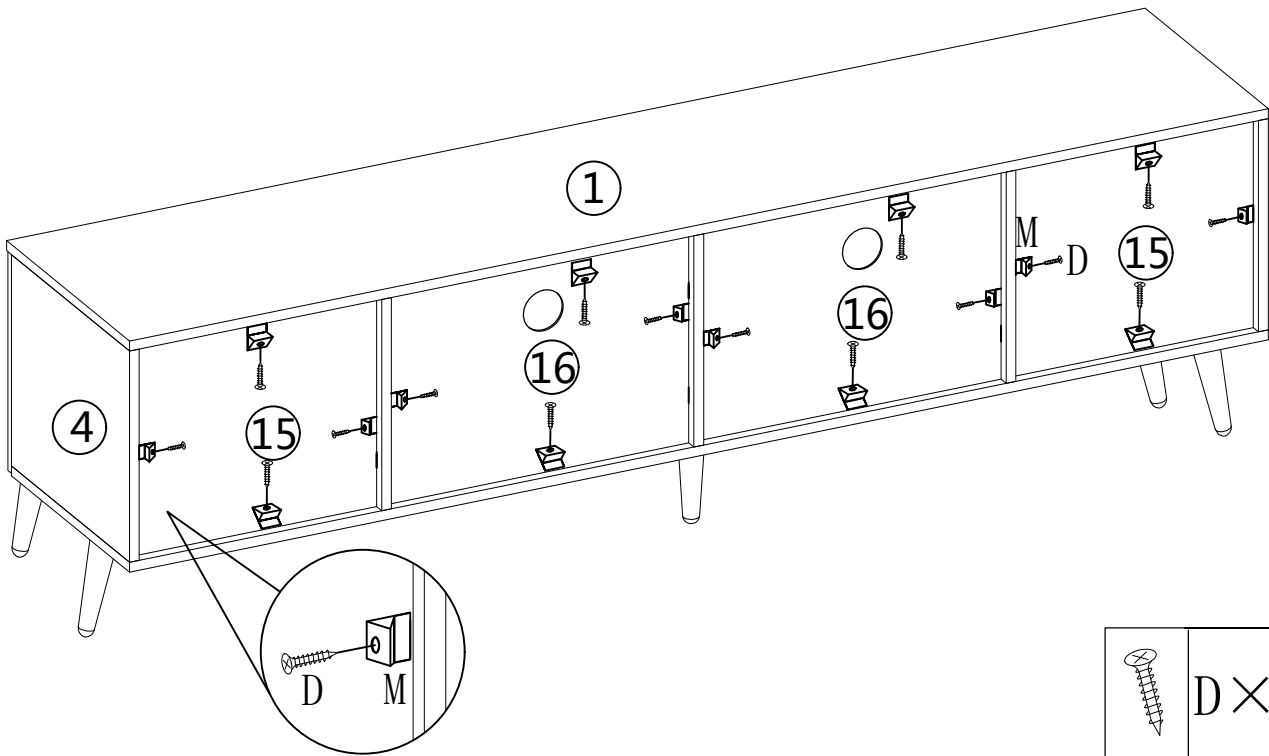



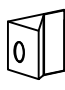
STEP 20



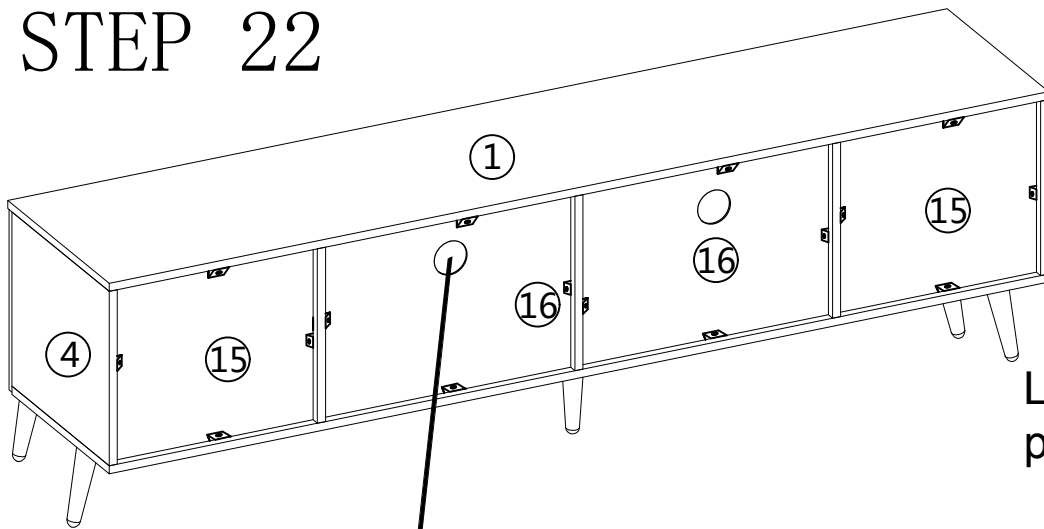
D × 16PCS

STEP 21



	D × 16PCS
	M × 16PCS

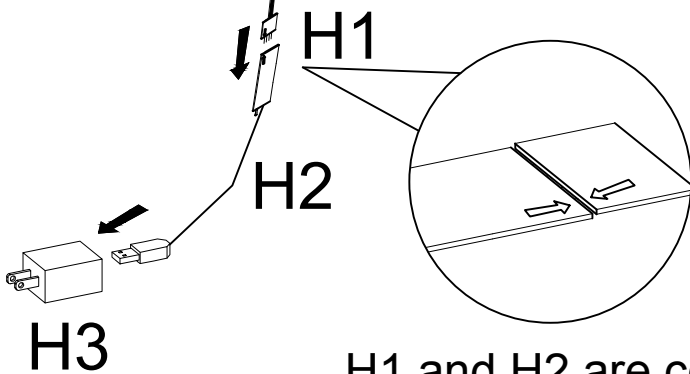
STEP 22



H4


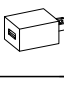

Last: lug the H3 into the power supply !

H4 can be adjusted !



Make sure the arrows are in the same position !

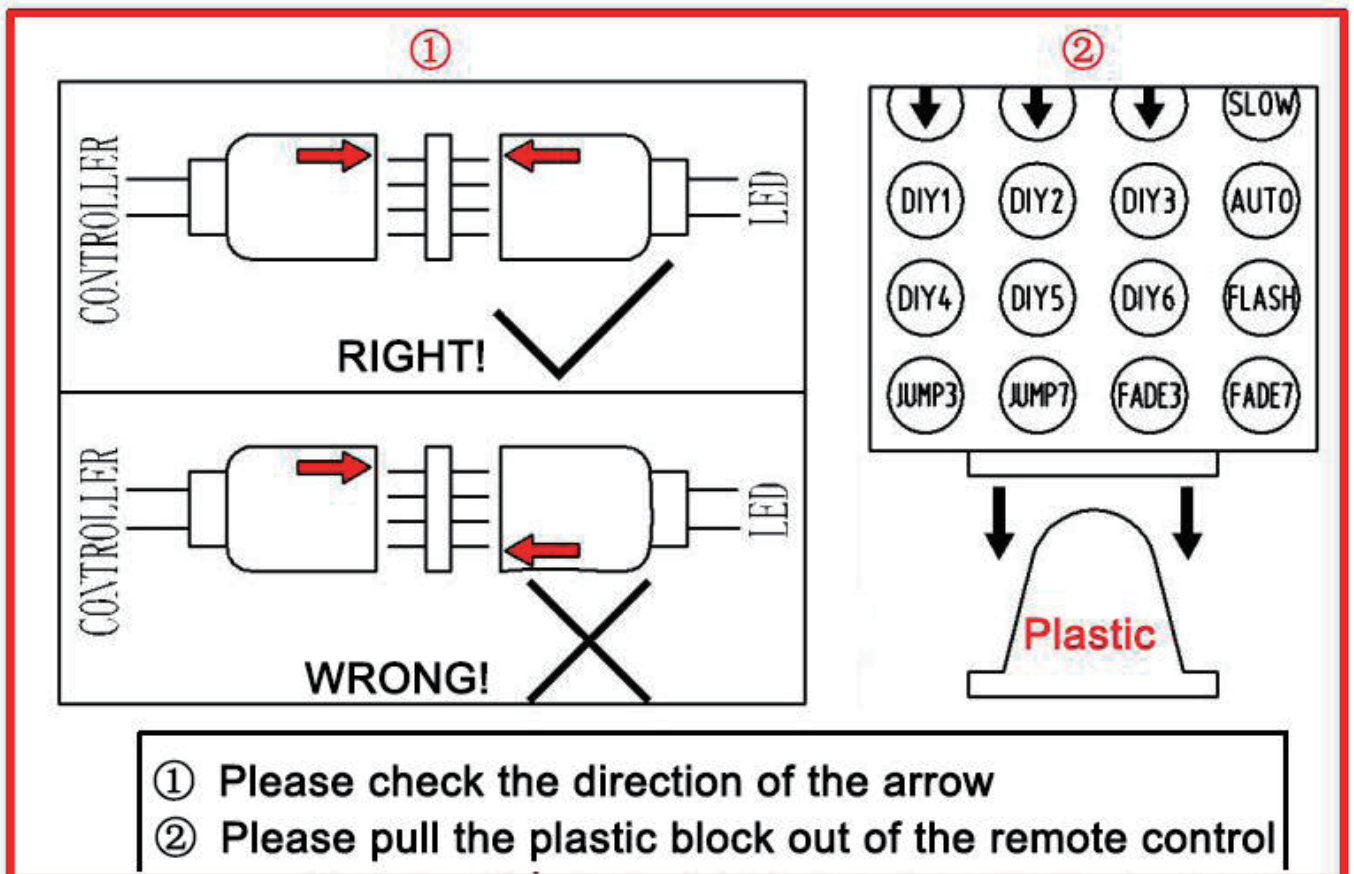
H1 and H2 are connected;
H2 and H3 are connected;

	H2 × 1PC
	H3 × 1PC
	H4 × 1PC

LED Light

If you can't let the lights work successfully, please check the following:

1. Please check the direction of the connect, try it in the opposite direction, according to the following picture.
2. Please check the remote control, it need you to tear down the plastic septum before use it.
3. Don't let the remote control too far from the receiver, make sure there is no obstruction between them.



END

