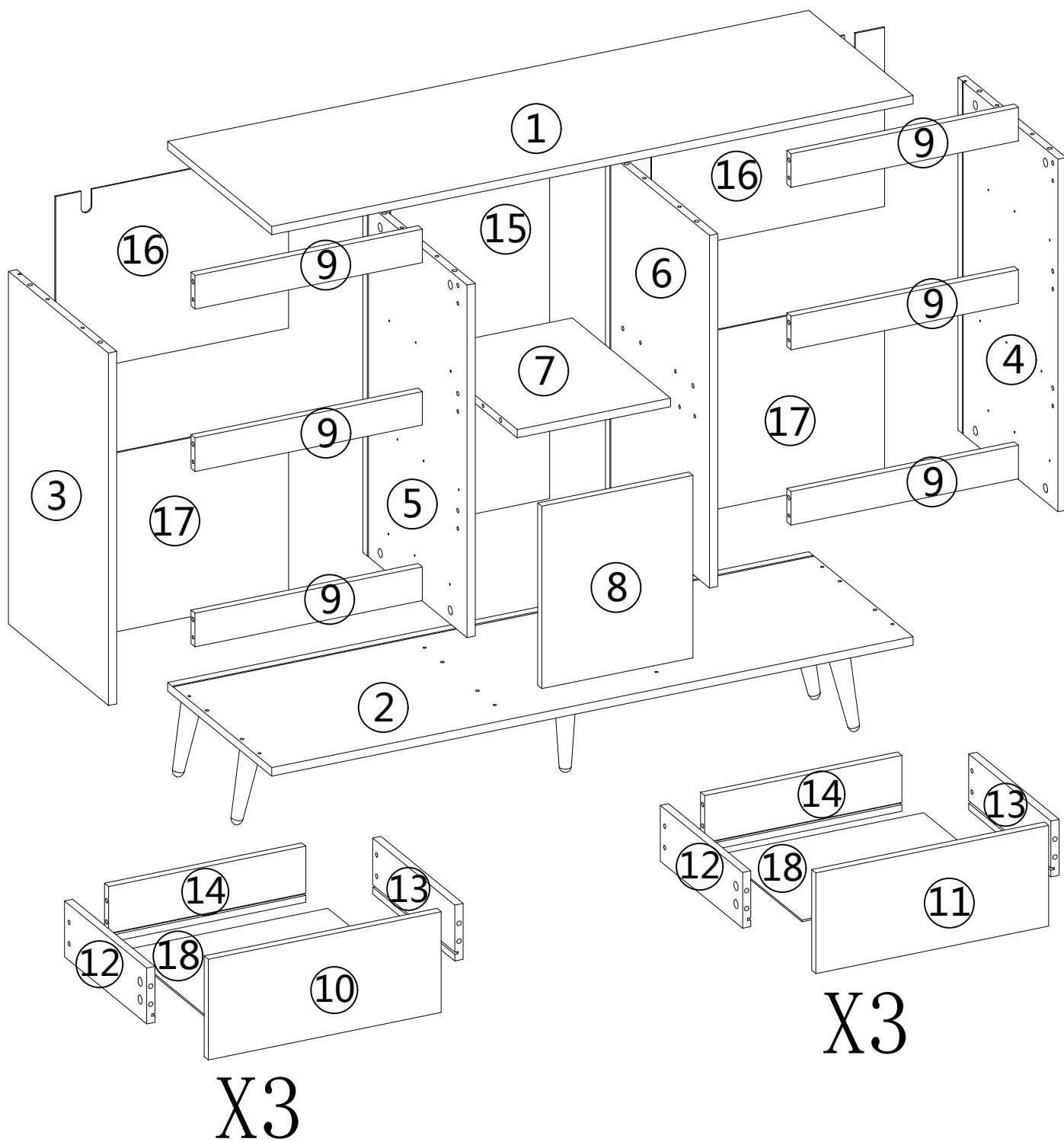
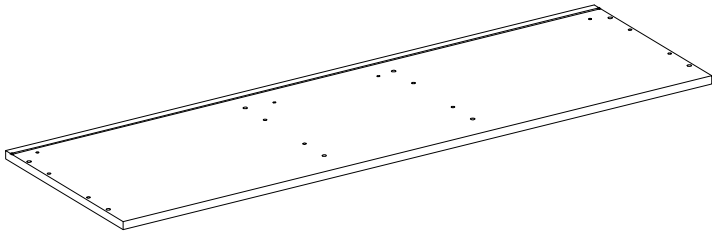


**DS-SB001W**



|                                    |   |  |                                       |                                      |                                       |                                    |  |
|------------------------------------|---|--|---------------------------------------|--------------------------------------|---------------------------------------|------------------------------------|--|
| <b>A</b><br><br>A1<br>A2<br>56PCS  | <b>B</b><br><br>B1<br>B2<br>32PCS                           | <b>C</b><br><br>C1<br>M3.5*14mm 126PCS | <b>D</b><br><br>D1<br>M3.5*35mm 24PCS | <b>E</b><br><br>E1<br>M3.5*40mm 2PCS | <b>F</b><br><br>F1<br>M8*40mm 2PCS    | <b>G</b><br><br>G1<br>G2<br>1PC    | <b>H</b><br><br>H1<br>H2<br>H3<br>L=300mm 6PCS |
| <b>I</b><br><br>I1<br>L=105mm 2PCS | <b>J</b><br><br>J1<br>J2<br>J3<br>J4<br>J5*2<br>J6*2<br>1PC | <b>K</b><br><br>K1<br>H=150mm 4PCS     | <b>L</b><br><br>L1<br>H=150mm 1PC     | <b>M</b><br><br>M1<br>18PCS          | <b>N</b><br><br>N1<br>65X32X15mm 2PCS | <b>O</b><br><br>O1<br>L=414mm 2PCS | <b>P</b><br><br>P1<br>φ21mm 56PCS              |

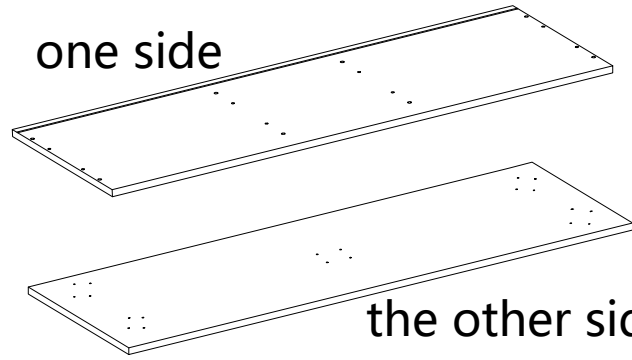
1



1170\*380\*15mm

1 PC

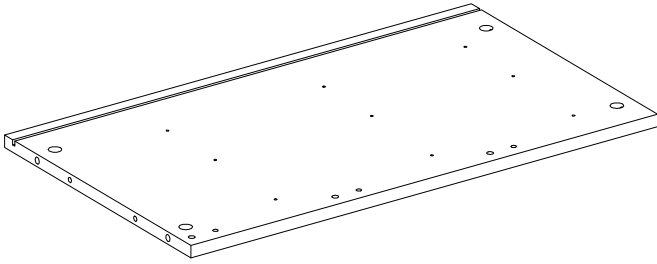
2



1170\*380\*15mm

1 PC

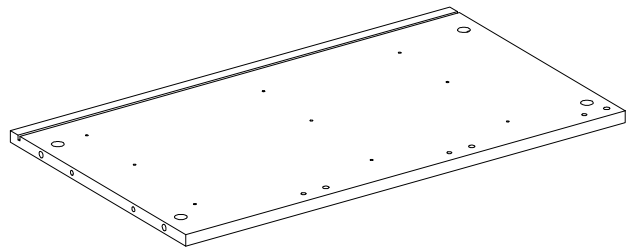
3



630\*363\*15mm

1 PC

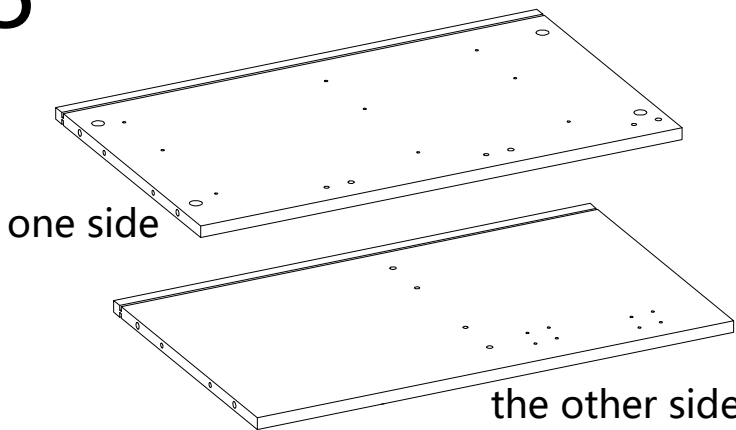
4



630\*363\*15mm

1 PC

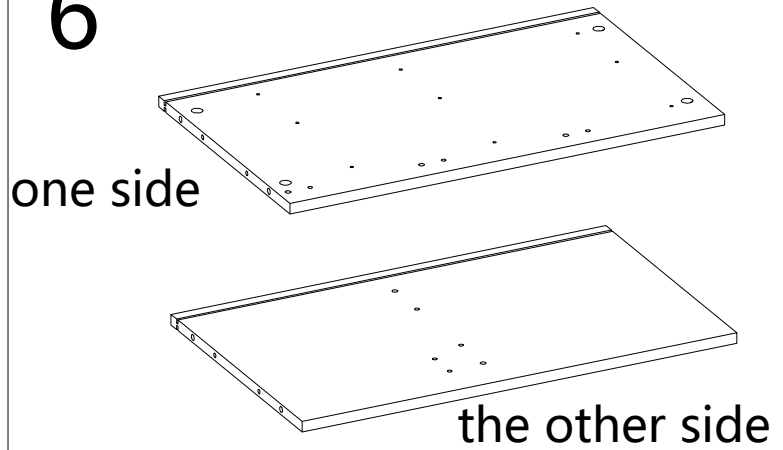
5



630\*379\*15mm

1 PC

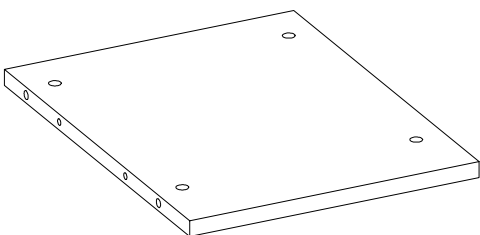
6



630\*379\*15mm

1 PC

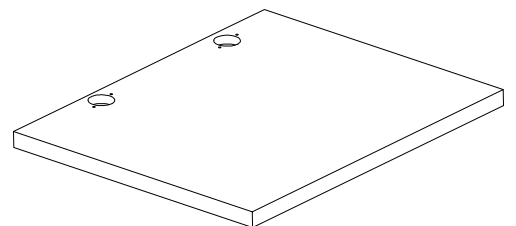
7



280\*358.5\*15mm

1 PC

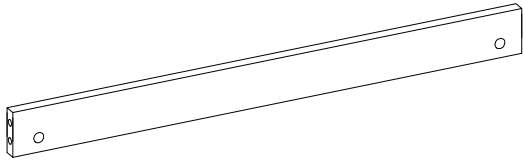
8



326\*276\*15mm

1 PC

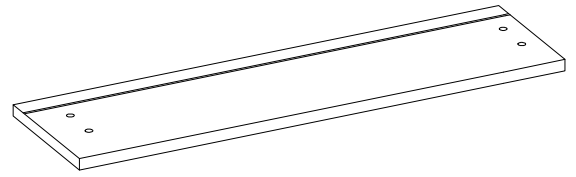
9



414\*60\*15mm

6 PCS

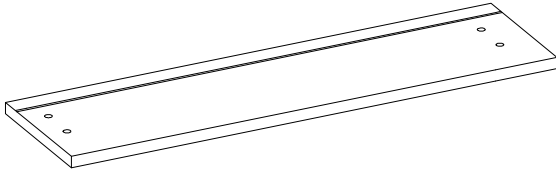
10



180\*425\*15mm

3 PCS

11

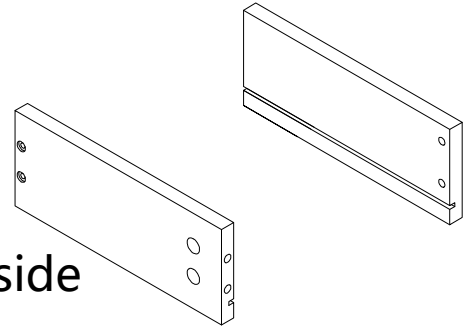


180\*425\*15mm

3 PCS

12

the other side



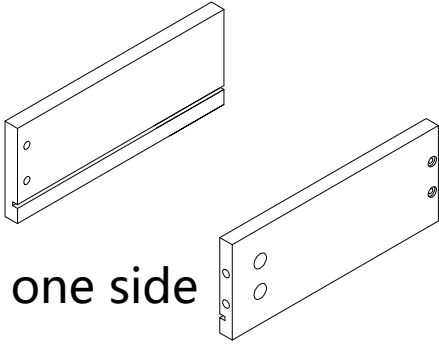
one side

300\*100\*15mm

6 PCS

13

the other side

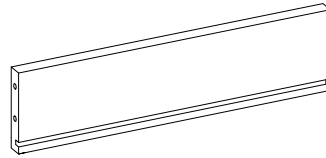


one side

300\*100\*15mm

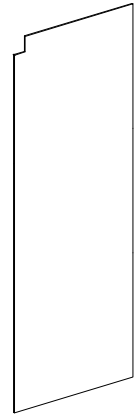
6 PCS

14



359\*100\*15mm 6 PCS

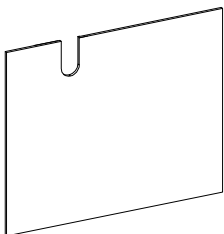
15



640\*288\*3mm

1 PC

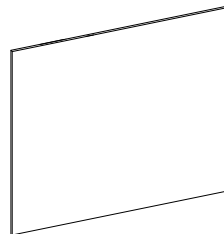
16



320\*423\*3mm

2 PCS

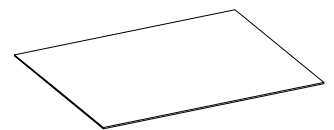
17



320\*423\*3mm

2 PCS

18



369\*295\*3mm

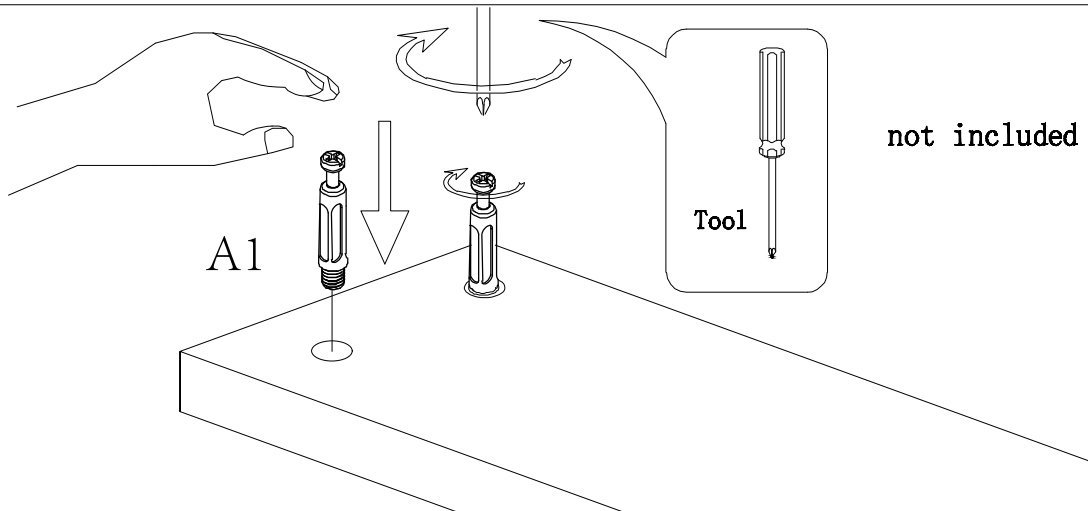
6 PCS

# Hardware installation demonstration

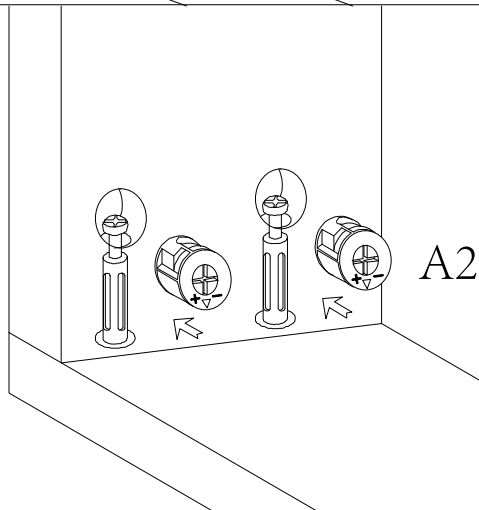


NOTE: Please make sure "A1" hardware tightened and can't be pulled out!

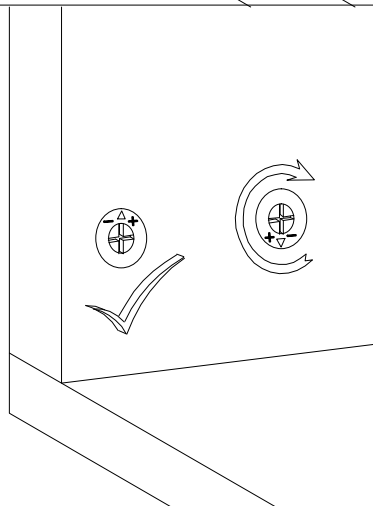
I



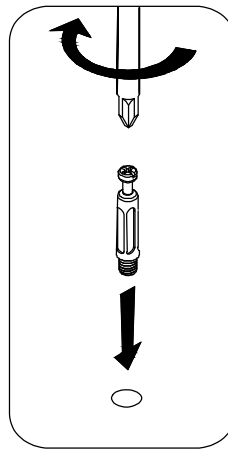
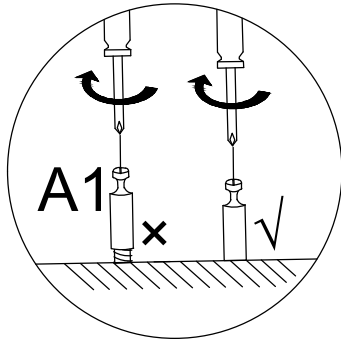
II



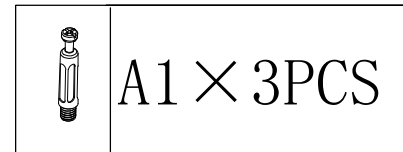
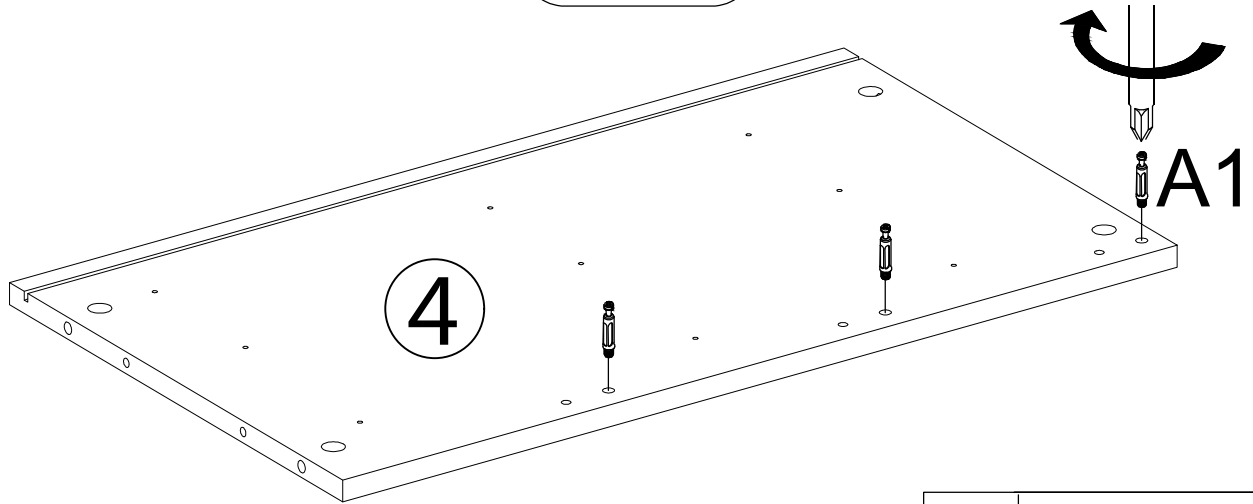
III



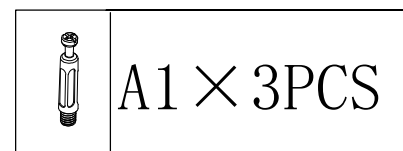
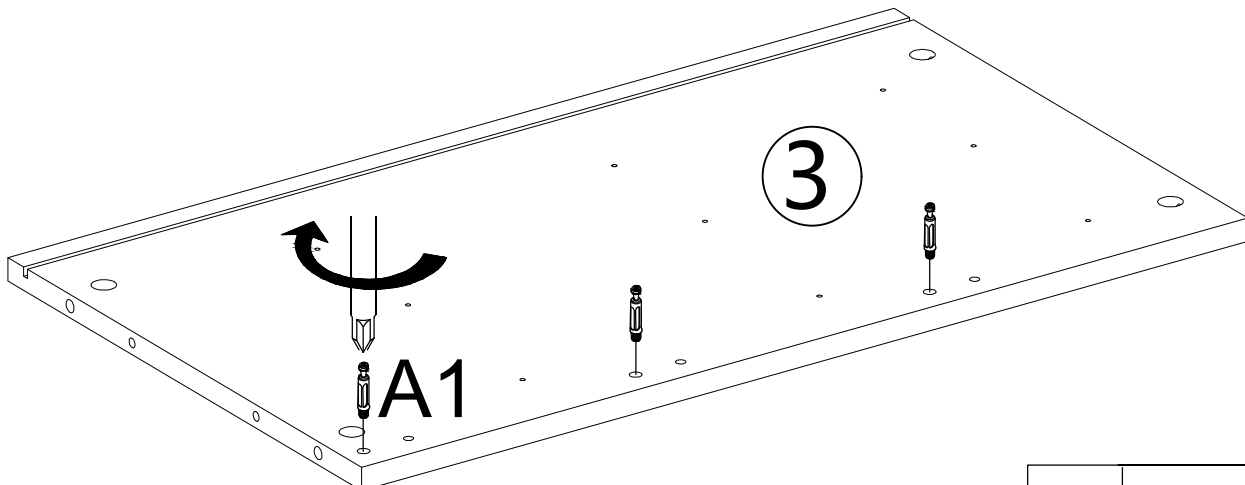
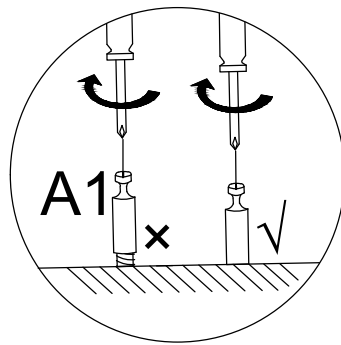
# STEP 1



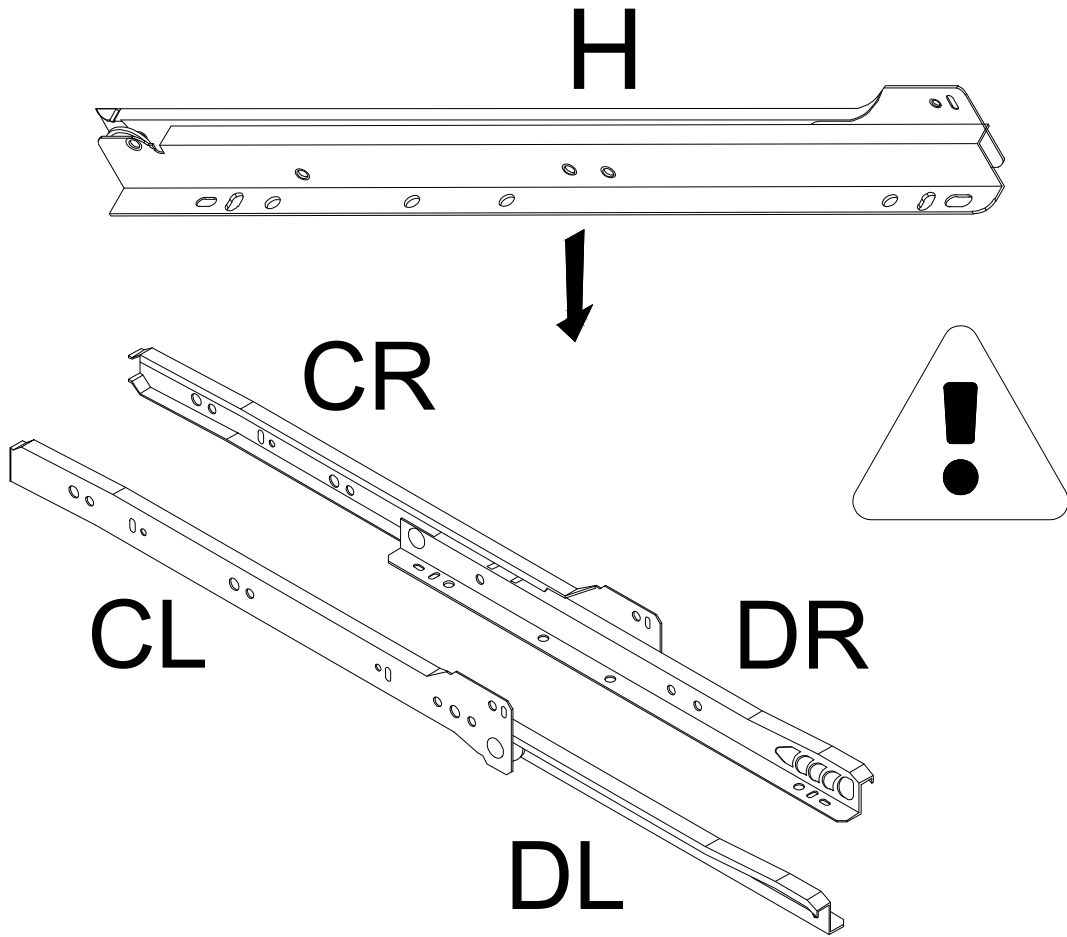
Tighten it , Same after



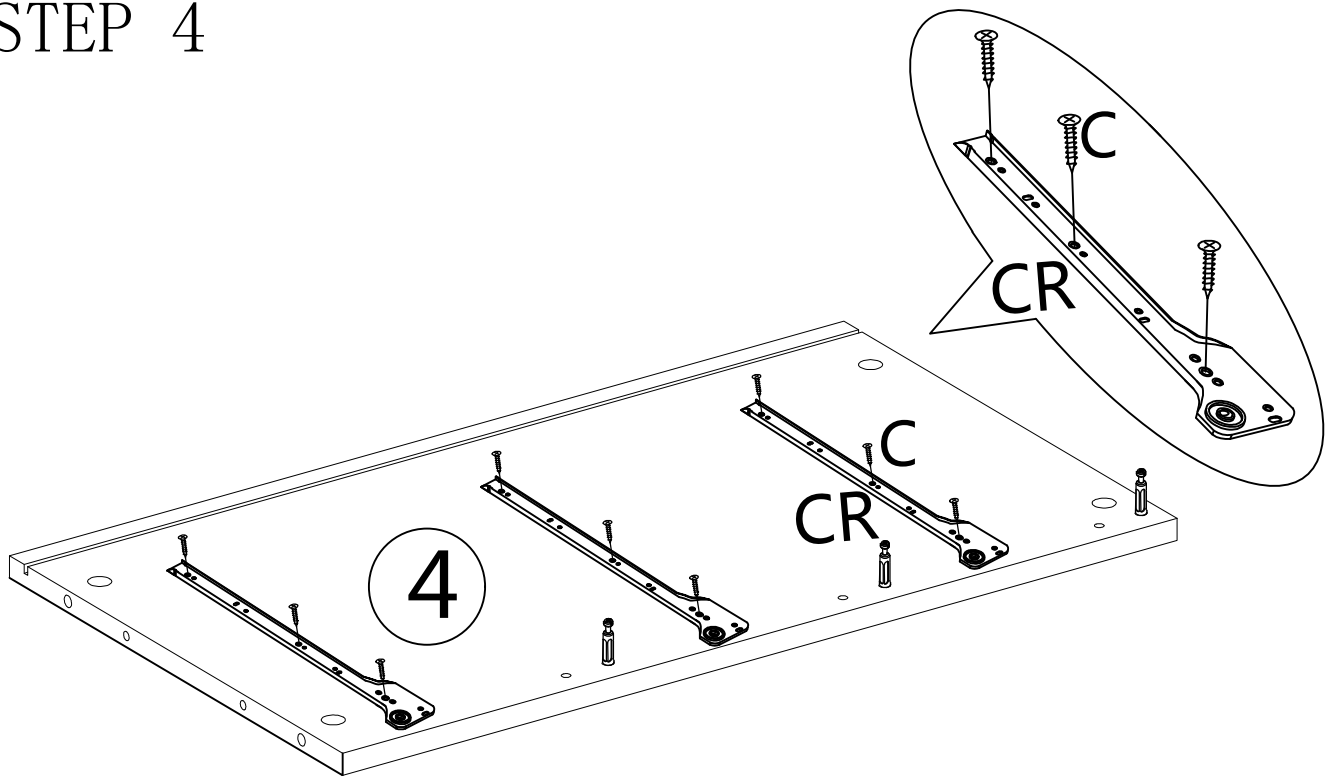
# STEP 2

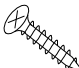



# STEP 3

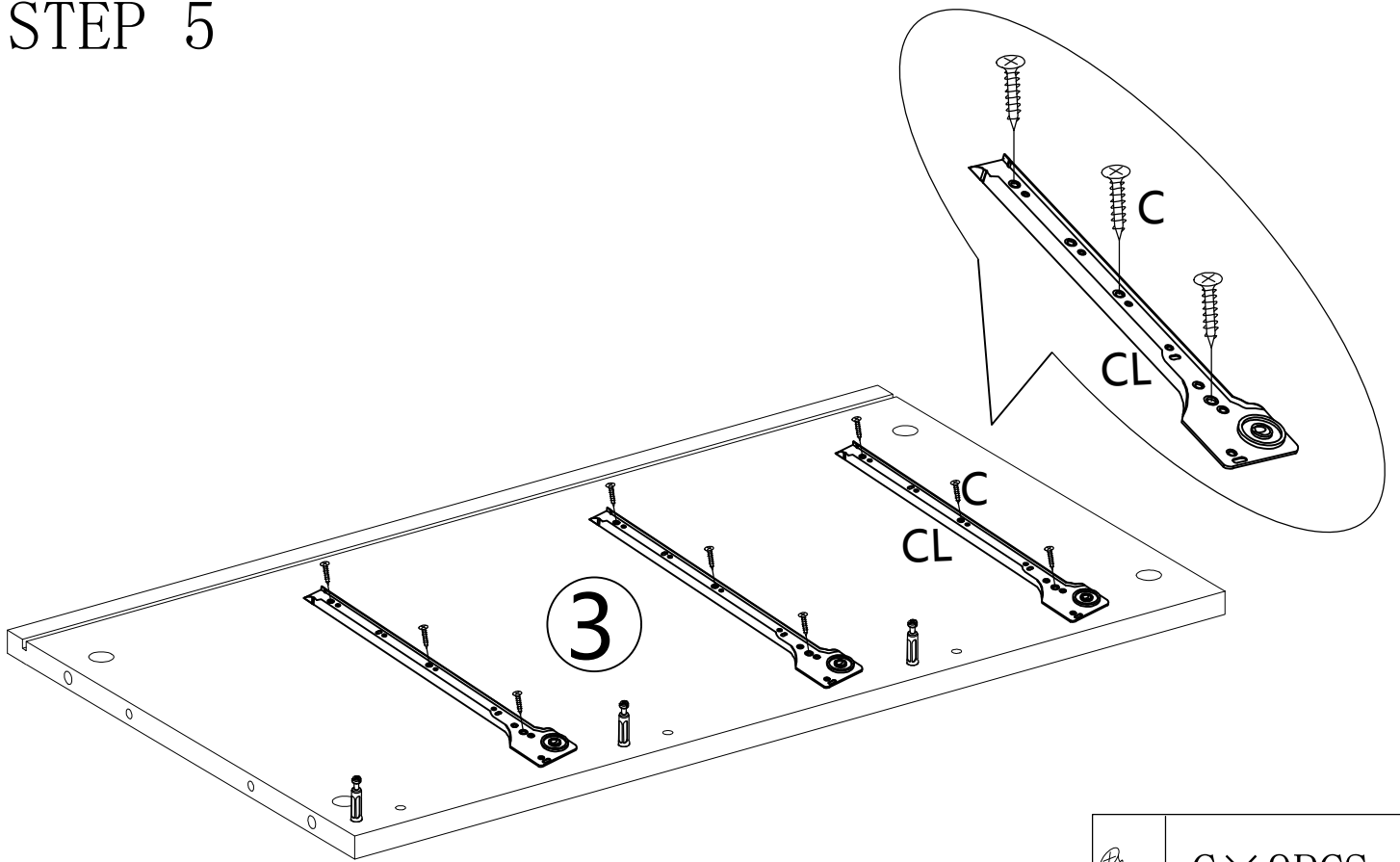


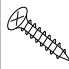

# STEP 4



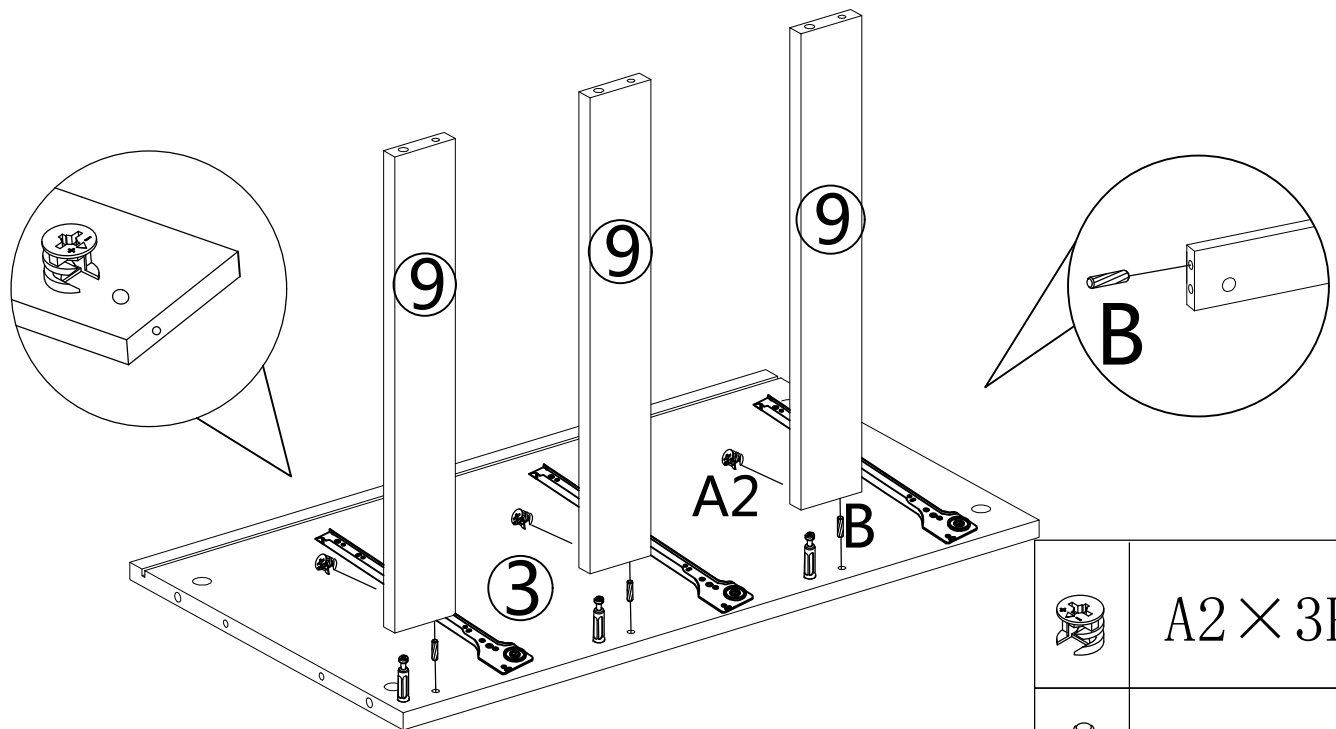
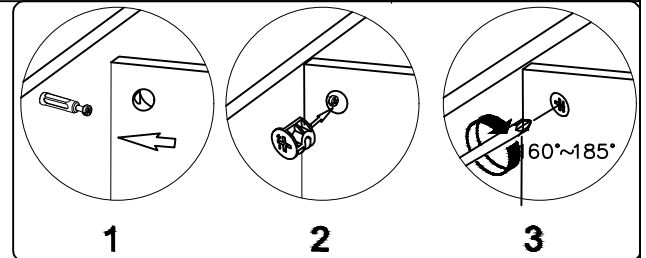
|   |           |
|---|-----------|
|  | C × 9PCS  |
|  | CR × 3PCS |



# STEP 5



|   |           |
|---|-----------|
|    | C × 9PCS  |
|  | CL × 3PCS |

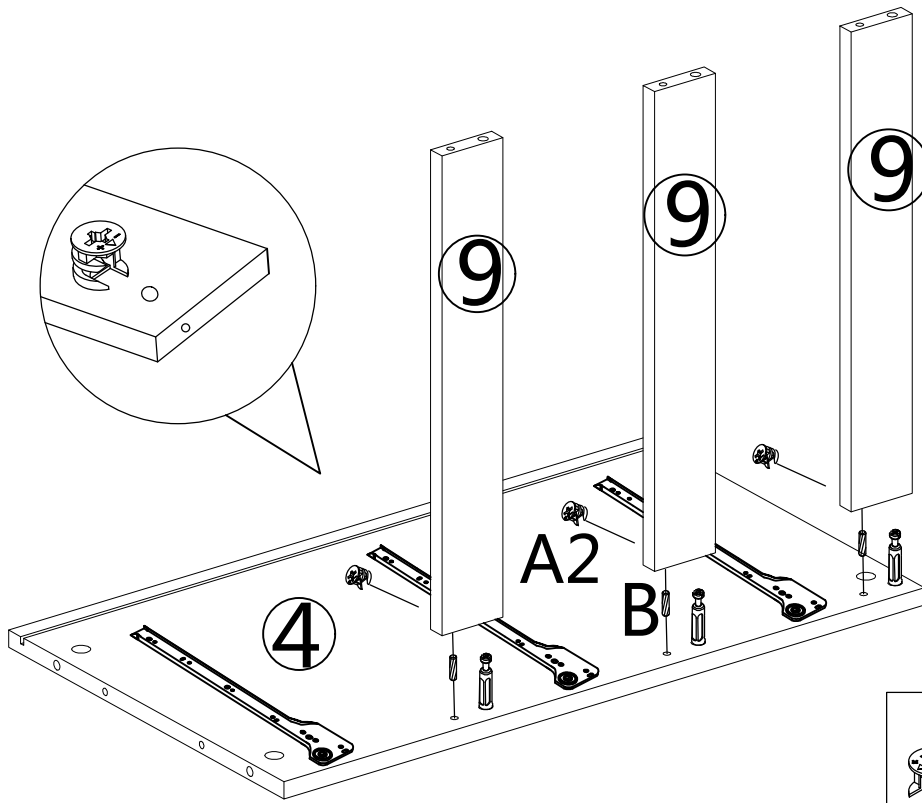
# STEP 6





|   |           |
|---|-----------|
|  | A2 × 3PCS |
|  | B × 3PCS  |

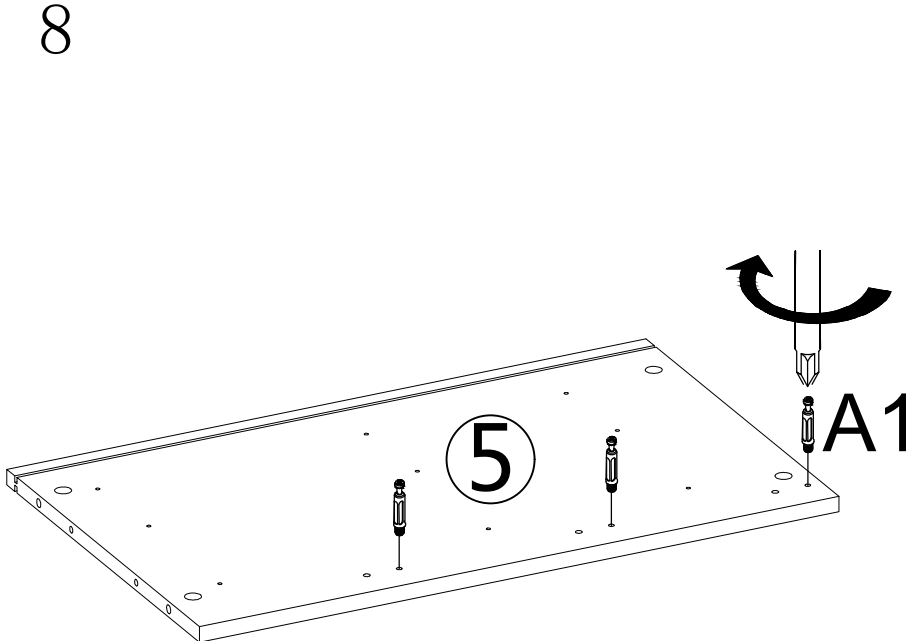


# STEP 7

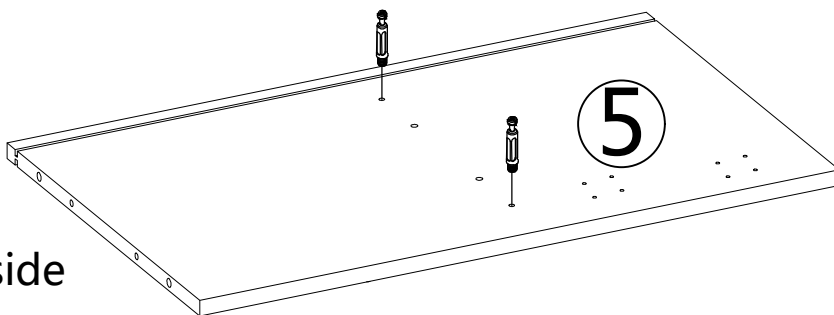


|   |           |
|---|-----------|
|    | A2 × 3PCS |
|  | B × 3PCS  |


# STEP 8



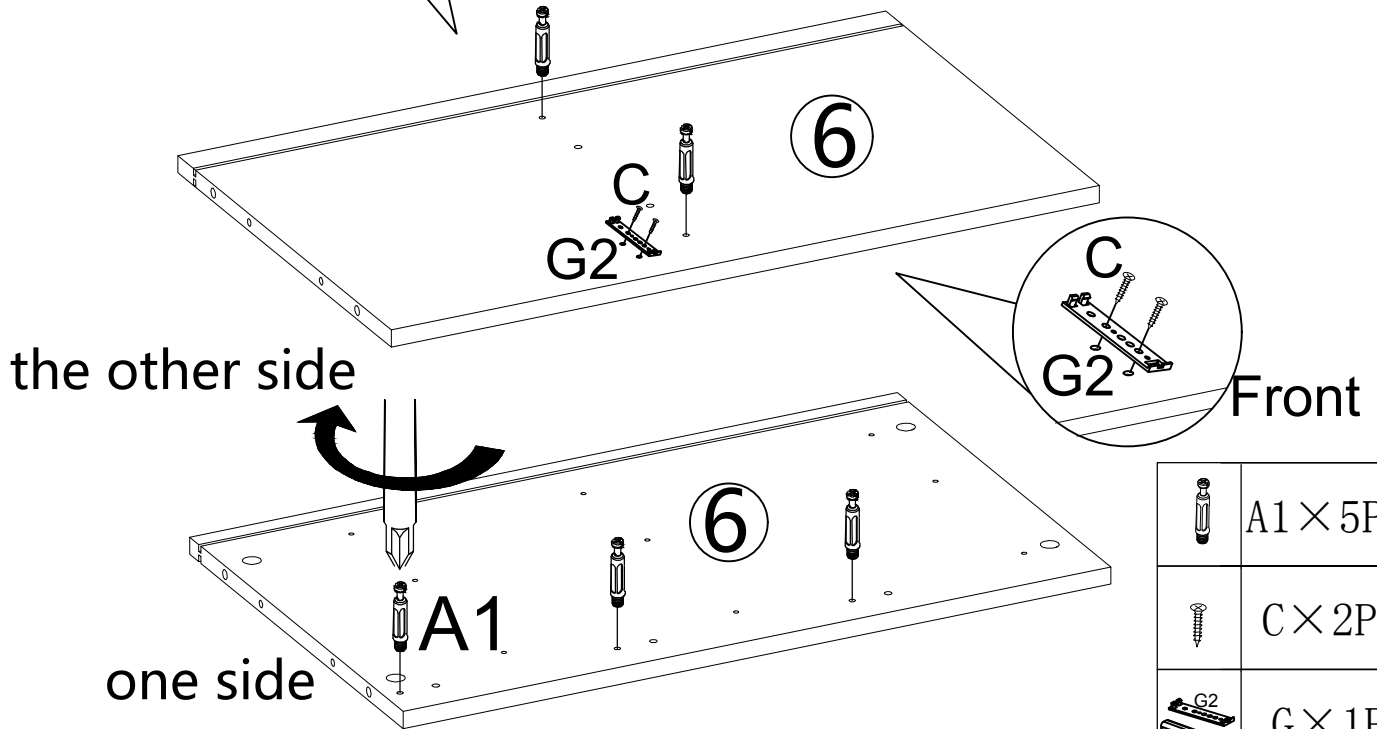
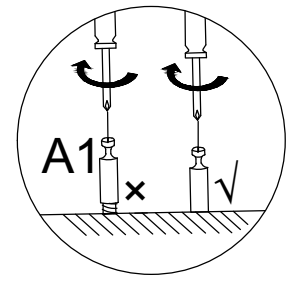
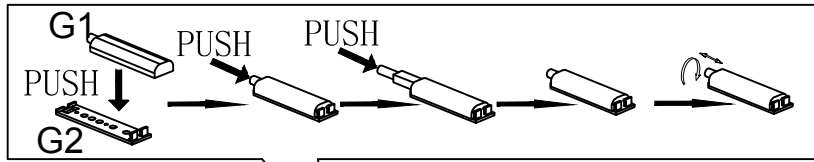
one side



the other side

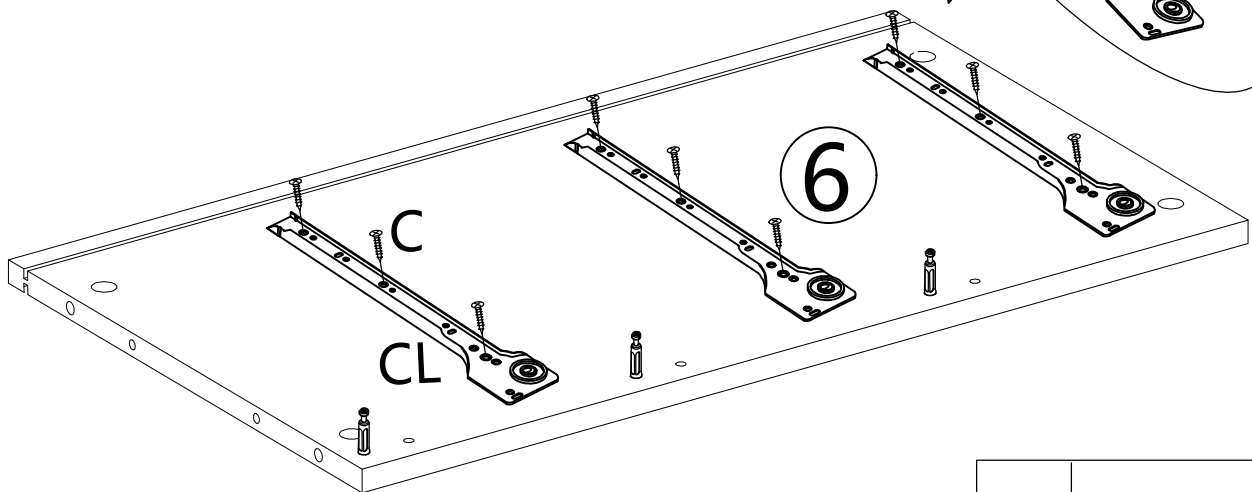
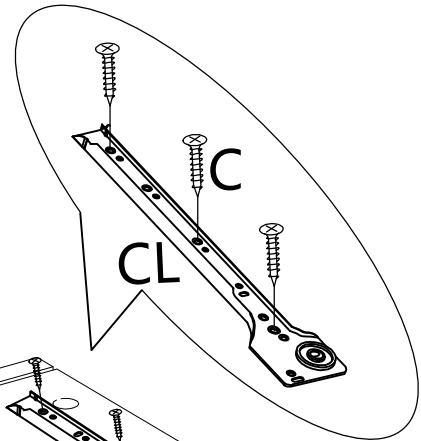
|   |           |
|---|-----------|
|  | A1 × 5PCS |
|---|-----------|

# STEP 9



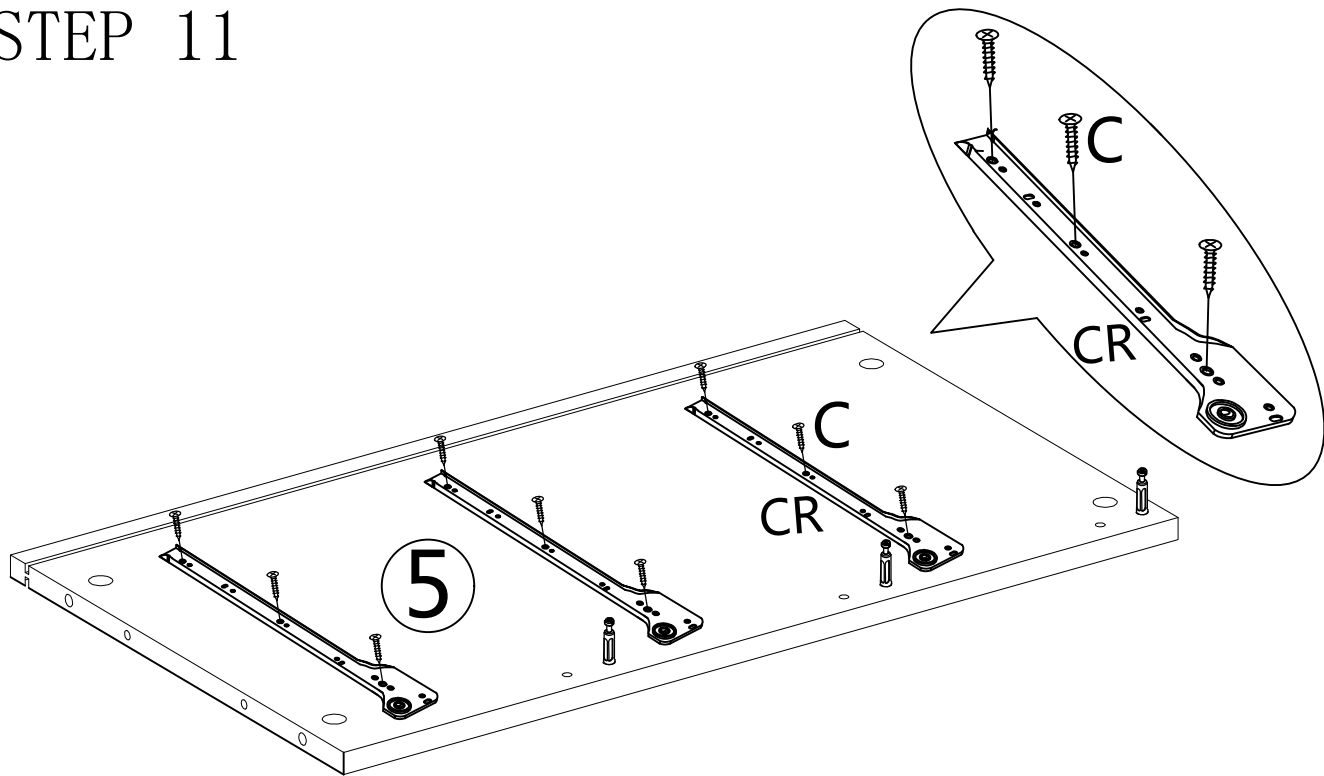
|  |           |
|--|-----------|
|  | A1 × 5PCS |
|  | C × 2PCS  |
|  | G × 1PC   |

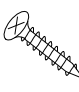

# STEP 10



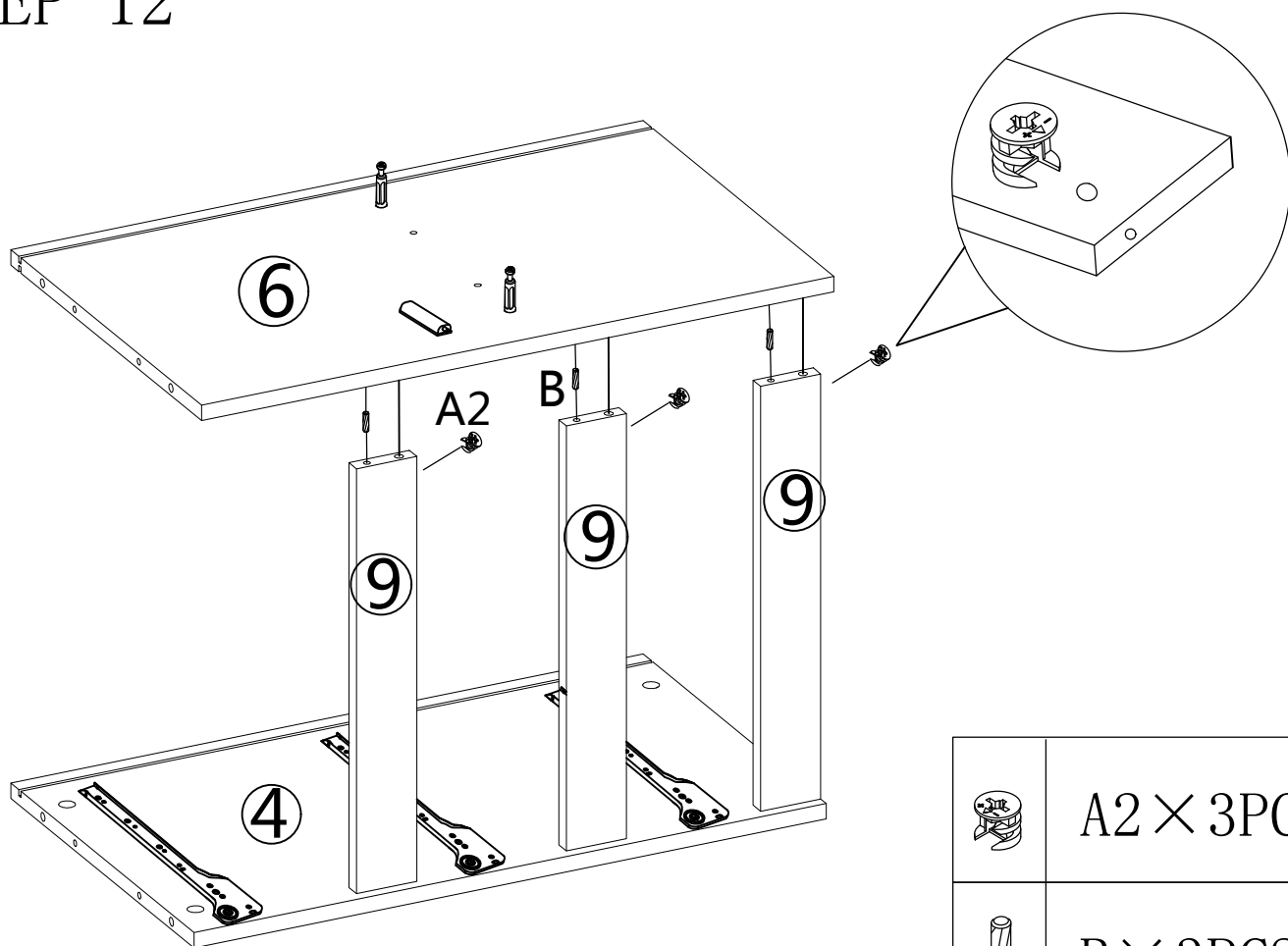
|  |           |
|--|-----------|
|  | C × 9PCS  |
|  | CL × 3PCS |



# STEP 11



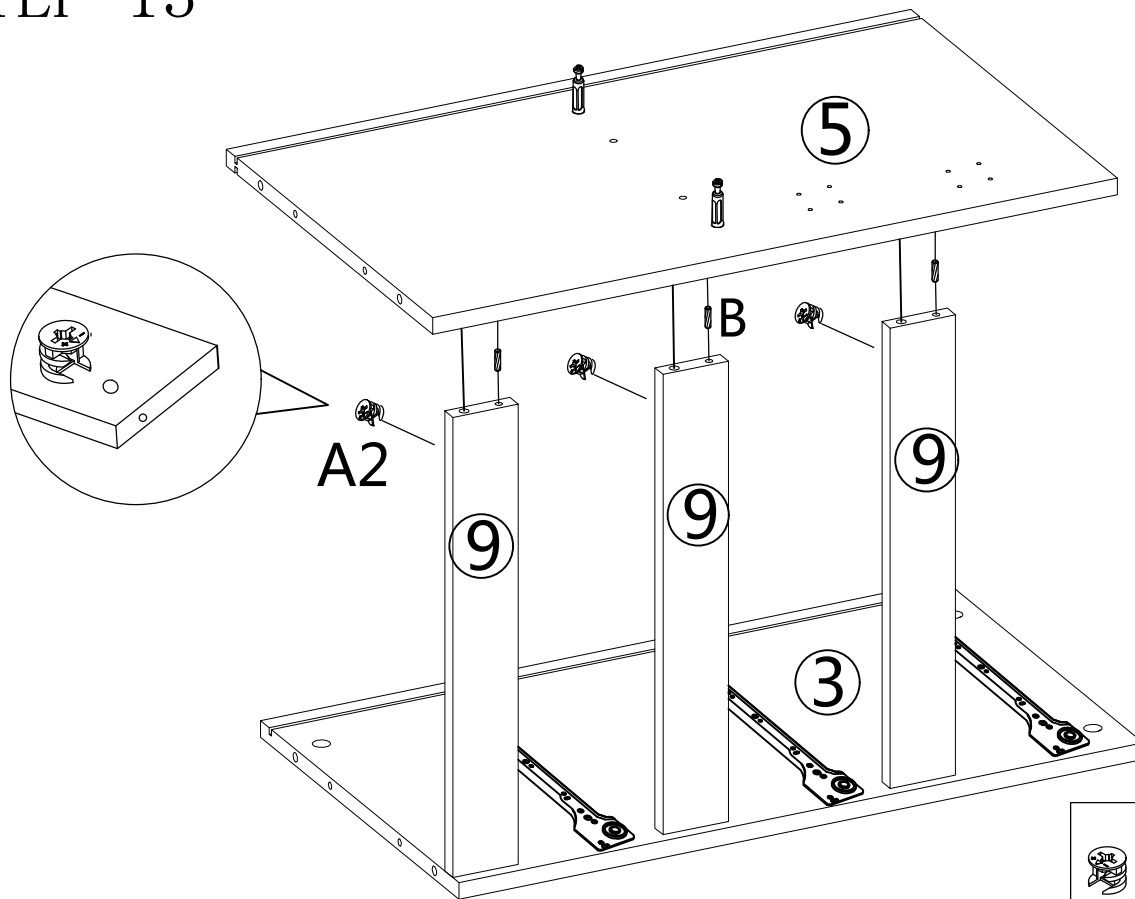
|   |           |
|---|-----------|
|    | C × 9PCS  |
|  | CR × 3PCS |



# STEP 12



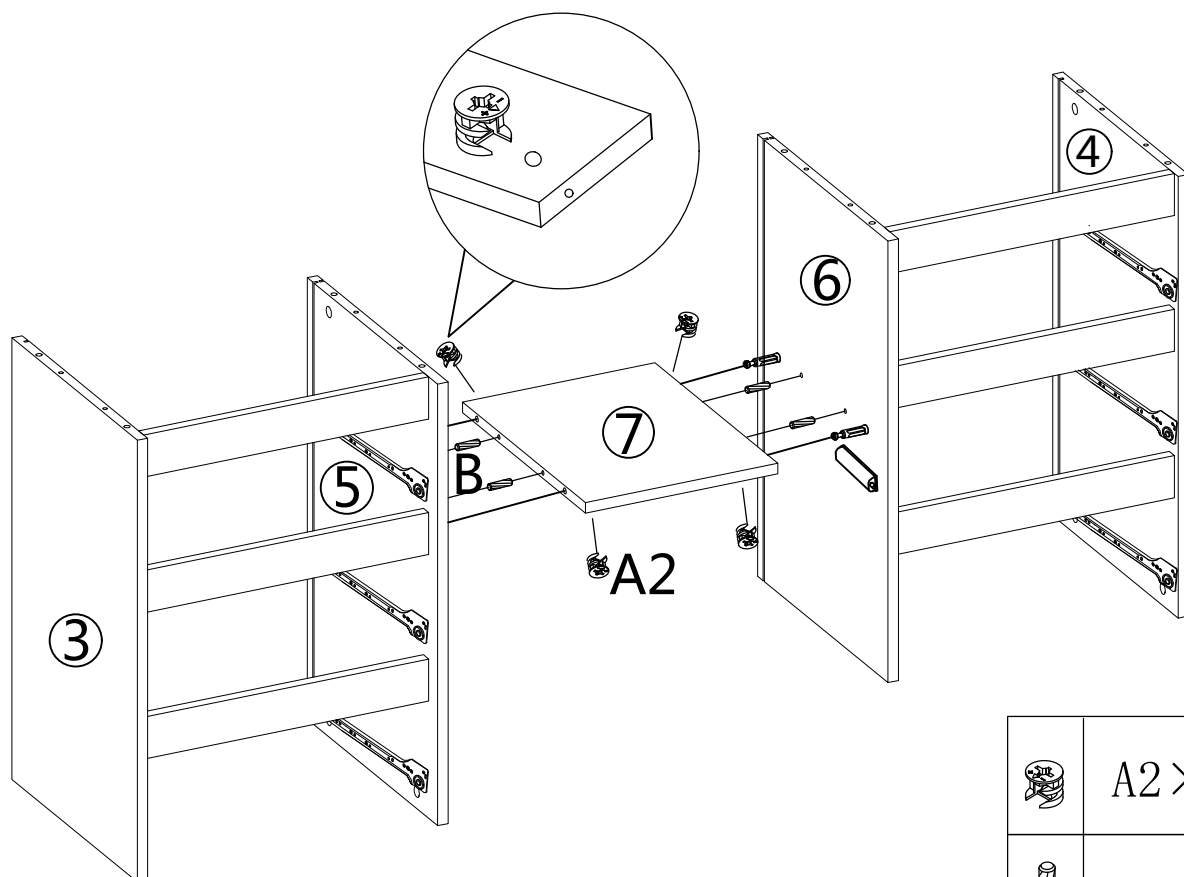
|   |           |
|---|-----------|
|  | A2 × 3PCS |
|  | B × 3PCS  |



# STEP 13



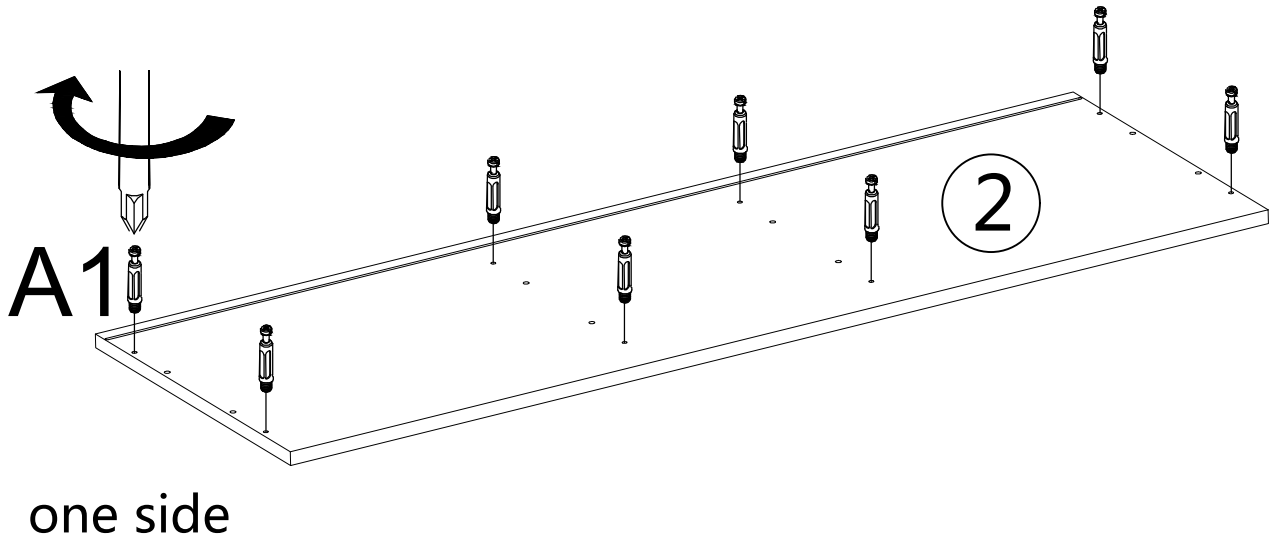
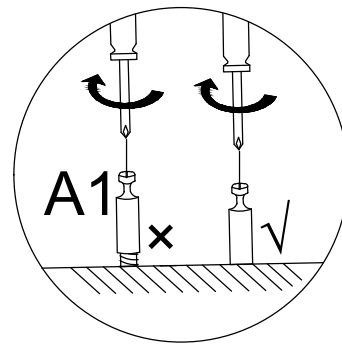
|   |           |
|---|-----------|
|    | A2 × 3PCS |
|  | B × 3PCS  |


# STEP 14



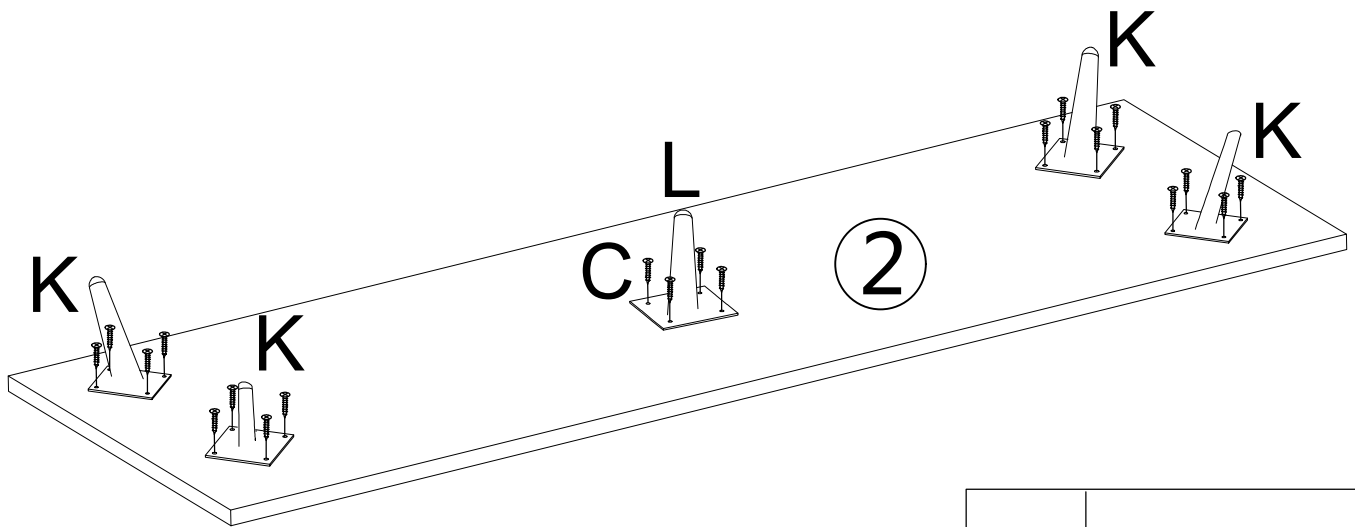
|   |           |
|---|-----------|
|  | A2 × 4PCS |
|  | B × 4PCS  |




# STEP 15



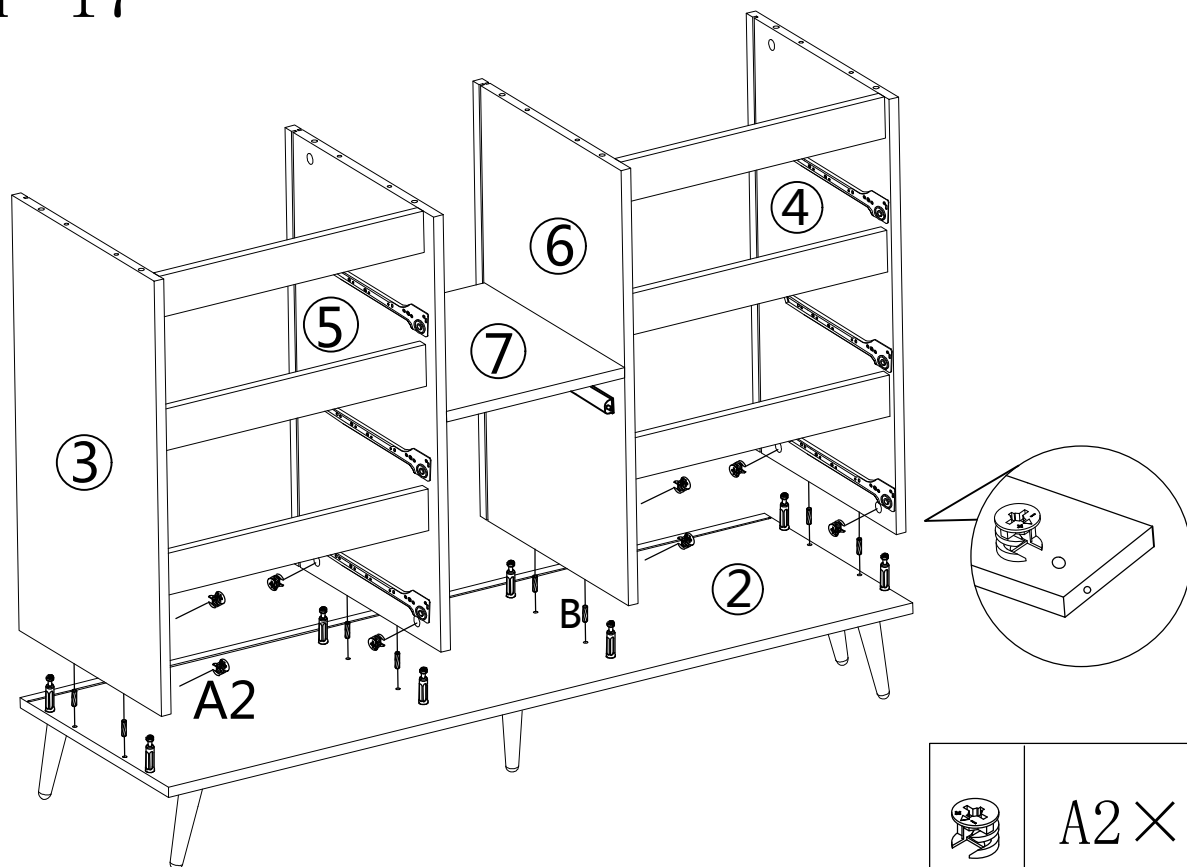
|  |           |
|--|-----------|
|  | A1 × 8PCS |
|--|-----------|



# STEP 16



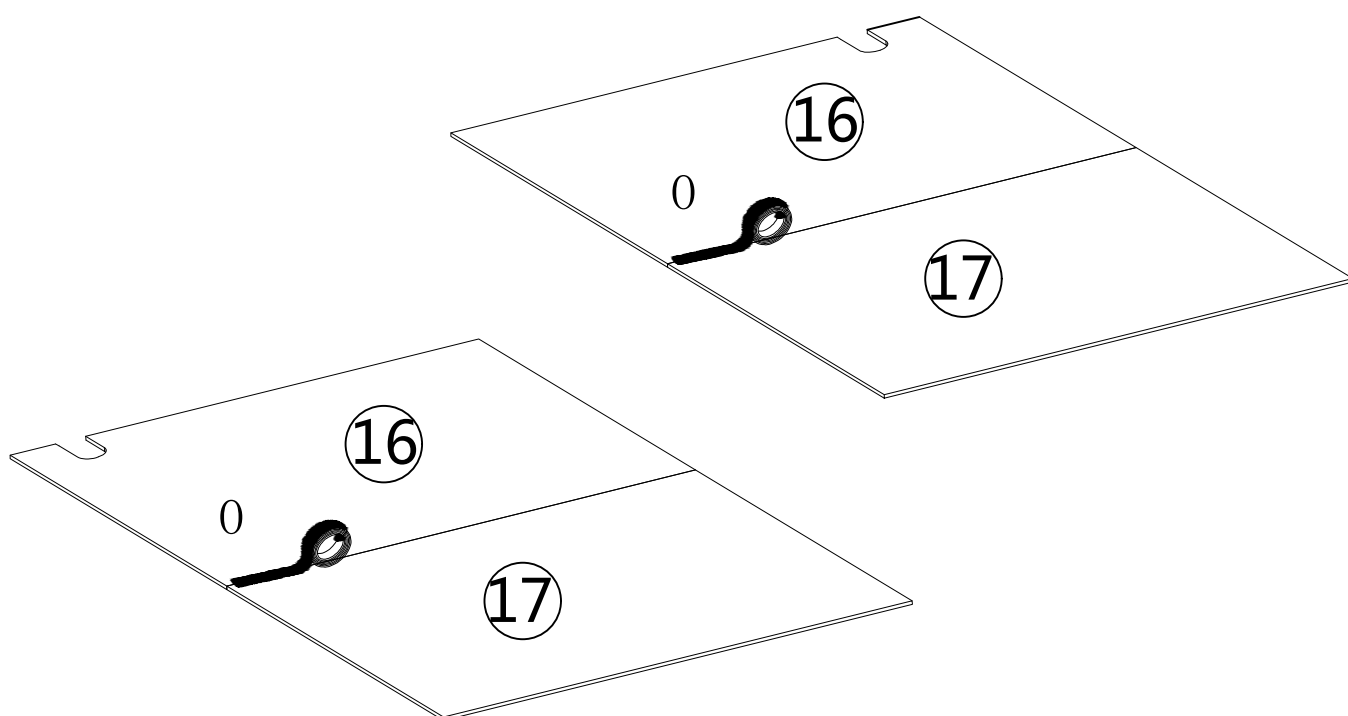
|   |           |
|---|-----------|
|  | C × 20PCS |
|  | K × 4PCS  |
|  | L × 1PC   |


# STEP 17



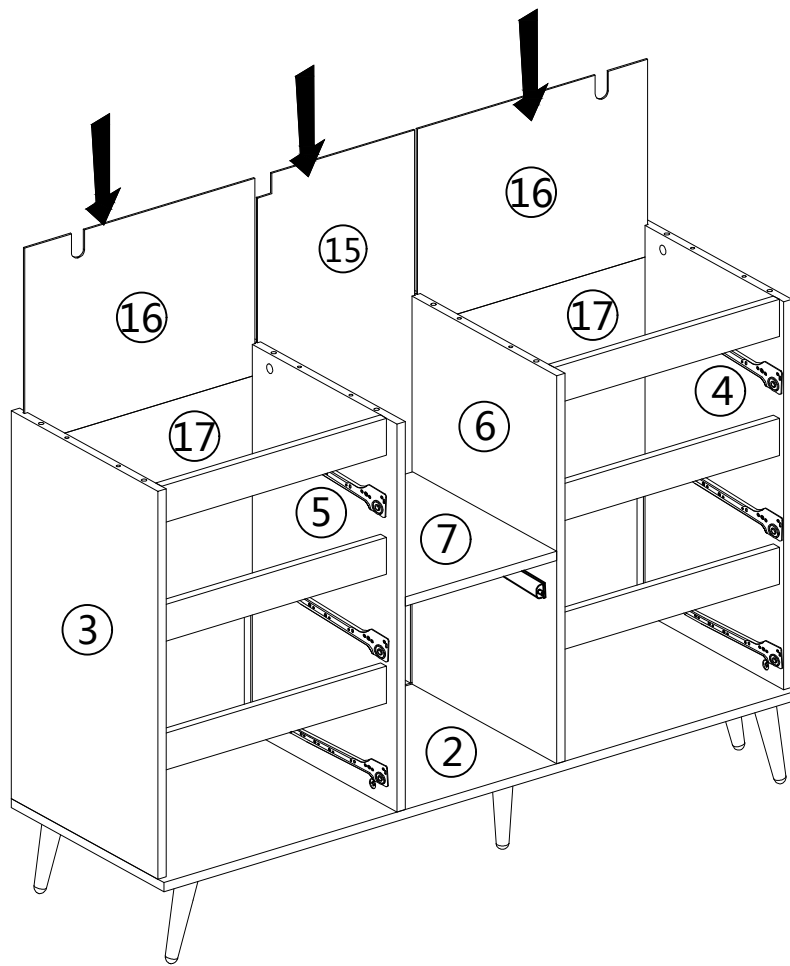
|   |           |
|---|-----------|
|    | A2 × 8PCS |
|  | B × 8PCS  |

# STEP 18



|   |          |
|---|----------|
|  | 0 × 2PCS |
|---|----------|

# STEP 19



# STEP 20

**J1**

**A1**

**J6**

**J5**

**C**

**N**

**1**

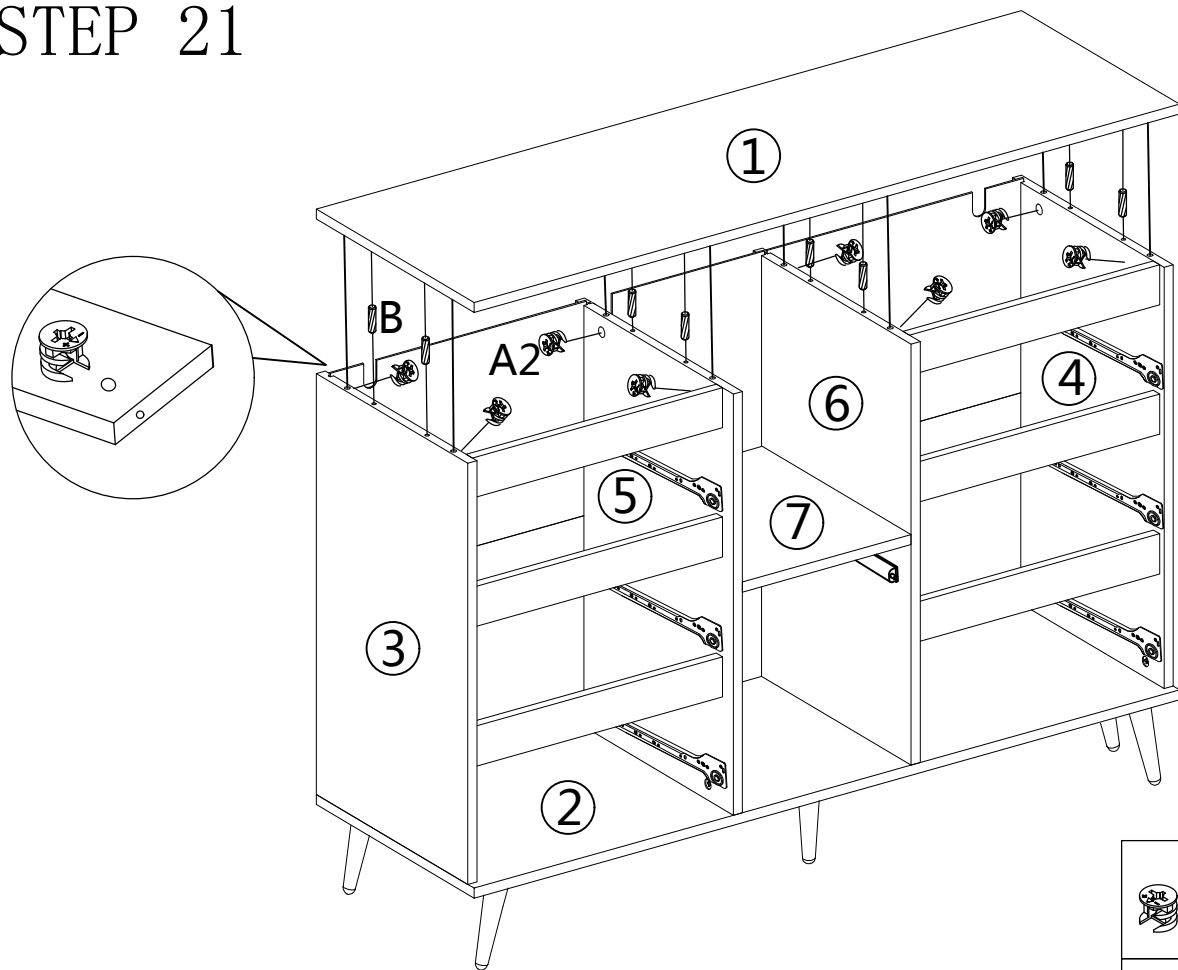
**A1**



**C**

**N**

|  |          |  |           |
|--|----------|--|-----------|
|  | J1 × 1PC |  | J5 × 2PCS |
|  | C × 2PCS |  | J6 × 2PCS |
|  | N × 2PCS |  | A1 × 8PCS |

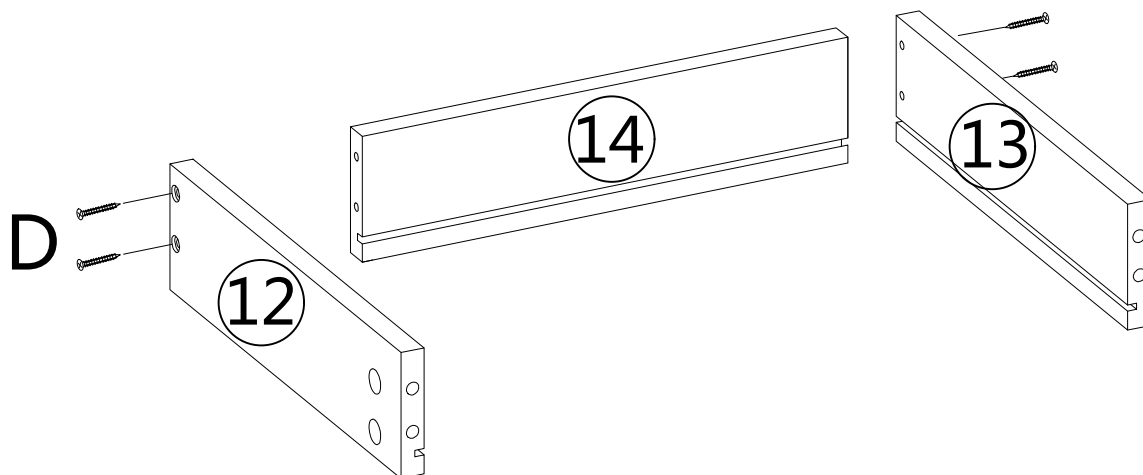
# STEP 21




|   |           |
|---|-----------|
|    | A2 × 8PCS |
|  | B × 8PCS  |

# STEP 22

X6

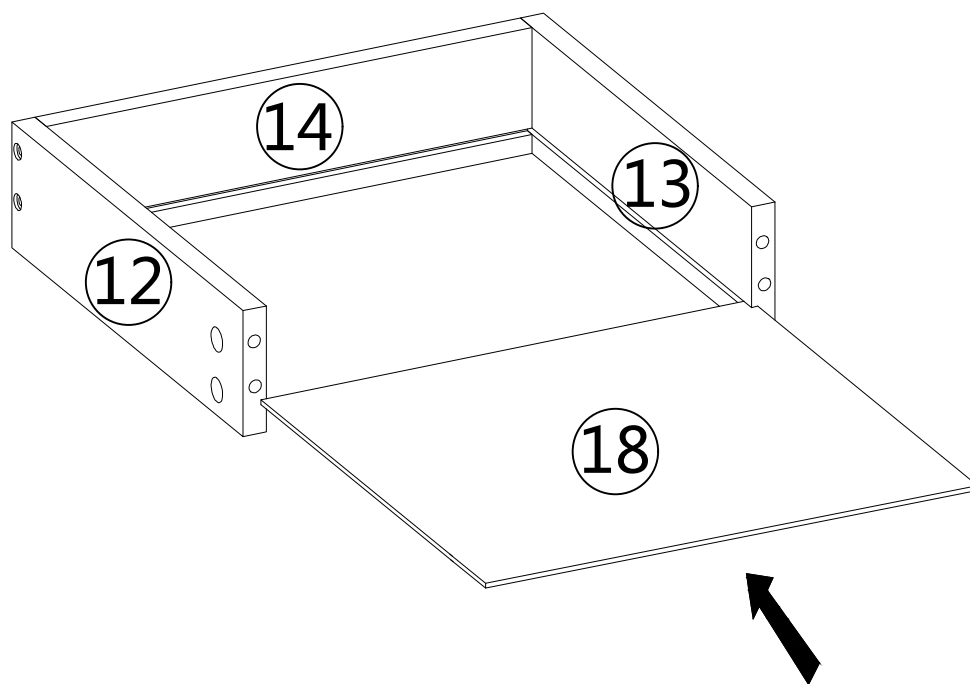


|   |          |
|---|----------|
|  | D × 4PCS |
|---|----------|



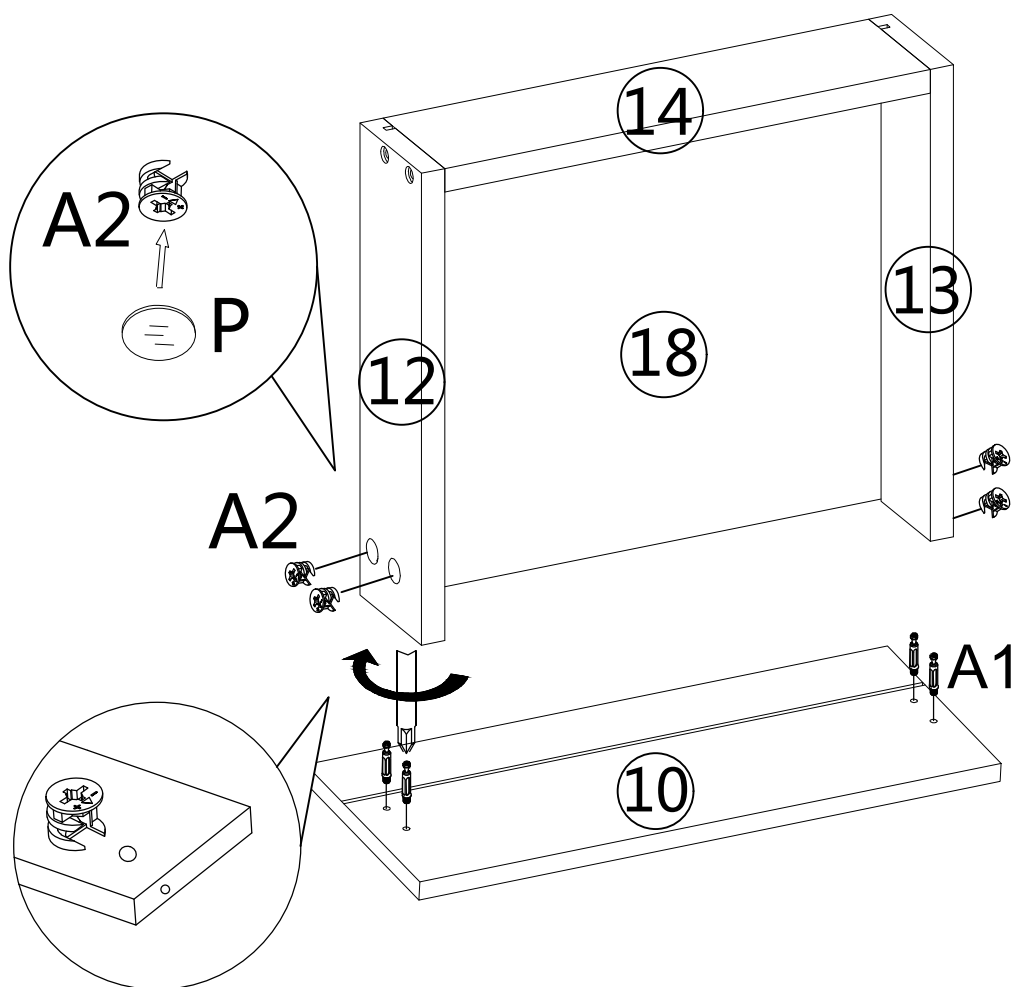
# STEP 23




# X6



# STEP 24

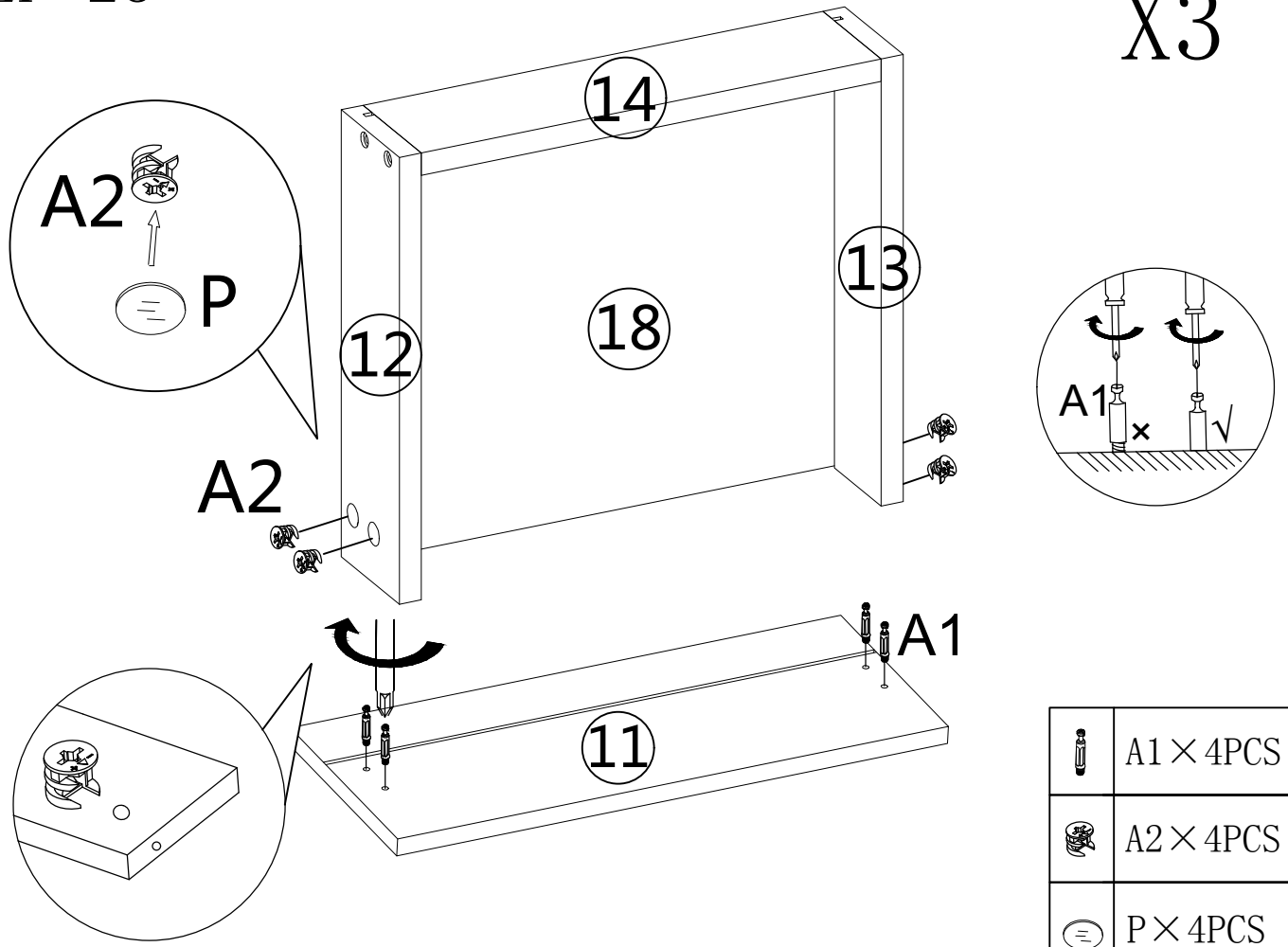
# X3






|   |           |
|---|-----------|
|  | A1 × 4PCS |
|  | A2 × 4PCS |
|  | P × 4PCS  |

# STEP 25

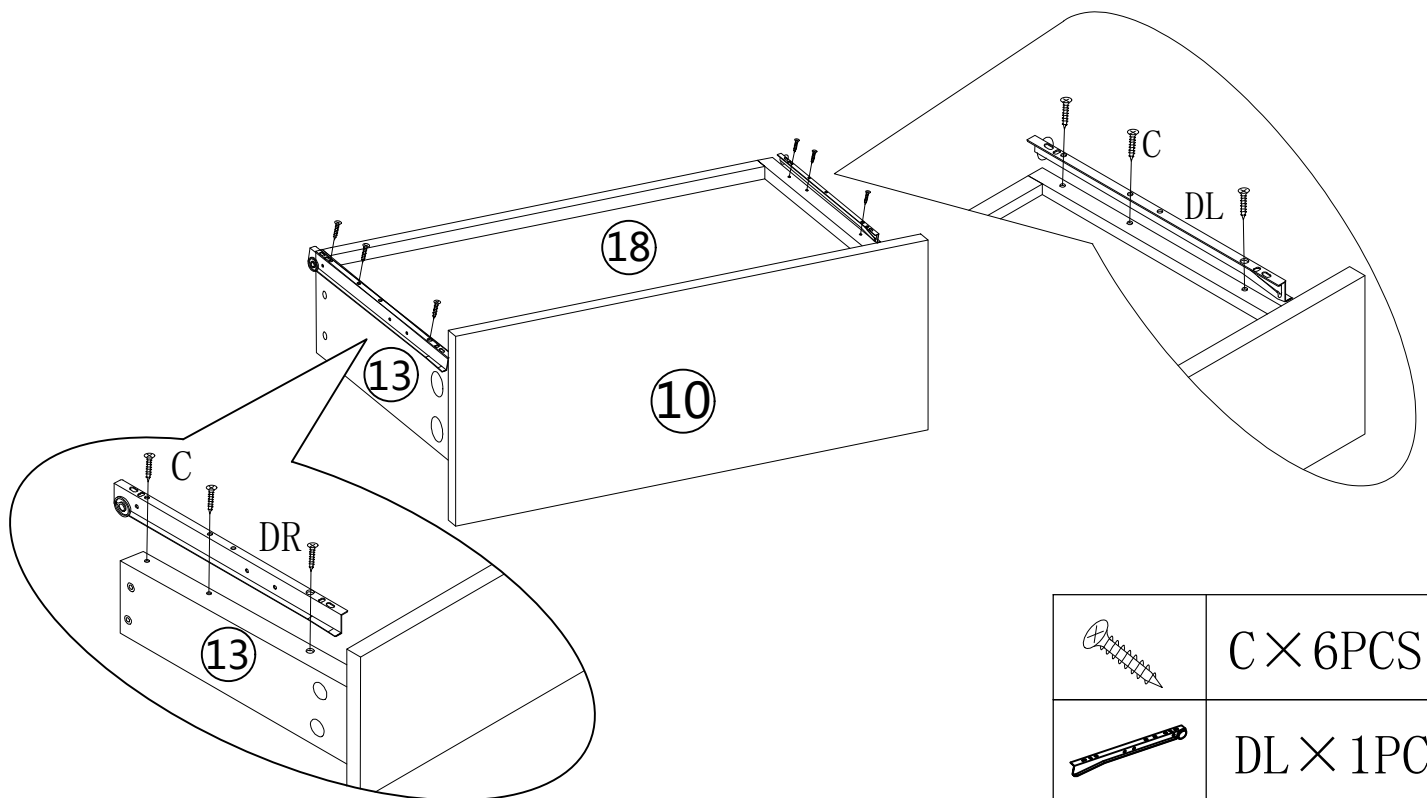
# X3

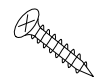




|   |           |
|---|-----------|
|    | A1 × 4PCS |
|   | A2 × 4PCS |
|  | P × 4PCS  |

# STEP 26

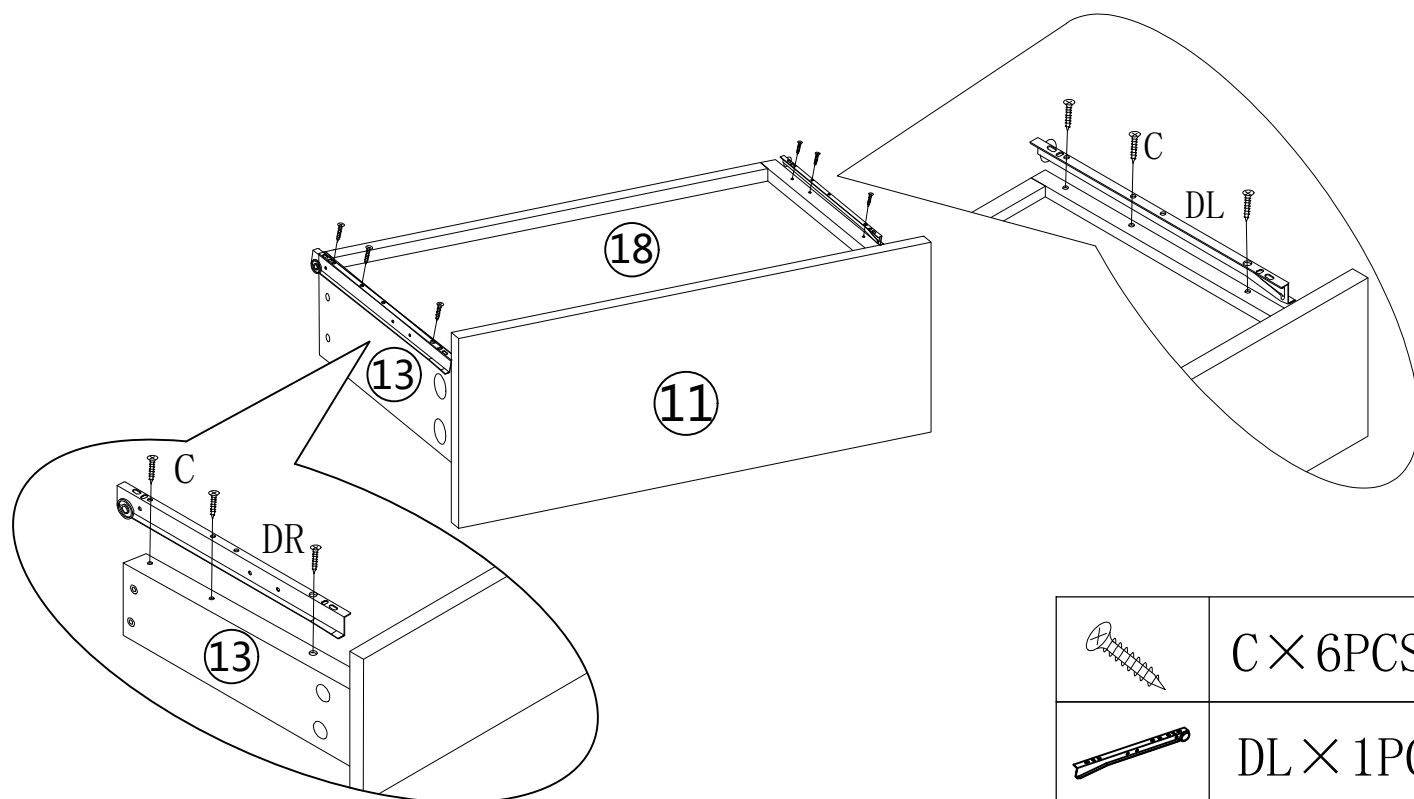
# X3

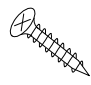




|   |          |
|---|----------|
|  | C × 6PCS |
|  | DL × 1PC |
|  | DR × 1PC |

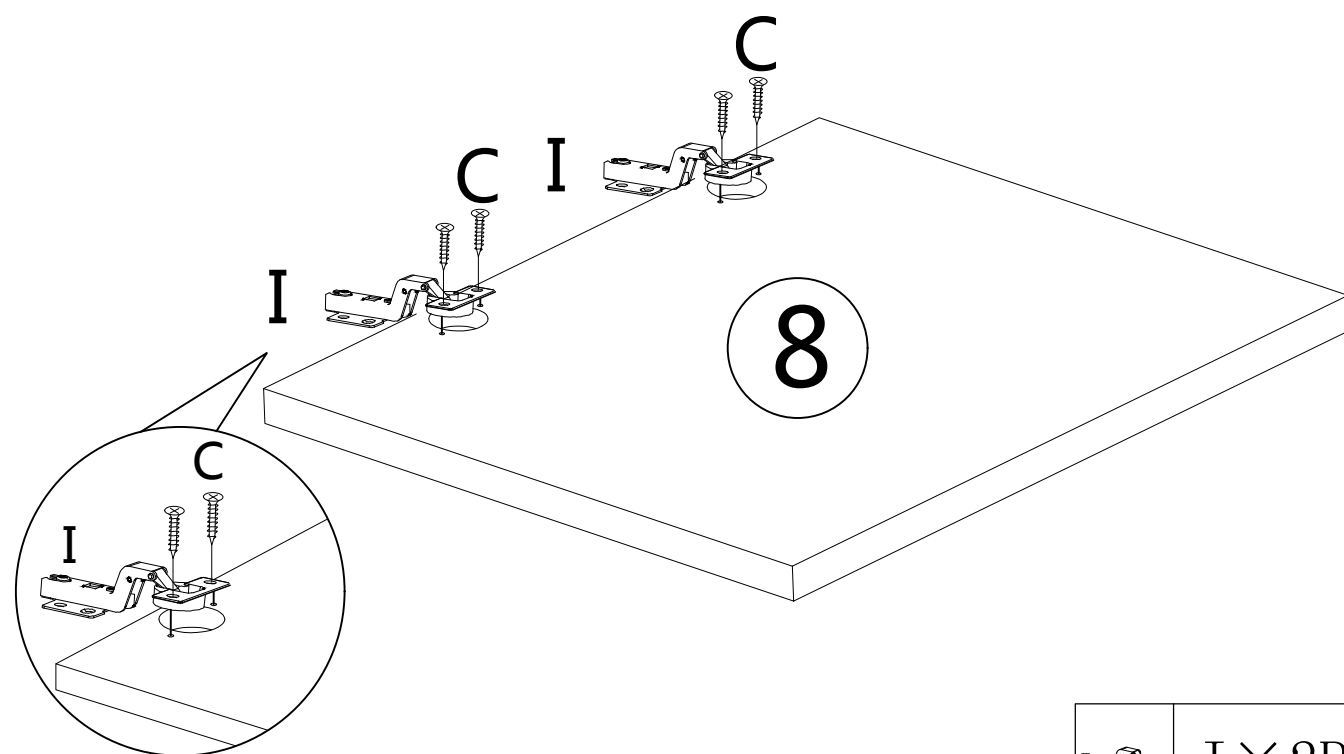
# STEP 27


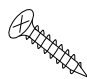
# X3



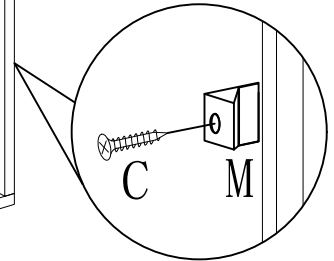
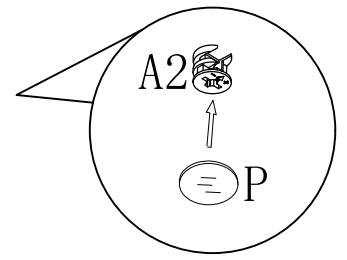
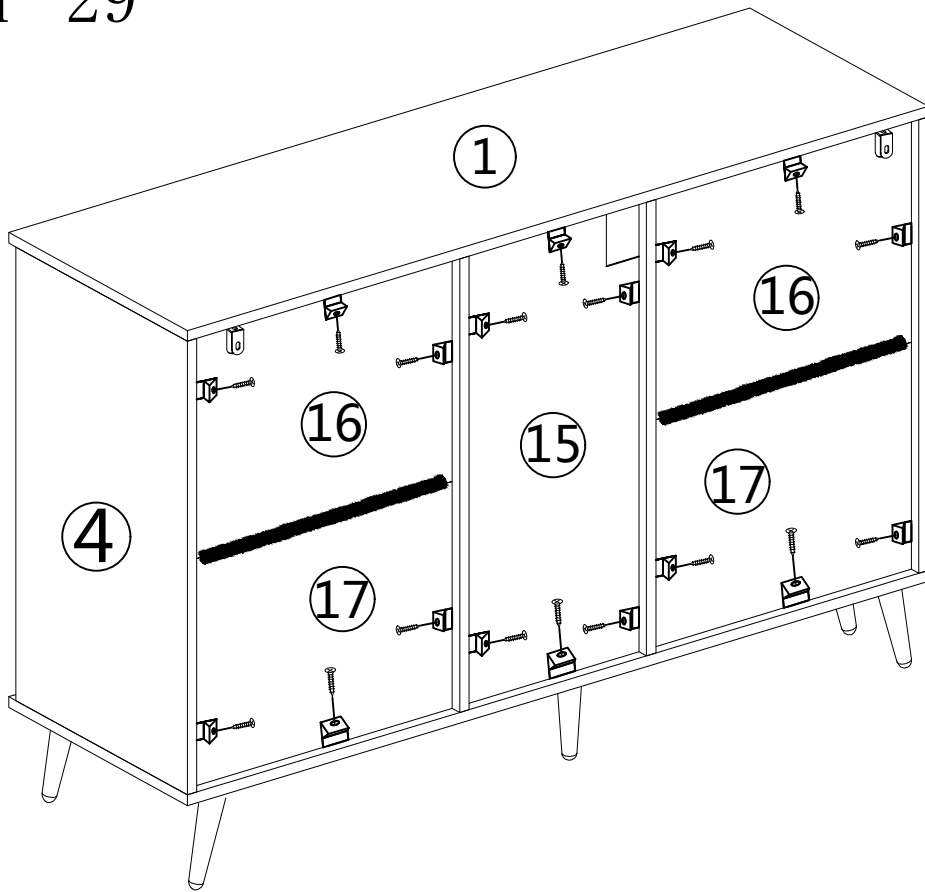
|   |          |
|---|----------|
|    | C × 6PCS |
|    | DL × 1PC |
|  | DR × 1PC |




# STEP 28



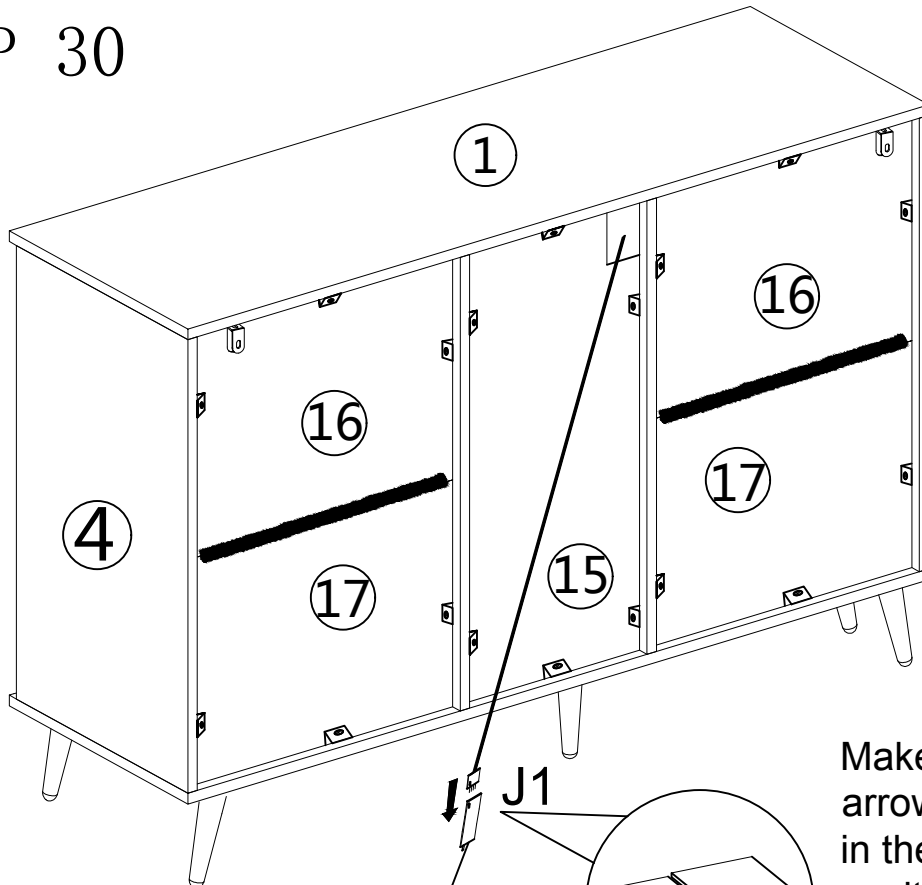
|   |          |
|---|----------|
|  | I × 2PCS |
|  | C × 4PCS |

# STEP 29



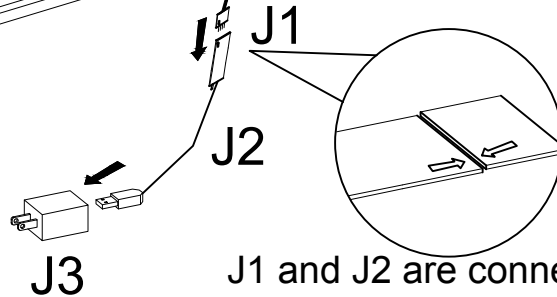
|   |           |
|---|-----------|
|    | C × 18PCS |
|    | M × 18PCS |
|  | P × 32PCS |

# STEP 30


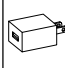
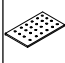


Last: lug the J3 into the power supply !  
J4 can be adjusted !

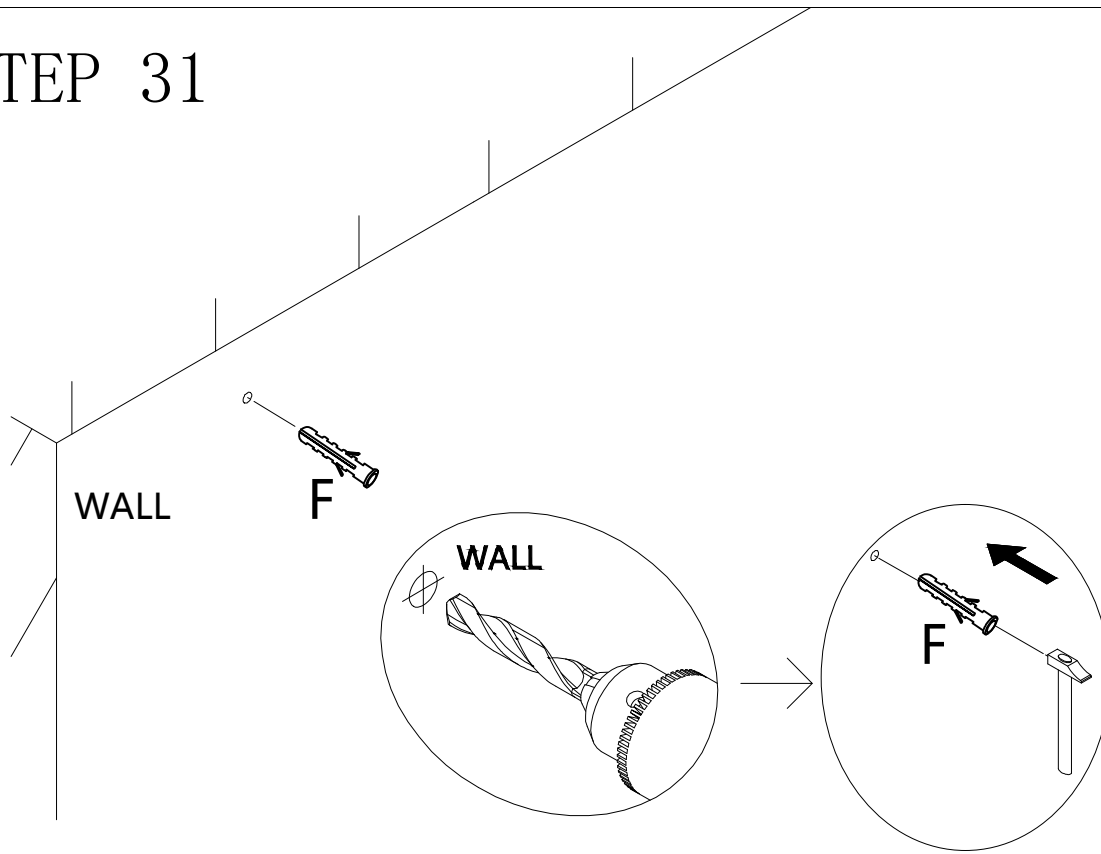
Make sure the arrows are in the same position !




J1 and J2 are connected;  
J2 and J3 are connected;

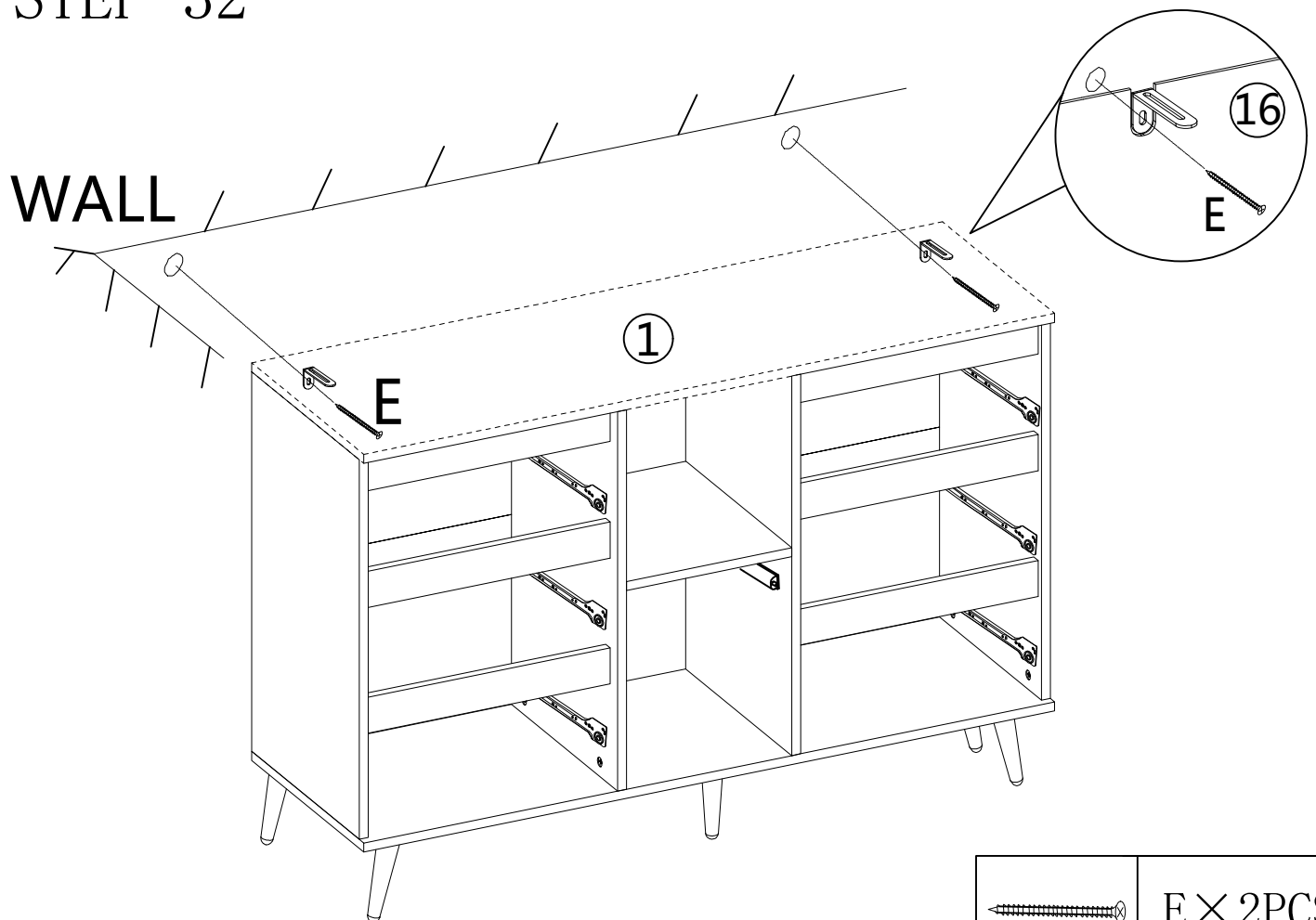
|   |          |
|---|----------|
|  | J2 × 1PC |
|  | J3 × 1PC |
|  | J4 × 1PC |


# STEP 31



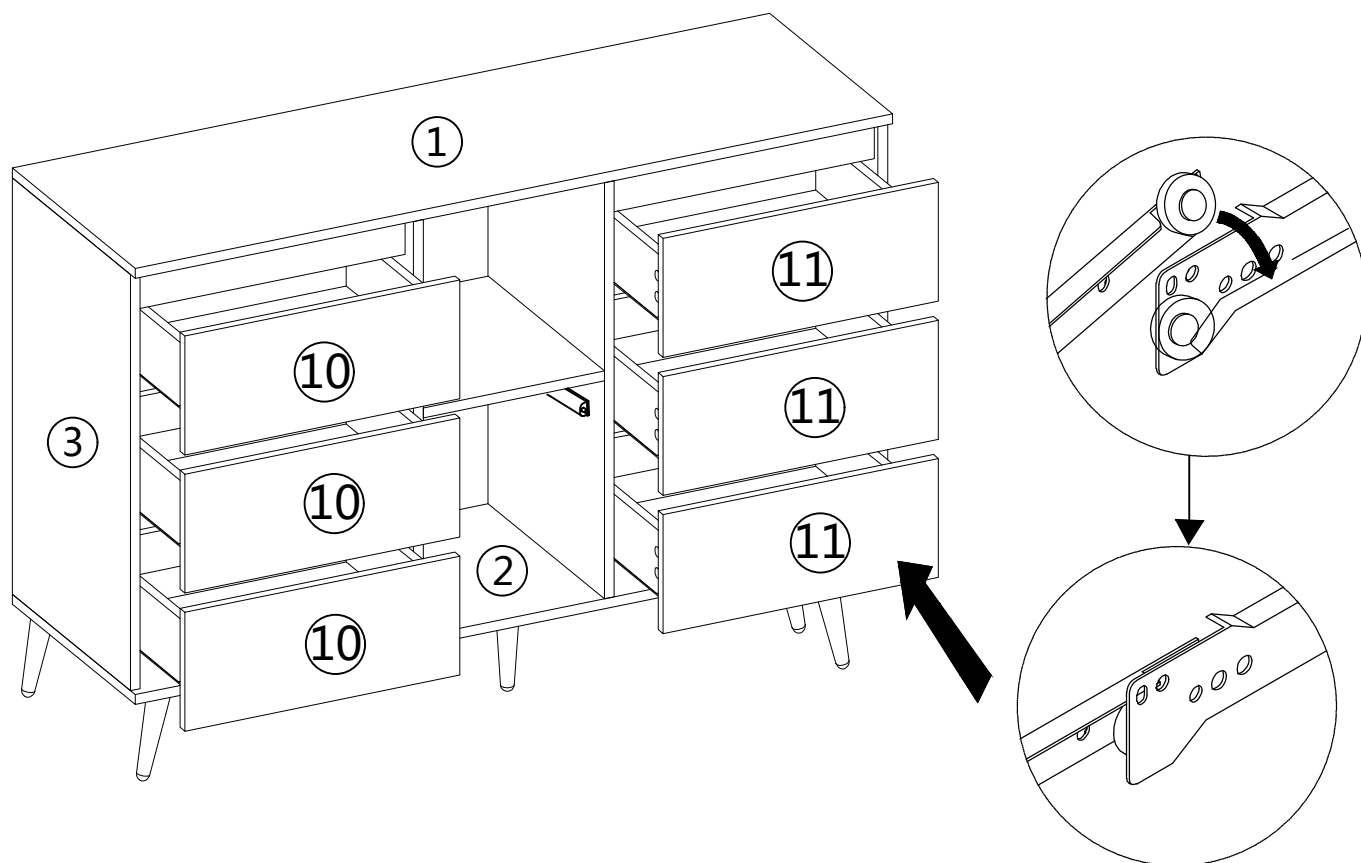
|   |          |
|---|----------|
|  | F × 2PCS |
|---|----------|

# STEP 32

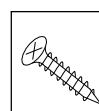
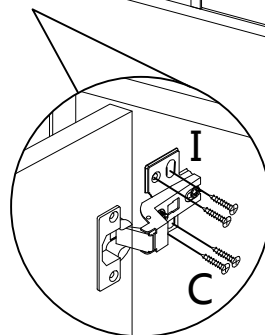
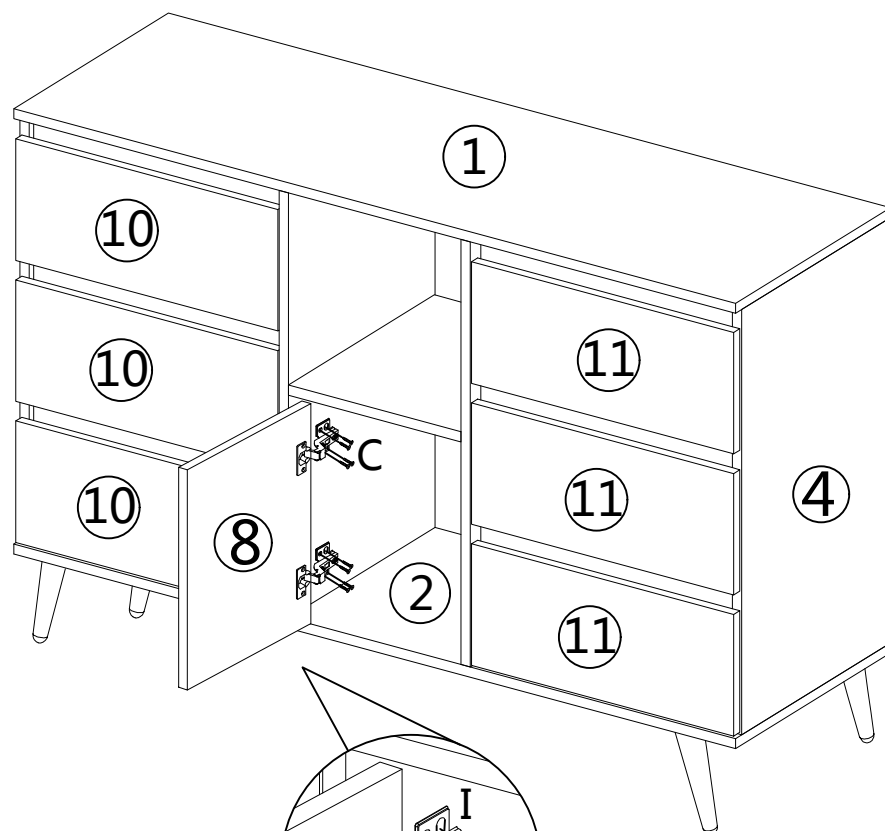
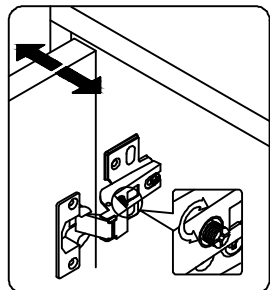
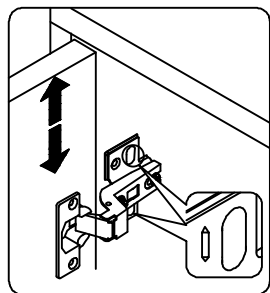
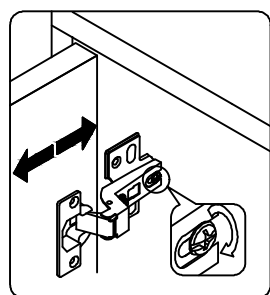


|   |          |
|---|----------|
|  | E × 2PCS |
|---|----------|

# STEP 33



# STEP 34

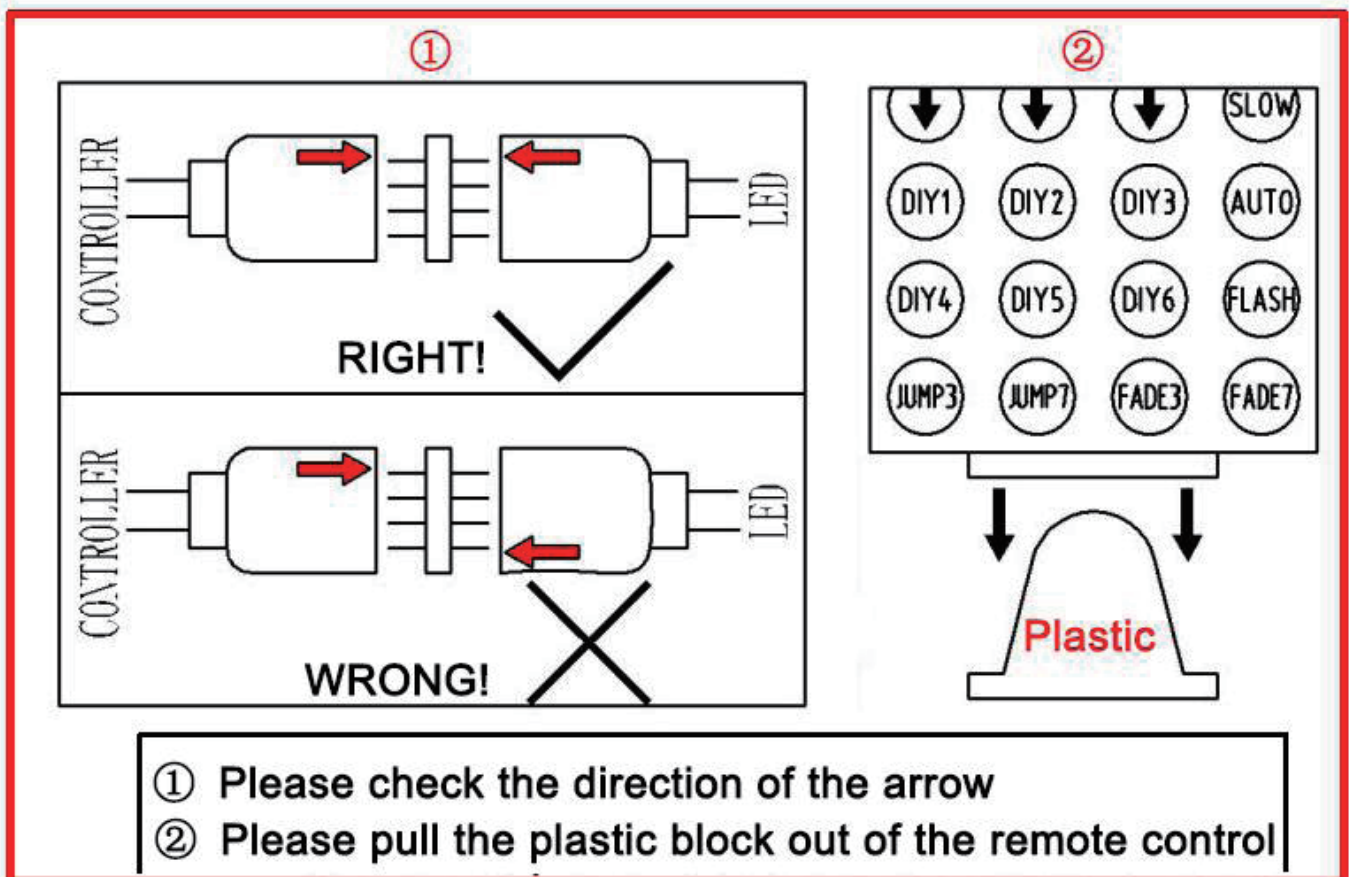


C × 8PCS

# LED Light

If you can't let the lights work successfully, please check the following:

1. Please check the direction of the connect, try it in the opposite direction, according to the following picture.
2. Please check the remote control, it need you to tear down the plastic septum before use it.
3. Don't let the remote control too far from the receiver, make sure there is no obstruction between them.



END

