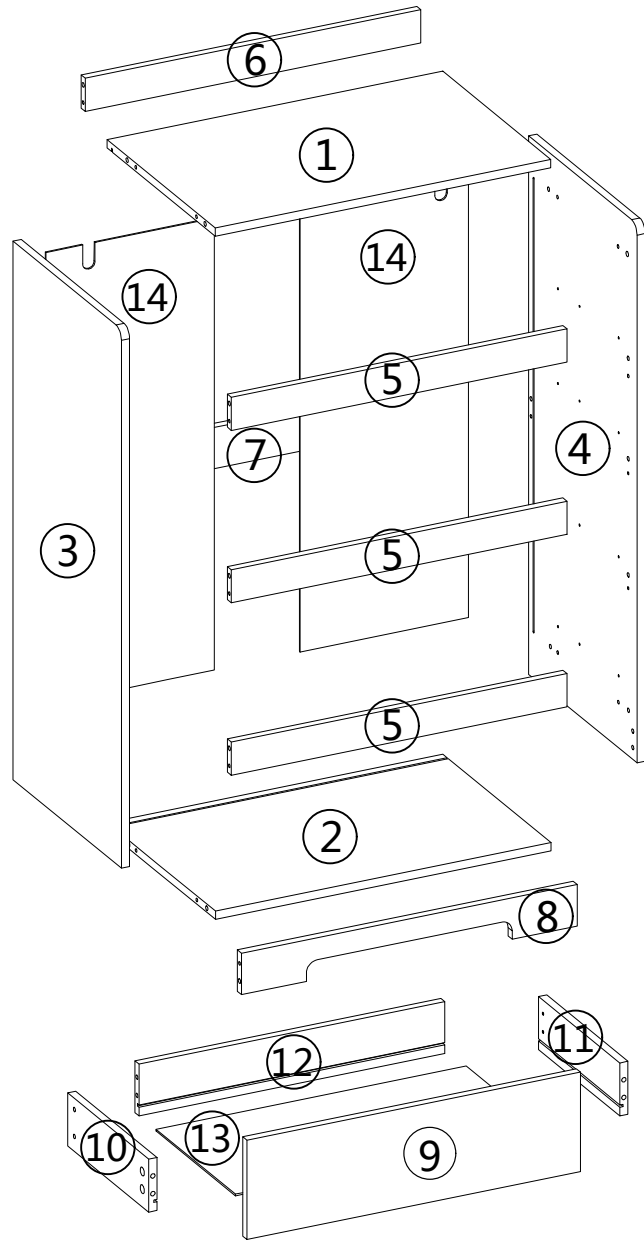
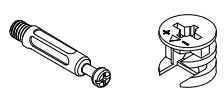
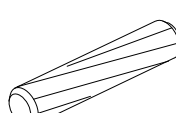
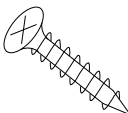

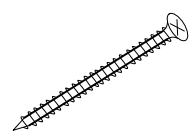

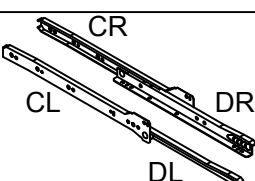

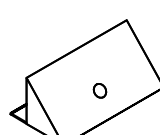
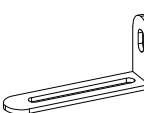




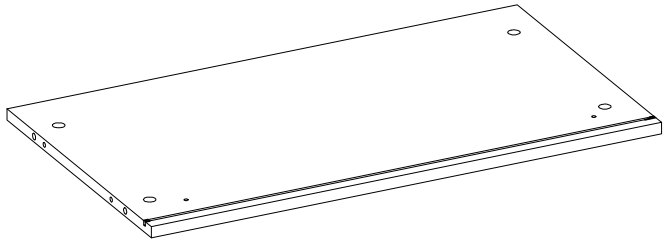
DS-SB002W



X4

| | | | |
|---|--|---|---|
| <p>A</p>  <p>A1 A2 36PCS</p> | <p>B</p>  <p>$\phi 8 \times 30 \text{mm}$ 20PCS</p> | <p>C</p>  <p>M3.5*14mm 58PCS</p> | <p>D</p>  <p>M3.5*35mm 16PCS</p> |
| <p>E</p>  <p>M3.5*40mm 2PCS</p> | <p>F</p>  <p>M8*40mm 2PCS</p> | <p>G</p>  <p>L=300mm 4PCS</p> | <p>H</p>  <p>6PCS</p> |
| <p>I</p>  <p>8PCS</p> | <p>J</p>  <p>65X32X15mm 2PCS</p> | <p>K</p>  <p>L=809mm 1PC</p> | <p>L</p>  <p>$\phi 21 \text{mm}$ 36PCS</p> |

1

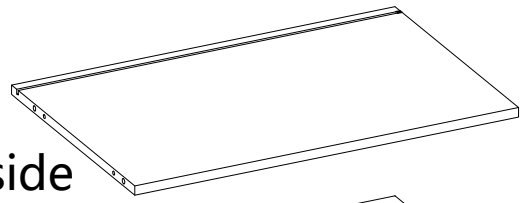


620*399*15mm

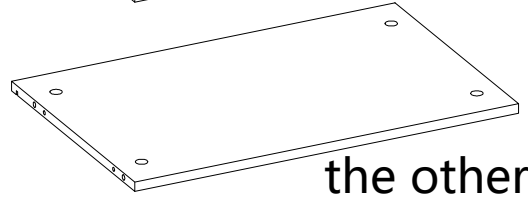
1 PC

2

one side



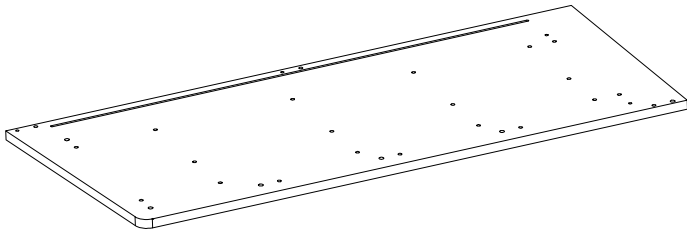
the other side



620*399*15mm

1 PC

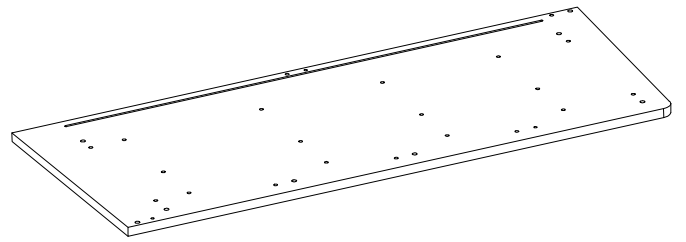
3



975*400*15mm

1 PC

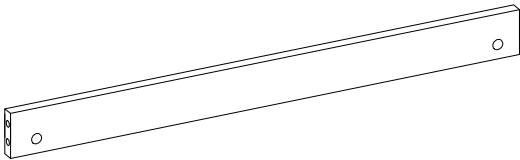
4



975*400*15mm

1 PC

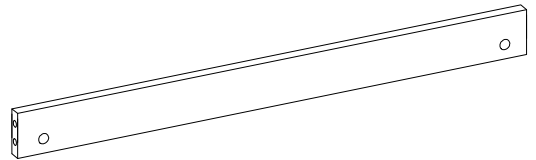
5



620*60*15mm

3 PCS

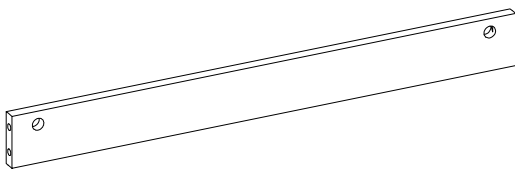
6



620*60*15mm

1 PC

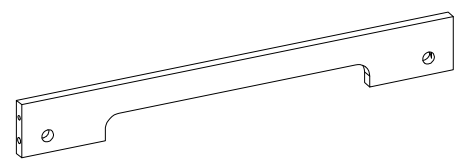
7



620*75*15mm

1 PC

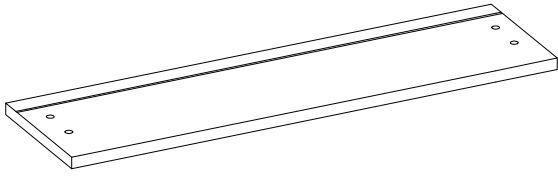
8



620*75*15mm

1 PC

9

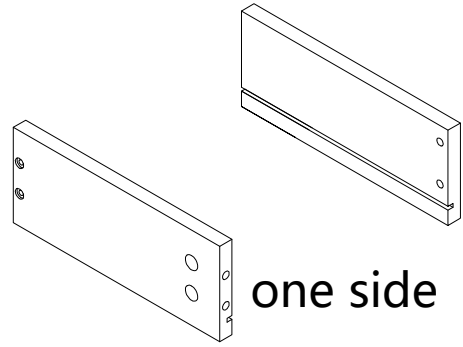


180*616*15mm

4 PCS

10

the other side

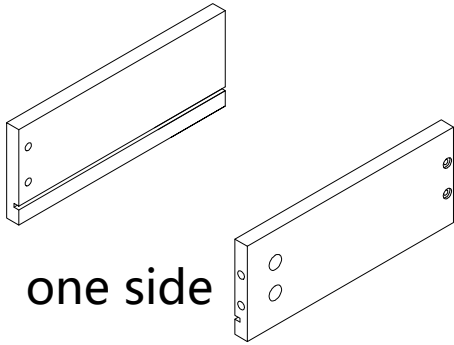


300*96*15mm

4 PCS

11

the other side

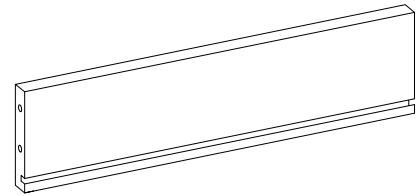


one side

300*96*15mm

4 PCS

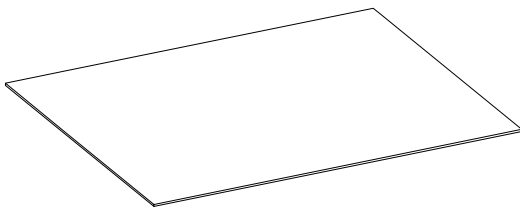
12



565*96*15mm

4 PCS

13



575*295*3mm

4 PCS

14



819*315*3mm

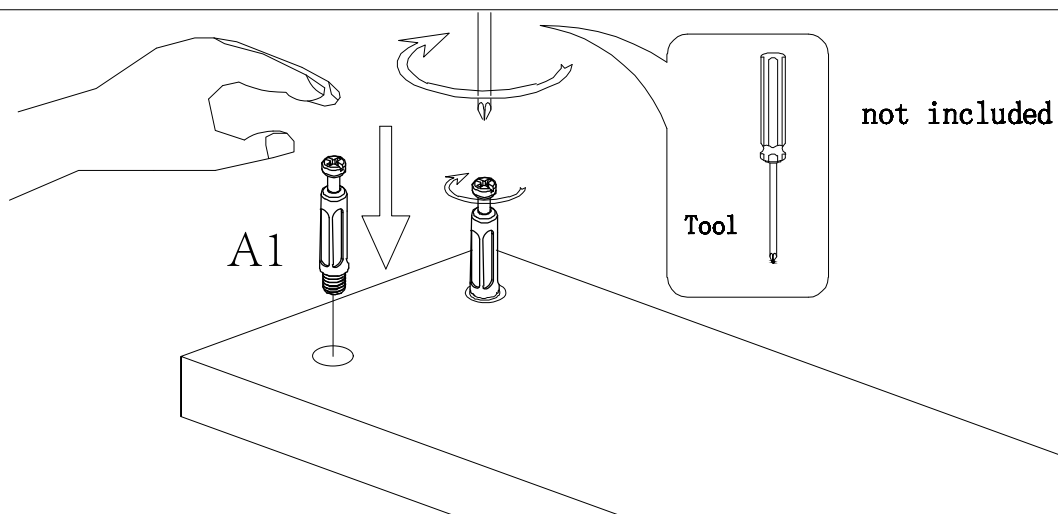
2 PCS

Hardware installation demonstration

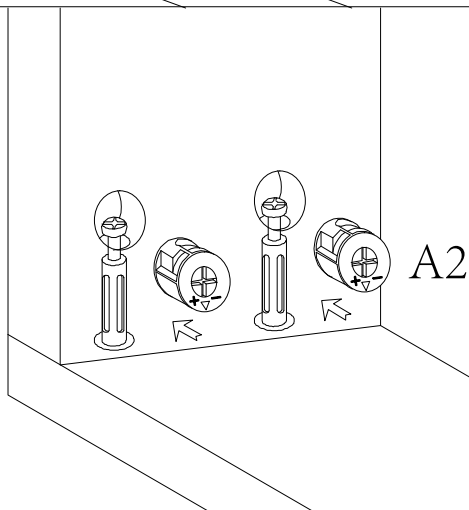


NOTE: Please make sure "A1" hardware tightened and can't be pulled out!

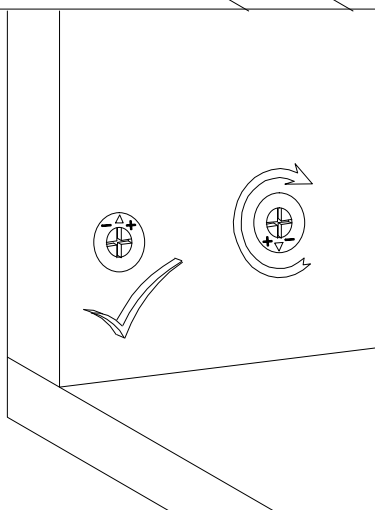
I



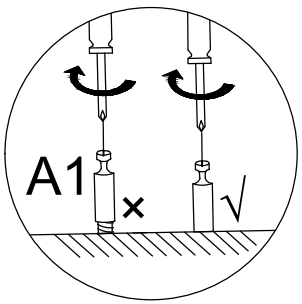
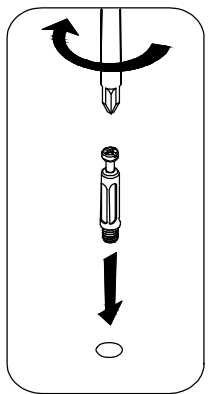
II



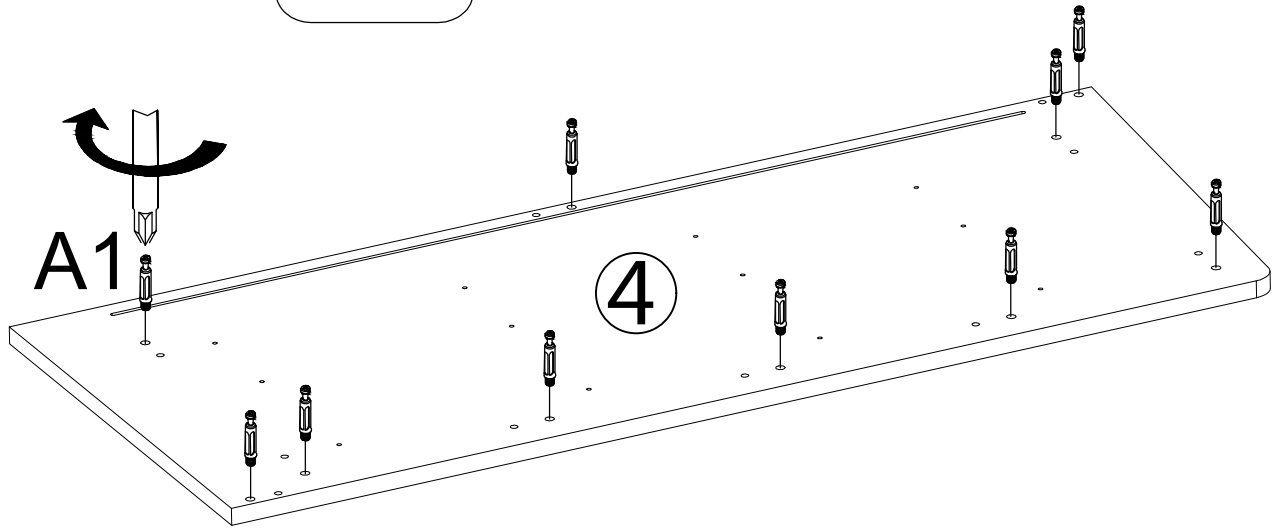
III



STEP 1

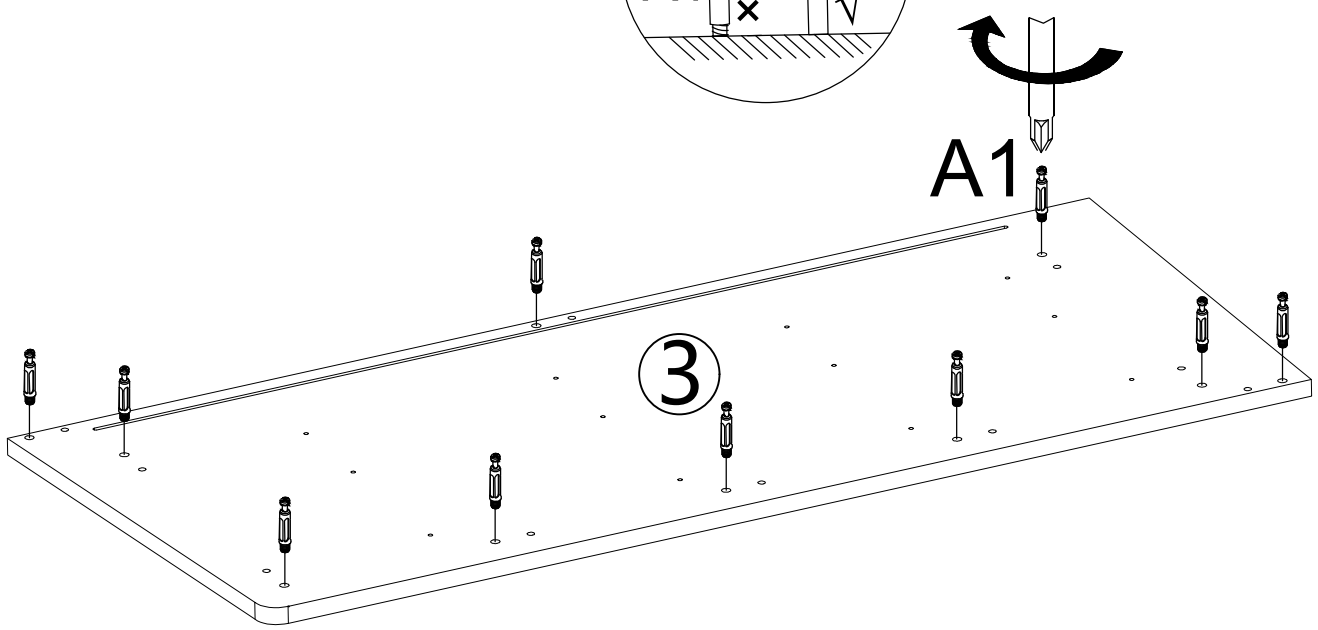
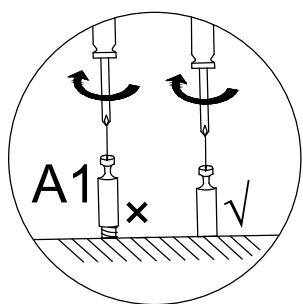



Tighten it , Same after



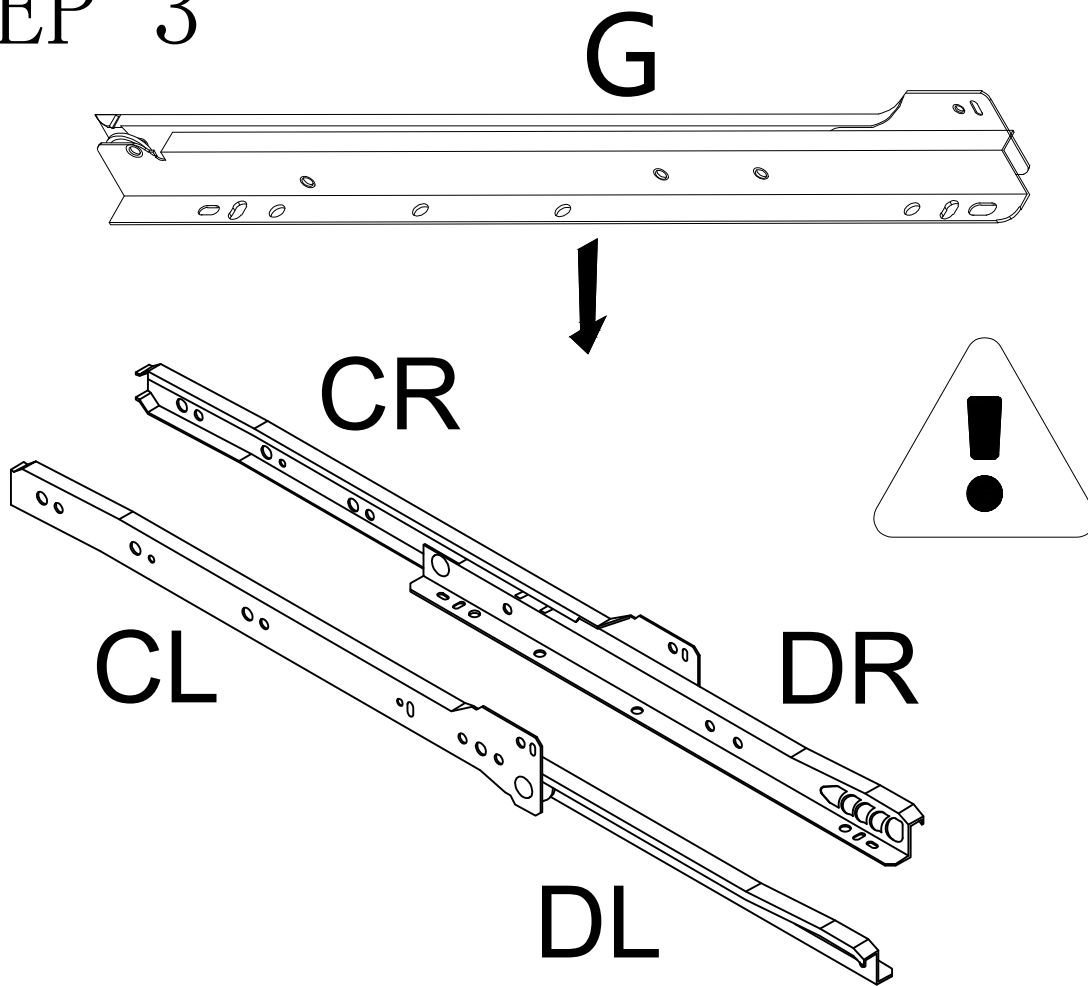
| | |
|--|------------|
|  | A1 × 10PCS |
|--|------------|

STEP 2

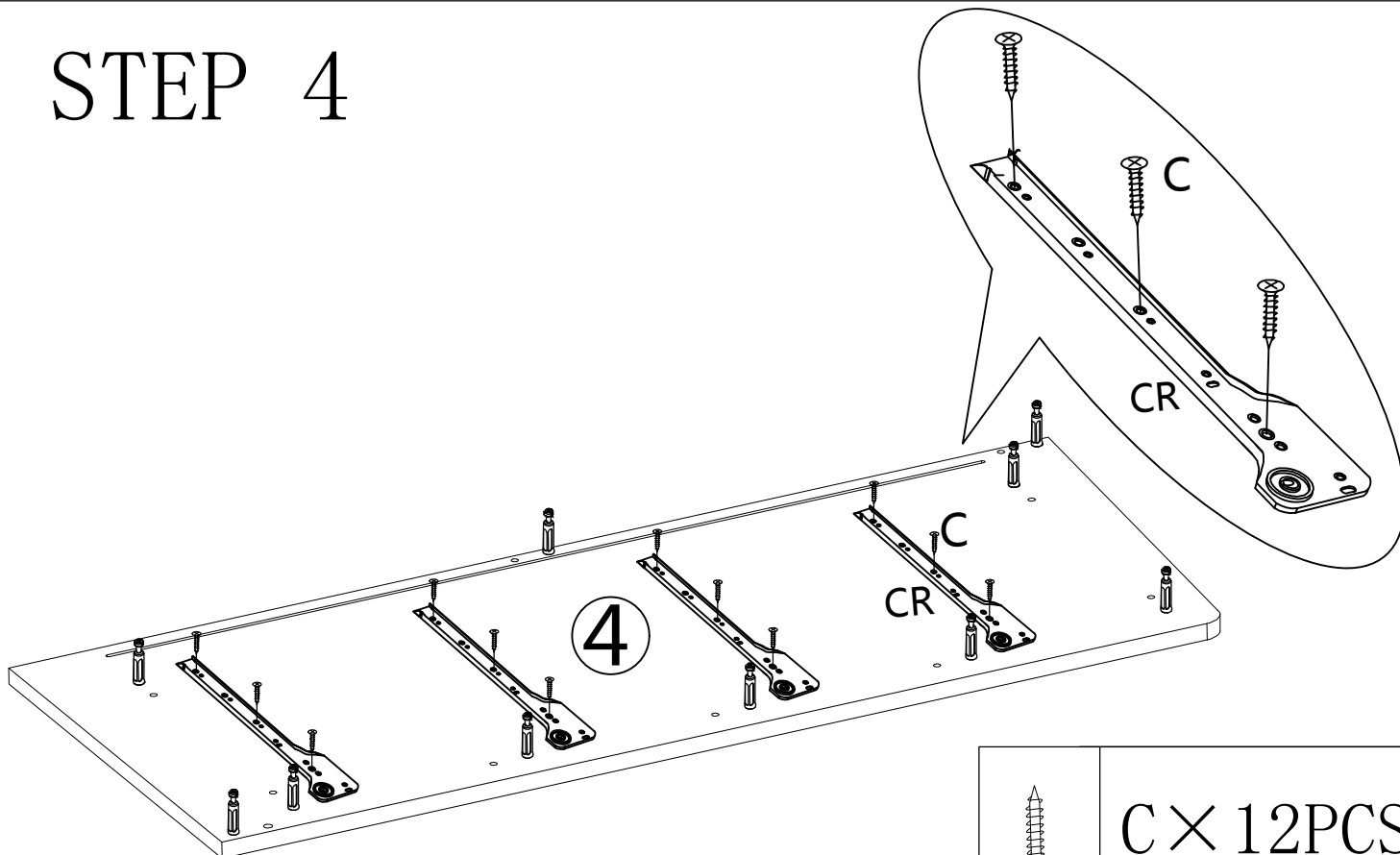




| | |
|---|------------|
|  | A1 × 10PCS |
|---|------------|

STEP 3

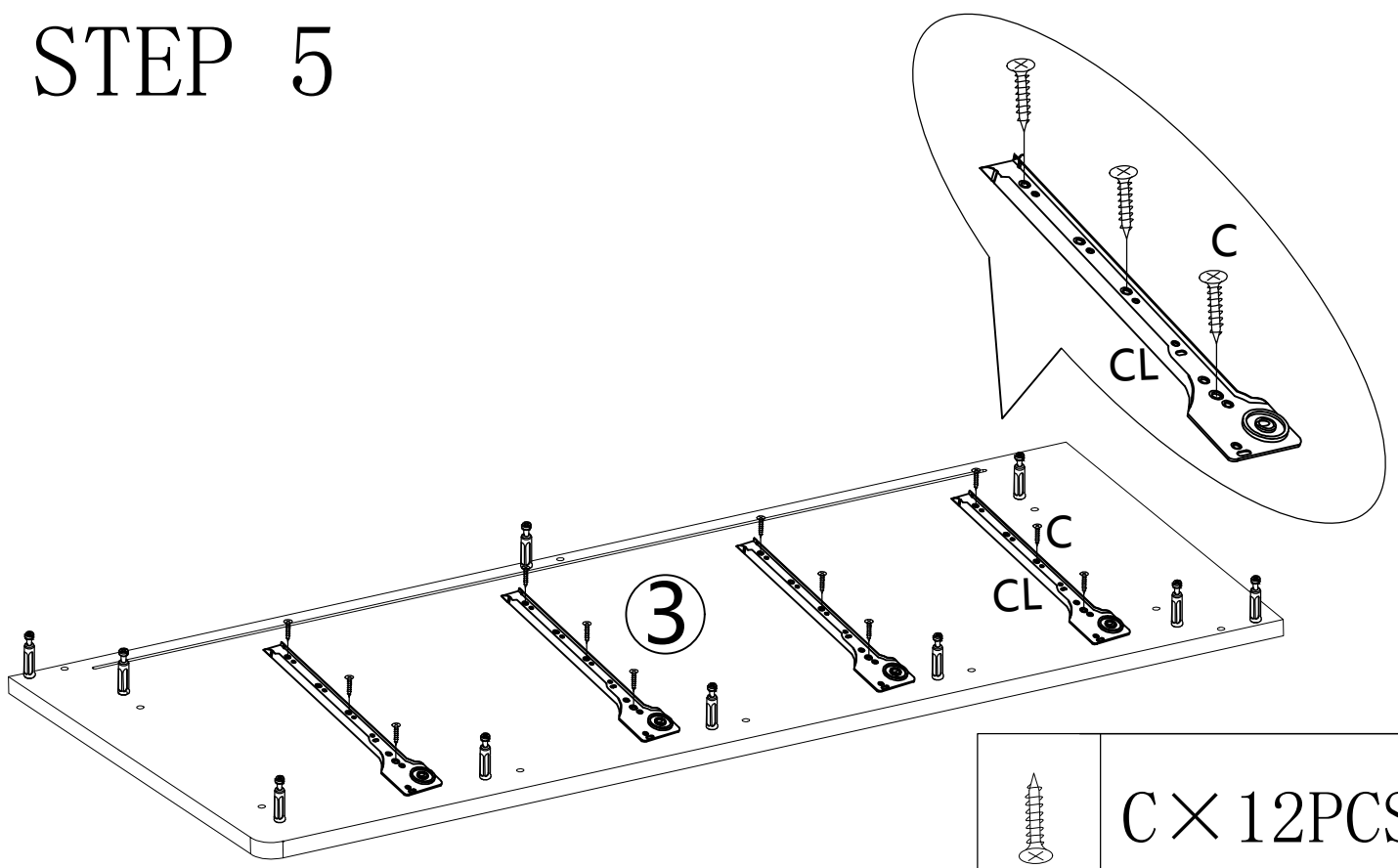




STEP 4



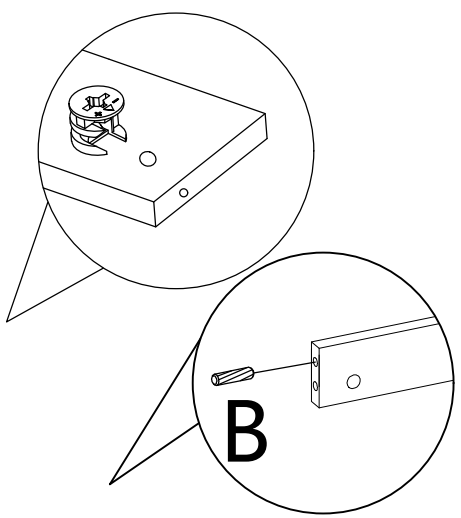
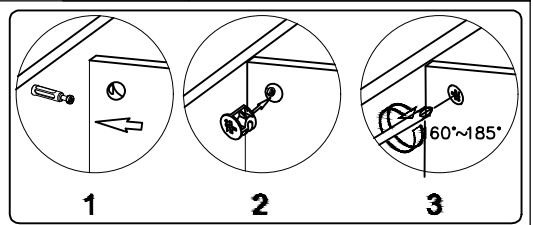
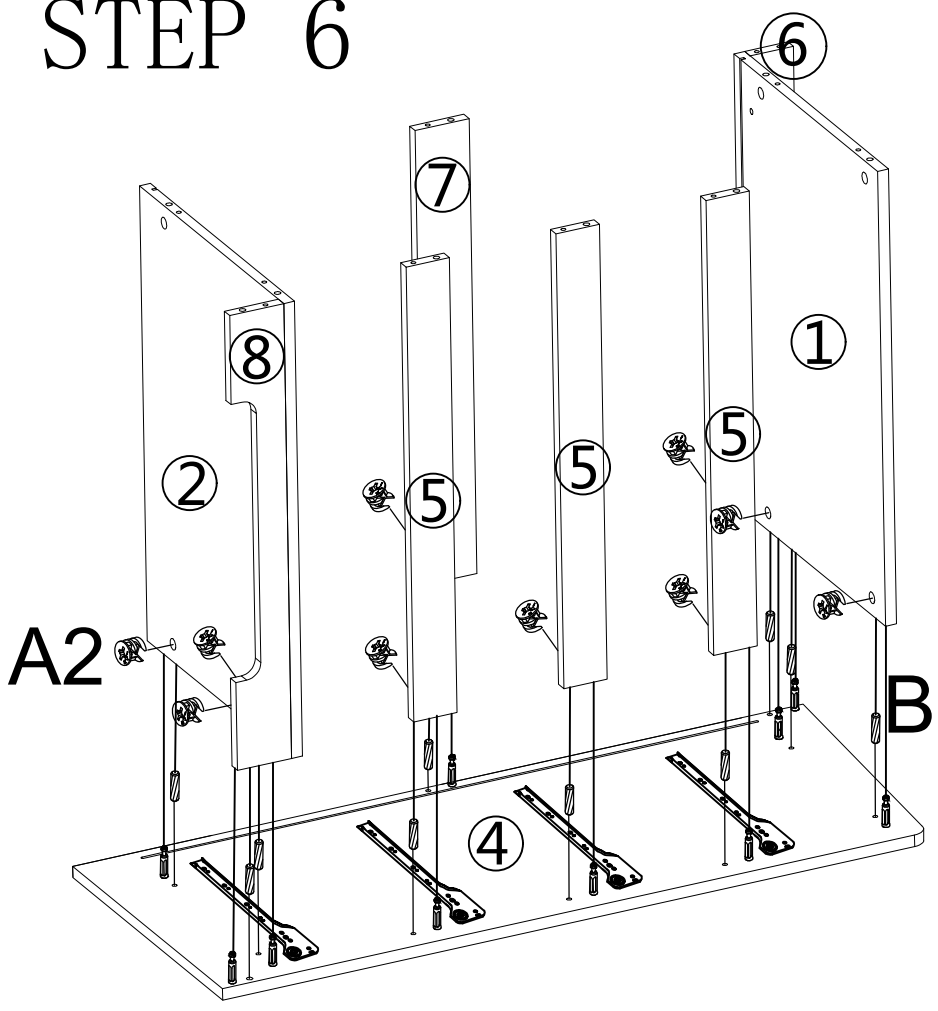
| | |
|---|-----------|
|  | C × 12PCS |
|  | CR × 4PCS |



STEP 5



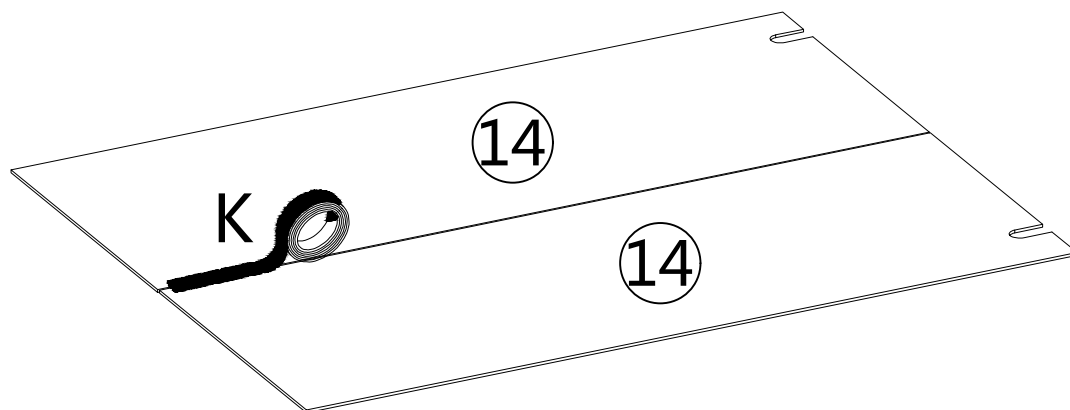
| | |
|--|-----------|
|  | C × 12PCS |
|  | CL × 4PCS |

STEP 6



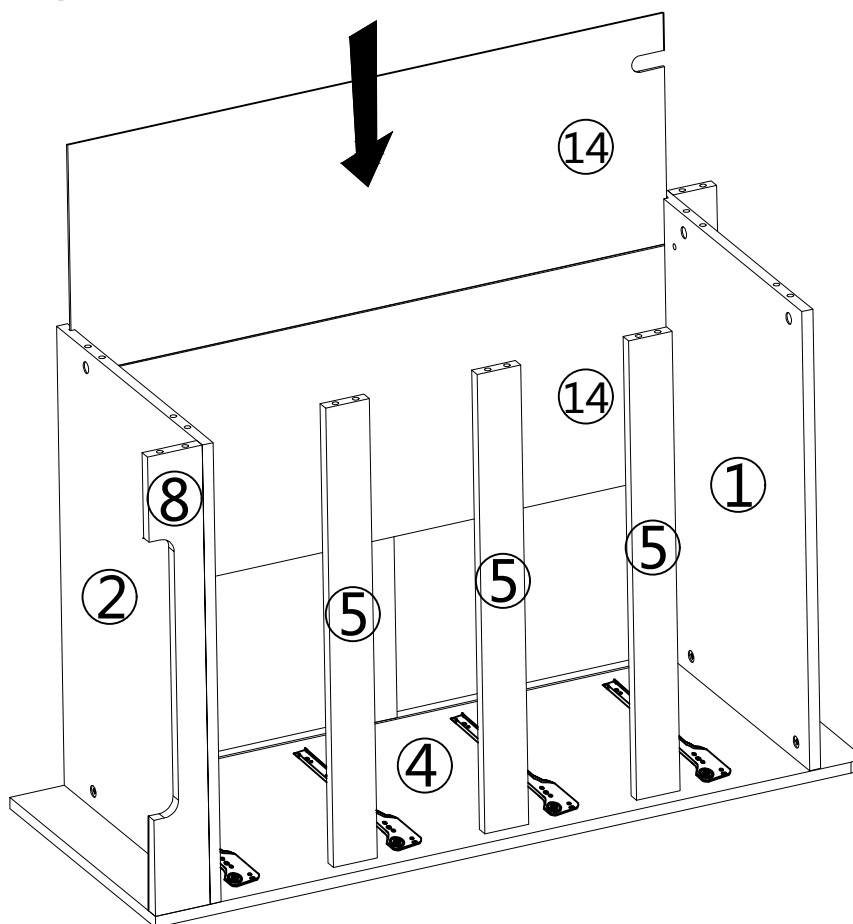
| | |
|---|------------|
|  | A2 × 10PCS |
|  | B × 10PCS |

STEP 7

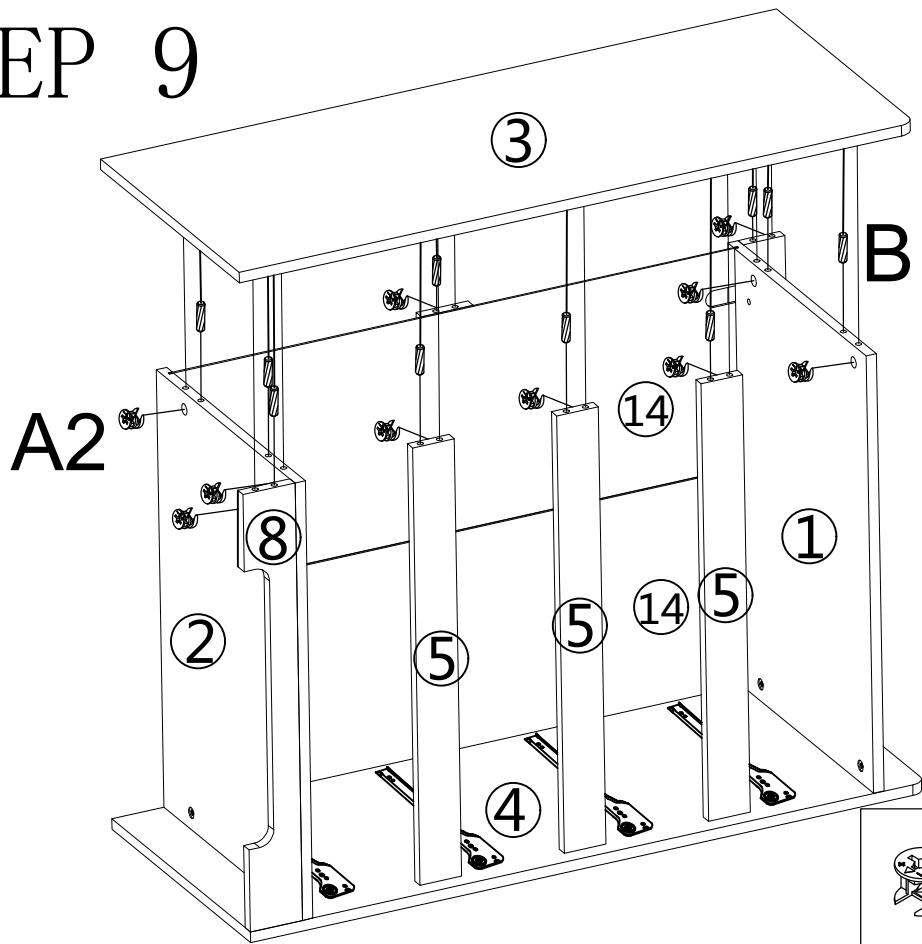




K × 1PC

STEP 8

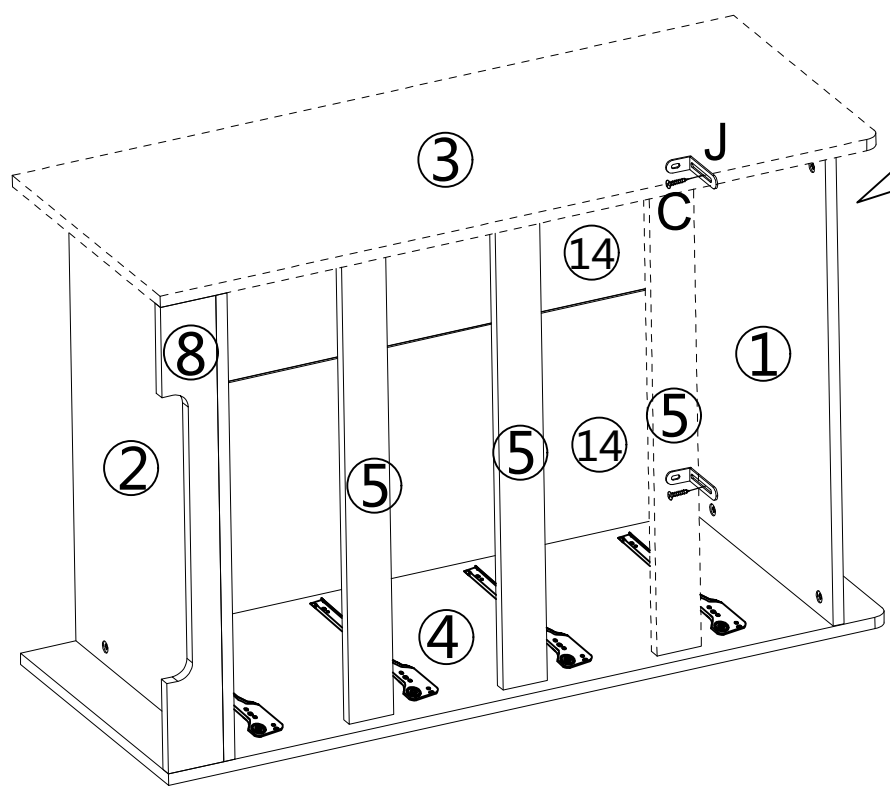




STEP 9



| | |
|--|------------|
|  | A2 × 10PCS |
|  | B × 10PCS |

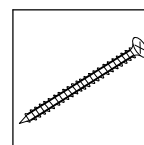
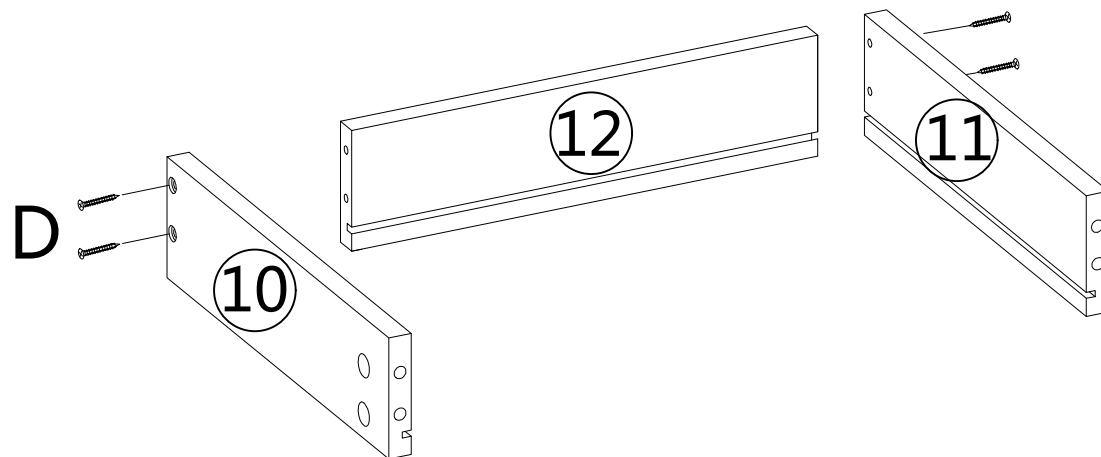
STEP 10



| | |
|---|----------|
|  | C × 2PCS |
|  | J × 2PCS |

STEP 11

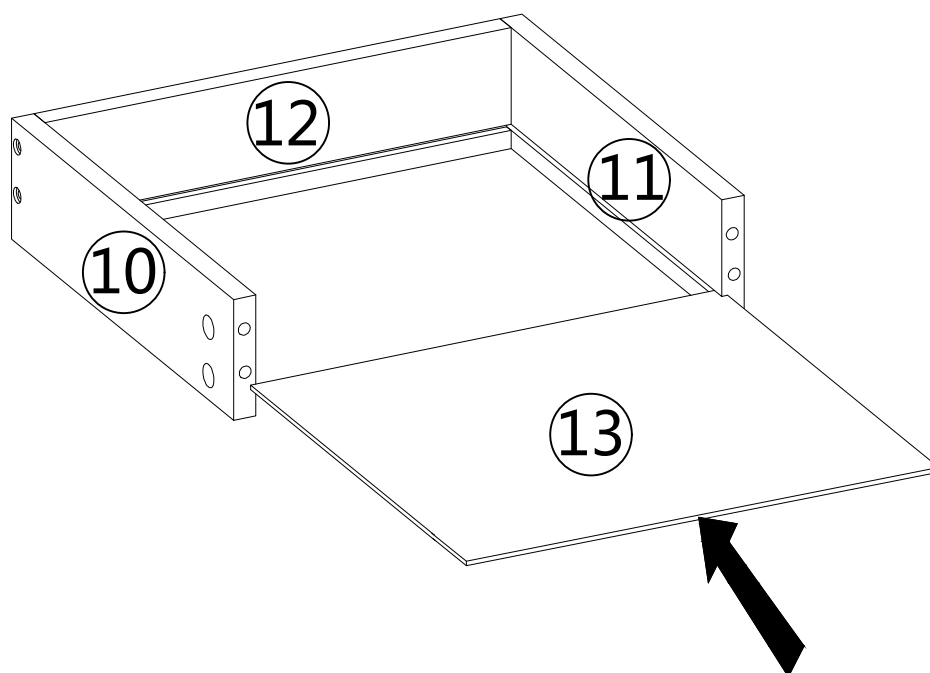
X4



D × 4PCS

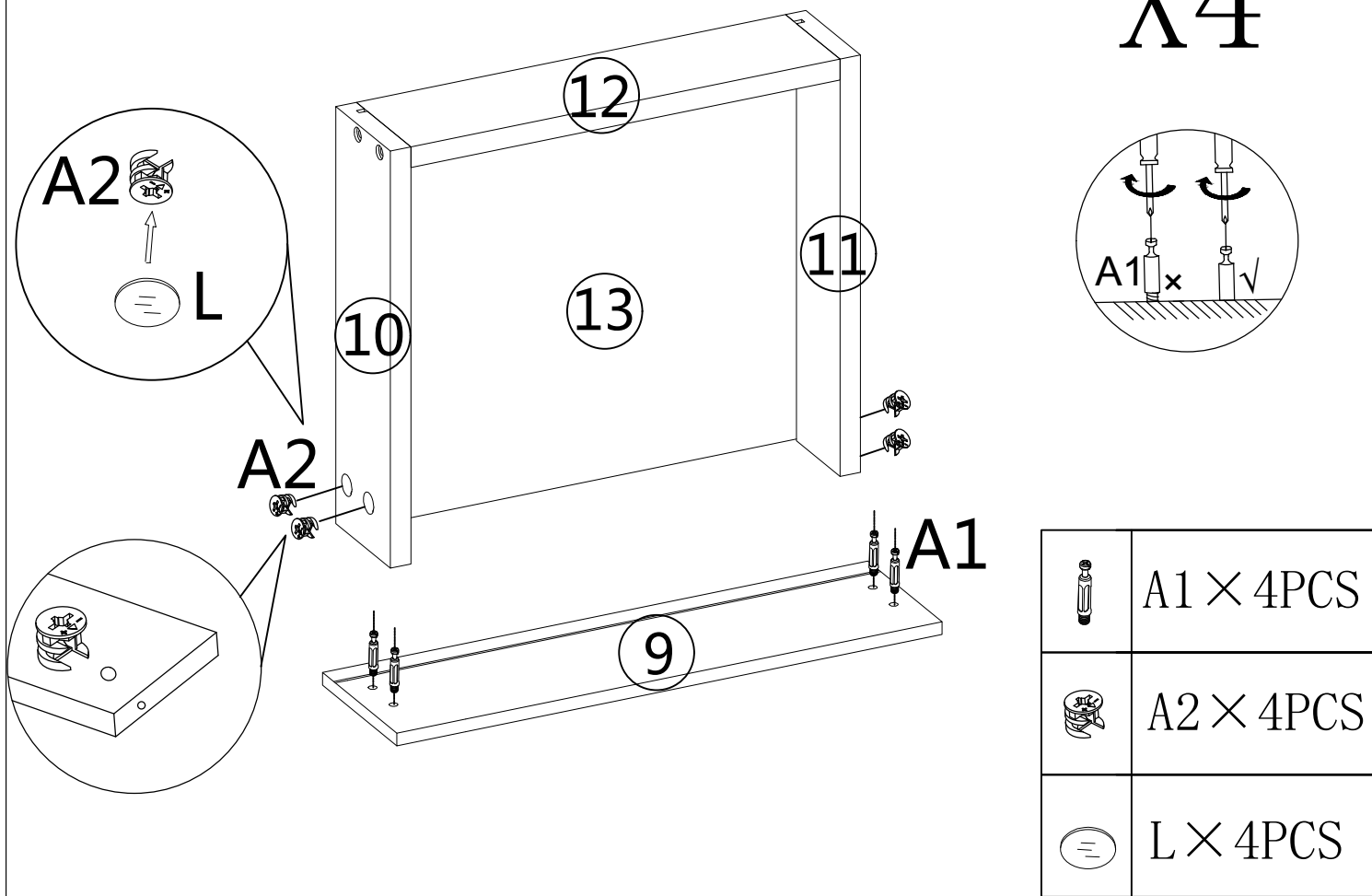
STEP 12




X4



STEP 13

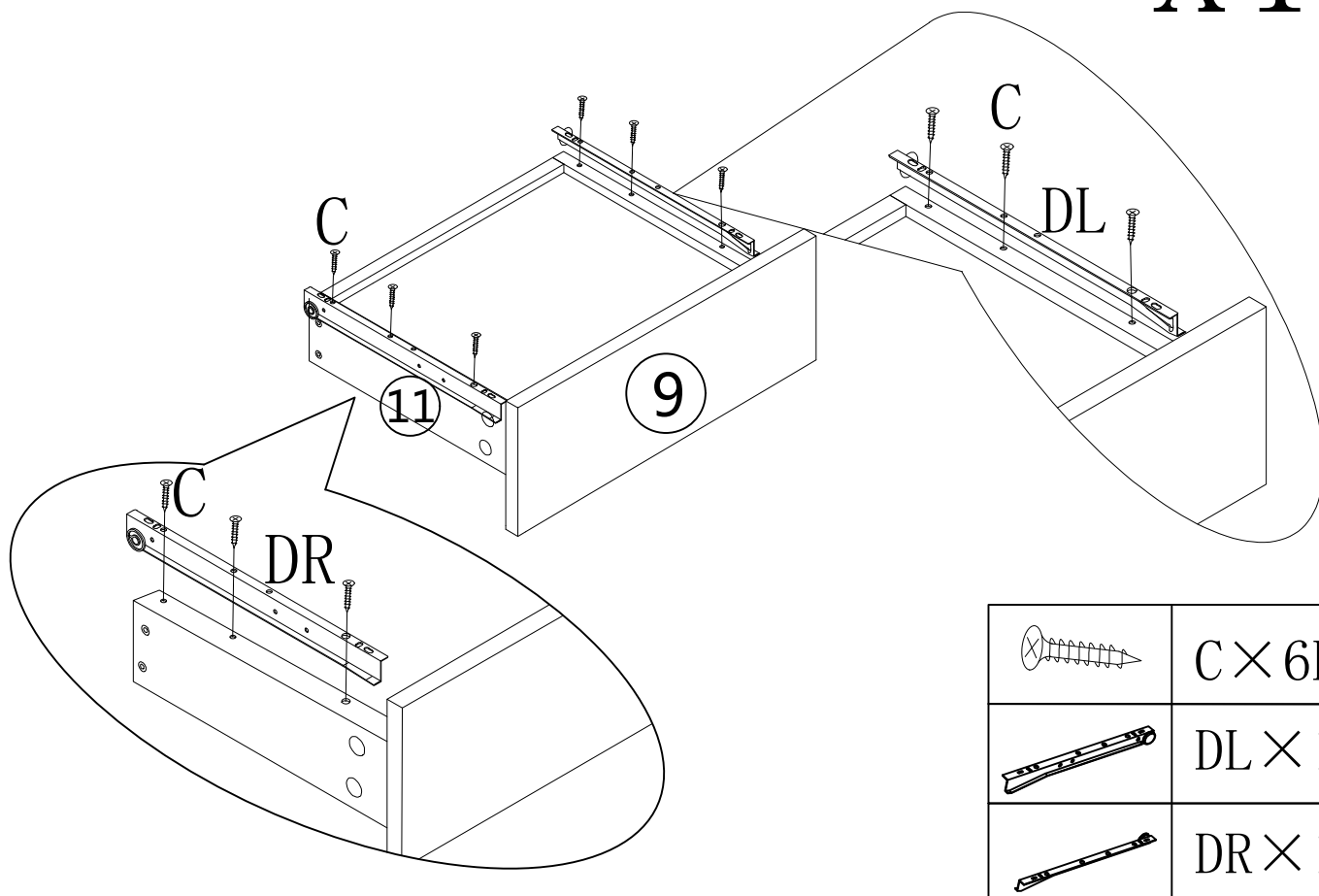
X4

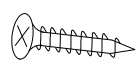




| | |
|---|-----------|
|  | A1 × 4PCS |
|  | A2 × 4PCS |
|  | L × 4PCS |

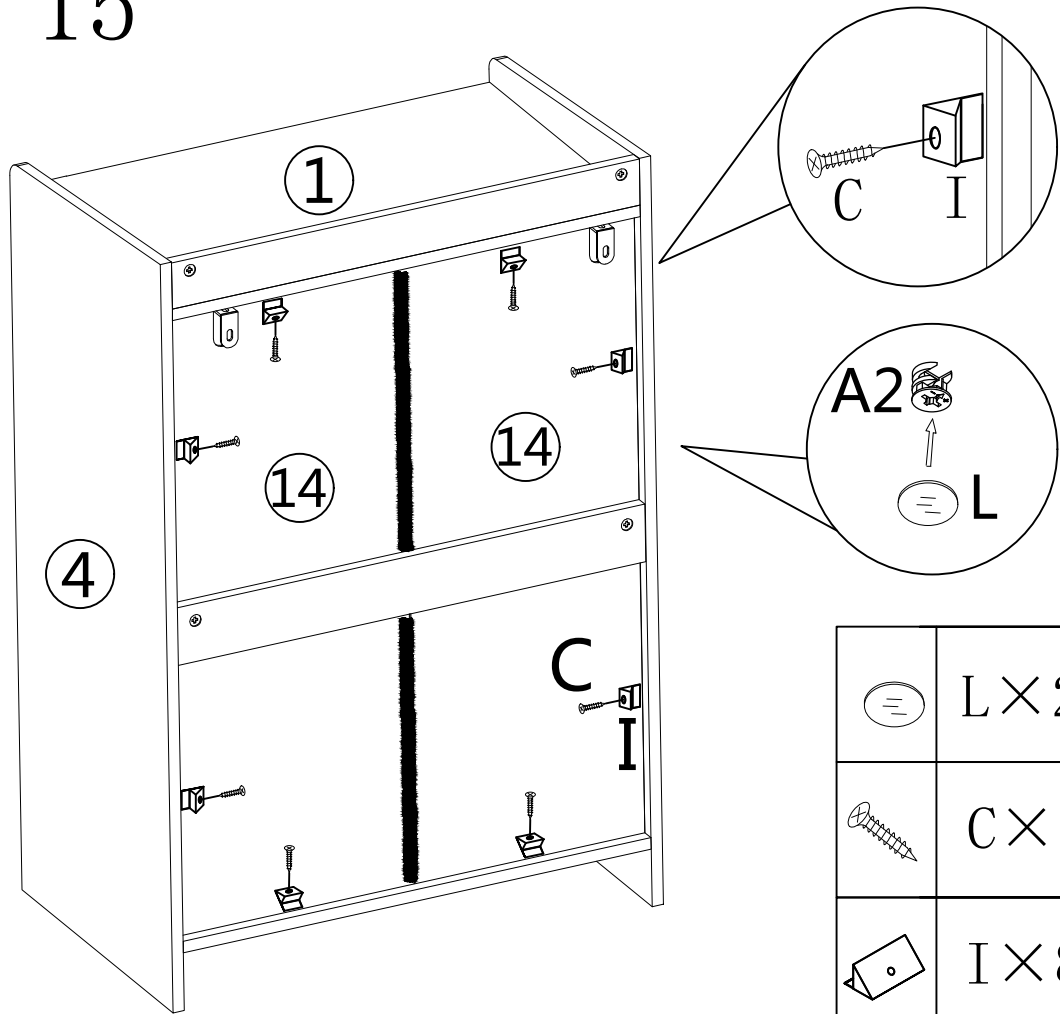
STEP 14


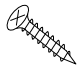

X4



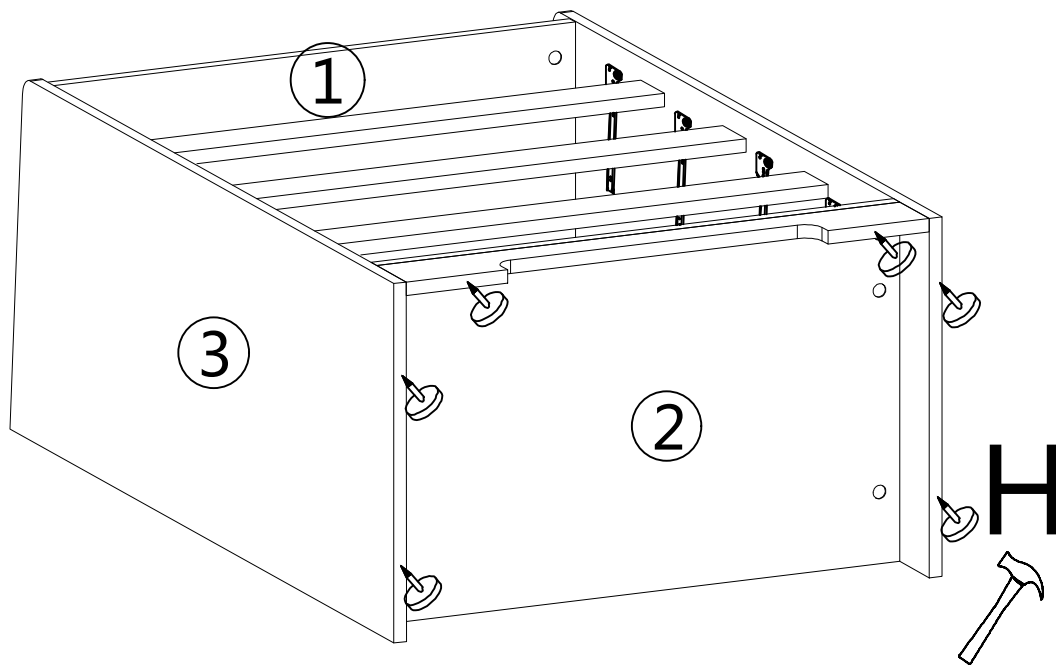
| | |
|---|----------|
|  | C × 6PCS |
|  | DL × 1PC |
|  | DR × 1PC |


STEP 15



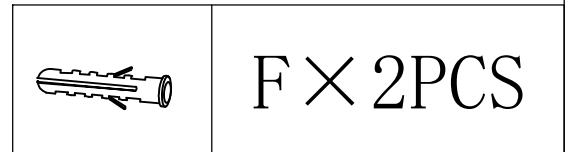
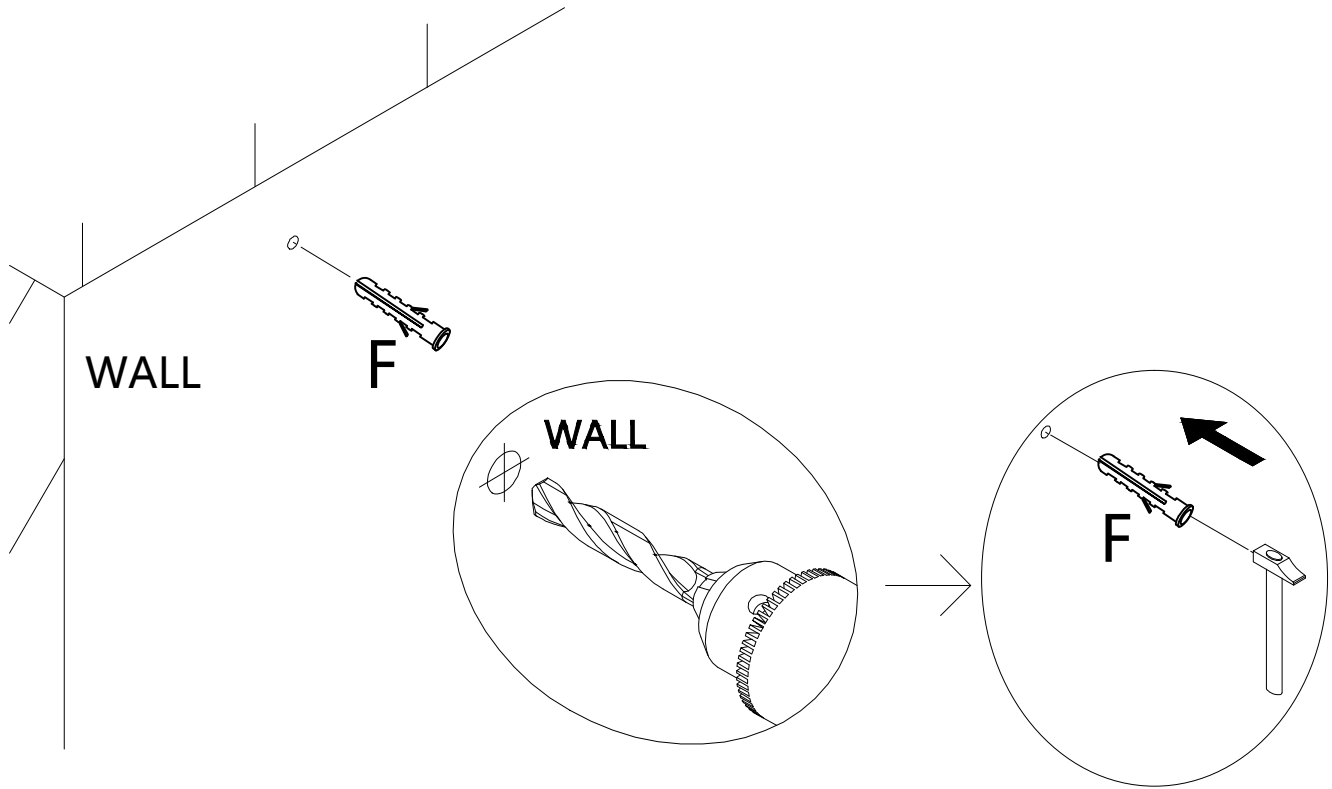
| | |
|---|-----------|
|  | L × 20PCS |
|  | C × 8PCS |
|  | I × 8PCS |

STEP 16

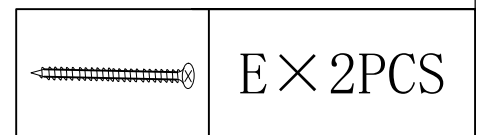
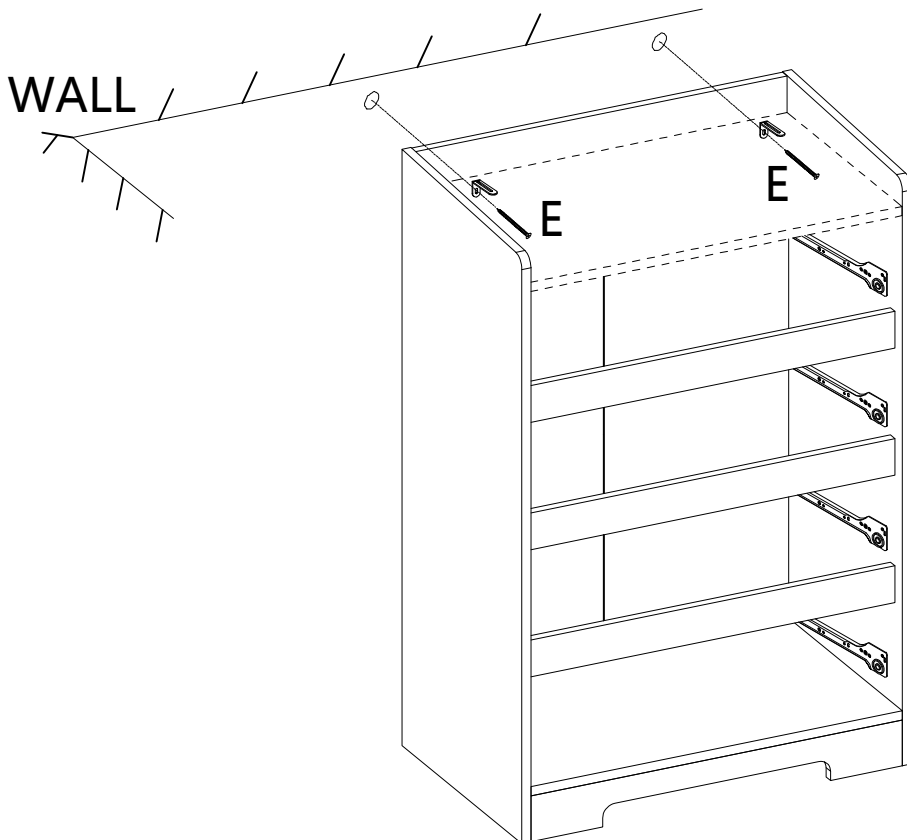


| | |
|---|----------|
|  | H × 6PCS |
|---|----------|

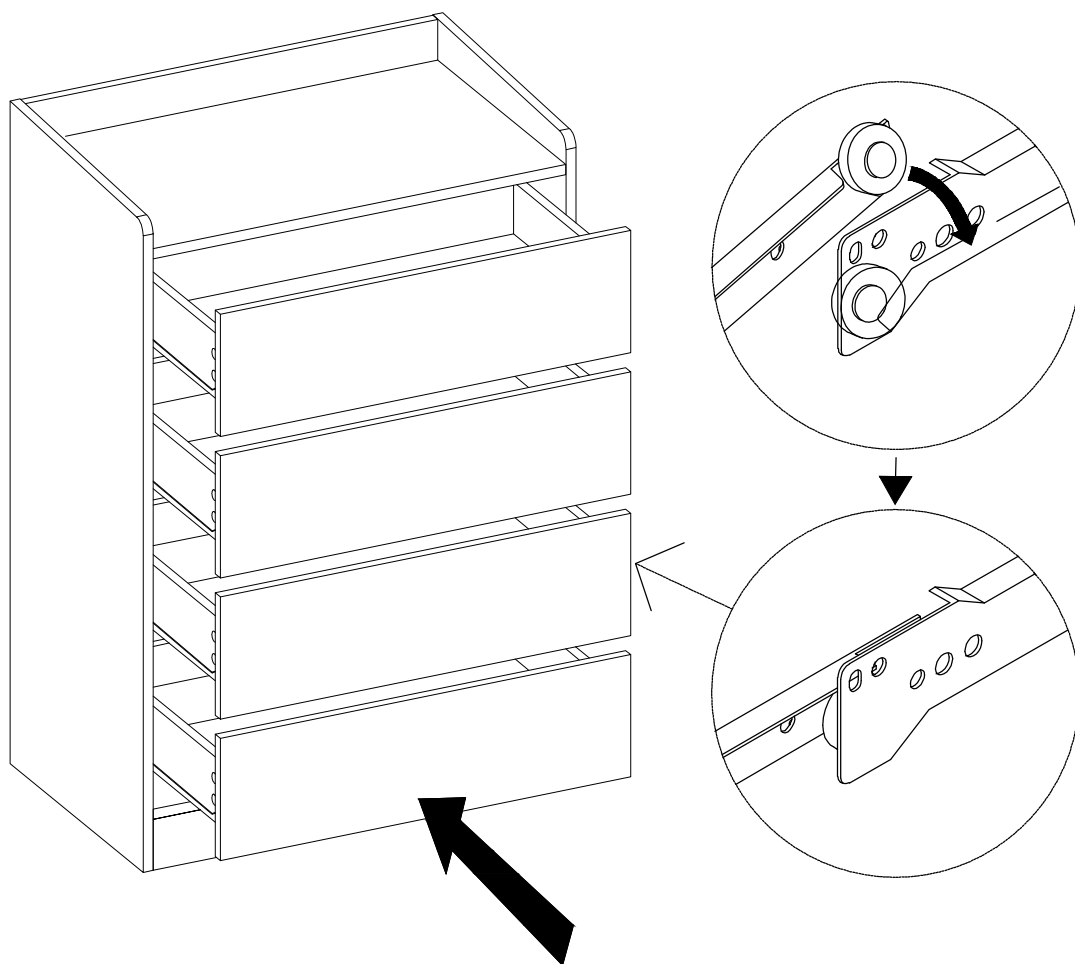
STEP 17



STEP 18



STEP 19



END

