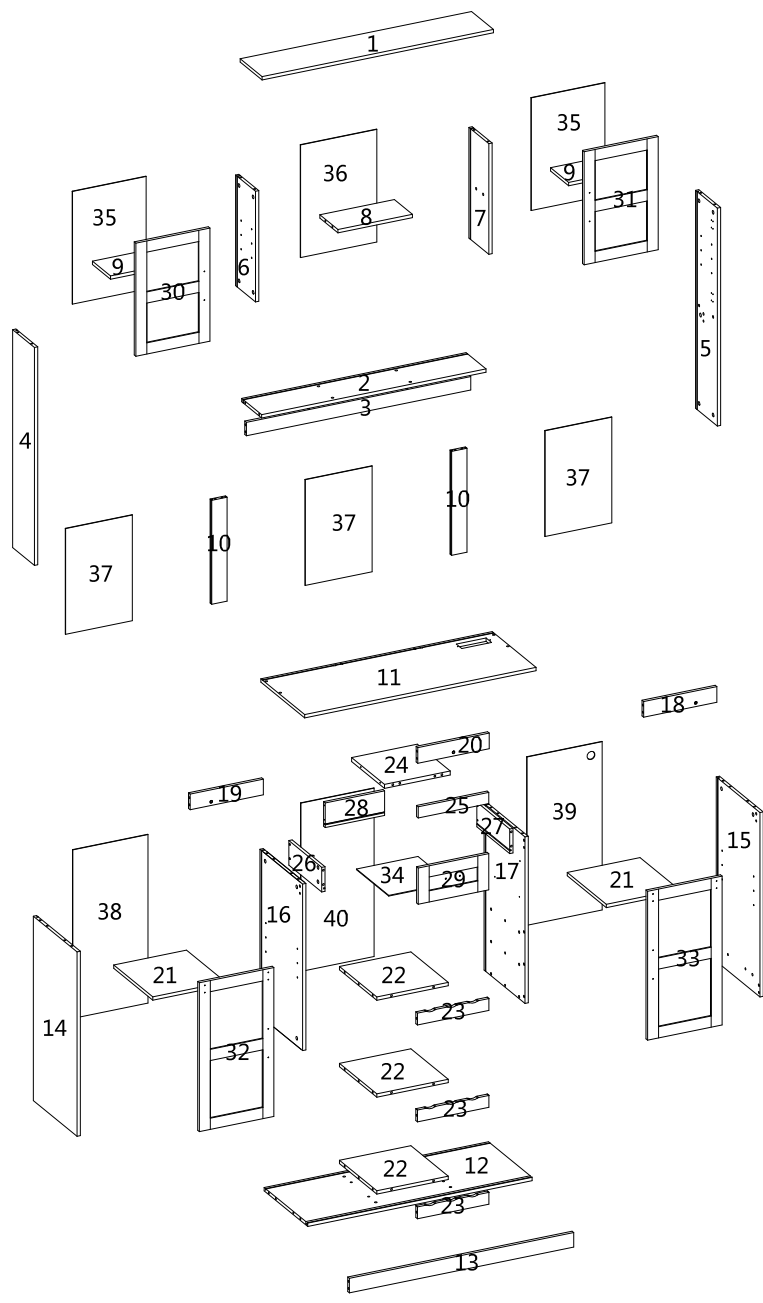
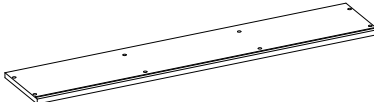
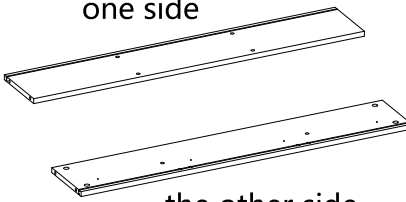

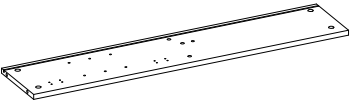
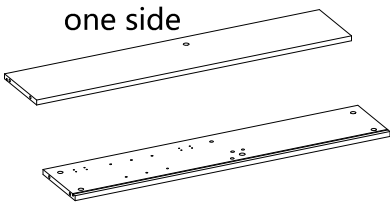
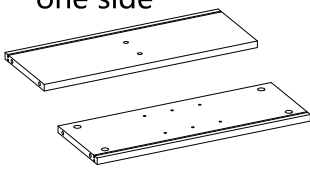
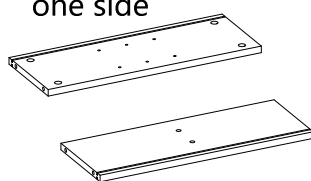

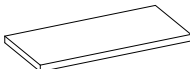
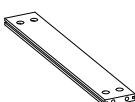
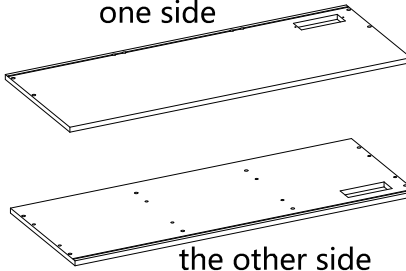
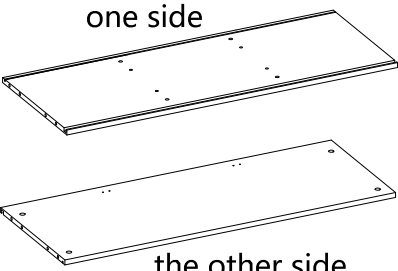
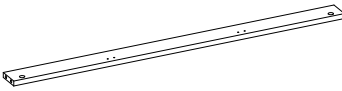
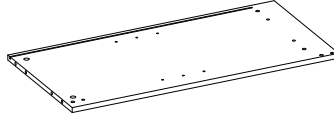
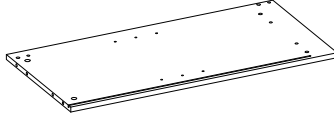
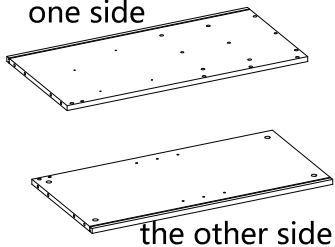
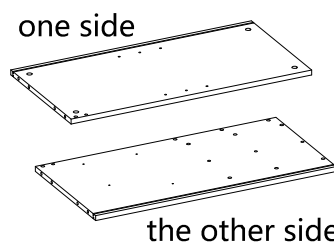
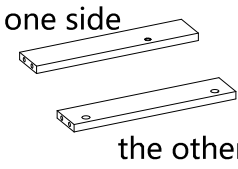
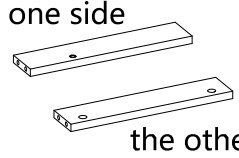
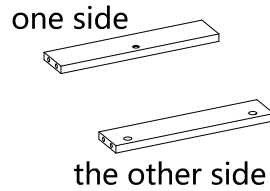
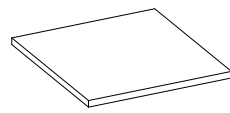
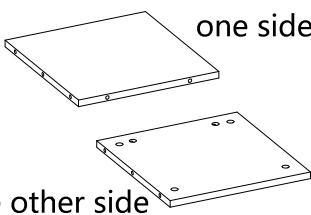
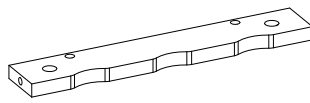
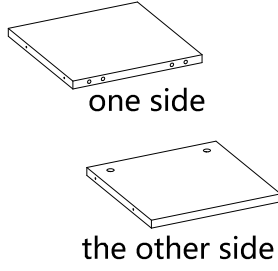
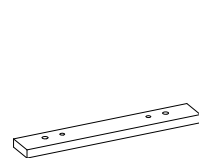
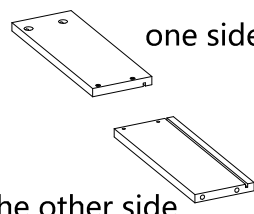
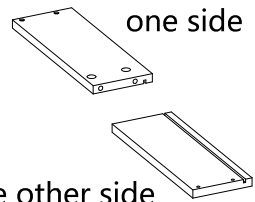
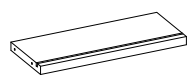
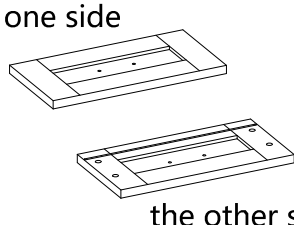
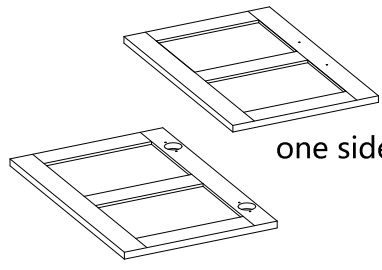


DS-SB007W

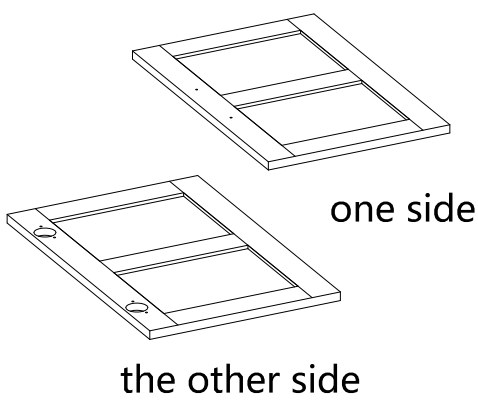


A <p>Ø7*40mm #15*9.5mm 90PCS</p>	B <p>Ø8*30mm 30PCS</p>	C <p>Ø8*50mm 2PCS</p>	D <p>Ø3.5*14mm 84PCS</p>	E <p>Ø3.5*35mm 4PCS</p>	F <p>F1 F2 1PC</p>	G <p>G1 G2 4PCS</p>	H <p>H1 H2 2PCS</p>
I <p>I1 I2 L=300mm 1PC</p>	J <p>CR CL DR DL L=300mm 1PC</p>	K <p>4PCS</p>	L <p>8PCS</p>	N <p>N1 N2*2 1PC</p>			
M <p>3PCS</p>	O <p>O1 O2*4 O3*4 1PC</p>	P <p>L=1020mm 1PC</p>	Q <p>4PCS</p>	R <p>3PCS</p>			
S <p>1PC</p>	T <p>4PCS</p>	U <p>16PCS</p>	V <p>10PCS</p>	W <p>36PCS</p>	X <p>X1 X2 X3 X4 X5 2PCS</p>	Y <p>90PCS</p>	
Z <p>2PCS</p>							

<p>1</p>  <p>1056*200*15mm 1PC</p>	<p>2</p> <p>one side</p>  <p>the other side</p> <p>1024*182*15mm 1PC</p>	<p>3</p>  <p>1024*60*15mm 1PC</p>
<p>4</p>  <p>975*199*15mm 1PC</p>	<p>5</p> <p>one side</p>  <p>the other side</p> <p>975*199*15mm 1PC</p>	<p>6</p> <p>one side</p>  <p>the other side</p> <p>495*182*15mm 1PC</p>
<p>7</p> <p>one side</p>  <p>the other side</p> <p>495*182*15mm 1PC</p>	<p>8</p>  <p>340*165*15mm 1PC</p>	<p>9</p>  <p>325*165*12mm 2PCS</p>
<p>10</p>  <p>465*70*15mm 2PCS</p>	<p>11</p> <p>one side</p>  <p>the other side</p> <p>1056*400*15mm 1PC</p>	<p>12</p> <p>one side</p>  <p>the other side</p> <p>1024*398*15mm 1PC</p>
<p>13</p>  <p>1024*65*15mm 1PC</p>	<p>14</p>  <p>825*399*15mm 1PC</p>	<p>15</p>  <p>825*399*15mm 1PC</p>

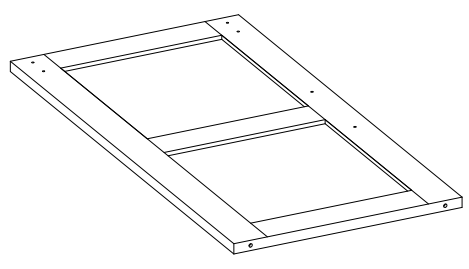
<p>16</p>  <p>745*373.5*15mm 1PC</p>	<p>17</p>  <p>745*373.5*15mm 1PC</p>	<p>18</p>  <p>334*70*15mm 1PC</p>
<p>19</p>  <p>334*70*15mm 1PC</p>	<p>20</p>  <p>326*70*15mm 1PC</p>	<p>21</p>  <p>332*356*12mm 2PCS</p>
<p>22</p>  <p>326*341*15mm 3PCS</p>	<p>23</p>  <p>326*53*15mm 3PCS</p>	<p>24</p>  <p>300*300*18mm 1PC</p>
<p>25</p>  <p>322*50*15mm 1PC</p>	<p>26</p>  <p>300*110*15mm 1PC</p>	<p>27</p>  <p>300*110*15mm 1PC</p>
<p>28</p>  <p>271*110*15mm 1PC</p>	<p>29</p>  <p>162*322*15mm 1PC</p>	<p>30</p>  <p>506*338*15mm 1PC</p>

31



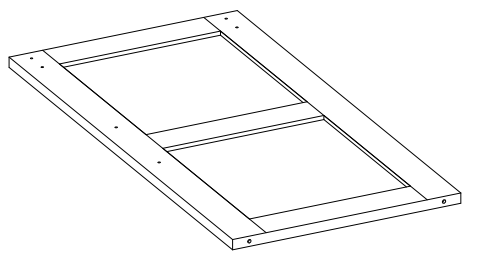
506*338*15mm 1PC

32



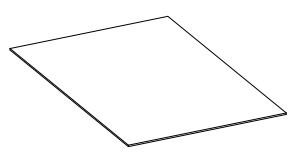
666*340*15mm 1PC

33



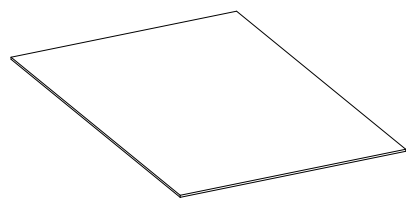
666*340*15mm 1PC

34



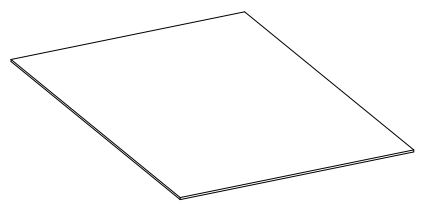
295*281*3mm 1PC

35



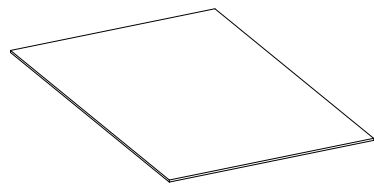
336*504*3mm 2PCS

36



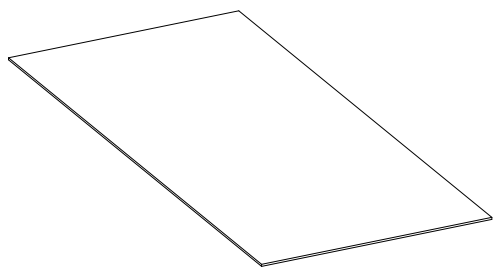
348*504*3mm 1PC

37



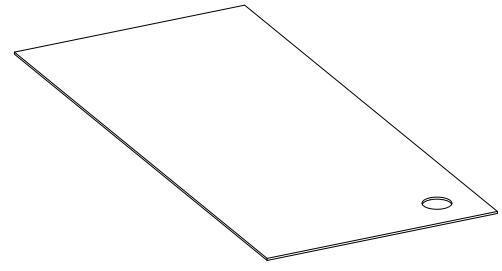
473*305*3mm 3PCS

38



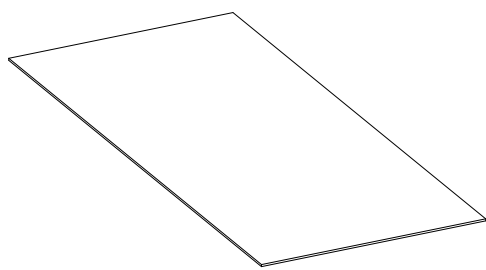
754*343*3mm 1PC

39



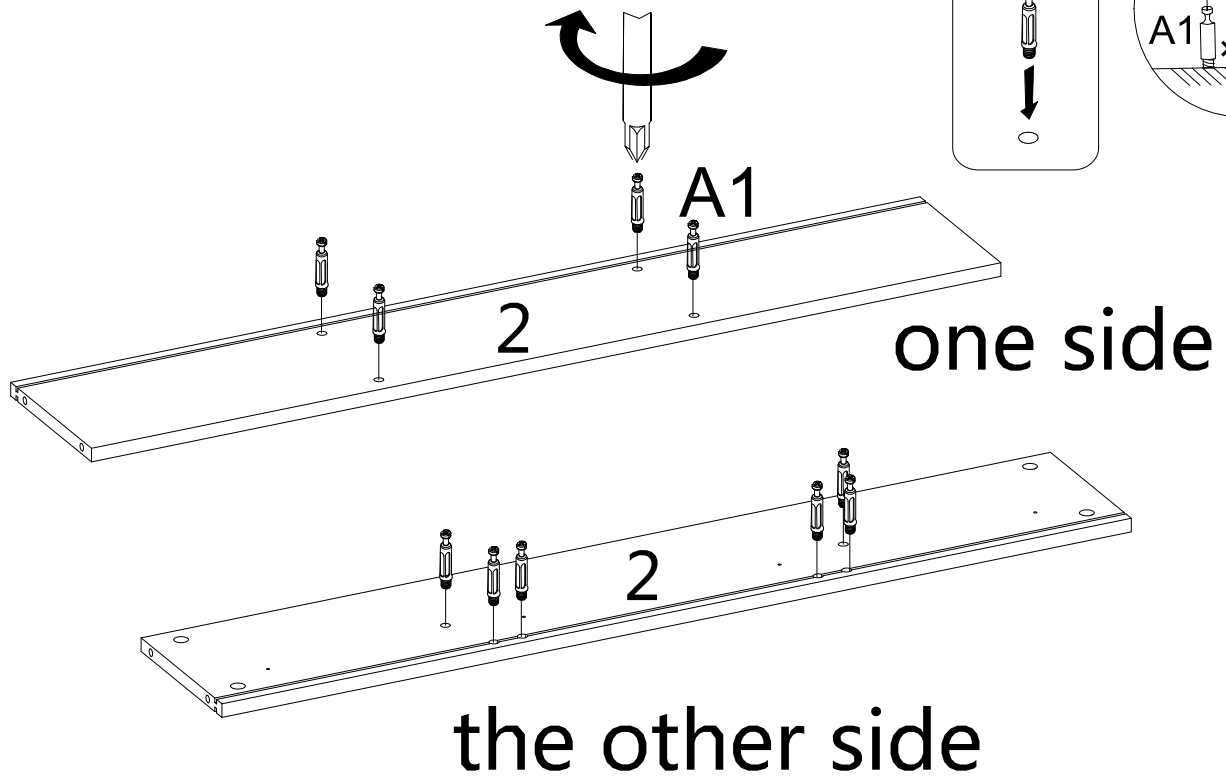
754*343*3mm 1PC


40



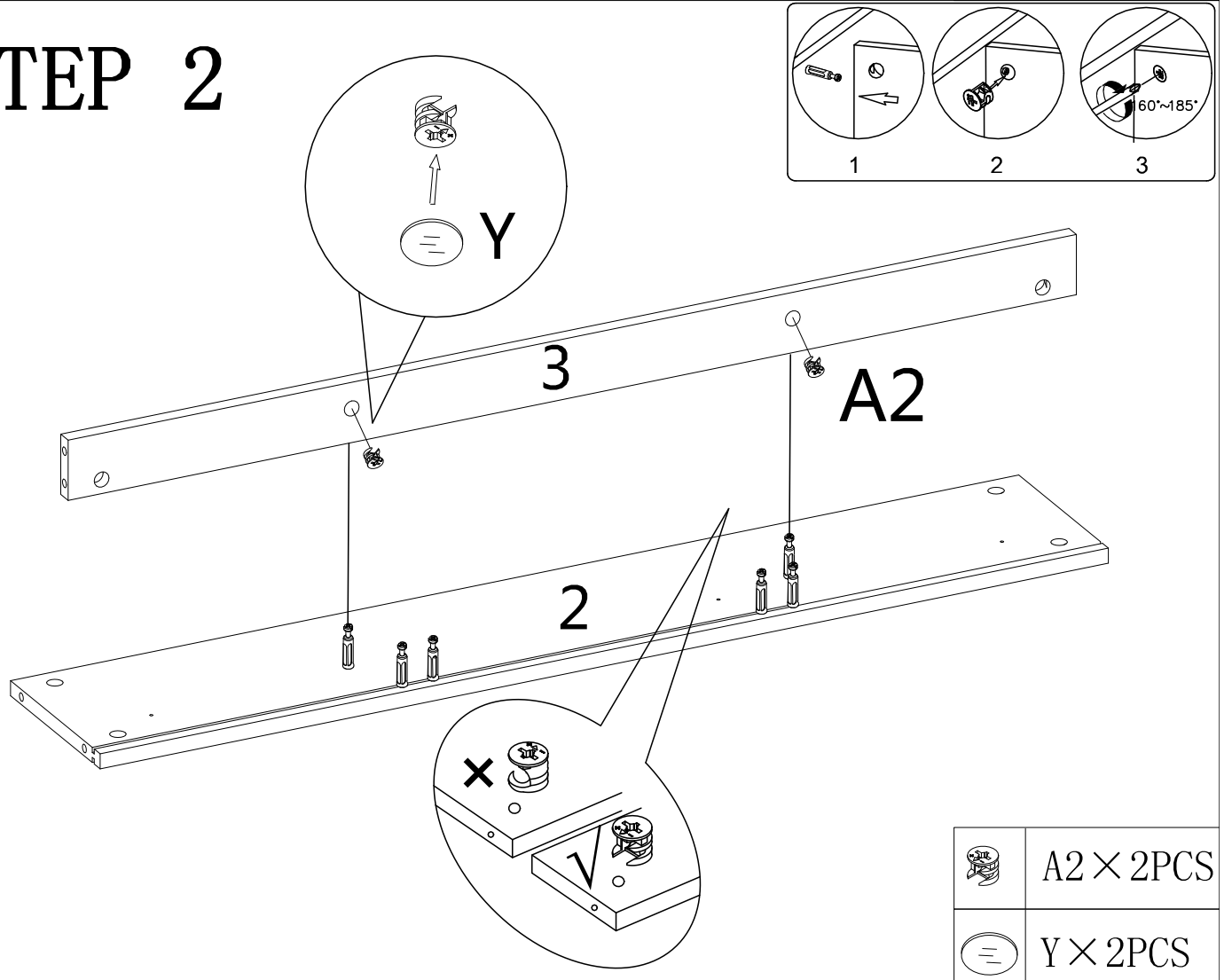
754*334*3mm 1PC



STEP 1



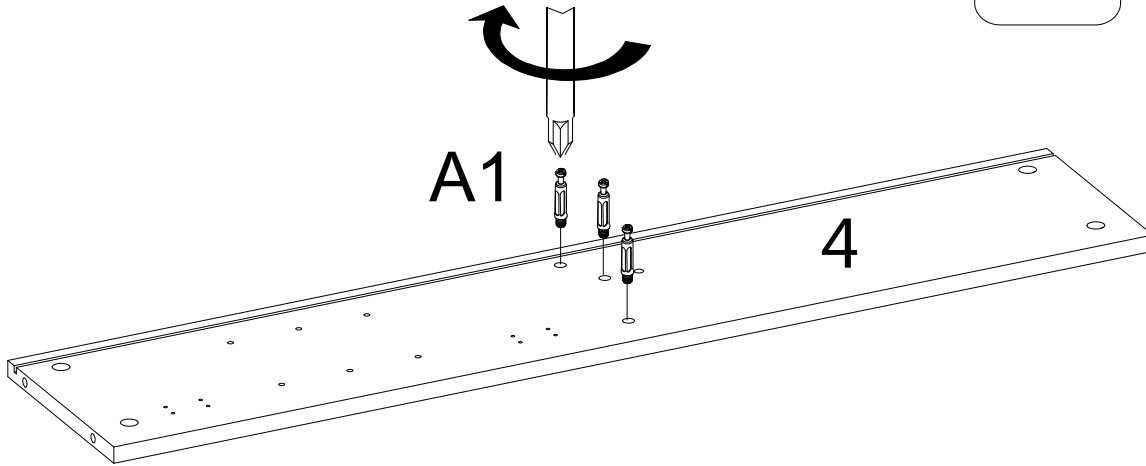
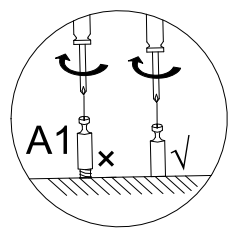
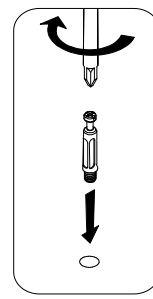
	A1 × 10PCS
---	------------


STEP 2



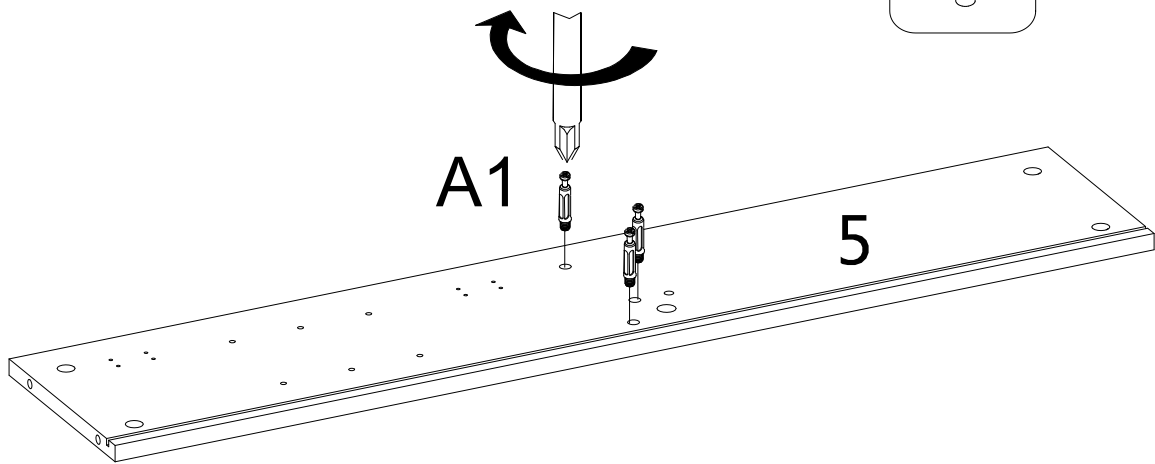
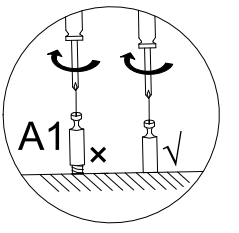
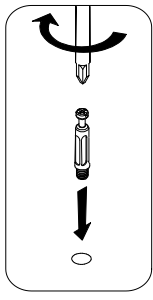
	A2 × 2PCS
	Y × 2PCS


STEP 3



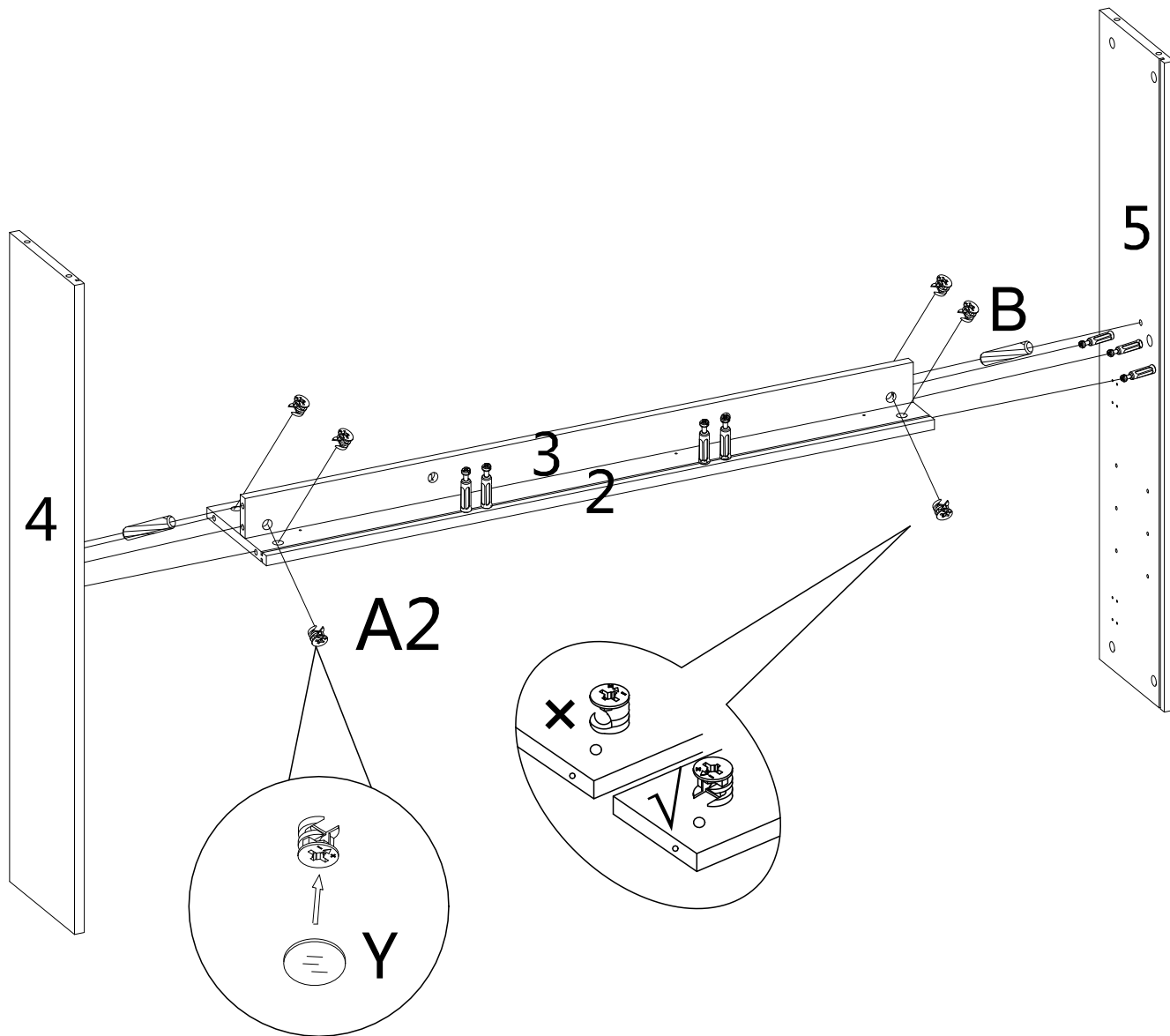
 A1 × 3PCS




STEP 4



 A1 × 3PCS

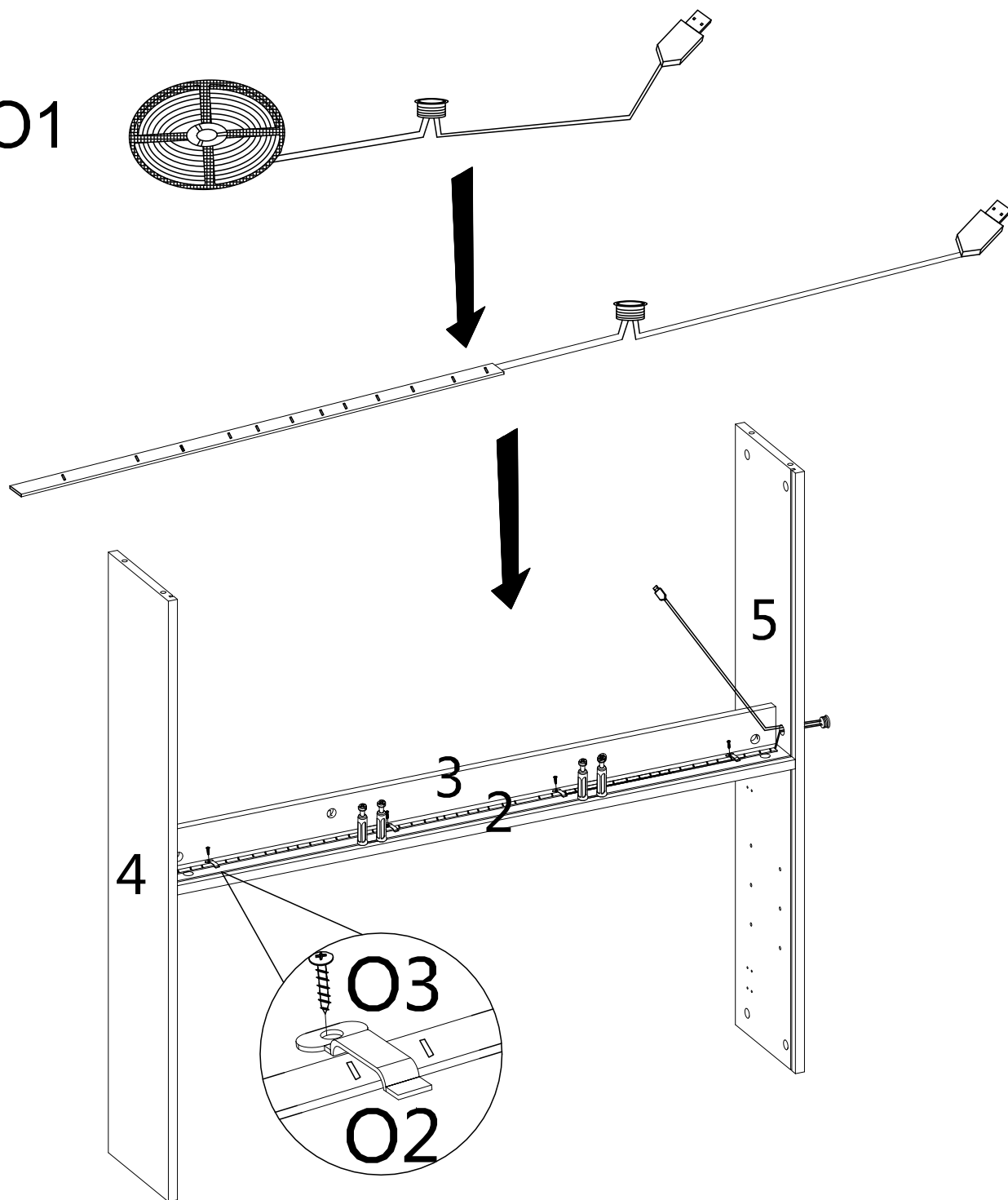
STEP 5



	A2 × 6PCS
	B × 2PCS
	Y × 6PCS




STEP 6

O1

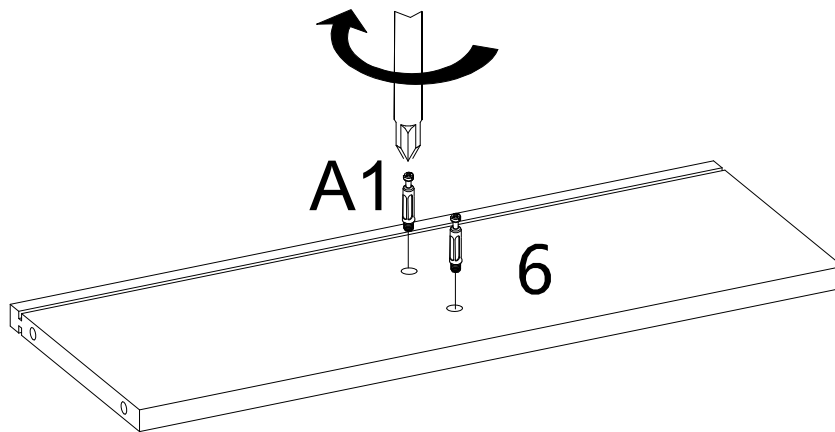
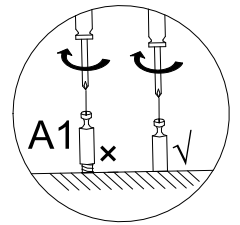
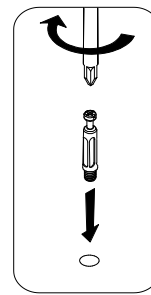


1.Pass the lamp belt through the threading hole of plate No. 5 as shown

2.Fix the lamp belt on plate 2 with O 2/O 3

	01 × 1PC
	02 × 4PCS
	03 × 4PCS

STEP 7

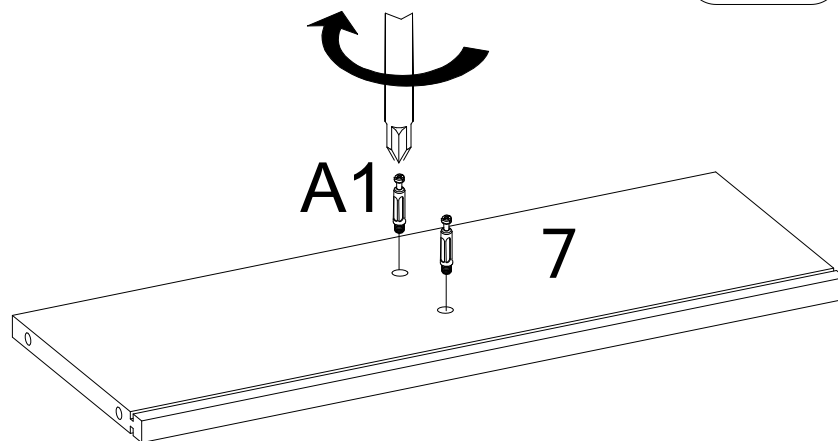
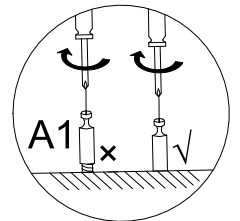
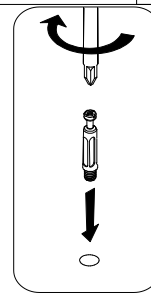


one side



A1 × 2PCS

STEP 8

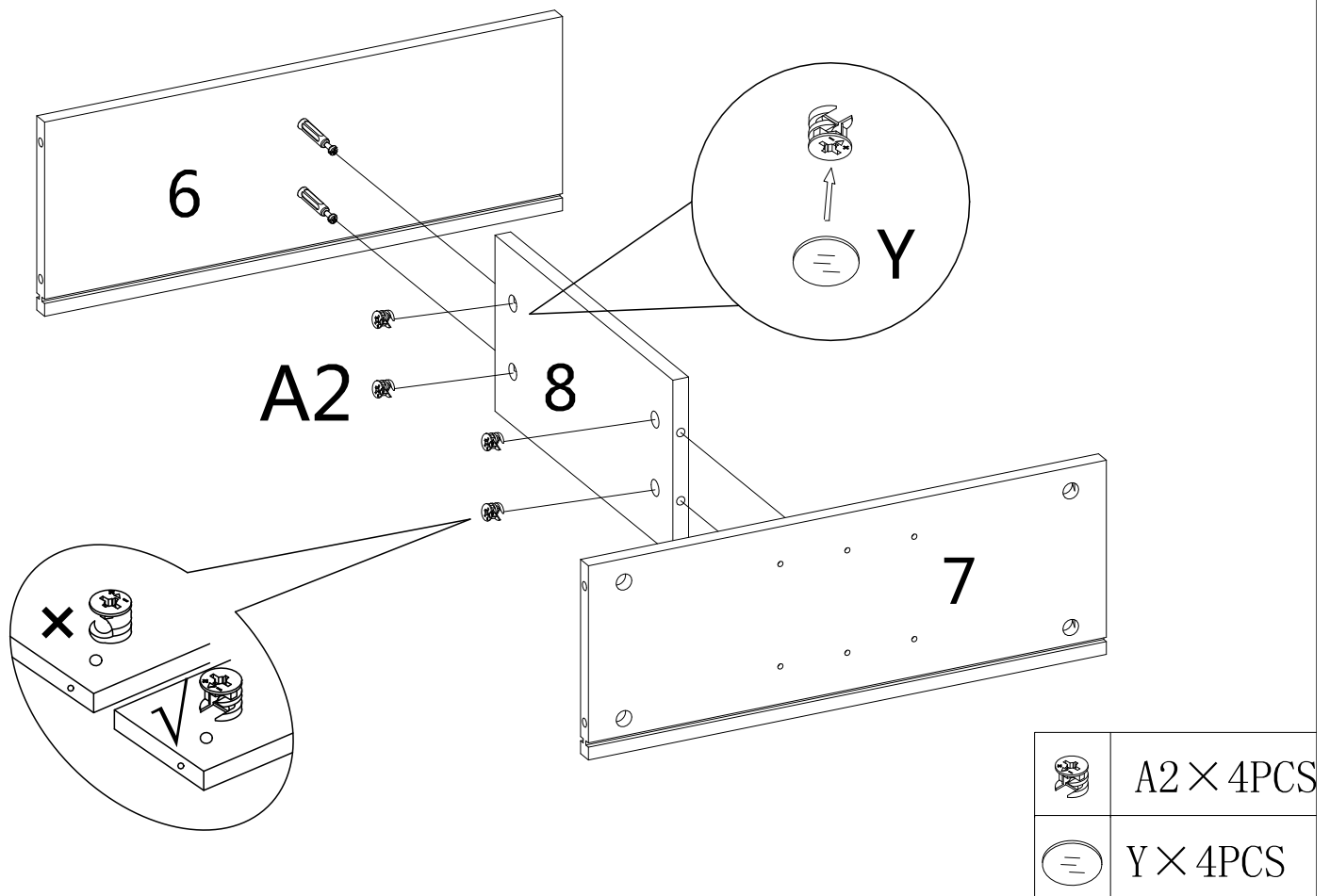


one side

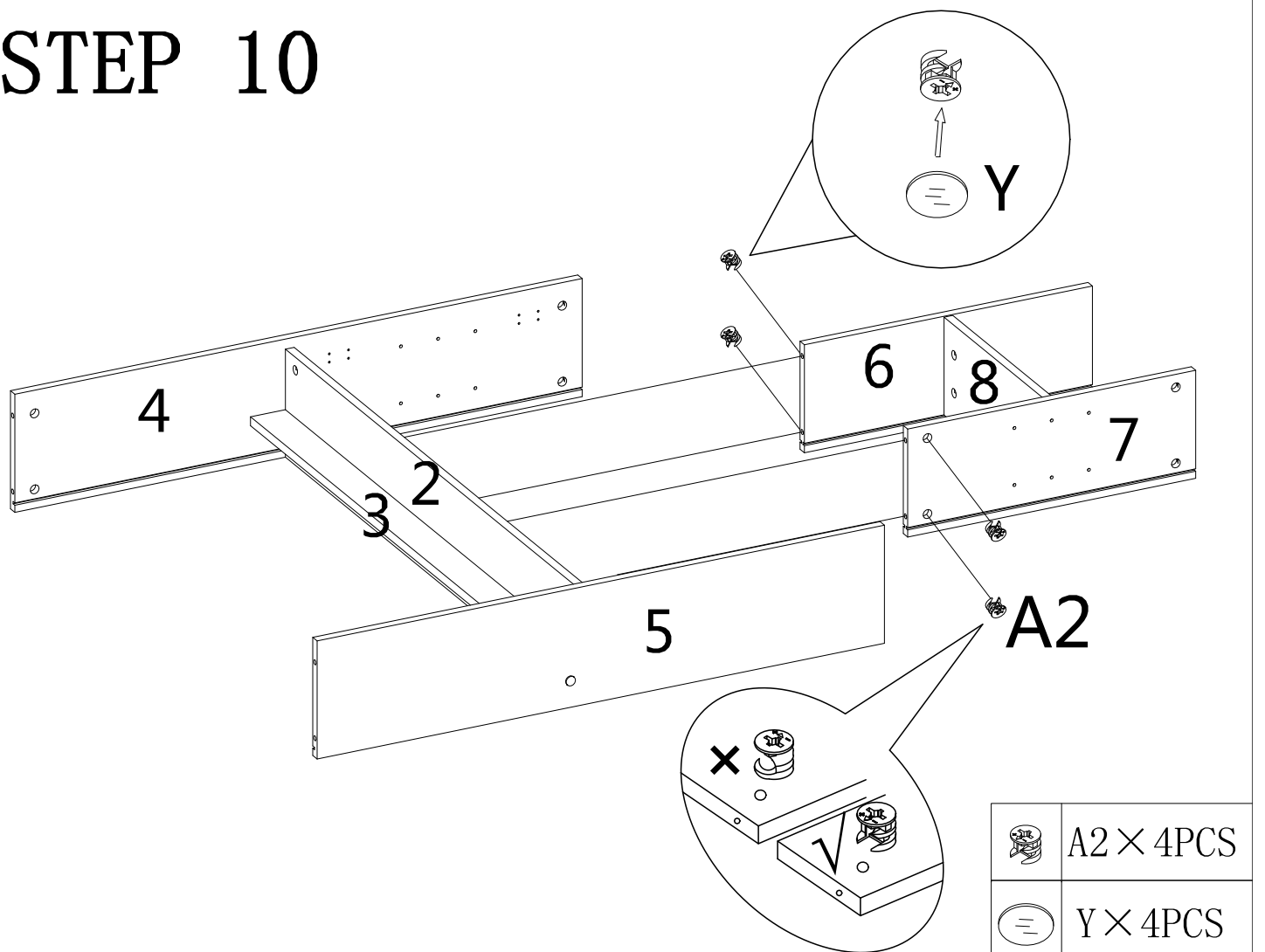


A1 × 2PCS

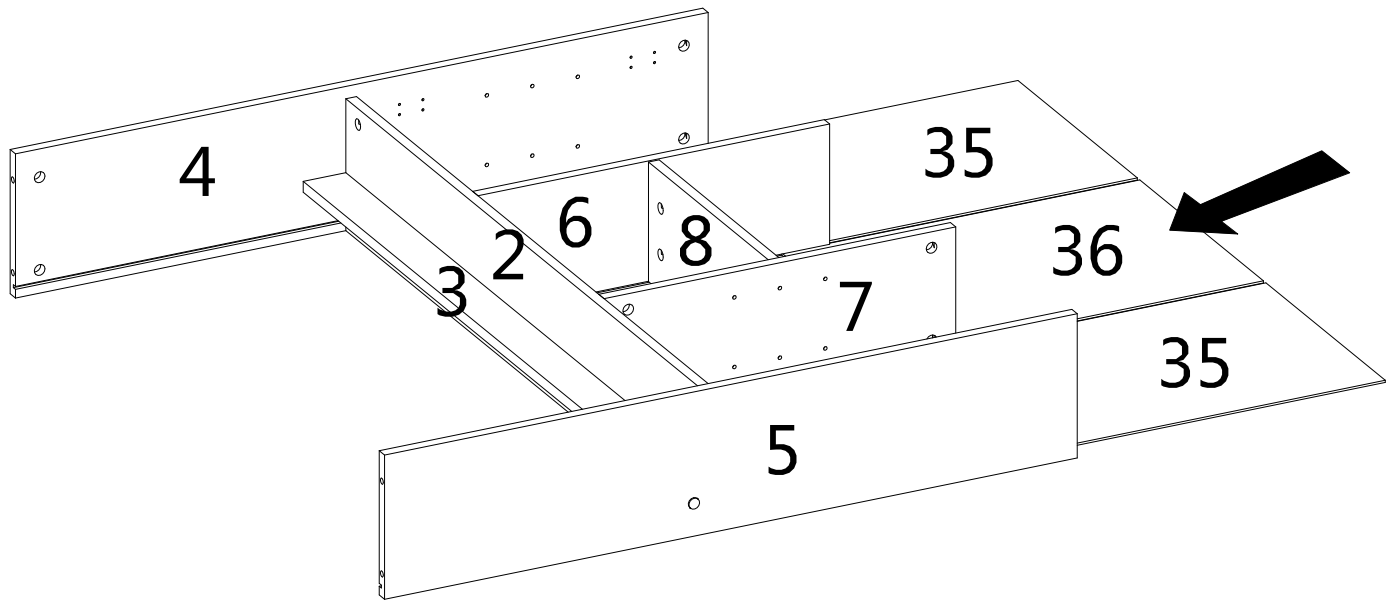
STEP 9



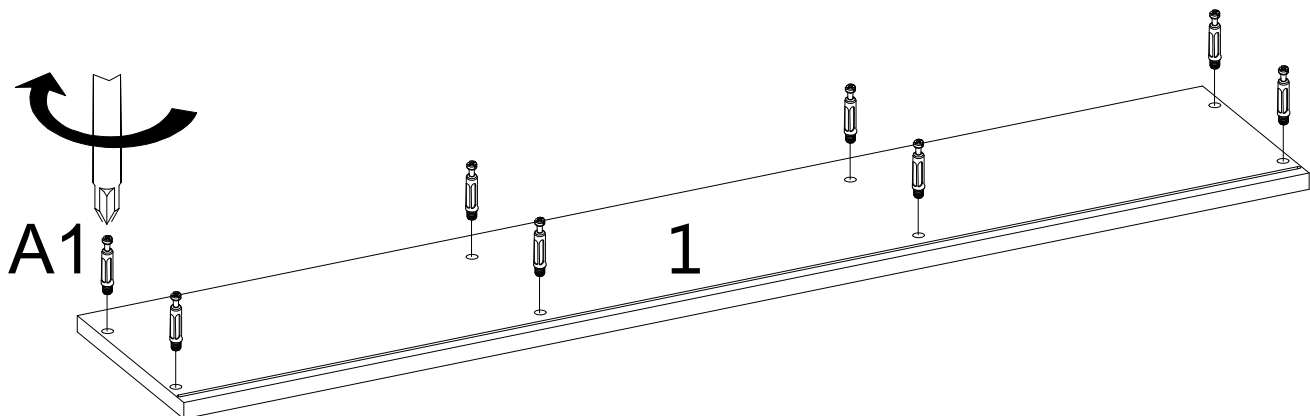
STEP 10



STEP 11

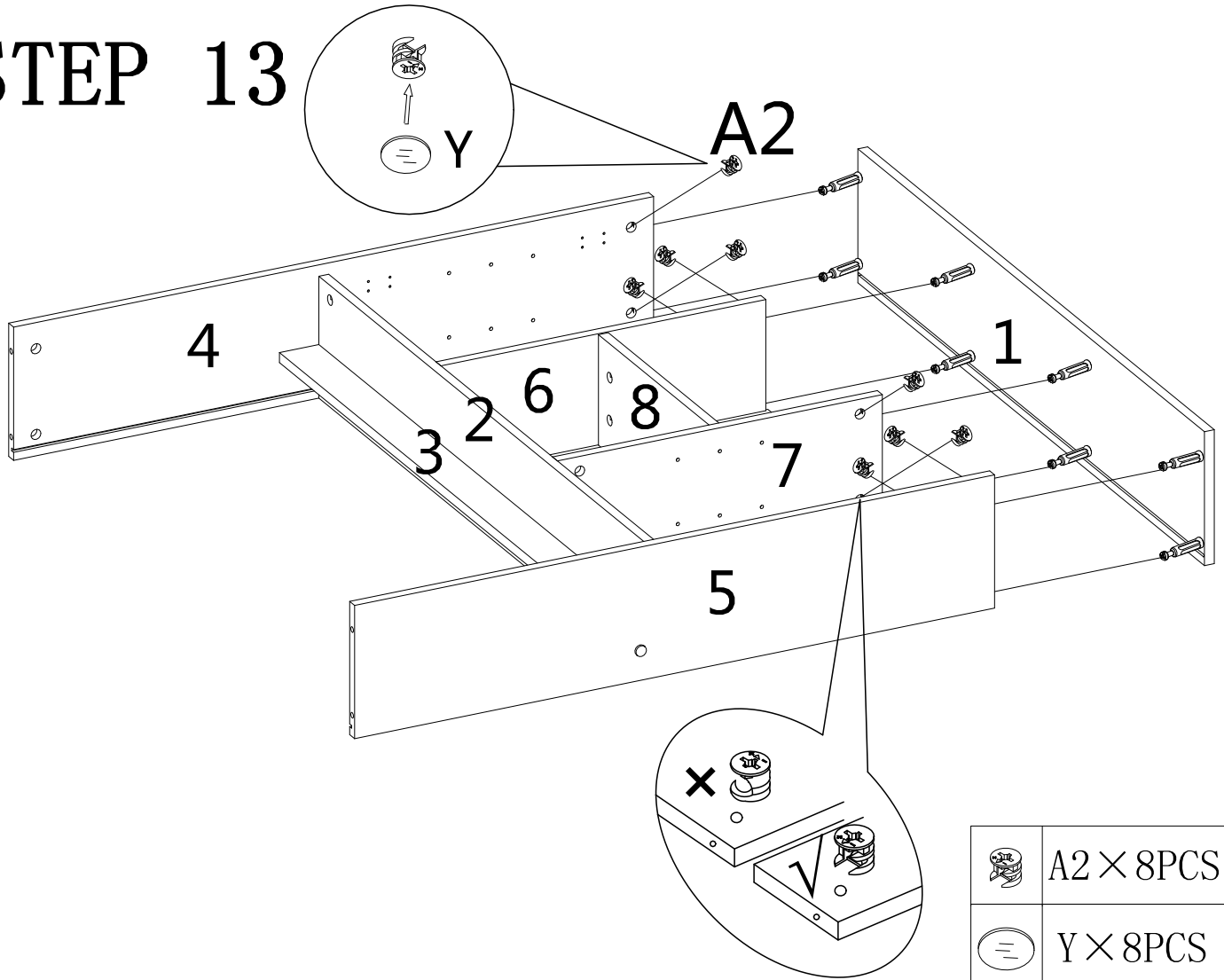


STEP 12

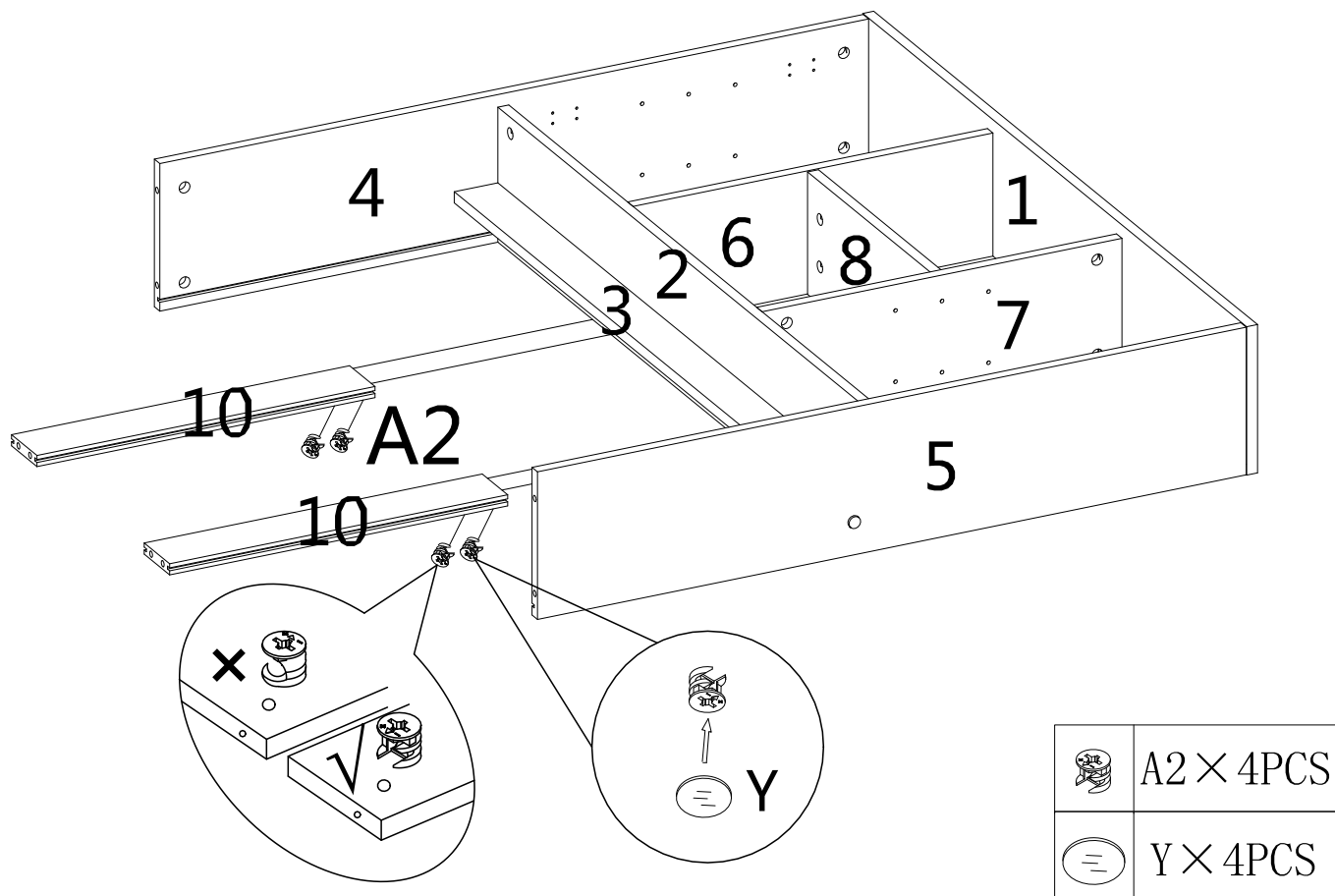


A1 × 8PCS

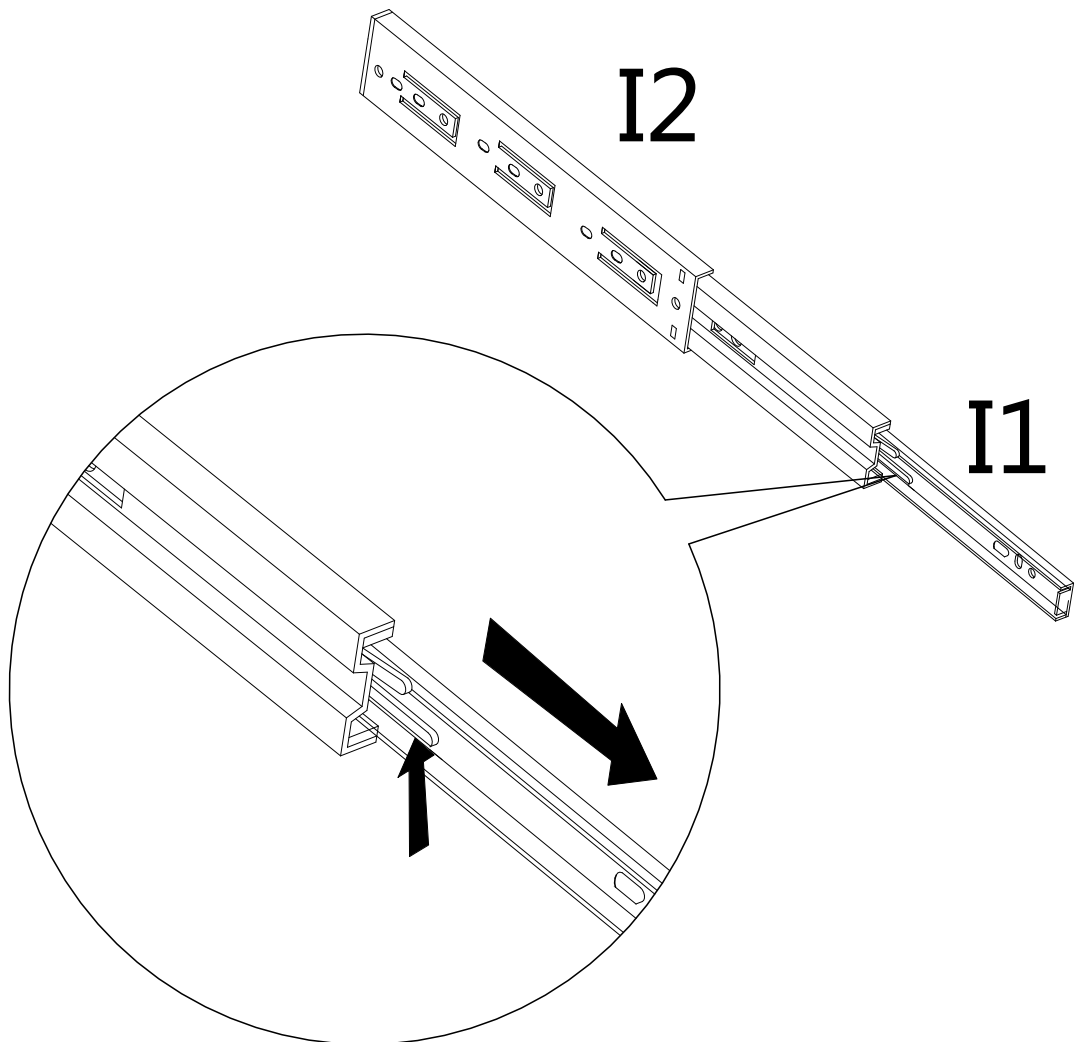
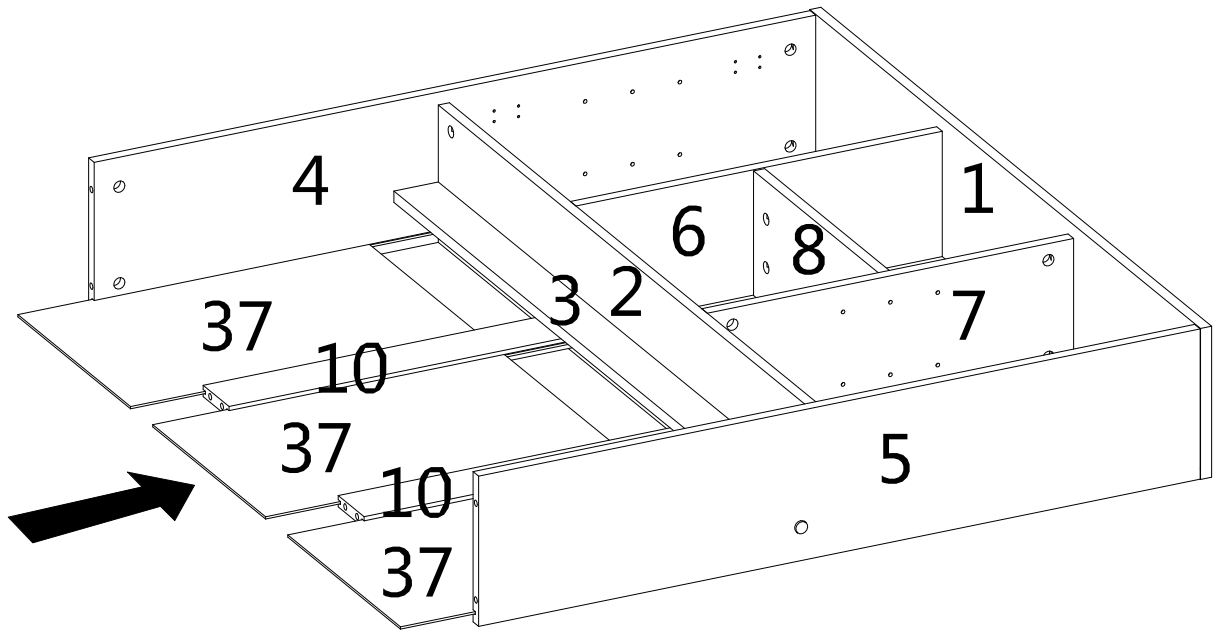
STEP 13

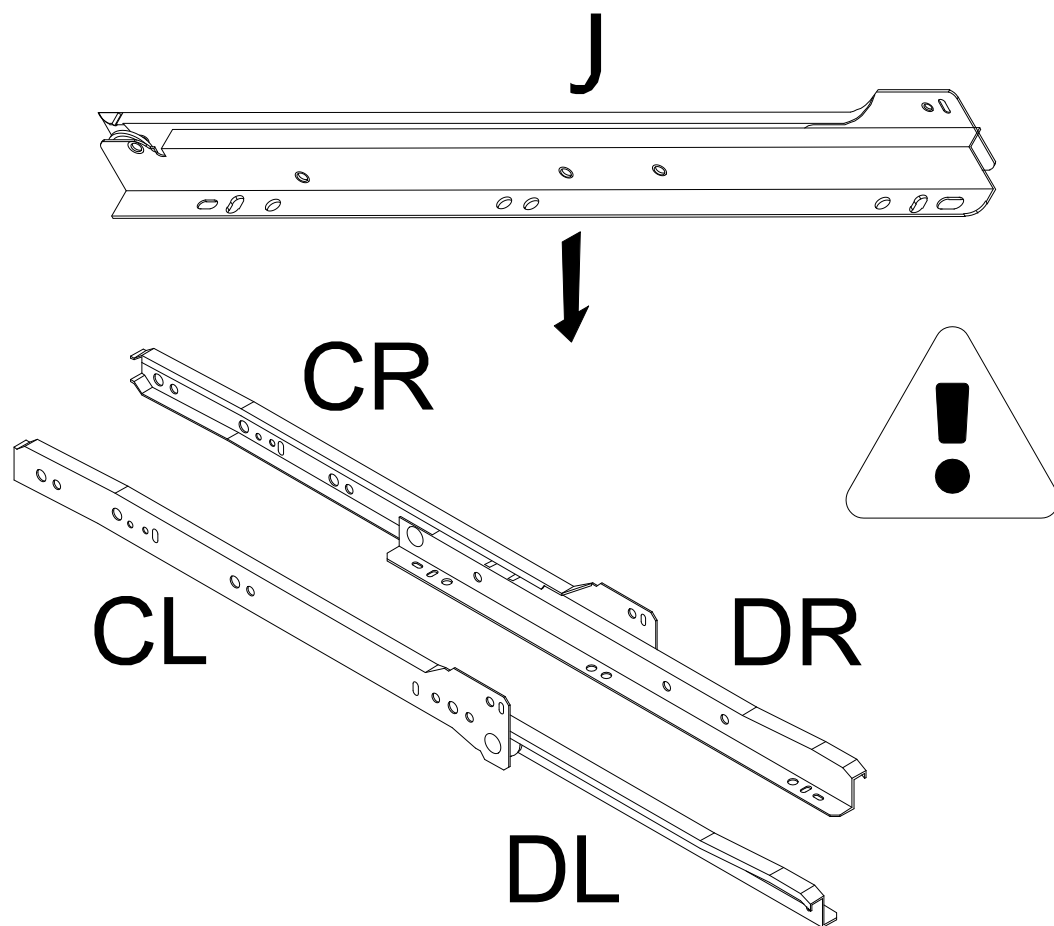


STEP 14

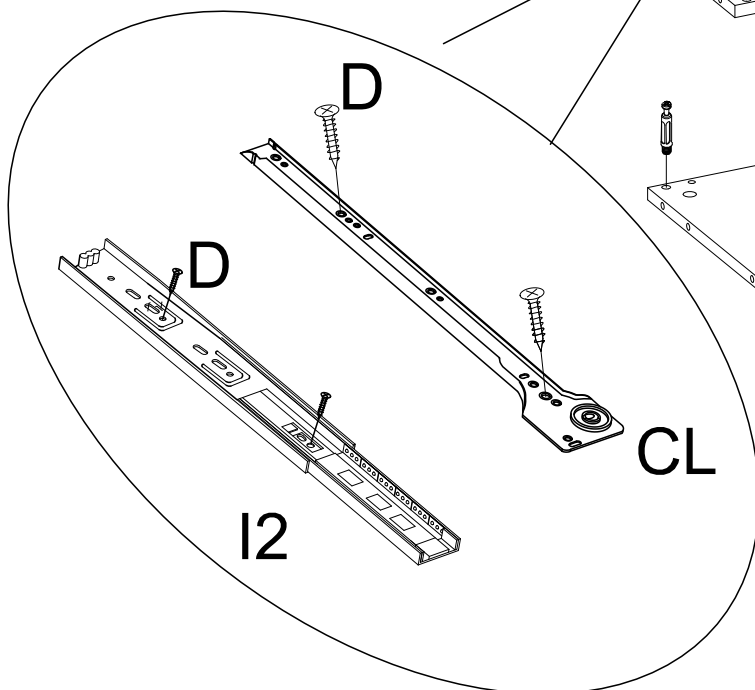
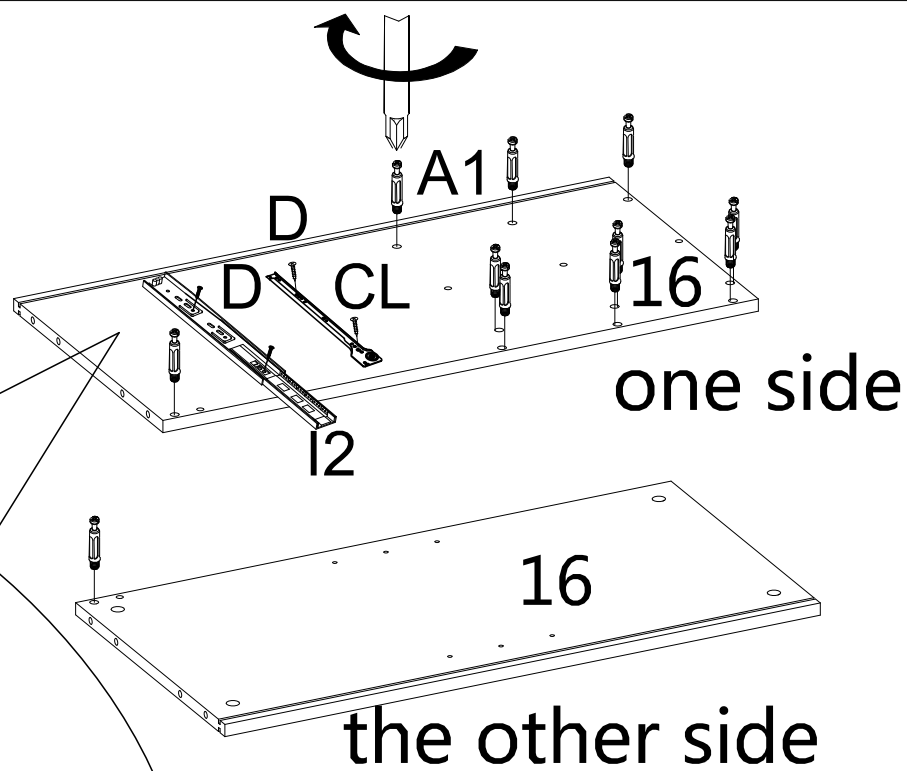






STEP 15



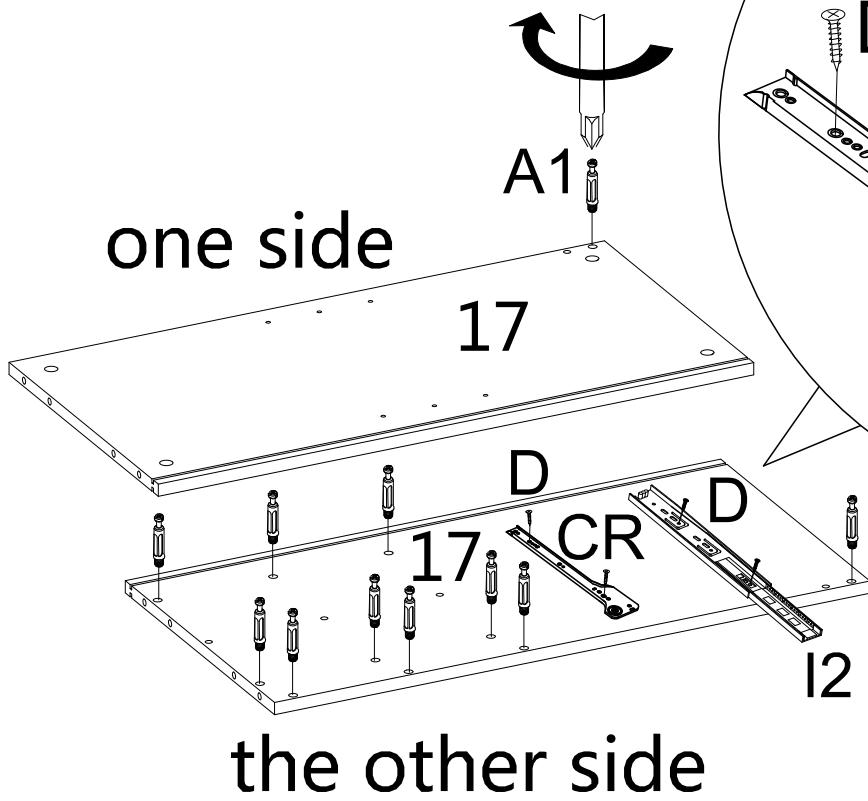






STEP 16



	A1 × 11PCS		D × 4PCS
	I2 × 1PC		CL × 1PC

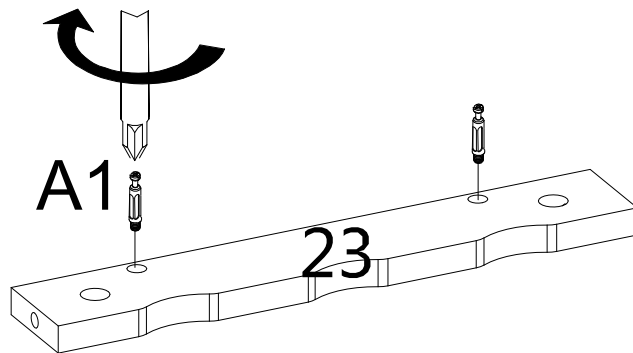
STEP 17




	A1 × 11PCS		D × 4PCS
	I2 × 1PC		CR × 1PC

STEP 18

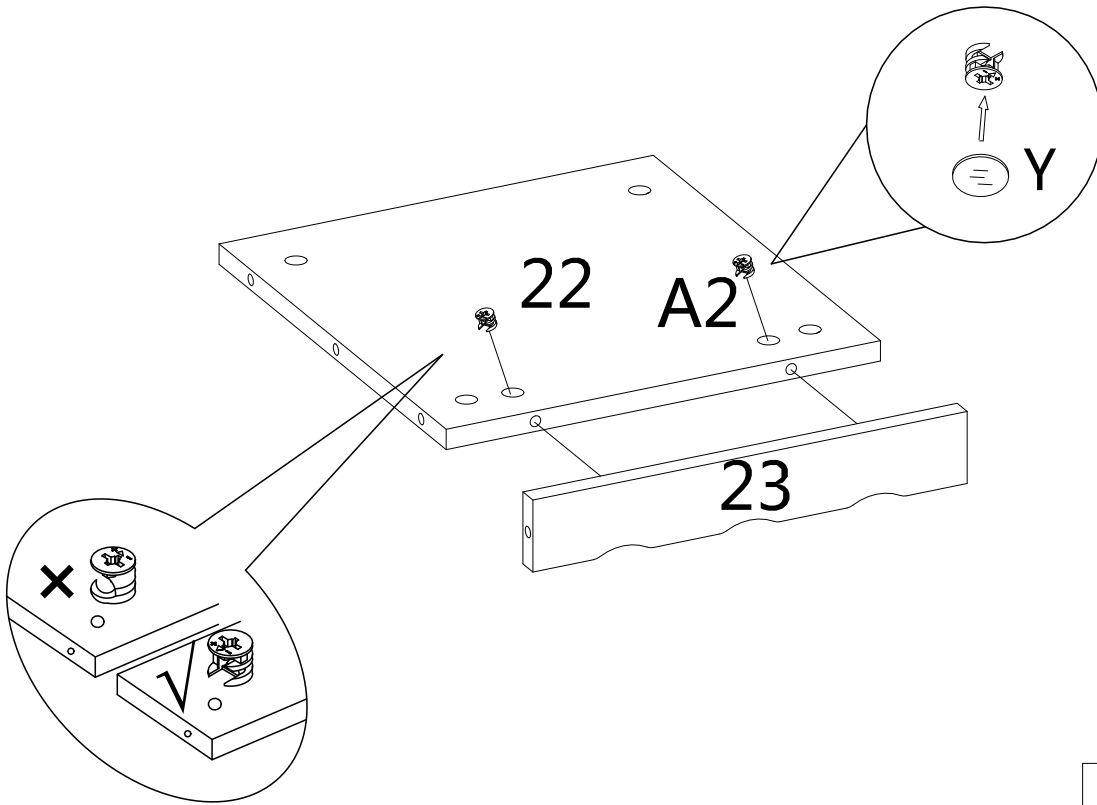
× 3





	A1 × 6PCS
---	-----------

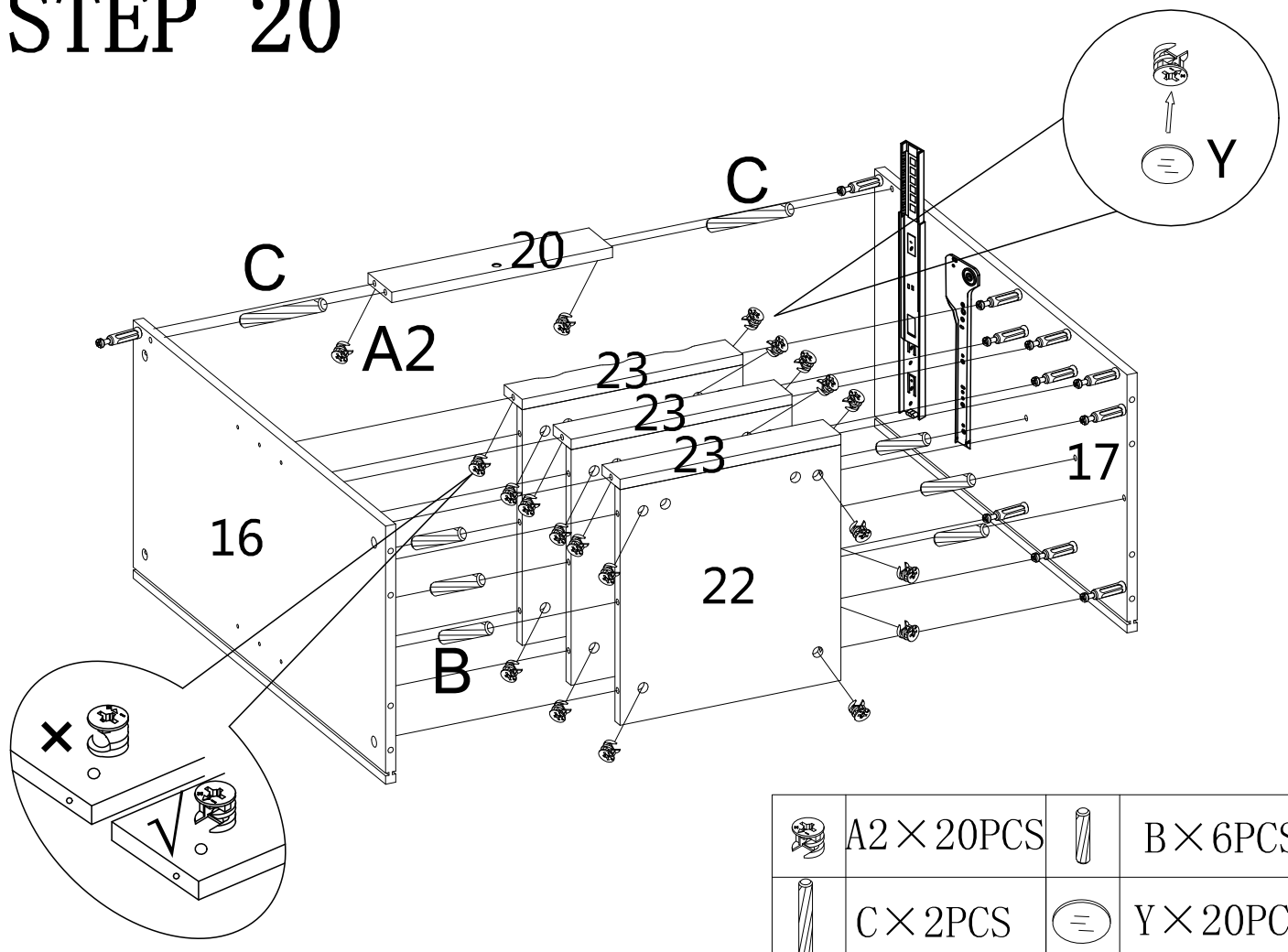
STEP 19



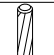

× 3



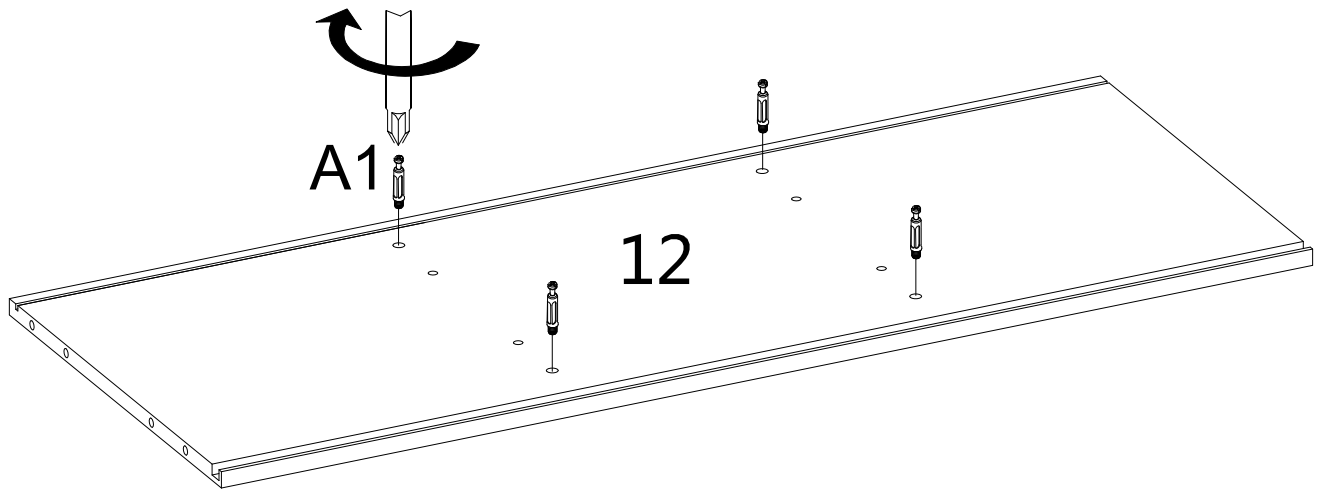
	A2 × 6PCS
	Y × 6PCS


STEP 20



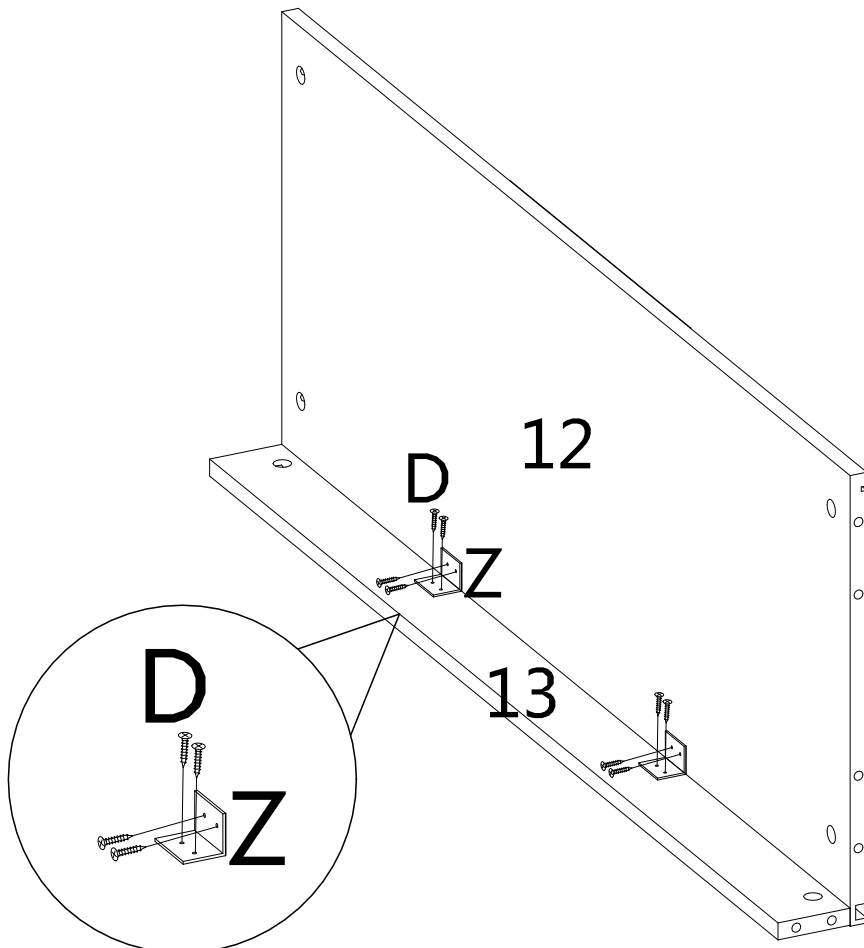
	A2 × 20PCS		B × 6PCS
	C × 2PCS		Y × 20PCS



STEP 21



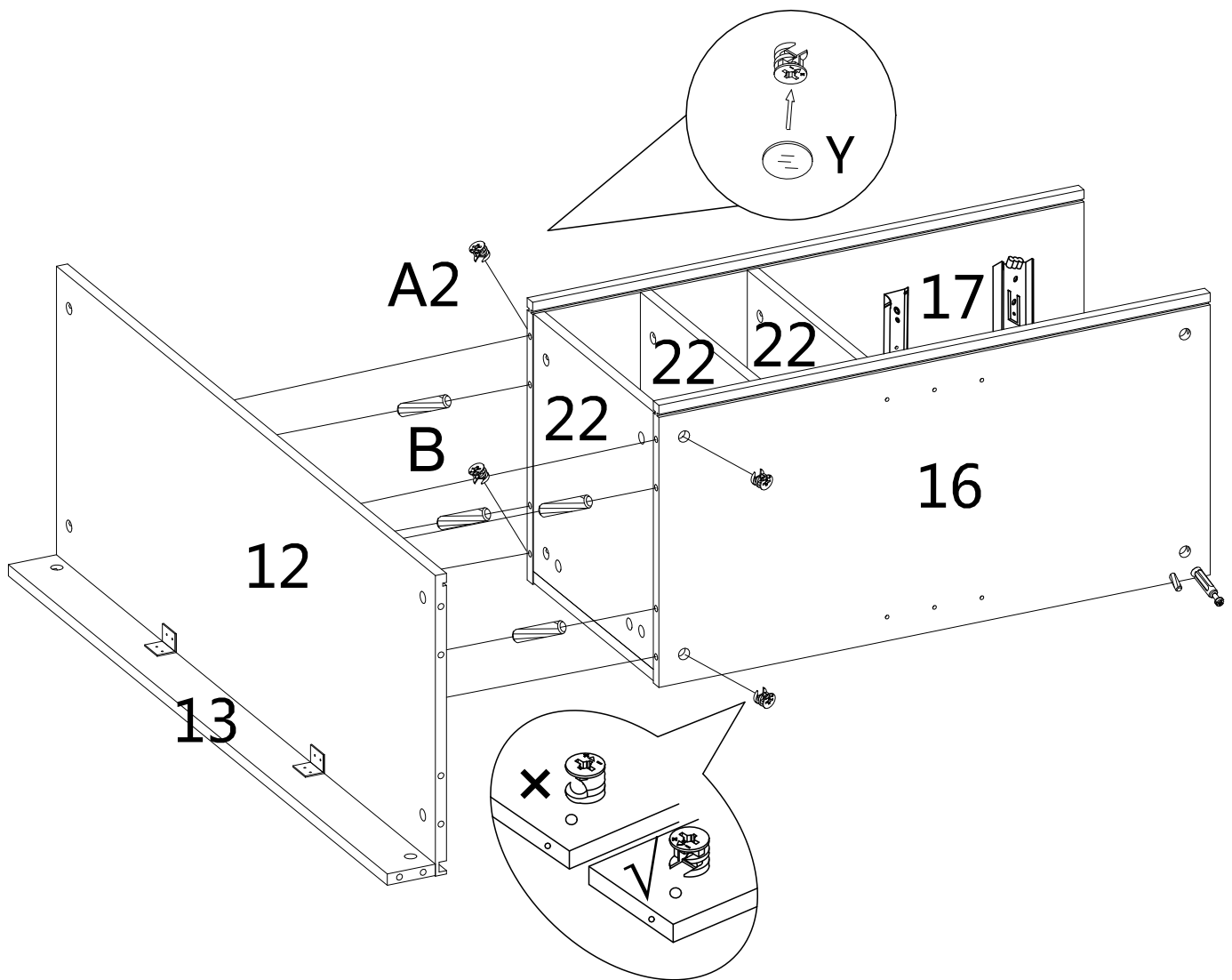
	A1 × 4PCS
---	-----------




STEP 22



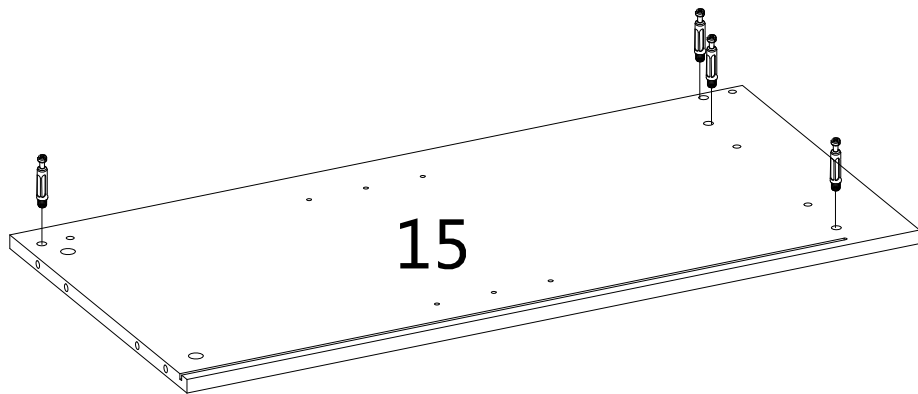
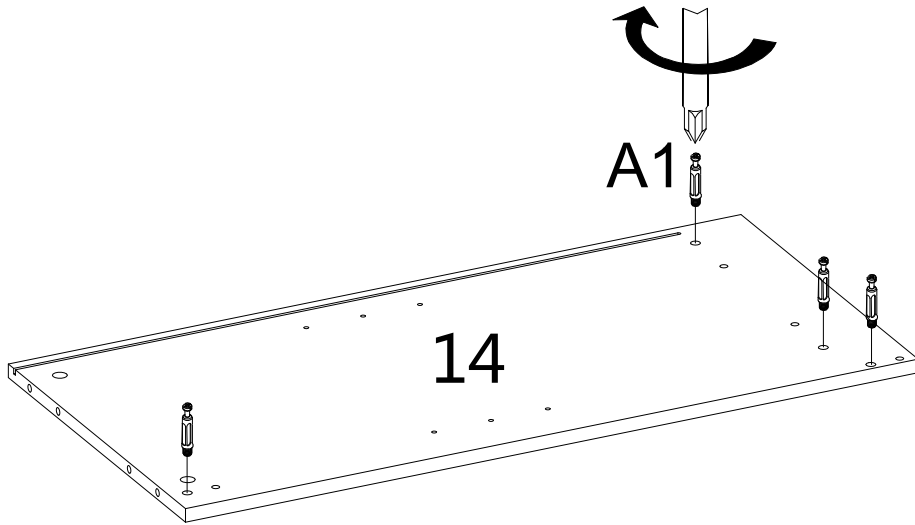
	D × 8PCS
	Z × 2PCS

STEP 23



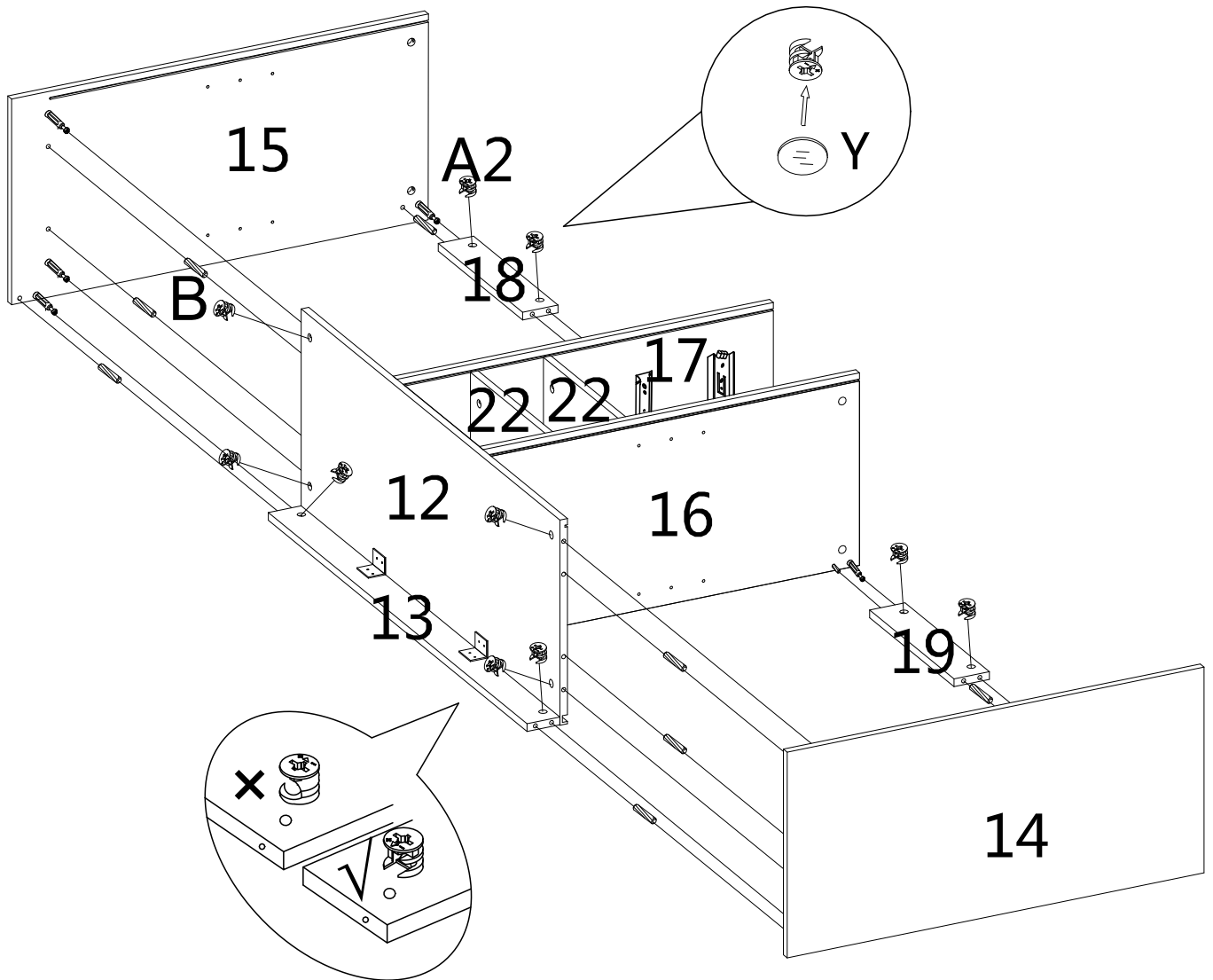
	A2 × 4PCS
	B × 4PCS
	Y × 4PCS




STEP 24



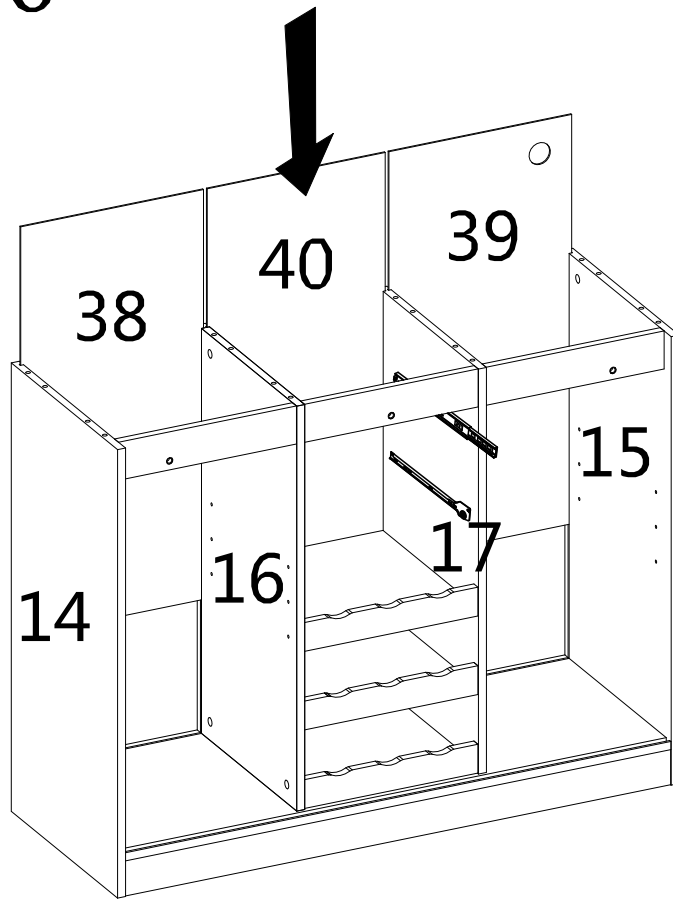
A1 × 8PCS

STEP 25

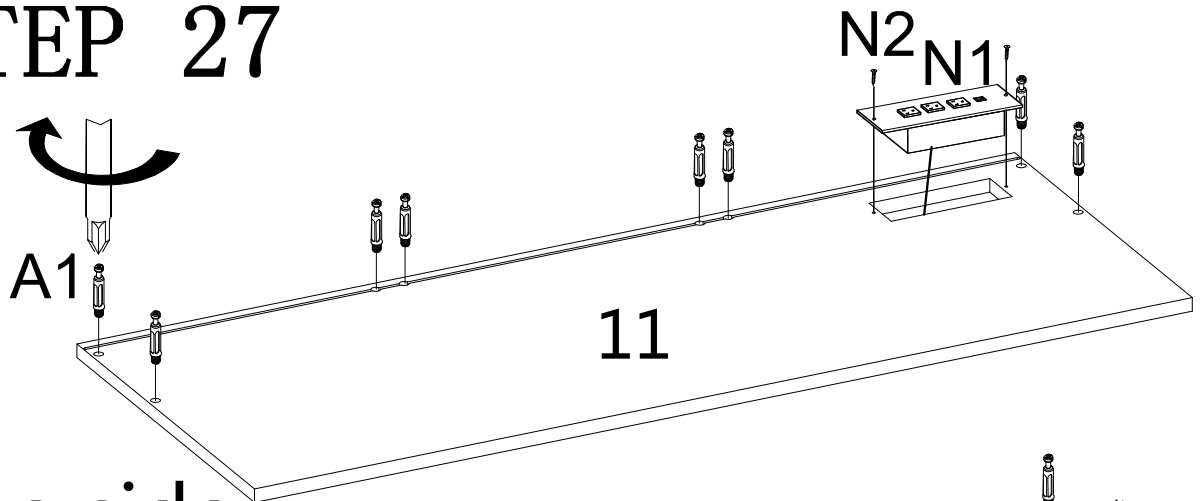


	A2 × 10PCS
	B × 8PCS
	Y × 10PCS

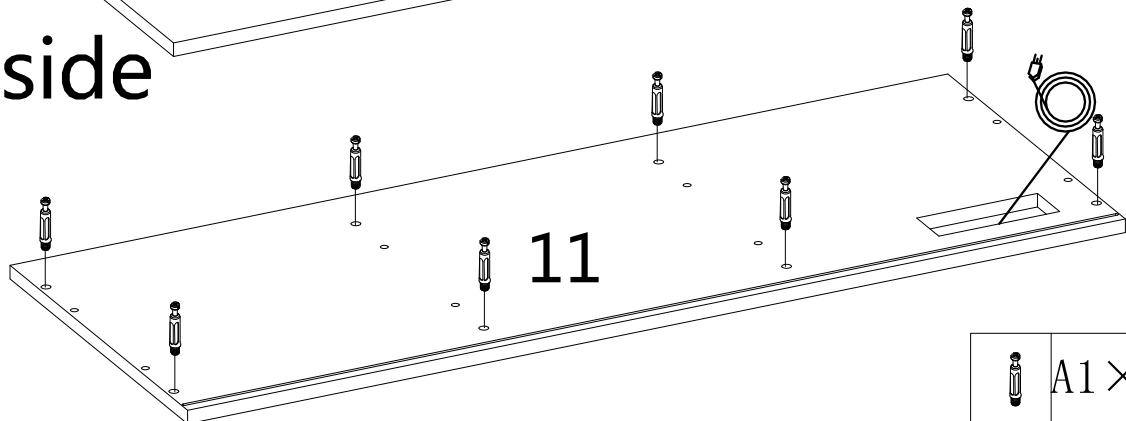
STEP 26






STEP 27



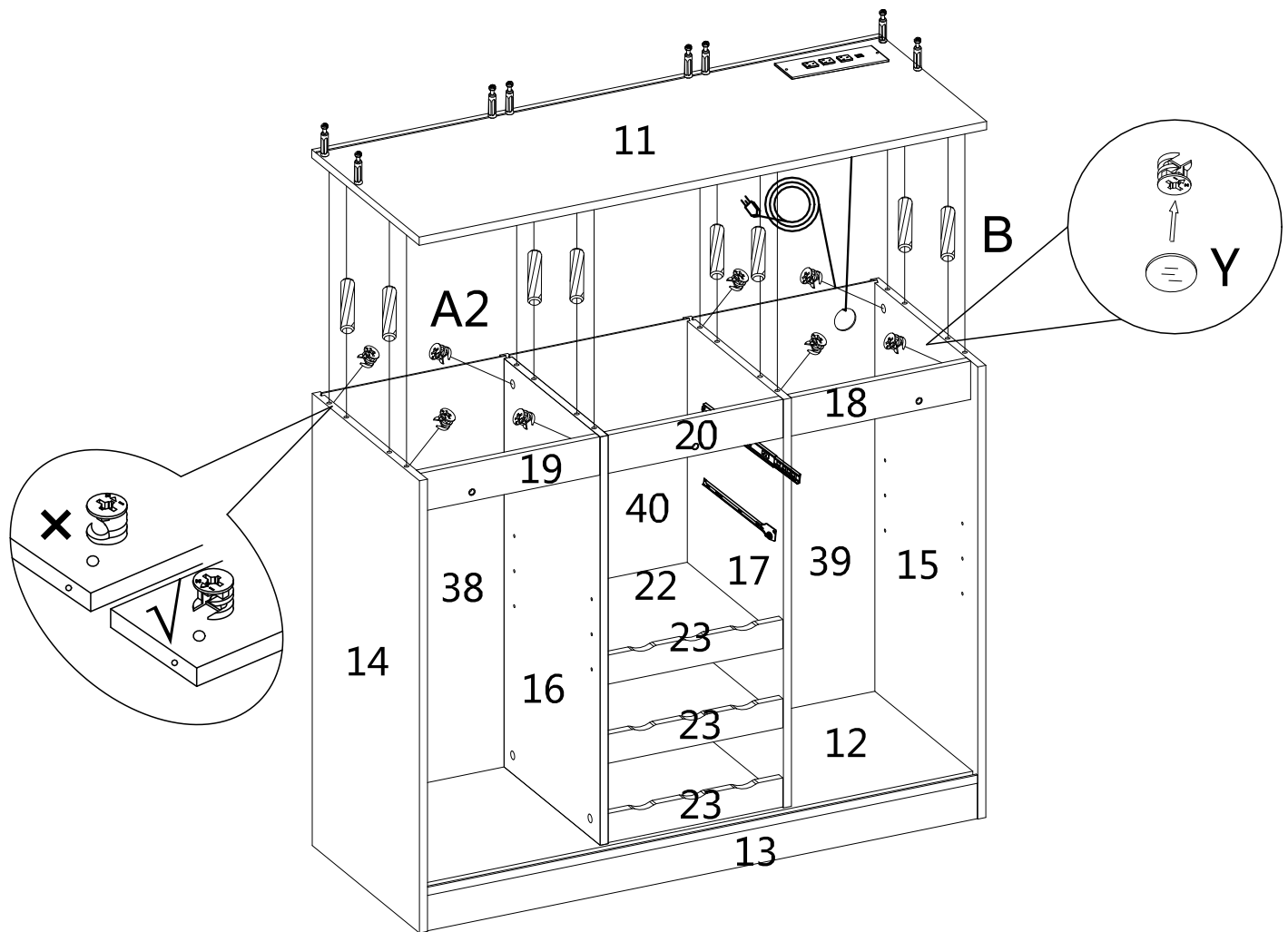
one side






the other side

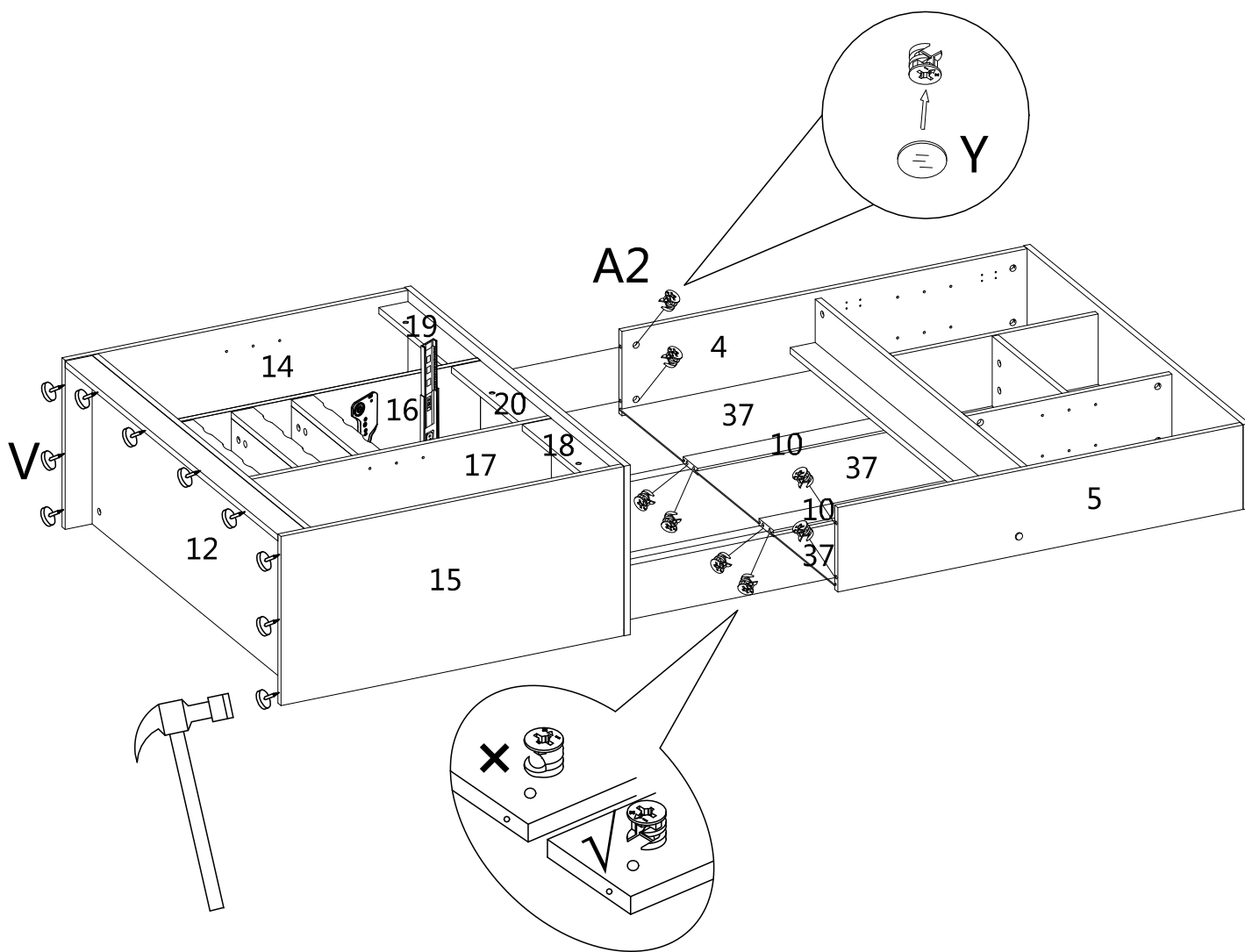
	A1 × 16PCS
	N1 × 1PC
	N2 × 2PCS




STEP 28



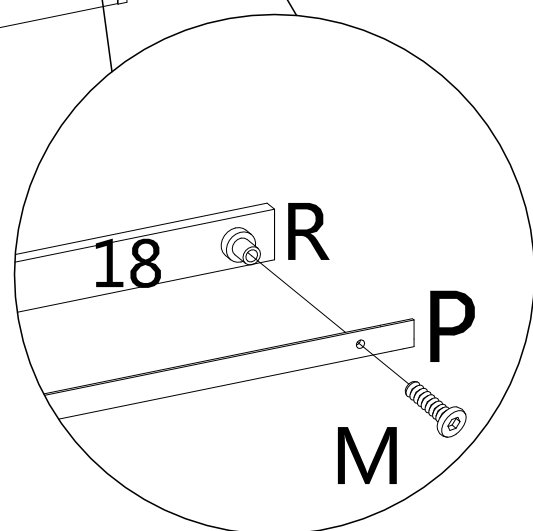
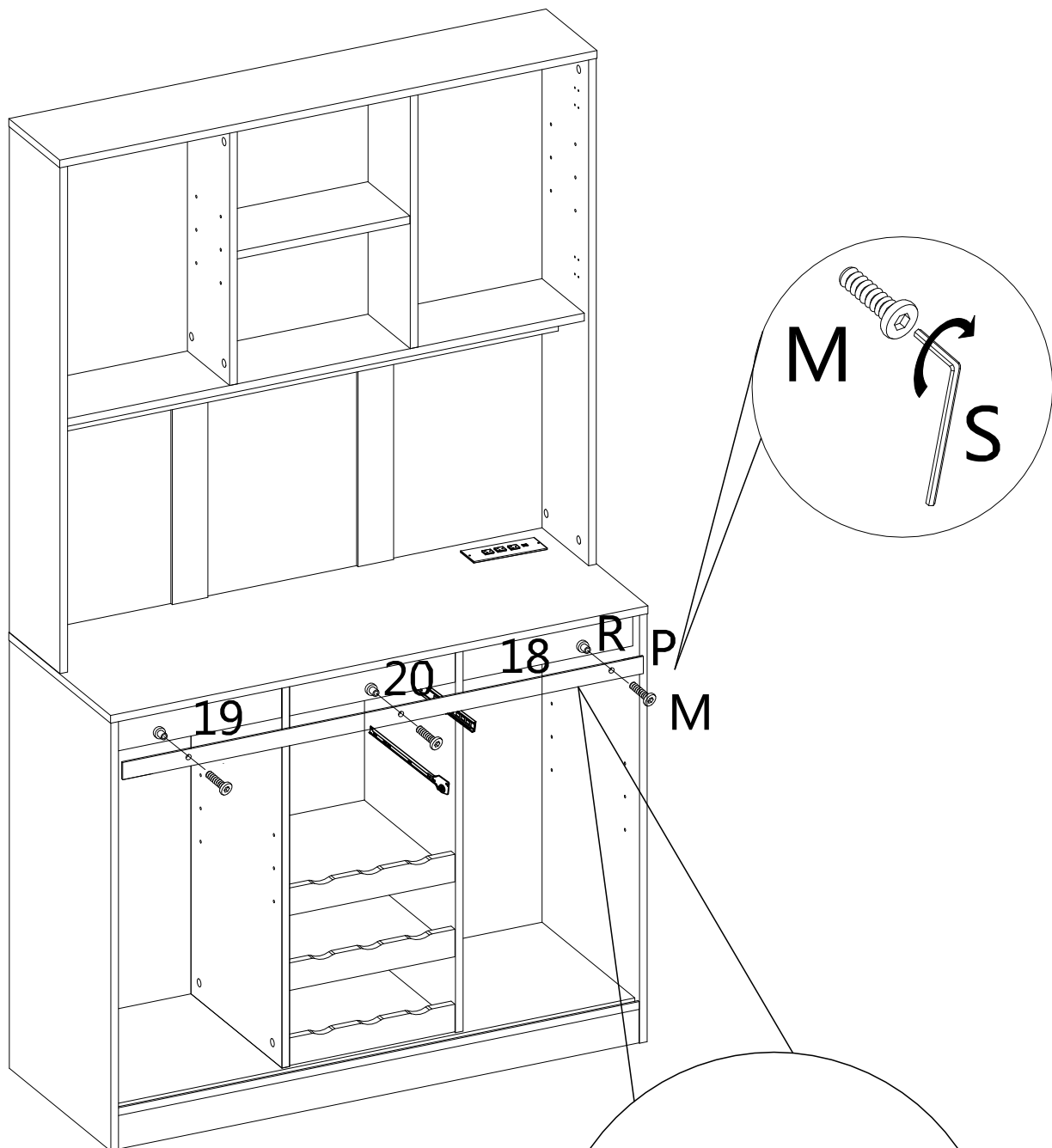
	A2 × 8PCS
	B × 8PCS
	Y × 8PCS



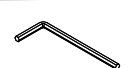

STEP 29



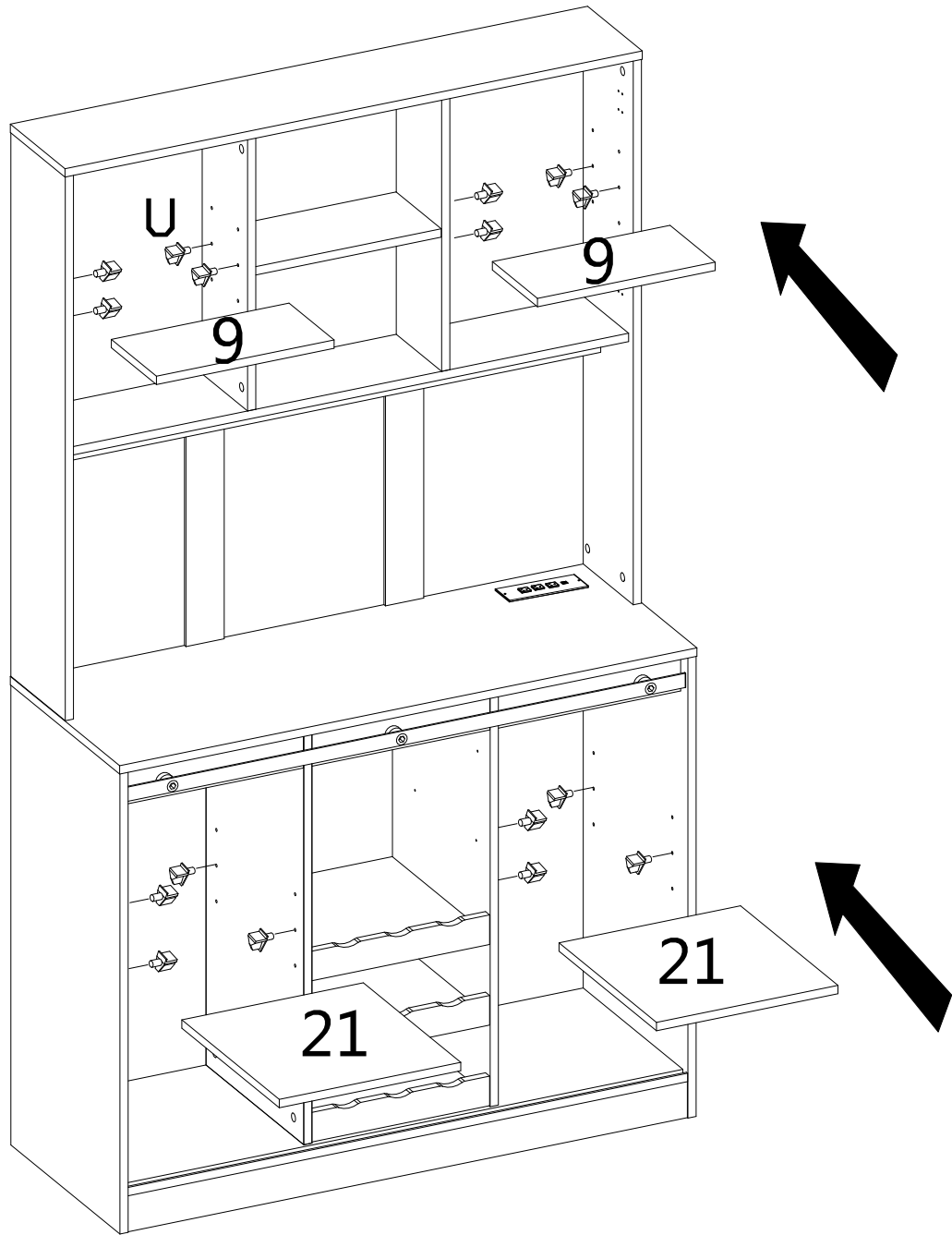
	A2 × 8PCS
	V × 10PCS
	Y × 8PCS

STEP 30



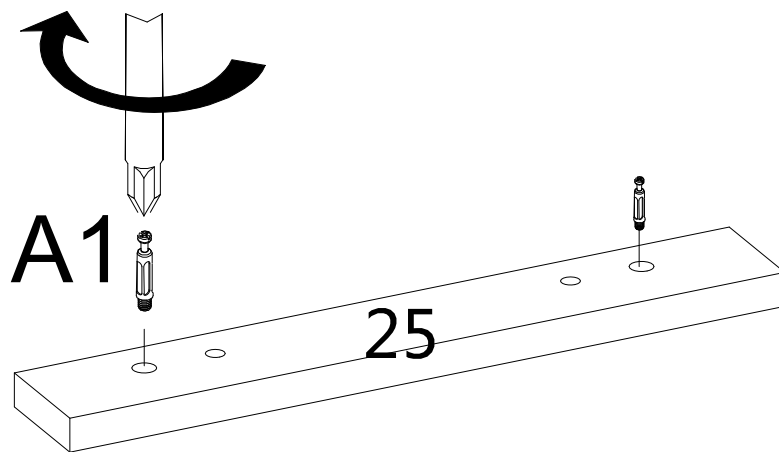
	P × 1PC		R × 3PCS
	S × 1PC		M × 3PCS


STEP 31



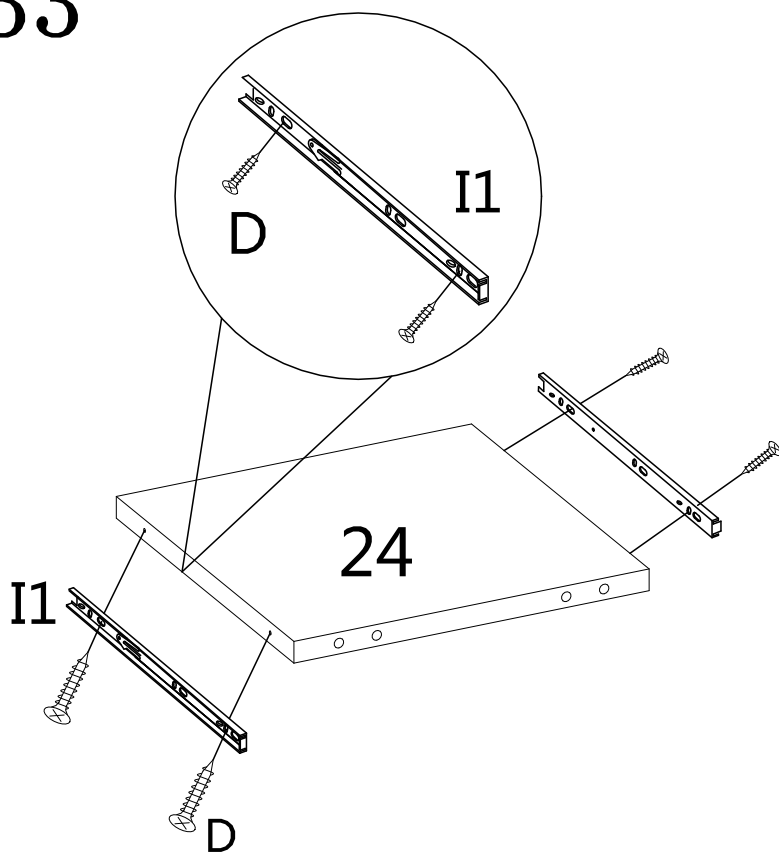
U × 16PCS



STEP 32



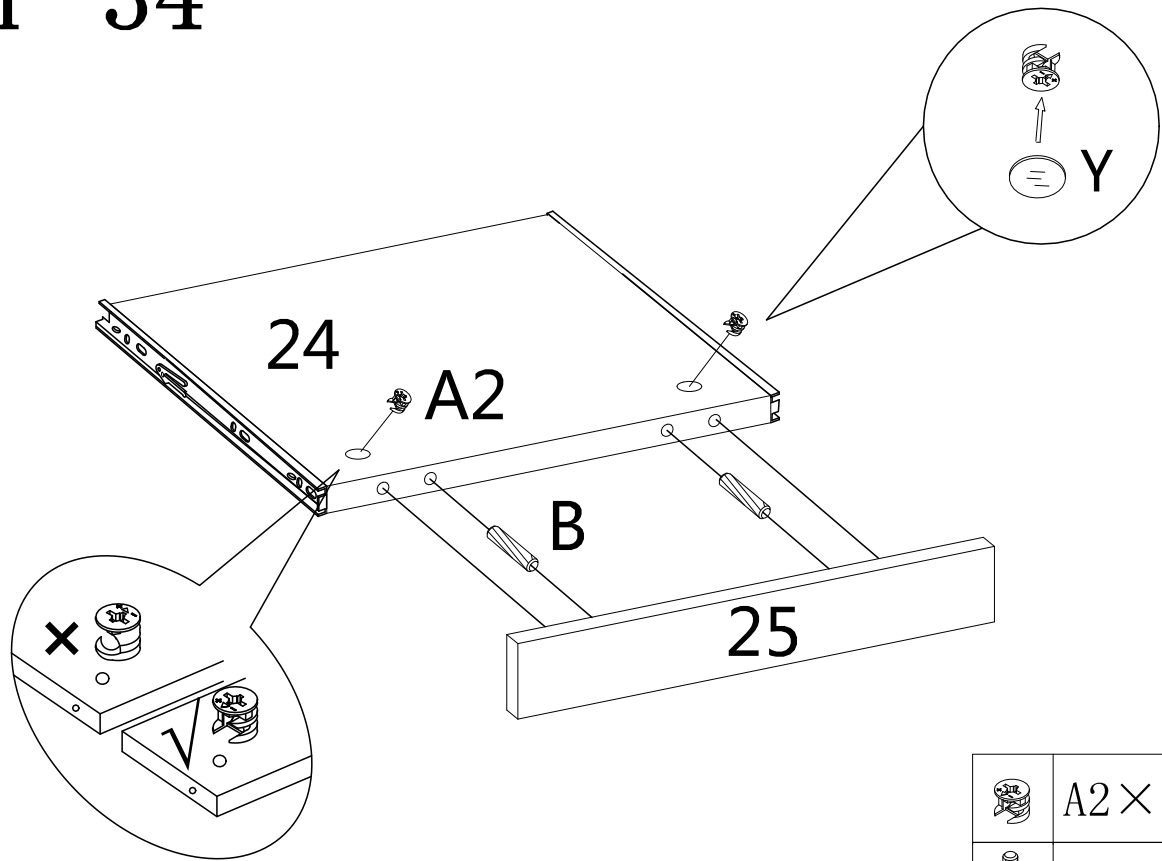
	A1 × 2PCS
---	-----------




STEP 33



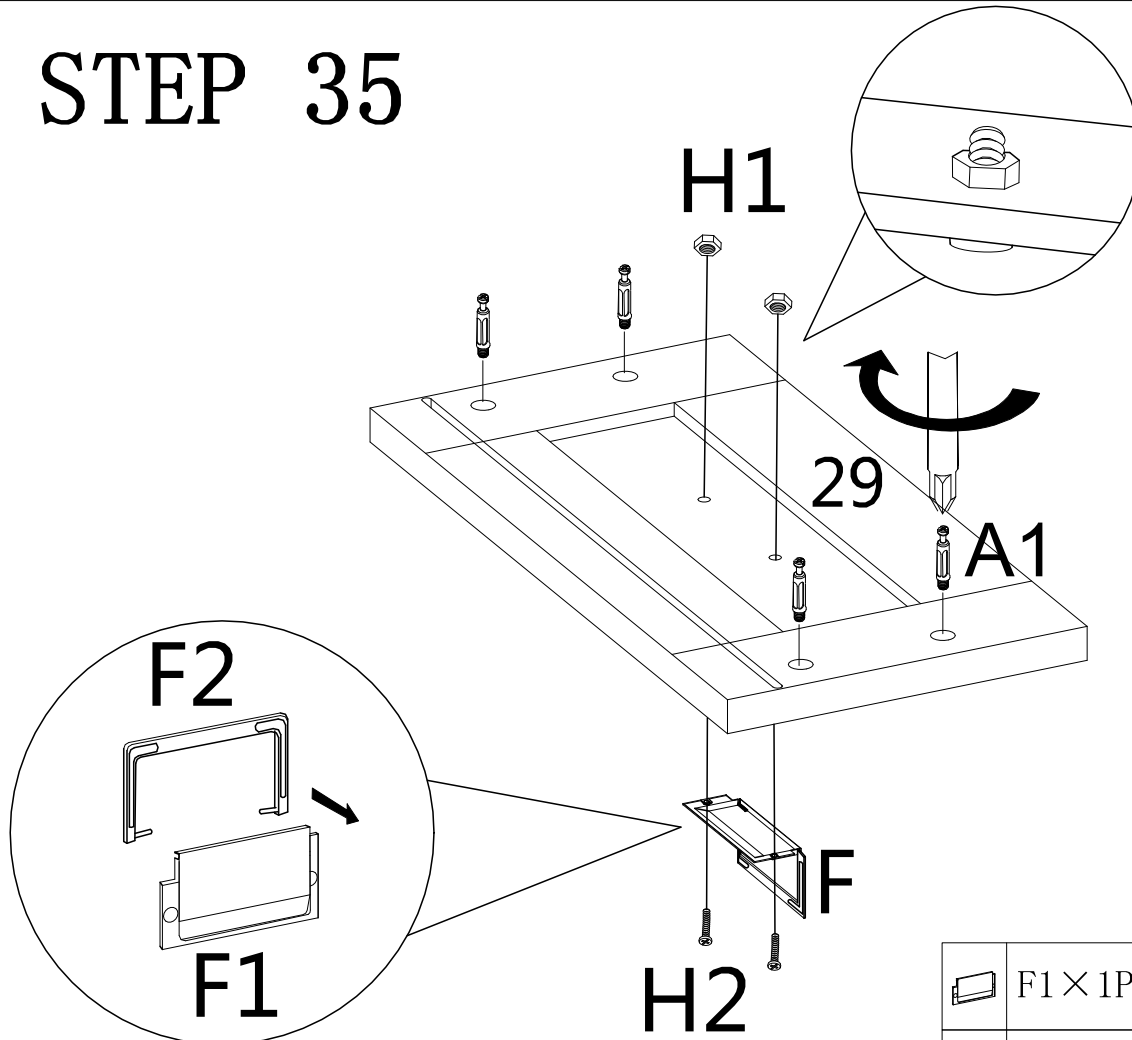
	D × 4PCS
	I1 × 2PCS






STEP 34



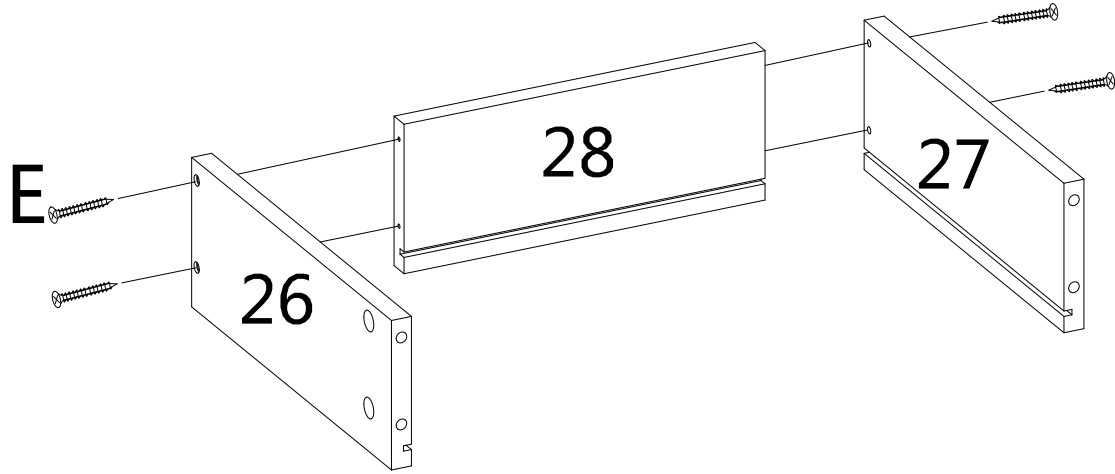
	A2 × 2PCS
	B × 2PCS
	Y × 2PCS

STEP 35

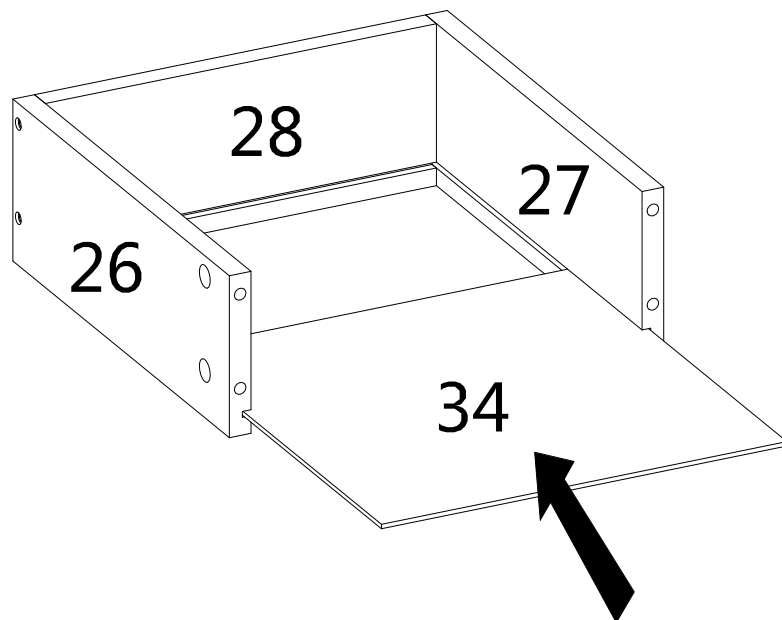


	A1 × 4PCS		
	F1 × 1PC		F2 × 1PC
	H1 × 2PCS		H2 × 2PCS

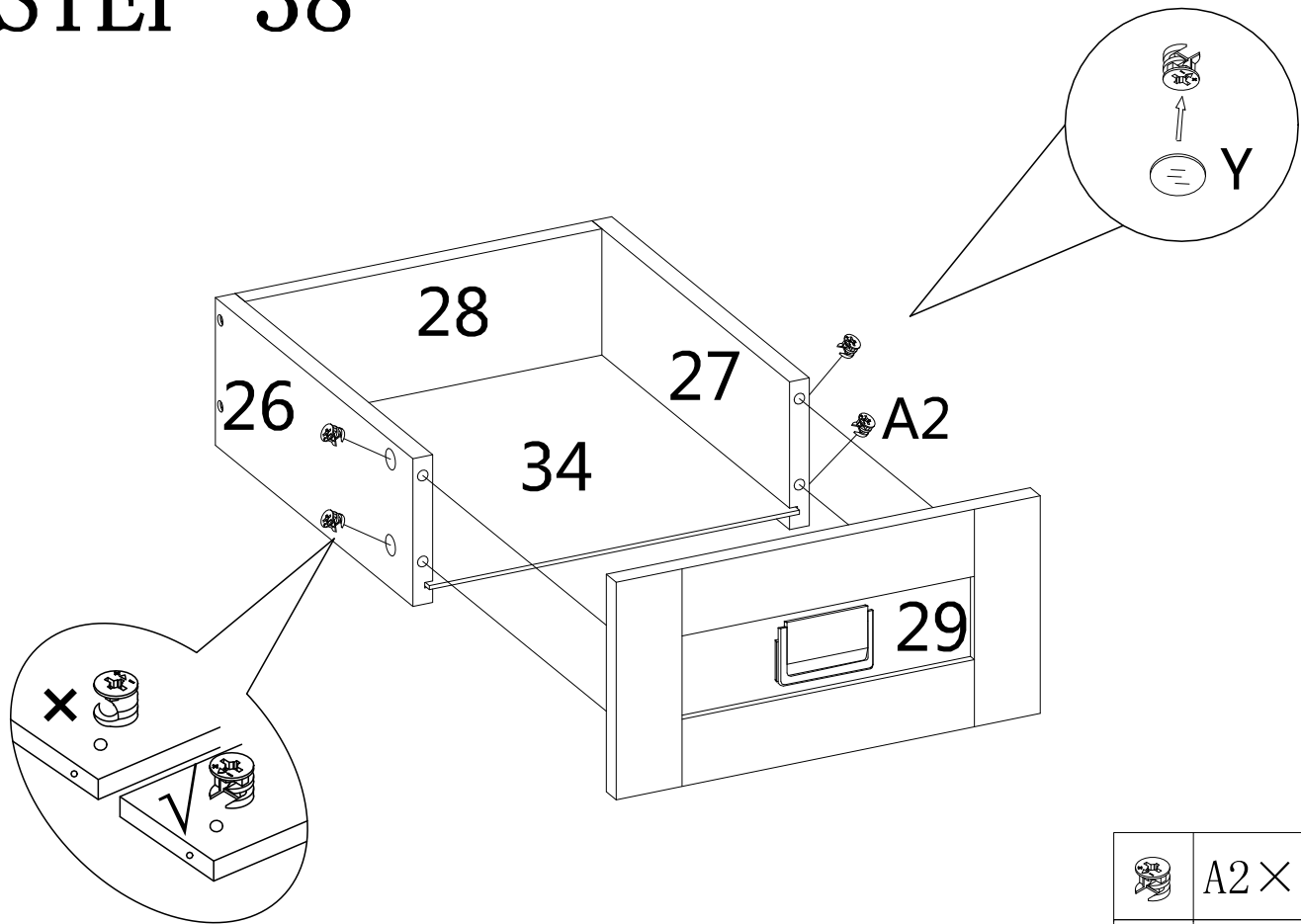
STEP 36





STEP 37

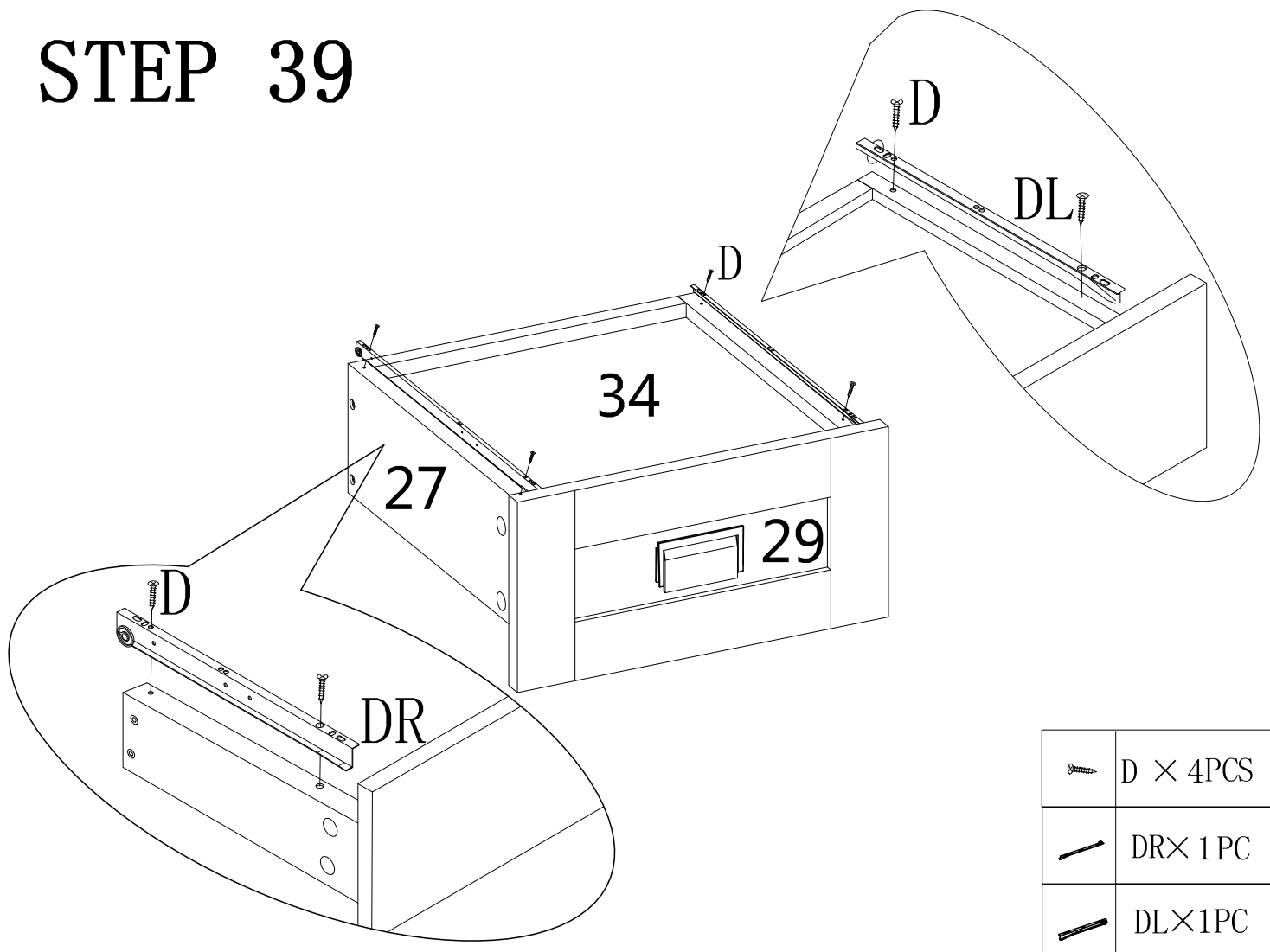





STEP 38



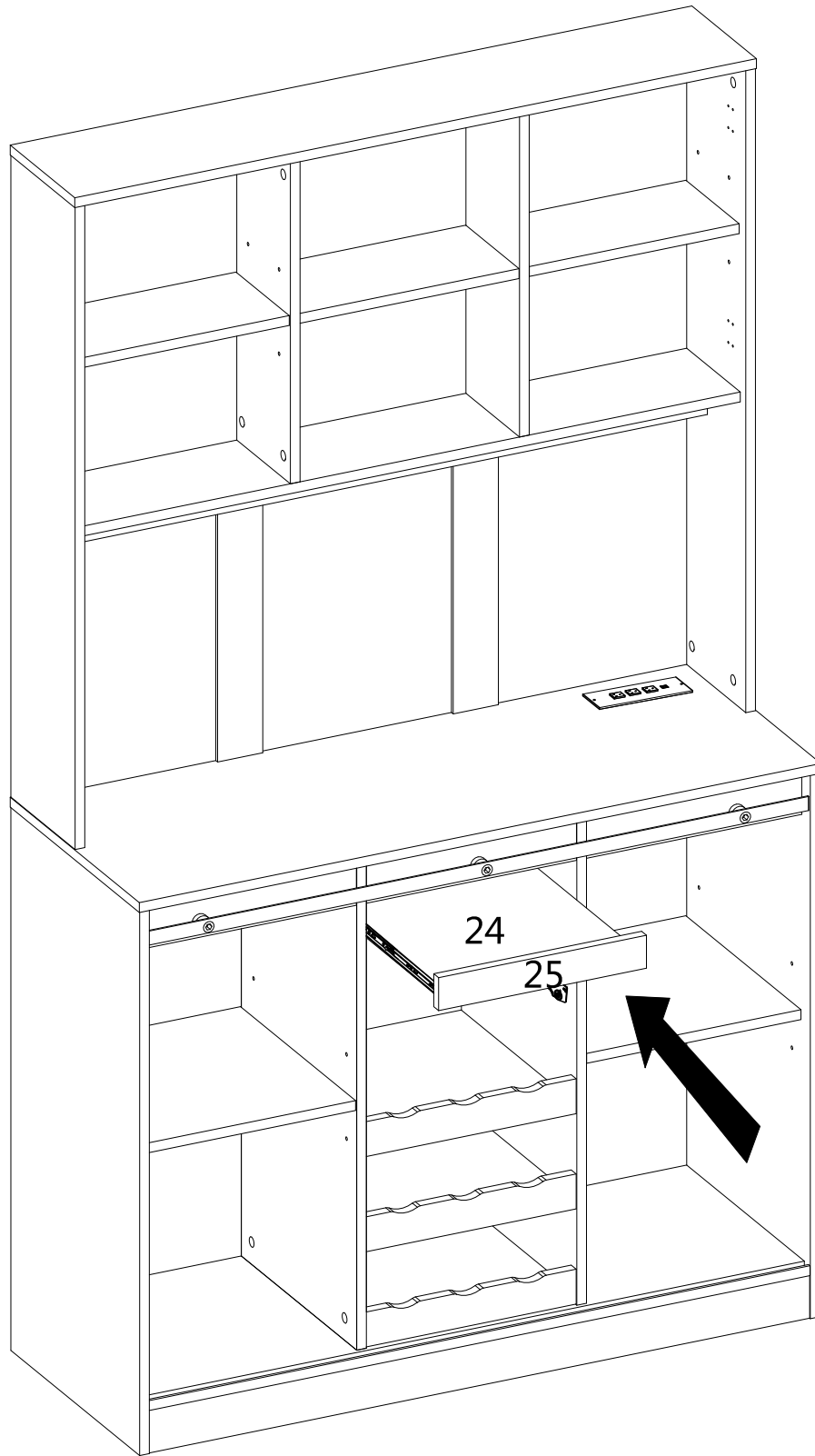
	A2 × 4PCS
	Y × 4PCS

STEP 39

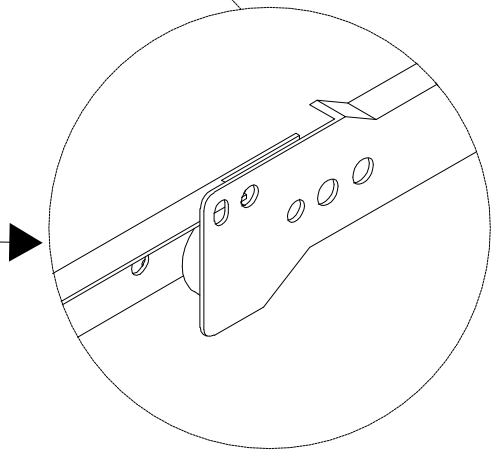
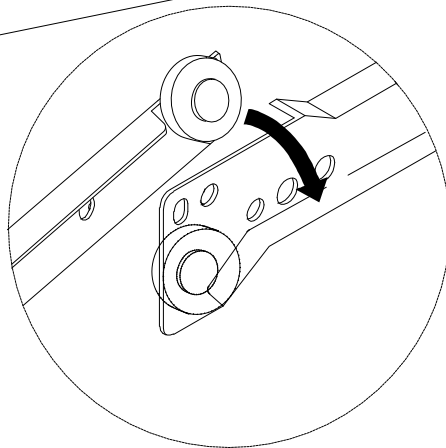
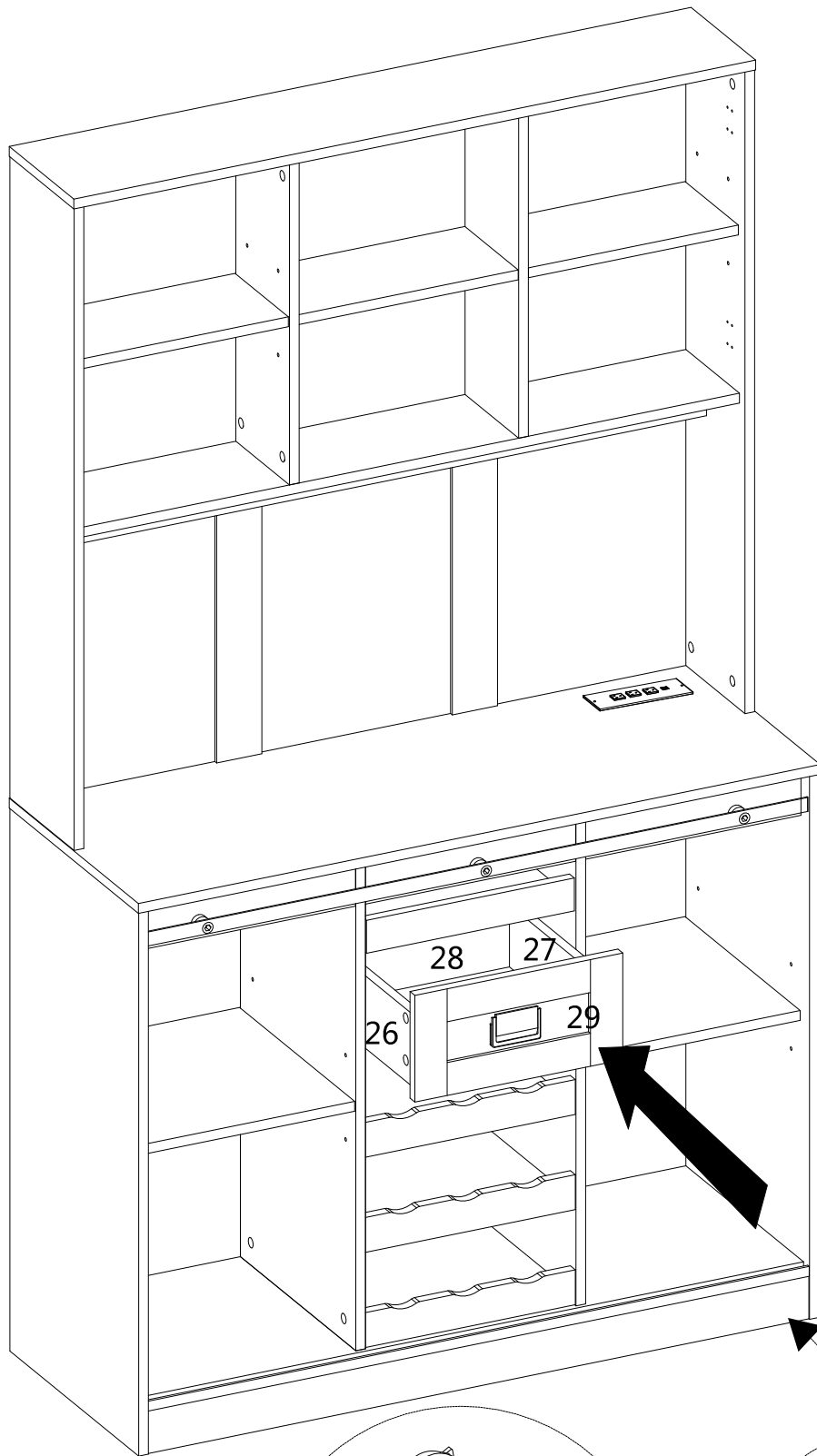


	D × 4PCS
	DR × 1PC
	DL × 1PC

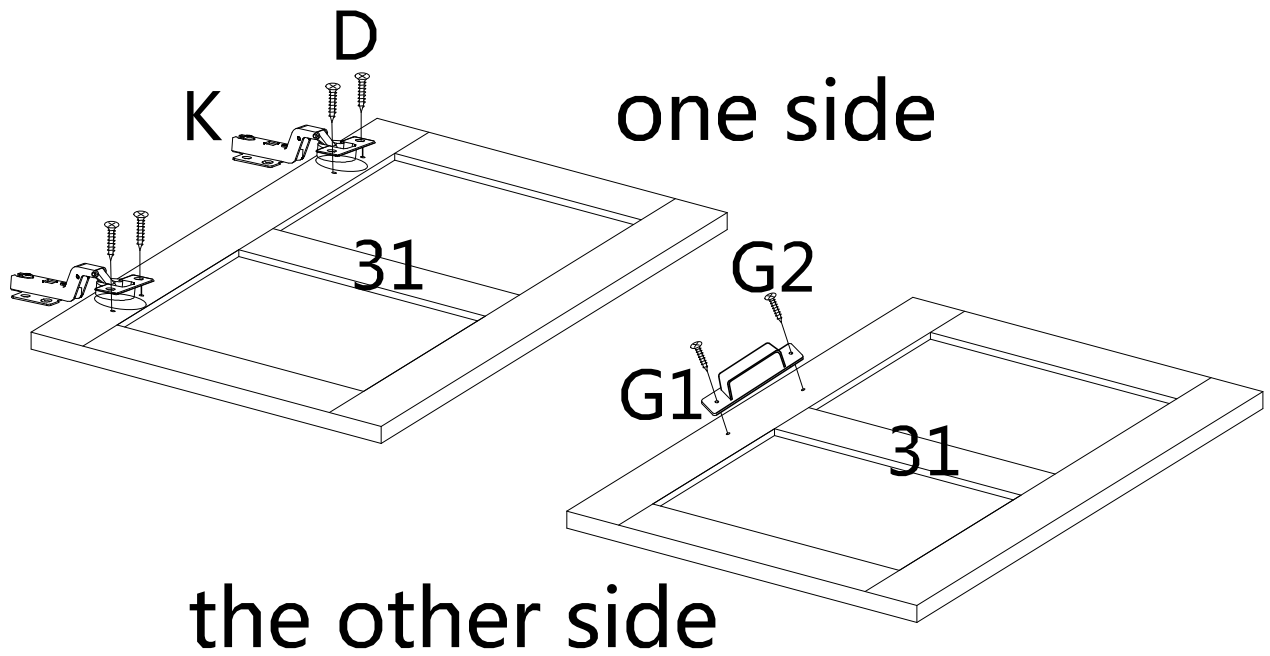
STEP 40







STEP 41

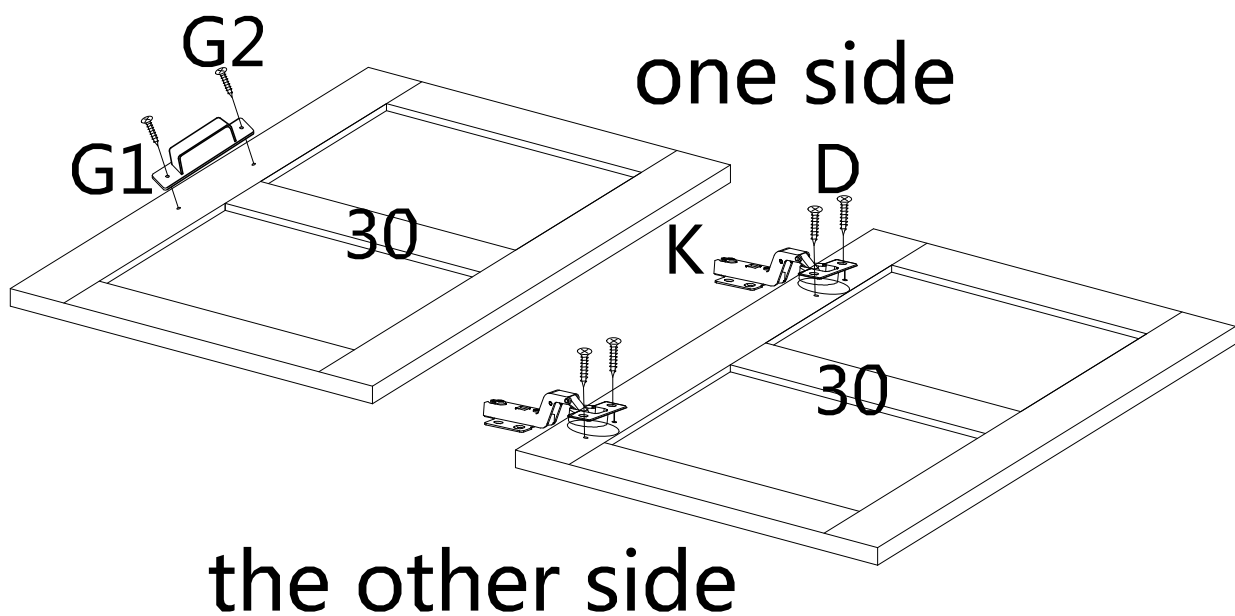






STEP 42



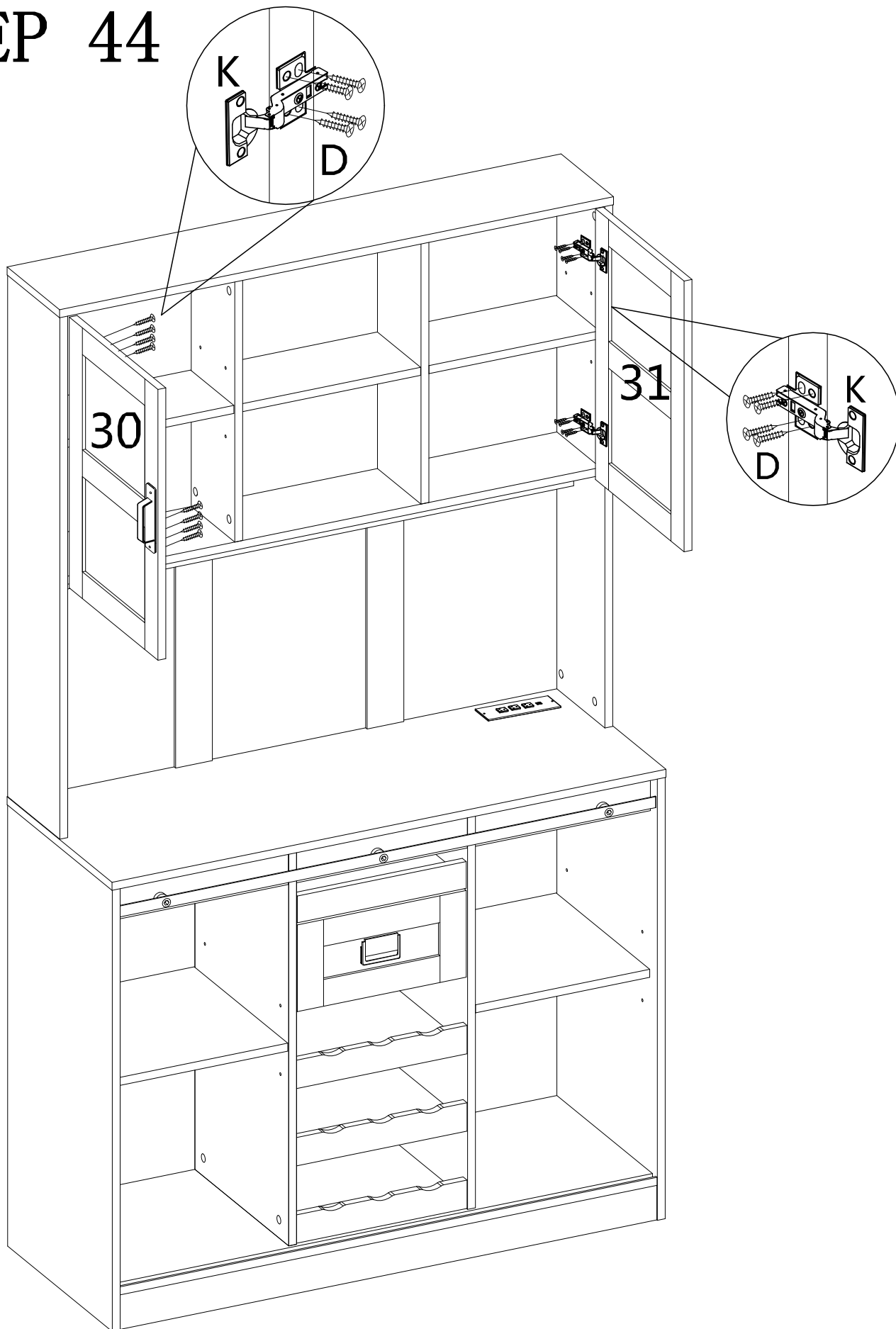
	D × 4PCS		G1 × 1PC
	G2 × 2PCS		T × 2PCS

STEP 43



	D × 4PCS		G1 × 1PC
	G2 × 2PCS		T × 2PCS

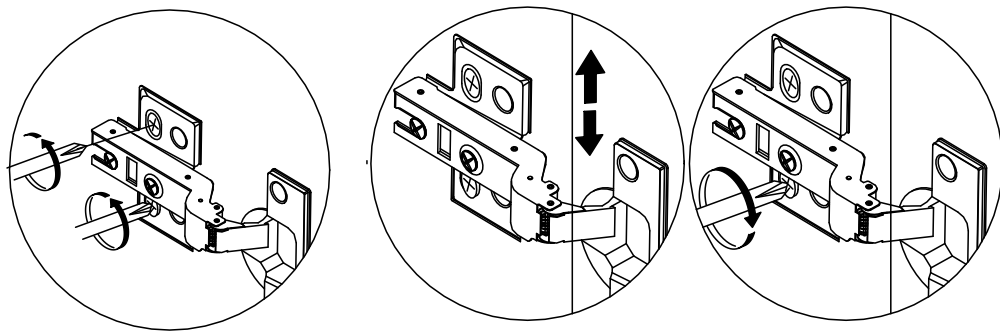
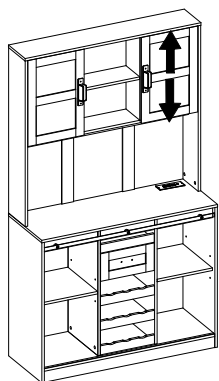
STEP 44



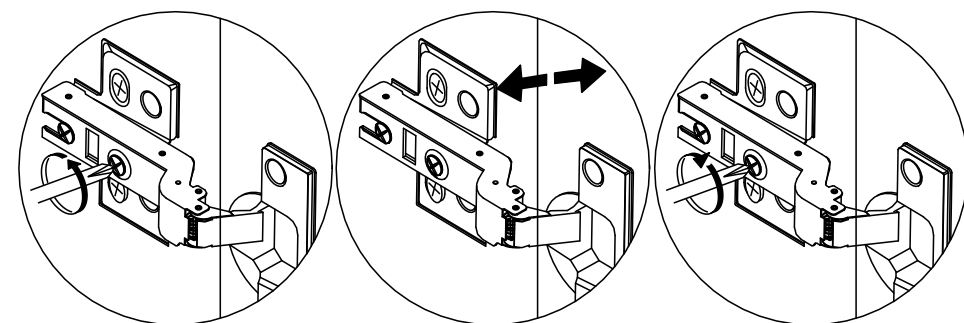
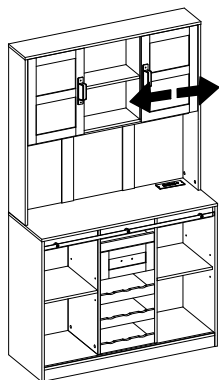
D × 16PCS

STEP 45

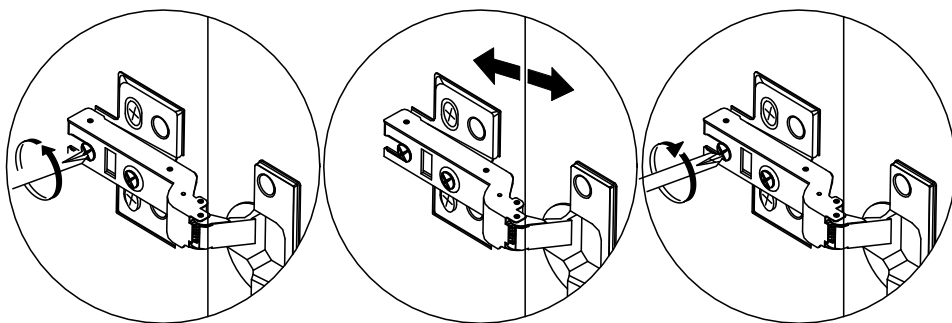
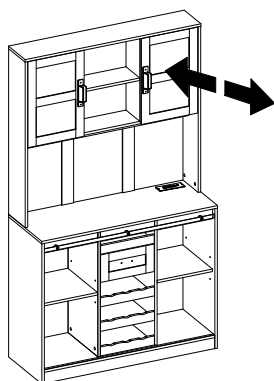
Cabinet door up and down fine adjustment



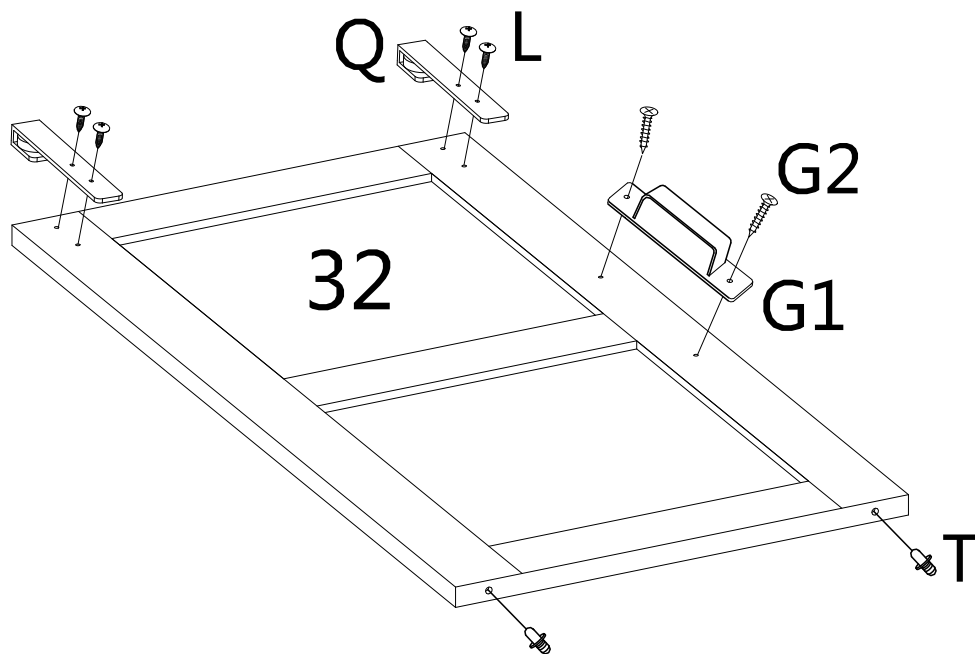
Cabinet door left and right fine adjustment








Fine-tune the gap after the cabinet door is closed

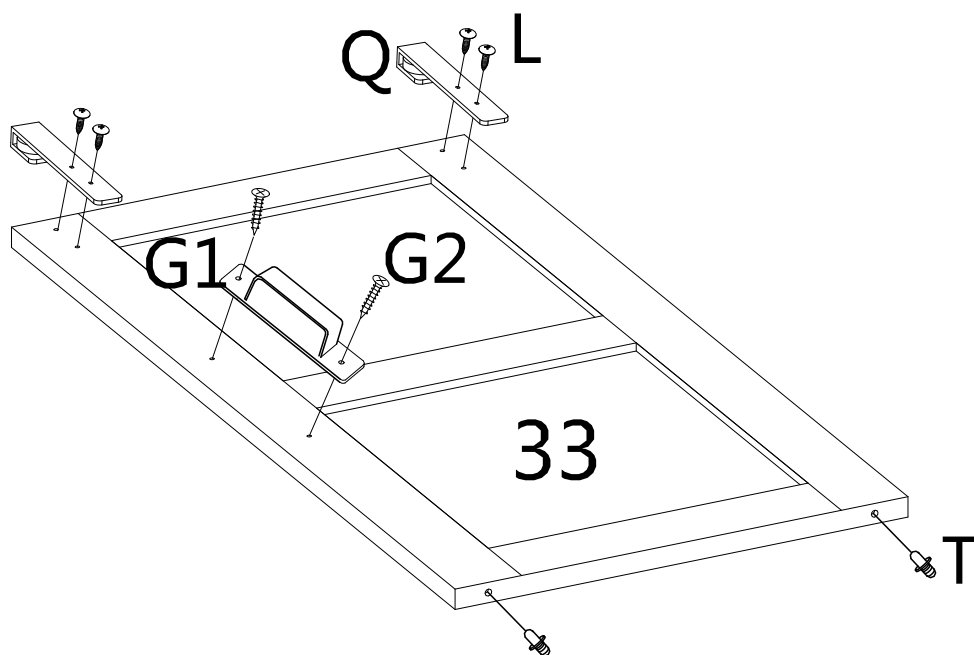







STEP 46



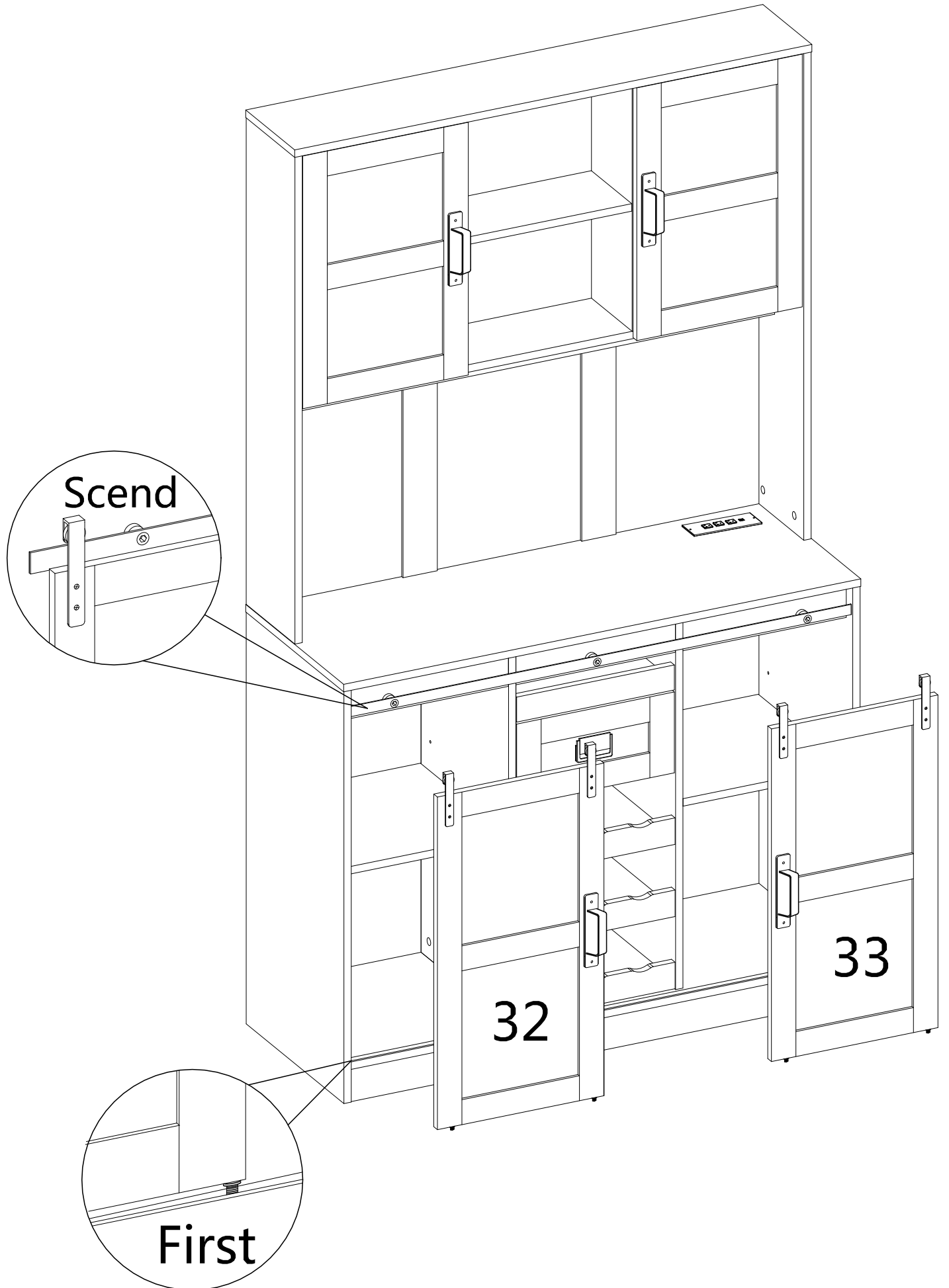
	L × 4PCS
	Q × 2PCS
	G1 × 1PC
	G2 × 2PCS
	T × 2PCS

STEP 47

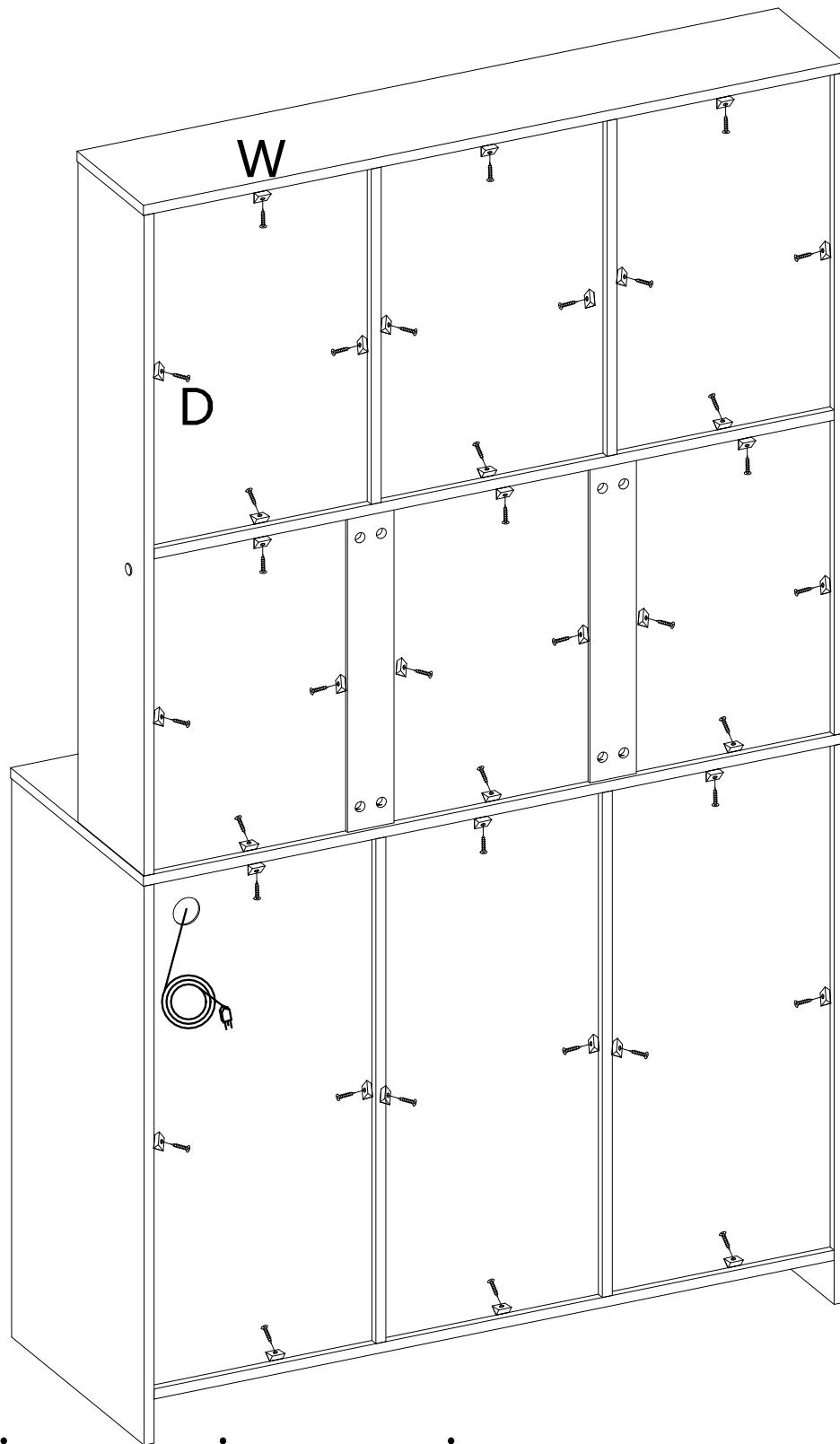


	L × 4PCS
	Q × 2PCS
	G1 × 1PC
	G2 × 2PCS
	T × 2PCS



STEP 48



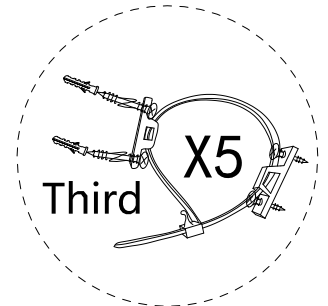
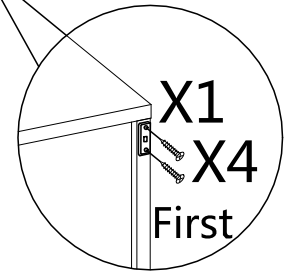
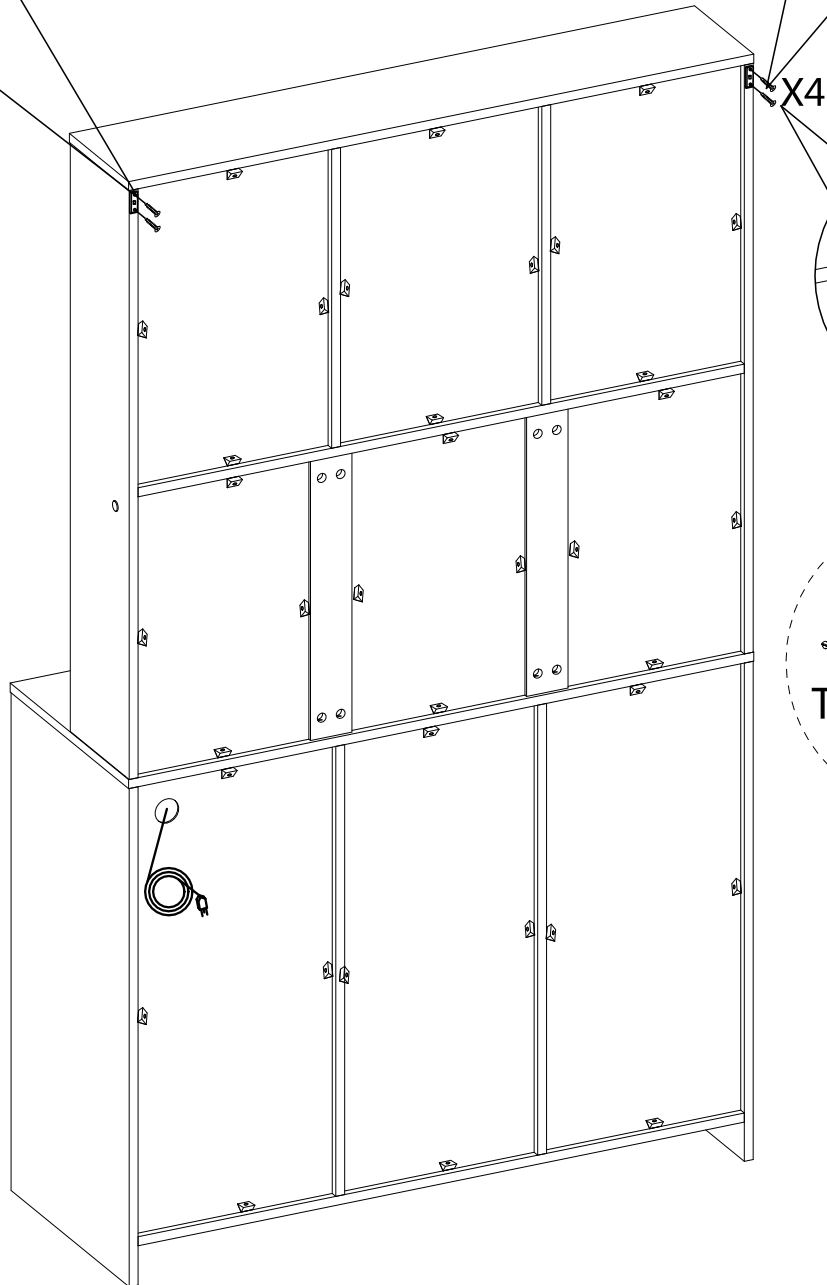
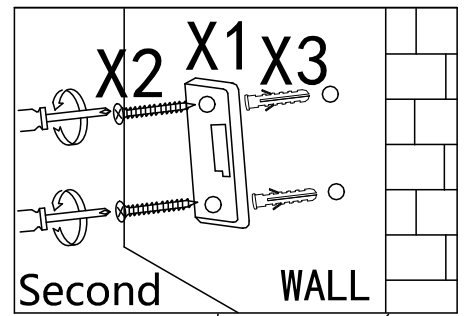
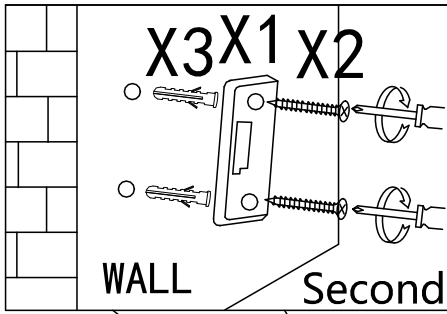
STEP 49



This step is very important to prevent the product from shaking

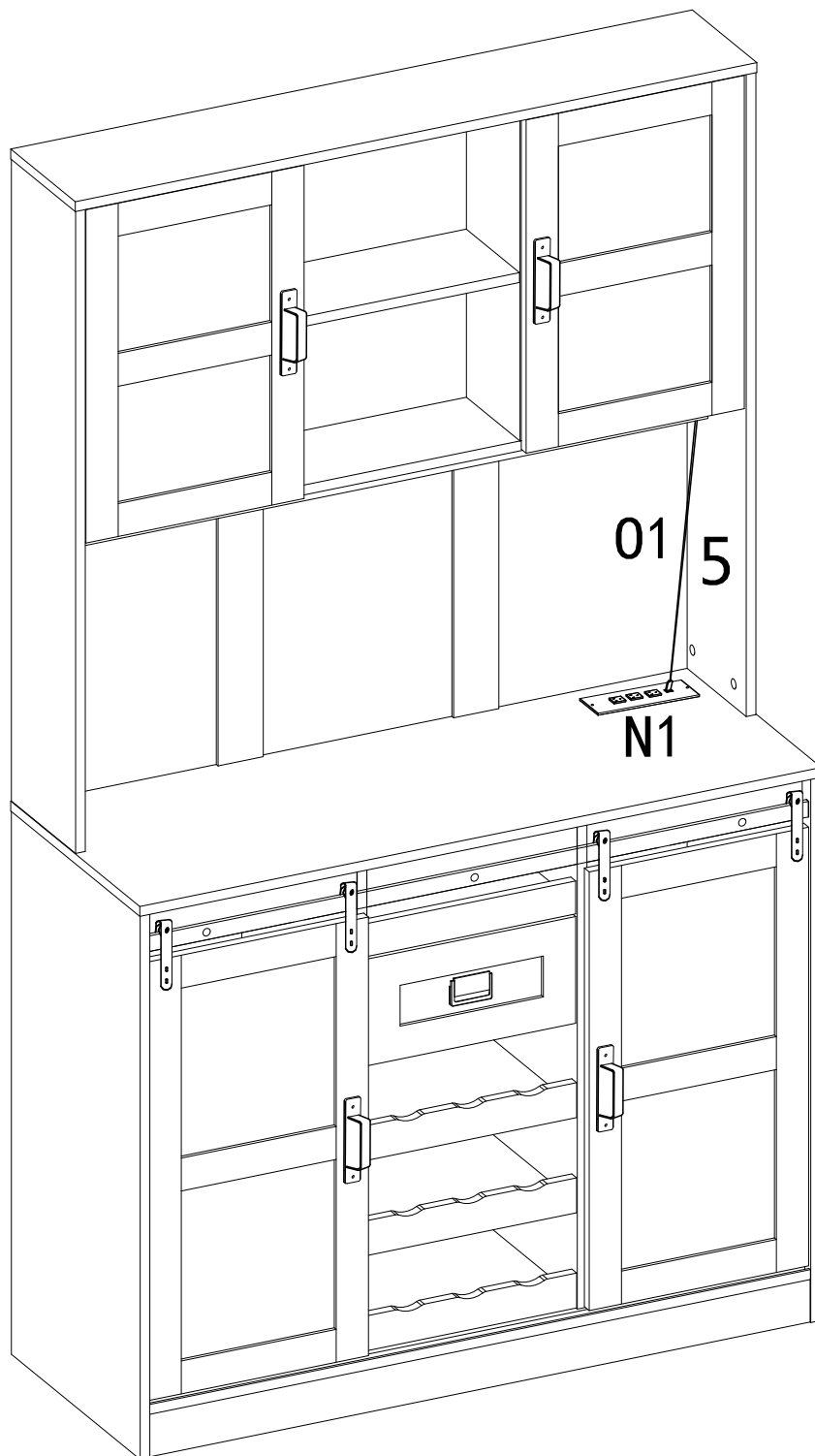
	D × 36PCS
	W × 36PCS

STEP 50



	X1		X2	X × 2PCS
	X5			
	X4		X3	

STEP 51



O1 and N1 are connected;

Touch the induction switch control light belt on panel 5