

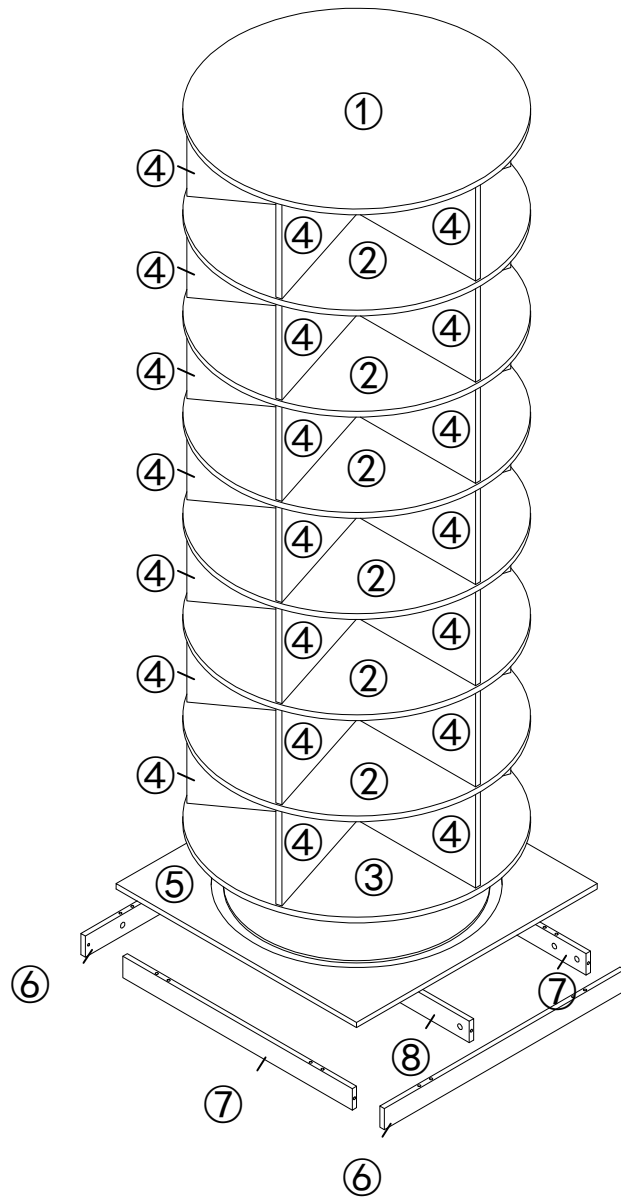
## *EN*

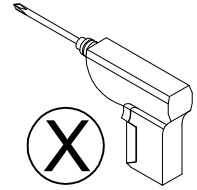
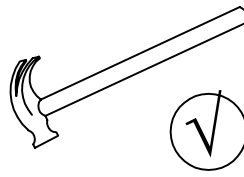
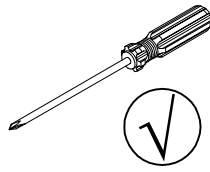
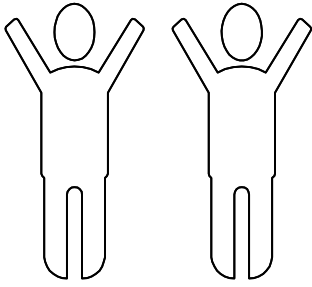
Thank you for purchase on our products, please contact us if you have difficulty with assembly or need replacement parts. customer service will assist you.





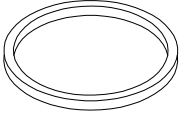


## *WARNING*

Serious or fatal injury may occur from unexpected assembly or use.

1. During the assembly process, keep all parts away from babies or children.
2. Always securely fix this product to the wall. Make sure the wall area to be drilled is free from hidden electrical wires<sup>^</sup> water and gas pipes.
3. Use of tip-over restraints may only reduce<sup>^</sup> but not eliminate the risk of tip-over.
4. Unless specially designed to accommodatej do not set heavy objects on top of this product.
5. Place the heaviest items on the lowest shelf.
6. Never allow children to climb or bang on drawers, doors or shelves.

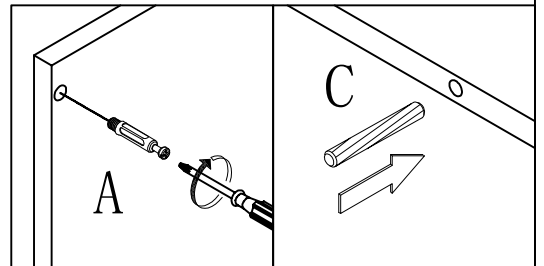
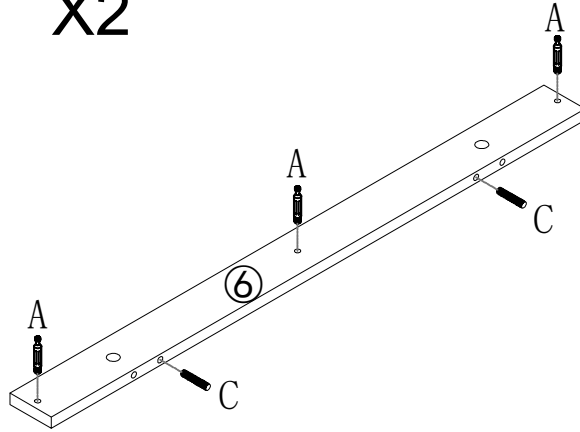


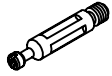



<b>A</b>  18PCS	<b>B</b>  18PCS	<b>C</b>  30PCS	<b>D</b>  64PCS
<b>E</b>  1PCS	<b>F</b>  3PCS	<b>G</b>  10PCS	

# STEP1

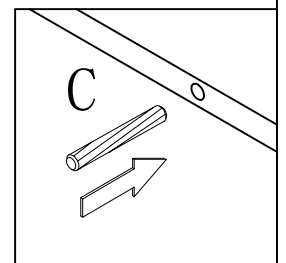
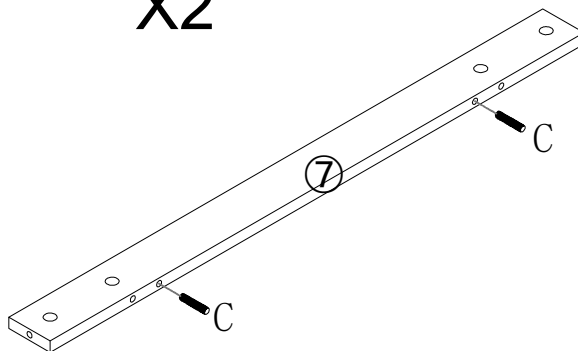
X2




	Ax6pcs
	Cx4pcs

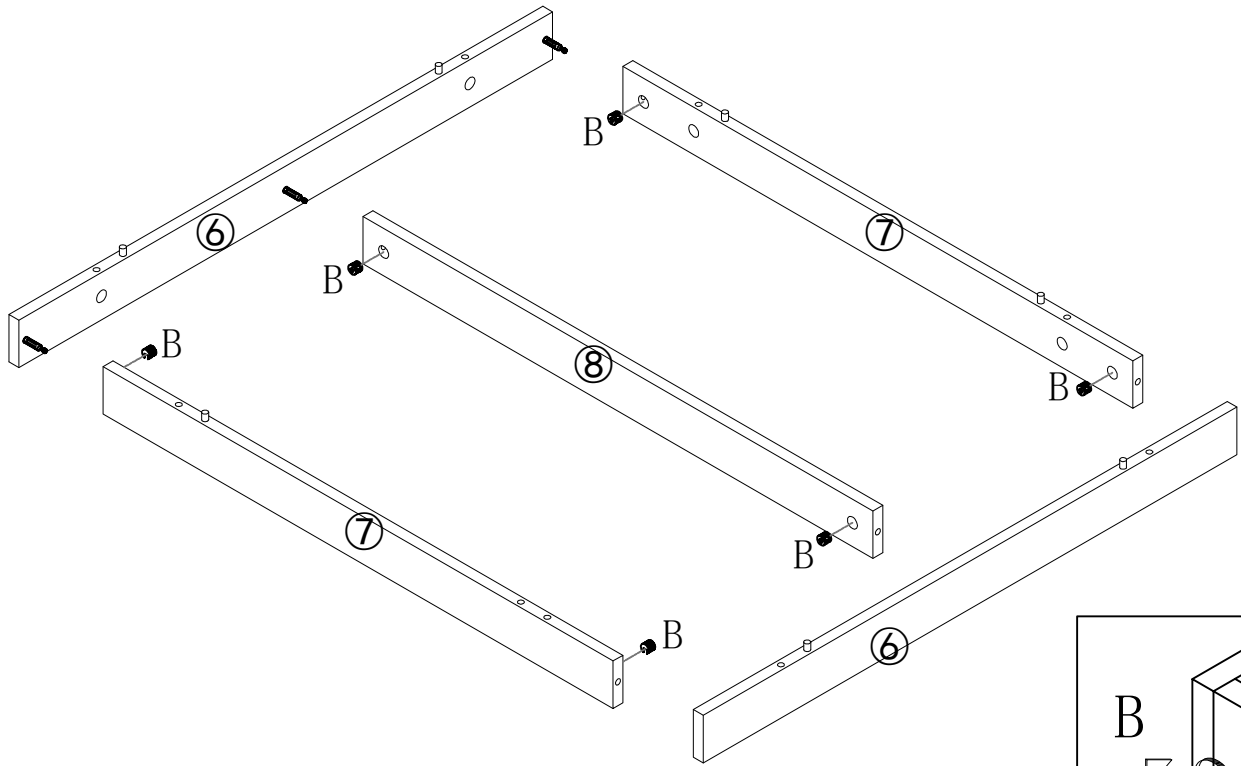
# STEP2

X2



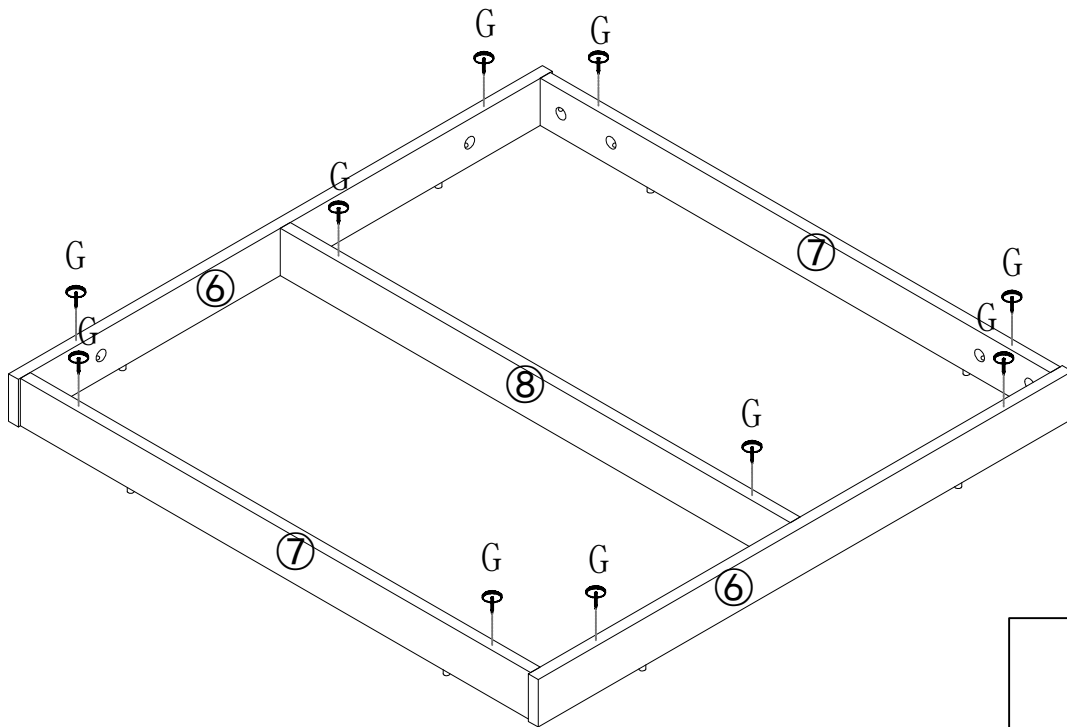
	Cx4pcs
---	--------

### STEP3



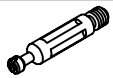
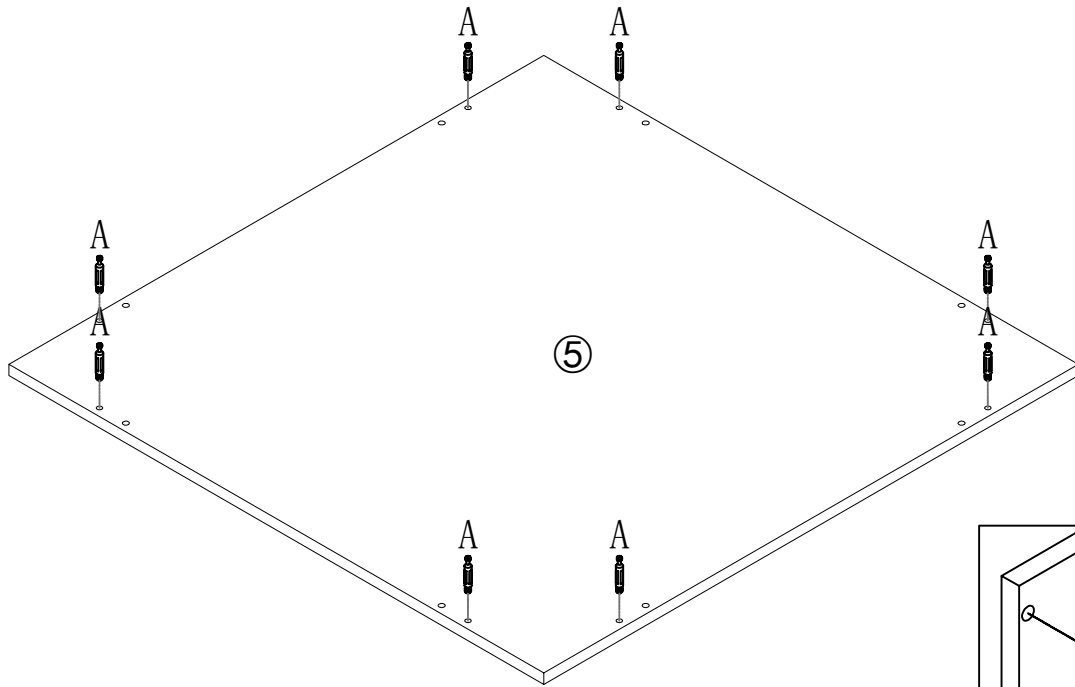
Bx6pcs

### STEP4

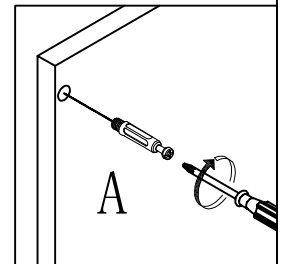


Gx10pcs

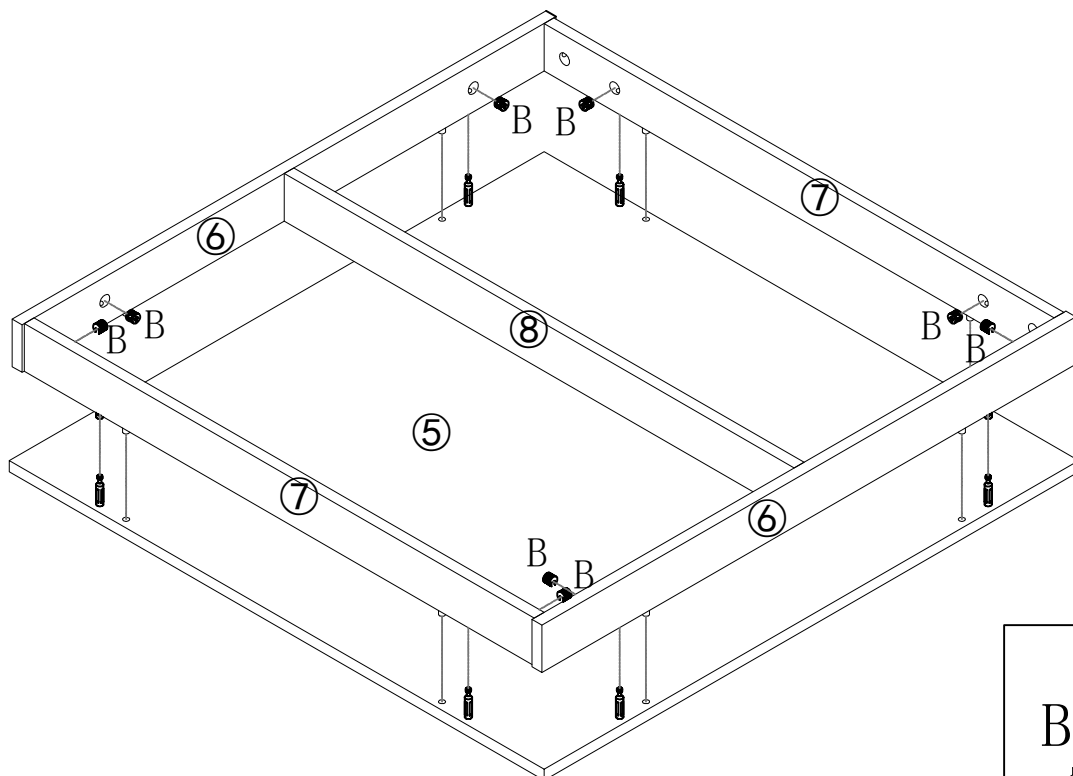
# STEP5



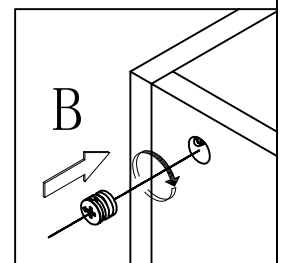
Ax8pcs



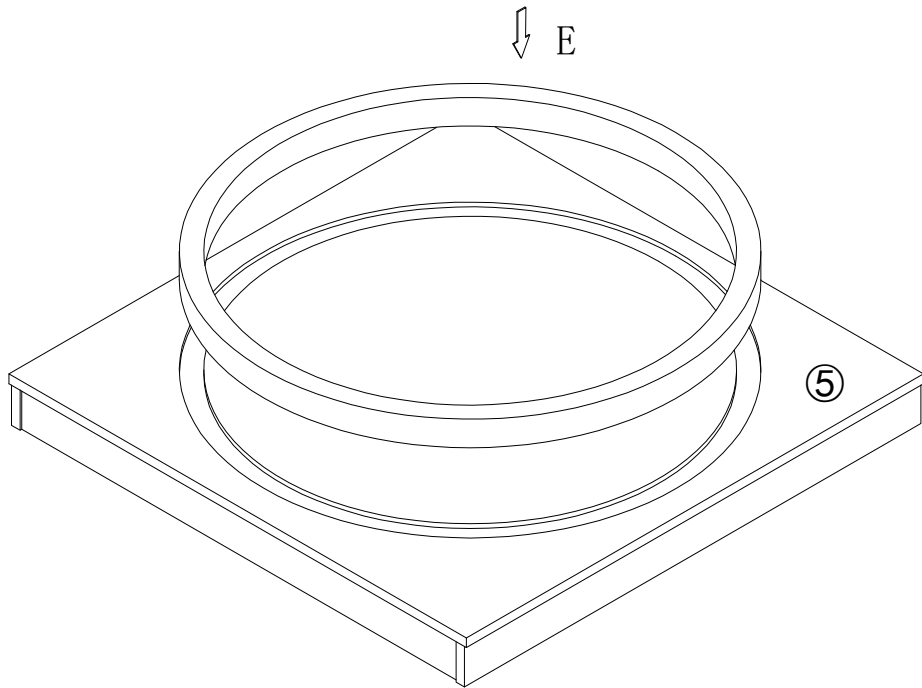
# STEP6



Bx8pcs

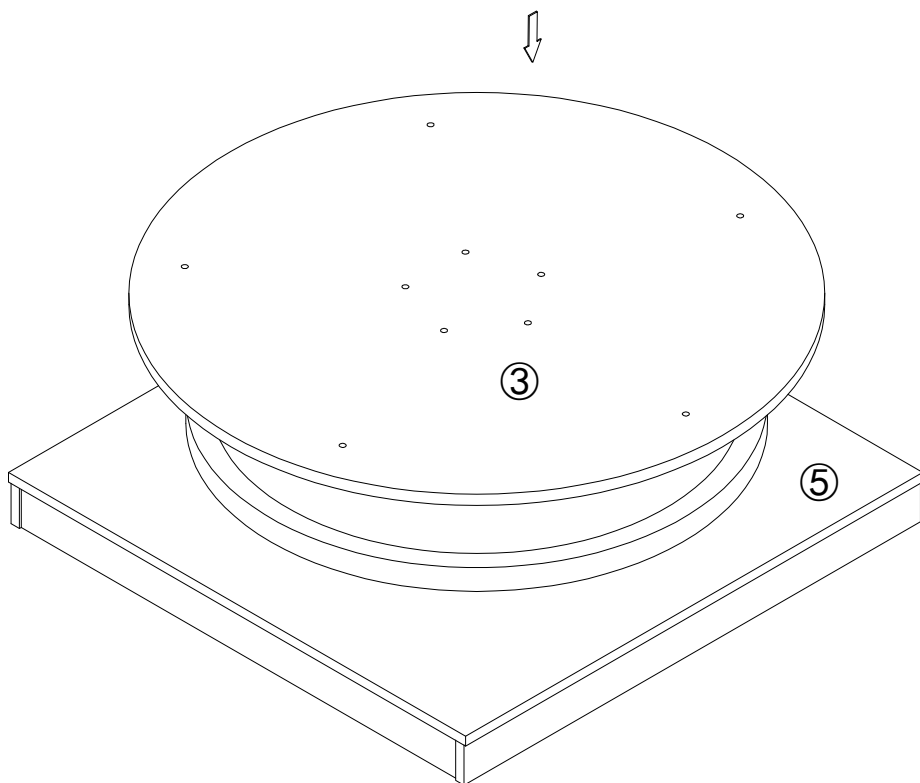


STEP7



Ex1pcs

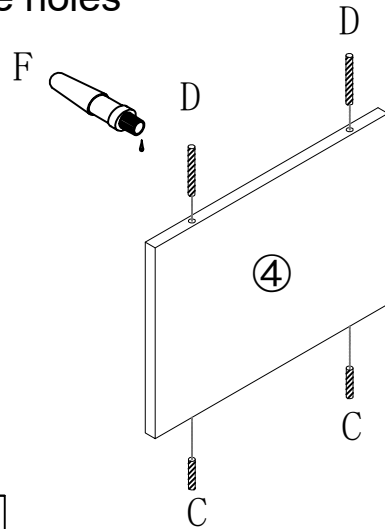
STEP8




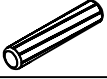



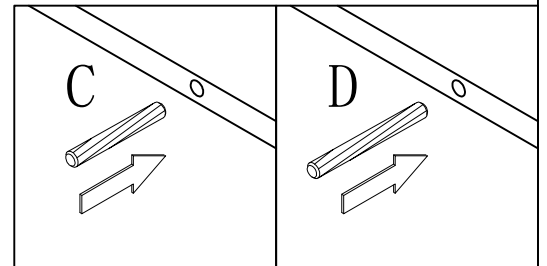
## STEP9

paint glue to wooden  
plug, then fix into the holes

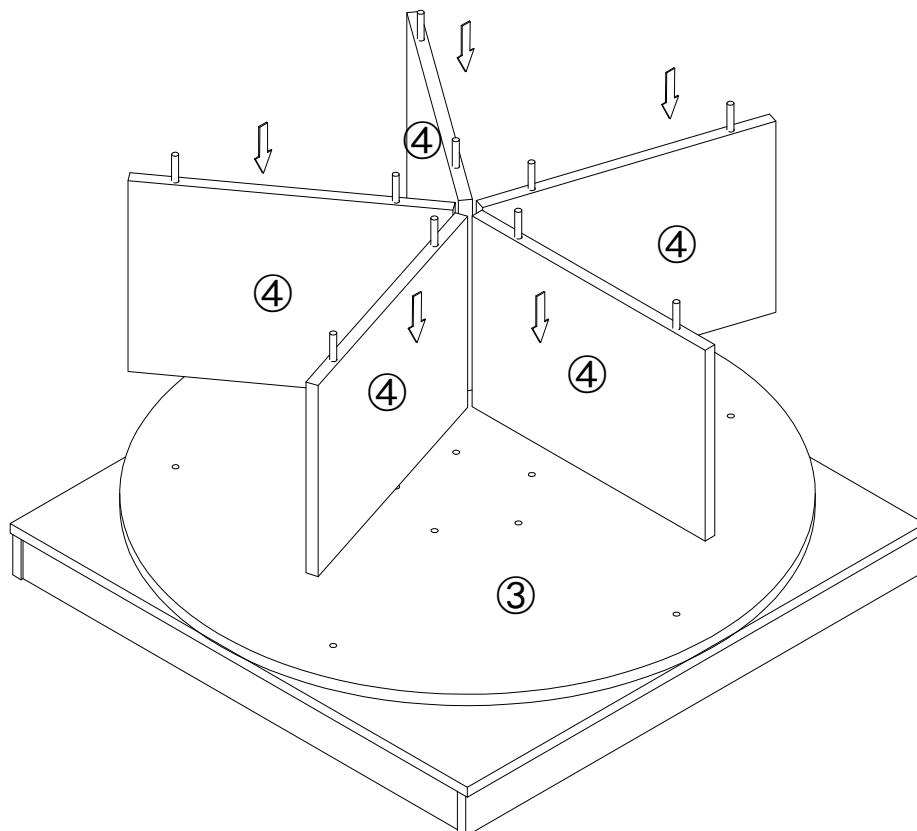


X5

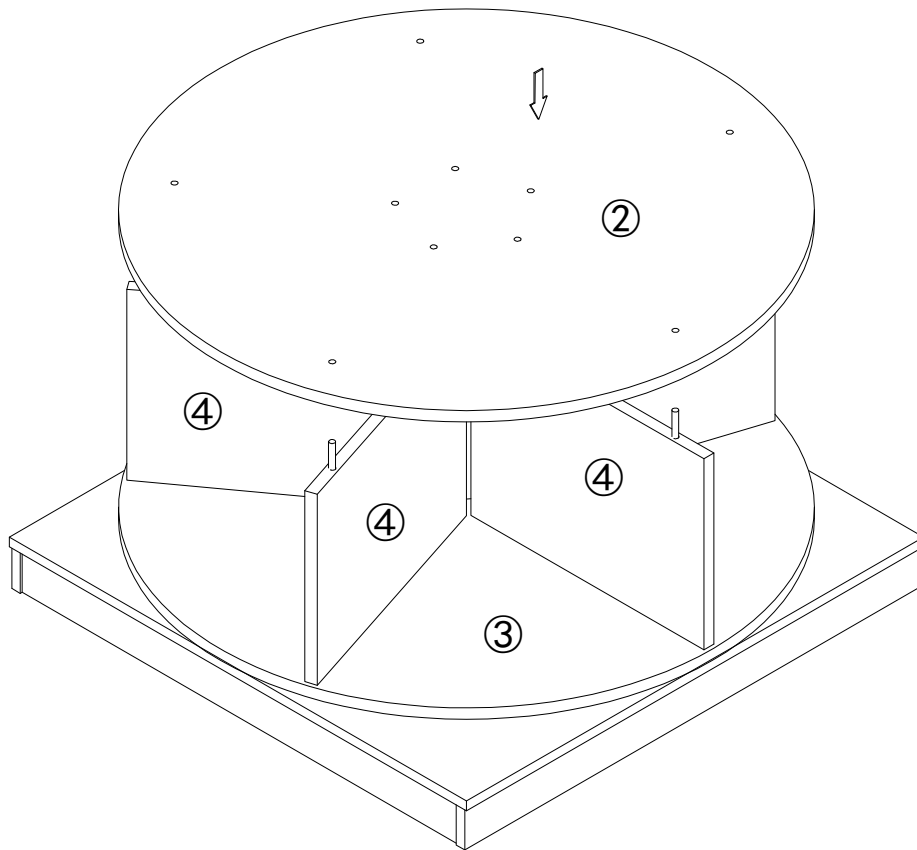
	Cx10pcs
	Dx10pcs
	Fx1pcs



## STEP10

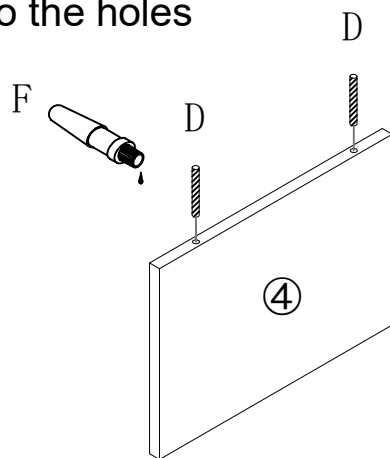


# STEP11





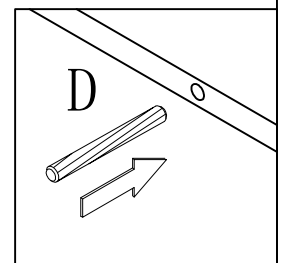
# STEP12

paint glue to wooden  
plug, then fix into the holes

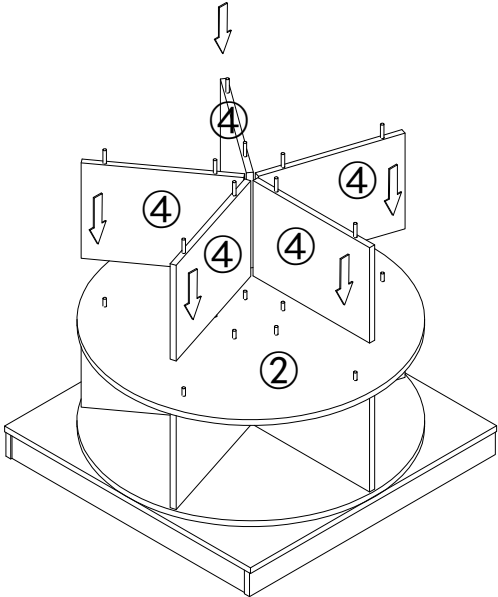


X25

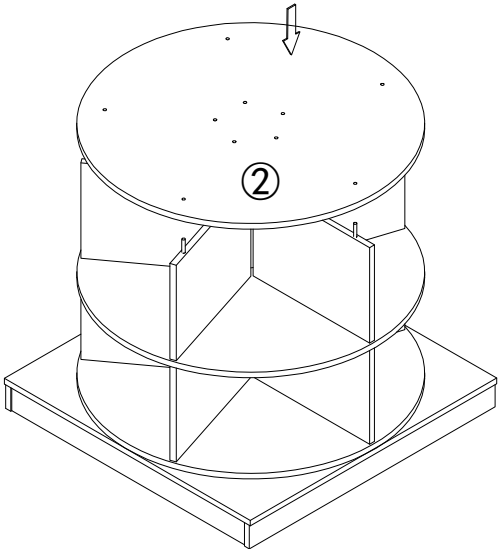
	Dx10pcs
	Fx1pcs



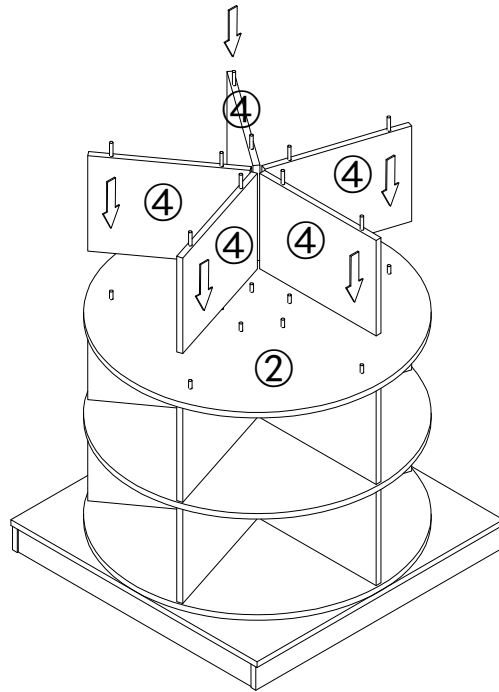
STEP13



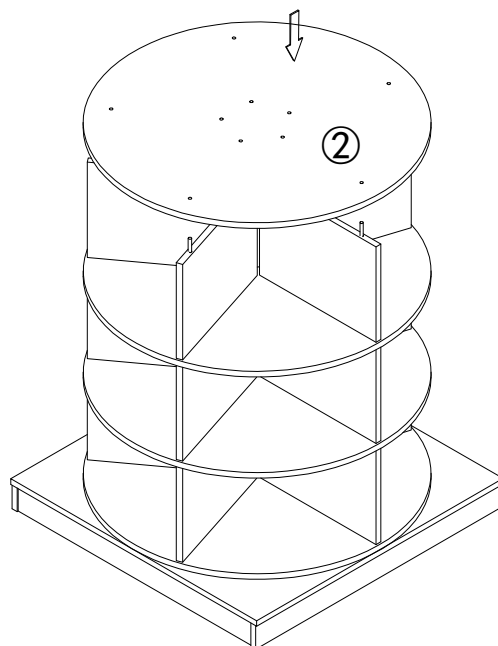
STEP14



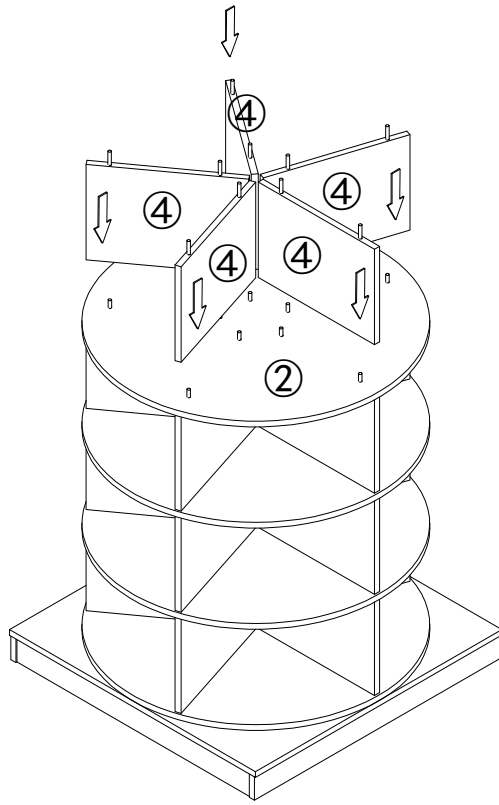
# STEP15



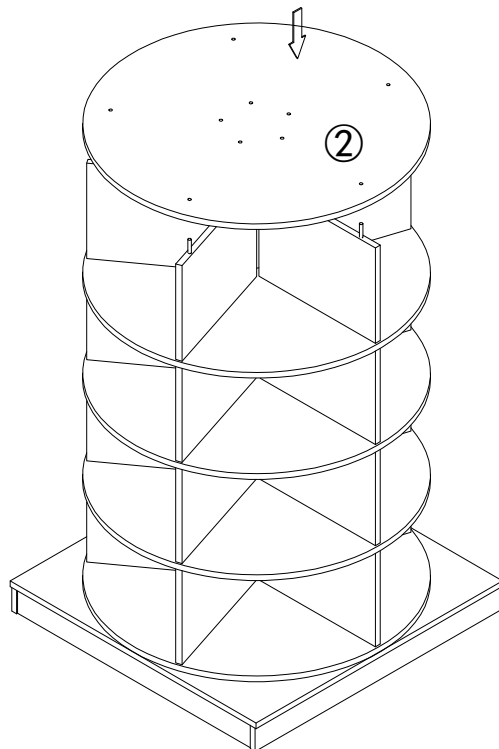
# STEP16



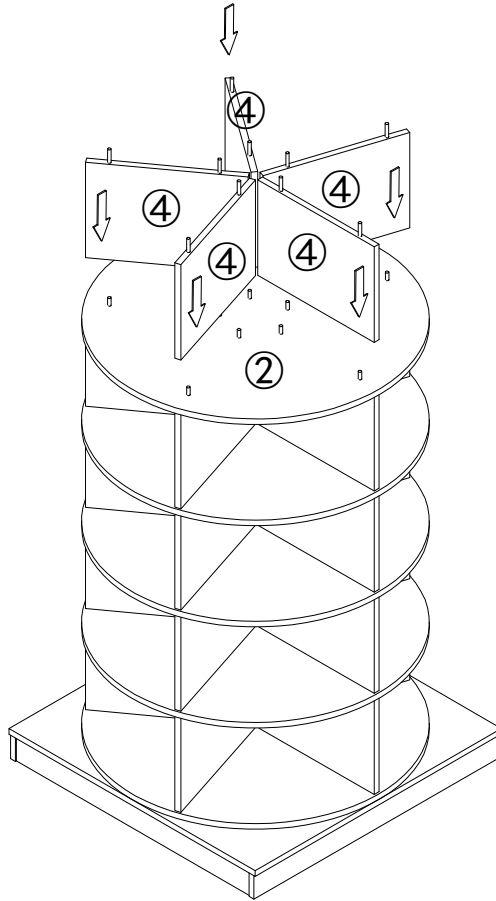
# STEP17



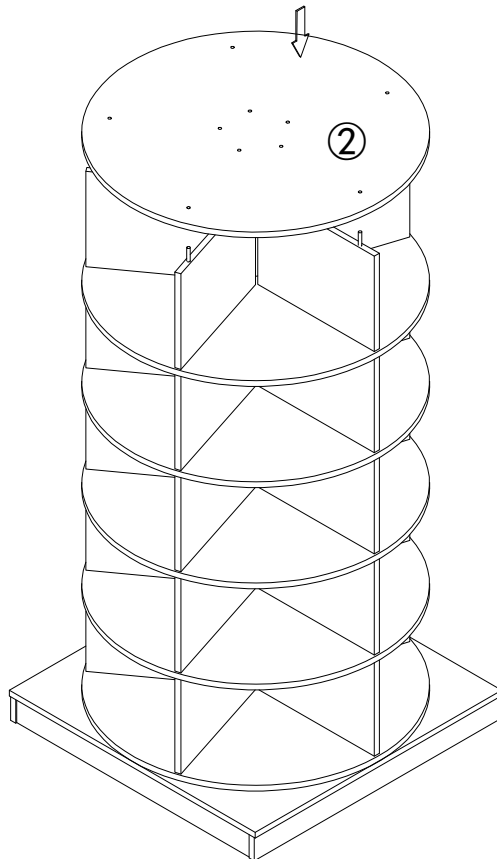
# STEP18



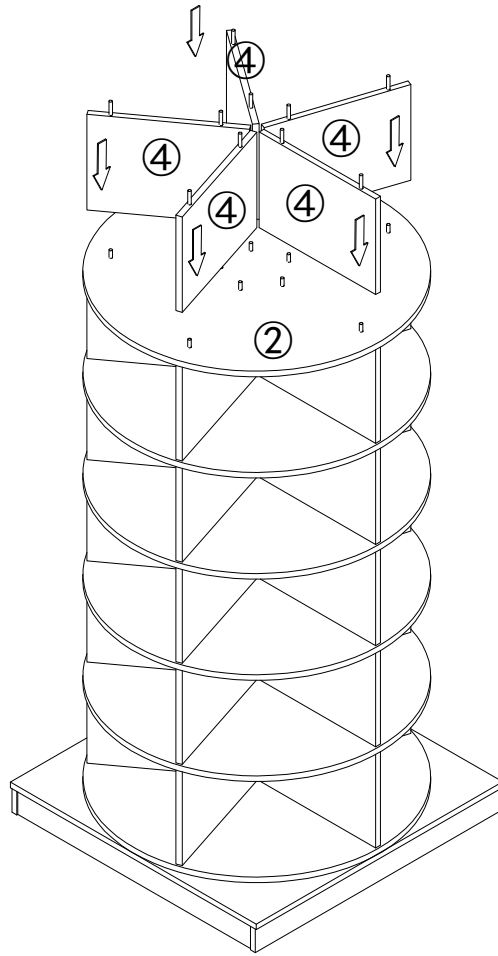
## STEP19



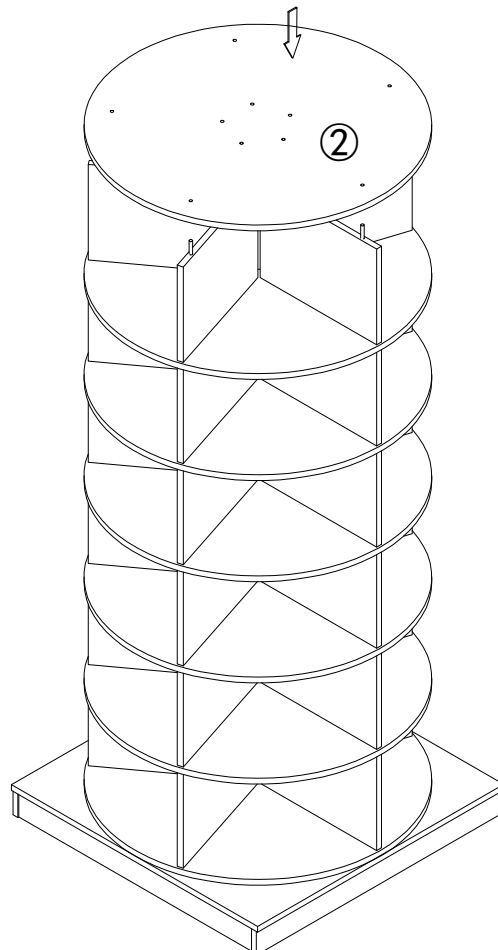
## STEP20



STEP21

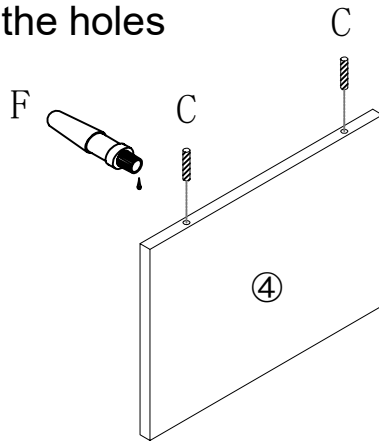


STEP22

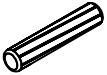



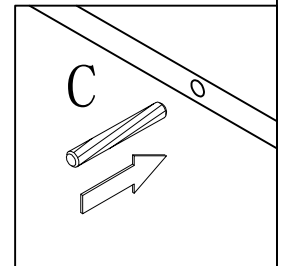
# STEP23

paint glue to wooden  
plug, then fix into the holes

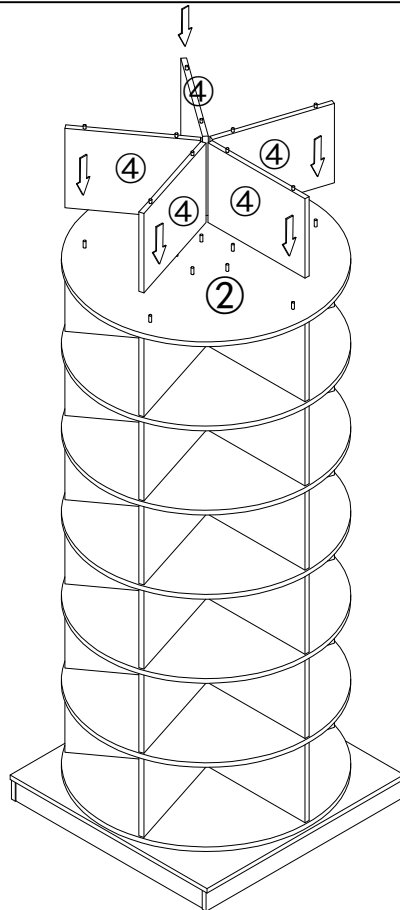


X5

	Cx10pcs
	Fx1pcs

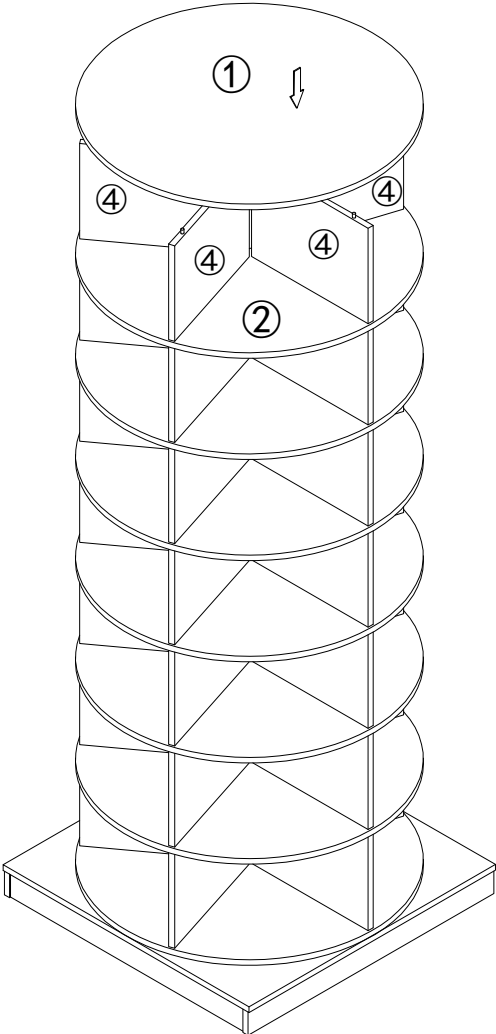


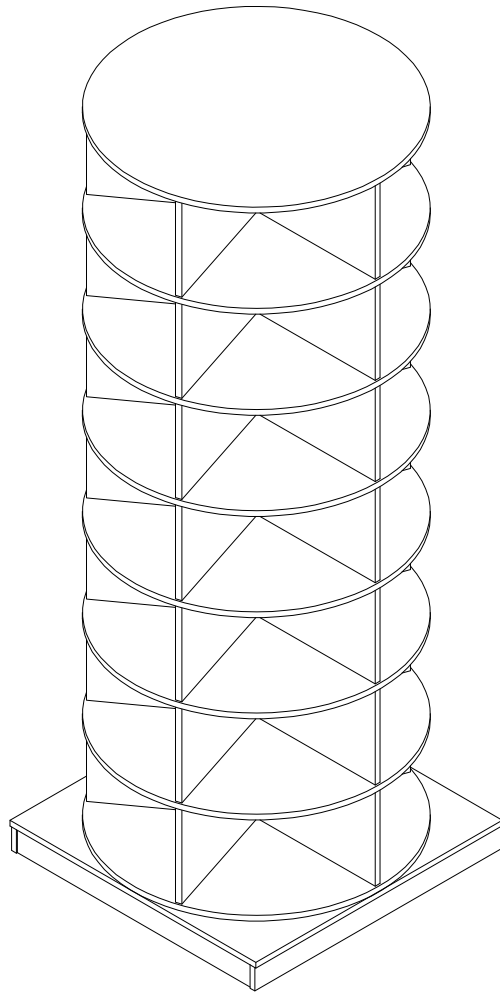
# STEP24





STEP25





Made in China