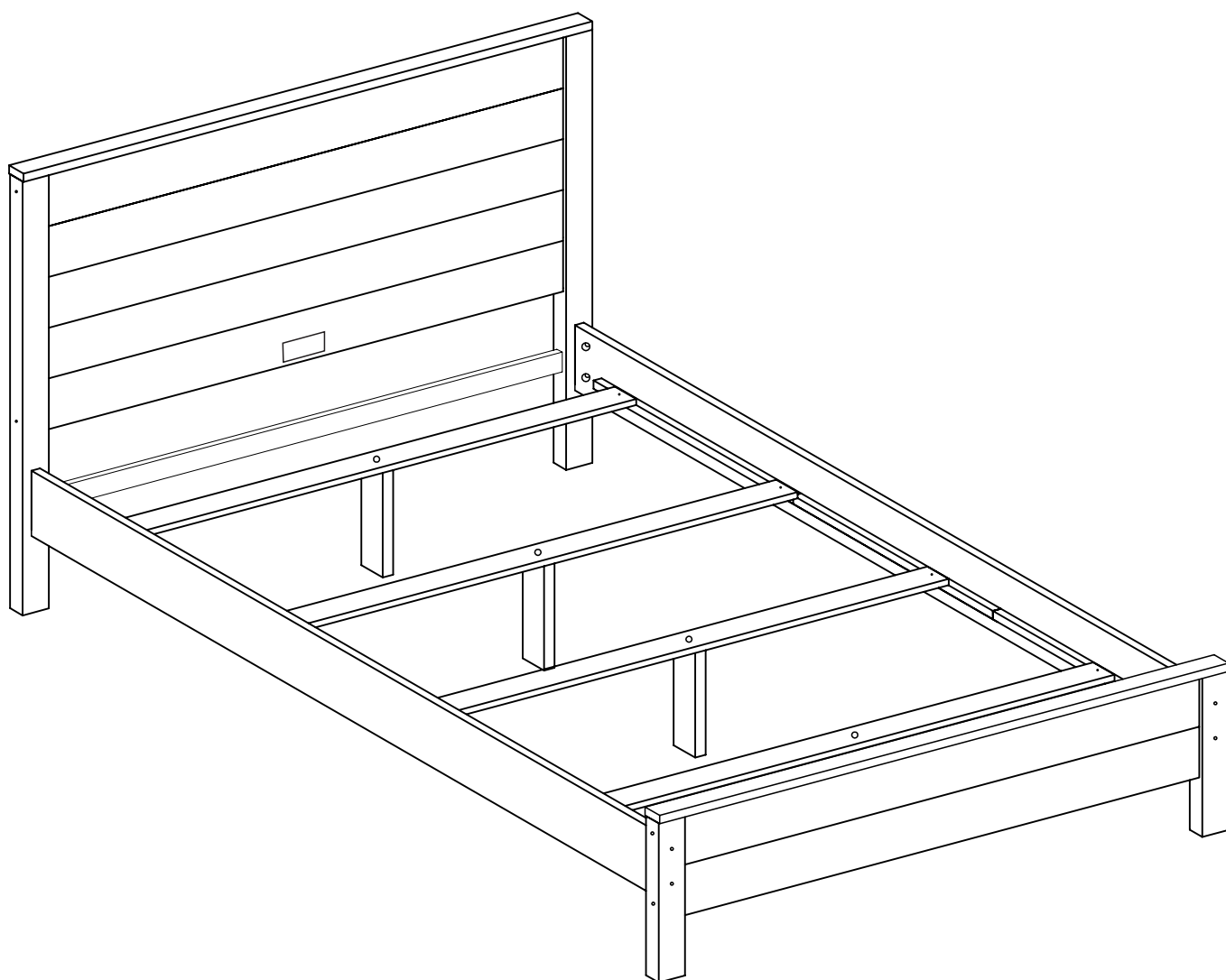


## ASSEMBLY INSTRUCTIONS

# Albany FULL Size Rustic Solid Wood Bed



We hold with high regard your decision to acquire our products and we make it our job to deliver the highest quality and the best furniture solutions to your home. In the unlikely event you notice any damage or parts missing, please, contact our customer service at [sales@yes4wood.com](mailto:sales@yes4wood.com) We will promptly arrange shipment of replacement.

## **Before assembly, be sure to read the following instructions carefully**

Your new YES4WOOD furniture is easily assembled. Below you will find our step-by-step suggestions to guide you through assembly in the most effective and careful way.

- Do not get rid of any packing material until the assembly is finished.
- Make sure that the surface on which you will assemble the product is soft in order not to scratch the finish or cause any indentations.
- Separate and place, if possible, all product's assembly hardware in a plastic tube to facilitate identification and count them all to make sure you have received all items.
- Look each wooden part closely to certify yourself that there are no scratches or any unlikely flaws or damages due to shipping or manufacturing. In the event you notice any problem, please contact us at [sales@yes4wood.com](mailto:sales@yes4wood.com), so we can promptly ship any replacement parts or hardware needed.
- You have acquired a solid 100% reforested pinewood furniture which may present natural features such as color variations, knots, and minor cracks, due to the natural grain of the wood. Those features are expected and actually are the beauty of a real solid wood furniture.

### **Our suggestions for taking good care of your new YES4WOOD furniture**

- Try not to place your wooden furniture in direct sun light to avoid or minimize damage due to UV rays.
- Try not to place your wooden furniture too close to any heat source such as household heaters.
- Always use a slightly water- wet cloth or furniture polish to clean your wooden furniture. Do not use any alcohol based product in cleaning.

**Now you are ready for assembly!**

**Have fun and enjoy your new YES4WOOD furniture!**

## INSTRUCTIONS FOR BED MODEL: ALBANY FULL SIZE.

### BE ADVISED:

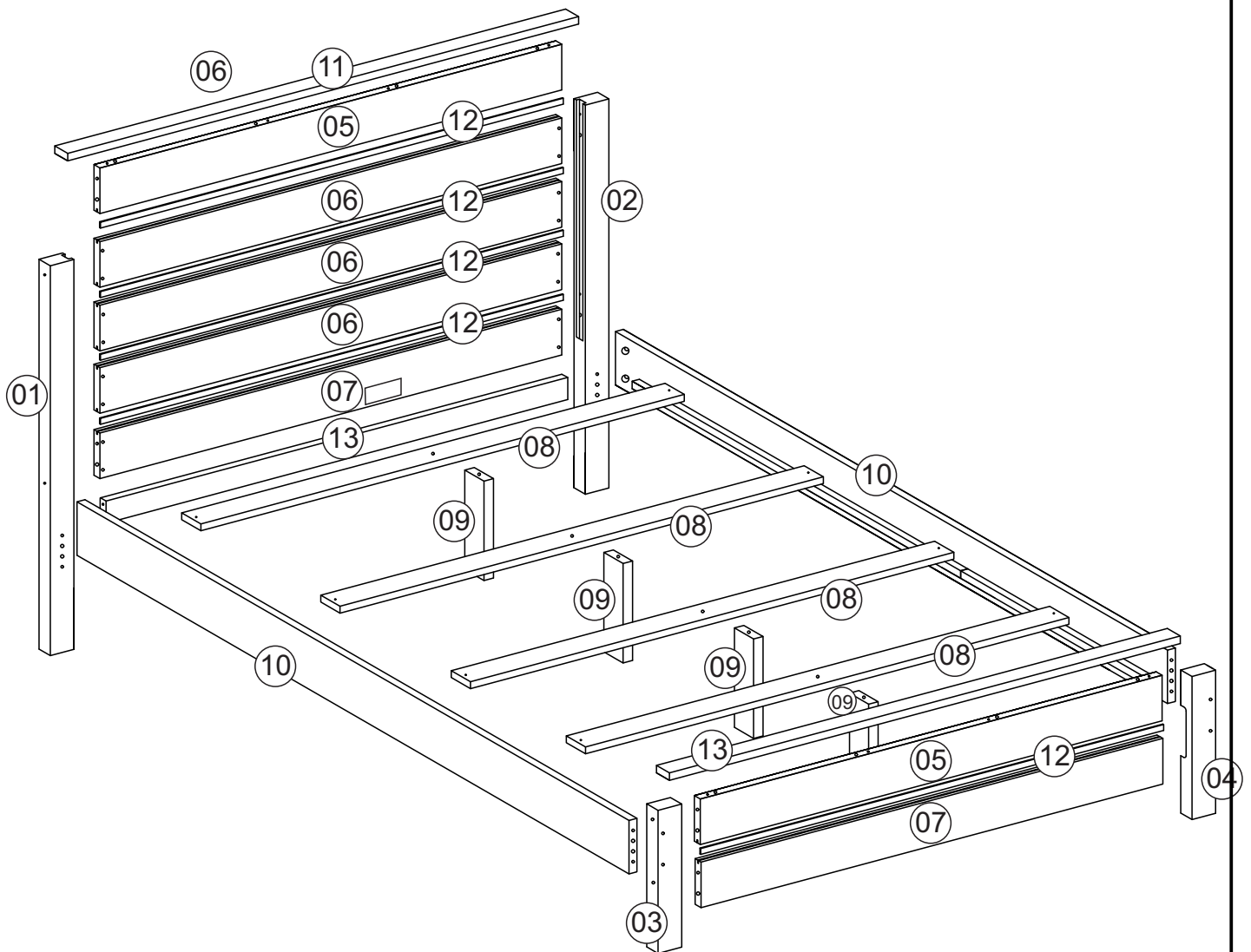
Before assembly, read all the instructions and take each step as presented below following the numbering order and descriptions. You may need the help of one or more persons for assembly.

**Attention:** The numbered and described procedures have been designed to a quality product outcome. Failure to follow the instructions presented below may result in unsteady and not safe furniture. Before using the furniture, inspect if all connections are fasten securely in position.

### REQUIRED ASSEMBLY TOOLS:

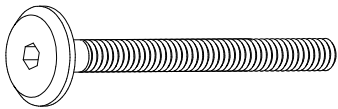

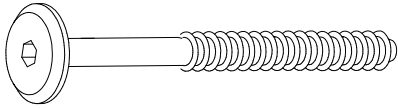
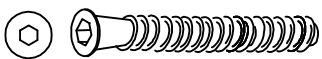
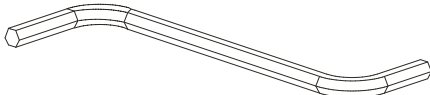
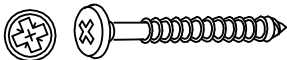
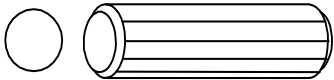
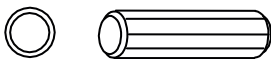

Philips Screwdriver

Hammer



PARTS LIST(SEPARATE PARTS OF BUNK BED ACCORDING TO NUMBERING)  
ATTENTION TO HARDWARE BELOW - SEPARATE AND CHECK

**ATTENTION!!! HARDWARE BELOW (SEPARATE AND CONFER)**

<b>A</b>		1/4" x 80	<b>08</b>
<b>B</b>		1/4"	<b>08</b>
<b>C</b>		7 x 100	<b>06</b>
<b>D</b>		7 x 50	<b>04</b>
<b>E</b>			<b>01</b>
<b>F</b>		4 x 30	<b>16</b>
<b>G</b>		10 x 40	<b>14</b>
<b>H</b>		8 x 30	<b>08</b>
<b>I</b>		4 x 25	<b>20</b>

**SAFETY INSTRUCTIONS AND WARNINGS**

-Make sure to use the recommended size mattress support in order to prevent falls or entrapment.

- DO NOT use substitute parts. In the event of needing any replacement of parts, contact our customer service to get instructions on how to proceed. (see instructions below \*)

- Before starting assembly, organize all hardware and components taking them out of the box, inspecting if all parts are free of unlikely damage and that there are no missing parts and/or components.

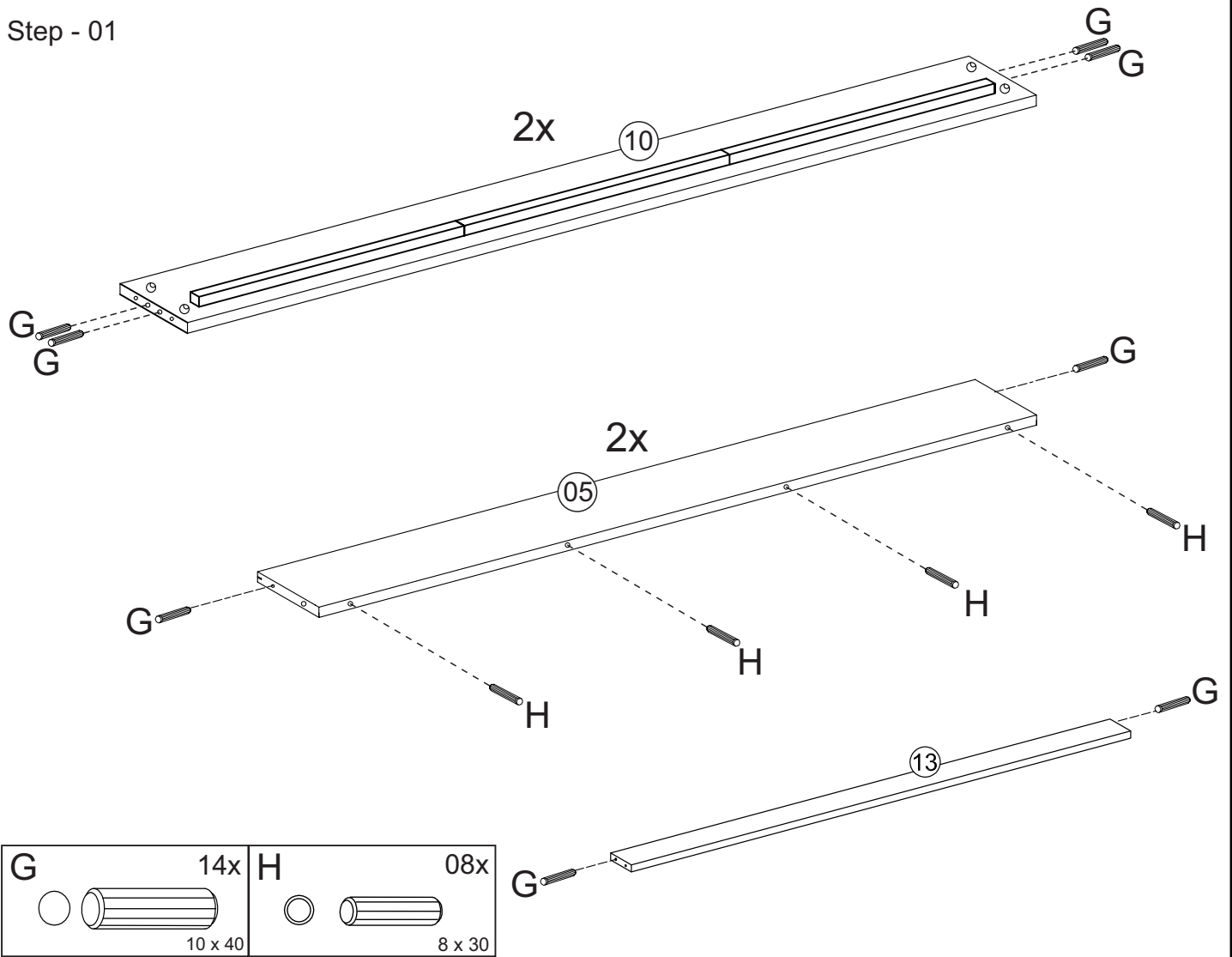
- DO NOT dispose of these instructions. Keep them for future reference.

**MATTRESS SIZE :**

THE RECOMMENDED MATTRESS SIZE FOR THIS BED: LENGHT - 74" TO 75", WIDHT - 53" TO 54". USE THE SUPPORT SLAT SYSTEM ENCLOSED IN THE BOX.

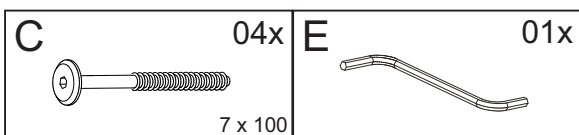
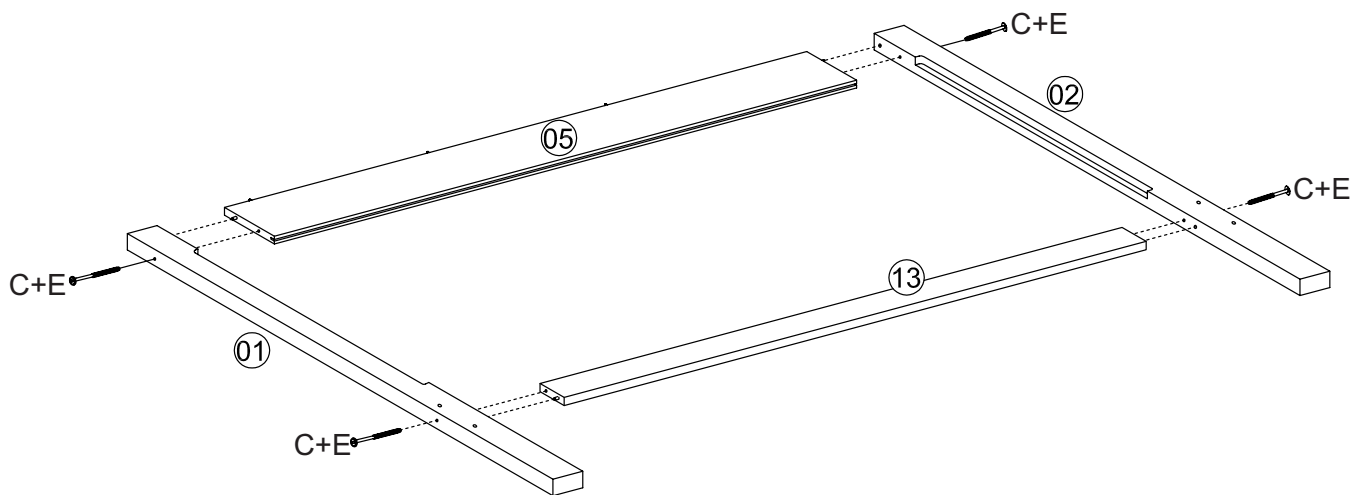
\* FOR REPLACEMENT PARTS, PLEASE CONTACT YES4WOOD AT: [sales@yes4wood.com](mailto:sales@yes4wood.com).

Step - 01

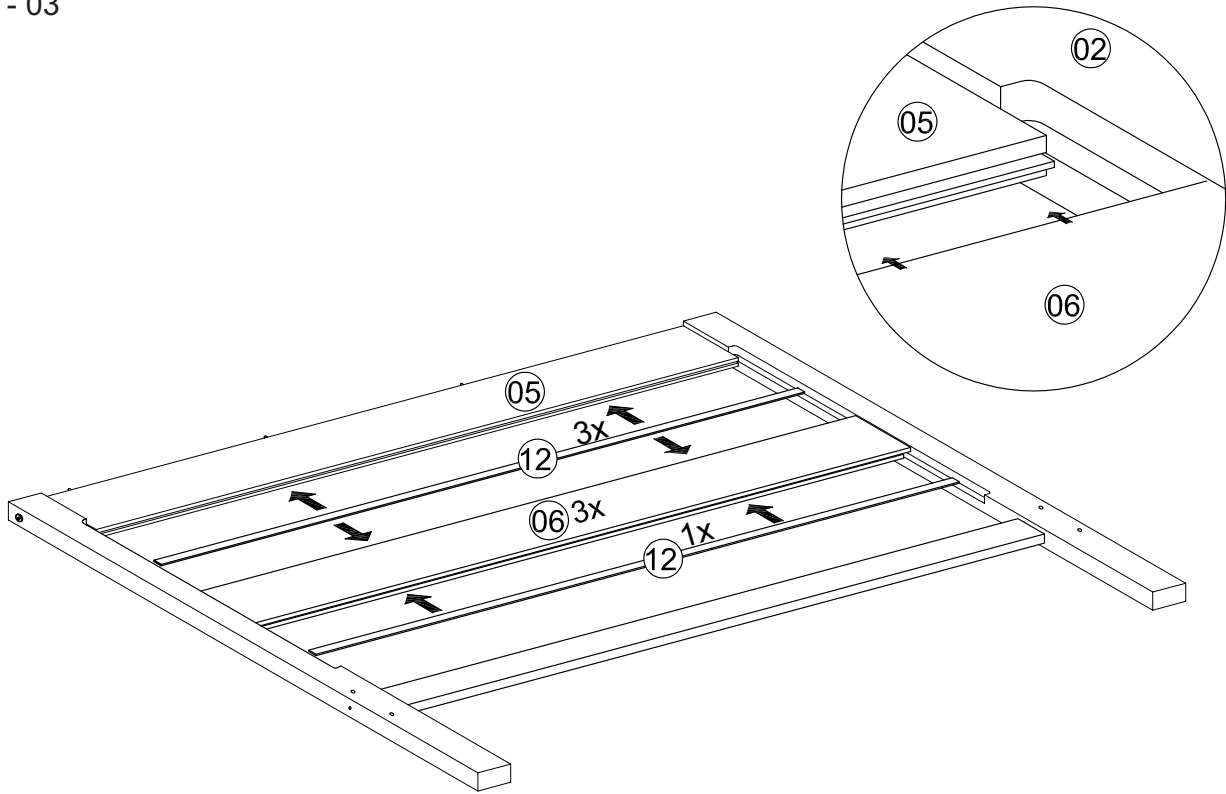


Step - 02

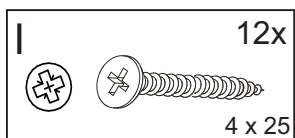
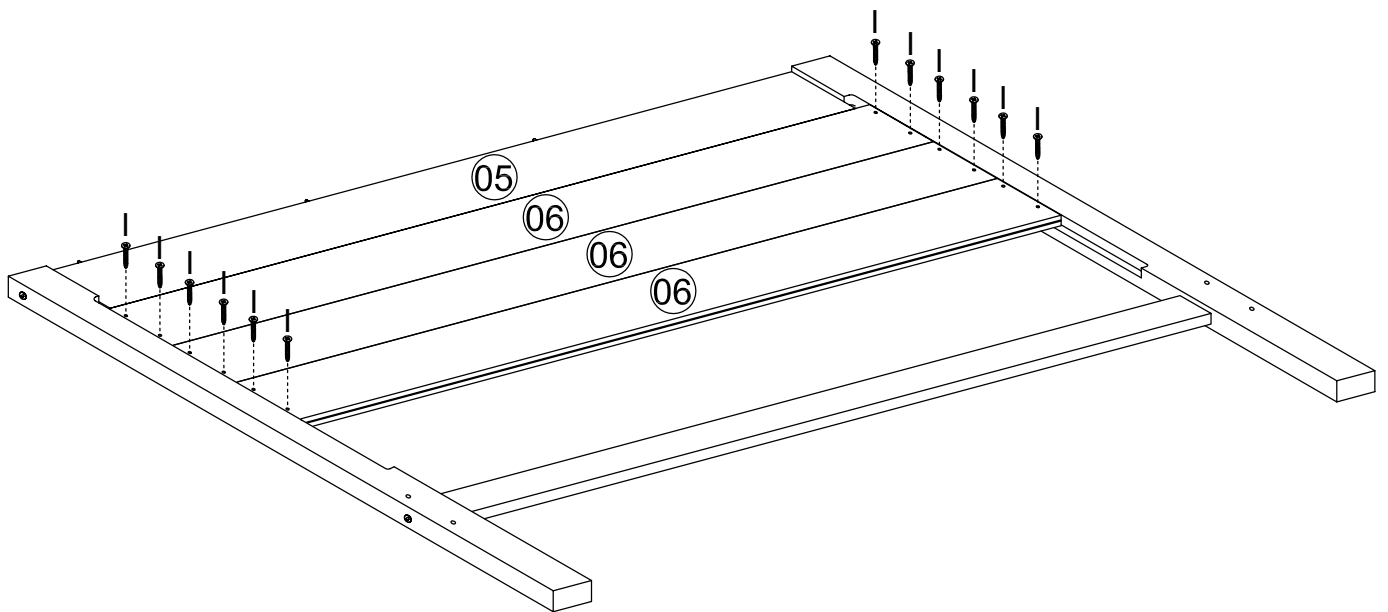
## HEADBOARD ASSEMBLY



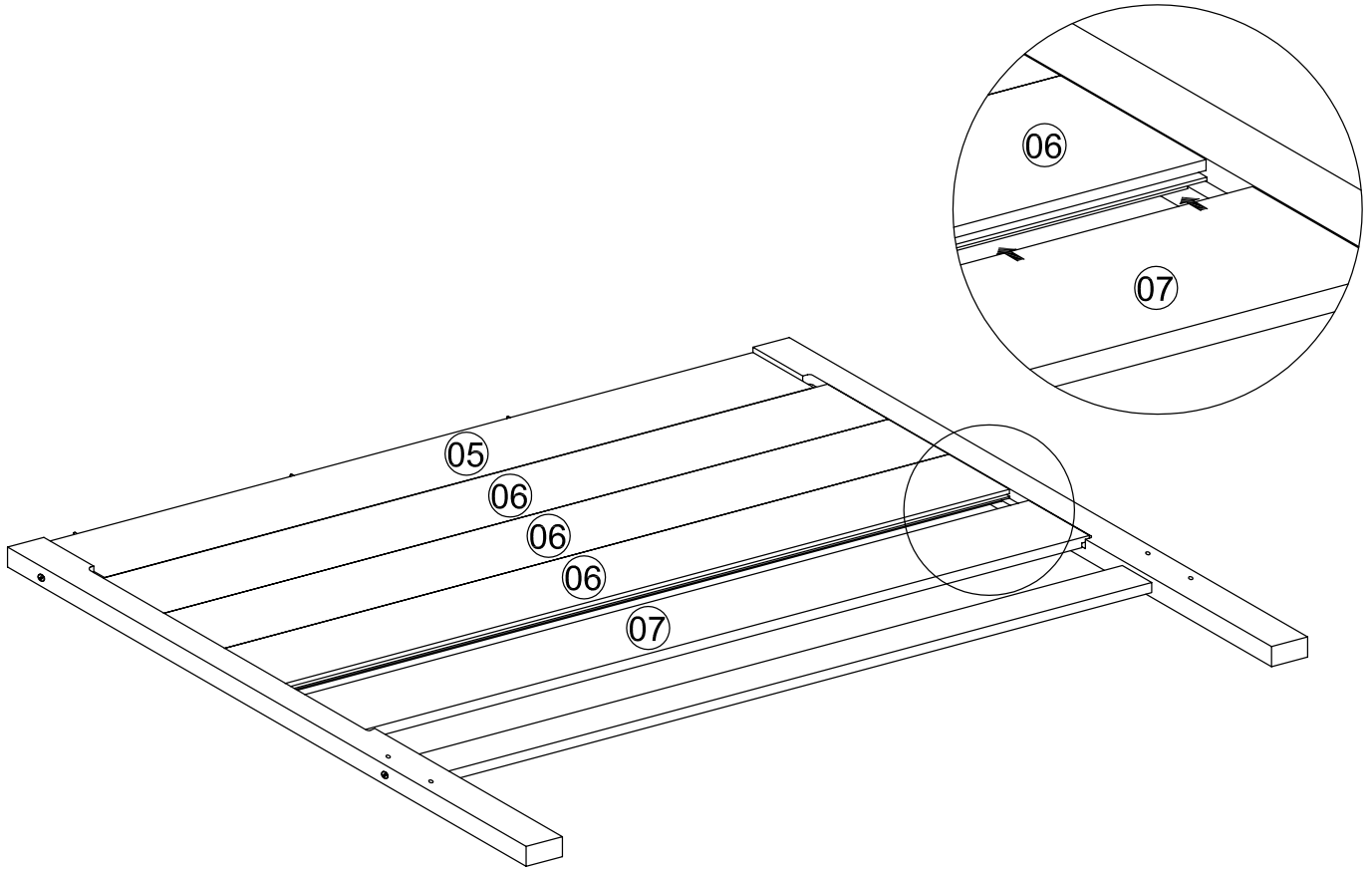
Step - 03



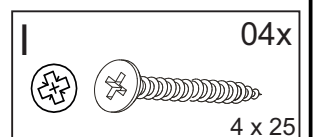
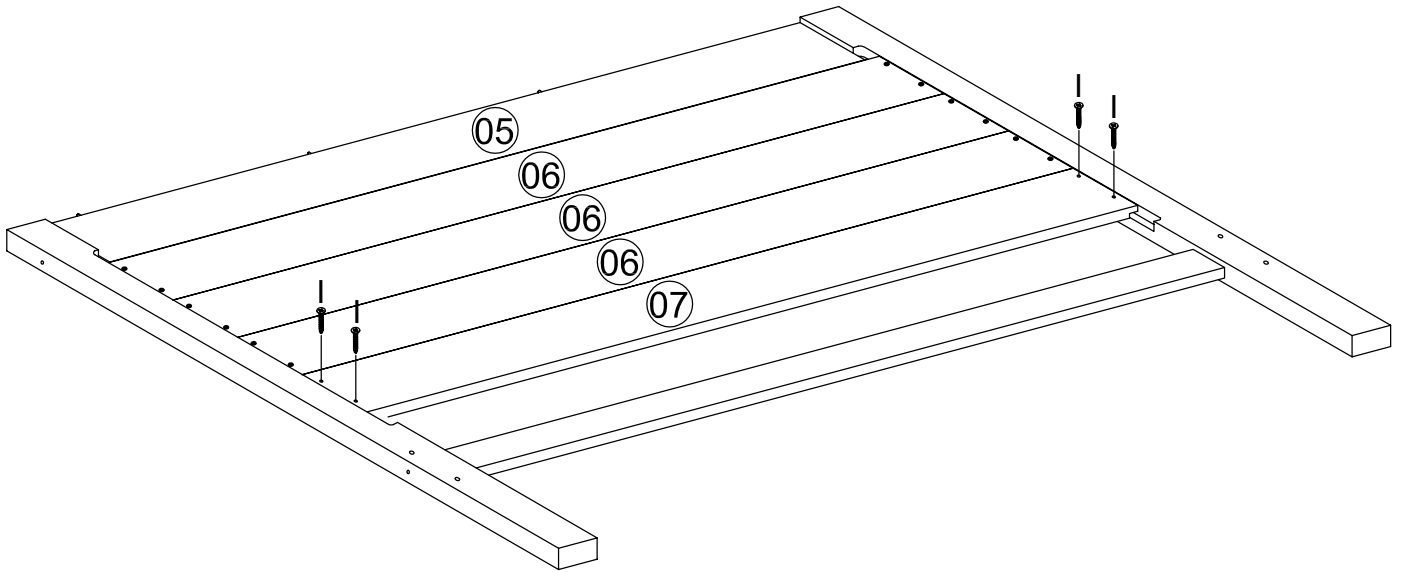
Step - 04



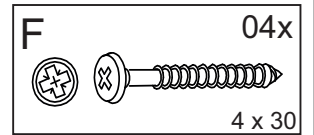
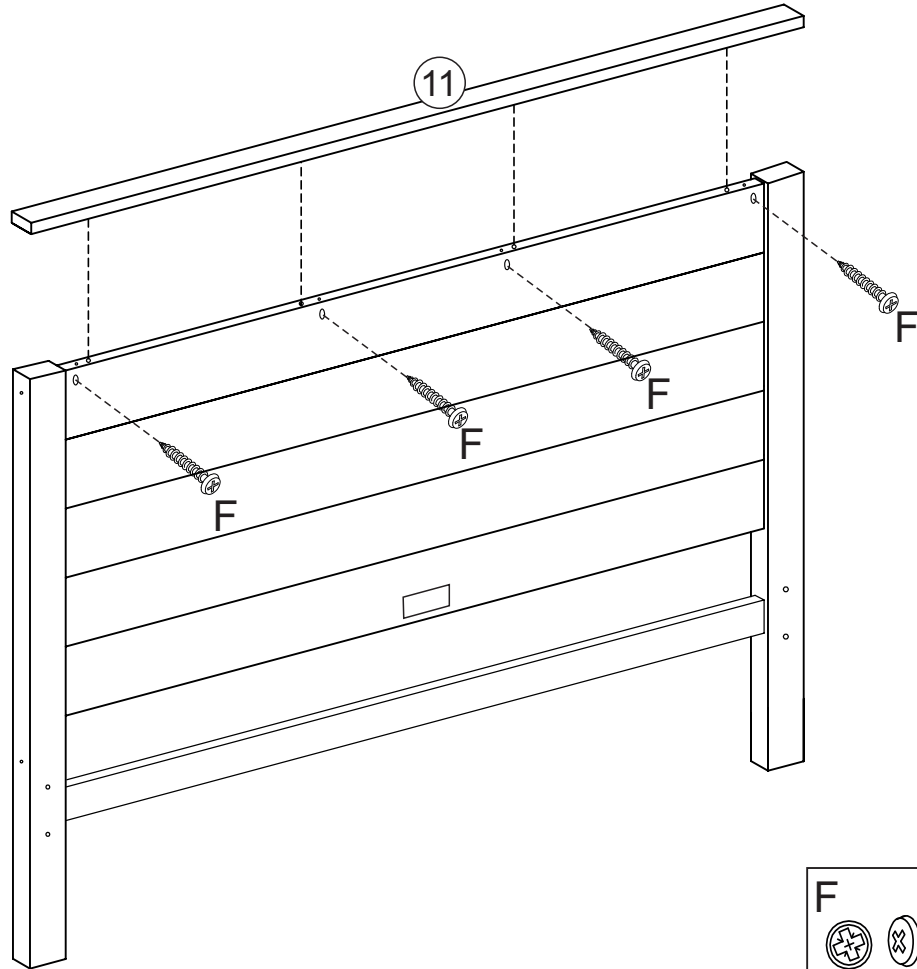
Step - 05



Step - 06

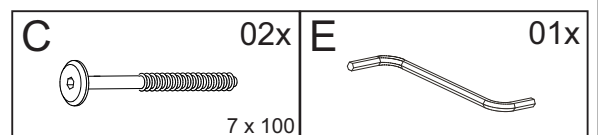
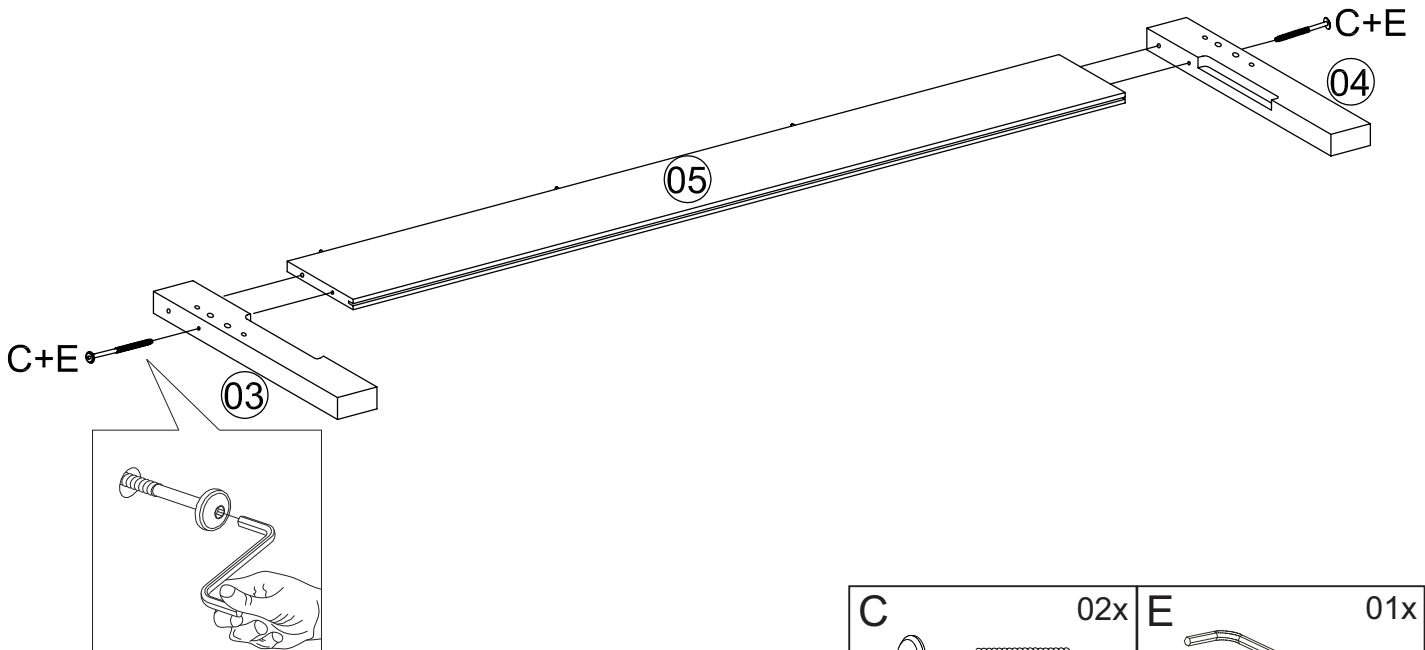


Step - 07



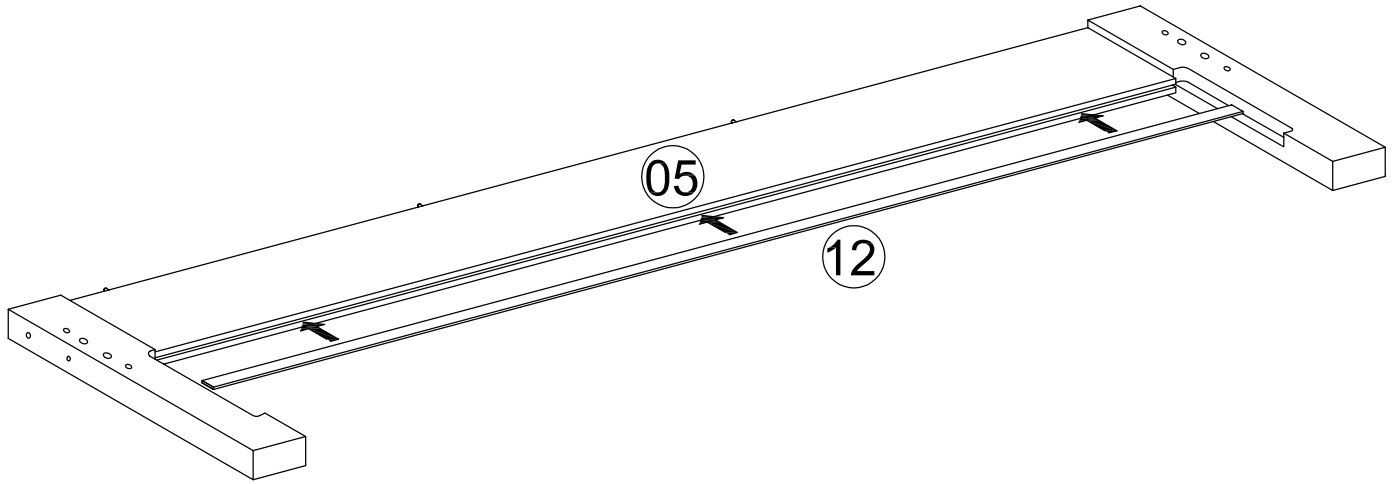
Step - 08

## FOOTBOARD ASSEMBLY

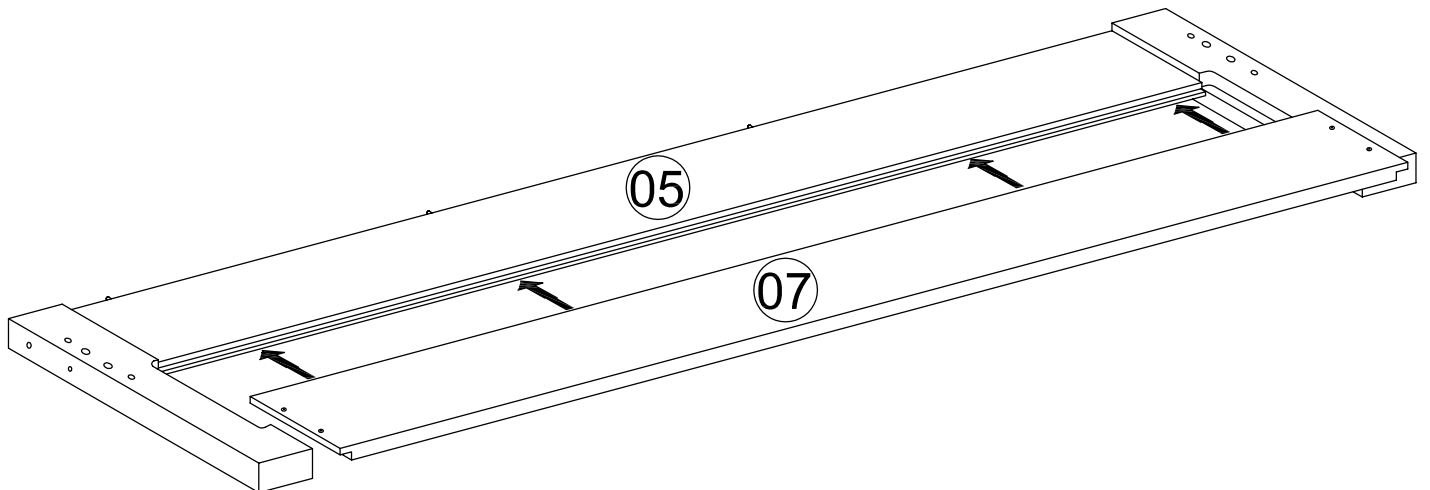




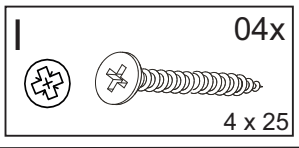
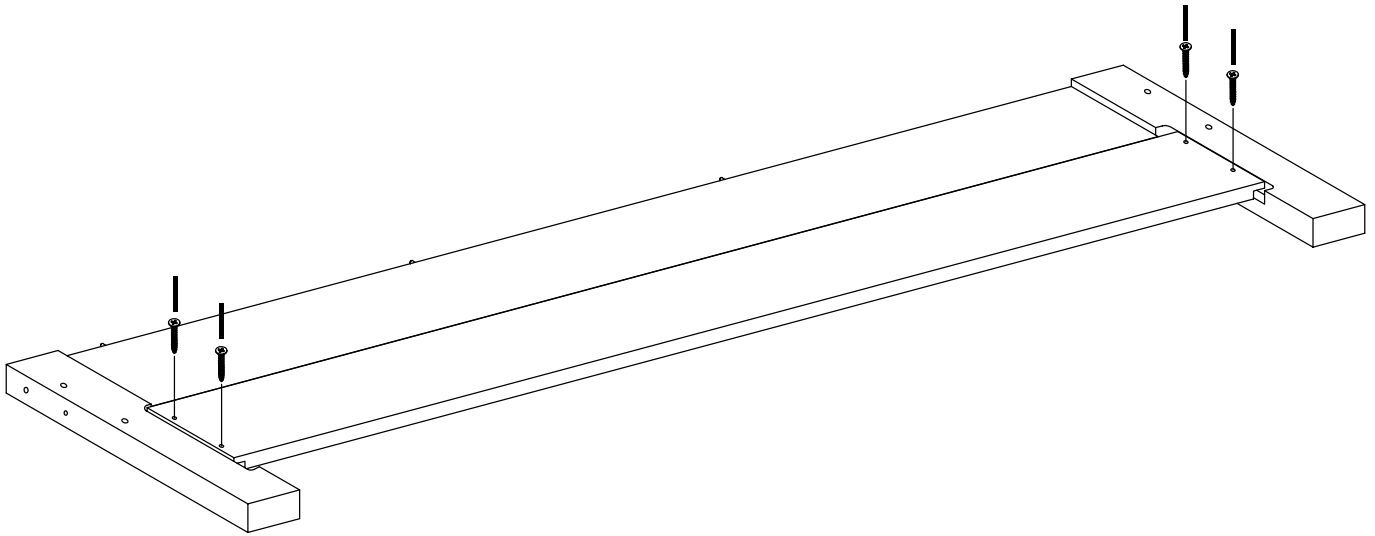
Step - 09



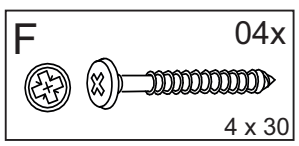
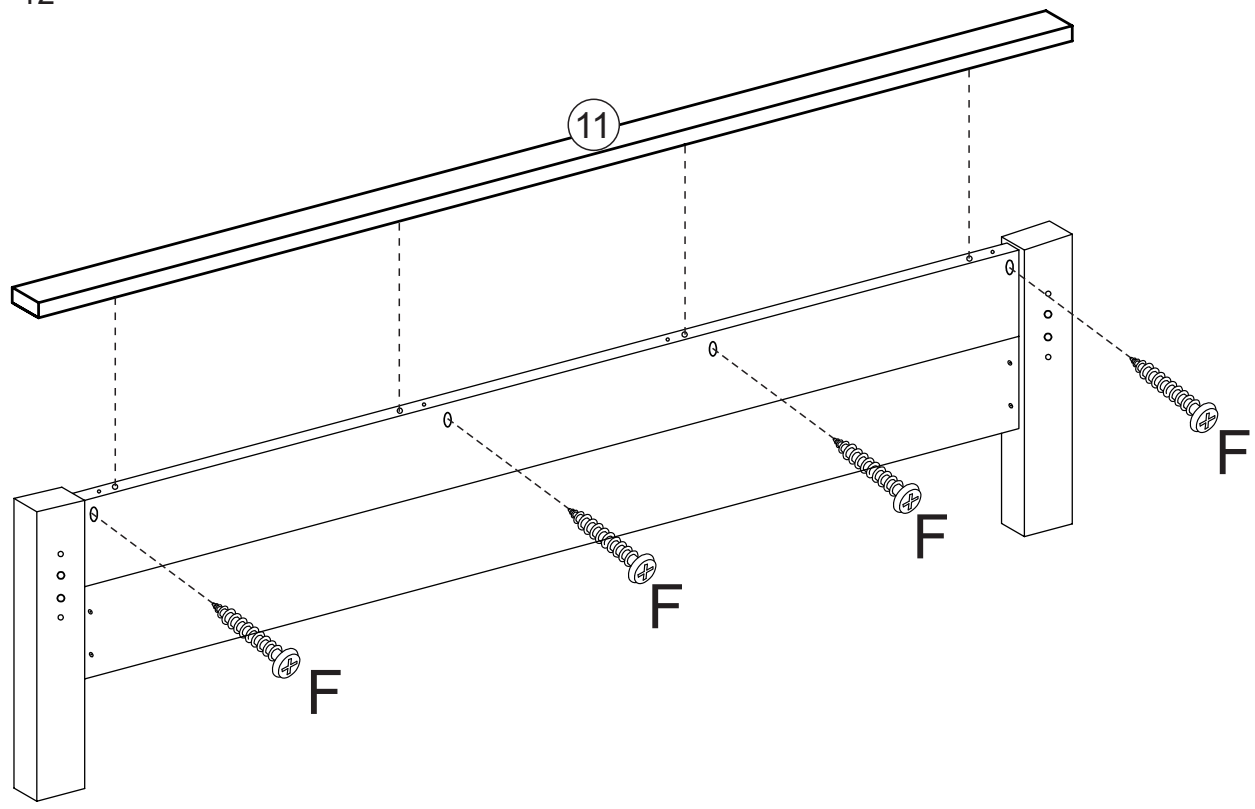
Step - 10



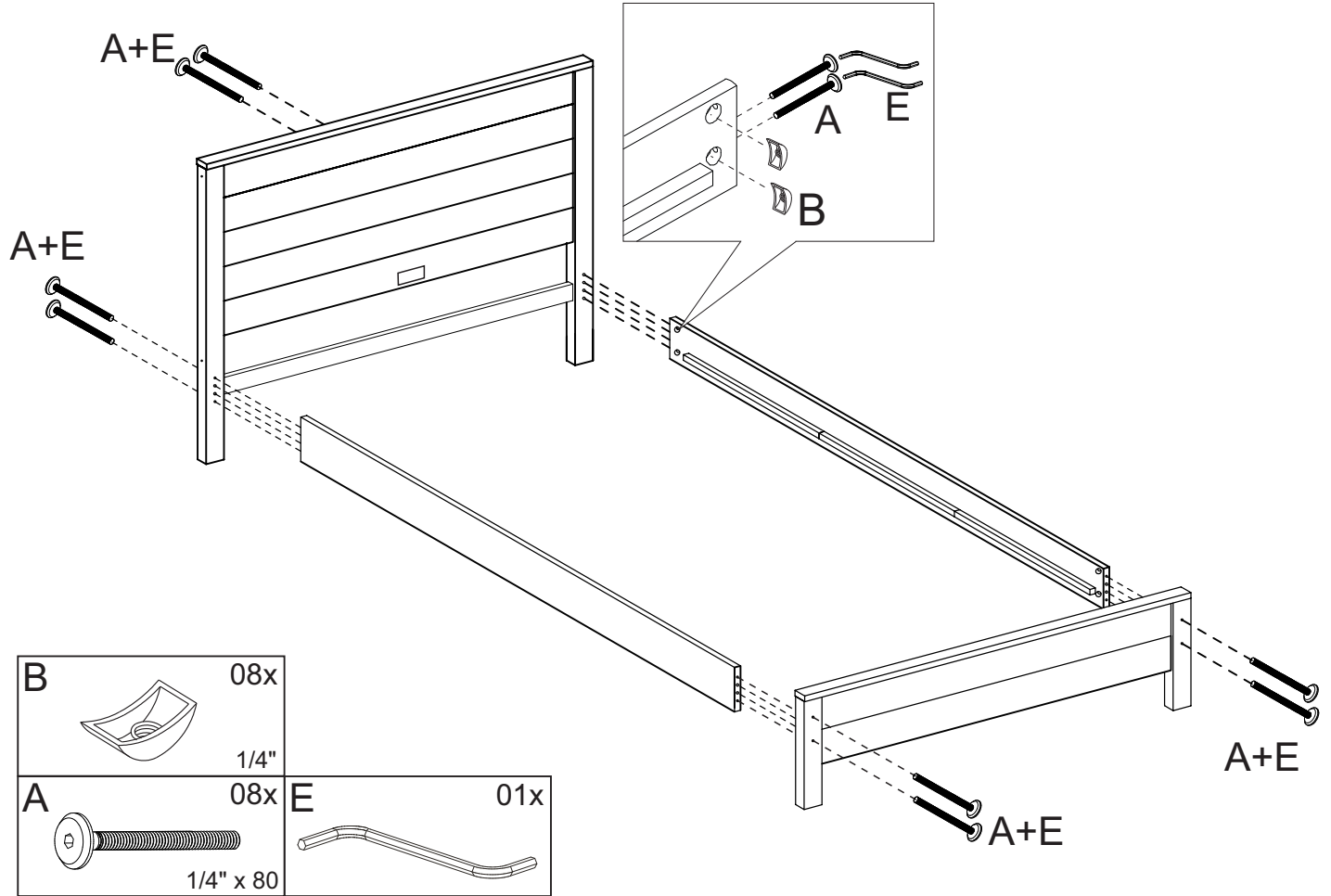
Step - 11



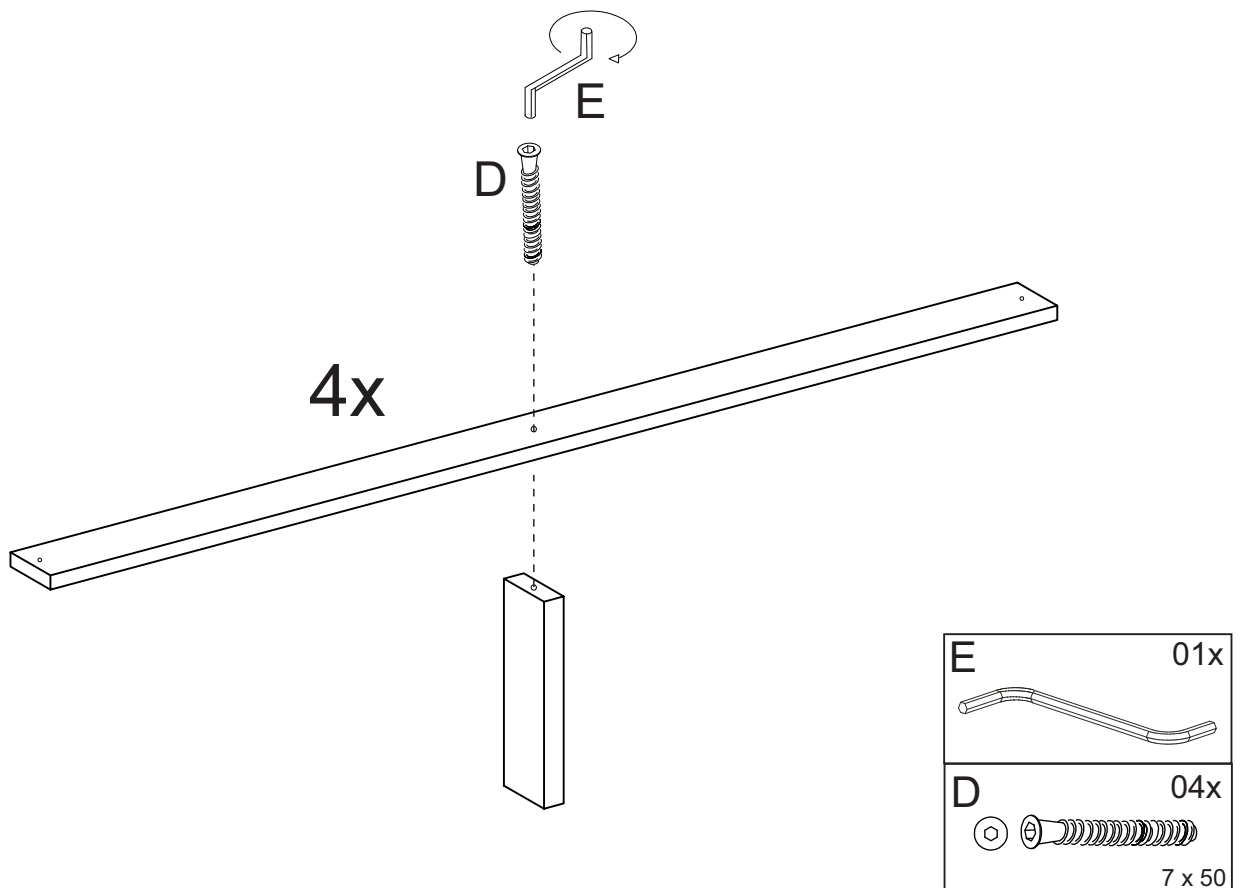
Step - 12



Step - 13



Step - 14



Step - 15

DET .A e B

